

**EN**

**Instructions for use**

**DE**

**Gebrauchsanweisung**

**FR**

**Mode d'emploi**

**NL**

**Gebruiksaanwijzing**



<b>ENGLISH</b>	Instructions for use	Page 4
<b>DEUTSCH</b>	Gebrauchsanweisung	Seite 22
<b>FRANÇAIS</b>	Mode d'emploi	Page 40
<b>NEDERLANDS</b>	Gebruiksaanwijzing	Pagina 58

# SAFETY INSTRUCTIONS

IMPORTANT to be read and observed

Before using the appliance, read these safety instructions. Keep them nearby for future reference.

These instructions and the appliance itself provide important safety warnings, to be observed at all times. The manufacturer declines any liability for failure to observe these safety instructions, for inappropriate use of the appliance or incorrect setting of controls.

⚠ Very young children (0-3 years) should be kept away from the appliance. Young children (3-8 years) should be kept away from the appliance unless continuously supervised. Children from 8 years old and above and persons with reduced physical, sensory or mental capabilities or lack of experience and knowledge can use this appliance only if they are supervised or have been given instructions on safe use and understand the hazards involved.

Children must not play with the appliance. Cleaning and user maintenance must not be carried out by children without supervision.

## PERMITTED USE

⚠ CAUTION: The appliance is not intended to be operated by means of an external switching device, such as a timer, or separate remote controlled system.

⚠ This appliance is intended to be used in household and similar applications such as: staff kitchen areas in shops, offices and other working environments; farm houses; by clients in hotels, motels, bed & breakfast and other residential

environments.

⚠ This appliance is not for professional use. Do not use the appliance outdoors.

⚠ The bulb used inside the appliance is specifically designed for domestic appliances and is not suitable for general room lighting within the home (EC Regulation 244/2009).

⚠ The appliance is designed for operation in places where the ambient temperature comes within the following ranges, according to the climatic class given on the rating plate. The appliance may not work properly if it is left for a long time at a temperature outside the specified range.

## Climatic Class Amb. T. (°C)

SN: From 10 to 32 °C

ST: From 16 to 38 °C;

N: From 16 to 32 °C

T: From 16 to 43 °C





This appliance does not contain CFCs. The refrigerant circuit contains R600a (HC). Appliances with Isobutane (R600a): isobutane is a natural gas without environmental impact, but is flammable. Therefore, make sure the refrigerant circuit pipes are not damaged, especially when emptying the refrigerant circuit.


⚠ WARNING: Do not damage the appliance refrigerant circuit pipes.


⚠ WARNING: Keep ventilation openings, in the appliance enclosure or in the built-in structure, clear of obstruction.





 **WARNING:** Do not use mechanical, electric or chemical means other than those recommended by the Manufacturer to speed up the defrost process.


 **WARNING:** Do not use or place electrical devices inside the appliance compartments if they are not of the type expressly authorised by the Manufacturer.

 **WARNING:** Ice makers and/or water dispensers not directly connected to the water supply must be filled with potable water only.


 Do not store explosive substances such as aerosol cans and do not place or use gasoline or other flammable materials in or near the appliance.

 Do not swallow the contents (non-toxic) of the ice packs (provided with some models). Do not eat ice cubes or ice lollies immediately after taking them out of the freezer since they may cause cold burns.

 For products designed to use an air filter inside an accessible fan cover, the filter must always be in position when the refrigerator is in function.


 Do not store glass containers with liquids in the freezer compartment since they may break. Do not obstruct the fan (if included) with food items.

After placing the food check that the door of the compartments closes properly, especially the freezer door.

 Damaged gaskets must be replaced as soon as possible.

 Use the refrigerator compartment only for storing fresh food and the freezer compartment only for storing

frozen food, freezing fresh food and making ice cubes.


 Avoid storing unwrapped food in direct contact with internal surfaces of the refrigerator or freezer compartments.


Appliances could have special compartments (Fresh Food Compartment, Zero Degree Box,...). Unless differently specified in the specific booklet of product, they can be removed, maintaining equivalent performances.



C-Pentane is used as blowing agent in the insulation foam and it is a flammable gas.

## **INSTALLATION**

 The appliance must be handled and installed by two or more persons - risk of injury. Use protective gloves to unpack and install - risk of cuts.

 Installation, including water supply (if any), electrical connections and repairs must be carried out by a qualified technician. Do not repair or replace any part of the appliance unless specifically stated in the user manual. Keep children away from the installation site. After unpacking the appliance, make sure that it has not been damaged during transport. In the event of problems, contact the dealer or your nearest Aftersales Service. Once installed, packaging waste (plastic, styrofoam parts etc.) must be stored out of reach of children - risk of suffocation. The appliance must be disconnected from the power supply before any installation operation - risk of electric shock. During installation, make sure the appliance does not damage the power cable - risk of fire or electric shock. Only activate the appliance

when the installation has been completed.

⚠ Be careful not to damage the floors (e.g. parquet) when moving the appliance. Install the appliance on a floor or support strong enough to take its weight and in a place suitable for its size and use. Make sure the appliance is not near a heat source and that the four feet are stable and resting on the floor, adjusting them as required, and check that the appliance is perfectly level using a spirit level. Wait at least two hours before switching the appliance on, to ensure that the refrigerant circuit is fully efficient.

All dimensions and spacing needed for installation of the appliance are in the Installation Instruction booklet.

⚠ **WARNING:** When positioning the appliance, ensure the supply cord is not trapped or damaged.

⚠ **WARNING:** To avoid a hazard due to instability, positioning or fixing of the appliance must be done in accordance with the manufacturer instructions.

It's forbidden to place the refrigerator in such way that the metal hose of gas stove, metal gas or water pipes, or electrical wires are in contact with the refrigerator back wall (condenser coil).

## **ELECTRICAL WARNINGS**

⚠ It must be possible to disconnect the appliance from the power supply by unplugging it if plug is accessible, or by a multi-pole switch installed upstream of the socket in accordance with the wiring rules and the appliance must be earthed

in conformity with national electrical safety standards.

⚠ Do not use extension leads, multiple sockets or adapters. The electrical components must not be accessible to the user after installation. Do not use the appliance when you are wet or barefoot. Do not operate this appliance if it has a damaged power cable or plug, if it is not working properly, or if it has been damaged or dropped.

⚠ If the supply cord is damaged, it must be replaced with an identical one by the manufacturer, its service agent or similarly qualified persons in order to avoid a hazard - risk of electric shock.


⚠ **WARNING:** Do not locate multiple portable socket-outlets or portable power supplies at the rear of the appliance.

## **CLEANING AND MAINTENANCE**

⚠ **WARNING:** Ensure that the appliance is switched off and disconnected from the power supply before performing any maintenance operation; never use steam cleaning equipment - risk of electric shock.

⚠ Do not use abrasive or harsh cleaners such as window sprays, scouring cleansers, flammable fluids, cleaning waxes, concentrated detergents, bleaches or cleansers containing petroleum products on plastic parts, interior and door liners or gaskets. Do not use paper towels, scouring pads, or other harsh cleaning tools.

## DISPOSAL OF PACKAGING MATERIALS

The packaging material is 100% recyclable and is marked with the recycle symbol .


The various parts of the packaging must therefore be disposed of responsibly and in full compliance with local authority regulations governing waste disposal.

## DISPOSAL OF HOUSEHOLD APPLIANCES

This appliance is manufactured with recyclable or reusable materials. Dispose of it in accordance with local waste disposal regulations.

For further information on the treatment, recovery and recycling of household electrical appliances, contact your local authority, the collection service for household waste or the store where you purchased the appliance. This appliance is marked in compliance with European Directive 2012/19/EU, Waste Electrical and Electronic Equipment (WEEE).

By ensuring this product is disposed of correctly, you will help prevent negative consequences for the environment and human health.

The symbol  on the product or on the accompanying documentation indicates that it should not be treated as domestic waste but must be taken to an appropriate collection centre for the recycling of electrical and electronic equipment.

## ENERGY SAVING TIPS

To guarantee adequate ventilation follow installation instructions.

Insufficient ventilation at the back of the product increases energy consumption and decreases cooling efficiency.

Frequent door opening might cause an increase in Energy Consumption.

The internal temperature of the appliance and the Energy Consumption may be affected also by the ambient temperature, as well as location of the appliance.

Temperature setting should take into consideration these factors. Reduce door opening to a minimum.

When thawing frozen food, place it in the refrigerator. The low temperature of the frozen products cools the food in the refrigerator.

Allow warm food and drinks to cool down before placing in the appliance.

Positioning of the shelves in the refrigerator has no impact on the efficient usage of energy. Food should be placed on the shelves in such way to ensure proper air circulation (food should not touch each other and distance between food and rear wall should be kept).

You can increase storage capacity of frozen food by removing baskets and, if present, Stop Frost shelf.

Do not worry about noises coming from the compressor which are normal operation noises.

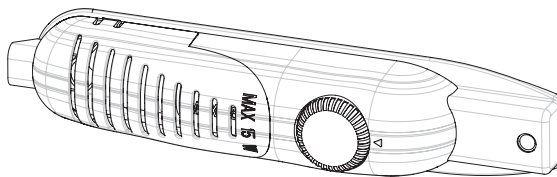


The Gulf Conformity Marking on the product indicates the conformity with all the requirements of the Gulf Technical Regulation for Low Voltage Electrical Equipment and Appliances BD-142004-01.

# HOW TO OPERATE THE APPLIANCE

## Thermostat setting

- The thermostat automatically regulates the inside temperature of the fridge. By rotating the knob from position 1 to 5, colder temperatures can be obtained.
- The “•” position shows thermostat is closed and no cooling will take place.
- For short-term storage of food in the fridge, you can set the knob between minimum and medium positions (1-3).
- For long-term storage of food in the fridge, you can set knob to the medium position (3-4).



**Note that:** The ambient temperature, temperature of the freshly stored food and how often the door is opened, affects the temperature in the fridge. If required, change the temperature setting.

- When you first switch on the appliance, you should ideally try to run it without any food in for 24 hours and not open the door. If you need to use it straight away, try not to store a large quantity of food inside it.
- If the unit is switched off or unplugged, you must allow at least 5 minutes before restarting in order not to damage the compressor.
- LARDERS (without star rating): Larders (coolers) do not have a freezer compartment but can cool down to 4 - 6°C.

## Warnings about temperature adjustments

- It is not recommended that you operate your fridge in environments colder than 10°C in terms of its efficiency.
- Temperature adjustments should be made according to the frequency of door openings and the quantity of food kept inside the fridge.
- Your fridge should be operated up to 24 hours according to the ambient temperature without interruption after being plugged in to be completely cooled. Do not open doors of your fridge frequently and do not place much food inside it in this period.
- A 5 minute delaying function is applied to prevent damage to the compressor of your fridge, when you take the plug off and then plug it on again to operate it or when an energy breakdown occurs. Your fridge will start to operate normally after 5 minutes.
- Your fridge is designed to operate in the ambient temperature intervals stated in the standards, according to the climate class stated in the information label. We do not recommend operating your fridge out of stated temperatures value limits in terms of cooling effectiveness.
- This appliance is designed for use at an ambient temperature within the 16°C - 32°C range.

# FOOD STORAGE IN THE APPLIANCE

- The fridge is used for storing fresh food for few days.
- Do not place food in direct contact with the rear wall of the refrigerator. Leave some space around food to allow the circulation of air.
- Do not place hot food or evaporating liquid in the refrigerator.
- Always make sure food is wrapped or stored in closed containers.
- To reduce humidity and avoid formation of frost, never place liquids in unsealed containers in the refrigerator.
- We recommend that you loosely wrap meat and store it on the glass shelf just above the vegetable bin, where the air is cooler.
- Store fruit and vegetable items loose in the crisper containers.
- To prevent the cold air escaping, try not to open the door too often, and not leave the door open for a long time.

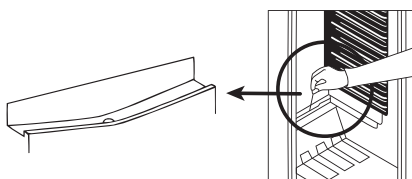
# CLEANING AND MAINTENANCE

- Disconnect the unit from the power supply before cleaning.
- Do not clean the appliance by pouring water.
- Make sure that no water enters the lamp housing and other electrical components.
- The refrigerator should be cleaned periodically using a solution of bicarbonate of soda and lukewarm water.
- Clean the accessories separately with soap and water Do not clean them in the dishwasher.
- Do not use abrasive products, detergents or soaps. After washing, rinse with clean water and dry carefully. When you have finished cleaning, reconnect the plug to the mains supply with dry hands.
- Clean the condenser with a broom at least twice a year. This will help you to save on energy costs and increase productivity.

## THE POWER SUPPLY MUST BE DISCONNECTED.

### Defrosting

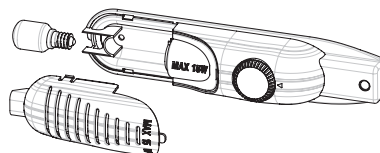
- Defrosting occurs automatically in the fridge during operation; the water is collected by the evaporation tray and evaporates automatically.
- The evaporation tray and the water drain hole should be cleaned periodically with the defrost drain plug to prevent the water from collecting at the bottom of the fridge instead of flowing out.
- You can also clean the drain hole by pouring ½ glass of water down it.



### Replacing the light bulb

When replacing the bulb of the fridge;

1. Unplug the unit from the power supply,
2. Press the hooks on the sides of the light cover top and remove the light cover
3. Change the present light bulb with a new one of not more than 15 W.
4. Replace the light cover and after waiting 5 minutes plug the unit.



### Replacing LED Lighting

If your fridge has LED lighting contact the help desk as this should be changed by authorized personnel only.

# TRANSPORTATION AND CHANGING OF INSTALLATION POSITION

## Transportation and changing of Installation position

- The original packages and foamed polystyrene (PS) can be retained if required.
- During transportation, the appliance should be secured with a wide string or a strong rope. The instructions written on the corrugated box must be followed while transporting.
- Before transporting or changing the installation position, all the moving objects (ie,shelves,crisper...) should be taken out or fixed with bands in order to prevent them from getting damaged.

**Carry your fridge in the upright position.**

# BEFORE CALLING YOUR AFTER SALES SERVICE

If your fridge is not working properly, it may be a minor problem, therefore check the following.

## **The appliance does not operate,**

### **Check if:**

- There is a power failure.
- The mains plug is not plugged in properly, or is loose.
- The thermostat setting is on position "".
- The socket is defective. To check this, plug in another appliance that you know is working into the same socket.

## **The appliance performs poorly,**

### **Check if:**

- You have overloaded the appliance.
- The door is not closed properly.
- There are not enough ventilation ducts in the kitchen unit as mentioned in the installation manual.

## **If there is noise:**

The cooling gas which circulates in the fridge circuit may make a slight noise (bubbling sound) even when the compressor is not running. Do not worry, this is quite normal. If you hear different sounds, check if:

- The appliance is installed firmly as described in the installation manual.
- Objects on the appliance are vibrating.

## **If there is water in the lower part of the fridge,**

### **Check if:**

- The drain hole for water is not clogged (use defrost drain plug to clean the drain hole).

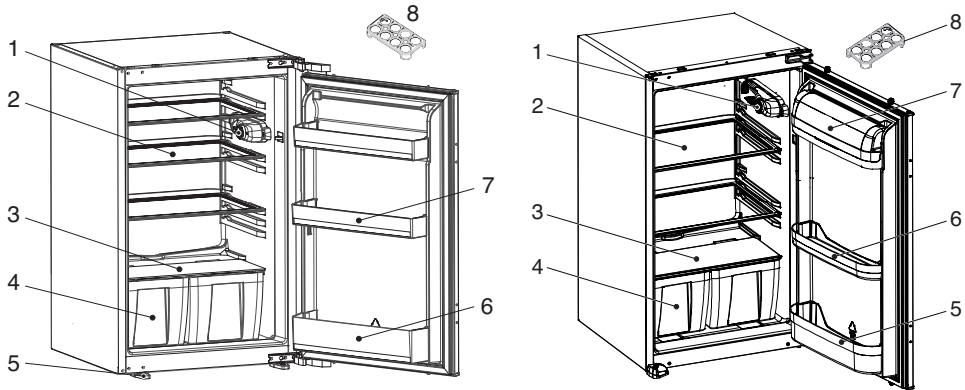
## **Recommendations**

- When there is no power, to prevent any damage to the compressor, you should unplug the refrigerator. You should delay plugging in 5 – 10 minutes after power is restored.
- If you unplug the refrigerator for any reason you should wait at least 5 min to replug. This will avoid damage to the refrigerator's components.
- The cooling unit of your refrigerator is hidden at the rear of the appliance. Therefore, water droplets or icing may form on the rear surface of your fridge due to the operation of the compressor at specified intervals. This is normal, there is no need to perform a defrosting operation unless the icing is excessive.
- If you do not intend to use your fridge for a long time (e.g. in summer holidays), turn the thermostat to the «.» position. After defrosting, clean your fridge and leave the door open to prevent humidity and smells.
- If the problem persists after you have followed all the instructions above, please consult to the nearest Authorised Service Centre.
- The appliance you have purchased is designed for domestic use and can only be used at home and for the stated purposes. It is not suitable for commercial or common use. If the consumer uses the appliance in a way that does not comply with this, we emphasise that the manufacturer and the dealer will not be responsible for any repair and failure within the guarantee period.

## **Tips for saving energy**

1. Install the appliance in a cool, well ventilated room , but not in direct sunlight and not near a heat source (radiator, cooker ... etc). Otherwise use an insulating plate.
2. Allow warm food and drinks to cool down outside the appliance.
3. Cover drinks or other liquids when placing them in the appliance Otherwise humidity increases in the appliance. Therefore, the working time gets longer. Also covering drinks and other liquids helps to preserve smell and taste.
4. Try to avoid keeping the doors open for long periods or opening the doors too frequently as warm air will enter the cabinet and cause the compressor to switch on unnecessarily often.
5. Keep the covers of the different temperature compartments (crisper, chiller ... etc ) closed
6. Door gasket must be clean and pliable. Replace gaskets if worn.

# THE PARTS OF THE APPLIANCE AND THE COMPARTMENTS



This presentation is only for information about the parts of the appliance.  
Parts may vary according to the appliance model.

1. Thermostat knob
2. Fridge shelves
3. Crisper cover
4. Crispers
5. Left & Right feet
6. Bottle shelf
7. Door shelves
8. Egg holder

1. Thermostat knob
2. Fridge shelves
3. Crisper cover
4. Crispers
5. Bottle shelf
6. Door shelves
7. Butter shelf cover \*
8. Egg holder

\* In some models



## Installation instructions and door reversibility for versions with Rail hinges

! It is recommended that the installation be performed by authorized technical staff

! Before installation, read the instructions carefully.

! Fit the refrigerator/freezer in stable kitchen units only.

! Cabinet dimensions are changed by material of trim **flap**<sup>1</sup>.

1. If material of trim flap<sup>1</sup> is plastic, look at (Table.1/B1) for cabinet dimensions.
2. If material of trim flap<sup>1</sup> is metal, look at (Table.1/B2) for cabinet dimensions.

! If necessary, reverse the door according to instructions.

1. See fig.A for the necessary attachment components.
2. Insert trim **flap**<sup>1</sup> into slot and screw by **screws**<sup>6</sup>. (fig.D)
3. Pass the power cord through ventilation shaft and position it so that the appliance could be easily plugged in once it has been installed. (fig.B - fig.C)
4. Take out the **trim gasket**<sup>4</sup> located on the side panel of the appliance and stick it on reverse side of the door hinges of the appliance. (fig.D - fig.E)
5. Raise the appliance and slide into the kitchen unit.
6. Push the appliance to the reverse side of the door hinges providing that the **trim gasket**<sup>2</sup> covers the space between the appliance and the kitchen unit.
7. Align the front feet with front surface of the kitchen unit. (fig.F)
8. Screw the front feet by using **screws**<sup>5</sup>. (fig.F)
9. Screw **trim flap**<sup>1</sup> to kitchen unit using **screws**<sup>5</sup>. (fig.G)
10. Screw **guides**<sup>3</sup> to appliance door with **screws**<sup>6</sup>. (fig.H)
11. Lean appliance door to unit door as it is opened at right angle.
12. Slide rails<sup>4</sup> into **guides**<sup>3</sup> aligning the groove. (fig.H)
13. Screw the **rails**<sup>4</sup> to the unit door with **screws**<sup>5</sup>. (fig.H)
14. Set 1~2 mm gap on handle side between unit itself and unit door by adjusting **guides**<sup>3</sup>. That is vital for appliance performance. (fig.H)

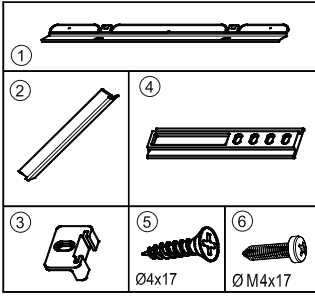


Figure A

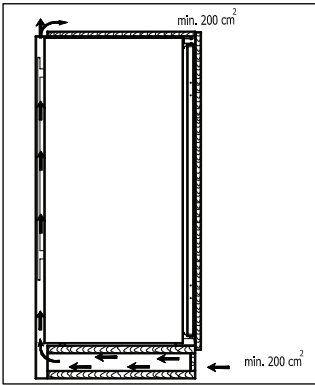


Figure B

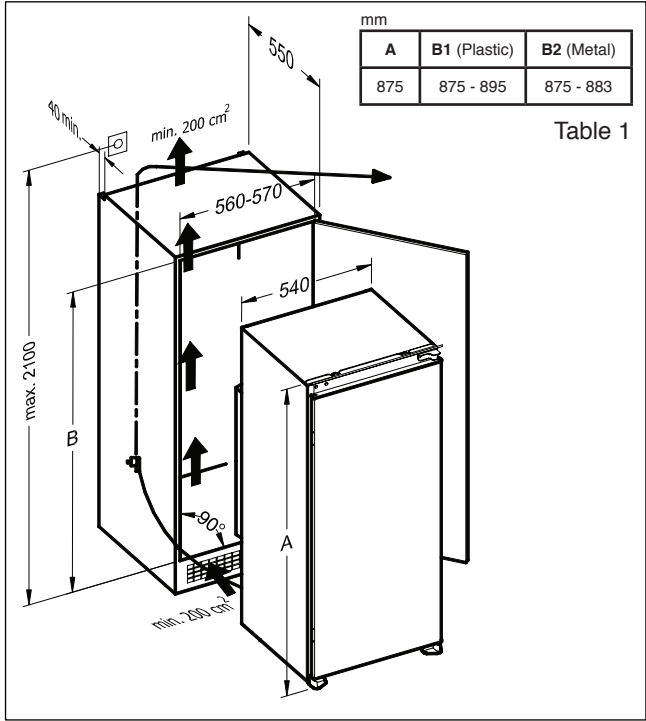


Table 1

Figure C

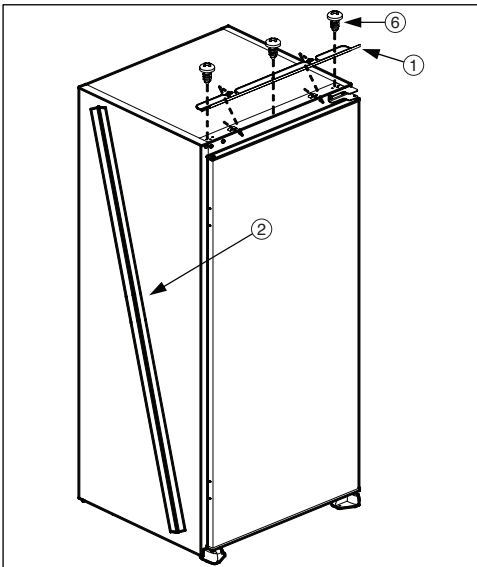


Figure D

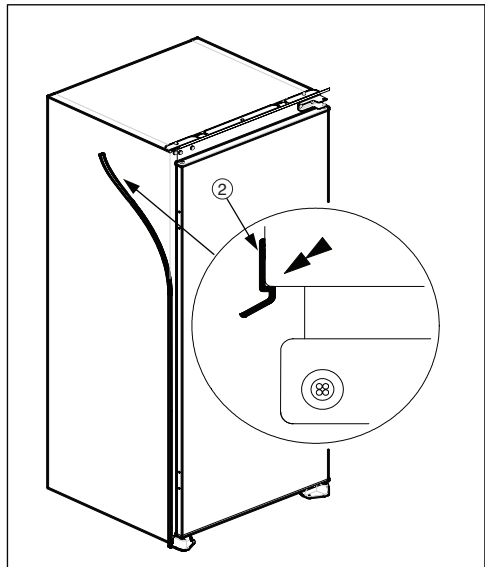


Figure E

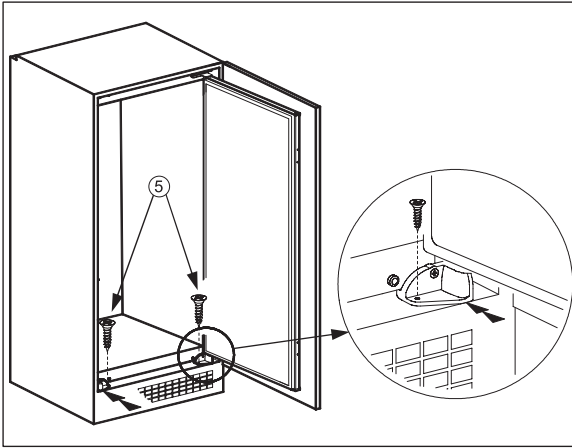


Figure F

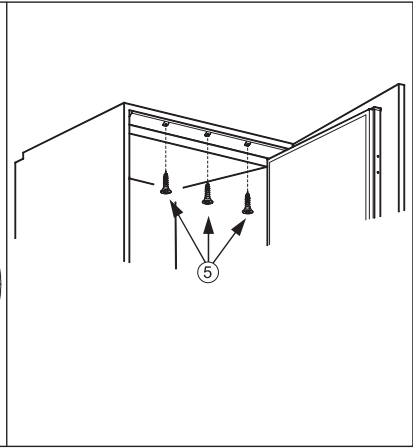


Figure G

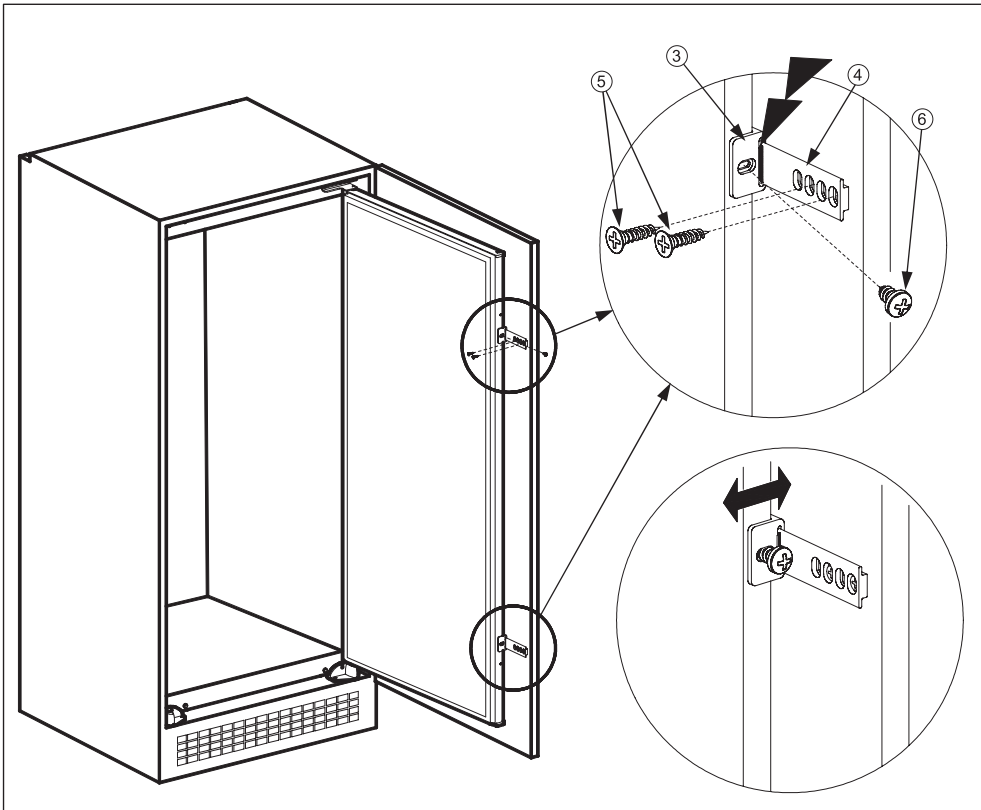


Figure H

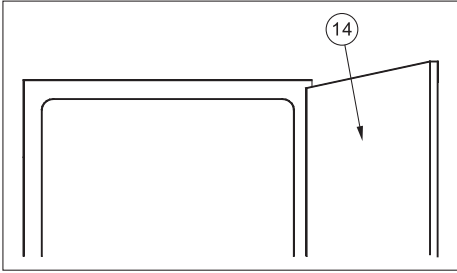


Figure J

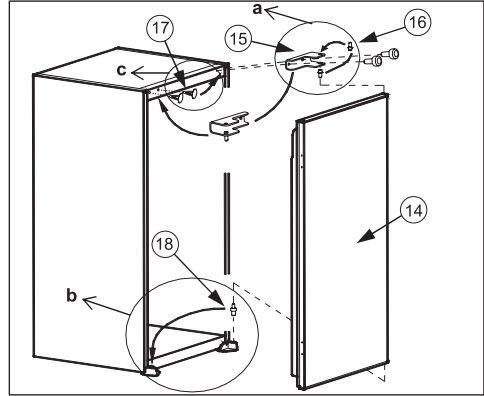


Figure K

### Door reversing

1. Open **appliance door**<sup>14</sup>. (fig.J)
2. Disassemble **door hinge**<sup>15</sup> and take **appliance door**<sup>14</sup> to safe place. (fig.K)
3. Unscrew **door hinge pin**<sup>16</sup> and screw it to opposite side firmly and take to safe place. (fig.K.a)
4. Take **door lower pin**<sup>18</sup> to opposite side. (fig.K.b)
5. Take **hole plugs**<sup>17</sup> to opposite side. (fig.K.c)
6. Place **appliance door**<sup>14</sup> over **door lower pin**<sup>18</sup> and insert **door hinge pin**<sup>16</sup> into hinge hole on **appliance door**<sup>14</sup> and then screw **door hinge**<sup>15</sup> firmly onto opposite side of original position. (fig.K)

## Installation instructions for product with Hettich hinges

! It is recommended that this installation be performed by authorized technical staff.

! Before installation, read the instructions carefully.

! Fit the refrigerator/freezer in stable kitchen units only.

! Cabinet dimensions are changed by material of trim flap<sup>1</sup>.

1. If material of trim flap<sup>(1)</sup> is plastic, look at (Table.1/B1) for cabinet dimensions.

2. If material of trim flap<sup>(1)</sup> is metal, look at (Table.1/B2) for cabinet dimensions.

! If necessary, reverse the door according to instructions.

1. See fig.A for the necessary attachment components.

2. Open the package. **Take gasket spacer<sup>(9)</sup>** and brake into three as shown in figureD. The middle part is **door hang rail<sup>(10)</sup>**. The other two parts are unit **door spacers<sup>(11)</sup>**. (fig.D)

3. Insert **trim flap<sup>(1)</sup>** into slot and screw by **screws<sup>(8)</sup>**. (fig.E)

4. Pass the power cord through ventilation shaft and position it so that the appliance could be easily plugged in once it has been installed. (fig.B - fig.C)

5. Cut **trim gasket<sup>(4)</sup>** to the height of the recess and stick it on reverse side of the door hinges of the appliance. (fig.E)

6. Raise the appliance and slide into the kitchen unit.

7. Lean the appliance to the kitchen unit through the hinges and align the front feet with front surface of the kitchen unit. (fig.F)

8. Open the appliance door and screw the front feet by using **screws<sup>(7)</sup>**. (fig.G)

9. Screw **trim flap<sup>(1)</sup>** to kitchen unit using **screws<sup>(7)</sup>**. (fig.G)

10. Screw the hinges to the kitchen unit using **screws<sup>(7)</sup>**. (fig.G)

11. Close the appliance door. Unscrew and remove the **nuts<sup>(14)</sup>**, **washers<sup>(13)</sup>** and **adjustment bolts<sup>(12)</sup>** from the appliance door. (fig.H)

12. Remove the liner for the adhesive part on the **door hang rails<sup>(10)</sup>**. Place **door hang rails<sup>(10)</sup>** on the appliance door by inserting the bosses on the holes of the appliance door, aligning the front surfaces of the **door hang rails<sup>(10)</sup>** and the appliance door parallel to each other. Let the **door hang rails<sup>(10)</sup>** stick onto the appliance door. (fig.H)

13. Slide the **door hang<sup>(2)</sup>** into **door hang rails<sup>(10)</sup>**. (fig.J - fig.K)

14. Take out the liners of the adhesive part on the front side of the **door hang<sup>(2)</sup>**.

15. Take out the liners of the adhesive part on the unit door spacers<sup>(11)</sup> and stick them onto the unit door<sup>(15)</sup>, closer to the upper corners. (fig.K)

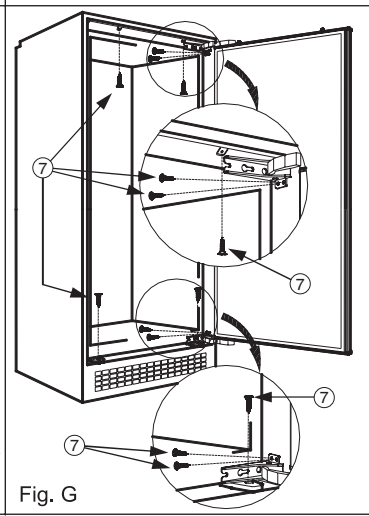
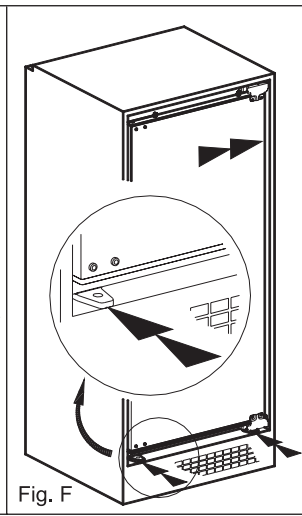
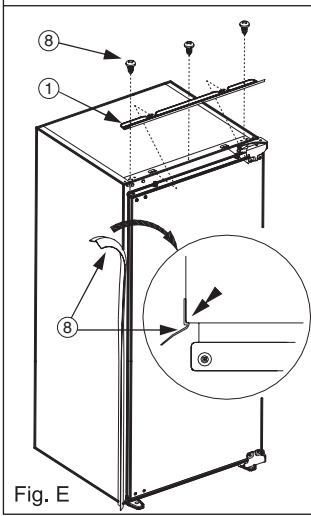
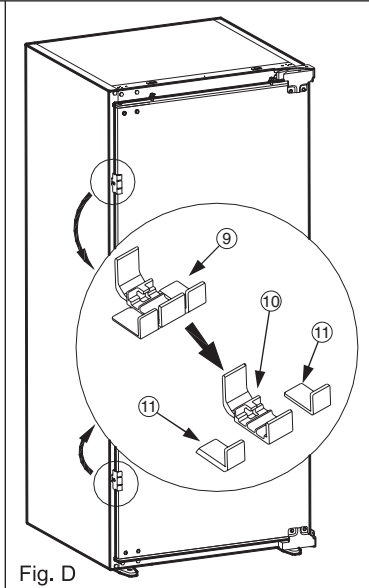
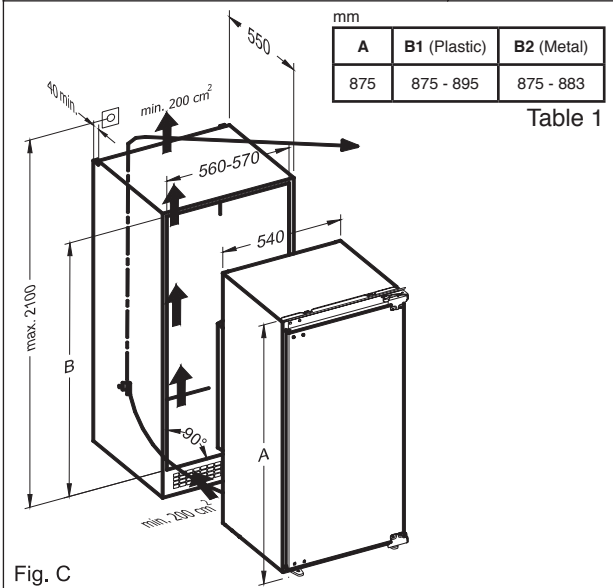
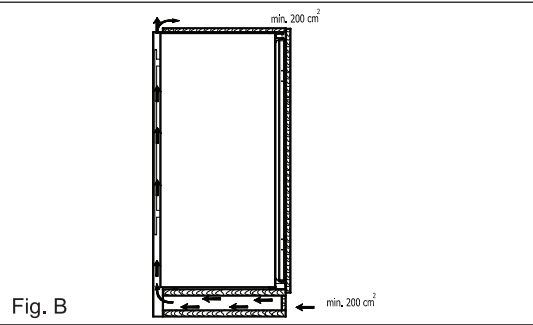
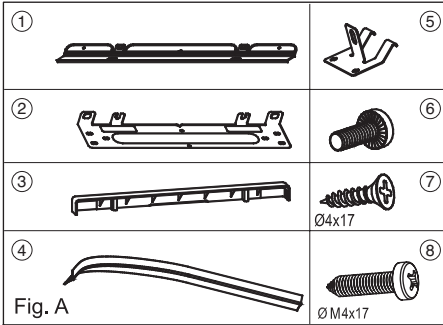
16. Lean the **unit door<sup>(15)</sup>** to the **door hang<sup>(2)</sup>**, aligning the **unit door spacers<sup>(11)</sup>** on the left, right and top edges with the sides of the unit or the doors of the nearer and upper kitchen units. (fig.K)

17. Make sure that the **unit door<sup>(15)</sup>** sticks onto the **door hang<sup>(2)</sup>**. Pull the **unit door<sup>(15)</sup>** allowing the **door hang<sup>(2)</sup>** to slide out the **door hang rails<sup>(10)</sup>**. Observe that the **door hang<sup>(2)</sup>** stays stuck on the **unit door<sup>(15)</sup>**. (fig.L)

18. Lay down the **unit door<sup>(15)</sup>** on the floor and screw the **door hang<sup>(2)</sup>** to the **unit door<sup>(15)</sup>** by **screws<sup>(7)</sup>**. (fig.L)

19. To overcome some of the furniture mistakes, there are **plastic spacers<sup>(A)</sup>** stuck on the **door hang<sup>(2)</sup>**. Remove these **plastic spacers<sup>(A)</sup>**. (fig.M)

20. Remove the **door hang rails**<sup>(10)</sup> from the appliance door. Screw the **adjustment bolts**<sup>(12)</sup> to the holes on the appliance door by leaving the necessary space using **unit door spacer**<sup>(11)</sup>. (fig.N)
21. Open the appliance door. Place the **unit door**<sup>(15)</sup> onto the appliance door inserting adjustment bolts(12) into the slots on the **door hang**<sup>(2)</sup>. (fig.N)
22. Place the washers<sup>(13)</sup> and screw the **nuts**<sup>(14)</sup> onto the **adjustment bolts**<sup>(12)</sup>. (fig.N)
23. 1~2 mm gap between the unit itself and unit door is vital for appliance performance. Close the door and make the accurate adjustment of the **unit door**<sup>(15)</sup> by screwing or unscrewing the **adjustment bolts**<sup>(12)</sup> for vertical adjustment and by the help of the slot on the **door hang**<sup>(2)</sup> for other directions. (fig.P1)
24. Place the **door bottom fixings**<sup>(5)</sup> to the bottom of the appliance door between the appliance door and **unit door**<sup>(15)</sup>. Screw the **door bottom fixings**<sup>(5)</sup> to the appliance door with **screws**<sup>(6)</sup>. (fig.O)
25. Screw the **door bottom fixings**<sup>(5)</sup> to the **unit door**<sup>(15)</sup> by **screws**<sup>(7)</sup>. (fig.O)
26. For the adjustment of the space between the unit upper **door**<sup>(15)</sup> and the unit itself, you can unscrew the **screws**<sup>(6)</sup> then adjust the space between the **appliance upper door**<sup>(19)</sup> and **unit upper door**<sup>(15)</sup> by the spring effect of the **door bottom fixings**<sup>(5)</sup> while screwing back the **screws**<sup>(6)</sup>.
27. Slide the **hang cover**<sup>(3)</sup> onto the **door hang**<sup>(2)</sup>. (fig.P2)



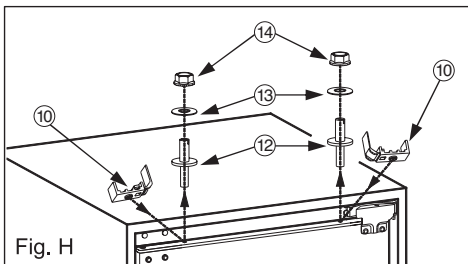


Fig. H

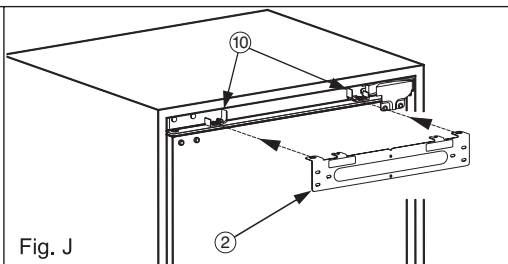


Fig. J

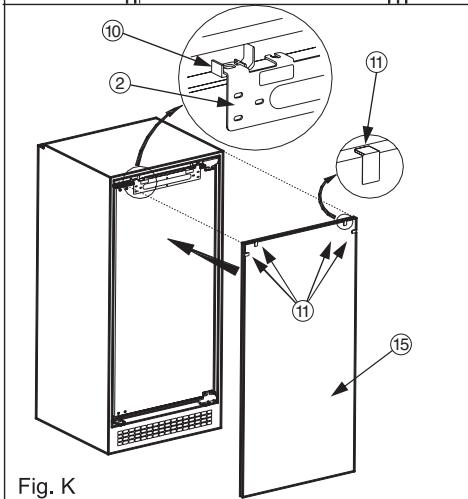


Fig. K

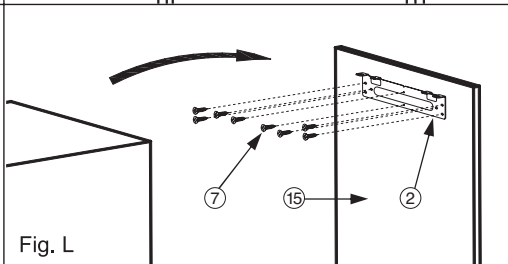


Fig. L

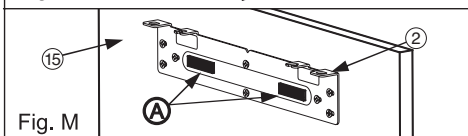


Fig. M

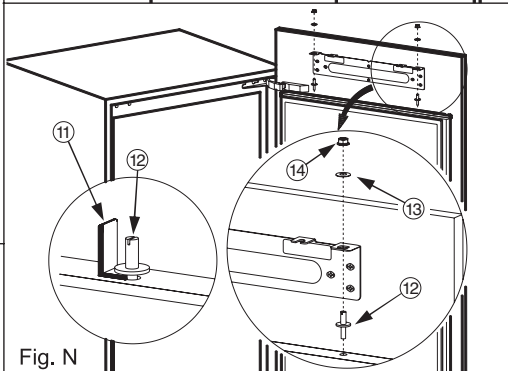


Fig. N

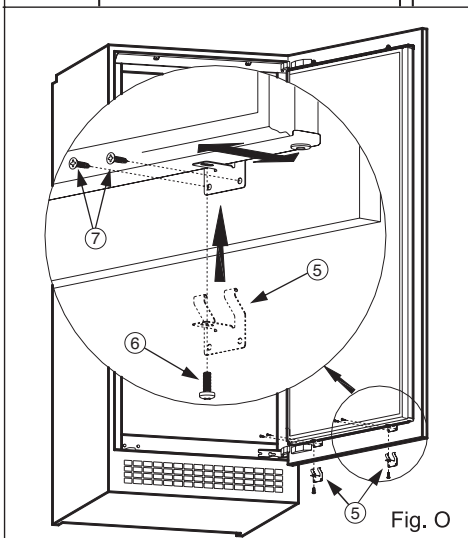


Fig. O

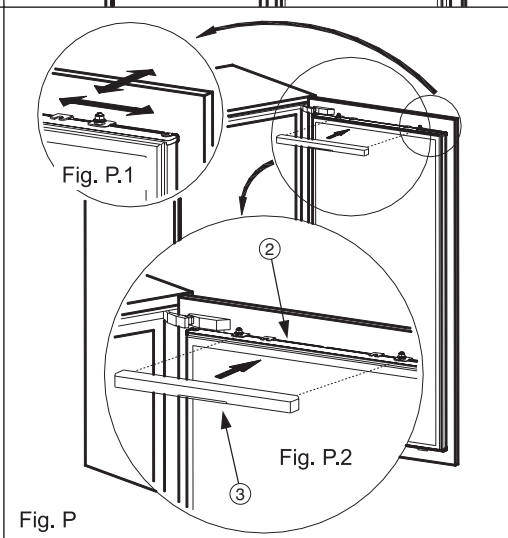


Fig. P



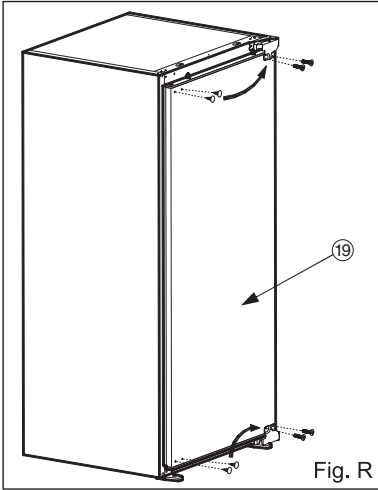


Fig. R

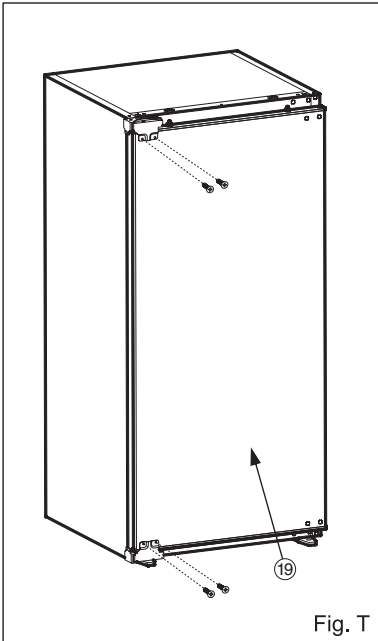


Fig. T

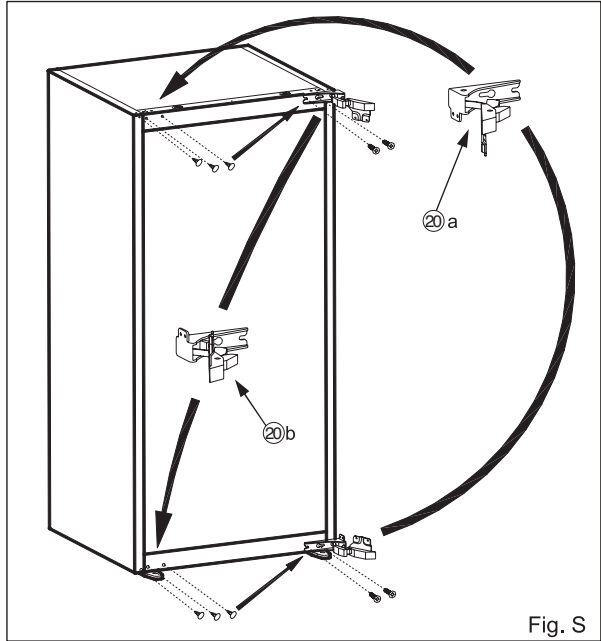


Fig. S

### Door reversing

! Be careful about not to pinch your fingers in the hinges (**door upper hinge<sup>(20-a)</sup>** and **door lower hinge<sup>(20-b)</sup>**).

1. Open the **appliance door<sup>(19)</sup>**. (fig.P)
2. Unscrew the screws on the front surface of the **appliance door<sup>(19)</sup>**. Take the **appliance door<sup>(19)</sup>** to a safe place. (fig.S)
3. Move the **hole plugs** on the **appliance door<sup>(19)</sup>**'s front surface, to the holes on the reverse side. (fig.S)
4. Open the **door upper hinge<sup>(20-a)</sup>** and **door lower hinge<sup>(20-b)</sup>**. (fig.S) and disassemble them. (fig.T)
5. Move the **hole plugs** to opposite side. (fig.T)
6. Assemble the **door upper hinge<sup>(20-a)</sup>** and **door lower hinge<sup>(20-b)</sup>** to the opposite corners of their original position. (fig.T)

# SICHERHEITSHINWEISE

WICHTIG - Durchlesen und beachten!

Diese Sicherheitshinweise vor dem Gebrauch durchlesen. Diese für spätere Nachschlagezwecke in der Nähe aufbewahren.

In diesen Anweisungen sowie auf dem Gerät selbst werden wichtige Sicherheitshinweise angegeben, die durchgelesen und stets beachtet werden müssen. Der Hersteller übernimmt keine Haftung für die Nichtbeachtung dieser Sicherheitshinweise, für unsachgemäße Verwendung des Gerätes oder falsche Bedienungseinstellung.

⚠️ Babys und Kleinkinder (0-3 Jahre) müssen vom Gerät fern gehalten werden. Jüngere Kinder (3-8 Jahre) müssen vom Gerät fern gehalten werden, es sei denn, sie werden ständig beaufsichtigt. Dieses Gerät darf von Kindern ab 8 Jahren sowie Personen mit herabgesetzten physischen, sensorischen oder geistigen Fähigkeiten und Mangel an Erfahrung und Kenntnissen nur unter Aufsicht oder nach ausreichender Einweisung durch eine für ihre Sicherheit verantwortliche Person verwendet werden. Kinder dürfen nicht mit dem Gerät spielen. Die Reinigung und Pflege des Gerätes darf von Kindern nicht ohne Aufsicht durchgeführt werden.

## ZULÄSSIGE NUTZUNG

⚠️ VORSICHT! Das Gerät ist nicht für den Betrieb mit einer externen Schaltvorrichtung, z. B. einem Timer oder einer separaten Fernbedienung, ausgelegt.

⚠️ Dieses Gerät ist für Haushaltsanwendungen und ähnliche Anwendungen konzipiert, zum Beispiel: Mitarbeiterküchen

im Einzelhandel, in Büros oder in anderen Arbeitsbereichen; Gasthäuser; für Gäste in Hotels, Motels, Bed-and-Breakfast-Anwendungen und anderen Wohnumgebungen.

⚠️ Dieses Gerät eignet sich nicht für den professionellen Einsatz. Das Gerät ist nicht für die Benutzung im Freien geeignet.

⚠️ Die im Gerät verwendete Lampe ist speziell für Elektrogeräte konzipiert und ist nicht für die Beleuchtung von Räumen geeignet (EU-Verordnung 244/2009).

⚠️ Das Gerät ist für den Einsatz in Räumen mit nachstehenden Umgebungstemperaturbereichen ausgelegt, die ihrerseits von der Klimaklasse auf dem Typenschild abhängig sind. Wird der vorgegebene Temperaturbereich für das Gerät für einen längeren Zeitraum unter- oder überschritten, kann es zu Funktionsstörungen kommen.

## Klimaklasse

### Umgebungstemperaturen:

SN: Von 10 bis 32 °C

ST: Von 16 bis 38 °C;

N: Von 16 bis 32 °C

T: Von 16 bis 43 °C



Dieses Gerät ist FCKW-frei. Der Kältemittelkreislauf enthält R600a (HC). Hinweis zu Geräten mit Isobutan (R600a): Isobutan ist ein umweltverträgliches, natürliches Gas, es ist jedoch leicht entflammbar. Aus diesem Grund sicherstellen, dass die Leitungen des Kältemittelkreislaufs nicht beschädigt sind, insbesondere beim Entleeren des

Kühlmittelkreislaufs.

⚠ **ACHTUNG:** Beschädigen Sie auf keinen Fall die Leitungen des Kältemittelkreises.

⚠ **ACHTUNG:** Lüftungsöffnungen in der Geräteverkleidung oder im Einbaumöbel sind von Behinderungen frei zu halten.

⚠ **ACHTUNG:** Zum Beschleunigen des Abtauvorganges niemals zu anderen mechanischen, elektrischen oder chemischen Hilfsmitteln greifen als zu den vom Hersteller empfohlenen.

⚠ **ACHTUNG:** Verwenden Sie keine elektrischen Geräte in den Fächern des Gerätes, wenn deren Einsatz nicht explizit vom Hersteller zugelassen worden ist.

⚠ **ACHTUNG:** Eisbereiter und/oder Wasserspender, die nicht direkt mit der Wasserleitung verbunden sind, dürfen nur mit Trinkwasser befüllt werden.

⚠ Bewahren Sie keine explosionsgefährdeten Stoffe wie Spraydosen im oder in der Nähe des Gerätes auf. Das gleiche gilt für Benzin und sonstige entflammbare Stoffe und deren Verwendung.

⚠ Die in den Kühlakkus (bei manchen Modellen vorhanden) enthaltene (ungiftige) Flüssigkeit darf nicht verschluckt werden. Verzehren Sie Eiswürfel oder Wassereis nicht unmittelbar nach der Entnahme aus dem Gefrierfach, da sie Kälteverbrennungen hervorrufen können.

⚠ Bei Produkten, die für den Gebrauch eines Luftfilters hinter einer zugänglichen Lüfterabdeckung ausgelegt sind, muss der Filter bei laufendem Kühlschrank stets eingesetzt sein.

⚠ Bewahren Sie keine Glasbehälter mit Flüssigkeiten im Gefrierfach, sie könnten zerbrechen.

Blockieren Sie das Gebläse (falls inbegriffen) nicht mit Lebensmitteln. Prüfen Sie nach dem Ablegen von Lebensmitteln, ob die Tür der Fächer korrekt schließt, besonders die Tür des Gefrierfachs.

⚠ Beschädigte Dichtungen müssen so schnell wie möglich ausgetauscht werden.

⚠ Verwenden Sie das Kühlfach nur zur Aufbewahrung von frischen Lebensmitteln und das Gefrierfach nur zur Aufbewahrung von gefrorenen Lebensmitteln, zum Einfrieren von frischen Lebensmitteln und zur Herstellung von Eiswürfeln.

⚠ Unverpackte Lebensmittel so lagern, dass sie nicht mit den Innenwänden des Kühl- bzw. Gefrierfachs in Berührung kommen. Möglicherweise verfügt das Gerät über Sonderfächer (Frischefach, Null-Grad-Box, ...). Falls nicht anderweitig in der Anleitung des Gerätes anders angegeben, können diese für eine gleichmäßige Funktion im gesamten Gerät herausgenommen werden.



Das brennbare Gas C-Pentan wird als Treibmittel im Isolierschaum eingesetzt.

## INSTALLATION

⚠ Zum Transport und zur Installation des Gerätes sind zwei oder mehrere Personen erforderlich - Verletzungsgefahr. Schutzhandschuhe zum Auspacken und zur Installation verwenden - Risiko von Schnittverletzungen.

⚠ Die Installation, einschließlich der Wasserversorgung (falls vorhanden), elektrische Anschlüsse

und Reparaturen müssen von einem qualifizierten Techniker durchgeführt werden.

Reparieren Sie das Gerät nicht selbst und tauschen Sie keine Teile aus, wenn dies vom Bedienungshandbuch nicht ausdrücklich vorgesehen ist. Kinder vom Installationsort fern halten. Prüfen Sie das Gerät nach dem Auspacken auf Transportschäden. Bei Problemen wenden Sie sich bitte an Ihren Händler oder an den nächsten Kundendienst. Nach der Installation müssen Verpackungsabfälle (Kunststoff, Styroporteile usw.) außerhalb der Reichweite von Kindern aufbewahrt werden - Erstickungsgefahr. Das Gerät vor Installationsarbeiten von der Stromversorgung trennen - Stromschlaggefahr. Während der Installation sicherstellen, das Netzkabel nicht mit dem Gerät selbst zu beschädigen - Brand- oder Stromschlaggefahr. Das Gerät erst starten, wenn die Installationsarbeiten abgeschlossen sind.

⚠ Achten Sie beim Bewegen des Gerätes darauf, den Boden (z. B. Parkett) nicht zu beschädigen. Stellen Sie das Gerät auf dem Boden oder einer für sein Gewicht ausreichend starken Halterung auf. Der Ort sollte der Größe und der Nutzung des Geräts entsprechen. Sicherstellen, dass sich das Gerät nicht in der Nähe einer Wärmequelle befindet und dass die vier Füße fest auf dem Boden aufliegen. Die Füße entsprechend einstellen und mit einer Wasserwaage kontrollieren, dass das Gerät vollkommen eben und standfest ist. Warten Sie mindestens zwei Stunden, bevor Sie das Gerät einschalten, um sicherzustellen, dass der Kältemittelkreislauf einwandfrei funktioniert.

Alle Abmessungen und Abstandsflächen die für die Installation des Gerätes erforderlich sind, befinden sich in dem Installationshandbuch.

⚠ **WARNUNG:** Stellen Sie beim Aufstellen des Geräts sicher, dass das Netzkabel nicht eingeklemmt oder beschädigt wird.

⚠ **WARNUNG:** Um Gefahren aufgrund von Instabilität zu verhindern, muss das Gerät gemäß Herstelleranweisungen platziert oder befestigt werden.

Der Kühlschrank darf nicht so aufgestellt werden, dass das Metallrohr eines Gasherdes, Metall- bzw. Wasserrohre oder elektrische Verkabelungen mit der Rückwand des Gerätes in Berührung kommen (oder mit der Kondensator Schlange).

### **HINWEISE ZUR ELEKTRIK**


⚠ Es muss gemäß den Verdrahtungsregeln möglich sein, den Netzstecker des Gerätes zu ziehen, oder es mit einem Trennschalter, welcher der Steckdose vorgeschaltet ist, auszuschalten. Das Gerät muss im Einklang mit den nationalen elektrischen Sicherheitsbestimmungen geerdet sein.

⚠ Verwenden Sie keine Verlängerungskabel, Mehrfachstecker oder Adapter. Nach der Installation dürfen Strom führende Teile für den Benutzer nicht mehr zugänglich sein. Das Gerät nicht in nassem Zustand oder barfuß verwenden.


Das Gerät nicht verwenden, wenn das Netzkabel oder der Stecker beschädigt sind, wenn es nicht einwandfrei funktioniert, wenn es heruntergefallen ist oder in irgendeiner Weise beschädigt wurde.


⚠ Wenn das Netzkabel beschädigt ist, muss es aus Sicherheitsgründen

vom Hersteller, von seinem Kundendienstvertreter oder einer ähnlich qualifizierten Fachkraft mit einem identischen Kabel ersetzt werden - Stromschlaggefahr.


 **WARNUNG:** Bringen Sie keine Mehrfachstecker oder tragbare Stromversorgungsgeräte an der Geräterückseite an.

## **REINIGUNG UND WARTUNG**

 **WARNUNG:** Vor dem Durchführen von Wartungsarbeiten ist sicherzustellen, dass das Gerät ausgeschaltet und von der Stromversorgung getrennt ist; Verwenden Sie keine Dampfreinigungsgeräte - Stromschlaggefahr.

 Verwenden Sie keine Scheuermittel wie Fensterspray, Entfetter, entzündbare Flüssigkeiten, Reinigungspaste, konzentrierte Reinigungsmittel, Bleichmittel oder benzinhaltige Reinigungsmittel auf Kunststoffteilen, Innen- oder Türablagen oder Dichtungen. Benutzen Sie keine Papiertücher, Topfreiniger oder scharfen Gegenstände.

## **ENTSORGUNG VON VERPACKUNGSMATERIALIEN**


Das Verpackungsmaterial ist zu 100 % wiederverwertbar und trägt das Recycling-Symbol .

Werfen Sie das Verpackungsmaterial deshalb nicht einfach weg, sondern entsorgen Sie es gemäß den geltenden örtlichen Vorschriften.

## **ENTSORGUNG VON HAUSHALTSGERÄTEN**

Dieses Gerät wurde aus recycelbaren oder wiederverwendbaren Werkstoffen hergestellt. Entsorgen Sie das Gerät gemäß den regionalen Vorschriften zur Abfallbeseitigung. Genauere Informationen zu Behandlung, Entsorgung und Recycling von elektrischen Haushaltsgeräten sind bei der örtlichen Behörde, der Müllabfuhr oder dem Händler

erhältlich, bei dem das Gerät gekauft wurde. Dieses Gerät ist gemäß der Europäischen Richtlinie 2012/19/EU für Elektro- und Elektronik-Altgeräte (WEEE) gekennzeichnet. Durch Ihren Beitrag zur korrekten Entsorgung dieses Produkts schützen Sie die Umwelt und die Gesundheit Ihrer Mitmenschen.

Das Symbol  auf dem Gerät bzw. auf dem beiliegenden Informationsmaterial weist darauf hin, dass dieses Gerät kein normaler Haushaltsabfall ist, sondern in einer Sammelstelle für Elektro- und Elektronik-Altgeräte entsorgt werden muss.

## **ENERGIESPARTIPPS**

Befolgen Sie die Aufstellanweisungen, um angemessene Belüftung sicherzustellen. Eine unzureichende Belüftung hinten am Gerät erhöht den Energieverbrauch und verringert die Kühlkapazität.

Häufiges Öffnen der Tür kann zu einem erhöhten Energieverbrauch führen.

Die Innentemperatur des Gerätes und der Energieverbrauch können sowohl von der Umgebungstemperatur als auch vom Standort des Gerätes beeinflusst werden. Bei der Temperatureinstellung sind diese Faktoren zu berücksichtigen. Öffnen Sie die Tür nur so weit wie notwendig.

Platzieren Sie Lebensmittel zum Auftauen im Kühlschrank. Die niedrige Temperatur der gefrorenen Lebensmittel kühlt das Essen im Kühlschrank.

Lassen Sie warme Speisen und Getränke abkühlen, bevor Sie diese im Gerät platzieren.

Die Position der Ablageflächen im Kühlschrank hat keinen Einfluss auf den effizienten Energieverbrauch. Lebensmittel müssen so auf den Ablageflächen platziert werden, dass eine korrekte Luftzirkulation sichergestellt wird (Lebensmittel dürfen sich nicht berühren und zwischen Lebensmitteln und Rückwand muss Abstand gehalten werden).

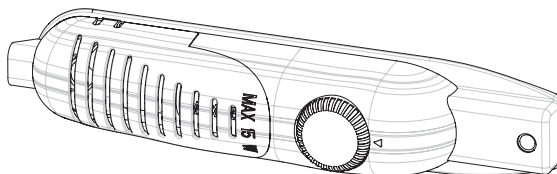
Sie können die Lagerkapazität der gefrorenen Lebensmittel durch Entnahme der Körbe und, wenn vorhanden, der Stop-Frost-Ablage, erhöhen.

Es gibt keinen Grund zur Beunruhigung im Falle von Geräuschen durch den Kompressor, diese sind normale Betriebsgeräusche.

# BEDIENUNG DES GERÄTS

## Einstellung des Thermostats

- Der Thermostat regelt automatisch die Innentemperatur des Kühlschranks. Durch Drehen des Knopfes von 1 auf 5 können kältere Temperaturen erzielt werden.
- Die Stellung “ . ” zeigt, dass der Thermostat geschlossen ist und keine Kühlung erfolgt.
- Für die kurzzeitige Lagerung von Lebensmitteln im Kühlschrank können Sie den Knopf zwischen die niedrigste und mittlere Position (1-3) einstellen.
- Für die langfristige Lagerung von Lebensmitteln im Kühlschrank können Sie den Knopf auf die mittlere Position (3-4) einstellen.



**Bitte beachten:** Raumtemperatur, Temperatur der frisch gelagerten Lebensmittel und Häufigkeit der Türöffnung beeinflussen die Temperatur im Kühlschrank. Bei Bedarf die Temperatureinstellung ändern.

- Wenn Sie das Gerät zum ersten Mal einschalten, wäre es ideal, wenn Sie es 24 Stunden lang ohne Lebensmittel laufen lassen und die Tür nicht öffnen. Wenn eine sofortige Verwendung notwendig ist, sollten Sie das Einlagern großer Lebensmittelmengen vermeiden.
- Wenn das Gerät ausgeschaltet oder der Netzstecker gezogen wird, müssen Sie mindestens 5 Minuten bis zum erneuten Einschalten warten, um den Kompressor nicht zu beschädigen.
- VORRATSSCHRANK (ohne Sternekenzeichnung): Vorratsschränke (Kühler) haben kein Gefrierfach, können jedoch auf 4 - 6 °C abkühlen.

## Warnhinweise zu Temperatureinstellungen

- Es wird im Hinblick auf die Effizienz des Kühlschranks nicht empfohlen, diesen in Umgebungen mit weniger als 10 °C zu betreiben.
- Die Temperatureinstellung sollte auf die Häufigkeit der Türöffnungen und die im Kühlschrank aufbewahrte Lebensmittelmenge abgestimmt werden.
- Ihr Kühlschrank sollte, nachdem der Netzstecker eingesteckt wurde, je nach Raumtemperatur bis zu 24 Stunden ohne Unterbrechung laufen, damit er komplett gekühlt ist. Vermeiden Sie das häufige Öffnen der Kühlschranktür und lagern Sie während dieses Zeitraums nicht viele Lebensmittel ein.
- Es kommt eine Zeitverzögerung von 5 Minuten zur Anwendung, wenn Sie den Netzstecker ziehen und dann wieder einstecken oder wenn ein Stromausfall eintritt, um den Kompressor Ihres Kühlschranks vor Beschädigung zu schützen. Nach 5 Minuten beginnt Ihr Kühlschrank wieder normal zu arbeiten.
- Ihr Kühlschrank wurde für den Betrieb innerhalb der in den Normen festgelegten Umgebungstemperaturbereiche ausgelegt, die der auf dem Informationsschild angegebenen Klimaklasse entsprechen. Im Hinblick auf die Kühlleistung empfehlen wir, den Kühlschrank nicht außerhalb der festgelegten Temperaturgrenzwerte zu betreiben.
- Dieses Gerät ist für die Verwendung bei Raumtemperatur innerhalb des Bereiches von 16 °C - 32 °C ausgelegt.



# LAGERUNG VON LEBENSMITTELN IM GERÄT

- Der Kühlschrank dient dazu, frische Lebensmittel für einige Tage aufzubewahren.
- Platzieren Sie die Lebensmittel nicht in direktem Kontakt mit der Rückwand des Kühlschranks. Lassen Sie etwas Platz um die Lebensmittel, damit die Luft zirkulieren kann.
- Stellen Sie keine heißen Lebensmittel oder dampfenden Flüssigkeiten in den Kühlschrank.
- Stellen Sie sicher, dass die Lebensmittel stets eingepackt sind oder in geschlossenen Behältern aufbewahrt werden.
- Zur Verringerung der Feuchtigkeit und zur Vermeidung von Eisbildung keine Flüssigkeiten in offenen Behältern in den Kühlschrank stellen.
- Wir empfehlen Ihnen, Fleisch lose einzupacken und auf der Glasablage oberhalb des Gemüsefachs aufzubewahren, wo die Luft kühler ist.
- Lagern Sie Obst und Gemüse lose in den Gemüsebehältern.
- Um das Entweichen der kalten Luft zu vermeiden, die Tür nicht zu oft öffnen und nicht längere Zeit offen stehen lassen.

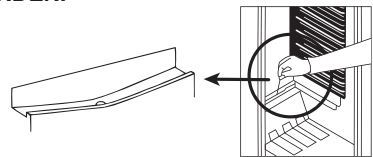
## REINIGUNG UND PFLEGE

- Trennen Sie das Gerät vor dem Reinigen von der Stromversorgung.
- Gießen Sie beim Reinigen des Geräts kein Wasser hinein.
- Stellen Sie sicher, dass kein Wasser in das Lampengehäuse und sonstige elektrische Bauteile eintritt.
- Der Kühlschrank sollte regelmäßig mit einer Lösung aus Natron und lauwarmem Wasser gereinigt werden.
- Reinigen Sie Zubehörteile separat mit Wasser und Geschirrspülmittel. Reinigen Sie diese nicht im Geschirrspüler.
- Verwenden Sie keine scheuernden Produkte, Reinigungsmittel oder Seifen. Nach dem Reinigen mit klarem Wasser spülen und sorgfältig abtrocknen. Wenn Sie die Reinigung beendet haben, stecken Sie den Netzstecker wieder mit trockenen Händen ein.
- Reinigen Sie den Kondensator mindestens zweimal pro Jahr mit einem Besen. Dies hilft Ihnen Energiekosten zu sparen und die Leistungsfähigkeit zu steigern.

### DIE STROMVERSORGUNG MUSS UNTERBROCHEN WERDEN.

#### Abtauen

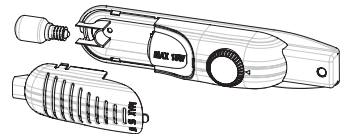
- Abtauen findet automatisch während des Betriebs im Kühlschrank statt; das Wasser wird in der Verdunstungsrinne gesammelt und verdunstet automatisch.
- Die Verdunstungsrinne und die Wasserablauföffnung sollten regelmäßig mit dem Stöpsel des Tauwasserablaufs gereinigt werden, um zu verhindern, dass sich Wasser am Kühlschrankboden sammelt, anstatt abzufließen.
- Sie können die Ablauföffnung auch reinigen, indem Sie  $\frac{1}{2}$  Glas Wasser hineinleeren.



#### Austausch der Glühbirne

Zum Austauschen der Glühbirne des Kühlschranks:

1. Das Gerät von der Stromversorgung trennen.
2. Die Haken an den Seiten der Leuchtenabdeckung drücken und die Leuchtenabdeckung abnehmen.
3. Ersetzen Sie die vorhandene Glühbirne durch eine neue mit max. 15 W.
4. Bringen Sie die Leuchtenabdeckung wieder an. Warten Sie 5 Minuten und stecken Sie das Netzkabel des Geräts wieder ein.



#### Austausch der LED-Beleuchtung

Wenn Ihr Kühlschrank über eine LED-Beleuchtung verfügt, kontaktieren Sie bitten den Helpdesk, da diese nur durch autorisiertes Personal getauscht werden darf.

# TRANSPORT UND WECHSEL DES AUFSTELLUNGORTES

## Transport und Wechsel des Aufstellungsortes

- Die Originalverpackung und Polystyrol (PS) können bei Bedarf einbehalten werden.
- Das Gerät sollte während des Transports mit einer breiten Schnur oder einem starken Seil gesichert werden. Die Anweisungen auf dem Wellpappekarton sind während des Transportes einzuhalten.
- Vor dem Transport oder dem Wechsel des Aufstellungsortes sollten alle beweglichen Gegenstände (z. B. Ablagen, Gemüsebehälter...) aus dem Gerät entnommen oder mit Bändern gesichert werden, damit sie nicht beschädigt werden.

**Transportieren Sie den Kühlschrank in aufrechter Position.**

# BEVOR SIE DEN KUNDENDIENST RUFEN

Wenn Ihr Kühlschrank nicht ordnungsgemäß arbeiten sollte, könnte es sich um ein geringfügiges Problem handeln. Prüfen Sie daher Folgendes.

## Das Gerät arbeitet nicht.

### Prüfen Sie, ob:

- ein Stromausfall vorliegt.
- der Netzstecker ist nicht richtig eingesteckt oder ist lose.
- die Thermostateinstellung ist auf "".
- die Steckdose ist defekt. Stecken Sie zur Überprüfung ein anderes Gerät, von dem Sie wissen, dass es funktioniert, in die gleiche Steckdose ein.

## Das Gerät funktioniert schlecht.

### Prüfen Sie, ob:

- Sie das Gerät zu voll geladen haben.
- die Gerätetür richtig geschlossen ist.
- zu wenige Belüftungsöffnungen im Kühlschrank vorhanden sind (siehe Angaben im Installationshandbuch).

## Geräusentwicklung:

Das Kühlgas, das im Kühlkreis zirkuliert, kann leise Geräusche (Blubbern) erzeugen, selbst wenn der Kompressor nicht läuft. Machen Sie sich keine Sorgen, dies ist normal. Wenn Sie andere Geräusche hören, prüfen Sie Folgendes:

- Steht das Gerät fest, wie im Installationshandbuch beschrieben.
- Gegenstände auf dem Gerät vibrieren.

## Wenn sich Wasser im unteren Teil des Kühlschranks befindet;

### prüfen Sie, dass:

- die Wasserablauföffnung nicht verstopft ist (reinigen Sie mit dem Stöpsel des Tauwasserablaufs die Ablauföffnung).



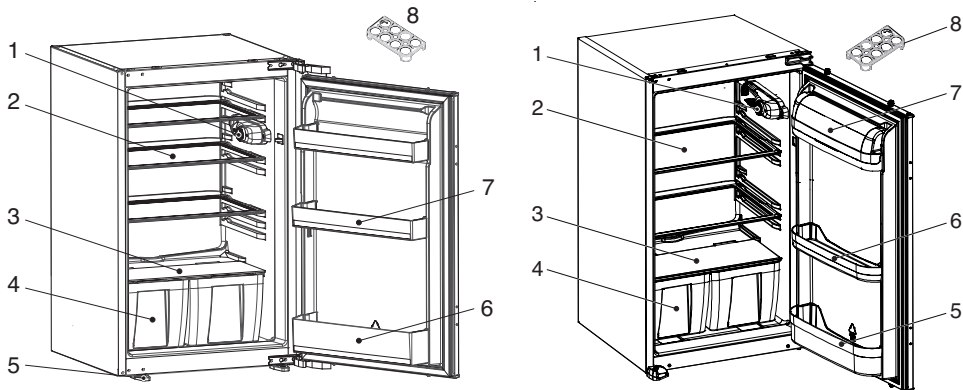
### **Austausch der Glühbirne**

- Wenn kein Strom vorhanden ist, sollte zum Schutz vor Schäden am Kompressor der Netzstecker des Kühlschranks gezogen werden. Das Einstecken des Netzsteckers sollte 5 – 10 Minuten, nachdem die Stromversorgung wiederhergestellt wurde, erfolgen.
- Wenn Sie aus irgendwelchen Gründen den Netzstecker des Kühlschranks ziehen, sollten Sie vor dem erneuten Einstecken mindestens 5 Minuten warten. Dies verhindert Schäden an den Kühlschrankbauteilen.
- Das Kühlaggregat Ihres Kühlschranks ist auf der Geräterückseite verborgen. Deshalb können sich durch den Intervallbetrieb des Kompressors Wassertropfen oder Vereisung an der rückwärtigen Fläche des Kühlschranks bilden. Dies ist als normal anzusehen und es ist kein Abtauvorgang vorzunehmen, außer die Vereisung ist zu stark.
- Beabsichtigen Sie, Ihren Kühlschrank längere Zeit nicht zu benutzen (z. B. Sommerferien), den Thermostat auf «•» drehen. Nach dem Abtauen den Kühlschrank reinigen und die Tür offen lassen, um Feuchtigkeits- und Geruchsbildung zu vermeiden.
- Sollte das Problem bestehen bleiben, nachdem Sie oben genannte Anweisungen befolgt haben, kontaktieren Sie bitte die nächstgelegene, autorisierte Servicestelle.
- Das von Ihnen erworbenen Gerät ist für die Verwendung im Haushalt ausgelegt und darf nur zu Hause und für die genannten Zwecke eingesetzt werden. Es ist nicht gewerbliche oder gemeinschaftliche Nutzung geeignet. Wenn der Käufer das Gerät nicht dementsprechend verwendet, weisen wir darauf hin, dass der Hersteller und der Händler nicht für Reparaturen oder Störungen während des Garantiezeitraums haften.

### **Energiespartipps**

1. Das Gerät in einem kühlen, gut belüfteten Raum aufstellen. Keinem direkten Sonnenlicht aussetzen und nicht neben Hitzequellen (Heizkörper, Herd usw.) stellen. Anderenfalls eine Dämmplatte verwenden.
2. Lassen Sie warme Speisen und Getränke außerhalb des Geräts abkühlen.
3. Decken Sie Getränke oder Flüssigkeiten ab, wenn Sie diese in das Gerät stellen, anderenfalls steigt die Feuchtigkeit im Gerät an. Demzufolge verlängert sich dessen Arbeitszeit. Das Abdecken von Getränken und sonstigen Flüssigkeiten hilft auch, Geruch und Geschmack zu bewahren.
4. Vermeiden Sie es, die Gerätetür längere Zeit offen stehen zu lassen oder diese zu häufig zu öffnen. Es tritt dabei warme Luft in den Kühlschrank ein und bewirkt, dass sich der Kompressor unnötig oft einschaltet.
5. Halten Sie die Abdeckungen der unterschiedlichen Temperaturfächer (Gemüsefach, Kühler usw.) geschlossen.
6. Die Türdichtung muss sauber und biegsam sein. Abgenutzte Dichtungen ersetzen.

# GERÄTETEILE UND FÄCHER



Diese Darstellung dient nur zur Information über die Geräteteile.  
Die Teile können je nach Gerätemodell unterschiedlich sein.

1. Thermostatregler
2. Kühlschrankablageflächen
3. Gemüsefachabdeckung
4. Gemüsefächer
5. Linker & rechter Fuß
6. Abstellfach für Flaschen
7. Türablagen
8. Eierbehälter

1. Thermostatregler
2. Kühlschrankablageflächen
3. Gemüsefachabdeckung
4. Gemüsefächer
5. Abstellfach für Flaschen
6. Türablagen
7. Butterfachabdeckung \*
8. Eierbehälter

\* Bei einigen Modellen

## Installationsanleitung und Türanschlagwechsel für Ausführungen mit Schiene und Scharnieren

! Es wird empfohlen, die Installation durch autorisiertes, technisches Personal ausführen zu lassen

! Vor der Installation die Anleitungen aufmerksam durchlesen.

! Den Kühlschrank/Gefrierschrank nur in standsichere Küchenschränke einbauen.

! Die Schrankabmessungen ändern sich durch das Material der **Verkleidungsleiste**<sup>1</sup>.

1. Wenn die Verkleidungsleiste<sup>1</sup> aus Kunststoff ist, für die Schrankabmessungen in (Tabelle 1/B1) nachsehen.
2. Wenn die Verkleidungsleiste<sup>1</sup> aus Metall ist, für die Schrankabmessungen in (Tabelle 1/B2) nachsehen.

! Bei Bedarf den Türanschlag entsprechend den Anleitungen wechseln.

1. Siehe Abb. A für die notwendigen Befestigungselemente.
2. Die **Verkleidungsleiste**<sup>1</sup> in den Schlitz einsetzen und mit den **Schrauben**<sup>6</sup> anschrauben. (Abb. D)
3. Das Stromkabel durch den Belüftungsschacht führen und so positionieren, dass das Gerät nach dem Aufstellen leicht eingesteckt werden kann. (Abb. B - Abb. C)
4. Den **Dichtungstreifen**<sup>4</sup> an der Seitenwand des Geräts abnehmen und auf der den Türscharnieren des Geräts entgegengesetzten Seite aufstecken. (Abb. D - Abb. E)
5. Das Gerät anheben und in den Küchenschrank schieben.
6. Das Gerät an die den Türscharnieren entgegengesetzte Seite schieben. Dafür sorgen, dass der **Dichtungstreifen**<sup>2</sup> den Raum zwischen dem Gerät und dem Küchenschrank abdeckt.
7. Die vorderen Füße auf die Frontfläche des Küchenschanks ausrichten. (Abb. F)
8. Die vorderen Füße mit den **Schrauben**<sup>5</sup> anschrauben. (Abb. F)
9. Die **Verkleidungsleiste**<sup>1</sup> mit den **Schrauben**<sup>5</sup> an den Küchenschrank schrauben. (Abb. G)
10. Die **Führungen**<sup>3</sup> mit den **Schrauben**<sup>6</sup> an die Gerätetür schrauben. (Abb. H)
11. Die Gerätetür im rechten Winkel geöffnet an die Tür des Küchenschanks lehnen.
12. Die Schienen<sup>4</sup> in die **Führungen**<sup>3</sup> einschieben, dabei die Fuge ausrichten. (Abb. H)
13. Die **Schienen**<sup>4</sup> mit den **Schrauben**<sup>5</sup> an die Schranktür schrauben. (Abb. H)
14. Auf der Griffseite zwischen dem Küchenschrank und seiner Tür durch Anpassen der **Führungen**<sup>3</sup> einen Spalt von 1~2 mm einstellen. Dies ist für die Gerätefunktion unbedingt erforderlich. (Abb. H)

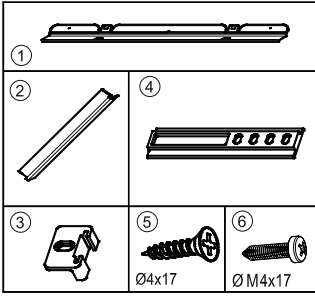


Abbildung A

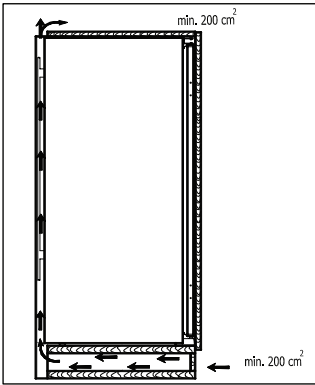


Abbildung B

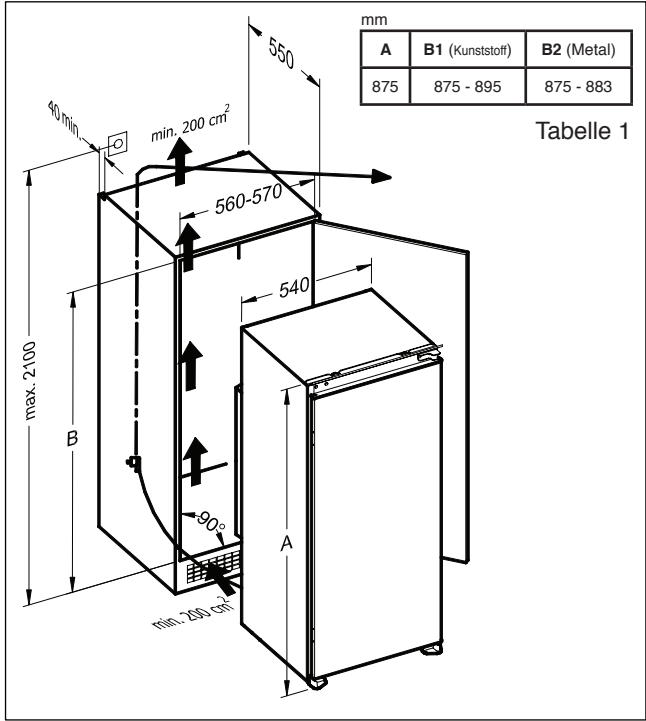


Tabelle 1

Abbildung C

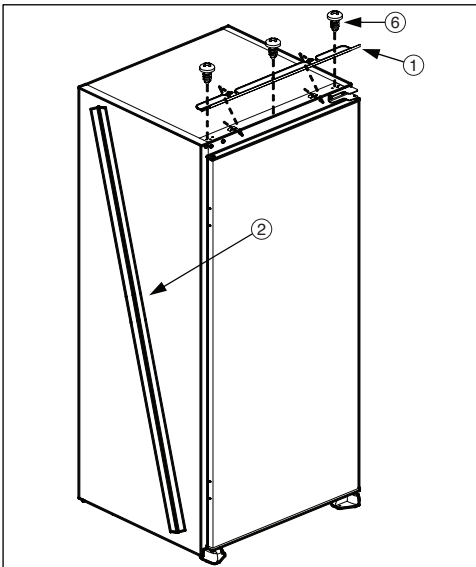


Abbildung D

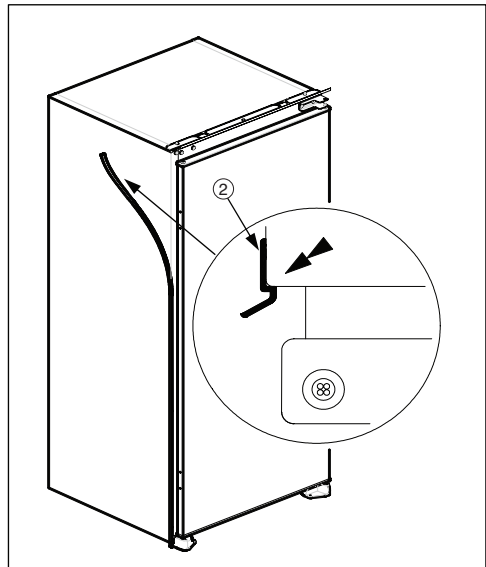


Abbildung E

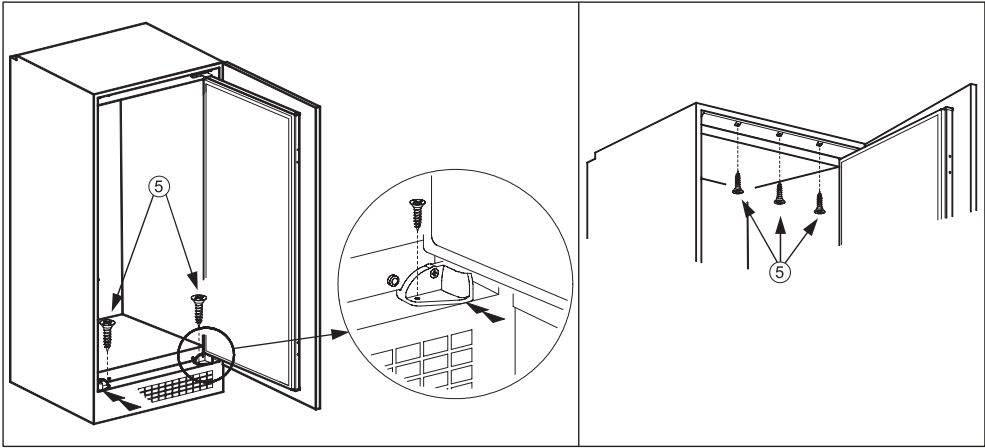


Abbildung F

Abbildung G

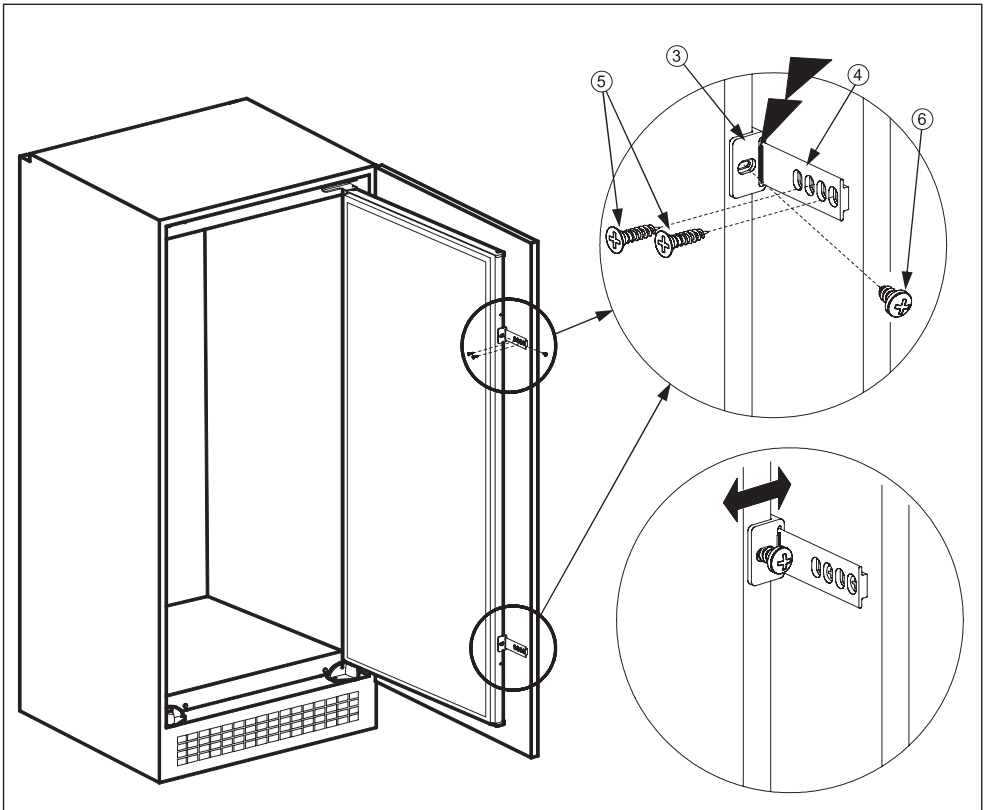


Abbildung H

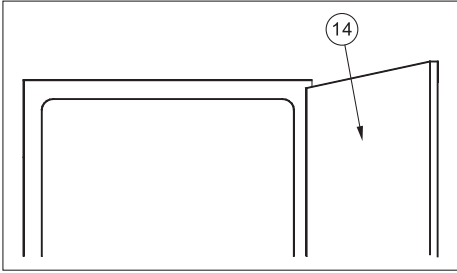


Abbildung J

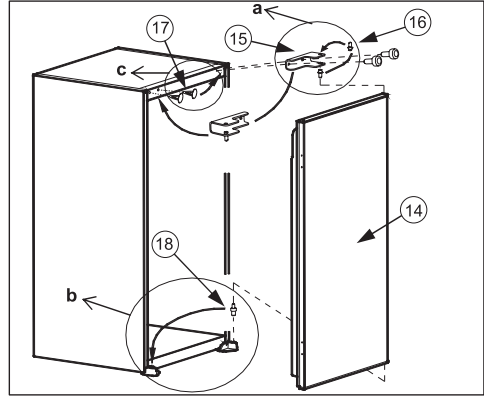


Abbildung K

### Türanschlagwechsel

1. Die **Gerätetür**<sup>14</sup> öffnen. (Abb. J)
2. Das **Türscharnier**<sup>15</sup> demontieren und die **Gerätetür**<sup>14</sup> an einen sicheren Ort stellen. (Abb. K)
3. Den **Türscharnierstift**<sup>16</sup> ausschrauben und an der gegenüberliegenden Seite festschrauben und die Tür wieder an einen sicheren Ort stellen. (Abb. Ka)
4. Den **unteren Türstift**<sup>18</sup> auf die gegenüberliegende Seite versetzen. (Abb. Kb)
5. Die **Bohrlochstopfen**<sup>17</sup> auf die gegenüberliegende Seite versetzen. (Abb. Kc)
6. Die **Gerätetür**<sup>14</sup> über dem **unteren Türstift**<sup>18</sup> platzieren und den **Türscharnierstift**<sup>16</sup> in die Scharnierbohrung auf der **Gerätetür**<sup>14</sup> einsetzen. Dann das **Türscharnier**<sup>15</sup> fest an der ursprünglichen Position gegenüberliegenden Seite anschrauben. (Abb. K)

## Installationsanleitungen für Produkte mit Hettich-Scharnieren

- ! Es wird empfohlen, diese Installation durch autorisiertes, technisches Personal ausführen zu lassen.
- ! Vor der Installation die Anleitungen aufmerksam durchlesen.
- ! Den Kühlschrank/Gefrierschrank nur in standsichere Küchenschränke einbauen.
- ! Die Schrankabmessungen ändern sich durch das Material der **Verkleidungsleiste**<sup>1</sup>.
  1. Wenn die Verkleidungsleiste<sup>(1)</sup> aus Kunststoff ist, für die Schrankabmessungen in (Tabelle 1/B1) nachsehen.
  2. Wenn die Verkleidungsleiste<sup>(1)</sup> aus Metall ist, für die Schrankabmessungen in (Tabelle 1/B2) nachsehen.
- ! Bei Bedarf den Türanschlag entsprechend den Anleitungen wechseln.
  1. Siehe Abb. A für die notwendigen Befestigungselemente.
  2. Die Verpackung öffnen. Den **Dichtungsabstandhalter**<sup>(9)</sup> nehmen und in drei Teile brechen, wie in Abbildung D gezeigt. Der mittlere Teil ist die **Türanschlagschiene**<sup>(10)</sup>. Die beiden anderen Teile sind **Abstandhalter der Schranktür**<sup>(11)</sup>. (Abb. D)
  3. Die **Verkleidungsleiste**<sup>(1)</sup> in den Schlitz einsetzen und mit den **Schrauben**<sup>(8)</sup> anschrauben. (Abb. E)
  4. Das Stromkabel durch den Belüftungsschacht führen und so positionieren, dass das Gerät nach dem Aufstellen leicht eingesteckt werden kann. (Abb. B - Abb. C)
  5. Den **Dichtungstreifen**<sup>(4)</sup> auf die Höhe des Rücksprungs schneiden und auf der den Türscharnieren des Geräts entgegengesetzten Seite aufstecken. (Abb. E)
  6. Das Gerät anheben und in den Küchenschrank schieben.
  7. Das Gerät über die Scharnieren an den Küchenschrank lehnen und den vorderen Fuß auf die Frontfläche des Küchenschanks ausrichten. (Abb. F)
  8. Die Gerätetür öffnen und den vorderen Fuß mit **Schrauben**<sup>(7)</sup> anschrauben. (Abb. G)
  9. Die **Verkleidungsleiste**<sup>(1)</sup> mit den **Schrauben**<sup>(7)</sup> an den Küchenschrank schrauben. (Abb. G)
  10. Die Scharniere mit den **Schrauben**<sup>(7)</sup> an den Küchenschrank schrauben. (Abb. G)
  11. Die Gerätetür schließen. Die **Muttern**<sup>(14)</sup>, **Unterlegscheiben**<sup>(13)</sup> und **Einstellschrauben**<sup>(12)</sup> aus der Gerätetür schrauben und abnehmen. (Abb. H)
  12. Die Auskleidungen der Streifen auf den **Türanschlagschienen**<sup>(10)</sup> herausnehmen. Die **Türanschlagschienen**<sup>(10)</sup> auf der Gerätetür platzieren, indem die Lagernaben auf den Bohrungen der Gerätetür eingesetzt werden. Die vordere Fläche der **Türanschlagschienen**<sup>(10)</sup> und die Gerätetür parallel aufeinander ausrichten. Die **Türanschlagschienen**<sup>(10)</sup> auf der Gerätetür stecken lassen. (Abb. H)
  13. Den **Türanschlag**<sup>(2)</sup> in die **Türanschlagschienen**<sup>(10)</sup> einschieben. (Abb. J - Abb. K)
  14. Die Auskleidungen der Streifen auf der Vorderseite des **Türanschlags**<sup>(2)</sup> herausnehmen.
  15. Die Auskleidungen der Streifen auf den Abstandhaltern der Schranktür<sup>(11)</sup> herausnehmen und näher an den oberen Ecken auf die Schranktür stecken<sup>(15)</sup>. (Abb. K)
  16. Lehnen Sie die **Küchenschranktür**<sup>(15)</sup> an den **Türanschlag**<sup>(2)</sup>. Richten Sie dabei die **Abstandhalter der Schranktür**<sup>(11)</sup> an den linken, rechten und oberen Kanten auf die Seiten des Küchenschanks oder die Fronttüren der danebenliegenden und oberen Küchenschränke aus. (Abb. K)

17. Stellen Sie sicher, dass die **Küchenschranktür**<sup>(15)</sup> auf dem **Türanschlag**<sup>(2)</sup> steckt. Ziehen Sie an der **Schranktür**<sup>(15)</sup> und lassen Sie dabei den **Türanschlag**<sup>(2)</sup> aus den **Anschlagsschienen**<sup>(10)</sup> gleiten. Beachten Sie, dass der **Türanschlag**<sup>(2)</sup> auf der **Schranktür**<sup>(15)</sup> stecken bleibt. (Abb. L)
18. Legen Sie die **Schranktür**<sup>(15)</sup> auf den Boden und schrauben Sie den **Türanschlag**<sup>(2)</sup> mit den **Schrauben**<sup>(7)</sup> an die **Schranktür**<sup>(15)</sup>. (Abb. L)
19. Um etwaige Möbelfehler zu beseitigen, gibt es **Abstandhalter aus Kunststoff**<sup>(A)</sup>, die am **Türanschlag**<sup>(2)</sup> stecken. Entfernen Sie diese **Abstandhalter aus Kunststoff**<sup>(A)</sup>. (Abb. M)
20. Entfernen Sie die **Türanschlagschienen**<sup>(10)</sup> von der Gerätetür. Schrauben Sie die **Einstellschrauben**<sup>(12)</sup> in die Bohrungen auf der Gerätetür. Lassen Sie dabei den notwendigen Platz, indem Sie die **Abstandhalter für die Schranktür**<sup>(11)</sup> verwenden. (Abb. N)
21. Öffnen Sie die Gerätetür. Platzieren Sie die **Schranktür**<sup>(15)</sup> auf der Gerätetür und setzen Sie die Einstellschrauben<sup>(12)</sup> in die Schlitze am **Türanschlag**<sup>(2)</sup> ein. (Abb. N)
22. Platzieren Sie die Unterlegscheiben<sup>(13)</sup> und schrauben Sie die **Muttern**<sup>(14)</sup> auf die **Einstellschrauben**<sup>(12)</sup>. (Abb. N)
23. Ein Spalt von 1~2 mm zwischen dem Küchenschrank und der Schranktür ist für die Gerätefunktion unbedingt notwendig. Schließen Sie die Tür und nehmen Sie die Feineinstellung der **Schranktür**<sup>(15)</sup> durch Ein- oder Ausschrauben der **Einstellschrauben**<sup>(12)</sup> für die vertikale Anpassung vor. Mithilfe der Schlitze an den **Türanschlägen**<sup>(2)</sup> können die anderen Richtungen angepasst werden. (Abb. P1)
24. Platzieren Sie die **unteren Türbefestigungen**<sup>(5)</sup> an der Gerätetürunterkante zwischen der Gerätetür und der **Schranktür**<sup>(15)</sup>. Schrauben Sie die **unteren Türbefestigungen**<sup>(5)</sup> mit den **Schrauben**<sup>(6)</sup> an die Gerätetür. (Abb. O)
25. Schrauben Sie die **unteren Türbefestigungen**<sup>(5)</sup> mit **Schrauben**<sup>(7)</sup> an die **Schranktür**<sup>(15)</sup>. (Abb. O)
26. Für die Anpassung des Abstands zwischen der oberen **Küchenschranktür**<sup>(15)</sup> und dem Schrank können Sie die **Schrauben**<sup>(6)</sup> lösen und dann den Abstand zwischen der **oberen Gerätetür**<sup>(19)</sup> und der **oberen Schranktür**<sup>(15)</sup> durch den Federeffekt der **unteren Türbefestigungen**<sup>(5)</sup> anpassen, während Sie die **Schrauben**<sup>(6)</sup> wieder einschrauben.
27. Schieben Sie **Anschlagabdeckung**<sup>(3)</sup> auf den **Türanschlag**<sup>(2)</sup>. (Abb. P2)



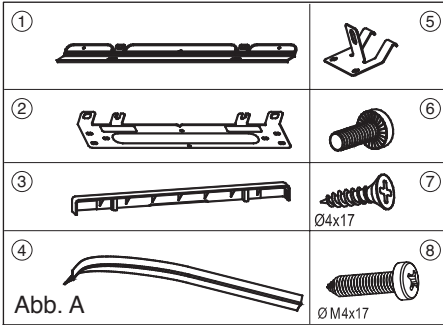


Abb. A

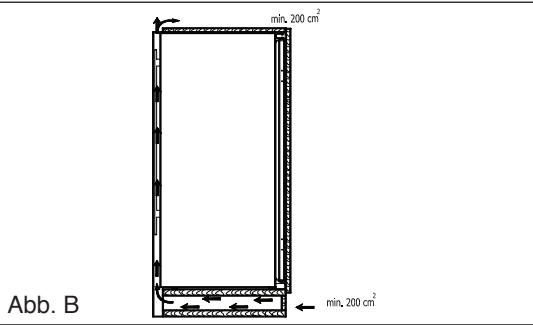


Abb. B

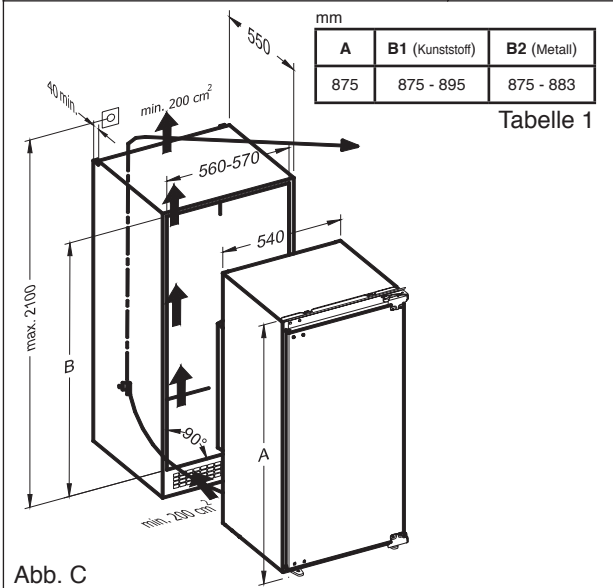


Abb. C

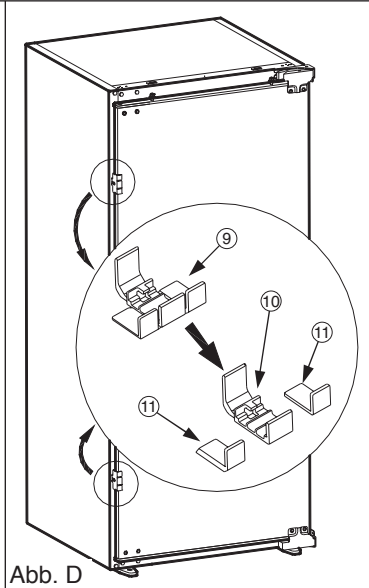


Abb. D

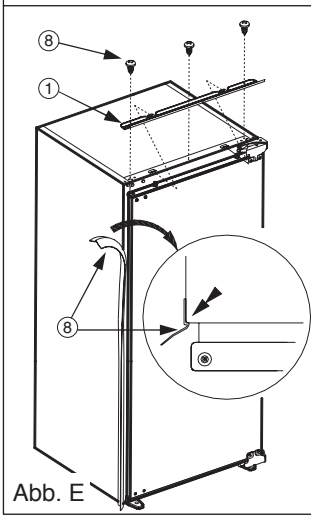


Abb. E

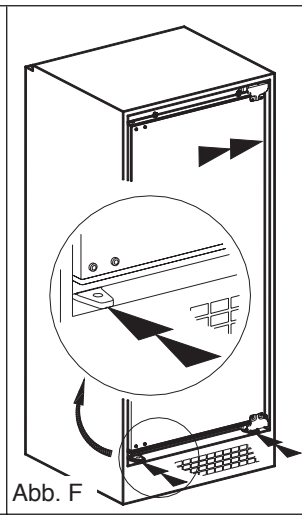


Abb. F

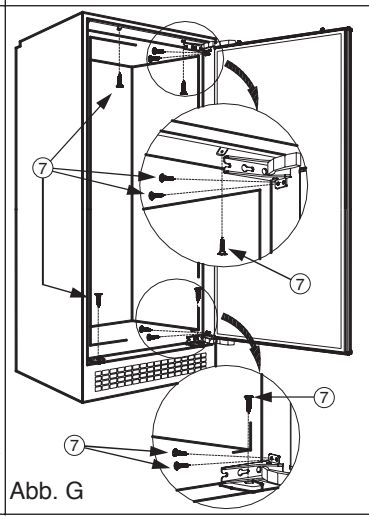


Abb. G

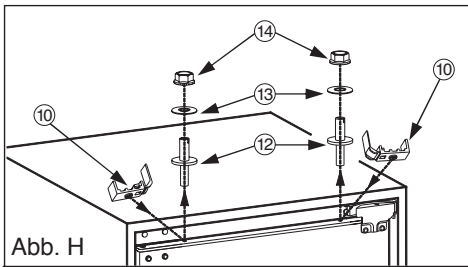


Abb. H

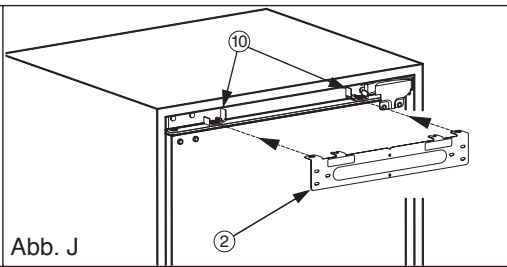


Abb. J

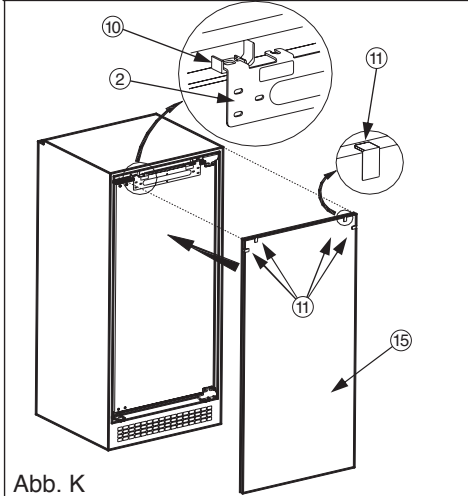


Abb. K

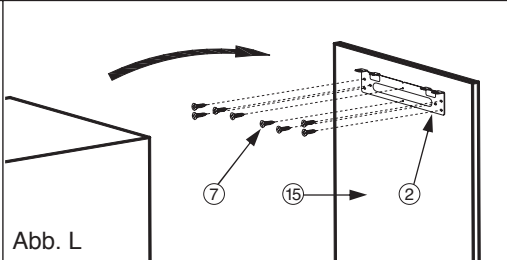


Abb. L

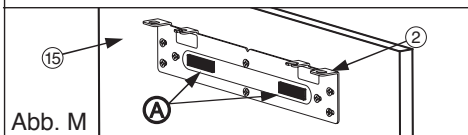


Abb. M

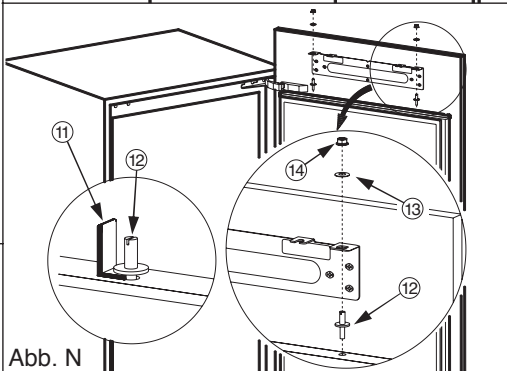


Abb. N

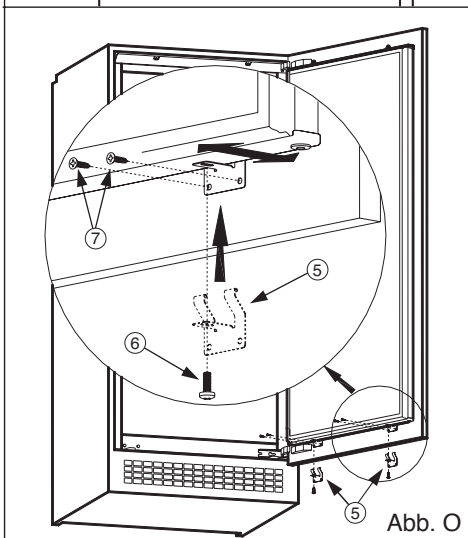


Abb. O

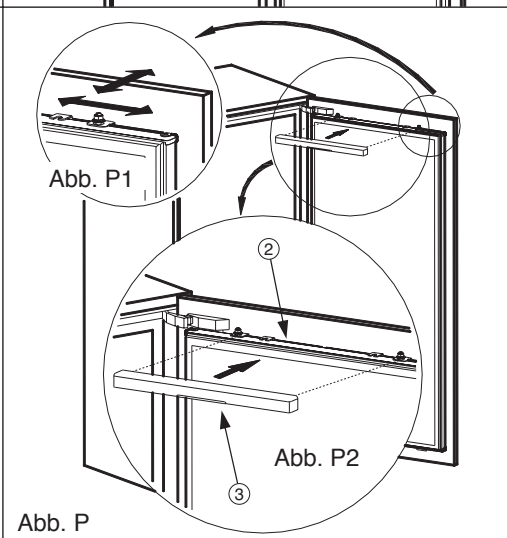


Abb. P

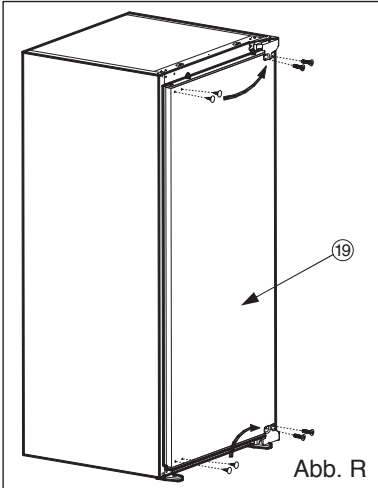


Abb. R

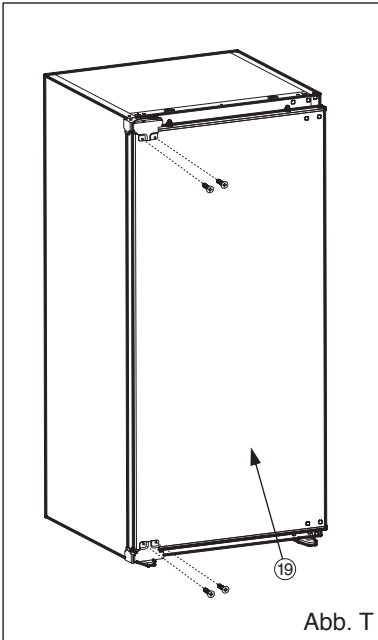


Abb. T

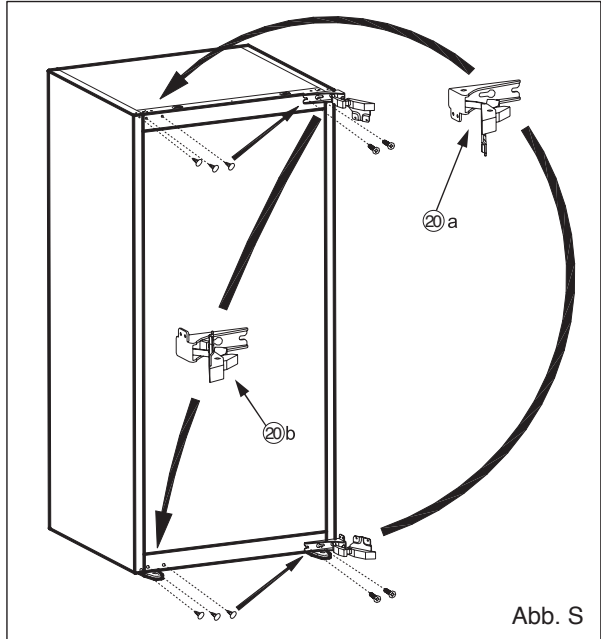


Abb. S

### Türanschlagwechsel

! Achten Sie darauf, Ihre Finger nicht in den Scharnieren einzuklemmen (**oberes Türscharnier<sup>(20-a)</sup>** und **unteres Türscharnier<sup>(20-b)</sup>**).

1. Öffnen Sie die **Gerätetür<sup>(19)</sup>**. (Abb. P)
2. Schrauben Sie die Schrauben auf der Frontfläche der **Gerätetür<sup>(19)</sup>** aus. Stellen Sie die **Gerätetür<sup>(19)</sup>** an einem sicheren Ort ab. (Abb. S)
3. Versetzen Sie die **Bohrlochstopfen** auf der Frontfläche der **Gerätetür<sup>(19)</sup>** in die Bohrungen auf der entgegengesetzten Seite. (Abb. S)
4. Öffnen Sie das **oberes Türscharnier<sup>(20-a)</sup>** und das **untere Türscharnier<sup>(20-b)</sup>**. (Abb. S) und demontieren Sie diese. (Abb. T)
5. Versetzen Sie die **Bohrlochstopfen** auf die gegenüberliegende Seite. (Abb. T)
6. Bauen Sie das **oberes Türscharnier<sup>(20-a)</sup>** und das **untere Türscharnier<sup>(20-b)</sup>** an den ihrer ursprünglichen Position gegenüberliegenden Ecken ein. (Abb. T)

# CONSIGNES DE SÉCURITÉ

Il est important de les lire et de les respecter

Avant d'utiliser l'appareil, lire attentivement les consignes de sécurité. Conservez-les à portée pour consultation ultérieure.

Le présent manuel et l'appareil lui-même contiennent des consignes de sécurité importantes qui doivent être lues et observées en tout temps.

Le Fabricant décline toute responsabilité si les consignes de sécurité ne sont pas respectées, en cas de mauvaise utilisation de l'appareil, ou d'un mauvais réglage des commandes.

⚠ Les enfants en bas âge (0-3 ans) doivent être tenus à l'écart de l'appareil. Les jeunes enfants (3-8 ans) doivent être tenus à l'écart de l'appareil sauf s'ils se trouvent sous surveillance constante. Les enfants âgés de 8 ans et plus, ainsi que les personnes présentant des capacités physiques, sensorielles ou mentales réduites, ou ne possédant ni l'expérience ni les connaissances requises, peuvent utiliser cet appareil sous la surveillance ou les instructions d'une personne responsable leur ayant expliqué l'utilisation de l'appareil en toute sécurité, ainsi que les dangers potentiels. Les enfants ne doivent pas jouer avec l'appareil. Les enfants ne doivent pas nettoyer, ni procéder à l'entretien de l'appareil sans surveillance.

## UTILISATION AUTORISÉE

⚠ ATTENTION : Cet appareil n'est pas conçu pour fonctionner à l'aide d'un dispositif de commutation externe, comme une minuterie ou un système de télécommande.

⚠ Cet appareil est destiné à un usage domestique et peut aussi être utilisé dans les endroits suivants :

cuisines pour le personnel dans les magasins, bureaux et autres environnements de travail ; dans les fermes ; Par les clients dans les hôtels, motels, chambres d'hôtes, et autres résidences similaires.

⚠ Cet appareil n'est pas conçu pour une utilisation professionnelle. N'utilisez pas l'appareil en extérieur.

⚠ L'ampoule utilisée dans l'appareil est spécialement conçue pour des appareils ménagers et ne convient pas à l'éclairage général d'une pièce au domicile (Règlement CE 244/2009).

⚠ L'appareil est conçu pour fonctionner dans des endroits où la température ambiante se trouve dans les plages suivantes, en fonction de la classe climatique indiquée sur la plaque signalétique.

L'appareil peut ne pas fonctionner correctement s'il est exposé pendant une période prolongée à des températures non comprises dans la plage spécifiée.

## Températures ambiantes classe climatique :

SN: De 10 à 32 °C

ST: De 16 à 38 °C;

N: De 16 à 32 °C

T: De 16 à 43 °C



Cet appareil ne contient pas de CFC. Le circuit de réfrigérant contient du R600a (HC).

Appareils avec isobutane (R600a) : l'isobutane est un gaz naturel qui n'est pas nuisible à l'environnement, mais il est inflammable. Par conséquent, assurez-vous que les tuyaux du circuit réfrigérant ne sont pas endommagés, surtout lorsque vous videz le circuit réfrigérant.

**⚠ AVERTISSEMENT :**

N'endommagez pas les tuyaux du circuit de refroidissement de l'appareil.

**⚠ AVERTISSEMENT :** Veillez à ce que les ouvertures de ventilation, dans l'enceinte de l'appareil ou dans la structure intégrée, soient dénuées d'obstructions.

**⚠ AVERTISSEMENT :** N'utilisez pas des moyens mécaniques, électriques ou chimiques différents de ceux recommandés par le fabricant pour accélérer le processus de décongélation.

**⚠ AVERTISSEMENT :** N'utilisez pas ou ne placez pas les dispositifs électriques à l'intérieur des compartiments de l'appareil s'ils ne sont pas du type expressément autorisé par le fabricant.

**⚠ AVERTISSEMENT :** Les machines à glaçons et/ou les distributeurs d'eau non directement raccordés à l'arrivée d'eau doivent être remplis uniquement avec de l'eau potable.

**⚠** N'entreposez pas les substances explosives comme les aérosols et ne placez pas ou n'utilisez pas d'essence ou d'autres matériaux inflammables dans ou près de l'appareil.

**⚠** N'avalez pas le contenu (non toxique) des sacs de glace (dans certains modèles). Ne mangez pas de glaçons ou de bâtonnets glacés immédiatement après les avoir sortis du congélateur; ils pourraient provoquer des brûlures par le gel.

**⚠** Pour les produits conçus pour utiliser un filtre à air à l'intérieur d'un couvercle de ventilateur accessible, le filtre doit toujours être en place lorsque le réfrigérateur est en marche.

**⚠** Ne stockez pas de récipients en verre avec des liquides dans le compartiment congélateur ; ils

pourraient se briser.

N'obstruez pas le ventilateur (si disponible) avec des aliments. Après avoir placé les aliments, vérifiez si la porte des compartiments ferme correctement, en particulier la porte du congélateur.

**⚠** Les joints endommagés doivent être remplacés dès que possible.

**⚠** Utilisez le compartiment réfrigérateur uniquement pour stocker les aliments frais et le compartiment congélateur uniquement pour stocker les aliments surgelés, congeler les aliments frais, et faire des glaçons.

**⚠** Évitez de mettre des aliments non emballés en contact direct avec les surfaces intérieures du compartiment réfrigérateur ou du compartiment congélateur.

Les appareils peuvent être équipés de compartiments spéciaux (compartiment fraîcheur, compartiment « Zéro degré »,...). Sauf spécification différente dans la brochure du produit, ils peuvent être retirés tout en maintenant des performances équivalentes.



Le c-pentane est utilisé en tant qu'agent gonflant dans la mousse d'isolation et est un gaz inflammable.

## **INSTALLATION**

**⚠** L'appareil doit être manipulé et installé par au moins deux personnes - vous pourriez vous blesser.

Utilisez des gants de protection pour le déballage et l'installation - vous pourriez vous couper.

**⚠** L'installation, incluant l'alimentation en eau (selon le modèle), et les connexions électriques, ainsi que les réparations, doivent être exécutées par un technicien qualifié. Ne procédez à aucune réparation

ni à aucun remplacement de pièce sur l'appareil autre que ceux spécifiquement indiqués dans le guide d'utilisation. Gardez les enfants à l'écart du site d'installation. Après avoir déballé l'appareil, assurez-vous qu'il n'a pas été endommagé pendant le transport. En cas de problème, contactez le détaillant ou le Service Après-vente le plus près.

Une fois installé, gardez le matériel d'emballage (sacs en plastique, parties en polystyrène, etc.) hors de la portée des enfants - ils pourraient s'étouffer.

L'appareil ne doit pas être branché à l'alimentation électrique lors de l'installation - vous pourriez vous électrocuter. Au moment de l'installation, assurez-vous que le câble d'alimentation n'est pas endommagé par l'appareil - risque d'incendie ou de choc électrique. Allumez l'appareil uniquement lorsque l'installation est terminée.

⚠ Prenez garde à ne pas endommager les sols (p. ex., les parquets) lorsque vous déplacez l'appareil.

Installez l'appareil sur un sol ou des supports suffisamment résistants pour supporter son poids et dans un endroit adapté à sa taille et à son utilisation. Lors de l'installation de l'appareil, assurez-vous qu'il n'est pas placé près d'une source de chaleur et que les quatre pieds sont stables et reposent sur le sol, en les réglant au besoin.

Assurez-vous aussi que l'appareil est parfaitement de niveau en utilisant un niveau à bulle. Attendez au moins deux heures avant de brancher l'appareil pour s'assurer que le circuit de réfrigération atteint son efficacité maximum.

Toutes les dimensions et

espacements nécessaires pour l'installation de l'appareil sont indiqués dans la brochure d'instructions pour l'installation.

⚠ **AVERTISSEMENT** : Lors de la mise en place de l'appareil, assurez-vous que le câble d'alimentation n'est pas coincé ou endommagé.

⚠ **AVERTISSEMENT** : pour éviter tout danger dû à l'instabilité, le positionnement ou le montage de l'appareil doit être effectué conformément aux instructions du fabricant.

Il est interdit de placer le réfrigérateur de sorte que le tuyau métallique d'une cuisinière à gaz, les tuyaux métalliques de gaz ou d'eau, ou les câbles électriques soient en contact avec la paroi arrière du réfrigérateur (bobine de condenseur).

## **AVERTISSEMENTS ÉLECTRIQUES**


⚠ Il doit être possible de débrancher l'appareil de l'alimentation électrique en retirant la fiche de la prise de courant si elle est accessible, ou à l'aide d'un interrupteur multipolaire en amont de la prise de courant, conformément aux règles de câblage et l'appareil doit être mis à la terre conformément aux normes de sécurité électrique nationales.

⚠ N'utilisez pas de rallonge, de prises multiples ou d'adaptateurs. Une fois l'installation terminée, l'utilisateur ne devra plus pouvoir accéder aux composantes électriques. N'utilisez pas l'appareil si vous êtes mouillé ou si vous êtes pieds nus.


N'utilisez pas cet appareil si le câble d'alimentation ou la prise de courant sont endommagés, si l'appareil ne fonctionne pas correctement, ou s'il a été endommagé ou échappé.


⚠ Si le câble d'alimentation est endommagé, remplacez-le avec un

câble identique par le fabricant ou un de ces techniciens autorisée, ou un technicien qualifié pour éviter les dangers d'électrocution.


 **AVERTISSEMENT** : Ne placez pas les prises portables multiples ou les alimentations électriques portables à l'arrière de l'appareil.

### **NETTOYAGE ET ENTRETIEN**

 **AVERTISSEMENT** : Assurez-vous que l'appareil est éteint et débranché du réseau électrique avant d'effectuer l'entretien - vous pourriez vous électrocuter ; n'utilisez jamais d'équipement de nettoyage à vapeur - risque de choc électrique.

 N'utilisez pas de nettoyeurs abrasifs ou rugueux comme les vaporisateurs pour fenêtre, nettoyeurs, liquides inflammables, nettoyant pour cire, détergents concentrés, désinfectants et nettoyeurs contenant des produits pétroliers ou des particules de plastique à l'intérieur et sur le contour et les joints de la porte. N'utilisez pas d'essuie-tout, de tampons à récurer, ou autres outils de nettoyage rugueux.

### **ÉLIMINATION DES MATÉRIAUX D'EMBALLAGE**

Les matériaux d'emballage sont entièrement recyclables comme l'indique le symbole de recyclage .

Les différentes parties de l'emballage doivent donc être jetées de manière responsable et en totale conformité avec la réglementation des autorités locales régissant la mise au rebut de déchets.


### **MISE AU REBUT DES APPAREILS ÉLECTROMÉNAGERS**

Cet appareil est fabriqué avec des matériaux recyclables ou pouvant être réutilisés. Mettez-le au rebut en vous conformant à la réglementation locale en matière d'élimination des déchets.

Pour toute information supplémentaire sur le traitement et le recyclage des appareils électroménagers, contactez le service local

compétent, le service de collecte des déchets ménagers ou le magasin où vous avez acheté l'appareil. Cet appareil est certifié conforme à la Directive européenne 2012/19/UE relative aux déchets d'équipements électriques et électroniques (DEEE).

En s'assurant que ce produit est correctement mis au rebut, vous contribuerez à empêcher toute conséquence nuisible pour l'environnement et la santé.

Le symbole  figurant sur le produit et sur la documentation qui l'accompagne indique que cet appareil ne doit pas être traité comme un déchet ménager mais doit être remis à un centre de collecte spécialisé dans le recyclage des appareils électriques et électroniques.

### **CONSEILS RELATIFS À L'ÉCONOMIE D'ÉNERGIE**

Pour garantir une ventilation adéquate, suivez les instructions d'installation. Une aération insuffisante à l'arrière du produit augmente la consommation d'énergie et réduit l'efficacité du refroidissement. L'ouverture fréquente de la porte peut augmenter la consommation d'énergie. La température interne de l'appareil et la consommation d'énergie peuvent être affectées par la température ambiante et l'endroit où l'appareil est installé. Le réglage de la température doit toujours prendre ces facteurs en compte. Évitez le plus possible d'ouvrir les portes.

Lors de la décongélation des produits surgelés, placez-les dans le réfrigérateur. La basse température des produits surgelés refroidit les aliments dans le réfrigérateur. Laissez refroidir les aliments et boissons chaudes avant de les placer dans l'appareil. Le positionnement des tablettes dans le réfrigérateur n'affecte pas l'utilisation efficace de l'énergie. Les aliments doivent être placés sur les tablettes de sorte à assurer une bonne circulation de l'air (les aliments ne doivent pas être en contact les uns avec les autres et une certaine distance entre les aliments et la paroi arrière doit être maintenue).

Vous pouvez augmenter la capacité de stockage des aliments congelés en enlevant des paniers et si elle est présente, l'étagère Antigivre.

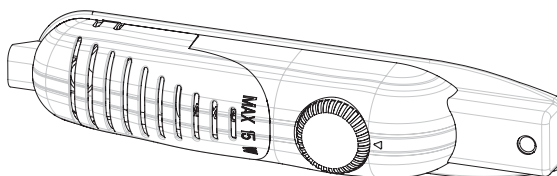
Ne vous inquiétez pas des bruits provenant du compresseur qui sont des bruits de fonctionnement normaux.



# COMMENT FAIRE FONCTIONNER L'APPAREIL

## Réglage du thermostat

- Le thermostat règle automatiquement la température intérieure du réfrigérateur. En tournant le bouton de la position 1. à 5., des températures plus froides peuvent être obtenues.
- La position « • » montre que le thermostat est fermé et aucun refroidissement n'a lieu. Pour un stockage à court terme de l'aliment dans le réfrigérateur, vous pouvez régler le bouton entre les positions minimum et maximum (1-3).
- Pour un stockage à long terme des aliments dans le réfrigérateur, vous pouvez régler le bouton dans la position moyenne (3-4).



**Il faut noter que :** La température ambiante, la température des aliments fraîchement stockés et la fréquence d'ouverture de la porte affectent la température dans le compartiment réfrigérateur.

Si nécessaire, changer le réglage de la température.

- Lorsque vous allumez pour la première fois l'appareil, vous devez idéalement essayer de le faire fonctionner sans aucun aliment pendant 24 heures et ne pas ouvrir la porte. Si vous avez besoin de l'utiliser immédiatement, essayez de ne pas stocker une grande quantité d'aliments à l'intérieur.
- Si l'unité est éteinte ou débranchée, vous devez laisser passer au moins 5 minutes avant de redémarrer pour ne pas endommager le compresseur.
- GARDE-MANGERS (sans étoile) : Les garde-mangers (refroidisseurs) n'ont pas de compartiment congélateur mais peuvent refroidir jusqu'à 4 - 6°C.

## Avertissements à propos des réglages de température

- Il n'est pas recommandé de faire fonctionner votre réfrigérateur dans des environnements dont la température est inférieure à 10°C en termes de rendement.
- Les réglages de température doivent être effectués selon la fréquence d'ouverture de la porte et la quantité d'aliments conservée à l'intérieur du réfrigérateur.
- Votre réfrigérateur doit être actionné jusqu'à 24 heures selon la température ambiante sans interruption après avoir été branché pour pouvoir être totalement refroidi. N'ouvrez pas les portes de votre réfrigérateur fréquemment et ne placez pas trop d'aliments à l'intérieur pendant cette période.
- Une fonction de report de 5 minutes est appliquée pour éviter des dommages au compresseur de votre réfrigérateur, lorsque vous débranchez l'appareil et le rebranchez pour l'utiliser ou en cas de coupure de courant. Votre réfrigérateur commencera à fonctionner normalement après 5 minutes.
- Votre réfrigérateur est conçu pour fonctionner à des intervalles de température ambiante indiqués dans les normes, selon la classe climatique indiquée sur l'étiquette d'informations.  
Nous ne recommandons pas d'utiliser votre réfrigérateur en dehors des limites de valeur de température indiquées en termes d'efficacité de refroidissement.
- Cet appareil est conçu pour être utilisé à une température ambiante dans la plage de 16°C - 32°C.



# CONSERVATION DES ALIMENTS DANS L'APPAREIL

- Le réfrigérateur est utilisé pour stocker des aliments frais pendant quelques jours.
- Disposez les aliments de façon à ce qu'ils n'entrent pas en contact direct avec la paroi arrière du réfrigérateur. Laissez de la place autour des aliments pour permettre à l'air de circuler.
- Ne placez pas d'aliments encore chauds ou des liquides en cours d'évaporation dans les compartiments.
- Assurez-vous toujours que les aliments sont enveloppés ou rangés dans des récipients fermés.
- Pour réduire l'humidité et éviter la formation de givre, ne placez jamais de liquides dans des récipients non scellés dans le réfrigérateur.
- Nous vous recommandons d'envelopper de manière lâche la viande et de la stocker sur l'étagère en verre juste au-dessus du bac à légumes, où l'air est le plus froid.
- Stockez les fruits et légumes en vrac dans les contenants prévus à cet effet.
- Pour éviter que l'air froid ne s'échappe, essayez de ne pas ouvrir la porte trop souvent et ne la laissez pas ouverte longtemps.

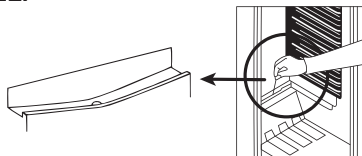
## NETTOYAGE ET ENTRETIEN

- Débranchez l'unité de l'alimentation électrique avant de la nettoyer.
- Ne nettoyez pas l'appareil en y versant de l'eau.
- Assurez-vous que de l'eau n'entre pas dans le boîtier de l'ampoule et d'autres composants électriques.
- Le réfrigérateur doit être nettoyé régulièrement en utilisant une solution de bicarbonate de soude et d'eau tiède.
- Nettoyer les accessoires séparément avec de l'eau et du savon. Ne les nettoyez pas au lave-vaisselle.
- N'utilisez jamais de produits abrasifs ou de détergents. Après le lavage, rincez à l'eau propre et séchez minutieusement. Une fois que vous avez terminé le nettoyage, rebranchez la prise à l'alimentation principale avec les mains sèches.
- Nettoyez le condenseur avec un balai au moins deux fois par an. Cela vous aidera à économiser des coûts de l'énergie et à augmenter la productivité.

### L'ALIMENTATION ÉLECTRIQUE DOIT ÊTRE DÉBRANCHÉE.

#### Dégivrage

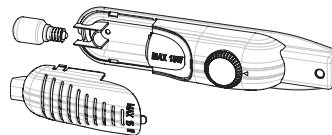
- Le dégivrage se produit automatiquement dans le réfrigérateur pendant le fonctionnement ; l'eau est collectée par le plateau d'évaporation et s'évapore automatiquement.
- Le plateau d'évaporation et le trou de vidange d'eau de dégivrage doivent être nettoyés régulièrement avec le bouchon de vidange de dégivrage pour éviter que l'eau ne s'accumule sur le fond du réfrigérateur au lieu de s'écouler.
- Vous pouvez également nettoyer le trou de vidange en versant ½ verre d'eau à l'intérieur.



#### Remplacement de l'ampoule

Lors du remplacement de l'ampoule du réfrigérateur ;

1. Débrancher l'unité de l'alimentation électrique,
2. Appuyez sur les crochets sur les côtés du capot de l'ampoule et enlevez le capot de l'ampoule
3. Remplacez l'ampoule actuelle par une neuve d'au plus 15 W.
4. Remplacez le capot de l'ampoule et après avoir attendu 5 minutes, branchez l'unité.



#### Remplacement de l'éclairage DEL

Si votre réfrigérateur est équipé d'un éclairage DEL, contactez le service d'assistance car seul le personnel autorisé peut le remplacer.

# TRANSPORT ET MODIFICATION DE LA POSITION D'INSTALLATION

## TRANSPORT ET MODIFICATION DE LA POSITION D'INSTALLATION

- Les emballages d'origine et du polystyrène expansé (PS) peuvent être conservés si nécessaire.
- Pendant le transport, l'appareil doit être fixé avec une chaîne large ou une corde solide. Les instructions indiquées sur la boîte ondulée doivent être suivies pendant le transport.
- Avant de transporter ou de modifier la position de l'installation, tous les objets mobiles (à savoir tablettes, bacs...), doivent être sortis ou fixés avec des bandes afin d'éviter qu'ils ne soient endommagés.

**Transportez votre réfrigérateur dans la position verticale.**

## AVANT D'APPELER VOTRE SERVICE APRÈS-VENTE

Si votre réfrigérateur ne fonctionne pas correctement, il peut s'agir d'un problème mineur, il faut donc vérifier ce qui suit.

### **L'appareil ne fonctionne pas,**

#### **Vérifiez si :**

- Il y a une panne de courant.
- La prise électrique n'est pas branchée correctement, ou est desserrée.
- Le réglage du thermostat est sur la position "0".
- La douille est défectueuse. Pour vérifier cela, branchez un appareil dont vous êtes sûr du fonctionnement dans la même prise.

### **L'appareil fonctionne mal,**

#### **Vérifiez si :**

- Vous n'avez pas surchargé l'appareil.
- La porte est fermée correctement.
- Il n'y a pas suffisamment de conduits de ventilation sur l'unité de cuisine comme mentionné dans le Manuel d'installation.

### **S'il y a du bruit :**

Le gaz de refroidissement qui circule dans le circuit de réfrigérateur peut faire un léger bruit (bruit de bulles) même quand le compresseur ne fonctionne pas. Ne vous inquiétez pas, c'est normal. Si vous entendez des sons différents, vérifiez si :

- L'appareil est installé fermement comme décrit dans le Manuel d'installation.
- Les objets dans l'appareil vibrent.

### **S'il y a de l'eau dans la partie inférieure du réfrigérateur,**

#### **Vérifiez si :**

- le trou de vidange pour l'eau n'est pas obstrué (utilisez le bouchon de vidange de dégivrage pour nettoyer le trou de vidange).

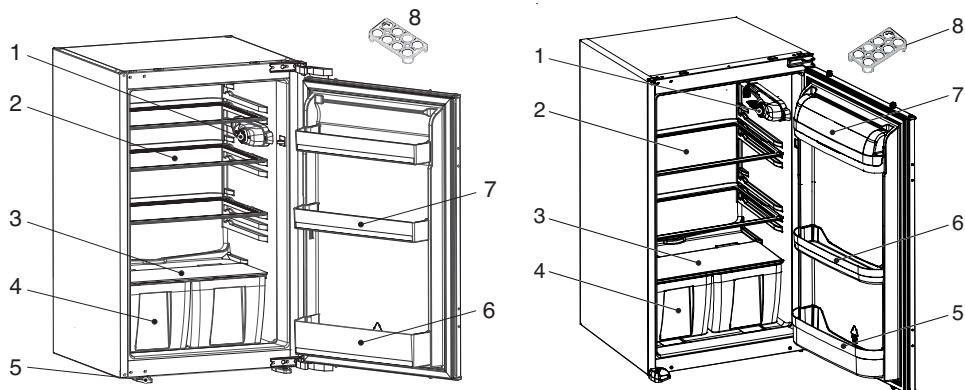
## Recommandations

- Lorsqu'il n'y a pas d'électricité, pour éviter tout dommage au compresseur, vous devez débrancher le réfrigérateur. Vous devez attendre environ 5 – 10 minutes pour rebrancher après le rétablissement de l'alimentation.
- Si vous débranchez le réfrigérateur pour quelque raison que ce soit, vous devez attendre au moins 5 minutes avant de le rebrancher. Cela évite des dommages aux composants du réfrigérateur.
- L'unité de refroidissement de votre réfrigérateur est caché à l'arrière de l'appareil. Donc, des gouttelettes d'eau ou du givre peuvent se former sur la surface arrière de votre réfrigérateur du fait du fonctionnement du compresseur à intervalles spécifiés.. Cela est normal, il n'est pas nécessaire de réaliser un dégivrage tant que la glace n'est pas excessive.
- Si vous n'avez pas l'intention d'utiliser votre réfrigérateur pendant un long moment (par exemple vacances d'été), mettez le thermostat en position «\*». Après le dégivrage, nettoyez votre réfrigérateur et laissez la porte ouverte pour éviter l'humidité et les odeurs.
- Si le problème persiste bien que vous ayez suivi toutes les instructions ci-dessus, consultez le Service Agréé le plus proche.
- L'appareil que vous avez acheté est conçu pour une utilisation à domicile et ne peut être utilisé que dans un but domestique et dûment indiqué. Il n'est pas adapté à une utilisation commerciale ou commune. Si le consommateur utilise l'appareil d'une manière non conforme aux présentes instructions, nous insistons sur le fait que ni le producteur, ni le distributeur ne seront responsables de la moindre réparation ou panne pendant la période de garantie.

## Conseils pour économiser de l'énergie

1. Installez l'appareil dans une pièce sèche bien ventilée, mais pas à la lumière directe du soleil ou à proximité d'une source de chaleur (telle qu'un radiateur, une cuisinière, etc.). Autrement, utilisez une plaque isolante.
2. Laissez refroidir les aliments et boissons chaudes à l'extérieur de l'appareil.
3. Couvrez les boissons ou autres liquides lorsque vous les placez dans l'appareil. Autrement, l'humidité augmente dans l'appareil. Par conséquent, le temps de fonctionnement devient plus long. En outre, la couverture des boissons et liquides aide à préserver les odeurs et les goûts.
4. Essayez d'éviter de garder les portes ouvertes trop longtemps ou d'ouvrir les portes trop fréquemment car l'air chaud entrera dans l'appareil et provoquera l'allumage du compresseur inutilement et souvent.
5. Maintenez les couvercles des compartiments de différentes températures (bacs, refroidisseur, ... etc) fermés
6. Le joint de porte doit être propre et pliable. Remplacez les joints s'ils sont usés.

# LES PIÈCES DE L'APPAREIL ET DES COMPARTIMENTS



Cette présentation est uniquement destinée à donner des informations sur les pièces de l'appareil.  
Les pièces peuvent varier selon le modèle d'appareil.

1. Bouton du thermostat
2. Tablettes du réfrigérateur
3. Couvercle du bac à fruits et légumes
4. Bacs à fruits et légumes
5. PIEDS GAUCHE & DROIT
6. Tablette à bouteilles
7. Tablettes de la porte
8. Support à oeufs

1. Bouton du thermostat
2. Tablettes du réfrigérateur
3. Couvercle du bac à fruits et légumes
4. Bacs à fruits et légumes
5. Tablette à bouteilles
6. Tablettes de la porte
7. Couvercle de la tablette à beurre \*
8. Support à oeufs

\* Sur certains modèles

## Instructions d'installation et réversibilité de la porte pour les versions avec charnières sur rail

! Il est recommandé que l'installation soit réalisée par un personnel technique agréé

! Avant l'installation, il convient de lire attentivement les instructions.

! Installez le réfrigérateur/congélateur dans des unités de cuisine stables uniquement.

! Les dimensions de l'armoire sont différentes du fait du matériau du **volet** <sup>1</sup>.

1. Si le matériau du volet <sup>1</sup> est le plastique, regardez le (Tableau 1/B1) pour les dimensions de l'armoire.
2. Si le matériau du volet <sup>1</sup> est le métal, regardez le (Tableau.1/B2) pour les dimensions de l'armoire.

! Si nécessaire, inversez la porte en suivant les instructions.

1. Voir la fig.A pour les composants de fixation nécessaires.
2. Insérez le **volet** <sup>1</sup> dans la fente et vissez à l'aide des vis 6. (fig.D)
3. Passez le câble électrique à travers l'arbre de ventilation et positionnez-le de sorte que l'appareil puisse être facilement branché une fois installé. (fig.B - fig.C)
4. Sortez le **joint** <sup>4</sup> situé sur le panneau latéral de l'appareil et collez-le sur le côté inverse des charnières de porte de l'appareil. (fig.D - fig.E)
5. Soulevez l'appareil et faites-le coulisser dans l'unité de cuisine.
6. Poussez l'appareil sur le côté inverse des charnières de porte à condition que le **joint** <sup>2</sup> couvre l'espace entre l'appareil et l'unité de cuisine.
7. Alignez les pieds avant avec la surface avant de l'unité de cuisine. (fig.F)
8. Vissez les pieds avant en utilisant des **vis** <sup>5</sup>. (fig.F)
9. Vissez le **volet** <sup>1</sup> à l'unité de cuisine en utilisant des **vis** <sup>5</sup>. (fig.G)
10. Vissez des **guides** <sup>3</sup> à la porte de l'appareil avec des **vis** <sup>6</sup>. (fig.H)
11. Penchez la porte de l'appareil sur la porte de l'unité quand elle est ouverte à angle droit.
12. Faites coulisser les **rails** <sup>4</sup> dans les **guides** <sup>3</sup> en alignant la cannelure. (fig.H)
13. Vissez les **rails** <sup>4</sup> à la porte de l'unité avec des **vis** <sup>5</sup>. (fig.H)
14. Réglez un intervalle d'1~2 mm sur le côté de la poignée entre l'unité elle-même et la porte de l'unité en ajustant les **guides** <sup>3</sup>. Cela est vital pour les performances de l'appareil. (fig.H)

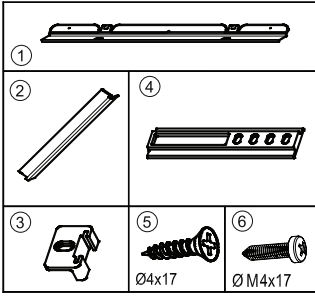


Figure A

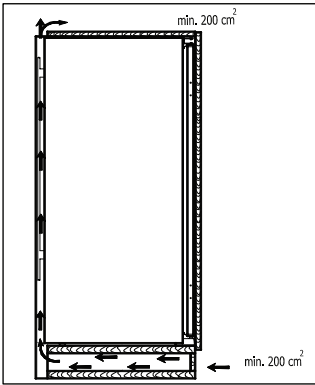


Figure B

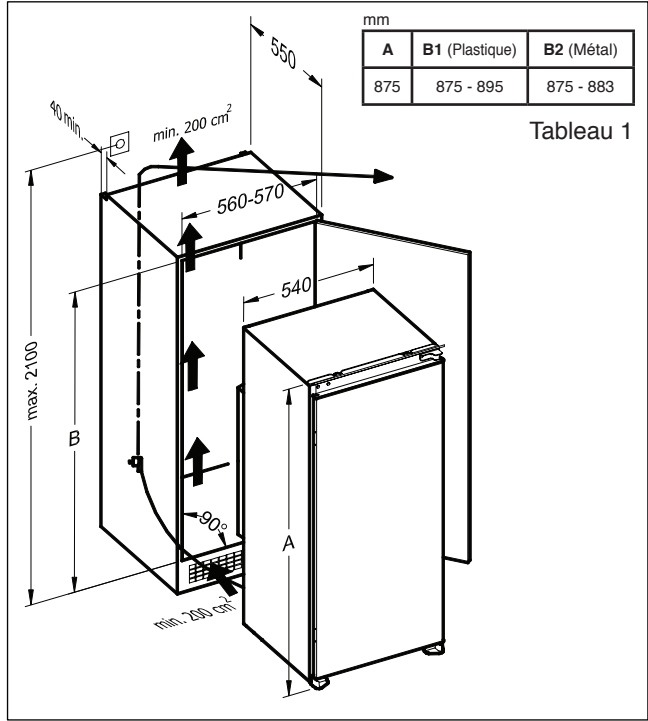


Tableau 1

Figure C

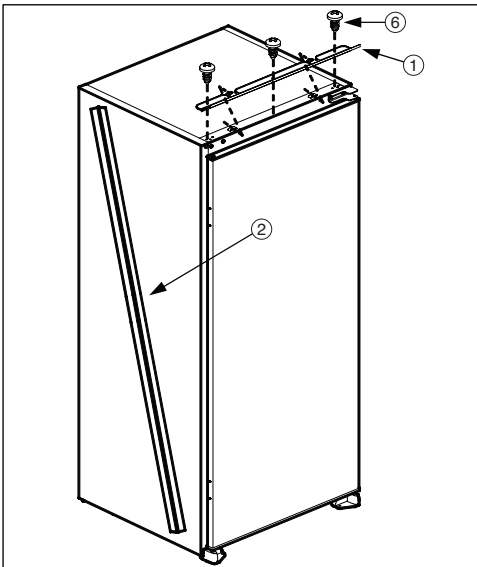


Figure D

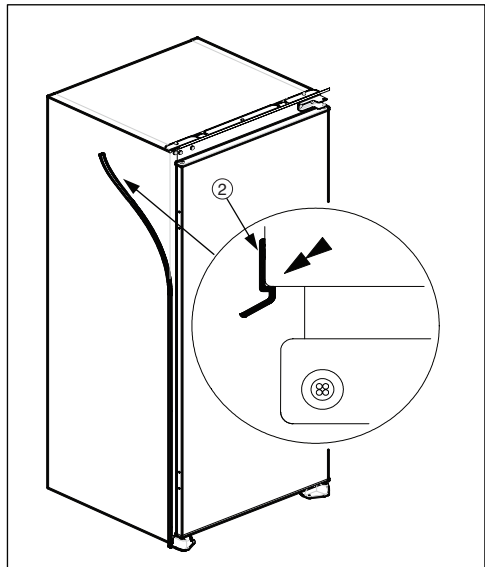


Figure E

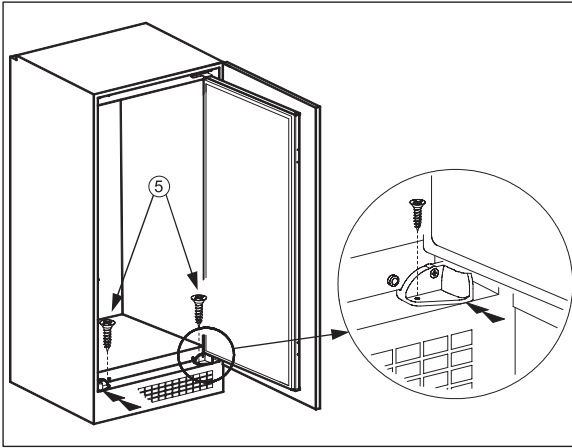


Figure F

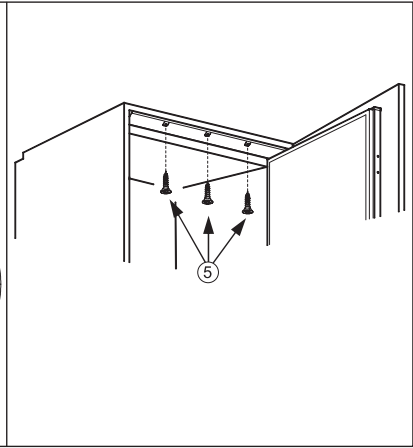


Figure G

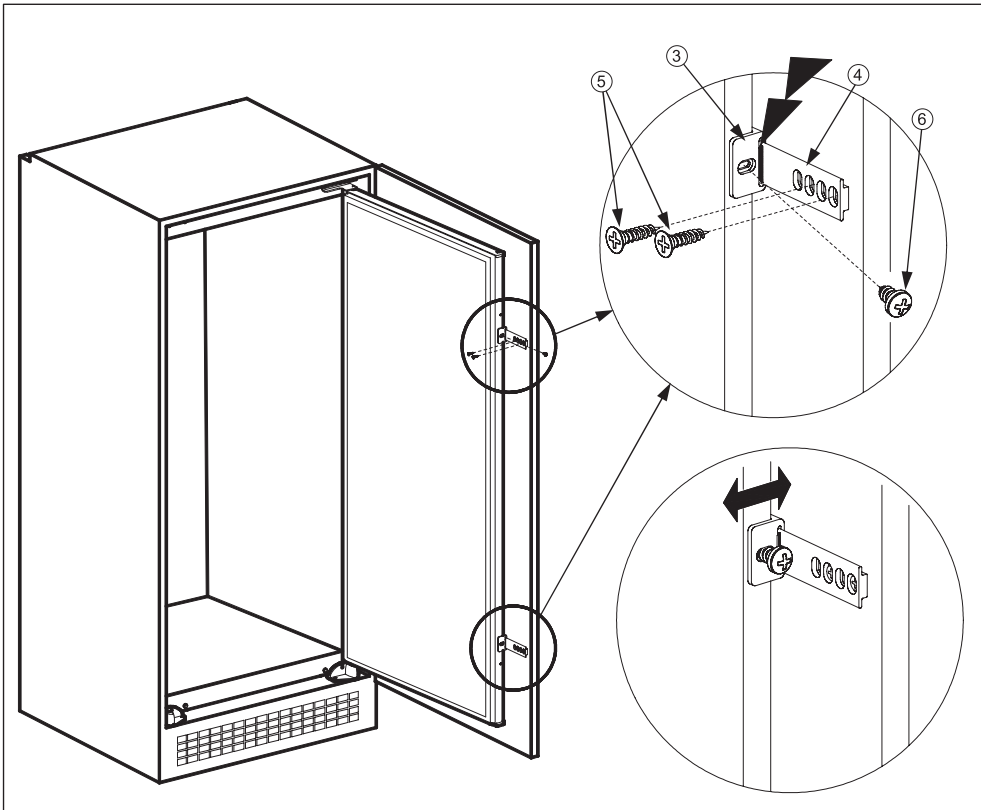


Figure H

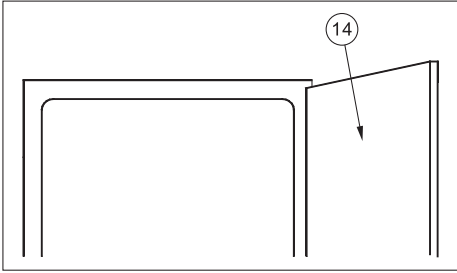


Figure J

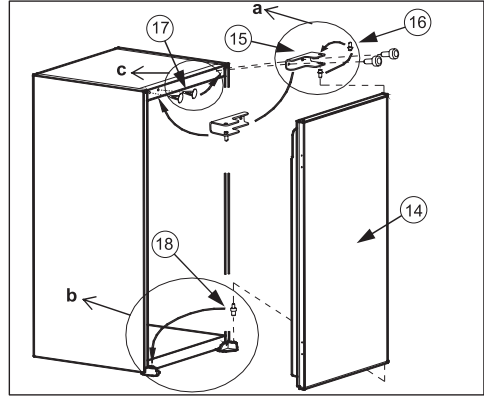


Figure K

### Inversion de porte

1. Ouvrez la **porte de l'appareil** <sup>14</sup>. (fig.J)
2. Démontez la **charnière de porte** <sup>15</sup> et mettez la **porte de l'appareil** <sup>14</sup> dans un endroit sûr. (fig.K)
3. Dévissez la broche de **charnière de porte** <sup>16</sup> et vissez-la fermement sur le côté opposé et mettez- la dans un endroit sûr. (fig.K.a)
4. Mettez la **broche inférieure de porte** <sup>18</sup> sur le côté opposé. (fig.K.b)
5. Placez les **bouchons de trous** <sup>17</sup> sur le côté opposé. (fig.K.c)
6. Placez la **porte de l'appareil** <sup>14</sup> sur la **broche inférieure de porte** <sup>18</sup> et insérez la **broche de charnière de porte** <sup>16</sup> dans le trou de la charnière sur la **porte de l'appareil** <sup>14</sup> et ensuite vissez la **charnière de porte** <sup>15</sup> fermement sur le côté opposé de la position originale. (fig.K)



## Instructions d'installation pour le produit avec des charnières Hettich

! Il est recommandé que l'installation soit réalisée par un personnel technique agréé.

! Avant l'installation, il convient de lire attentivement les instructions.

! Installez le réfrigérateur/congélateur dans des unités de cuisine stables uniquement.

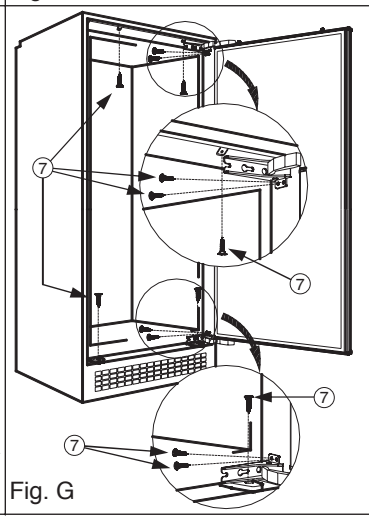
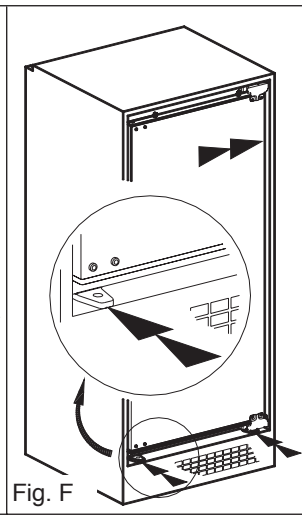
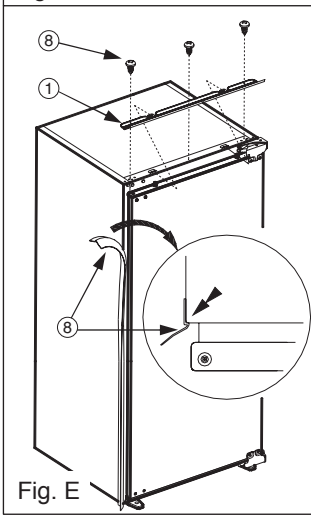
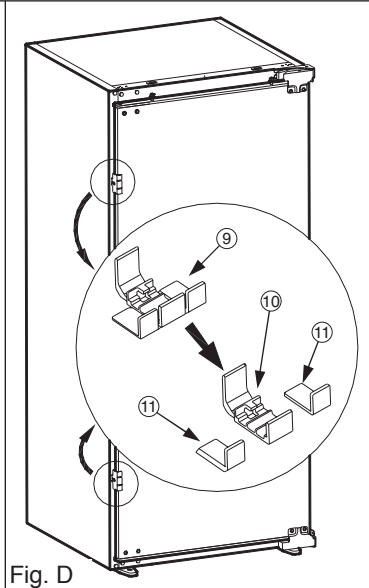
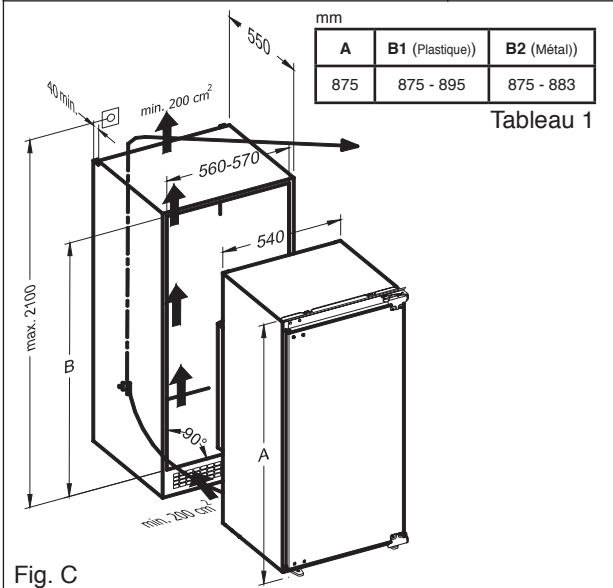
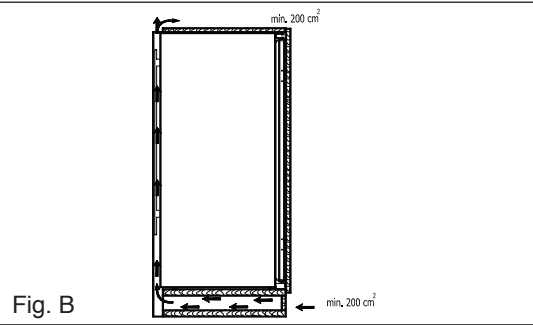
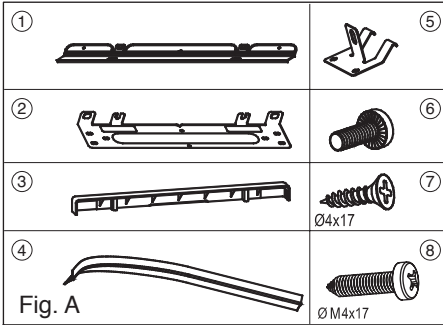
! Les dimensions de l'armoire sont différentes du fait du matériau du **volet**<sup>1</sup>.

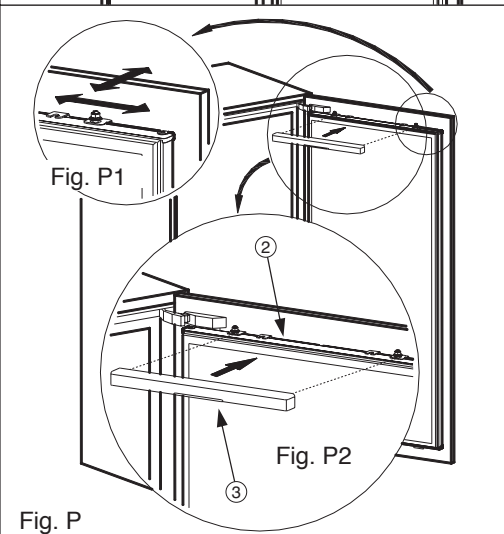
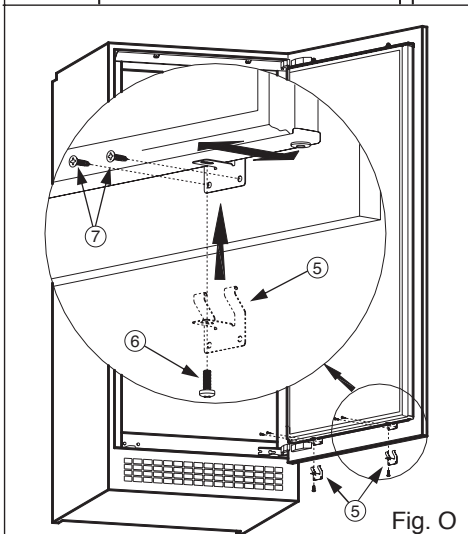
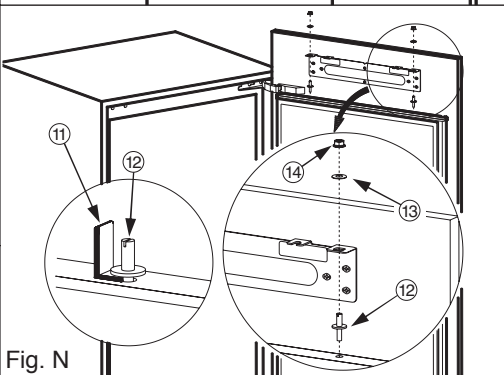
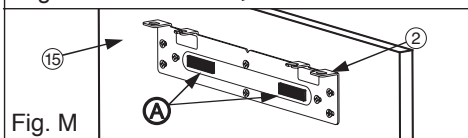
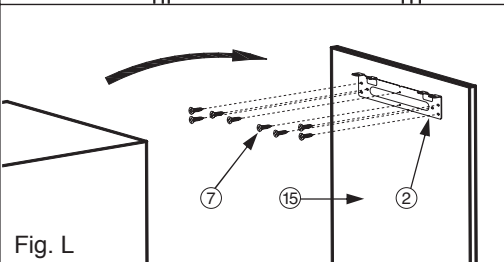
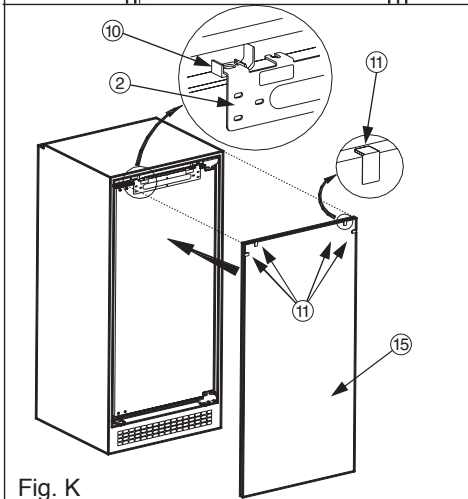
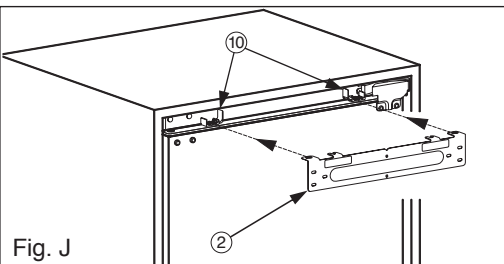
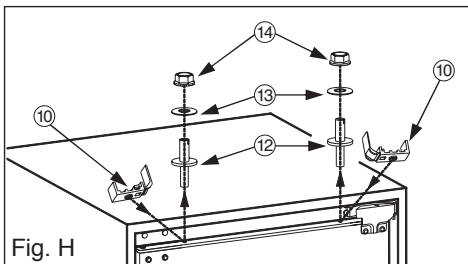
1. Si le matériau du volet<sup>(1)</sup> est le plastique, regardez le (Tableau 1/B1) pour les dimensions de l'armoire.
2. Si le matériau du volet<sup>(1)</sup> est le métal, regardez le (Tableau.1/B2) pour les dimensions de l'armoire.

! Si nécessaire, inversez la porte en suivant les instructions.

1. Voir la fig.A pour les composants de fixation nécessaires.
2. Ouvrez l'emballage. **Prenez l'entretoise du joint**<sup>(9)</sup> et freinez dans trois comme indiqué sur la figure D. La partie centrale est le rail de **suspension de porte**<sup>(10)</sup>. Les deux autres parties sont les **entretoises de porte**<sup>(11)</sup> de l'unité. (fig.D)
3. Insérez le **volet**<sup>(1)</sup> dans la fente et vissez à l'aide de **vis**<sup>(6)</sup>. (fig.E)
4. Passez le câble électrique à travers l'arbre de ventilation et positionnez-le de sorte que l'appareil puisse être facilement branché une fois installé. (fig.B - fig.C)
5. Coupez le **joint**<sup>(4)</sup> à la hauteur de la cavité et collez-le sur le côté inverse des charnières de porte de l'appareil. (fig.E)
6. Soulevez l'appareil et faites-le coulisser dans l'unité de cuisine.
7. Penchez l'appareil sur l'unité de cuisine à travers les charnières et alignez les pieds avant avec la surface avant de l'unité de cuisine. (fig.F)
8. Ouvrez la porte de l'appareil et vissez les pieds avant en utilisant des **vis**<sup>(7)</sup>. (fig.G)
9. Vissez le **volet**<sup>(1)</sup> à l'unité de cuisine en utilisant des **vis**<sup>(7)</sup>. (fig.G)
10. Vissez les charnières à l'unité de cuisine en utilisant des **vis**<sup>(7)</sup>. (fig.G)
11. Fermez la porte de l'appareil. Dévissez et enlevez les **écrous**<sup>(14)</sup>, les **rondelles**<sup>(13)</sup> et les **boulons de réglage**<sup>(12)</sup> de la porte de l'appareil. (fig.H)
12. Sortez les revêtements des bandes sur les rails de **suspension de porte**<sup>(10)</sup>. Placez les rails de **suspension de porte**<sup>(10)</sup> sur la porte de l'appareil en insérant les bosselures sur les trous de la porte de l'appareil, en alignant les surfaces avant des rails de **suspension de porte**<sup>(10)</sup> et la porte de l'appareil parallèles les unes aux autres. Laissez les rails de **suspension de porte**<sup>(10)</sup>, coller sur la porte de l'appareil. (fig.H)
13. Faites coulisser la **suspension de porte**<sup>(2)</sup> dans les rails de **suspension de porte**<sup>(10)</sup>. (fig.J - fig.K)
14. Sortez les revêtements des bandes sur le côté avant de la **suspension de porte**<sup>(2)</sup>.
15. Sortez les revêtements des bandes sur les entretoises de porte de l'unité (11) et collez-les sur la **porte de l'unité**<sup>(15)</sup>, plus près des angles supérieurs. (fig.K)
16. Penchez la **porte de l'unité**<sup>(15)</sup> à la **suspension de porte**<sup>(2)</sup>, en alignant les entretoises de la **porte de l'unité**<sup>(11)</sup> sur les bords gauche, droit et supérieur avec les côtés de l'unité ou les portes des unités de cuisine plus proches et supérieures. (fig.K)
17. Assurez-vous que la **porte de l'unité**<sup>(15)</sup> colle sur la **suspension de porte**<sup>(2)</sup>. Tirez la **porte de l'unité**<sup>(15)</sup> en laissant la **suspension de porte**<sup>(2)</sup> coulisser hors des rails de **suspension**<sup>(10)</sup> de la porte. Observez que la **suspension de porte**<sup>(2)</sup> reste collée sur la **porte de l'unité**<sup>(15)</sup>. (fig.L)

18. Couchez la **porte de l'unité**<sup>(15)</sup> sur le sol et vissez la **suspension de porte**<sup>(2)</sup> à la **porte de l'unité**<sup>(15)</sup> à l'aide des **vis**<sup>(7)</sup>. (fig.L)
19. Pour surmonter certaines des erreurs de l'ameublement, il existe des cales en plastique(A) collées sur la **suspension de porte**<sup>(2)</sup>. Enlevez ces cales en plastique(A). (fig.M)
20. Enlevez les rails de **suspension de porte**<sup>(10)</sup> de la porte de l'appareil. Vissez les **boulons de réglage**<sup>(12)</sup> sur les trous de la porte de l'appareil en laissant l'espace nécessaire en utilisant une cale de **porte de l'unité**<sup>(11)</sup>. (fig.N)
21. Ouvrez la porte de l'appareil. Placez la **porte de l'unité**<sup>(15)</sup> sur la porte de l'appareil en insérant des **boulons de réglages**<sup>(12)</sup> dans les fentes sur la **suspension de porte**<sup>(2)</sup>. (fig.N)
22. Placez les **rondelles**<sup>(13)</sup> et vissez les **écrous**<sup>(14)</sup> sur les **boulons de réglage**<sup>(12)</sup>. (fig.N)
23. un intervalle de 1~2 mm entre l'unité elle-même et la porte de l'unité est essentiel pour les performances de l'appareil. Fermez la porte et faites un réglage précis de la **porte de l'unité**<sup>(15)</sup> en vissant ou dévissant les **boulons de réglage**<sup>(12)</sup> pour un ajustement vertical et à l'aide des fentes sur la **suspension de porte**<sup>(2)</sup> pour d'autres directions. (fig.P1)
24. Placez les **fixations inférieures de porte**<sup>(5)</sup> sur le fond de la porte de l'appareil entre la porte de l'appareil et la **porte de l'unité**<sup>(15)</sup>. Vissez les **fixations inférieures de porte**<sup>(5)</sup> à la porte de l'appareil avec des **vis**<sup>(6)</sup>. (fig.O)
25. Vissez les **fixations inférieures de porte**<sup>(5)</sup> à la **porte de l'unité**<sup>(15)</sup> à l'aide de **vis**<sup>(7)</sup>. (fig.O)
26. Pour régler l'espace entre la **porte**<sup>(15)</sup> supérieure de l'unité et l'unité elle-même, vous pouvez dévisser les **vis**<sup>(6)</sup> puis ajuster l'espace entre la porte supérieure de l'appareil(19) et la **porte supérieure de l'unité**<sup>(15)</sup> par l'effet ressort des fixations **inférieures de porte**<sup>(5)</sup> tout en revissant les **vis**<sup>(6)</sup>.
27. Faites coulisser le **capot de suspension**<sup>(3)</sup> sur la **suspension de porte**<sup>(2)</sup>. (fig.P2)





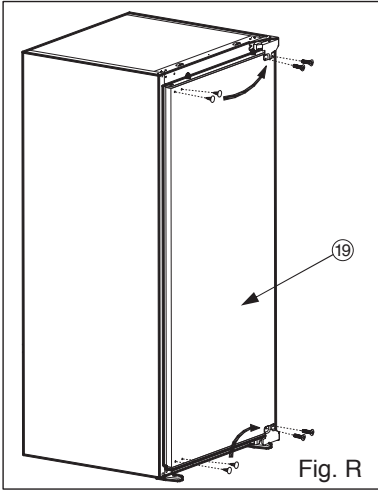


Fig. R

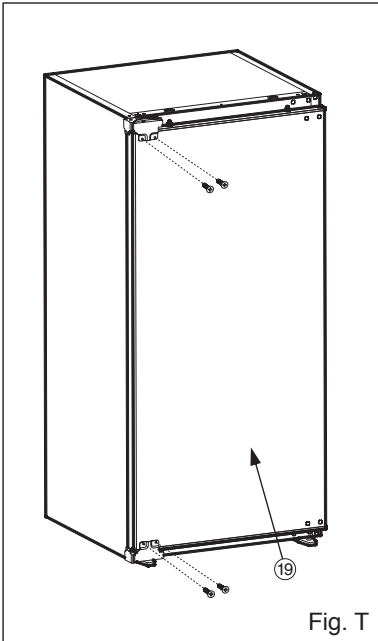


Fig. T

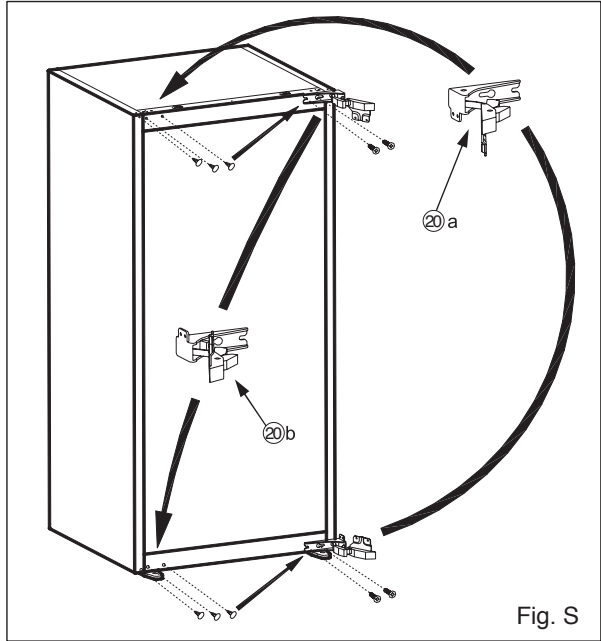


Fig. S

### Inversion de porte

! Faites attention à ne pas vous pincer les doigts dans les charnières (**charnière supérieure de porte<sup>(20-a)</sup>** et **charnière inférieure de porte<sup>(20-b)</sup>**).

1. Ouvrez la **porte de l'appareil<sup>(19)</sup>**. (fig.P)
2. Dévissez les vis sur la surface avant de la **porte de l'appareil<sup>(19)</sup>**. Mettez la **porte de l'appareil<sup>(19)</sup>** dans un endroit sûr. (fig.S)
3. Déplacez les bouchons de trou sur la surface avant de la **porte de l'appareil<sup>(19)</sup>**, aux trous sur le côté inverse.(fig.S)
4. Ouvrez la **charnière supérieure de porte<sup>(20-a)</sup>** et la **charnière inférieure de porte<sup>(20-b)</sup>**. (fig.S) et démontez-les. (fig.T)
5. Déplacez les bouchons de trou sur le côté opposé. (fig.T)
6. Assemblez la **charnière supérieure de porte<sup>(20-a)</sup>** et la **charnière inférieure de porte<sup>(20-b)</sup>** aux angles opposés de leur position d'origine. (fig.T)

# VEILIGHEIDSVORSCHRIFTEN


Belangrijk moet worden gelezen en in acht genomen

Lees voordat u het apparaat gaat gebruiken deze veiligheidsinstructies.

Bewaar ze in de buurt voor toekomstige raadpleging.


Deze instructies en het apparaat zelf zijn voorzien van belangrijke veiligheidsaanwijzingen, die te allen tijde moeten worden opgevolgd.


De fabrikant kan niet aansprakelijk gesteld worden voor schade die het gevolg is van het niet opvolgen van deze veiligheidsinstructies, oneigenlijk gebruik of een foute programmering van de regelknoppen.

 Heel kleine kinderen (0-3 jaar) moeten uit de buurt van het apparaat blijven. Jonge kinderen (3-8 jaar) moeten uit de buurt van het apparaat blijven, tenzij ze de hele tijd onder toezicht staan.


Kinderen vanaf 8 jaar en personen met verminderde fysieke, sensorische of mentale vermogens of gebrek aan ervaring en kennis, mogen dit apparaat gebruiken indien ze onder toezicht staan of instructies hebben ontvangen over veilig gebruik en de mogelijke gevaren ervan begrijpen. Kinderen mogen niet spelen met het apparaat. De reiniging en het onderhoud mogen niet door kinderen worden uitgevoerd zonder toezicht.


## TOEGESTAAN GEBRUIK


 **VOORZICHTIG:** Het apparaat is niet geschikt voor inwerkingstelling met een externe schakelaar zoals een timer, of een afzonderlijk systeem met afstandsbediening.

 Dit apparaat is bedoeld voor gebruik in huishoudelijke en gelijkaardige toepassingen zoals: personeelskeukens in winkels, kantoren en overige werkomgevingen; in landbouwbedrijven; door klanten in

hotels, motels, bed & breakfast en andere verblijfsomgevingen.

 Dit apparaat is niet geschikt voor een professioneel gebruik. Gebruik het apparaat niet buiten.

 De lamp die in het apparaat wordt gebruikt is specifiek ontworpen voor huishoudapparaten en is niet geschikt voor ruimteverlichting (EG Verordening 244/2009).

 Het apparaat is bedoeld voor gebruik op plaatsen waar de temperatuur binnen het volgende bereik komt, conform de klimaatklasse op het typeplaatje.


Mogelijk werkt het apparaat niet correct indien het lange tijd op een temperatuur buiten het aangegeven bereik wordt gebruikt.


## Omgevingstemperaturen van klimaatklasse:

SN:	van 10 tot 32 °C
ST:	van 16 tot 38 °C;
N:	van 16 tot 32 °C
T:	van 16 tot 43 °C



Dit apparaat bevat geen CFK. Het koelcircuit bevat R600a (HC). Apparaten met Isobutaan (R600a): isobutaan is een natuurlijk gas dat geen schadelijke invloed heeft op het milieu, maar wel ontvlambaar is. Zorg er daarom voor dat de koelcircuitleidingen niet beschadigd raken, vooral wanneer het koelcircuit geleidigd wordt.

 **WAARSCHUWING:** Beschadig de koelcircuitleidingen van het apparaat niet.

 **WAARSCHUWING:** Houd de ventilatieopeningen in de behuizing van het apparaat of in de ingebouwde

structuur vrij van obstakels.

⚠ **WAARSCHUWING:** Gebruik geen mechanische, elektrische of chemische middelen behalve de middelen aanbevolen door de fabrikant om het ontdooiproces te versnellen.

⚠ **WAARSCHUWING:** Gebruik of plaats geen elektrische apparaten binnenin de apparaatcompartimenten indien deze niet het type zijn dat uitdrukkelijk is goedgekeurd door de Fabrikant.

⚠ **WAARSCHUWING:** IJsmakers en/of waterdispensers die niet rechtstreeks op het waterleidingnet zijn aangesloten, mogen uitsluitend met drinkwater worden gevuld.

⚠ Sla geen ontplofbare stoffen zoals spuitbussen op en gebruik geen benzine of andere brandbare materialen in of in de buurt van het apparaat.

⚠ Slik de (niet-giftige) vloeistof uit de vrieselementen niet in (bij enkele modellen). Eet geen ijsblokjes of waterijsjes die net uit de vriezer komen, aangezien deze vriesbrandwonden kunnen veroorzaken.

⚠ Bij producten ontworpen voor gebruik met een luchtfilter in een toegankelijke ventilatorafdekking, moet het filter altijd zijn aangebracht wanneer de koelkast in bedrijf is.

⚠ Bewaar geen glazen containers met vloeistoffen in het diepvriescompartiment, omdat ze kunnen breken. Blokkeer de ventilator (indien aanwezig) niet met levensmiddelen. Nadat de levensmiddelen in het apparaat zijn geplaatst dient gecontroleerd te worden of de deuren van de vakken goed sluiten, met name de deur van het vriesvak.

⚠ Een beschadigde afdichting dient zo snel mogelijk vervangen te worden.

⚠ Gebruik het koelkastcompartiment uitsluitend voor het bewaren van vers voedsel en het diepvriescompartiment uitsluitend voor het bewaren van bevroren voedsel, het invriezen van vers voedsel en het maken van ijsblokjes.

⚠ Vermijd het bewaren van onverpakt voedsel in direct contact met interne oppervlakken van de koelkast- of diepvriescompartimenten. Apparaten kunnen over speciale compartimenten beschikken (vak voor verse etenswaar, nul gradenvak,...). Indien niet anders gespecificeerd in de productbeschrijving, kunnen deze compartimenten verwijderd worden zonder dat hierdoor de prestaties veranderen.



C-pentaan wordt gebruikt als blaasmiddel in het isolatieschuim en is een licht ontvlambaar gas.

## INSTALLATIE

⚠ Het apparaat moet gehanteerd en geïnstalleerd worden door twee of meer personen - risico van verwondingen. Gebruik beschermende handschoenen om uit te pakken en te installeren - risico van snijwonden.

⚠ Laat de installatie, m.i.v. de aansluiting op het waternet (indien van toepassing), de elektrische aansluitingen en reparaties door een gekwalificeerd technicus verrichten. Repareer of vervang geen enkel onderdeel van het apparaat, behalve als dit expliciet aangegeven wordt in de gebruikershandleiding. Houd kinderen uit de buurt van de installatieplaats. Controleer na het uitpakken van het apparaat



of het tijdens het transport geen beschadigingen heeft opgelopen. Neem in geval van twijfel contact op met uw leverancier of de dichtstbijzijnde Whirlpool Consumentenservice. Na de installatie moet het verpakkingsmateriaal (plastic, piepschuim enz.) buiten het bereik van kinderen bewaard worden - risico voor verstikking. Het apparaat moet worden losgekoppeld van het elektriciteitsnet voordat u installatiewerkzaamheden uitvoert - risico voor elektrocutie. Tijdens de installatie dient u ervoor te zorgen dat het apparaat de voedingskabel niet beschadigt - risico voor brand of elektrocutie. Activeer het apparaat alleen als de installatie is voltooid.

⚠️ Zorg dat u de vloer (bijv. parket) niet beschadigt tijdens het verplaatsen van het apparaat. Installeer het apparaat op een vloer of steun die sterk genoeg is om het gewicht te kunnen hebben, en op een plaats die geschikt is voor grootte en gebruik. Controleer of het apparaat niet vlak naast een warmtebron staat en of de vier pootjes stevig op de vloer rusten, stel ze naar wens af en controleer of het apparaat exact horizontaal staat en gebruik hiervoor een waterpas. Wacht minstens twee uur alvorens het apparaat in te schakelen om zeker te stellen dat het koelcircuit volledig efficiënt is.

De ruimte die nodig is voor de installatie van het apparaat is aangegeven in de handleiding.

⚠️ **WAARSCHUWING:** Zorg er bij het plaatsen van het apparaat voor dat de voedings snoer niet geklemd zit of beschadigd is.

⚠️ **WAARSCHUWING:** Om gevaar als gevolg van instabiliteit te voorkomen, moet de positionering of bevestiging van het apparaat worden uitgevoerd

volgens de instructies van de fabrikant.

Het is verboden de koelkast dusdanig te plaatsen dat de metalen slang van de gaskachel, de metalen gas- of waterleidingen of de elektrische draden in contact komen met de achterwand van de koelkast (condensatorspoel).

## **ELEKTRISCHE WAARSCHUWINGEN**

⚠️ Het moet mogelijk zijn het apparaat van het elektriciteitsnet af te koppelen door de stekker uit het stopcontact te halen of via een meerpolige netschakelaar die bovenstreams van het stopcontact is geplaatst conform de bedradingsvoorschriften en het apparaat dient geaard te zijn conform de nationale veiligheidsnormen voor elektriciteit.

⚠️ Gebruik geen verlengsnoeren, meervoudige stopcontacten of adapters. Als de installatie voltooid is, mogen de elektrische onderdelen niet meer toegankelijk zijn voor de gebruiker. Gebruik het apparaat niet wanneer u natte voeten hebt of blootsvoets bent.


Gebruik het apparaat niet als de stroomkabel of de stekker beschadigd is, als het apparaat niet goed werkt of als het beschadigd of gevallen is.


⚠️ Als de voedingskabel beschadigd is, moet het door de fabrikant, zijn technicus of een gelijkaardig gekwalificeerd persoon vervangen worden door een identieke kabel, om gevaarlijke situaties en risico van elektrocutie te voorkomen.

⚠️ **WAARSCHUWING:** Meerdere draagbare stopcontacten of draagbare voedingen mogen niet aan de achterkant van het apparaat worden geplaatst.



## REINIGING EN ONDERHOUD

 **WAARSCHUWING:** Het apparaat moet worden losgekoppeld van het elektriciteitsnet voordat u installatiewerkzaamheden uitvoert; gebruik nooit stoomreinigers - risico van elektrocutie.

 Gebruik op kunststof onderdelen, binnen- en deurranden of afdichtingen geen schurende of agressieve schoonmaakmiddelen zoals ruitensprays, schurende reinigingsmiddelen, brandbare vloeistoffen, schoonmaakwassen, geconcentreerde schoonmaakmiddelen, bleekmiddelen en reinigingsmiddelen die aardolieproducten bevatten. Gebruik geen papieren handdoeken, schuursponsjes of ander hard schoonmaakmateriaal.

## VERWERKING VAN DE VERPAKKING

De verpakking kan volledig gerecycled worden, zoals door het recyclingssymbool wordt aangegeven .

De diverse onderdelen van de verpakking mogen daarom niet bij het gewone huisvuil worden weggegooid, maar moeten worden afgevoerd volgens de plaatselijke voorschriften.

## AFDANKEN VAN HUISHOUDELIJKE APPARATUUR

Dit apparaat is vervaardigd van recyclebaar of herbruikbaar materiaal.

Dank het apparaat af in overeenstemming met plaatselijke milieuvorschriften voor afvalverwerking.

Voor meer informatie over behandeling, terugwinning en recycling van huishoudelijke apparaten kunt u contact opnemen met uw plaatselijke instantie, de vuilnisophaaldienst of de winkel waar u dit apparaat hebt gekocht. Dit apparaat is voorzien van het merkteken volgens de Europese Richtlijn 2012/19/EU inzake Afgedankte elektrische en elektronische apparaten (AEEA).

Door ervoor te zorgen dat dit product correct wordt afgedankt, helpt u mogelijke schadelijke gevolgen voor het milieu en de gezondheid te voorkomen.

Het symbool  op het product of op de begeleidende documentatie geeft aan dat dit apparaat niet als huishoudelijk afval behandeld mag worden, maar dat het ingeleverd moet worden bij een speciaal inzamelingscentrum voor de recycling van elektrische en elektronische apparatuur.

## TIPS OM ENERGIE TE BESPAREN

Volg de installatie-instructies om voldoende ventilatie te garanderen.

Door onvoldoende ventilatie aan de achterzijde van het product neemt het energieverbruik toe en neemt de koefficiëntie af.

Wanneer de deur vaak wordt geopend kan dit leiden tot een verhoogd Energieverbruik. De interne temperatuur van het apparaat en het Energieverbruik worden beïnvloed door de omgevingstemperatuur en de plaats waar het apparaat opgesteld is. Bij het instellen van de temperatuur moet rekening gehouden worden met deze factoren. Beperk het openen van deuren tot een minimum.

Plaats diepgevroren etenswaren die u wilt ontdooien in de koelkast. De lage temperatuur van de diepgevroren etenswaar koelt de etenswaar in de koelkast. Laat warme gerechten en dranken eerst afkoelen voordat ze in het apparaat geplaatst worden.

De positionering van de platen in de koelkast heeft geen invloed op het efficiënte energiegebruik. De etenswaar dient zodanig op de platen geplaatst te worden om voor voldoende luchtcirculatie te zorgen (de verschillende etenswaar dient elkaar niet te raken en de afstand tussen de etenswaar en de achterwand moet behouden blijven).

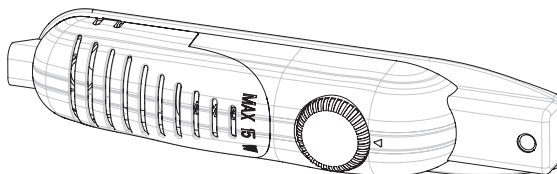
U kunt de opslagcapaciteit voor ingevroren etenswaar vergroten door opslagmanden en, indien aanwezig, de Stop Frost-plaat te verwijderen.

Wees niet verontrust over geluiden die van de compressor komen want dat zijn de normale geluiden van werking.

# GEBRUIK VAN HET APPARAAT

## Thermostaat instellen

- De thermostaat stelt de binnentemperatuur van de koelkast automatisch af. Door de knop te draaien van stand 1 naar 5 worden koudere temperaturen ingesteld.
- De stand “•” geeft aan dat de thermostaat gesloten is en dat er niet gekoeld wordt.
- Voor het bewaren van voedsel in de koelkast voor korte tijd zet u de knop tussen de minimumstand en de middenstand (1-3).
- Voor het bewaren van voedsel in de koelkast voor lange tijd zet u de knop op de middenstand (3-4).



**Let op:** De omgevingstemperatuur, de temperatuur van het vers opgeslagen voedsel en het aantal malen dat de deur wordt geopend beïnvloeden de temperatuur in de koelkast. Wijzig zo nodig de temperatuurinstelling.

- Wanneer u het apparaat de eerste maal aanzet, moet u het, in het ideale geval, 24 uren lang laten draaien zonder voedsel erin en de deur niet openen. Als u het onmiddellijk moet gebruiken, laad dan geen grote hoeveelheden voedsel erin.
- Als het apparaat wordt uitgeschakeld of de stekker wordt uitgetrokken, moet u tenminste 5 minuten wachten alvorens het apparaat terug in te schakelen om de compressor niet te beschadigen.
- PROVISIEKAMERS (zonder steraanduiding): Provisiekamers (koelers) hebben geen diepvriescompartiment maar kunnen koelen tot 4 - 6°C.

## Waarschuwingen voor temperatuurafstellingen

- Het is raadzaam om, om efficiëntieredenen, de koelkast niet te gebruiken in omgevingen die kouder zijn dan 10°C.
- Temperatuurafstellingen moeten uitgevoerd worden op basis van het aantal malen dat de deur wordt geopend en de hoeveelheid voedsel opgeslagen in de koelkast.
- Uw koelkast dient tot 24 uren ononderbroken te werken naargelang de omgevingstemperatuur, nadat het is aangesloten op het stroomnet, om helemaal koel te worden. Open de deuren van uw koelkast niet vaak en zet geen grote hoeveelheden voedsel erin in deze tijdspanne.
- De functie 5-minutenvertraging treedt in werking om schade aan de compressor van uw koelkast te voorkomen, wanneer u de stekker uit het stopcontact trekt en vervolgens er terug in steekt voor gebruik of wanneer de stroom uitvalt. Uw koelkast begint na 5 minuten normaal te werken.
- Uw koelkast is ontworpen om te werken in de omgevingstemperatuurintervallen die in de normen vastgelegd zijn, op basis van de klimaatklasse vermeld op het informatie-etiket. We raden aan om de koelkast niet te gebruiken buiten de vermelde temperatuurwaardelimiten in verband met de koefficiëntie ervan.
- Dit apparaat is ontworpen voor gebruik bij een omgevingstemperatuur binnen het bereik 16°C - 32°C.

# VOEDSEL OPSLAAN IN HET APPARAAT

- De koelkast wordt gebruikt om verse levensmiddelen enkele dagen lang te bewaren.
- Zet de levensmiddelen niet tegen de achterwand van het koelvak. Zorg voor ruimte rond de levensmiddelen zodat de lucht kan circuleren.
- Zet geen warme levensmiddelen of dampende vloeistoffen in de koelkast.
- Controleer altijd of de voedingsmiddelen ingepakt zijn of zich in gesloten bakjes bevinden.
- Om vocht te reduceren en ijsvorming te voorkomen zet u vloeistoffen nooit in niet-afgedichte bakjes in de koelkast.
- We raden aan om vlees losjes in te pakken en op de glasplaat boven de groentebak te leggen, waar de lucht koeler is.
- Bewaar fruit en groente los in de groente- en fruitladen.
- Open de deur niet te vaak en laat de deur niet lang open staan, zodat de koude lucht niet ontsnapt.

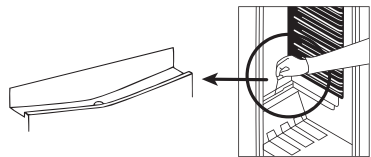
# ONDERHOUD EN REINIGING

- Koppel het apparaat los van de netvoeding alvorens het te reinigen.
- Reinig het apparaat niet door er water in te gieten.
- Zorg ervoor dat er geen water binnendringt in de lampbehuizing en andere elektrische componenten.
- De koelkast moet regelmatig gereinigd worden met een oplossing van natriumbicarbonaat en lauw water.
- Reinig de accessoires afzonderlijk met water en zeep. Reinig ze niet in de vaatwasser.
- Gebruik geen schuur- of reinigingsmiddelen of zeep. Spoel na het wassen met schoon water en droog zorgvuldig af. Steek na het reinigen de stekker terug in het stopcontact met droge handen.
- Reinig de condensor tenminste twee maal per jaar met een bezem. Dat helpt u om te besparen op energiekosten en de productiviteit te verhogen.

## DE STROOMTOEVOER MOET LOSGEKOPPELD WORDEN.

### Ontdooien

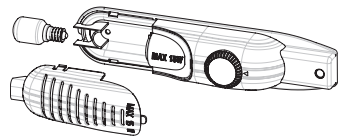
- Ontdooiing wordt automatisch uitgevoerd in de koelkast tijdens de werking; het dooiwater wordt opgevangen in de verdampingsbakje en verdampt automatisch.
- Het verdampingsbakje en de waterafvoeropening moeten regelmatig gereinigd worden met de dooiwaterafvoerplug om te voorkomen dat het water op de bodem van de koelkast wordt verzameld in plaats van te worden afgevoerd.
- U kunt ook een half glas water in de afvoeropening gieten om het te reinigen.



### Vervangen van het lampje

Wanneer u het lampje van de koelkast vervangt;

1. Koppel het apparaat los van de stroomtoevoer
2. Druk op de haakjes aan de zijkanten van de bovenzijde van het lampkapje en verwijder het lampkapje
3. Vervang de aanwezige lamp door een nieuwe van niet meer dan 15 W.
4. Plaats het lampkapje terug, wacht 5 minuten en steek de stekker van het apparaat in het stopcontact.



### Vervangen van de ledverlichting

Als uw koelkast ledverlichting heeft, neemt u contact op met de help desk, aangezien ledverlichting enkel door bevoegd personeel kan worden vervangen.

# TRANSPORT EN VAN INSTALLATIEPLAATS VERANDEREN

## **Transport en van installatieplaats veranderen**

- De originele verpakking en polystyreenschuim (PS) kunnen zo nodig bewaard worden.
- Tijdens het transport moet het apparaat bevestigd worden met een brede band of een sterke kabel. De instructies op de gegolfde doos moeten tijdens het transport gevolgd worden.
- Verwijder alle losse voorwerpen (d.w.z. roosters, groente- en fruitlade, ...) vóór het transport of de verandering van installatieplaats of bevestig ze met riemen zodat ze niet beschadigd worden.

## **Verplaats uw koelkast rechtop.**

# ALVORENS CONTACT MET DE KLANTENSERVICE OP TE NEMEN

Als uw koelkast niet goed werkt, kan het om een klein probleem gaan; controleer daarom het volgende.

## **Het apparaat werkt niet,**

### **Controleer:**

- of de stroom uitgevallen is.
- of de stekker niet goed in het stopcontact steekt of loszit.
- of de thermostaatinstelling in de stand “•” staat.
- of het stopcontact defect is. Sluit als controle een ander apparaat dat werkt aan in hetzelfde stopcontact.

## **Het apparaat werkt slecht,**

### **Controleer:**

- of het apparaat te vol is.
- of de deur goed gesloten is..
- of er voldoende ventilatieleidingen in het keukenblok zijn, zoals aangegeven in de Handleiding voor installatie.

## **Als er geluiden zijn:**

Het koelgas in de koelkastleiding kan een beetje geluid maken (bubbelend geluid), ook wanneer de compressor niet werkt. Maak u geen zorgen, dat is normaal. Als u een ander geluid hoort, controleer:

- of het apparaat onwrikbaar geïnstalleerd is zoals aangegeven in de Handleiding voor installatie.
- of de voorwerpen op het apparaat trillen.

## **Als er water staat in het onderste gedeelte van de koelkast,**

### **Controleer:**

- of de waterafvoeropening niet verstopt is (gebruik de dooiwaterafvoerplug om de afvoeropening te reinigen).

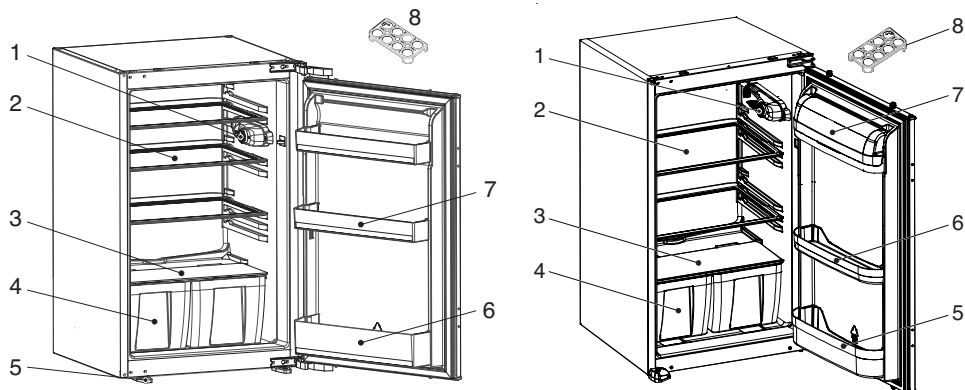
## **Aanbevelingen**

- Wanneer er geen stroomtoevoer is, moet u de koelkast loskoppelen van het stroomnet om beschadiging van de compressor te voorkomen. Wacht 5 – 10 minuten nadat de stroomtoevoer hersteld is alvorens de stekker terug in het stopcontact te steken.
- Als u om eender welke reden de koelkast loskoppelt van het stroomnet, moet u tenminste 5 minuten wachten alvorens het terug op het stroomnet aan te sluiten. Dat voorkomt beschadiging van de onderdelen van de koelkast.
- De koelunit van uw koelkast bevindt zich aan de achterzijde van het apparaat. Er kunnen zich bijgevolg waterdruppels of ijs vormen op de achterwand van uw koelkast door de werking van de compressor met gespecificeerde intervallen. Dit is normaal, ontdooien is niet nodig, tenzij er overmatige ijsvorming is.
- Als u van plan is om de koelkast lange tijd niet te gebruiken (bijv. in de zomervakantie), zet de thermostaat in de stand «•». Maak na het ontdooien de koelkast schoon en laat de deur openstaan om vocht en geuren te voorkomen.
- Als het probleem aanhoudt nadat u alle hierboven staande instructies gevolgd heeft, wend u tot het dichtstbijgelegen bevoegde servicecentrum.
- Het apparaat dat u heeft gekocht is bedoeld voor huishoudelijk gebruik en kan enkel thuis gebruikt worden en voor de vermelde doeleinden. Het is niet geschikt voor commercieel of gemeenschappelijk gebruik. Als de consument het apparaat gebruikt op een wijze die niet conform is, benadrukken we dat de fabrikant en de wederverkoper niet aansprakelijk zijn voor reparaties en storingen binnen de garantieperiode.

## **Tips voor energiebesparing**

1. Installeer het apparaat in een koele, goed geventileerde ruimte, en niet in direct zonlicht en niet naast een warmtebron (radiator, fornuis, enz.). Gebruik anders een isolerende plaat.
2. Laat warme gerechten en dranken afkoelen buiten het apparaat.
3. Dek dranken en andere vloeistoffen af wanneer u ze in het apparaat zet; anders verhoogt het vochtgehalte in de koelkast. Bijgevolg wordt de bedrijfsduur langer. Dranken en andere vloeistoffen afdekken helpt ook de geur en de smaak ervan te bewaren.
4. Laat de deuren niet lang openstaan en open ze niet te vaak: warme lucht stroomt de kast binnen en doet de compressor onnodig vaak inschakelen.
5. Houd de afdekkingen van de compartimenten met verschillende temperaturen (groente- en fruitlade, koeler, enz.) gesloten
6. De deurpakking moet schoon en plooibaar zijn. Vervang versleten pakkingen.

# DE ONDERDELEN VAN HET APPARAAT EN DE COMPARTIMENTEN



Deze beschrijving dient alleen als informatie over de onderdelen van het apparaat.  
Onderdelen kunnen variëren naargelang het model van het apparaat.

1. Thermostaatknop
2. Koelkastroosters
3. Afdekking groente- en fruitlade
4. Groente- en fruitladen
5. Linker & Rechterpootjes
6. Flessenvak
7. Deurvakken
8. Eierrekje

1. Thermostaatknop
2. Koelkastroosters
3. Afdekking groente- en fruitlade
4. Groente- en fruitladen
5. Flessenvak
6. Deurvakken
7. Botervakafdekking \*
8. Eierrekje

\* Op sommige modellen

## **Instructies voor installatie en omkeren van de deur voor uitvoeringen met railscharnieren**

! Het is raadzaam de installatie te laten uitvoeren door bevoegd technisch personeel

! Lees vóór de installatie de instructies zorgvuldig door.

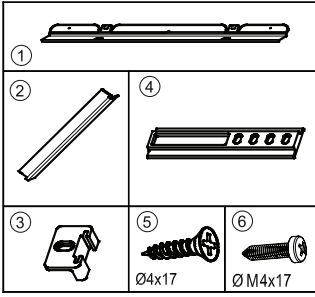
! Plaats de koelkast/vriezer alleen in stabiele keukenblokken.

! Kastafmetingen veranderen als er ander materiaal wordt gebruikt voor de afwerklijst (1).

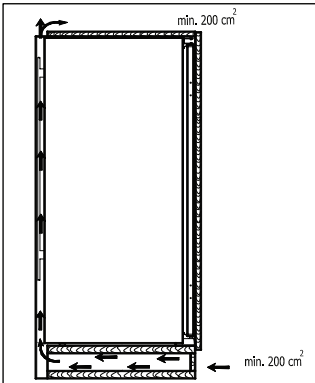
1. Als het materiaal van de afwerklijst (1) plastic is, raadpleeg (Tabel.1/B1) voor kastafmetingen.
2. Als het materiaal van de afwerklijst (1) metaal is, raadpleeg (Tabel.1/B2) voor kastafmetingen.

! Keer zo nodig de deur om volgens de instructies.

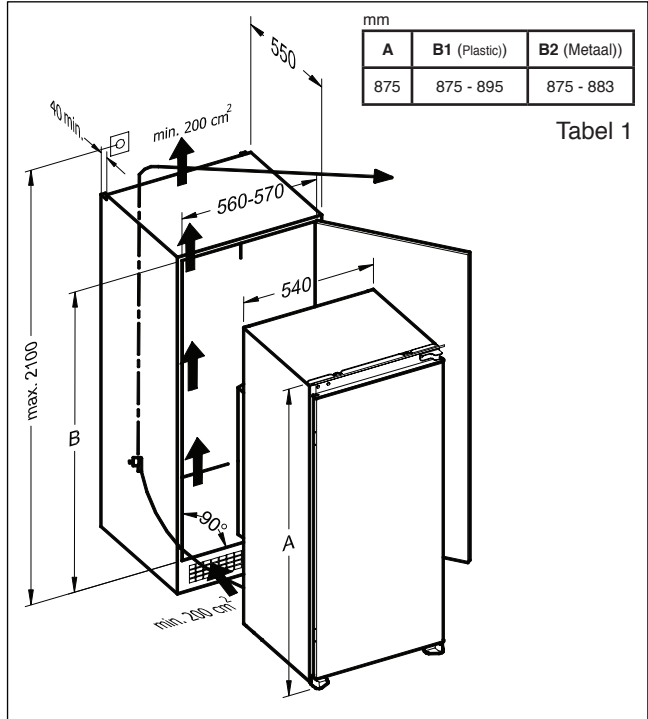
1. Zie afb.A voor de nodige bevestigingsstukken.
2. Duw de afwerklijst (1) in de gleuf en schroef vast met de schroeven (6). (afb.D)
3. Haal de stroomkabel door de ventilatieschacht en positioneer het zodat het apparaat na de installatie gemakkelijk kan worden aangesloten op het stroomnet. (afb.B - afb.C)
4. Neem de afwerkpakking (4) die zich op het zijpaneel van het apparaat bevindt en plak het aan de zijde tegenover de deurscharnieren van het apparaat. (afb.D - afb.E)
5. Hef het apparaat en schuif het in het keukenblok.
6. Duw het apparaat naar de zijde tegenover het deurscharnieren en zorg ervoor dat de afwerkpakking (2) de ruimte tussen het apparaat en het keukenblok afdekt.
7. Lijn de pootjes vooraan uit met de voorzijde van het keukenblok. (afb.F)
8. Schroef de pootjes vooraan vast met de schroeven (5). (afb.F)
9. Schroef de afwerklijst (1) vast op het keukenblok met de schroeven (5). (afb.G)
10. Schroef de geleiders (3) vast op de deur van het apparaat met de schroeven (6). (afb.H)
11. Plaats de deur van het apparaat op de deur van het keukenblok die 90° open staat.
12. Schuif de rails (4) in de geleiders (3), houd de groef uitgelijnd. (afb.H)
13. Schroef de rails (4) op de deur van het keukenblok met de schroeven (5). (afb.H)
14. Stel de geleiders (3) af zodat een ruimte van 1~2 mm aan hendelzijde tussen het keukenblok en de keukenblokdeur ontstaat. Dit is van vitaal belang voor de werking van het apparaat. (afb.H)



Afbeelding A

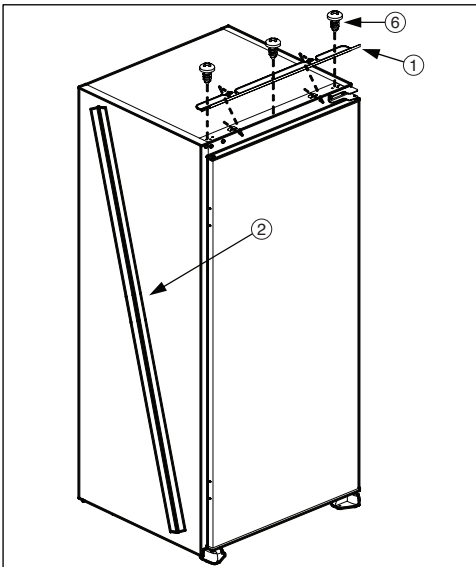


Afbeelding B

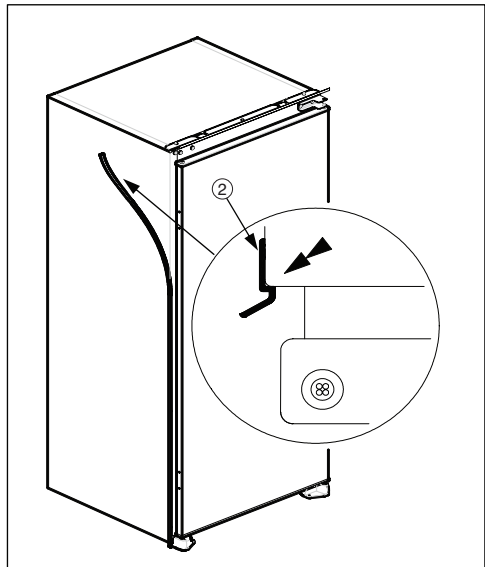


Tabel 1

Afbeelding C

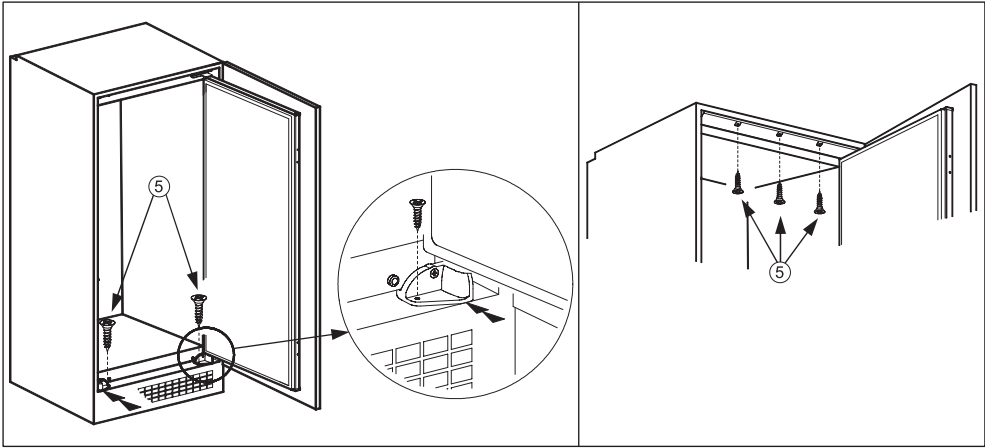


Afbeelding D



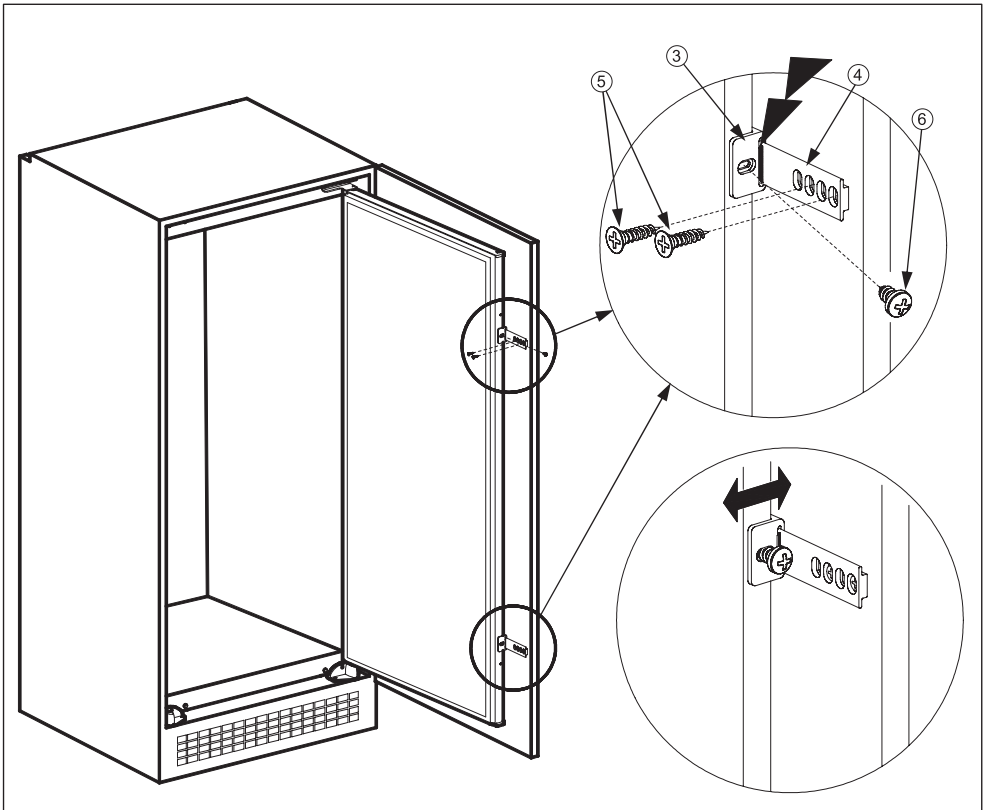
Afbeelding E



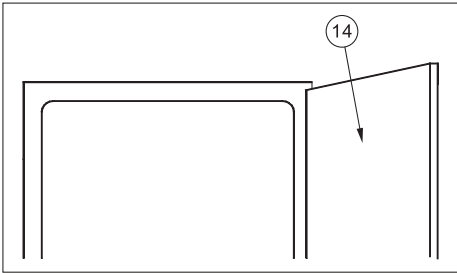


Afbeelding F

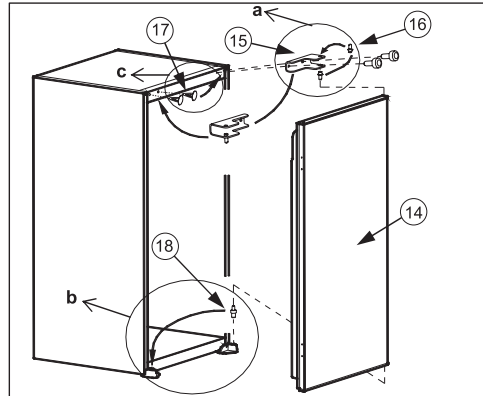
Afbeelding G



Afbeelding H



Afbelding J



Afbelding K

### Deur omkeren

1. Open de deur van het apparaat (14). (afb.J)
2. Demonteer het deurscharnier (15) en zet de deur van het apparaat (14) op een veilige plek. (afb.K)
3. Schroef de pen van het deurscharnier (16) los en schroef het aan de andere zijde stevig vast en leg het op een veilige plek. (afb.K.a)
4. Verplaats de onderste deurpen (18) naar de andere zijde. (afb.K.b)
5. Verplaats de boringstoppen (17) naar de andere zijde. (afb.K.c)
6. Plaats de apparaatdeur (14) op de onderste deurpen 18 en steek de pen van het deurscharnier (16) in het scharniergat op de apparaatdeur (14) en schroef vervolgens het deurscharnier (15) stevig vast op de zijde tegenover de originele positie. (afb.K)

## **Instructies voor installatie van product met Hettich-scharnieren**

! Het is raadzaam deze installatie te laten uitvoeren door bevoegd technisch personeel.

! Lees vóór de installatie de instructies zorgvuldig door.

! Plaats de koelkast/vriezer alleen in stabiele keukenblokken.

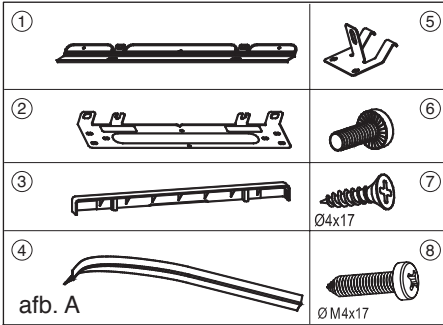
! Kastafmetingen veranderen als er ander materiaal wordt gebruikt voor de afwerklijst (1).

1. Als het materiaal van de afwerklijst<sup>(1)</sup> plastic is, raadpleeg (Tabel.1/B1) voor kastafmetingen.
2. Als het materiaal van de afwerklijst<sup>(1)</sup> metaal is, raadpleeg (Tabel.1/B2) voor kastafmetingen.

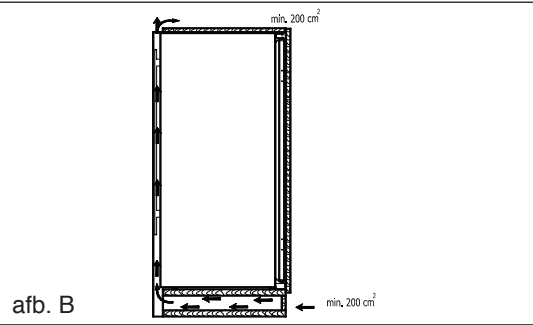
! Keer zo nodig de deur om volgens de instructies.

1. Zie afb.A voor de nodige bevestigingsstukken.
2. Open de verpakking. Neem het pakkingafstandsstuk (9) en breek het in drie stukken zoals getoond op afbeelding D. Het middelste stuk is de deurhangrail (10). De twee andere stukken zijn de afstandsstukken voor de deur van het keukenblok (11). (afb.D)
3. Duw de afwerklijst (1) in de gleuf en schroef het vast met de schroeven(8). (afb.E)
4. Haal de stroomkabel door de ventilatieschacht en positioneer het zodat het apparaat na de installatie gemakkelijk kan worden aangesloten op het stroomnet. (afb.B - afb.C)
5. Snijd de afwerkpakking (4) op de hoogte van de nis en plak het aan de zijde tegenover de deurscharnieren van het apparaat. (afb.E)
6. Hef het apparaat en schuif het in het keukenblok.
7. Zet het apparaat in het keukenblok met de scharnieren en lijn de pootjes vooraan uit met de voorzijde van het keukenblok. (afb.F)
8. Open de deur van het apparaat en schroef de pootjes vooraan vast met de schroeven (7). (afb.G)
9. Schroef de afwerklijst (1) vast op het keukenblok met de schroeven (7). (afb.G)
10. Schroef de scharnieren vast op het keukenblok met de schroeven (7). (afb.G)
11. Sluit de deur van het apparaat. Draai de moeren (14), sluitringen (13) en stelbouten (12) los en verwijder ze uit de deur van het apparaat. (afb.H)
12. Verwijder de beschermstrips van de kleefband op de deurhangrails (10). Plaats de deurhangrails (10) op de deur van het apparaat door de pennen in de boringen van de deur van het apparaat te steken en lijn de voorzijden van de deurhangrails (10) uit met de deur van het apparaat zodat ze evenwijdig zijn. Zorg ervoor dat de deurhangrails (10) aan de deur van het apparaat plakken. (afb.H)
13. Schuif de deurhangstaaf (2) in de hangrails van de deur (10). (afb.J - afb.K)
14. Verwijder de beschermstrips van de kleefband aan de voorzijde van de hangstaaf van de deur (2) uit.
15. Verwijder de beschermstrips van de kleefband op de afstandsstukken van de deur van het keukenblok (11) uit en plak ze op de deur van het keukenblok (15) bij de bovenhoeken. (afb.K)
16. Plaats de deur van het keukenblok(15) tegen de deurhangstaaf (2), en lijn de afstandsstukken van de deur van het keukenblok (11) aan de linker-, rechter- en bovenrand uit met de zijanten van het keukenblok of de deuren van de zijdelings of boven aangrenzende keukenblokken. (afb.K)

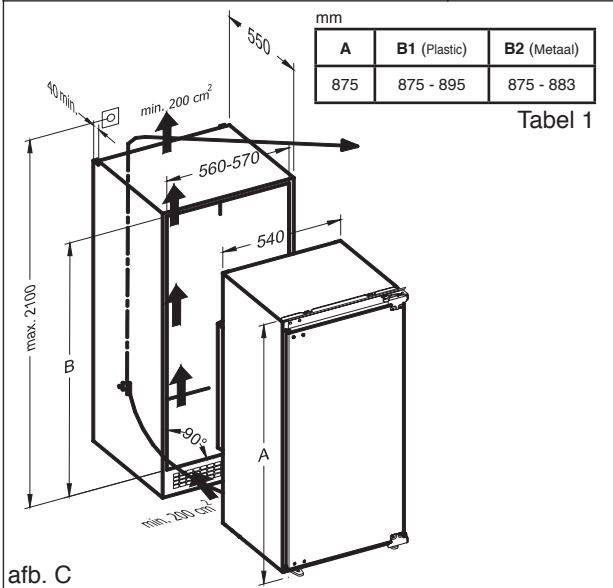
17. Zorg ervoor dat de deur van het keukenblok (15) op de deurhangstaaf (2) plakt. Trek aan de deur van het keukenblok(15) zodat de deurhangstaaf (2) uit de hangrails (10) van de deur schuift. Kijk of de deurhangstaaf (2) aan de deur van het keukenblok (15) blijft plakken. (afb.L)
18. Leg de deur van het keukenblok (15) op de vloer en schroef de deurhangstaa (2) vast op de deur van het keukenblok (15) met de schroeven (7). (afb.L)
19. Om meubeldefecten te corrigeren zijn er plastic afstandsstukken (A) op de deurhangstaa f (2) geplakt. Verwijder deze plastic afstandsstukken (A). (afb.M)
20. Verwijder de deurhangrails (10) van de deur van het apparaat. Schroef de stelbouten (12) in de boringen van de deur van het apparaat en gebruik het afstandsstuk van de deur van het keukenblok (11) om de nodige ruimte te voorzien. (afb.N)
21. Open de deur van het apparaat. Plaats de deur van het keukenblok (15) op de deur van het apparaat en steek de stelbouten (12) in de gleuven op de deurhangstaaf (2). (afb.N)
22. Plaats de sluitringen (13) en schroef de moeren (14) op de stelbouten (12). (afb.N)
23. De ruimte van 1~2 mm tussen het keukenblok en de deur van het keukenblok is van vitaal belang voor de prestaties van het apparaat. Sluit de deur en stel de deur van het keukenblok (15) zorgvuldig af. Schroef de stelbouten (12) los of vast voor de verticale afstelling en gebruik de gleuven op de deurhangstaaf (2) voor de andere richtingen. (afb. P1)
24. Plaats de bevestigingen van de onderkant van de deur (5) op de onderkant van de deur van het apparaat tussen de deur van het apparaat en de deur van het keukenblok (15). Schroef de bevestigingen van de onderkant van de deur (5) vast op de deur van het apparaat met de schroeven (6). (afb.O)
25. Schroef de bevestigingen van de onderkant van de deur (5) vast op de deur van het keukenblok (15) met de schroeven (7). (afb.O)
26. Om de ruimte tussen het bovenste gedeelte van de deur van het keukenblok (15) en het keukenblok af te stellen, kunt u de schroeven (6) losdraaien en vervolgens de ruimte tussen het bovenste gedeelte van de deur van het apparaat (19) en het bovenste gedeelte van de deur van het keukenblok (15) afstellen met het veereffect van de bevestigingen van de onderkant van de deur (5) terwijl u de schroeven(6) terug vastdraait.
27. Schuif de hangstaafbedekking (3) op de deurhangstaaf (2). (afb.P2)



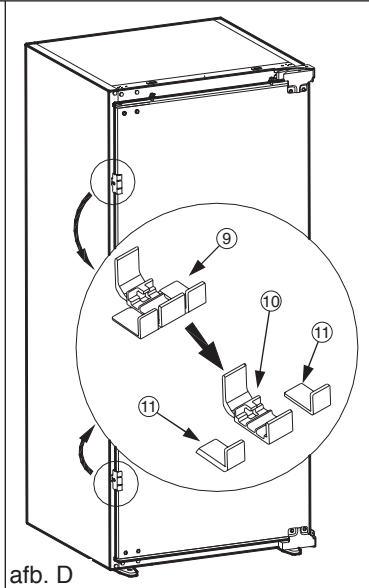
afb. A



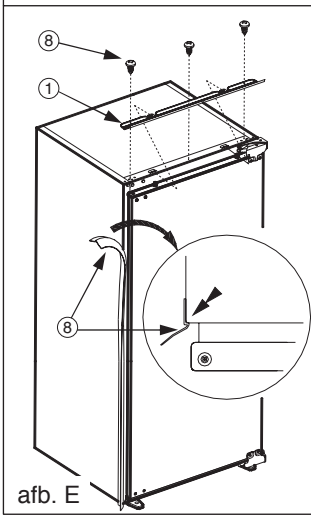
afb. B



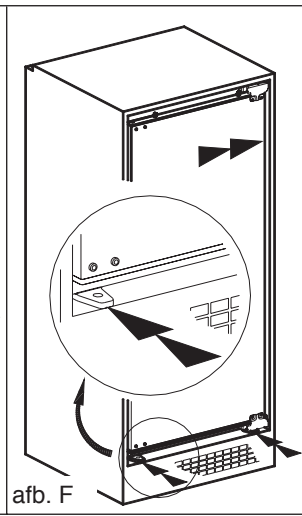
afb. C



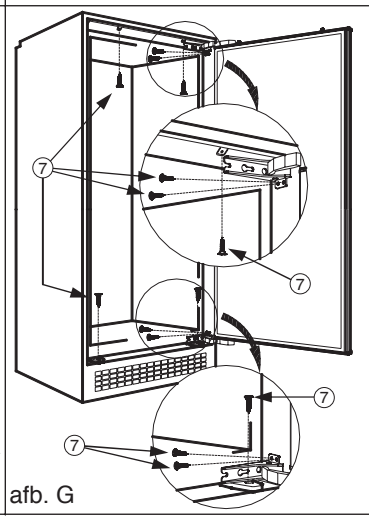
afb. D



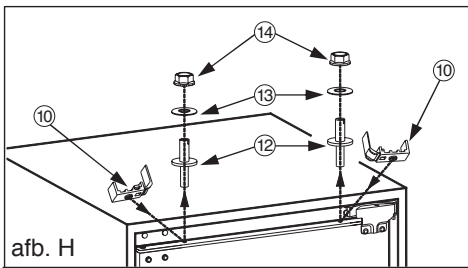
afb. E



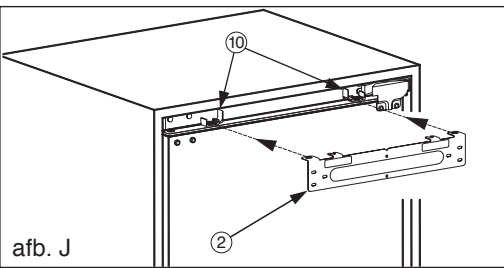
afb. F



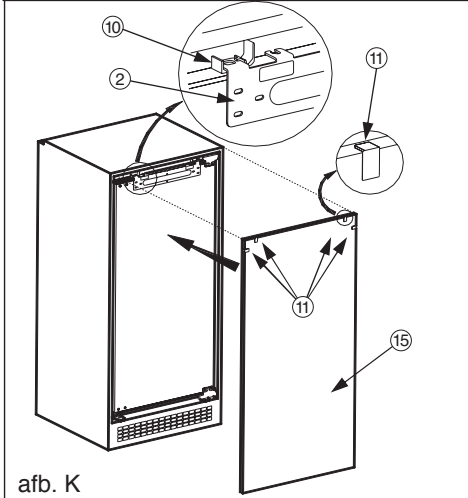
afb. G



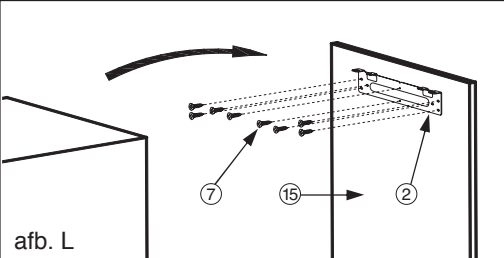
afb. H



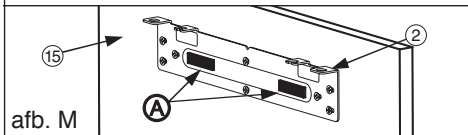
afb. J



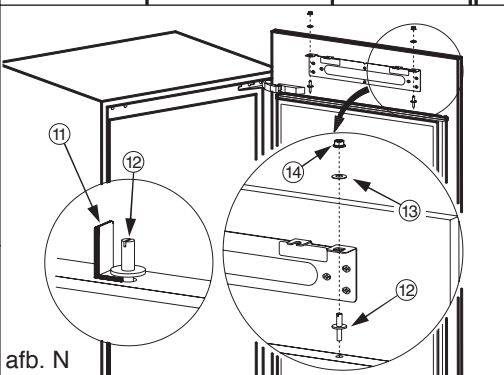
afb. K



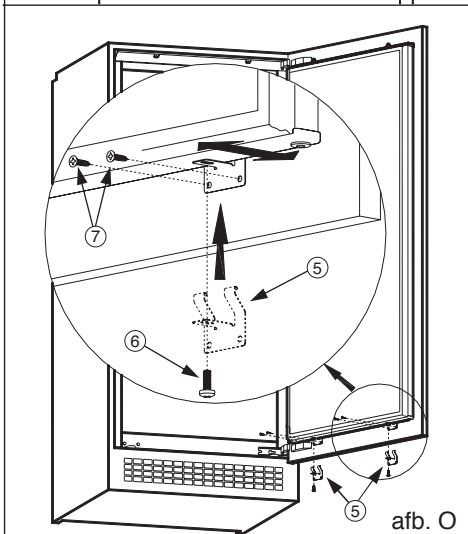
afb. L



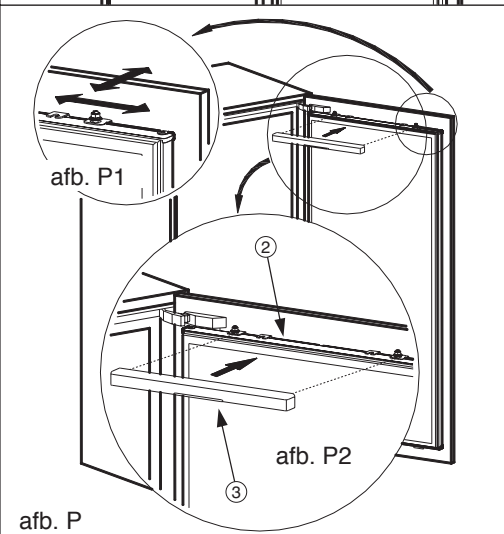
afb. M



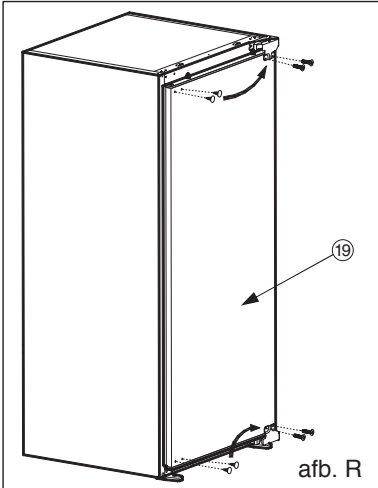
afb. N



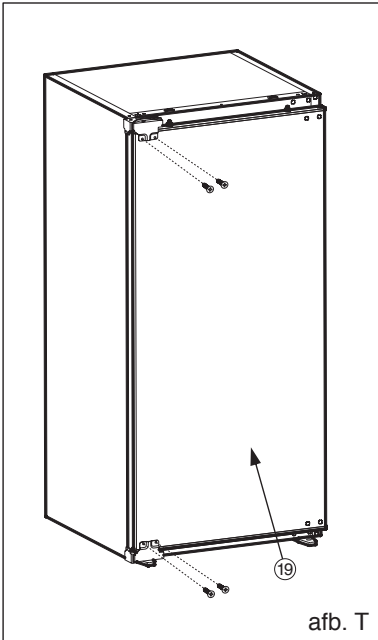
afb. O



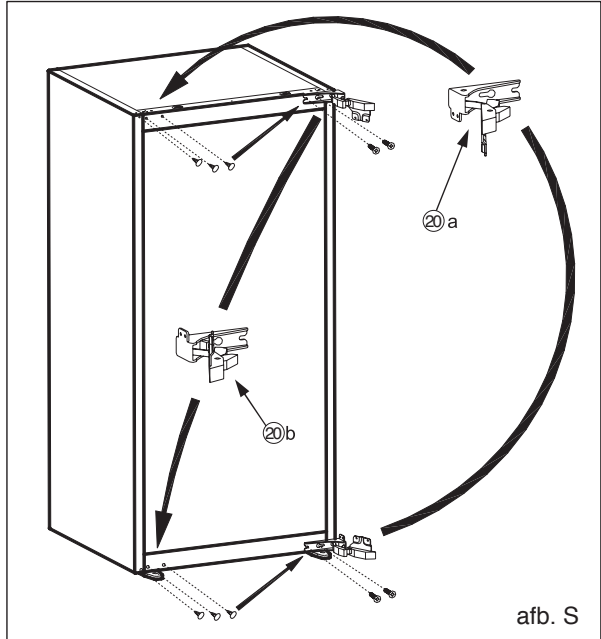
afb. P



afb. R



afb. T



afb. S

### Deur omkeren

! Let goed op zodat u uw vingers niet plet in de scharnieren (bovenste deurscharnier (20-a) en onderste deurscharnier (20-b)).

1. Open de deur van het apparaat (19). (afb.P)
2. Draai de schroeven op de voorzijde van de deur van het apparaat (19) los. Zet de deur van het apparaat (19) op een veilige plek. (afb.S)
3. Verplaats de boringstoppen op de voorzijde van de deur van het apparaat (19) naar de boringen aan de andere kant.(afb.S)
4. Open de bovenste deurscharnier(20-a) en de onderste deurscharnier (20-b). (afb.S) en demonteer ze. (afb.T)
5. Verplaats de boringstoppen naar de andere kant. (afb.T)
6. Monteer de bovenste deurscharnier (20-a) en de onderste deurscharnier (20-b) op de andere hoeken ten opzichte van de originele positie. (afb.T)



400011209802/A

(EN) (DE) (FR) (NL)

