

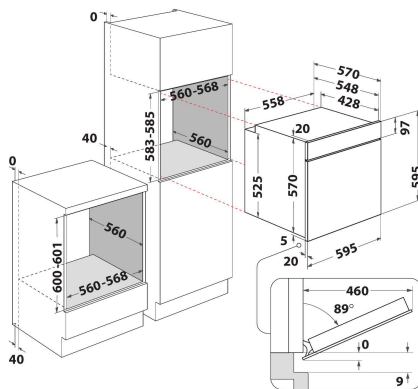
# OMR35HROX

12NC: 859991659930

GTIN (EAN) code: 8003437939228

**Whirlpool**

SENSING THE DIFFERENCE



## MAIN FEATURES

Product group	Pećnica
Commercial code	OMR35HROX
Main colour of product	Inox
Construction type	Ugradbeni
Type of control	Mechanical
Type of control settings	-
Brončana	Ne
Which kind of hobs can be controlled?	-
Automatic programmes	Ne
Current (A)	13
Voltage (V)	220-240
Frequency (Hz)	50/60
Length of Electrical Supply Cord (cm)	100
Plug type	Ne
Depth with open door 90 degree (mm)	-
Height of the product	595
Width of the product	595
Depth of the product	551
Minimum niche height	0
Minimum niche width	0
Niche depth	0
Net weight (kg)	27.2
Usable volume (of cavity)	71
Integrated Cleaning system	Hydrolytic
Grids of the cavity	1
Trays	1

## TECHNICAL FEATURES

Timer	Yes
Time control	Mechanical
Time-setting options	Start and Stop
Safety device	-
Interior light	Yes
Number of interior lights of the cavity	1
Position of interior lights of the cavity	Front left
Oven guides of the cavity	Grids
Probe of the cavity	Ne

## ENERGY LABEL

Energy input	Electric
Type of energy of the cavity	Električna energija
Energy efficiency class - NEW (2010/30/EU)	A
Energy consumption per cycle conventional - NEW (2010/30/EU)	0.81
Energy consumption per cycle forced air convection - NEW (2010/30/EU)	0.90