

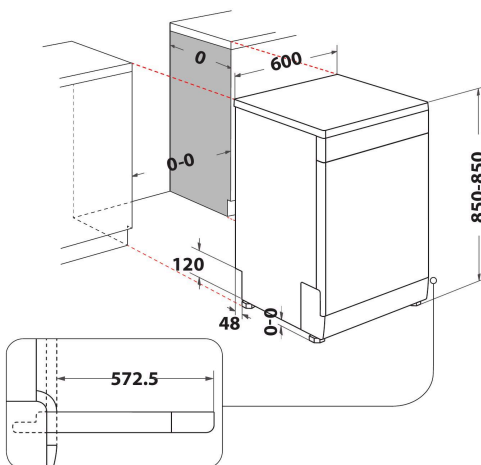
WFE 2B19 X UK N

12NC: 859991615870

GTIN (EAN) code: 8003437226250

Whirlpool

SENSING THE DIFFERENCE



- Installation Type: Free-standing
- Energy class A+
- 13 place settings
- Noise level: 49 dB(A)
- 12 L per cycle (3360 L per year)
- Metallic filter
- Start delay 1-8 h
- Adjustable upper rack
- Half load
- Cutlery basket
- Tablet
- Intensive 65°C
- Prewash
- Express
- Hot water connection
- Eco 50°C
- 13 place settings and 5 programs

Whirlpool dishwasher: inox color, full size - WFE 2B19 X UK N

This Whirlpool Dishwasher features: inox color. A+ energy efficiency class. Adjustable feet, for perfect stability on uneven floors and surfaces. Superb cleaning performance, for ideal washing results. Outstanding drying performance, providing excellent results.



Start Delay

Tailored for you. The Start Delay option allows you to set the Dishwasher to begin its cycle whenever most convenient for you, saving you both time and energy.



Tablet option

Tailored for you. Choose the washing method you prefer. The Tablet option allows you to select a cycle specifically designed for tablet detergents, so you can enjoy ideal results, always.



Adjustable feet

Tailored for you. This Whirlpool Dishwasher includes adjustable feet, so you can effortlessly set the height of your appliance to fit your needs.



13 Place Settings

All the space you need. This Whirlpool Dishwasher provides 13 versatile place settings, so you can enjoy all the space you need, always.



Half load option

Resource-efficient. Save resources when your Dishwasher is only half full. The Half load option optimizes water and power consumption when washing a small load, on both racks.



Energy class F

Energy savings are ensured at energy class F.



Hot Water connection

Hot water connection. This Whirlpool Dishwasher allows direct connection to a hot water pipe (maximum 60°).



External water protection

This Whirlpool Dishwasher includes an external water protection feature, integrated in the supply pipe, that protects from water flooding in case of an unexpected malfunction.



Overflow

Passive water protection system which detects leakages in the tub and prevents flooding in the house. In case of rupture of the tub, the water leaks into the lower compartment of the machine where the floating device triggers the fault alarm. Drain pump is activated and the tub is emptied.

WFE 2B19 X UK N

12NC: 859991615870

GTIN (EAN) code: 8003437226250

Whirlpool

SENSING THE DIFFERENCE

MAIN FEATURES

Construction type	Free-standing
Installation type	Free-standing
Type of control	Electronic
Type of control settings	-
Removable work top	Yes
Door decor panel	N/A
Main colour of product	Inox
Electrical connection rating (W)	1900
Current (A)	13
Voltage (V)	230-240
Frequency (Hz)	50
Length of Electrical Supply Cord (cm)	130
Plug type	UK
Length inlet hose (cm)	155
Length outlet hose (cm)	150
Adjustable plinth	No
Height of removable worktop (mm)	0
Adjustable feet	Yes - all from front
Height of the product	850
Width of the product	600
Depth of the product	590
Depth with open door 90 degree (mm)	-
Minimum niche height	820
Maximum niche height	900
Minimum niche width	0
Maximum niche width	600
Niche depth	590
Net weight (kg)	43.1
Gross weight (kg)	44.9

TECHNICAL FEATURES

Automatic programmes	No
Maximum temperature for water intake (°C)	60
Start delay options	Continuous
Start delay time max. (h)	8
Progress indicator	-
Digital countdown indicator	No
Salt light indicator	Yes
Rinse aid light indicator	Yes
Safety device	N/A
Adjustable upper basket	Yes
Largest loadable dish upper basket (cm)	0
Largest loadable dish lower basket (cm)	0
Number of place settings	13

PERFORMANCES

Energy efficiency class - NEW (2010/30/EU)	A+
Energy consumption annual (kWh/annum) - NEW (2010/30/EU)	296
Duration of the left-on mode - NEW (2010/30/EU)	12
Power consumption in left-on mode - NEW (2010/30/EU)	6
Power consumption in off-mode - NEW (2010/30/EU)	0.5
Water consumption annual (l/annum) - NEW (2010/30/EU)	3360
Noise level (dB(A) re 1 pW)	49

ENERGIA - ЕНЕРГИЈА - ΕΝΕΡΓΕΙΑ
ENERGIJA - ENERGIY - ENERGIJE
ENERGI

296
kWh/annum

3360
L/annum

ABCDEF G X 13

49
dB

2010/1059