

Instructions for use

WASHING MACHINE

GB

GB

English,1

FR

Français, 13

IT

Italiano, 25

ES

Español,37

GR

Ελληνικά,49

BG

Български,61

PT

Português,73

IWC 71051

Contents

Installation, 2-3

Unpacking and levelling
Connecting the electricity and water supplies
The first wash cycle
Technical data

Care and maintenance, 4

Cutting off the water or electricity supply
Cleaning the washing machine
Cleaning the detergent dispenser drawer
Caring for the door and drum of your appliance
Cleaning the pump
Checking the water inlet hose

Precautions and tips, 5

General safety
Disposal

Description of the washing machine and starting a wash cycle, 6-7

Control panel
Indicator lights
Starting a wash cycle

Wash cycles, 8

Table of wash cycles

Personalisation, 9

Setting the temperature
Setting the spin speed
Functions

Detergents and laundry, 10

Detergent dispenser drawer
Preparing the laundry
Garments requiring special care
Load balancing system

Troubleshooting, 11

Service, 12

Installation

GB

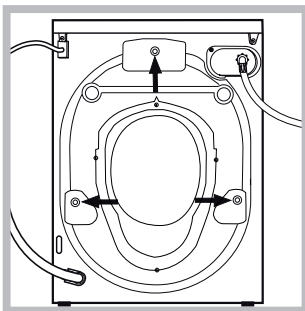
! This instruction manual should be kept in a safe place for future reference. If the washing machine is sold, transferred or moved, make sure that the instruction manual remains with the machine so that the new owner is able to familiarise himself/herself with its operation and features.

! Read these instructions carefully: they contain vital information relating to the safe installation and operation of the appliance.

Unpacking and levelling

Unpacking

1. Remove the washing machine from its packaging.
2. Make sure that the washing machine has not been damaged during the transportation process. If it has been damaged, contact the retailer and do not proceed any further with the installation process.



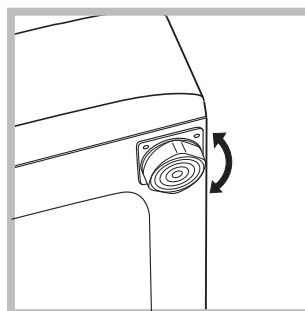
3. Remove the **3** protective screws (used during transportation) and the rubber washer with the corresponding spacer, located on the rear part of the appliance (see figure).

4. Close off the holes using the plastic plugs provided.
5. Keep all the parts in a safe place: you will need them again if the washing machine needs to be moved to another location.

! Packaging materials should not be used as toys for children.

Levelling

1. Install the washing machine on a flat sturdy floor, without resting it up against walls, furniture cabinets or anything else.

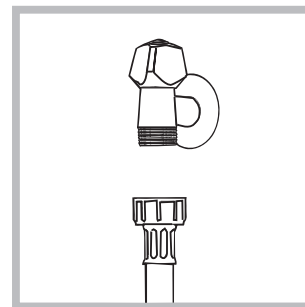


2. If the floor is not perfectly level, compensate for any unevenness by tightening or loosening the adjustable front feet (see figure); the angle of inclination, measured in relation to the worktop, must not exceed 2°.

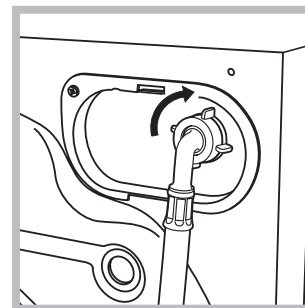
Levelling the machine correctly will provide it with stability, help to avoid vibrations and excessive noise and prevent it from shifting while it is operating. If it is placed on carpet or a rug, adjust the feet in such a way as to allow a sufficient ventilation space underneath the washing machine.

Connecting the electricity and water supplies

Connecting the water inlet hose



1. Connect the supply pipe by screwing it to a cold water tap using a $\frac{3}{4}$ threaded connection (see figure). Before performing the connection, allow the water to run freely until it is perfectly clear.



2. Connect the inlet hose to the washing machine by screwing it onto the corresponding water inlet of the appliance, which is situated on the top right-hand side of the rear part of the appliance (see figure).

3. Make sure that the hose is not folded over or bent.

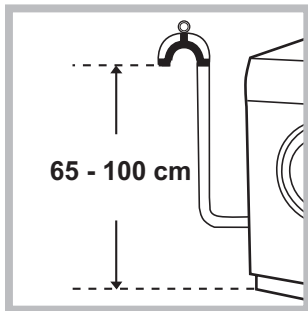
! The water pressure at the tap must fall within the values indicated in the Technical details table (see next page).

! If the inlet hose is not long enough, contact a specialised shop or an authorised technician.

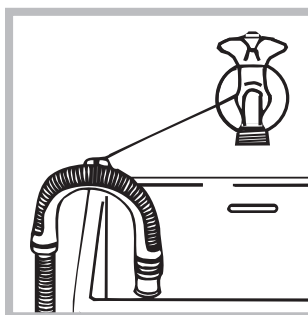
! Never use second-hand hoses.

! Use the ones supplied with the machine.

Connecting the drain hose



Connect the drain hose, without bending it, to a drainage duct or a wall drain located at a height between 65 and 100 cm from the floor.



Alternatively, place the drain hose over the edge of a washbasin or bathtub, by fastening the guide (which can be purchased at the technical assistance centre) to the tap (see figure). The free end of the hose should not be

underwater.

! We advise against the use of hose extensions; if it is absolutely necessary, the extension must have the same diameter as the original hose and must not exceed 150 cm in length.

Electrical connections

Before plugging the appliance into the electricity socket, make sure that:

- the socket is earthed and complies with all applicable laws;
- the socket is able to withstand the maximum power load of the appliance as indicated in the Technical data table (see opposite);
- the power supply voltage falls within the values indicated in the Technical data table (see opposite);
- the socket is compatible with the plug of the washing machine. If this is not the case, replace the socket or the plug.

! The washing machine must not be installed outdoors, even in covered areas. It is extremely dangerous to leave the appliance exposed to rain, storms and other weather conditions.

! When the washing machine has been installed, the electricity socket must be within easy reach.
! Do not use extension cords or multiple sockets.

! The cable should not be bent or compressed.

! The power supply cable must only be replaced by authorised technicians.

Warning! The company shall not be held responsible in the event that these regulations are not respected.

The first wash cycle

Once the appliance has been installed, and before you use it for the first time, run a wash cycle with detergent and no laundry, using the wash cycle 2.

Technical data

Model	IWC 71051
Dimensions	width 59.5 cm height 85 cm depth 51,7 cm
Capacity	from 1 to 7 kg
Electrical connections	please refer to the technical data plate fixed to the machine
Water connection	maximum pressure 1 MPa (10 bar) minimum pressure 0.05 MPa (0.5 bar) drum capacity 46 litres
Spin speed	up to 1000 rotations per minute
Test wash cycles in accordance with regulation 1061/2010 and 1015/2010	Programme 2: Cotton standard 60°C. Programme 3: Cotton standard 40°C.



This appliance conforms to the following EC Directives:
- EMC 2014/30/EU (Electromagnetic Compatibility)
- 2012/19/EU - (WEEE)
- LVD 2014/35/EU Low Voltage)

Care and maintenance

GB

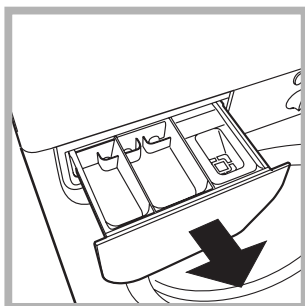
Cutting off the water and electricity supplies

- Turn off the water tap after every wash cycle. This will limit wear on the hydraulic system inside the washing machine and help to prevent leaks.
- Unplug the washing machine when cleaning it and during all maintenance work.

Cleaning the washing machine

The outer parts and rubber components of the appliance can be cleaned using a soft cloth soaked in lukewarm soapy water. Do not use solvents or abrasives.

Cleaning the detergent dispenser drawer



Remove the dispenser by raising it and pulling it out (see figure). Wash it under running water; this operation should be repeated frequently.

Caring for the door and drum of your appliance

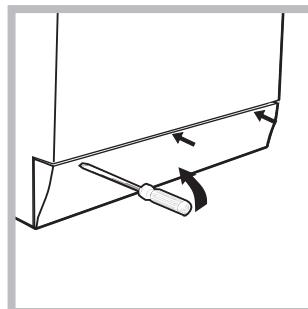
- Always leave the porthole door ajar in order to prevent unpleasant odours from forming.

Cleaning the pump

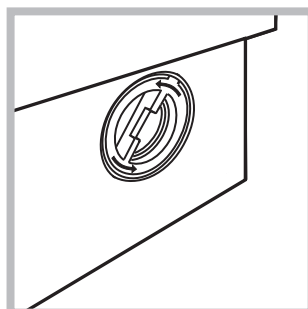
The washing machine is fitted with a self-cleaning pump which does not require any maintenance. Sometimes, small items (such as coins or buttons) may fall into the pre-chamber which protects the pump, situated in its bottom part.

! Make sure the wash cycle has finished and unplug the appliance.

To access the pre-chamber:



1. using a screwdriver, remove the cover panel on the lower front part of the washing machine (see figure);



2. unscrew the lid by rotating it anti-clockwise (see figure); a little water may trickle out. This is perfectly normal;

3. clean the inside thoroughly;
4. screw the lid back on;
5. reposition the panel, making sure the hooks are securely in place before you push it onto the appliance.

Checking the water inlet hose

Check the inlet hose at least once a year. If there are any cracks, it should be replaced immediately: during the wash cycles, water pressure is very strong and a cracked hose could easily split open.

! Never use second-hand hoses.

! This washing machine was designed and constructed in accordance with international safety regulations. The following information is provided for safety reasons and must therefore be read carefully.

General safety

- This appliance was designed for domestic use only.
- This appliance can be used by children aged from 8 years and above and persons with reduced physical, sensory or mental capabilities or lack of experience and knowledge if they have been given supervision or instruction concerning use of the appliance in a safe way and understand the hazards involved. Children shall not play with the appliance. Cleaning and user maintenance shall not be made by children without supervision.
- The washing machine must only be used by adults, in accordance with the instructions provided in this manual.
- Do not touch the machine when barefoot or with wet or damp hands or feet.
- Do not pull on the power supply cable when unplugging the appliance from the electricity socket. Hold the plug and pull.
- Do not open the detergent dispenser drawer while the machine is in operation.
- Do not touch the drained water as it may reach extremely high temperatures.
- Never force the porthole door. This could damage the safety lock mechanism designed to prevent accidental opening.
- If the appliance breaks down, do not under any circumstances access the internal mechanisms in an attempt to repair it yourself.
- Always keep children well away from the appliance while it is operating.
- The door can become quite hot during the wash cycle.
- If the appliance has to be moved, work in a group of two or three people and handle it with the utmost care. Never try to do this alone, because the appliance is very heavy.
- Before loading laundry into the washing machine, make sure the drum is empty.

Disposal

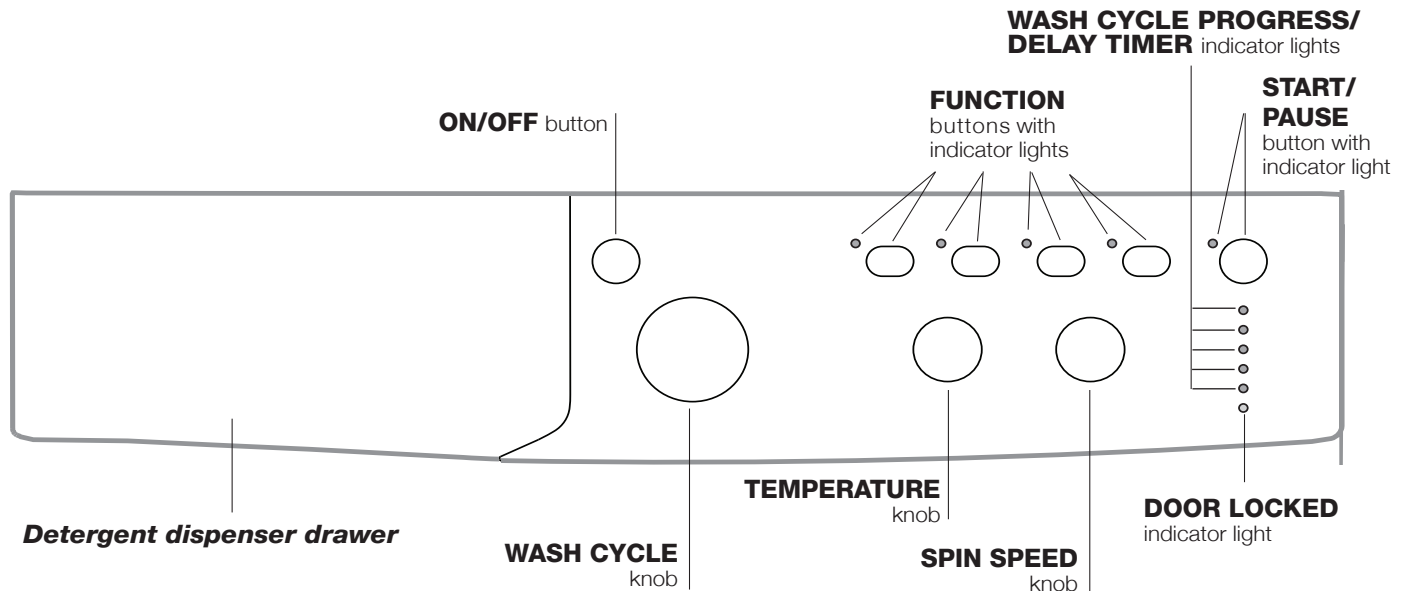
- Disposing of the packaging materials: observe local regulations so that the packaging may be re-used.
- The European Directive 2012/19/EU (WEEE) on Waste Electrical and Electronic Equipment, requires that old household electrical appliances must not be disposed of in the normal unsorted municipal waste stream. Old appliances must be collected separately in order to optimise the recovery and recycling of the materials they contain and reduce the impact on human health and the environment.

The crossed out “wheeled bin” symbol on the product reminds you of your obligation, that when you dispose of the appliance it must be separately collected. Consumers should contact their local authority or retailer for information concerning the correct disposal of their old appliance.

Description of the washing machine and starting a wash cycle

Control panel

GB



Detergent dispenser drawer: used to dispense detergents and washing additives (see “Detergents and laundry”).

ON/OFF button: switches the washing machine on and off.

WASH CYCLE knob: programmes the wash cycles. During the wash cycle, the knob does not move.

FUNCTION buttons with indicator light: used to select the available functions. The indicator light corresponding to the selected function will remain lit.

TEMPERATURE knob: sets the temperature or the cold wash cycle (see “Personalisation”).


SPIN SPEED knob: sets the spin speed or exclude the spin cycle completely (see “Personalisation”).

WASH CYCLE PROGRESS/DELAY TIMER indicator lights: used to monitor the progress of the wash cycle. The illuminated indicator light shows which phase is in progress.

If the Delay Timer function has been set, the time remaining until the wash cycle starts will be indicated (see next page).

DOOR LOCKED indicator light: indicates whether the door may be opened or not (see next page).

START/PAUSE button with indicator light: starts or temporarily interrupts the wash cycles.

N.B. To pause the wash cycle in progress, press this button; the corresponding indicator light will flash orange, while the indicator light for the current wash cycle phase will remain lit in a fixed manner. If the DOOR LOCKED  indicator light is switched off, the door may be opened (wait approximately 3 minutes).

To start the wash cycle from the point at which it was interrupted, press this button again.

Standby mode

This washing machine, in compliance with new energy saving regulations, is fitted with an automatic standby system which is enabled after about 30 minutes if no activity is detected. Press the ON-OFF button briefly and wait for the machine to start up again.

Consumption in off-mode: 0,5 W

Consumption in Left-on: 8 W

Indicator lights

The indicator lights provide important information. This is what they can tell you:

Delayed start

If the DELAY TIMER function has been activated (see “Personalisation”), after the wash cycle has been started the indicator light corresponding to the selected delay period will begin to flash:





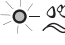


As time passes, the remaining delay will be displayed and the corresponding indicator light will flash:



The set programme will start once the selected time delay has expired.

Wash cycle phase indicator lights

Once the desired wash cycle has been selected and has begun, the indicator lights switch on one by one to indicate which phase of the cycle is currently in progress.

Wash	
Rinse	
Spin	
Drain	
End of wash cycle	

Function buttons and corresponding indicator lights

When a function is selected, the corresponding indicator light will illuminate.

If the selected function is not compatible with the programmed wash cycle, the corresponding indicator light will flash and the function will not be activated.

If the selected function is not compatible with another function which has been selected previously, the indicator light corresponding to the first function selected will flash and only the second function will be activated; the indicator light corresponding to the enabled option will remain lit.


Door locked indicator light

When the indicator light is on, the porthole door is locked to prevent it from being opened; make sure the indicator light is off before opening the door (wait approximately 3 minutes). To open the door during a running wash cycle, press the START/PAUSE button; the door may be opened once the DOOR LOCKED indicator light turns off.

Starting a wash cycle





1. Switch the washing machine on by pressing the ON/OFF button. All indicator lights will switch on for a few seconds, then they will switch off and the START/PAUSE indicator light will pulse.
2. Load the laundry and close the door.
3. Set the WASH CYCLE knob to the desired programme.
4. Set the washing temperature (see “Personalisation”).
5. Set the spin speed (see “Personalisation”).
6. Measure out the detergent and washing additives (see “Detergents and laundry”).
7. Select the desired functions.
8. Start the wash cycle by pressing the START/PAUSE button and the corresponding indicator light will remain lit in a fixed manner, in green.


To cancel the set wash cycle, pause the machine by pressing the START/PAUSE button and select a new cycle.

9. At the end of the wash cycle the **END** indicator light will switch on. The door can be opened once the DOOR LOCKED  indicator light turns off (wait approximately 3 minutes). Take out your laundry and leave the appliance door ajar to make sure the drum dries completely. Switch the washing machine off by pressing the ON/OFF button.

Wash cycles

Table of wash cycles

Wash cycles	Description of the wash cycle	Max. temp. (°C)	Max. speed (rpm)	Detergents			Max. load (kg)	Residual dampness %	Energy consumption kWh	Total water lit	Cycle duration
				Pre-wash	Wash	Fabric softener					
Daily											
1	Cotton with prewash: extremely soiled whites.	90°	1000	●	●	●	7	62	1,90	68	155'
2	Cotton Standard 60° (1): heavily soiled whites and resistant colours.	60° (Max. 90°)	1000	-	●	●	7	62	1,19	52,5	205'
3	Cotton Standard 40° (2): lightly soiled whites and delicate colours.	40°	1000	-	●	●	7	62	0,81	65	195'
4	Synthetics: heavily soiled resistant colours.	60°	800	-	●	●	3	44	0,78	33	105'
4	Synthetics (3): lightly soiled resistant colours.	40°	800	-	●	●	3	44	0,49	38	95'
5	Mix Colored: lightly soiled whites and delicate colours.	40°	1000	-	●	●	7	62	0,86	56	95'
20° Zone											
6	Cotton Standard 20°: lightly soiled whites and delicate colours.	20°	1000	-	●	●	7	-	-	-	170'
7	Mix Light	20°	800	-	●	●	7	-	-	-	120'
8	20' Refresh	20°	800	-	●	●	1,5	-	-	-	20'
Special											
9	Silk/Curtains: for garments in silk and viscose, lingerie.	30°	0	-	●	●	1	-	-	-	55'
10	Wool: for wool, cashmere, etc.	40°	800	-	●	●	1,5	-	-	-	70'
11	Jeans	40°	800	-	●	●	3	-	-	-	75'
Sport											
12	Sport Intensive	30°	600	-	●	●	3	-	-	-	85'
13	Sport Light	30°	600	-	●	●	3	-	-	-	60'
14	Sport Shoes	30°	600	-	●	●	Max. 2 Pairs	-	-	-	55'
Partial wash cycles											
	Rinse	-	1000	-	-	●	7	-	-	-	36'
	Spin + Drain	-	1000	-	-	-	7	-	-	-	10'
	Drain only *	-		-	-	-	7	-	-	-	3'

* If you select programme  and exclude the spin cycle, the machine will drain only.

The length of cycle shown on the display or in this booklet is an estimation only and is calculated assuming standard working conditions. The actual duration can vary according to factors such as water temperature and pressure, the amount of detergent used, the amount and type of load inserted, load balancing and any wash options selected.

1) Test wash cycle in compliance with regulation 1061/2010: set wash cycle 2 with a temperature of 60°C.

This cycle is designed for cotton loads with a normal soil level and is the most efficient in terms of both electricity and water consumption; it should be used for garments which can be washed at 60°C. The actual washing temperature may differ from the indicated value.

2) Test wash cycle in compliance with regulation 1061/2010: set wash cycle 3 with a temperature of 40°C.

This cycle is designed for cotton loads with a normal soil level and is the most efficient in terms of both electricity and water consumption; it should be used for garments which can be washed at 40°C. The actual washing temperature may differ from the indicated value.

For all Test Institutes:

2) Long wash cycle for cottons: set wash cycle 3 with a temperature of 40°C.

3) Synthetic program along: set wash cycle 4 with a temperature of 40°C.

Sport Intensive (wash cycle 12) is for washing heavily soiled sports clothing fabrics (tracksuits, shorts, etc.); for best results, we recommend not exceeding the maximum load indicated in the "Table of wash cycles".

Sport Light (wash cycle 13) is for washing lightly soiled sports clothing fabrics (tracksuits, shorts, etc.); for best results, we recommend not exceeding the maximum load indicated in the "Table of wash cycles". We recommend using a liquid detergent and dosage suitable for a half-load.

Sport Shoes (wash cycle 14) is for washing sports shoes; for best results, do not wash more than 2 pairs simultaneously.

The 20° wash cycles (20° Zone) offer effective washing performance at low temperatures, reducing electricity usage and expenditure while benefitting the environment. The 20° wash cycles meet all requirements:

Cotton Standard 20° (programme 6) ideal for lightly soiled cotton loads. The effective performance levels achieved at cold temperatures, which are comparable to washing at 40°, are guaranteed by a mechanical action which operates at varying speed, with repeated and frequent peaks.

Mix Light (programme 7) ideal for mixed loads (cotton and synthetics) with a normal soil level. The effective performance levels achieved at cold temperatures are guaranteed by a mechanical action which operates at varying speed, across set average intervals.

20' Refresh (programme 8) ideal for refreshing and washing lightly soiled garments in a few minutes. It lasts just 20 minutes and therefore saves both time and energy. It can be used to wash different types of fabrics together (except for wool and silk), with a maximum load of 1.5 kg.

Setting the temperature

Turn the TEMPERATURE knob to set the wash temperature (see *Table of wash cycles*).

The temperature may be lowered, or even set to a cold wash .

The washing machine will automatically prevent you from selecting a temperature which is higher than the maximum value set for each wash cycle.

! Exception: if the **2** programme is selected, the temperature can be increased up to a value of 90°C.

Setting the spin speed

Turn the SPIN SPEED knob to set the spin speed for the selected wash cycle.

The maximum spin speeds available for each wash cycle are as follows:

Wash cycles	Maximum spin speed
Cottons	1000 rpm
Synthetics	800 rpm
Wool	800 rpm
Silk	drain only

The spin speed may be lowered, or the spin cycle can be excluded altogether by selecting the symbol .

The washing machine will automatically prevent you from selecting a spin speed which is higher than the maximum speed set for each wash cycle.

Functions

The various wash functions available with this washing machine will help to achieve the desired results, every time.

To activate the functions:

1. Press the button corresponding to the desired function;
2. the function is enabled when the corresponding indicator light is illuminated.

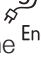
Note:

- If the selected function is not compatible with the programmed wash cycle, the corresponding indicator light will flash and the function will not be activated.
- If the selected function is not compatible with another function which has been selected previously, the indicator light corresponding to the first function selected will flash and only the second function will be activated; the indicator light corresponding to the enabled option will remain lit.

EcoTime

Selecting this option enables you to suitably adjust drum rotation, temperature and water to a reduced load of lightly soiled cotton and synthetic fabrics (refer to the "*Table of wash cycles*"). "EcoTime" enables you to wash in less time thereby saving water and electricity. We suggest using a liquid detergent suitably measured out to the load quantity.

Energy Saver

The  Energy Saver function saves energy by not heating the water used to wash your laundry - an advantage both to the environment and to your energy bill. Instead, intensified wash action and water optimisation ensure great wash results in the same average time of a standard cycle.

For the best washing results we recommend the usage of a liquid detergent.

Extra rinse

By selecting this option, the efficiency of the rinse is increased and optimal detergent removal is guaranteed. It is particularly useful for sensitive skin.

Delay timer

This timer delays the start time of the wash cycle by up to 12 hours.

Press the button repeatedly until the indicator light corresponding to the desired delay time switches on. The fifth time the button is pressed, the function will be disabled.

N.B. Once the START/PAUSE button has been pressed, the delay time can only be modified by decreasing it until launching the set programme.

Detergents and laundry

GB

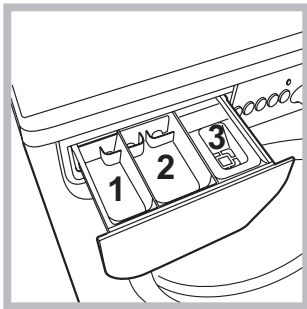
Detergent dispenser drawer

Good washing results also depend on the correct dose of detergent: adding too much detergent will not necessarily result in a more efficient wash, and may in fact cause build up on the inside of your appliance and contribute to environmental pollution.

! Do not use hand washing detergents because these create too much foam.

! Use powder detergent for white cotton garments, for pre-washing, and for washing at temperatures over 60°C.

! Follow the instructions given on the detergent packaging.



Open the detergent dispenser drawer and pour in the detergent or washing additive, as follows.

compartment 1: pre-wash detergent (powder)

compartment 2: detergent for the wash cycle (powder or liquid)

Liquid detergent should only be poured in immediately prior to the start of the wash cycle.

compartment 3: additives (fabric softeners, etc.)

The fabric softener should not overflow the grid.

Preparing the laundry

- Divide the laundry according to:
 - the type of fabric/the symbol on the label
 - the colours: separate coloured garments from whites.
- Empty all garment pockets and check the buttons.
- Do not exceed the values listed in the "Table of wash cycles", which refer to the weight of the laundry when dry.

How much does your laundry weigh?


- 1 sheet 400-500 g
- 1 pillow case 150-200 g
- 1 tablecloth 400-500 g
- 1 bathrobe 900-1200 g
- 1 towel 150-250 g

Garments requiring special care

Silk: use special wash cycle **9** to wash all silk garments.

We recommend the use of special detergent which has been designed to wash delicate clothes.

Curtains: fold curtains and place them in a pillow case or mesh bag. Use wash cycle **9**.

Wool: all wool garments can be washed using programme **10**, even those carrying the "hand-wash only"  label.

For best results, use special detergents and do not exceed 1,5 kg of laundry.

Jeans: Turn garments inside-out before washing and use a liquid detergent. Use programme **11**.

Load balancing system

Before every spin cycle, to avoid excessive vibrations and to distribute the load in a uniform manner, the drum rotates continuously at a speed which is slightly greater than the washing rotation speed. If, after several attempts, the load is not balanced correctly, the machine spins at a reduced spin speed. If the load is excessively unbalanced, the washing machine performs the distribution process instead of spinning. To encourage improved load distribution and balance, we recommend small and large garments are mixed in the load.

Your washing machine could fail to work. Before contacting the Technical Assistance Centre (see “Assistance”), make sure that the problem cannot be not solved easily using the following list.

Problem:

Possible causes / Solutions:

The washing machine does not switch on.

- The appliance is not plugged into the socket fully, or is not making contact.
- There is no power in the house.

The wash cycle does not start.

- The washing machine door is not closed properly.
- The ON/OFF button has not been pressed.
- The START/PAUSE button has not been pressed.
- The water tap has not been opened.
- A delayed start has been set (see “Personalisation”).

The washing machine does not take in water (the indicator light for the first wash cycle stage flashes rapidly).

- The water inlet hose is not connected to the tap.
- The hose is bent.
- The water tap has not been opened.
- There is no water supply in the house.
- The pressure is too low.
- The START/PAUSE button has not been pressed.

The washing machine continuously takes in and drains water.

- The drain hose is not fitted at a height between 65 and 100 cm from the floor (see “Installation”).
- The free end of the hose is under water (see “Installation”).
- The wall drainage system is not fitted with a breather pipe.

If the problem persists even after these checks, turn off the water tap, switch the appliance off and contact the Assistance Service. If the dwelling is on one of the upper floors of a building, there may be problems relating to water drainage, causing the washing machine to fill with water and drain continuously. Special anti-draining valves are available in shops and help to avoid this inconvenience.

The washing machine does not drain or spin.

- The wash cycle does not include draining: some wash cycles require the drain phase to be started manually.
- The drain hose is bent (see “Installation”).
- The drainage duct is clogged.

The washing machine vibrates a lot during the spin cycle.

- The drum was not unlocked correctly during installation (see “Installation”).
- The washing machine is not level (see “Installation”).
- The washing machine is trapped between cabinets and walls (see “Installation”).

The washing machine leaks.

- The water inlet hose is not screwed on properly (see “Installation”).
- The detergent dispenser drawer is blocked (for cleaning instructions, see “Care and maintenance”).
- The drain hose is not fixed properly (see “Installation”).

The “Functions” indicator lights and the “start/pause” indicator light flash, while one of the “phase in progress” indicator lights and the “door locked” indicator light will remain lit in a fixed manner.

- Switch off the machine and unplug it, wait for approximately 1 minute and then switch it back on again.
If the problem persists, contact the Technical Assistance Service.

There is too much foam.

- The detergent is not suitable for machine washing (it should display the text “for washing machines” or “hand and machine wash”, or the like).
- Too much detergent was used.

Service

GB

Before calling for Assistance:

- Check whether you can solve the problem alone (see “*Troubleshooting*”);
- Restart the programme to check whether the problem has been solved;
- If this is not the case, contact an authorised Technical Assistance Centre using the telephone number provided on the guarantee certificate.

! Always request the assistance of authorised technicians.

Have the following information to hand:

- the type of problem;
- the appliance model (Mod.);
- the serial number (S/N).

This information can be found on the data plate applied to the rear of the washing machine, and can also be found on the front of the appliance by opening the door.

FR

Français

IWC 71051

Sommaire

Installation, 14-15

Déballage et mise à niveau
Raccordements eau et électricité
Premier cycle de lavage
Caractéristiques techniques

Entretien et soin, 16

Coupure de l'arrivée d'eau et du courant
Nettoyage du lave-linge
Nettoyage du tiroir à produits lessiviels.
Entretien du hublot et du tambour
Nettoyage de la pompe
Contrôle du tuyau d'arrivée de l'eau

Précautions et conseils, 17

Sécurité générale
Mise au rebut

Description du lave-linge et démarrage d'un programme, 18-19

Bandeau de commandes
Voyants
Démarrage d'un programme

Programmes, 20

Tableau des programmes

Personnalisations, 21

Sélection de la température
Sélection de l'essorage
Fonctions

Produits lessiviels et linge, 22

Tiroir à produits lessiviels
Triage du linge
Linge ou vêtements particuliers
Système d'équilibrage de la charge

Anomalies et remèdes, 23

Assistance, 24

Installation

FR

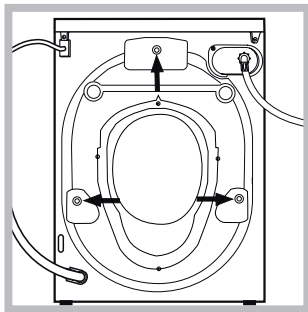
! Conserver ce mode d'emploi pour pouvoir le consulter à tout moment. En cas de vente, de cession ou de déménagement, veiller à ce qu'il suive toujours le lave-linge pour que son nouveau propriétaire soit informé sur son mode de fonctionnement et puisse profiter des conseils correspondants.

! Lire attentivement les instructions: elles fournissent des conseils importants sur l'installation, l'utilisation et la sécurité de l'appareil.

Déballage et mise à niveau

Déballage

1. Déballer le lave-linge.
2. Contrôler que le lave-linge n'a pas été endommagé pendant le transport. S'il est abîmé, ne pas le raccorder et contacter le vendeur.



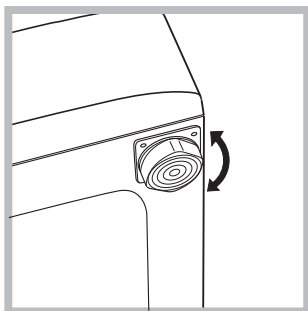
3. Enlever les **3** vis de protection servant au transport, le caoutchouc et la cale, placés dans la partie arrière (voir figure).

4. Boucher les trous à l'aide des bouchons plastique fournis.
5. Conserver toutes ces pièces: il faudra les remonter en cas de transport du lave-linge.

! Les pièces d'emballage ne sont pas des jouets pour enfants.

Mise à niveau

1. Installer le lave-linge sur un sol plat et rigide, sans l'appuyer contre des murs, des meubles ou autre.

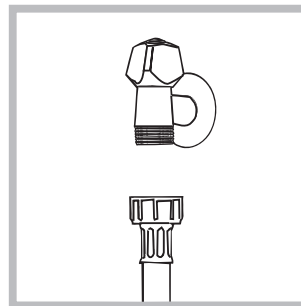


2. Si le sol n'est pas parfaitement horizontal, visser ou dévisser les pieds de réglage avant (voir figure) pour niveler l'appareil; son angle d'inclinaison, mesuré sur le plan de travail, ne doit pas dépasser 2°.

Une bonne mise à niveau garantit la stabilité de l'appareil et évite qu'il y ait des vibrations, du bruit et des déplacements en cours de fonctionnement. Si la machine est posée sur de la moquette ou un tapis, régler les pieds de manière à ce qu'il y ait suffisamment d'espace pour assurer une bonne ventilation.

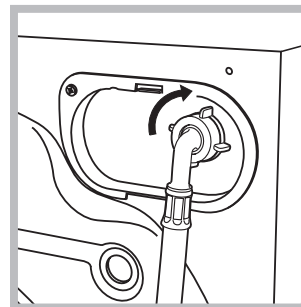
Raccordements eau et électricité

Raccordement du tuyau d'arrivée de l'eau



1. Reliez le tuyau d'alimentation en le vissant à un robinet d'eau froide à embout fileté 3/4 (voir figure).

Faire couler l'eau jusqu'à ce qu'elle soit limpide et sans impuretés avant de raccorder.



2. Raccorder le tuyau d'arrivée de l'eau au lave-linge en le vissant à la prise d'eau prévue, dans la partie arrière en haut à droite (voir figure).

3. Attention à ce que le tuyau ne soit pas plié ou écrasé.

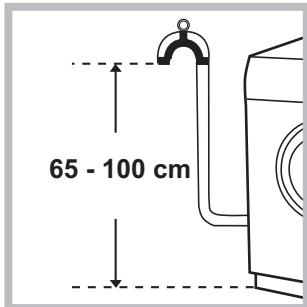
! La pression de l'eau doit être comprise entre les valeurs indiquées dans le tableau des Caractéristiques techniques (voir page ci-contre).

! Si la longueur du tuyau d'alimentation ne suffit pas, s'adresser à un magasin spécialisé ou à un technicien agréé.

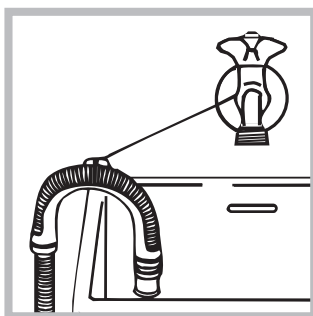
! N'utiliser que des tuyaux neufs.

! Utiliser ceux qui sont fournis avec l'appareil.

Raccordement du tuyau de vidange



Raccorder le tuyau d'évacuation, sans le plier, à un conduit d'évacuation ou à une évacuation murale placés à une distance du sol comprise entre 65 et 100 cm.



Autrement, accrocher le tuyau de vidange à un évier ou à une baignoire, dans ce cas, attacher la crose (à acheter au service d'assistance) au robinet (voir figure). L'extrémité libre du tuyau d'évacuation ne doit pas être plongée dans

l'eau.

! L'utilisation d'un tuyau de rallonge est absolument déconseillée mais si on ne peut faire autrement, il faut absolument qu'il ait le même diamètre que le tuyau original et sa longueur ne doit pas dépasser 150 cm.

Branchement électrique

Avant de brancher la fiche dans la prise de courant, s'assurer que:

- la prise est bien reliée à la terre et est conforme aux réglementations en vigueur;
- la prise est bien apte à supporter la puissance maximale de l'appareil indiquée dans le tableau des Caractéristiques techniques (voir ci-contre);
- la tension d'alimentation est bien comprise entre les valeurs figurant dans le tableau des Caractéristiques techniques (voir ci-contre);
- la prise est bien compatible avec la fiche du lave-linge. Autrement, remplacer la prise ou la fiche.

! Le lave-linge ne doit pas être installé dehors, même à l'abri, car il est très dangereux de le laisser exposé à la pluie et aux orages.

! Après installation du lave-linge, la prise de courant doit être facilement accessible.

! N'utiliser ni rallonges ni prises multiples.

! Le câble ne doit être ni plié ni trop écrasé.



! Le câble d'alimentation ne doit être remplacé que par des techniciens agréés.

Attention! Nous déclinons toute responsabilité en cas de non-respect des normes énumérées ci-dessus.

Premier cycle de lavage

Avant la première mise en service de l'appareil, effectuer un cycle de lavage avec un produit lessiviel mais sans linge et sélectionner le programme 2.

Caractéristiques techniques

Modèle	IWC 71051
Dimensions	largeur 59,5 cm hauteur 85 cm profondeur 51,7 cm
Capacité	de 1 à 7 kg
Raccordements électriques	Voir la plaque signalétique appliquée sur la machine
Raccorde-ments hydrauliques	pression maximale 1 MPa (10 bar) pression minimale 0,05 MPa (0,5 bar) capacité du tambour 46 litres
Vitesse d'essorage	jusqu'à 1000 tours minute
Programmes de contrôle selon les réglementations 1061/2010 et 1015/2010	programme 2; Coton standard 60°C. programme 3; Coton standard 40°C.
 	Cet appareil est conforme aux Directives Communautaires suivantes: - EMC 2014/30/EU (Compatibilité électromagnétique) - 2012/19/EU - (WEEE) - LVD 2014/35/EU (Basse Tension)

Entretien et soin

FR

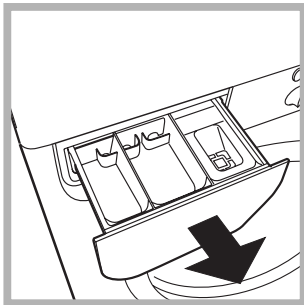
Coupure de l'arrivée d'eau et du courant

- Fermer le robinet de l'eau après chaque lavage. Cela réduit l'usure de l'installation hydraulique du lave-linge et évite tout danger de fuites.
- Débrancher la fiche de la prise de courant lors de tout nettoyage du lave-linge et pendant tous les travaux d'entretien.

Nettoyage du lave-linge

Pour nettoyer l'extérieur et les parties en caoutchouc, utiliser un chiffon imbibé d'eau tiède et de savon. N'utiliser ni solvants ni abrasifs.

Nettoyage du tiroir à produits lessiviels



Soulever le tiroir et le tirer vers soi pour le sortir de son logement (voir figure). Le laver à l'eau courante; effectuer cette opération assez souvent.

Entretien du hublot et du tambour

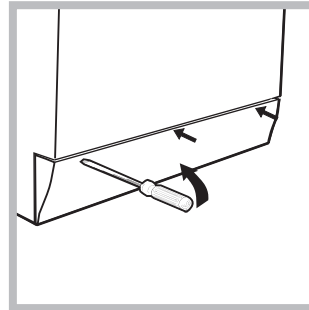
- Il faut toujours laisser le hublot entrouvert pour éviter la formation de mauvaises odeurs.

Nettoyage de la pompe

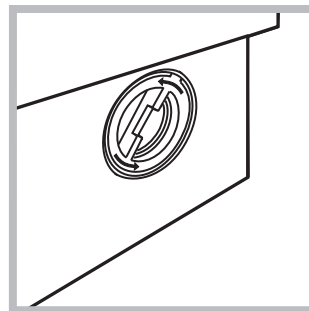
Le lave-linge est équipé d'une pompe autonettoyante qui n'exige aucune opération d'entretien. Il peut toutefois arriver que de menus objets (pièces de monnaie, boutons) tombent dans la préchambre qui protège la pompe, placée en bas de cette dernière.

! S'assurer que le cycle de lavage est bien terminé et débrancher la fiche.

Pour accéder à cette préchambre:



1. démonter le panneau situé à l'avant du lave-linge à l'aide d'un tournevis (voir figure);



2. dévisser le couvercle en le tournant dans le sens inverse des aiguilles d'une montre (voir figure); il est normal qu'un peu d'eau s'écoule;

3. nettoyer soigneusement l'intérieur;
4. revisser le couvercle;
5. remonter le panneau en veillant à bien enfiler les crochets dans les fentes prévues avant de le pousser contre l'appareil.

Contrôle du tuyau d'arrivée de l'eau

Contrôler le tuyau d'alimentation au moins une fois par an. Procéder à son remplacement en cas de craquèlements et de fissures; car les fortes pressions subies pendant le lavage pourraient provoquer des cassures.

! N'utiliser que des tuyaux neufs.

! Ce lave-linge a été conçu et fabriqué conformément aux normes internationales de sécurité. Ces consignes sont fournies pour des raisons de sécurité, il faut les lire attentivement.

Sécurité générale

- Cet appareil peut être utilisé par les enfants à partir de 8 ans et par les personnes dont les capacités physiques, sensorielles ou mentales sont réduites ou qui ne disposent pas des connaissances suffisantes, à condition qu'ils soient encadrés ou aient été formés de façon appropriée pour l'utilisation de l'appareil de façon sûre et en comprenant les dangers qui y sont liés. Les enfants ne doivent pas jouer avec l'appareil. L'entretien et le nettoyage ne doivent pas être effectués par les enfants sans surveillance.
- Cet appareil est conçu pour un usage domestique.
- Ne jamais toucher l'appareil si l'on est pieds nus et si les mains sont mouillées ou humides.
- Ne jamais tirer sur le câble pour débrancher la fiche de la prise de courant.
- Ne pas ouvrir le tiroir à produits lessiviels si la machine est branchée.
- Ne pas toucher à l'eau de vidange, elle peut atteindre des températures très élevées.
- Ne pas forcer pour ouvrir le hublot: le verrouillage de sécurité qui protège contre les ouvertures accidentelles pourrait s'endommager.
- En cas de panne, éviter à tout prix d'accéder aux mécanismes internes pour tenter une réparation.
- Veiller à ce que les enfants ne s'approchent pas de l'appareil pendant son fonctionnement.
- Pendant le lavage, le hublot a tendance à se réchauffer.
- Deux ou trois personnes sont nécessaires pour déplacer l'appareil avec toutes les précautions nécessaires. Ne jamais le déplacer tout seul car il est très lourd.
- Avant d'introduire le linge, s'assurer que le tambour est bien vide.

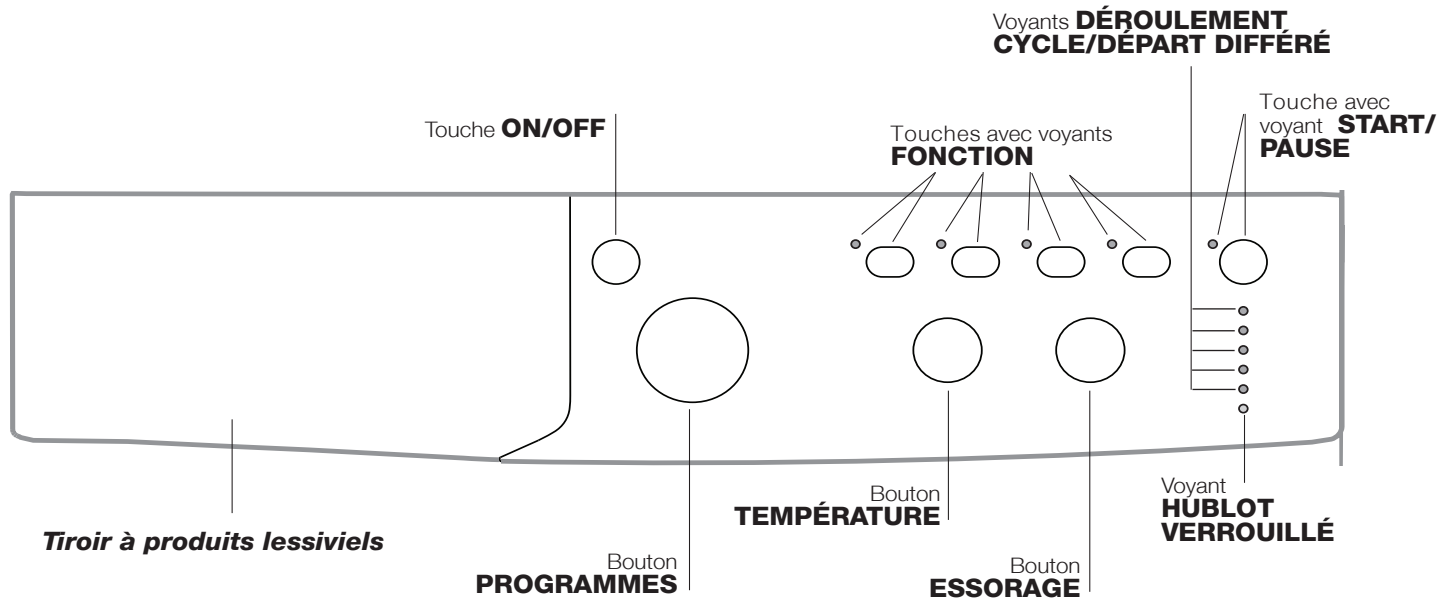
Mise au rebut

- Mise au rebut du matériel d'emballage: se conformer aux réglementations locales de manière à ce que les emballages puissent être recyclés.
- La Directive Européenne 2012/19/EU (WEEE) sur les Déchets des Equipements Electriques et Electroniques, exige que les appareils ménagers usagés ne soient pas jetés dans le flux normal des déchets municipaux. Les appareils usagés doivent être collectés séparément afin d'optimiser le taux de récupération et le recyclage des matériaux qui les composent et réduire l'impact sur la santé humaine et l'environnement.

Le symbole de la "poubelle barrée" est apposée sur tous les produits pour rappeler les obligations de collecte séparée. Les consommateurs devront contacter les autorités locales ou leur revendeur concernant la démarche à suivre pour l'enlèvement de leur vieil appareil.

Description du lave-linge et démarrage d'un programme

Bandeau de commandes



Tiroir à produits lessiviels: pour charger les produits lessiviels et les additifs (voir "Produits lessiviels et linge").

Touche **ON/OFF:** pour allumer ou éteindre le lave-linge.

Bouton **PROGRAMMES:** pour sélectionner les programmes. Pendant le programme, le bouton ne tournera pas.

Touches avec voyants **FONCTION:** pour sélectionner les fonctions disponibles. Le voyant correspondant à la fonction sélectionnée restera allumé.

Bouton **TEMPÉRATURE:** pour sélectionner la température ou un lavage à froid (voir "Personnalisations").

Bouton **ESSORAGE:** pour sélectionner l'essorage ou le supprimer (voir "Personnalisations").

Voyants **DÉROULEMENT CYCLE/DÉPART DIFFÉRÉ:** pour suivre le stade d'avancement du programme de lavage.

Le voyant allumé indique la phase de lavage en cours. Si la fonction "Départ différé" (départ différé) a été sélectionnée, ils indiquent le temps restant jusqu'au démarrage du programme (voir page ci-contre).

Voyant **HUBLLOT VERROUILLÉ:** indique si la porte est verrouillée (voir page ci-contre).

Touche avec voyant **START/PAUSE:** pour démarrer les programmes ou les interrompre momentanément.

N.B.: pour effectuer une pause du lavage en cours, appuyer sur cette touche, le voyant correspondant se mettra à clignoter en orange tandis que celui de la phase en cours restera allumé fixe. Si le voyant **HUBLLOT VERROUILLÉ** est éteint, on peut ouvrir la porte (3 minutes environ). Pour faire redémarrer le lavage exactement de l'endroit où il a été interrompu, appuyer une nouvelle fois sur la touche.

Stand-by

Ce lave-linge, conformément aux nouvelles normes en vigueur dans le domaine de l'économie d'énergie, est équipée d'un système d'extinction automatique (veille) activé après environ 30 minutes d'inutilisation. Appuyez brièvement sur la touche ON/OFF et attendre que la machine soit réactivée.

Consommation en off-mode : 0,5 W

Consommation en Left-on : 8 W

Voyants

Les voyants fournissent des informations importantes. Voilà ce qu'ils signalent:

Départ différé

Si la fonction "Départ différé" a été activée (voir "Personnalisations"), le voyant correspondant au temps sélectionné se mettra à clignoter, après avoir lancé le programme:








Au fur et à mesure que le temps passe, le temps restant est affiché avec clignotement du voyant correspondant.



Quand le retard sélectionné touche à sa fin le programme sélectionné démarre.

Voyants phase en cours

Une fois que le cycle de lavage sélectionné a démarré, les voyants s'allument progressivement pour indiquer son stade d'avancement:

Lavage	
Rinçage	
Essorage	
Vidange	
Fin de Lavage	 END

Touches fonction et voyants correspondants

La sélection d'une fonction entraîne l'allumage du voyant correspondant.

Si la fonction sélectionnée est incompatible avec le programme sélectionné, le voyant correspondant se met à clignoter et la fonction n'est pas activée.


Si l' fonction sélectionnée est incompatible avec une autre fonction précédemment sélectionnée, le voyant correspondant à la première fonction se met à clignoter et seule la deuxième fonction est activée, le voyant de la touche s'allume au fixe.

Voyant hublot verrouillé

Le voyant allumé indique que le hublot est verrouillé pour en empêcher l'ouverture. Attendre que le voyant cesse de clignoter avant d'ouvrir la porte (3 minutes environ). Pour ouvrir le hublot tandis qu'un cycle est en cours, appuyer sur la touche START/PAUSE; si le voyant HUBLOT VERROUILLÉ est éteint, on peut ouvrir le hublot.

! Un clignotement rapide des voyants des "phases de lavage" et du HUBLOT VERROUILLÉ signale une anomalie (voir "Anomalies et remèdes").





Démarrage d'un programme

1. Allumer le lave-linge en appuyant sur la touche ON/OFF. Tous les voyants s'allument pendant quelques secondes puis s'éteignent, seul le voyant START/PAUSE flashe.
2. Charger le linge et fermer le hublot.
3. Sélectionner à l'aide du bouton PROGRAMMES le programme désiré.
4. Sélectionner la température de lavage (voir "Personnalisations").
5. Sélectionner la vitesse d'essorage (voir "Personnalisations").
6. Verser les produits lessiviels et les additifs (voir "Produits lessiviels et linge").
7. Sélectionner les fonctions désirées.
8. Appuyer sur la touche START/PAUSE pour démarrer le programme, le voyant correspondant vert restera allumé en fixe. Pour annuler le cycle sélectionné, appuyer sur la touche START/PAUSE pour placer l'appareil en pause et choisir un nouveau cycle.
9. A la fin du programme, le voyant END s'allume. Quand le voyant HUBLOT VERROUILLÉ  s'éteint, on peut ouvrir le hublot (3 minutes environ). Sortir le linge et laisser le hublot entrouvert pour faire sécher le tambour. Eteindre le lave-linge en appuyant sur la touche ON/OFF.

Programmes

FR

Tableau des programmes

Programmes	Description du Programme	Temp. maxi. (°C)	Vitesse maxi (tours minute)	Lessive			Charge maxi (Kg)	Humidité résiduelle %	Consommation d'énergie kWh	Eau totale lt	Durée cycle
				Pré-lavage	Lavage	Assouplissant					
Programmes Quotidiens (Daily)											
1	Coton avec pré-lavage: blancs extrêmement sales.	90°	1000	●	●	●	7	62	1,90	68	155'
2	Coton standard (1): blancs et couleurs résistantes très sales.	60° (Max. 90°)	1000	-	●	●	7	62	1,19	52,5	205'
3	Coton standard (2): blancs et couleurs délicates peu sales.	40°	1000	-	●	●	7	62	0,81	65	195'
4	Synthétiques: couleurs résistantes très sales.	60°	800	-	●	●	3	44	0,78	33	105'
4	Synthétiques (3): couleurs résistantes peu sales.	40°	800	-	●	●	3	44	0,49	38	95'
5	Mix couleurs: blancs peu sales et couleurs délicates.	40°	1000	-	●	●	7	62	0,86	56	95'
Zone 20°											
6	Coton standard): blancs et couleurs délicates peu sales.	20°	1000	-	●	●	7	-	-	-	170'
7	Mix quotidien	20°	800	-	●	●	7	-	-	-	120'
8	20' fraîcheur	20°	800	-	●	●	1,5	-	-	-	20'
Spéciaux (Special)											
9	Soie et voilage: pour linge en soie, viscose, lingerie.	30°	0	-	●	●	1	-	-	-	55'
10	Laine: pour laine, cachemire, etc.	40°	800	-	●	●	1,5	-	-	-	70'
11	Jeans	40°	800	-	●	●	3	-	-	-	75'
Sport											
12	Sport Intensif	30°	600	-	●	●	3	-	-	-	85'
13	Sport Léger	30°	600	-	●	●	3	-	-	-	60'
14	Baskets	30°	600	-	●	●	Max. 2 Paires	-	-	-	55'
Programmes partiels											
	Rinçage	-	1000	-	-	●	7	-	-	-	36'
	Essorage + Vidange	-	1000	-	-	-	7	-	-	-	10'
	Vidange seulement *	-		-	-	-	7	-	-	-	3'

* En cas de sélection du programme  et de suppression de l'essorage, la machine n'effectuera que la vidange.

La durée du cycle indiquée sur l'écran ou dans la notice représente une estimation calculée dans des conditions standard. Le temps effectif peut varier en fonction de nombreux facteurs tels que : température et pression de l'eau en entrée, température ambiante, quantité de lessive, quantité et type de charge, équilibrage de la charge, options supplémentaires sélectionnées.

1) Programme de contrôle selon la réglementation 1061/2010: sélectionner le programme 2 et une température de 60°C.

Ce cycle convient au lavage d'une charge de coton normalement sale et c'est le plus performant en termes de consommation d'eau et d'énergie, l'utiliser pour du linge lavable à 60°C. La température effective de lavage peut différer de la température indiquée.

2) Programme de contrôle selon la réglementation 1061/2010: sélectionner le programme 3 et une température de 40°C.

Ce cycle convient au lavage d'une charge de coton normalement sale et c'est le plus performant en termes de consommation d'eau et d'énergie, l'utiliser pour du linge lavable à 40°C. La température effective de lavage peut différer de la température indiquée.

Pour tous les instituts qui effectuent ces tests :

2) Programme coton long: sélectionner le programme 3 et une température de 40°C.

3) Programme Synthétique ainsi que: sélectionner le programme 4 et une température de 40°C.

Sport Intensif (programme 12): est spécialement conçu pour laver des textiles vêtements de sport (survêtements, shorts, etc.) très sales; pour obtenir d'excellents résultats nous recommandons de ne pas dépasser la charge maximale indiquée dans le "Tableau des programmes".

Sport Léger (programme 13): est spécialement conçu pour laver des textiles vêtements de sport (survêtements, shorts, etc.) peu sales; pour obtenir d'excellents résultats nous recommandons de ne pas dépasser la charge maximale indiquée dans le "Tableau des programmes". Nous recommandons d'utiliser de la lessive liquide, avec une dose pour la demi-charge.

Baskets (programme 14): est spécialement conçu pour laver des chaussures de sport; pour obtenir d'excellents résultats nous recommandons de ne pas en laver plus de 2 paires à la fois.

Les programmes 20° (Zone 20°) offrent de bonnes performances de lavage aux basses températures avec une consommation d'électricité réduite qui permet de faire des économies tout en respectant l'environnement. Les programmes 20° satisfont toutes les exigences:

Coton standard (programme 6) idéal pour des charges de linge sale en coton. Les bonnes performances, même à froid, comparables à celles d'un lavage à 40°, sont assurées grâce à une action mécanique qui brasse en variant la vitesse et avec des pics répétés et rapprochés.

Mix quotidien (programme 7) idéal pour des charges mixtes (coton et synthétiques) moyennement sales. Les bonnes performances de lavage, même à froid, sont assurées grâce à une action mécanique qui brasse en variant la vitesse à des intervalles moyens et déterminés.

20' fraîcheur (programme 8) cycle idéal pour rafraîchir du linge peu sale en quelques minutes. Il ne dure que 20 minutes et permet ainsi de faire des économies de temps et d'énergie. Il permet de laver ensemble des textiles différents (sauf laine et soie) avec une charge maximum de 1,5 kg.

Sélection de la température

Tourner le bouton TEMPÉRATURE pour sélectionner la température de lavage (voir *Tableau des programmes*).

La température peut être abaissée jusqu'au lavage à froid (❄️). La machine interdira automatiquement toute sélection d'une température supérieure à la température maximale prévue pour chaque programme.

! Exception: lors de la sélection du programme **2** la température peut être augmentée jusqu'à 90°.

Sélection de l'essorage

Tourner le bouton ESSORAGE pour sélectionner la vitesse d'essorage du programme sélectionné.

Les vitesses maximales prévues pour les programmes sont:

Programmes	Vitesse maximale
Coton	1000 tours/minute
Synthétiques	800 tours/minute
Laine	800 tours/minute
Soie	vidange seule

La vitesse d'essorage peut être réduite ou l'essorage supprimé en sélectionnant le symbole (⊘).

La machine interdira automatiquement tout essorage à une vitesse supérieure à la vitesse maximale prévue pour chaque programme.

Fonctions

Les différentes fonctions de lavage prévues par le lave-linge permettent d'obtenir la propreté et le blanc souhaités.

Pour activer les fonctions:

1. appuyer sur la touche correspondant à la fonction désirée;
2. l'allumage du voyant correspondant signale que la fonction est activée.

Remarque:

- Si la fonction sélectionnée est incompatible avec le programme sélectionné, le voyant correspondant se met à clignoter et la fonction n'est pas activée.
- Si l'option sélectionnée est incompatible avec une autre fonction précédemment sélectionnée, le voyant correspondant à la première fonction se met à clignoter et seule la deuxième fonction est activée, le voyant de la touche s'allume au fixe.

EcoTime

La sélection de cette option permet d'optimiser les mouvements mécaniques, la température et l'eau en fonction d'une charge réduite de coton et synthétiques peu sales (voir *"Tableau des programmes"*). "EcoTime" permet de laver en faisant des économies considérables de temps et de consommations d'eau et d'énergie. Il est conseillé d'utiliser une dose de lessive liquide adaptée à la charge.

Energy Saver

La fonction Energy Saver h permet d'économiser l'énergie puisque l'eau utilisée pour la lessive n'est pas réchauffée : un plus pour l'environnement et pour votre facture d'électricité. L'action renforcée et l'optimisation de la consommation de l'eau garantissent d'excellents résultats pour une durée moyenne identique à celle d'un cycle standard. Pour de meilleurs résultats en matière de lavage, utilisez une lessive liquide.

Super Rinçage

La sélection de cette option permet d'augmenter l'efficacité du rinçage et d'éliminer totalement toute trace de lessive. Elle est très utile pour les peaux particulièrement sensibles

Départ différé

Pour différer la mise en marche de la machine jusqu'à 12 heures.

Appuyer plusieurs fois de suite sur la touche jusqu'à ce que le voyant correspondant au retard souhaité s'allume. A la cinquième pression sur la touche, la fonction se désactive.

N.B: Après avoir appuyé sur la touche START/PAUSE, le retard programmé ne peut être modifié que pour le diminuer jusqu'à lancer le programme sélectionné.

Produits lessiviels et linge

FR

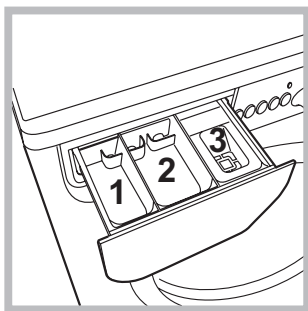
Tiroir à produits lessiviels

Un bon résultat de lavage dépend aussi d'un bon dosage de produit lessiviel: un excès de lessive ne lave pas mieux, il incruste l'intérieur du lave-linge et pollue l'environnement. Toutefois plus de linge signifie plus de saleté, c'est pourquoi pour obtenir d'excellents résultats à chaque lavage, vous devez ajuster la quantité de lessive nécessaire.

! Ne pas utiliser de lessives pour lavage à la main, elles moussent trop.

! Utiliser des lessives en poudre pour du linge en coton blanc et en cas de pré-lavage et de lavages à une température supérieure à 60°C.

! Respecter les indications figurant sur le paquet de lessive.



Sortir le tiroir à produits lessiviels et verser la lessive ou l'additif comme suit.

bac 1: Lessive pré-lavage (en poudre)

bac 2: Lessive lavage (en poudre ou liquide)

Versez la lessive liquide juste avant la mise en marche.

bac 3: Additifs (adoucissant, etc.)

L'assouplissant ne doit pas déborder de la grille.

Triage du linge

- Trier correctement le linge d'après:
 - le type de textile / le symbole sur l'étiquette.
 - les couleurs: séparer le linge coloré du blanc.
- Vider les poches et contrôler les boutons.
- Ne pas dépasser les valeurs indiquées dans le "Tableau des programmes" correspondant au poids de linge sec.


Combien pèse le linge ?

- 1 drap 400-500 g
- 1 taie d'oreiller 150-200 g
- 1 nappe 400-500 g
- 1 peignoir 900-1200 g
- 1 serviette éponge 150-250 g

Linge ou vêtements particuliers

Soie: sélectionner le programme de lavage spécial **9** pour vêtements en soie. Il est conseillé d'utiliser une lessive spéciale pour linge délicat.

Voilage: pliez-les bien et glissez-les dans une taie d'oreiller ou dans un sac genre filet. Sélectionner le programme **9**.

Laine: grâce au programme **10** vous pouvez laver à la machine tous vos vêtements en laine, y compris ceux qui portent l'étiquette " lavage à la main uniquement " . Pour obtenir d'excellents résultats utilisez un produit lessiviel spécial et ne dépassez pas une charge de 1,5 kg.

Jeans: mettez les jeans à l'envers avant de les laver et utilisez une lessive liquide. Sélectionnez le programme **11**.

Système d'équilibrage de la charge

Avant tout essorage, pour éviter toute vibration excessive et répartir le linge de façon uniforme, le lave-linge fait tourner le tambour à une vitesse légèrement supérieure à la vitesse de lavage. Si au bout de plusieurs tentatives, la charge n'est toujours pas correctement équilibrée, l'appareil procède à un essorage à une vitesse inférieure à la vitesse normalement prévue. En cas de déséquilibre excessif, le lave-linge préfère procéder à la répartition du linge plutôt qu'à son essorage. Pour une meilleure répartition de la charge et un bon équilibrage, nous conseillons de mélanger de grandes et petites pièces de linge.

Il peut arriver que le lave-linge ne fonctionne pas bien. Avant d'appeler le Service de dépannage (voir "Assistance"), contrôler s'il ne s'agit pas par hasard d'un problème facile à résoudre à l'aide de la liste suivante.

Anomalies:

Causes / Solutions possibles:

Le lave-linge ne s'allume pas.

- La fiche n'est pas branchée dans la prise de courant ou mal branchée.
- Il y a une panne de courant.

Le cycle de lavage ne démarre pas.

- Le hublot n'est pas bien fermé.
- La touche ON/OFF n'a pas été enfoncée.
- La touche START/PAUSE n'a pas été enfoncée.
- Le robinet de l'eau n'est pas ouvert.
- Un départ différé a été sélectionné (voir "Personnalisations").

Il n'y a pas d'arrivée d'eau (le voyant de la première phase de lavage clignote rapidement).

- Le tuyau d'arrivée de l'eau n'est pas raccordé au robinet.
- Le tuyau est plié.
- Le robinet de l'eau n'est pas ouvert.
- Il y a une coupure d'eau.
- La pression n'est pas suffisante.
- La touche START/PAUSE n'a pas été enfoncée.

Le lave-linge prend l'eau et vidange continuellement.

- Le tuyau de vidange n'est pas installé à une distance du sol comprise entre 65 et 100 cm (voir "Installation").
- L'extrémité du tuyau de vidange est plongée dans l'eau (voir "Installation").
- L'évacuation murale n'a pas d'évent.

Si après ces vérifications, le problème persiste, fermer le robinet de l'eau, éteindre la machine et appeler le service Assistance. Si l'appartement est situé en étage dans un immeuble, il peut y avoir des phénomènes de siphonnage qui font que le lave-linge prend et évacue l'eau continuellement. Pour supprimer cet inconvénient, on trouve dans le commerce des soupapes spéciales anti-siphonnage.

Le lave-linge ne vidange pas et n'essore pas.

- Le programme ne prévoit pas de vidange: pour certains programmes, il faut la faire partir manuellement.
- Le tuyau de vidange est plié (voir "Installation").
- La conduite d'évacuation est bouchée.

Le lave-linge vibre beaucoup pendant l'essorage.

- Le tambour n'a pas été débloqué comme il faut lors de l'installation du lave-linge (voir "Installation").
- Le lave-linge n'est pas posé à plat (voir "Installation").
- Le lave-linge est coincé entre des meubles et le mur (voir "Installation").

Le lave-linge a des fuites.

- Le tuyau d'arrivée de l'eau n'est pas bien vissé (voir "Installation").
- Le tiroir à produits lessiviels est bouché (pour le nettoyer voir "Entretien et soin").
- Le tuyau de vidange n'est pas bien fixé (voir "Installation").

Les voyants des options et le voyant START/PAUSE clignotent. Le voyant du phase de lavage et le voyant hublot bloqué restent fixes.

- Eteindre l'appareil et débrancher la fiche de la prise de courant, attendre 1 minute environ avant de rallumer.
Si l'anomalie persiste, appeler le service d'assistance.

Il y a un excès de mousse.

- Le produit de lavage utilisé n'est pas une lessive spéciale machine (il faut qu'il y ait l'inscription "pour lave-linge", "main et machine", ou autre semblable).
- La quantité utilisée est excessive.

Assistance

FR

Avant d'appeler le service après-vente:

- Vérifier si on ne peut pas résoudre l'anomalie par ses propres moyens (voir "*Anomalies et Remèdes*");
- Remettre le programme en marche pour contrôler si l'inconvénient a disparu;
- Autrement, contacter le Centre d'Assistance technique agréé au numéro de téléphone indiqué sur le certificat de garantie.

! Ne jamais s'adresser à des techniciens non agréés.

Communiquer:

- le type de panne;
- le modèle de l'appareil (Mod.);
- son numéro de série (S/N).

Ces informations se trouvent sur la plaque signalétique apposée à l'arrière du lave-linge et à l'avant quand on ouvre la porte hublot.



Italiano, 1

IWC 71051

Sommario

Installazione, 26-27

Disimballo e livellamento
Collegamenti idraulici ed elettrici
Primo ciclo di lavaggio
Dati tecnici

Manutenzione e cura, 28

Escludere acqua e corrente elettrica
Pulire la lavabiancheria
Pulire il cassetto dei detersivi
Curare oblò e cestello
Pulire la pompa
Controllare il tubo di alimentazione dell'acqua

Precauzioni e consigli, 29

Sicurezza generale
Smaltimento

Descrizione della lavabiancheria e avviare un programma, 30-31

Pannello di controllo
Spie
Avviare un programma

Programmi, 32

Tabella dei programmi

Personalizzazioni, 33

Impostare la temperatura
Impostare la centrifuga
Opzioni

Detersivi e biancheria, 34

Cassetto dei detersivi
Preparare la biancheria
Capi particolari
Sistema bilanciamento del carico

Anomalie e rimedi, 35

Assistenza, 36

Assistenza Attiva 7 giorni su 7

Installazione

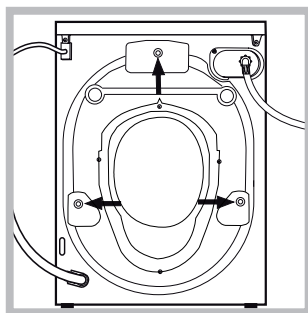
! È importante conservare questo libretto per poterlo consultare in ogni momento. In caso di vendita, di cessione o di trasloco, assicurarsi che resti insieme alla lavabiancheria per informare il nuovo proprietario sul funzionamento e sui relativi avvertimenti.

! Leggere attentamente le istruzioni: ci sono importanti informazioni sull'installazione, sull'uso e sulla sicurezza.

Disimballo e livellamento

Disimballo

1. Disimballare la lavabiancheria.
2. Controllare che la lavabiancheria non abbia subito danni nel trasporto. Se fosse danneggiata non collegarla e contattare il rivenditore.



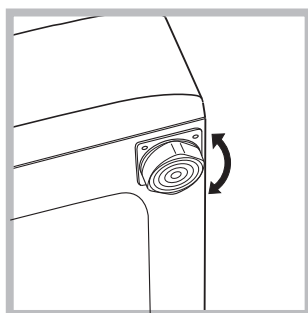
3. Rimuovere le 3 viti di protezione per il trasporto e il gommino con il relativo distanziale, posti nella parte posteriore (vedi figura).

4. Chiudere i fori con i tappi di plastica in dotazione.
5. Conservare tutti i pezzi: qualora la lavabiancheria debba essere trasportata, dovranno essere rimontati.

! Gli imballaggi non sono giocattoli per bambini.

Livellamento

1. Installare la lavabiancheria su un pavimento piano e rigido, senza appoggiarla a muri, mobili o altro.

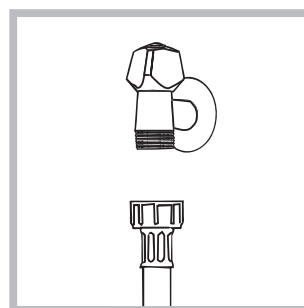


2. Se il pavimento non fosse perfettamente orizzontale, compensare le irregolarità svitando o avvitando i piedini anteriori (vedi figura); l'angolo di inclinazione, misurato sul piano di lavoro, non deve superare i 2°.

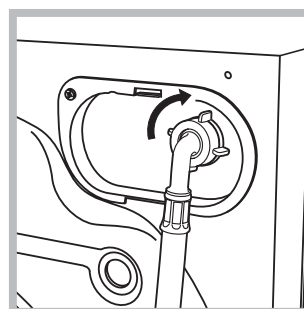
Un accurato livellamento dà stabilità alla macchina ed evita vibrazioni, rumori e spostamenti durante il funzionamento. In caso di moquette o di un tappeto, regolare i piedini in modo da conservare sotto la lavabiancheria uno spazio sufficiente per la ventilazione.

Collegamenti idraulici ed elettrici

Collegamento del tubo di alimentazione dell'acqua



1. Collegare il tubo di alimentazione avvitandolo a un rubinetto d'acqua fredda con bocca filettata da 3/4 (vedi figura). Prima di allacciare, far scorrere l'acqua finché non sia limpida.



2. Collegare il tubo di alimentazione alla lavabiancheria avvitandolo all'apposita presa d'acqua, nella parte posteriore in alto a destra (vedi figura).

3. Fare attenzione che nel tubo non ci siano né pieghe né strozzature.

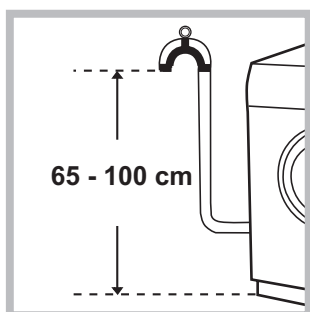
! La pressione idrica del rubinetto deve essere compresa nei valori della tabella Dati tecnici (vedi pagina a fianco).

! Se la lunghezza del tubo di alimentazione non fosse sufficiente, rivolgersi a un negozio specializzato o a un tecnico autorizzato.

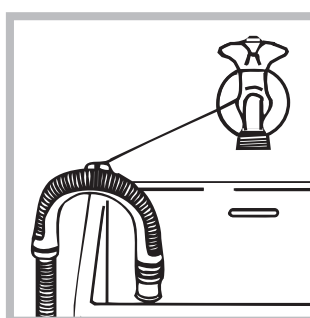
! Non utilizzare mai tubi già usati.

! Utilizzare quelli in dotazione alla macchina.

Collegamento del tubo di scarico



Collegare il tubo di scarico, senza piegarlo, a una conduttura di scarico o a uno scarico a muro posti tra 65 e 100 cm da terra.



In alternativa, appoggiare il tubo di scarico al bordo di un lavandino o di una vasca, legando la guida (acquistabile presso il servizio assistenza) al rubinetto (vedi figura). L'estremità libera del tubo di

scarico non deve rimanere immersa nell'acqua.

! È sconsigliato usare tubi di prolunga; se indispensabile, la prolunga deve avere lo stesso diametro del tubo originale e non superare i 150 cm.

Collegamento elettrico

Prima di inserire la spina nella presa della corrente, accertarsi che:

- la presa abbia la messa a terra e sia a norma di legge;
- la presa sia in grado di sopportare il carico massimo di potenza della macchina, indicato nella tabella Dati tecnici (vedi a fianco);
- la tensione di alimentazione sia compresa nei valori indicati nella tabella Dati tecnici (vedi a fianco);
- la presa sia compatibile con la spina della lavabiancheria. In caso contrario sostituire la presa o la spina.

! La lavabiancheria non va installata all'aperto, nemmeno se lo spazio è riparato, perché è molto pericoloso lasciarla esposta a pioggia e temporali.

! A lavabiancheria installata, la presa della corrente deve essere facilmente raggiungibile.

! Non usare prolunghe e multiple.



! Il cavo non deve subire piegature o compressioni.

! Il cavo di alimentazione deve essere sostituito solo da tecnici autorizzati.

Attenzione! L'azienda declina ogni responsabilità qualora queste norme non vengano rispettate.

Primo ciclo di lavaggio

Dopo l'installazione, prima dell'uso, effettuare un ciclo di lavaggio con detersivo e senza biancheria impostando il programma 2.

Dati tecnici	
Modello	IWC 71051
Dimensioni	larghezza cm 59,5 altezza cm 85 profondità cm 51,7
Capacità	da 1 a 7 kg
Collegamenti elettrici	vedi la targhetta caratteristiche tecniche applicata sulla macchina
Collegamenti idrici	pressione massima 1 MPa (10 bar) pressione minima 0,05 MPa (0,5 bar) capacità del cesto 46 litri
Velocità di centrifuga	sino a 1000 giri al minuto
Programmi di controllo secondo il regolamento 1061/2010 e 1015/2010	programma 2; Cotone standard 60°C. programma 3; Cotone standard 40°C.
 	Questa apparecchiatura è conforme alle seguenti Direttive Comunitarie: - EMC 2014/30/EU (Compatibilità Elettromagnetica) - 2012/19/EU - (WEEE) - LVD 2014/35/EU (Bassa Tensione)

Manutenzione e cura

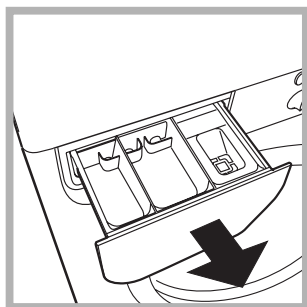
Escludere acqua e corrente elettrica

- Chiudere il rubinetto dell'acqua dopo ogni lavaggio. Si limita così l'usura dell'impianto idraulico della lavabiancheria e si elimina il pericolo di perdite.
- Staccare la spina della corrente quando si pulisce la lavabiancheria e durante i lavori di manutenzione.

Pulire la lavabiancheria

La parte esterna e le parti in gomma possono essere puliti con un panno imbevuto di acqua tiepida e sapone. Non usare solventi o abrasivi.

Pulire il cassetto dei detersivi



Sfilare il cassetto sollevandolo e tirandolo verso l'esterno (vedi figura).

Lavarlo sotto l'acqua corrente; questa pulizia va effettuata frequentemente.

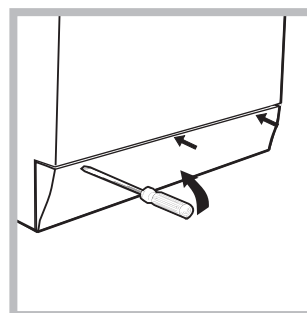
Curare oblò e cestello

- Lasciare sempre socchiuso l'oblò per evitare che si formino cattivi odori.

Pulire la pompa

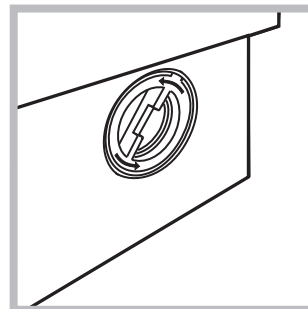
La lavabiancheria è dotata di una pompa autopulente che non ha bisogno di manutenzione. Può però succedere che piccoli oggetti (monete, bottoni) cadano nella precamera che protegge la pompa, situata nella parte inferiore di essa.

! Assicurarsi che il ciclo di lavaggio sia terminato e staccare la spina.



Per accedere alla precamera:

1. rimuovere il pannello di copertura sul lato anteriore della lavabiancheria con l'ausilio di un giravite (vedi figura);



2. svitare il coperchio ruotandolo in senso antiorario (vedi figura); è normale che fuoriesca un po' d'acqua;

3. pulire accuratamente l'interno;
4. riavvitare il coperchio;
5. rimontare il pannello assicurandosi, prima di spingerlo verso la macchina, di aver inserito i ganci nelle apposite asole.

Controllare il tubo di alimentazione dell'acqua

Controllare il tubo di alimentazione almeno una volta all'anno. Se presenta screpolature e fessure va sostituito: durante i lavaggi le forti pressioni potrebbero provocare improvvise spaccature.

! Non utilizzare mai tubi già usati.

! La lavabiancheria è stata progettata e costruita in conformità alle norme internazionali di sicurezza. Queste avvertenze sono fornite per ragioni di sicurezza e devono essere lette attentamente.

Sicurezza generale

- Questo apparecchio è stato concepito esclusivamente per un uso di tipo domestico.
- Questo apparecchio può essere usato da bambini da 8 anni in su e da persone con capacità fisiche, sensoriali o mentali ridotte o con esperienza e conoscenze insufficienti se sono supervisionati o se hanno ricevuto adeguata formazione in merito all'uso dell'apparecchio in modo sicuro e capendo i pericoli connessi. I bambini non devono giocare con l'apparecchio. Manutenzione e pulizia non devono essere effettuati dai bambini senza supervisione.
- La lavabiancheria deve essere usata solo da persone adulte e secondo le istruzioni riportate in questo libretto.
- Non toccare la macchina a piedi nudi o con le mani o i piedi bagnati o umidi.
- Non staccare la spina dalla presa della corrente tirando il cavo, bensì afferrando la spina.
- Non aprire il cassetto dei detersivi mentre la macchina è in funzione.
- Non toccare l'acqua di scarico, che può raggiungere temperature elevate.
- Non forzare in nessun caso l'oblò: potrebbe danneggiarsi il meccanismo di sicurezza che protegge da aperture accidentali.
- In caso di guasto, in nessun caso accedere ai meccanismi interni per tentare una riparazione.
- Controllare sempre che i bambini non si avvicinino alla macchina in funzione.
- Durante il lavaggio l'oblò tende a scaldarsi.
- Se dev'essere spostata, lavorare in due o tre persone con la massima attenzione. Mai da soli perché la macchina è molto pesante.
- Prima di introdurre la biancheria controlla che il cestello sia vuoto.

Smaltimento

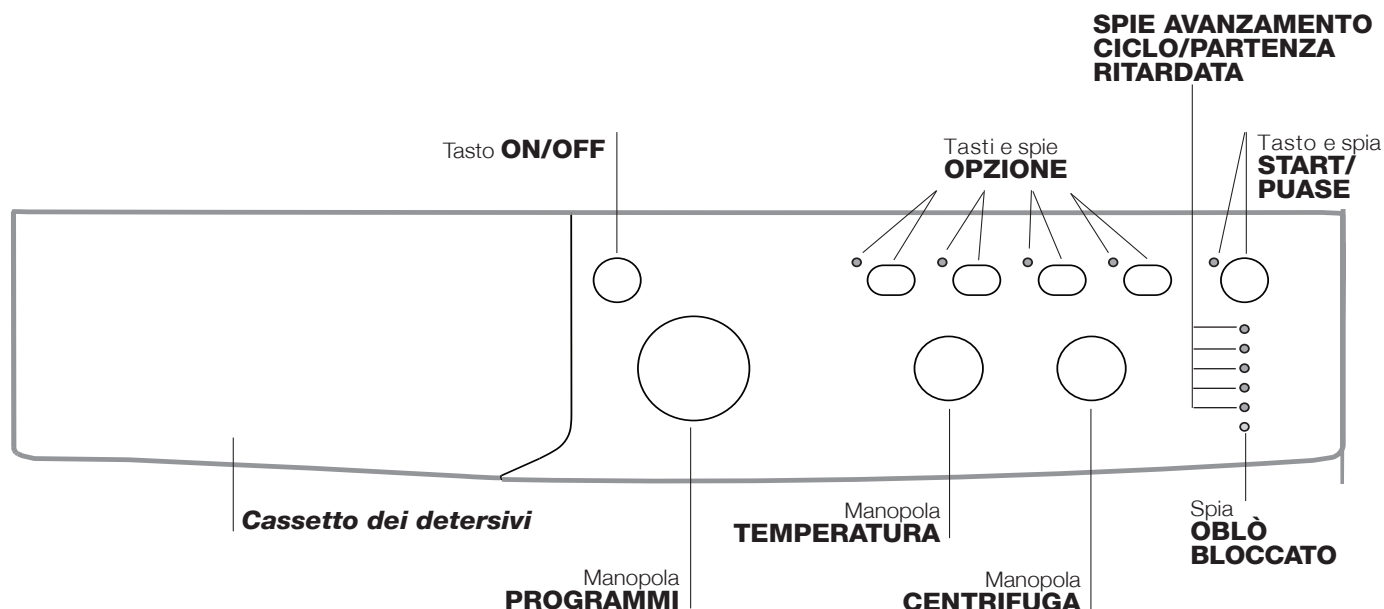
- Smaltimento del materiale di imballaggio: attenersi alle norme locali, così gli imballaggi potranno essere riutilizzati.
- La direttiva Europea 2012/19/EU (WEEE) sui rifiuti di apparecchiature elettriche ed elettroniche, prevede che gli elettrodomestici non debbano essere smaltiti nel normale flusso dei rifiuti solidi urbani. Gli apparecchi dismessi devono essere raccolti separatamente per

ottimizzare il tasso di recupero e riciclaggio dei materiali che li compongono ed impedire potenziali danni per la salute e l'ambiente. Il simbolo del cestino barrato è riportato su tutti i prodotti per ricordare gli obblighi di raccolta separata.

Per ulteriori informazioni, sulla corretta dismissione degli elettrodomestici, i detentori potranno rivolgersi al servizio pubblico preposto o ai rivenditori.

Descrizione della lavabiancheria e avviare un programma

Pannello di controllo



Cassetto dei detersivi: per caricare detersivi e additivi (vedi "Detersivi e biancheria").

Tasto ON/OFF: per accendere e spegnere la lavabiancheria.

Manopola PROGRAMMI: per impostare i programmi. Durante il programma la manopola resterà ferma.

Tasti e spie OPZIONE: per selezionare le opzioni disponibili. La spia relativa all'opzione selezionata rimarrà accesa.

Manopola CENTRIFUGA: per impostare la centrifuga o escluderla (vedi "Personalizzazioni").

Manopola TEMPERATURA: per impostare la temperatura o il lavaggio a freddo (vedi "Personalizzazioni").


SPIE AVANZAMENTO CICLO/PARTENZA RITARDATA: per seguire lo stato di avanzamento del programma di lavaggio.

La spia accesa indica la fase in corso.

Se è stata impostata l'opzione "Partenza Ritardata", indicheranno il tempo mancante all'avvio del programma (vedi pagina a fianco).

Spia OBLÒ BLOCCATO: per capire se l'oblò è apribile (vedi pagina a fianco).

Tasto e spia START/PUASE: per avviare i programmi o interromperli momentaneamente.

N.B.: per mettere in pausa il lavaggio in corso, premere questo tasto, la spia relativa lampeggerà con colore arancione mentre quella della fase in corso sarà accesa fissa. Se la spia OBLÒ BLOCCATO  sarà spenta, si potrà aprire l'oblò (attendere 3 minuti circa). Per far ripartire il lavaggio dal punto in cui è stato interrotto, premere nuovamente questo tasto.

Standby

Questa lavatrice, in conformità alle nuove normative legate al risparmio energetico, è dotata di un sistema di autospegnimento (stand by) che entra in funzione dopo circa 30 minuti nel caso di non utilizzo. Premere brevemente il tasto ON-OFF e attendere che la macchina si riattivi.

Consumo in off-mode: 0,5 W

Consumo in Left-on: 8 W

Spie

Le spie forniscono informazioni importanti. Ecco che cosa dicono:

Partenza ritardata

Se è stata attivata l'opzione "Partenza ritardata" (vedi "Personalizzazioni"), dopo avere avviato il programma, inizierà a lampeggiare la spia relativa al ritardo selezionato:



Col trascorrere del tempo verrà visualizzato il ritardo residuo con il lampeggio della spia relativa:



Trascorso il ritardo selezionato avrà inizio il programma impostato.

Spie fase in corso

Una volta selezionato e avviato il ciclo di lavaggio desiderato, le spie si accenderanno progressivamente per indicarne lo stato di avanzamento:



Tasti opzione e relative spie

Selezionando un'opzione la spia relativa si illuminerà. Se l'opzione selezionata non è compatibile con il programma impostato la spia relativa lampeggerà e l'opzione non verrà attivata.


Se l'opzione selezionata non è compatibile con un'altra precedentemente impostata, la spia relativa alla prima funzione selezionata lampeggerà e verrà attivata solo la seconda, la spia dell'opzione attivata si illuminerà.

Spia oblò bloccato

La spia accesa indica che l'oblò è bloccato per impedire l'apertura; per aprire l'oblò è necessario che la spia sia spenta (attendere 3 minuti circa).

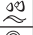



Per aprire l'oblò mentre un ciclo è in corso premere il pulsante START/PUASE; se la spia OBLÒ BLOCCATO è spenta sarà possibile aprire l'oblò.


Avviare un programma

1. Accendere la lavabiancheria premendo il tasto ON/OFF. Tutte le spie si accenderanno per qualche secondo, poi si spegneranno e pulserà la spia START/PUASE.
2. Caricare la biancheria e chiudere l'oblò.
3. Impostare con la manopola PROGRAMMI il programma desiderato.
4. Impostare la temperatura di lavaggio (vedi "Personalizzazioni").
5. Impostare la velocità di centrifuga (vedi "Personalizzazioni").
6. Versare detersivo e additivi (vedi "Detersivi e biancheria").
7. Selezionare le opzioni desiderate.
8. Avviare il programma premendo il tasto START/PUASE e la spia relativa rimarrà accesa fissa di colore verde. Per annullare il ciclo impostato mettere la macchina in pausa premendo il tasto START/PUASE e scegliere un nuovo ciclo.
9. Al termine del programma si illuminerà la spia **END**. Quando la spia OBLÒ BLOCCATO  si spegnerà sarà possibile aprire l'oblò (attendere 3 minuti circa). Estrarre la biancheria e lasciare l'oblò socchiuso per far asciugare il cestello. Spegner la lavabiancheria premendo il tasto ON/OFF.

Programmi

Tabella dei programmi

Programmi	Descrizione del Programma	Temp. max. (°C).	Velocità max. (giri al minuto)	Detersivi			Carico max. (Kg)	Umidità residua %	Consumo energia kWh	Acqua totale lt	Durata ciclo
				Prelavaggio	Lavaggio	Ammorbidente					
Giornalieri											
1	Cotone con prelavaggio: bianchi estremamente sporchi.	90°	1000	●	●	●	7	62	1,90	68	155'
2	Cotone standard: (1): bianchi e colorati resistenti molto sporchi.	60° (Max. 90°)	1000	-	●	●	7	62	1,19	52,5	205'
3	Cotone standard: (2): bianchi poco sporchi e colori delicati.	40°	1000	-	●	●	7	62	0,81	65	195'
4	Sintetici: colori resistenti molto sporchi.	60°	800	-	●	●	3	44	0,78	33	105'
4	Sintetici (3): colori resistenti poco sporchi.	40°	800	-	●	●	3	44	0,49	38	95'
5	Mix colorati: bianchi poco sporchi e colori delicati.	40°	1000	-	●	●	7	62	0,86	56	95'
Zona 20°											
6	Cotone standard: bianchi poco sporchi e colori delicati.	20°	1000	-	●	●	7	-	-	-	170'
7	Mix light	20°	800	-	●	●	7	-	-	-	120'
8	20' refresh	20°	800	-	●	●	1,5	-	-	-	20'
Speciali											
9	Seta e tende: per capi in seta, viscosa, lingerie.	30°	0	-	●	●	1	-	-	-	55'
10	Lana: per lana, cachemire, ecc.	40°	800	-	●	●	1,5	-	-	-	70'
11	Jeans	40°	800	-	●	●	3	-	-	-	75'
Sport											
12	Sport Intensive	30°	600	-	●	●	3	-	-	-	85'
13	Sport Light	30°	600	-	●	●	3	-	-	-	60'
14	Sport Shoes	30°	600	-	●	●	Max. 2 paia	-	-	-	55'
Parziali											
	Risciacquo	-	1000	-	-	●	7	-	-	-	36'
	Centrifuga + Scarico	-	1000	-	-	-	7	-	-	-	10'
	Solo Scarico *	-		-	-	-	7	-	-	-	3'

* Selezionando il programma  ed escludendo la centrifuga la macchina effettuerà solo lo scarico.

La durata del ciclo indicata sul display o su questo libretto è una stima calcolata in base a condizioni standard. Il tempo effettivo può variare in base a numerosi fattori quali la temperatura e la pressione dell'acqua in ingresso, la temperatura ambiente, la quantità di detersivo, la quantità ed il tipo di carico, il bilanciamento del carico, le opzioni aggiuntive selezionate.

1) Programma di controllo secondo il regolamento 1061/2010: impostare il programma 2 con una temperatura di 60°C.

Questo ciclo è adatto per pulire un carico di cotone normalmente sporco ed è il più efficiente in termini di consumo combinato di energia e di acqua, da usare su capi lavabili a 60°. La temperatura effettiva di lavaggio può differire da quella indicata.

2) Programma di controllo secondo il regolamento 1061/2010: impostare il programma 3 con una temperatura di 40°C.

Questo ciclo è adatto per pulire un carico di cotone normalmente sporco ed è il più efficiente in termini di consumo combinato di energia e di acqua, da usare su capi lavabili a 40°. La temperatura effettiva di lavaggio può differire da quella indicata.

Per tutti Test Institutes:

2) Programma cotone lungo: impostare il programma 3 con una temperatura di 40°C.

3) Programma sintetico lungo: impostare il programma 4 con una temperatura di 40°C.

Sport Intensive (programma 12) è studiato per lavare tessuti per abbigliamento sportivo (tute, calzoncini, ecc.) molto sporchi; per ottenere i migliori risultati è consigliabile non superare il carico massimo indicato nella "Tabella dei programmi".

Sport Light (programma 13) è studiato per lavare tessuti per abbigliamento sportivo (tute, calzoncini, ecc.) poco sporchi; per ottenere i migliori risultati è consigliabile non superare il carico massimo indicato nella "Tabella dei programmi". Si raccomanda di usare detersivo liquido, usare una dose adatta a mezzo carico.

Sport Shoes (programma 14) è studiato per lavare scarpe sportive; per ottenere i migliori risultati non lavarne più di 2 paia.

I programmi 20° (Zona 20°) offrono buone performance di lavaggio a basse temperature consentendo un minore utilizzo di energia elettrica con un risparmio economico e un beneficio per l'ambiente. I programmi 20° rispondono a tutte le esigenze:

Cotone standard (programma 6) ideale per carichi in cotone sporchi. Le buone performance anche a freddo, comparabili con un lavaggio a 40°, sono garantite da un'azione meccanica che lavora con variazione di velocità a picchi ripetuti e ravvicinati.

Mix light (programma 7) ideale per carichi misti (cotone e sintetici) mediamente sporchi. Le buone performance di lavaggio anche a freddo sono garantite da un'azione meccanica che lavora con variazione di velocità su intervalli medi e determinati.

20' refresh (programma 8) ciclo ideale per rinfrescare e lavare capi leggermente sporchi in pochi minuti. Dura solo 20 minuti e fa così risparmiare tempo ed energia. E' possibile lavare insieme tessuti di diversa natura (esclusi lana e seta) con un carico massimo di 1,5 kg.

Impostare la temperatura

Ruotando la manopola TEMPERATURA si imposta la temperatura di lavaggio (vedi *Tabella programmi*).

La temperatura si può ridurre sino al lavaggio a freddo (❄). La macchina impedirà automaticamente di impostare una temperatura maggiore a quella massima prevista per ogni programma.

! Eccezione: selezionando il programma **2** la temperatura può essere portata sino a 90°.

Impostare la centrifuga

Ruotando la manopola CENTRIFUGA si imposta la velocità di centrifuga del programma selezionato.

Le velocità massime previste per i programmi sono:

Programmi	Velocità massima
Cotone	1000 giri al minuto
Sintetici	800 giri al minuto
Lana	800 giri al minuto
Seta	solo scarico

La velocità di centrifuga può essere ridotta, oppure esclusa selezionando il simbolo (⊘).

La macchina impedirà automaticamente di effettuare una centrifuga maggiore a quella massima prevista per ogni programma.

Opzioni

Le varie opzioni di lavaggio previste dalla lavabiancheria permettono di ottenere la pulizia e il bianco desiderati.

Per attivare le opzioni:

1. premere il tasto relativo all'opzione desiderata;
2. l'accensione della spia relativa segnala che l'opzione è attiva.

Nota:

- Se l'opzione selezionata non è compatibile con il programma impostato la spia relativa lampeggerà e l'opzione non verrà attivata.
- Se l'opzione selezionata non è compatibile con un'altra precedentemente impostata, la spia relativa alla prima funzione selezionata lampeggerà e verrà attivata solo la seconda, la spia dell'opzione attivata si illuminerà.

EcoTime

Selezionando questa opzione la movimentazione meccanica, la temperatura e l'acqua sono ottimizzate per un carico ridotto di cotone e sintetici poco sporchi (vedi *"Tabella dei programmi"*).

Con **"EcoTime"** puoi lavare in tempi ridotti, risparmiando acqua ed energia. Si consiglia di utilizzare una dose di detersivo liquido adatta alla quantità di carico.

Energy Saver

L'opzione **Energy Saver** risparmia energia non riscaldando l'acqua utilizzata per lavare i tuoi capi, un vantaggio sia per l'ambiente che per la tua bolletta dell'elettricità. Al contrario, un'azione meccanica intensificata ed un utilizzo ottimizzato dell'acqua assicurano ottimi risultati di lavaggio nello stesso tempo di un ciclo standard.

Per i migliori risultati di lavaggio, raccomandiamo l'utilizzo di detersivo liquido.

Extra Risciacquo

Selezionando questa opzione si aumenta l'efficacia del risciacquo, e si assicura la massima rimozione del detersivo. E' utile per pelli particolarmente sensibili.

Partenza ritardata

Ritarda l'avvio della macchina sino a 12 ore.

Premere più volte il tasto fino a far accendere la spia relativa al ritardo desiderato. Alla quinta pressione del tasto la l'opzione si disattiverà.

N.B.: Una volta premuto il tasto START/PUASE, si può modificare il valore del ritardo solo diminuendolo fino ad avviare il programma impostato.

Detersivi e biancheria

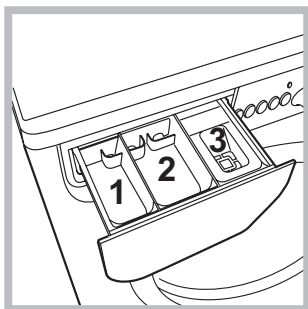
Cassetto dei detersivi

Il buon risultato del lavaggio dipende anche dal corretto dosaggio del detersivo: eccedendo non si lava in modo più efficace e si contribuisce a incrostare le parti interne della lavabiancheria e a inquinare l'ambiente.

! Non usare detersivi per il lavaggio a mano, perché formano troppa schiuma.

! Usare detersivi in polvere per capi in cotone bianchi e per il prelavaggio e per lavaggi con temperatura superiore a 60°C.

! Seguire le indicazioni riportate sulla confezione di detersivo.



Estrarre il cassetto dei detersivi e inserire il detersivo o l'additivo come segue.

vaschetta 1: Detersivo per prelavaggio (in polvere)

vaschetta 2: Detersivo per lavaggio (in polvere o liquido)

Il detersivo liquido va versato solo prima dell'avvio.

vaschetta 3: Additivi (ammorbidente, ecc.)

L'ammorbidente non deve fuoriuscire dalla griglia.

Preparare la biancheria

- Suddividere la biancheria secondo:
 - il tipo di tessuto / il simbolo sull'etichetta.
 - i colori: separare i capi colorati da quelli bianchi.
- Vuotare le tasche e controllare i bottoni.
- Non superare i valori indicati nella "Tabella dei Programmi" riferiti al peso della biancheria asciutta.

Quanto pesa la biancheria?

- 1 lenzuolo 400-500 gr.
- 1 federa 150-200 gr.
- 1 tovaglia 400-500 gr.
- 1 accappatoio 900-1.200 gr.
- 1 asciugamano 150-250 gr.

Capi particolari

Seta: utilizzare l'apposito programma **9** per lavare tutti i capi in seta. Si consiglia l'utilizzo di un detersivo specifico per capi delicati.

Tende: si raccomanda di piegarle e sistemarle dentro una federa o un sacchetto a rete. Utilizzare il programma **9**.

Lana: con il programma **10** è possibile lavare in lavatrice tutti i capi in lana, anche quelli con l'etichetta "solo lavaggio a mano" . Per ottenere i migliori risultati utilizzare un detersivo specifico e non superare 1,5 kg di bucato.

Jeans: rovesciare i capi prima del lavaggio ed utilizzare un detersivo liquido. Utilizzare il programma **11**.

Sistema bilanciamento del carico

Prima di ogni centrifuga, per evitare vibrazioni eccessive e per distribuire il carico in modo uniforme, il cestello effettua delle rotazioni ad una velocità leggermente superiore a quella del lavaggio. Se al termine di ripetuti tentativi il carico non fosse ancora correttamente bilanciato la macchina effettua la centrifuga ad una velocità inferiore a quella prevista. In presenza di eccessivo sbilanciamento la lavabiancheria effettua la distribuzione anziché la centrifuga. Per favorire una migliore distribuzione del carico e il suo corretto bilanciamento si consiglia di mescolare capi grandi e piccoli.

Può accadere che la lavabiancheria non funzioni. Prima di telefonare all'Assistenza (vedi "Assistenza"), controllare che non si tratti di un problema facilmente risolvibile aiutandosi con il seguente elenco.

Anomalie:

La lavabiancheria non si accende.

Il ciclo di lavaggio non inizia.

La lavabiancheria non carica acqua (lampeggia velocemente la spia della prima fase di lavaggio).

La lavabiancheria carica e scarica acqua di continuo.

La lavabiancheria non scarica o non centrifuga.

La lavabiancheria vibra molto durante la centrifuga.

La lavabiancheria perde acqua.

Le spie delle "opzioni" e la spia di "START/PUASE" lampeggiano e una delle spie della "fase in corso" e di "oblò bloccato" si accendono fisse.

Si forma troppa schiuma.

Possibili cause / Soluzione:

- La spina non è inserita nella presa della corrente, o non abbastanza da fare contatto.
- In casa non c'è corrente.

- L'oblò non è ben chiuso.
- Il tasto ON/OFF non è stato premuto.
- Il tasto START/PUASE non è stato premuto.
- Il rubinetto dell'acqua non è aperto.
- Si è impostato un ritardo sull'ora di avvio.

- Il tubo di alimentazione dell'acqua non è collegato al rubinetto.
- Il tubo è piegato.
- Il rubinetto dell'acqua non è aperto.
- In casa manca l'acqua.
- Non c'è sufficiente pressione.
- Il tasto START/PUASE non è stato premuto.

- Il tubo di scarico non è installato fra 65 e 100 cm da terra (vedi "Installazione").
- L'estremità del tubo di scarico è immersa nell'acqua (vedi "Installazione").
- Lo scarico a muro non ha lo sfiato d'aria.

Se dopo queste verifiche il problema non si risolve, chiudere il rubinetto dell'acqua, spegnere la lavabiancheria e chiamare l'Assistenza. Se l'abitazione si trova agli ultimi piani di un edificio, è possibile che si verifichino fenomeni di sifonaggio, per cui la lavabiancheria carica e scarica acqua di continuo. Per eliminare l'inconveniente sono disponibili in commercio apposite valvole anti-sifonaggio.

- Il programma non prevede lo scarico: con alcuni programmi occorre avviarlo manualmente.
- Il tubo di scarico è piegato (vedi "Installazione").
- La conduttura di scarico è ostruita.

- Il cestello, al momento dell'installazione, non è stato sbloccato correttamente (vedi "Installazione").
- La lavabiancheria non è in piano (vedi "Installazione").
- La lavabiancheria è stretta tra mobili e muro (vedi "Installazione").

- Il tubo di alimentazione dell'acqua non è ben avvitato (vedi "Installazione").
- Il cassetto dei detersivi è intasato (per pulirlo vedi "Manutenzione e cura").
- Il tubo di scarico non è fissato bene (vedi "Installazione").

- Spegnere la macchina e togliere la spina dalla presa, attendere circa 1 minuto quindi riaccenderla.
Se l'anomalia persiste, chiamare l'Assistenza.

- Il detersivo non è specifico per lavabiancheria (deve esserci la dicitura "per lavatrice", "a mano e in lavatrice", o simili).
- Il dosaggio è stato eccessivo.

Assistenza

Prima di contattare l'Assistenza:

- Verificare se l'anomalia può essere risolta da soli (*vedi "Anomalie e rimedi"*);
- Riavviare il programma per controllare se l'inconveniente è stato oviato;
- In caso negativo, contattare il Numero Unico 02.20.30.

! Non ricorrere mai a tecnici non autorizzati.

Comunicare:

- il tipo di anomalia;
- il modello della macchina (Mod.);
- il numero di serie (S/N).

Queste informazioni si trovano sulla targhetta applicata nella parte posteriore della lavabiancheria e nella parte anteriore aprendo l'oblò.

Assistenza Attiva 7 giorni su 7

In caso di necessità d'intervento chiamare il Numero Unico Nazionale 02.20.30.

Un operatore sarà a completa disposizione per fissare un appuntamento con il Centro Assistenza Tecnico Autorizzato più vicino al luogo da cui si chiama.

È attivo 7 giorni su 7, sabato e domenica compresi, e non lascia mai inascoltata una richiesta.

ES

Español

IWC 71051

Sumario

Instalación, 38-39

Desembalaje y nivelación
Conexiones hidráulicas y eléctricas
Primer ciclo de lavado
Datos técnicos

Mantenimiento y cuidados, 40

Interrumpir el agua y la corriente eléctrica
Limpiar la lavadora
Limpiar el contenedor de detergentes
Cuidar la puerta y el cesto
Limpiar la bomba
Controlar el tubo de alimentación de agua

Precauciones y consejos, 41

Seguridad general
Eliminaciones

Descripción de la lavadora y comienzo de un programa, 42-43

Panel de control
Pilotos
Poner en marcha un programa

Programas, 44

Tabla de programas

Personalizaciones, 45

Seleccionar la temperatura
Seleccionar el centrifugado
Funciones

Detergentes y ropa, 46

Contenedor de detergentes
Preparar la ropa
Prendas especiales
Sistema de equilibrado de la carga

Anomalías y soluciones, 47

Asistencia, 48

Instalación

ES

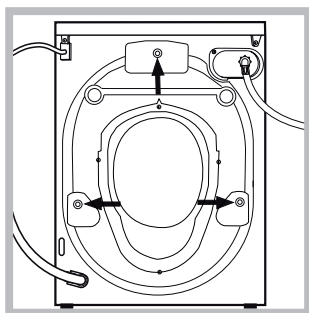
! Es importante conservar este manual para poder consultarlo en cualquier momento. En caso de venta, de cesión o de traslado, verifique que permanezca junto con la lavadora para informar al nuevo propietario sobre el funcionamiento y brindar las correspondientes advertencias.

! Lea atentamente las instrucciones: ellas contienen importante información sobre la instalación, el uso y la seguridad.

Desembalaje y nivelación

Desembalaje

1. Desembale la lavadora.
2. Controle que la lavadora no haya sufrido daños durante el transporte. Si estuviera dañada no la conecte y llame al revendedor.



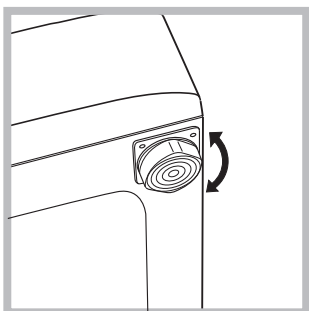
3. Quite los 3 tornillos de protección para el transporte y la arandela de goma con el correspondiente distanciador ubicados en la parte posterior (ver la figura).

4. Cubra los orificios con los tapones de plástico suministrados con el aparato.
5. Conserve todas las piezas: cuando la lavadora deba ser transportada nuevamente, deberán volver a colocarse.

! Los embalajes no son juguetes para los niños.

Nivelación

1. Instale la lavadora sobre un piso plano y rígido, sin apoyarla en las paredes, muebles ni en ningún otro aparato.

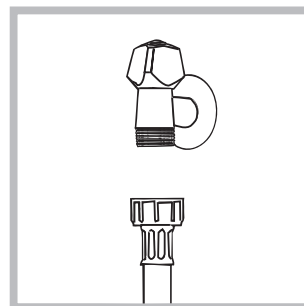


2. Si el piso no está perfectamente horizontal, compense las irregularidades desenroscando o enroscando las patas delanteras (ver la figura); el ángulo de inclinación medido sobre la superficie de trabajo, no debe superar los 2°.

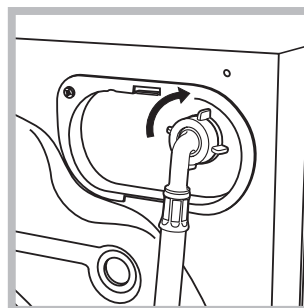
Una cuidadosa nivelación brinda estabilidad a la máquina y evita vibraciones, ruidos y desplazamientos durante el funcionamiento. Cuando se instala sobre moquetas o alfombras, regule los pies para conservar debajo de la lavadora un espacio suficiente para la ventilación.

Conexiones hidráulicas y eléctricas

Conexión del tubo de alimentación de agua



1. Conectar el tubo de tubo enroscándolo a un grifo de agua fría con la boca roscada de 3/4 (ver la figura). Antes de conectarlo, haga correr el agua hasta que esté limpia.



2. Conecte el tubo de alimentación a la lavadora enroscándolo en la toma de agua correspondiente ubicada en la parte posterior derecha (arriba) (ver la figura).

3. Controle que en el tubo no hayan pliegues ni estrangulaciones.

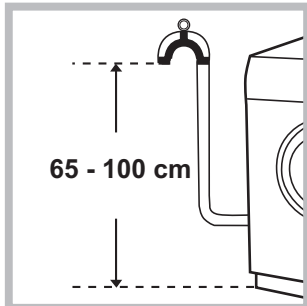
! La presión de agua del grifo debe estar comprendida dentro de los valores contenidos en la tabla de Datos técnicos (ver la página correspondiente).

! Si la longitud del tubo de alimentación no es la suficiente, diríjase a un negocio especializado o a un técnico autorizado.

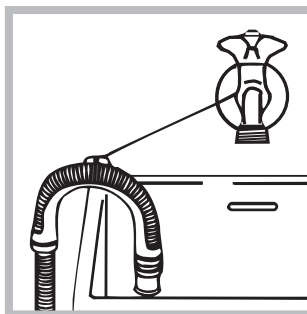
! No utilice nunca tubos ya usados.

! Utilice los suministrados con la máquina.

Conexión del tubo de descarga



Conecte el tubo de descarga, sin plegarlo, a una tubería de descarga o a una descarga de pared colocadas a una altura del piso entre 65 y 100 cm.



Otra alternativa es apoyar el tubo de desagüe en el borde de un lavamanos o de una bañera, uniendo la guía (puesta a disposición para la venta por el servicio de asistencia) al grifo (ver la figura). El extremo libre del tubo

de descarga no debe permanecer sumergido en el agua.

! No se aconseja utilizar tubos de prolongación, si fuera indispensable hacerlo, la prolongación debe tener el mismo diámetro del tubo original y no superar los 150 cm.

Conexión eléctrica

Antes de enchufar el aparato, verifique que:

- la toma tenga la conexión a tierra y haya sido hecha según las normas legales;
- la toma sea capaz de soportar la carga máxima de potencia de la máquina indicada en la tabla de Datos técnicos (ver al costado);
- la tensión de alimentación esté comprendida dentro de los valores indicados en la tabla de Datos técnicos (ver al costado);
- la toma sea compatible con el enchufe de la lavadora. Si no es así, sustituya la toma o el enchufe.

! La lavadora no debe ser instalada al aire libre, ni siquiera si el lugar está reparado, ya que es muy peligroso dejarla expuesta a la lluvia o a las tormentas.

! Una vez instalada la lavadora, la toma de corriente debe ser fácilmente accesible.

! No utilice prolongaciones ni conexiones múltiples.

! El cable no debe estar plegado ni sufrir compresiones.

! El cable de alimentación debe ser sustituido sólo por técnicos autorizados.

¡Atención! La empresa fabricante declina toda responsabilidad en caso de que estas normas no sean respetadas.

Primer ciclo de lavado

Después de la instalación y antes del uso, realice un ciclo de lavado con detergente y sin ropa, seleccionando el programa 2.

Datos técnicos	
Modelo	IWC 71051
Dimensiones	ancho 59,5 cm altura 85 cm profundidad 51,7 cm
Capacidad	de 1 a 7 kg
Conexiones eléctricas	ver la placa de características técnicas aplicada en la máquina
Conexiones hídricas	presión máxima 1 MPa (10 bar) presión mínima 0,05 MPa (0,5 bar) capacidad del cesto 46 litros
Velocidad de centrifugado	máxima 1000 r.p.m.
Programas de control según las regulaciones 1061/2010 y 1015/2010	Programa 2: programa normal de algodón a 60°C. Programa 3: programa normal de algodón a 40°C.
 	Esta máquina cumple con lo establecido por las siguientes Directivas de la Comunidad: - EMC 2014/30/EU (Compatibilidad Electromagnética) - 2012/19/EU - (WEEE) - LVD 2014/35/EU (Baja Tensión)

Mantenimiento y cuidados

ES

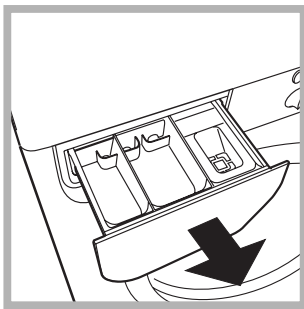
Interrumpir el agua y la corriente eléctrica

- Cierre el grifo de agua después de cada lavado. De este modo se limita el desgaste de la instalación hidráulica de la lavadora y se elimina el peligro de pérdidas.
- Desenchufe la máquina cuando la debe limpiar y durante los trabajos de mantenimiento.

Limpiar la lavadora

La parte externa y las partes de goma se pueden limpiar con un paño embebido en agua tibia y jabón. No use solventes ni productos abrasivos.

Limpiar el contenedor de detergentes



Extraiga el contenedor levantándolo y tirándolo hacia fuera (*ver la figura*).

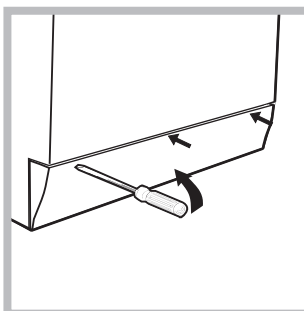
Lávalo debajo del agua corriente, esta limpieza se debe realizar frecuentemente.

Cuidar la puerta y el cesto

- Deje siempre semicerrada la puerta para evitar que se formen malos olores.

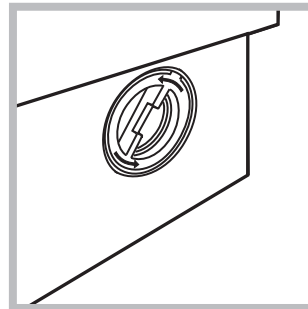
Limpiar la bomba

La lavadora posee una bomba autolimpiante que no necesita mantenimiento. Pero puede suceder que objetos pequeños (monedas, botones) caigan en la precámara que protege la bomba, situada en la parte inferior de la misma. **!** Verifique que el ciclo de lavado haya terminado y desenchufe la máquina.



Para acceder a la precámara:

1. quite el panel que cubre la parte delantera de la lavadora con la ayuda de un destornillador (*ver la figura*);



2. desenrosque la tapa girándola en sentido antihorario (*ver la figura*); es normal que se vuelque un poco de agua;

3. limpie con cuidado el interior;
4. vuelva a enroscar la tapa;
5. vuelva a montar el panel verificando, antes de empujarlo hacia la máquina, que los ganchos se hayan introducido en las correspondientes ranuras.

Controlar el tubo de alimentación de agua

Controle el tubo de alimentación al menos una vez al año. Si presenta grietas o rajaduras debe ser sustituido: durante los lavados, las fuertes presiones podrían provocar roturas imprevistas.

- !** No utilice nunca tubos ya usados.

! La lavadora fue proyectada y fabricada en conformidad con las normas internacionales de seguridad. Estas advertencias se suministran por razones de seguridad y deben ser leídas atentamente.

Seguridad general

- Este aparato ha sido fabricado para un uso de tipo doméstico exclusivamente.
- Este aparato puede ser utilizado por niños de 8 años o más y por personas con capacidades físicas, sensoriales o mentales disminuidas o con experiencia y conocimientos insuficientes siempre que sean supervisados o que hayan recibido una adecuada formación sobre el uso del aparato en forma segura y conozcan los peligros derivados del mismo. Los niños no deben jugar con el aparato. El mantenimiento y la limpieza no deben ser realizados por niños sin supervisión.
- La lavadora debe ser utilizada sólo por personas adultas y siguiendo las instrucciones contenidas en este manual.
- No toque la máquina con los pies desnudos ni con las manos o los pies mojados o húmedos.
- No desenchufe la máquina tirando el cable, sino tomando el enchufe.
- No abra el contenedor de detergentes mientras la máquina está en funcionamiento.
- No toque el agua de descarga porque puede alcanzar temperaturas elevadas.
- En ningún caso fuerce la puerta: podría dañarse el mecanismo de seguridad que la protege de aperturas accidentales.
- En caso de avería, no acceda nunca a los mecanismos internos para intentar una reparación.
- Controle siempre que los niños no se acerquen a la máquina cuando está en funcionamiento.
- Durante el lavado, la puerta tiende a calentarse.
- Si debe ser trasladada, deberán intervenir dos o más personas, procediendo con el máximo cuidado. La máquina no debe ser desplazada nunca por una sola persona ya que es muy pesada.
- Antes de introducir la ropa controle que el cesto esté vacío.

Eliminaciones

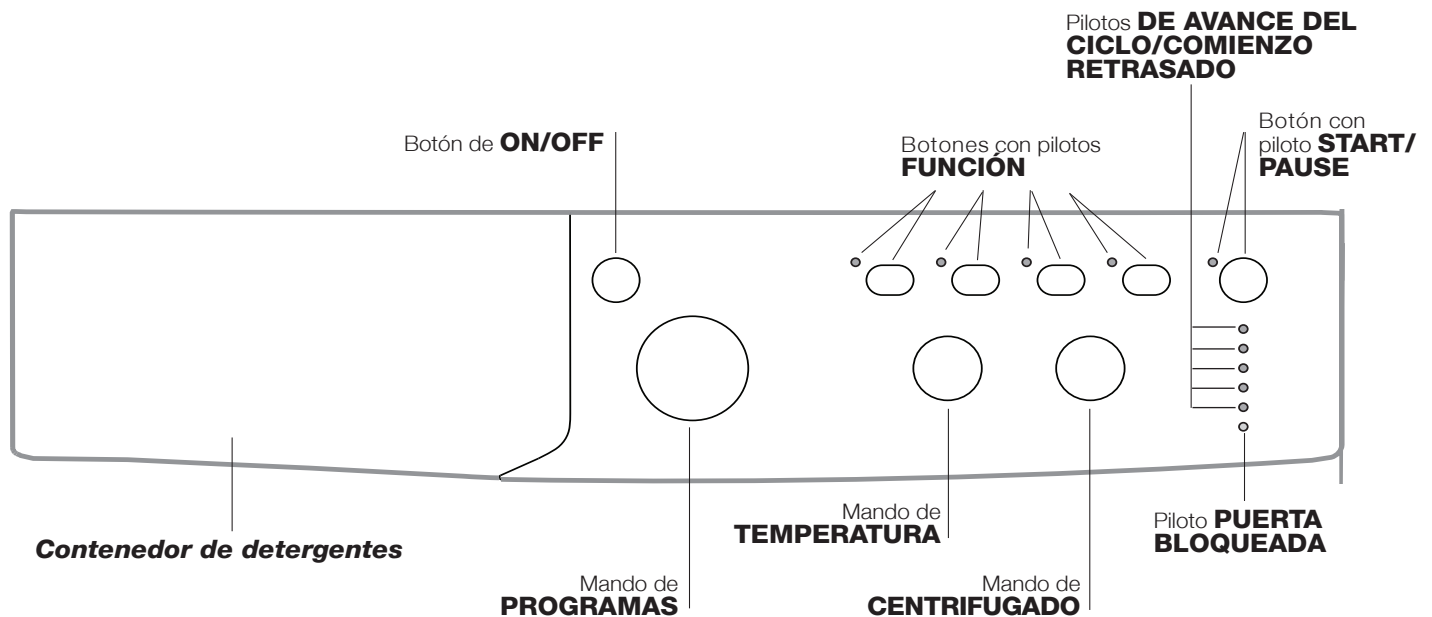
- Eliminación del material de embalaje: respete las normas locales, de ese modo, los embalajes podrán volver a ser utilizados.
- En base a la Norma europea 2012/19/EU (WEEE) de Residuos de aparatos Eléctricos y Electrónicos, los electrodomésticos viejos no pueden ser arrojados en los contenedores municipales habituales; tienen que ser recogidos selectivamente para optimizar la recuperación y reciclado de los componentes y materiales que los constituyen, y reducir el impacto en la salud humana y el medioambiente.

El símbolo del cubo de basura tachado se marca sobre todos los productos para recordar al consumidor la obligación de separarlos para la recogida selectiva.

El consumidor debe contactar con la autoridad local o con el vendedor para informarse en relación a la correcta eliminación de su electrodoméstico viejo.

Descripción de la lavadora y comienzo de un programa

Panel de control



Contenedor de detergentes: para cargar detergentes y aditivos (ver "Detergentes y ropa").

Botón de **ON/OFF:** para encender y apagar la lavadora.

Mando de **PROGRAMAS:** para elegir los programas. Durante el funcionamiento del programa el mando no se mueve.

Botones con pilotos de **FUNCIÓN:** para seleccionar las funciones disponibles. El piloto correspondiente a la función seleccionada permanecerá encendido.

Mando de **CENTRIFUGADO:** para seleccionar el centrifugado o excluirlo (ver "Personalizaciones").

Mando de **TEMPERATURA:** para seleccionar la temperatura o el lavado en frío (ver "Personalizaciones").


Pilotos **DE AVANCE DEL CICLO/COMIENZO RETRASADO:** para seguir el estado de avance del programa de lavado.

El piloto encendido indica la fase en curso.

Si se seleccionó la función "Comienzo retrasado", indicarán el tiempo que falta para la puesta en marcha del programa (ver la página correspondiente).

Piloto **PUERTA BLOQUEADA:** para saber si la puerta se puede abrir (ver la página correspondiente).

Botón con piloto **START/PAUSE:** se utiliza para poner en marcha los programas o interrumpirlos momentáneamente.

Nota: Presione este botón para poner en pausa el lavado en curso, el piloto correspondiente centelleará con color anaranjado mientras que el de la fase en curso permanecerá encendido en forma fija. Si el piloto PUERTA BLOQUEADA  está apagado, se podrá abrir la puerta (espere 3 minutos aproximadamente).

Para que el lavado se reanude a partir del momento en el cual fue interrumpido, presione nuevamente este botón.

Modalidad de stand by

Esta lavadora está en conformidad con las nuevas normativas vinculadas al ahorro energético. Está dotada de un sistema de auto-apagado (stand by) que, en caso de no funcionamiento, se activa pasados aproximadamente 30 minutos. Presionar brevemente el botón ON/OFF y esperar que la máquina se active.

Consumo en off-mode: 0,5 W

Consumo en Left-on: 8 W

Pilotos

Los pilotos suministran información importante. He aquí lo que nos dicen:

Comienzo retrasado

Si se ha activado la función "Comienzo retrasado" (ver "Personalizaciones"), después de haber puesto en marcha el programa, comenzará a centellear el piloto correspondiente al retraso seleccionado:



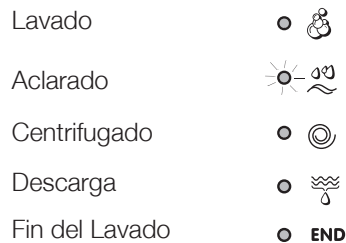
Con el transcurrir del tiempo se visualizará el retraso residual con el centelleo de la luz testigo correspondiente:



Una vez transcurrido el tiempo de retraso seleccionado, comenzará el programa.

Pilotos fase en curso

Una vez seleccionado y puesto en marcha el ciclo de lavado deseado, las luces testigo se encenderán progresivamente para indicar su estado de avance:




Botones de función y pilotos correspondientes

Seleccionando una función, el piloto correspondiente se iluminará. Si la función seleccionada no es compatible con el programa elegido, el piloto correspondiente centelleará y la función no se activará. Si la función elegida no es compatible con otra seleccionada precedentemente, el piloto correspondiente a la primera función seleccionada centelleará y se activará sólo la segunda, el piloto de la función activada se iluminará.

Piloto puerta bloqueada

El piloto encendido indica que la puerta está bloqueada impidiendo su apertura; para poder abrir la puerta es necesario que dicho piloto esté apagado (espere 3 minutos aproximadamente). Para abrir la puerta mientras un ciclo está en curso, presione el botón START/PAUSE; si el piloto PUERTA BLOQUEADA está apagado, será posible abrir la puerta.

Poner en marcha un programa

1. Encienda la lavadora presionando el botón ON/OFF. Todos los pilotos se encenderán durante algunos segundos, luego se apagarán y se deberá pulsar el piloto START/PAUSE.
2. Cargue la ropa y cierre la puerta.
3. Seleccione el programa deseado con el mando de PROGRAMAS.
4. Fije la temperatura de lavado (ver "Personalizaciones").
5. Fije la velocidad de centrifugado (ver "Personalizaciones").
6. Vierta detergente y aditivos (ver "Detergentes y ropa").
7. Seleccione las funciones deseadas.
8. Ponga en marcha el programa presionando el botón START/PAUSE y el piloto correspondiente permanecerá encendido, fijo y de color verde. Para anular el ciclo seleccionado ponga en pausa la máquina presionando el botón START/PAUSE y elija un nuevo ciclo.
9. Al final del programa se iluminará el piloto **END**. Cuando el piloto PUERTA BLOQUEADA  se apague, será posible abrir la puerta (espere 3 minutos aproximadamente). Extraiga la ropa y deje la puerta semicerrada para permitir que el cesto se seque. Apague la lavadora presionando el botón ON/OFF.

Programas

Tabla de programas

Programas	Descripción del Programa	Temp. max. (°C)	Velocidad máx. (r.p.m.)	Detergentes			Carga máx. (Kg.)	Humedad residual %	Consumo de energía kWh	Agua total lt	Duración del ciclo
				Prelavado	Lavado	Suavizante					
Diario (Daily)											
1	Algodón + Prelavado: blancos sumamente sucios.	90°	1000	●	●	●	7	62	1,90	68	155'
2	Programa normal de algodón a 60 °C (1): blancos y colores resistentes muy sucios.	60° (Max. 90°)	1000	-	●	●	7	62	1,19	52,5	205'
3	Programa normal de algodón a 40 °C (2): blancos y colores delicados poco sucios.	40°	1000	-	●	●	7	62	0,81	65	195'
4	Sintético: colores resistentes muy sucios.	60°	800	-	●	●	3	44	0,78	33	105'
4	Sintético (3): colores resistentes poco sucios.	40°	800	-	●	●	3	44	0,49	38	95'
5	Algodón de color: blancos poco sucios y colores delicados.	40°	1000	-	●	●	7	62	0,86	56	95'
20° Zone											
6	Programa normal de algodón a 20 °C: blancos y colores delicados poco sucios.	20°	1000	-	●	●	7	-	-	-	170'
7	Mix Light	20°	800	-	●	●	7	-	-	-	120'
8	20' Refresh	20°	800	-	●	●	1,5	-	-	-	20'
Programas Especiales (Special)											
9	Seda/Cortinas: para prendas de seda, viscosa, lencería.	30°	0	-	●	●	1	-	-	-	55'
10	Lana: para lana, cachemira, etc.	40°	800	-	●	●	1,5	-	-	-	70'
11	Jeans	40°	800	-	●	●	3	-	-	-	75'
Sport											
12	Sport Intensive	30°	600	-	●	●	3	-	-	-	85'
13	Sport Light	30°	600	-	●	●	3	-	-	-	60'
14	Special Shoes	30°	600	-	●	●	Max. 2 pares	-	-	-	55'
Programas Parciales											
	Aclarado	-	1000	-	-	●	7	-	-	-	36'
	Centrifugado + Descarga	-	1000	-	-	-	7	-	-	-	10'
	Sólo descarga *	-		-	-	-	7	-	-	-	3'

* Si se selecciona el programa y se excluye el centrifugado, la máquina efectúa sólo la descarga.

La duración del ciclo que se indica en el visor o en el manual es una estimación calculada en base a condiciones estándar. El tiempo efectivo puede variar en función de numerosos factores como la temperatura y la presión del agua de entrada, la temperatura ambiente, la cantidad de detergente, la cantidad y el tipo de carga, el equilibrio de la carga y las opciones adicionales seleccionadas.

1) Programa de control según la regulación 1061/2010: seleccione el programa 2 con una temperatura de 60°C.

Este ciclo es adecuado para limpiar una carga de algodón normalmente sucia, es el más eficiente en lo que se refiere al consumo combinado con la energía y la cantidad de agua y se usa con prendas lavables a 60°C. La temperatura efectiva de lavado puede diferir de la indicada.

2) Programa de control según la regulación 1061/2010: seleccione el programa 3 con una temperatura de 40°C.

Este ciclo es adecuado para limpiar una carga de algodón normalmente sucia, es el más eficiente en lo que se refiere al consumo combinado con la energía y la cantidad de agua y se usa con prendas lavables a 40°C. La temperatura efectiva de lavado puede diferir de la indicada.

Para todos los Test Institutes:

2) Programa algodón largo: seleccione el programa 3 con una temperatura de 40°C.

3) Programa sintético largo: seleccione el programa 4 con una temperatura de 40°C.

Sport Intensive (programa 12) ha sido estudiado para lavar tejidos usados en prendas deportivas (chándales, pantalones cortos, etc.) muy sucios; para obtener los mejores resultados es aconsejable no superar la carga máxima indicada en la "Tabla de programas".

Sport Light (programa 13) ha sido estudiado para lavar tejidos usados en prendas deportivas (chándales, pantalones cortos, etc.) poco sucios; para obtener los mejores resultados es aconsejable no superar la carga máxima indicada en la "Tabla de programas". Se recomienda utilizar detergente líquido y la dosis correspondiente a la media carga.

Special Shoes (programa 14) ha sido estudiado para lavar calzado deportivo; para obtener los mejores resultados no lave más de 2 pares a la vez.

Los programas 20° (20° Zone) ofrecen buenos rendimientos en los lavados a bajas temperaturas permitiendo un menor uso de energía eléctrica con un ahorro económico y un beneficio para el medio ambiente.

Los programas 20° responden a todas las exigencias:

Programa normal de algodón a 20 °C (programa 6) ideal para cargas de prendas de algodón sucias. Los buenos rendimientos aún en frío, comparables con los de un lavado a 40°, están garantizados por una acción mecánica que trabaja con variación de velocidad con picos repetidos y cercanos.

Mix Light (programa 7) ideal para cargas mixtas (algodón y sintéticos) de prendas medianamente sucias. Los buenos rendimientos de lavado aún en frío están garantizados por una acción mecánica que trabaja con variación de velocidad en intervalos medios y determinados.

20' Refresh (programa 8) ciclo ideal para refrescar y lavar prendas ligeramente sucias en pocos minutos. Dura sólo 20 minutos y de esa manera permite ahorrar tiempo y energía. Es posible lavar juntas telas de distintos tipos (excepto lana y seda) realizando una carga máxima de 1,5 kg.

Seleccionar la temperatura

Girando el mando de la TEMPERATURA se selecciona la temperatura de lavado (ver la *Tabla de programas*).

La temperatura se puede disminuir hasta el lavado en frío (❄).

La máquina impedirá automáticamente seleccionar una temperatura mayor que la máxima prevista para cada programa.

! Excepción: cuando se selecciona el programa 2, la temperatura se puede aumentar hasta 90°.

Seleccionar el centrifugado

Girando el mando de CENTRIFUGADO se selecciona la velocidad de centrifugado del programa seleccionado.

Las velocidades máximas previstas para los programas son:

Programas	Velocidad máxima
Algodón	1000 r.p.m.
Sintéticos	800 r.p.m.
Lana	800 r.p.m.

Se puede disminuir la velocidad de centrifugado o excluirlo seleccionando el símbolo (⊘).

La máquina impedirá automáticamente efectuar un centrifugado a una velocidad mayor que la máxima prevista para cada programa.

Funciones

Las distintas funciones de lavado previstas por la lavadora permiten obtener la limpieza y el blanco deseados.

Para activar las funciones:

1. presione el botón correspondiente a la función deseada;
2. el encendido del piloto correspondiente indica que la función está activa.

Nota:

- Si la función seleccionada no es compatible con el programa elegido, el piloto correspondiente centelleará y la función no se activará.
- Si la función elegida no es compatible con otra seleccionada precedentemente, el piloto correspondiente a la primera función seleccionada centelleará y se activará sólo la segunda, el piloto de la función activada se iluminará.

EcoTime

Seleccionando esta opción, se optimizan el movimiento mecánico, la temperatura y el agua para una carga reducida de prendas de algodón y sintéticas poco sucias (ver la *"Tabla de programas"*). Con "EcoTime" se puede lavar en un tiempo menor, ahorrando agua y energía. Se aconseja utilizar una dosis de detergente líquido adecuada a la cantidad de carga.

Energy Saver

La función Energy Saver contribuye al ahorro energético porque no calienta el agua utilizada para lavar la ropa, esto constituye una ventaja tanto para el ambiente como para la factura de electricidad. La mayor potencia y el consumo optimizado del agua, garantizan óptimos resultados para la misma duración promedio de un ciclo estándar.

Para obtener los mejores resultados de lavado, se aconseja el uso de un detergente líquido.

Aclarado extra

Al elegir esta función aumentará la eficacia del aclarado y se asegurará la máxima eliminación del detergente. Es útil para pieles particularmente sensibles.

Comienzo retrasado

Retrasa la puesta en marcha de la máquina hasta 12 horas.

Presione varias veces el botón hasta hacer encender la luz testigo correspondiente al retraso deseado. La quinta vez que se presione el botón, la función se desactivará.

Nota: Una vez presionado el botón START/PAUSE, se puede modificar el valor del retraso sólo disminuyéndolo hasta que se ponga en marcha el programa seleccionado.

Detergentes y ropa

ES

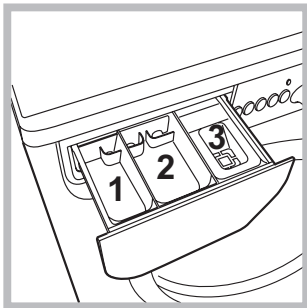
Contenedor de detergentes

El buen resultado del lavado depende también de la correcta dosificación del detergente: si se excede la cantidad, no se lava de manera más eficaz, sino que se contribuye a encostrar las partes internas de la lavadora y a contaminar el medio ambiente.

! No use detergentes para el lavado a mano porque producen demasiada espuma.

! Utilice detergentes en polvo para prendas de algodón blancas, para el prelavado y para lavados con una temperatura mayor que 60°C.

! Respete las indicaciones que se encuentran en el envase de detergente.



Extraiga el contenedor de detergentes e introduzca el detergente o el aditivo de la siguiente manera:

cubeta 1: Detergente para prelavado (en polvo)

cubeta 2: Detergente para lavado (en polvo o líquido)

El detergente líquido se debe verter sólo antes de la puesta en marcha.

cubeta 3: Aditivos (suavizante, etc.)

El suavizante no se debe volcar fuera de la rejilla.

Preparar la ropa

- Subdivida la ropa según:
 - el tipo de tejido / el símbolo en la etiqueta.
 - los colores: separe las prendas de color y las blancas.
- Vacíe los bolsillos y controle los botones.
- No supere los valores indicados en la "Tabla de Programas" referidos al peso de la ropa seca.

¿Cuánto pesa la ropa?

- 1 sábana 400/500 g
- 1 funda 150/200 g
- 1 mantel 400/500 g
- 1 albornoz 900/1200 g
- 1 toalla 150/250 g

Prendas especiales

Seda: utilice el programa correspondiente **9** para lavar todas las prendas de seda. Se aconseja el uso de un detergente específico para prendas delicadas.

Cortinas: pliéguelas y colóquelas dentro de una funda o de una bolsa de red. Utilice el programa **9**.

Lana: con el programa **10** es posible lavar en la lavadora todas las prendas de lana, aún las que contienen la etiqueta "sólo lavado a mano" Para obtener los mejores resultados utilice un detergente específico y no supere 1,5 Kg. de ropa.

Jeans: vuelva del revés las prendas antes del lavado y utilice un detergente líquido. Utilice el programa **11**.

Sistema de equilibrado de la carga

Antes de cada centrifugado, para evitar vibraciones excesivas y para distribuir la carga de modo uniforme, el cesto realiza rotaciones a una velocidad ligeramente superior a la del lavado. Si después de varios intentos, la carga todavía no está correctamente equilibrada, la máquina realiza el centrifugado a una velocidad inferior a la prevista. Cuando existe un excesivo desequilibrio, la lavadora realiza la distribución antes que el centrifugado. Para obtener una mejor distribución de la carga y su correcto equilibrado, se aconseja mezclar prendas grandes y pequeñas.

Puede suceder que la lavadora no funcione. Antes de llamar al Servicio de Asistencia Técnica (ver "Asistencia"), controle que no se trate de un problema de fácil solución utilizando la siguiente lista.

Anomalías:

Posibles causas / Solución:

La lavadora no se enciende.

- El enchufe no está introducido en la toma de corriente, o no hace contacto.
- En la casa no hay corriente.

El ciclo de lavado no comienza.

- La puerta no está correctamente cerrada.
- El botón ON/OFF no ha sido presionado.
- El botón START/PAUSE no ha sido presionado.
- El grifo de agua no está abierto.
- Se fijó un retraso de la hora de puesta en marcha (ver "Personalizaciones").

La lavadora no carga agua (centellea rápidamente el piloto de la primera fase de lavado).

- El tubo de alimentación de agua no está conectado al grifo.
- El tubo está plegado.
- El grifo de agua no está abierto.
- En la casa no hay agua.
- No hay suficiente presión.
- El botón START/PAUSE no ha sido presionado.

La lavadora carga y descarga agua continuamente.

- El tubo de descarga no está instalado entre los 65 y 100 cm. del suelo (ver "Instalación").
- El extremo del tubo de descarga está sumergido en el agua (ver "Instalación").
- La descarga de pared no posee un respiradero.

Si después de estas verificaciones, el problema no se resuelve, cierre el grifo de agua, apague la lavadora y llame a la Asistencia. Si la vivienda se encuentra en uno de los últimos pisos de un edificio, es posible que se verifiquen fenómenos de sifonaje, por ello la lavadora carga y descarga agua de modo continuo. Para eliminar este inconveniente se encuentran disponibles en el comercio válvulas especiales que permiten evitar el sifonaje.

La lavadora no descarga o no centrifuga.

- El programa no prevé la descarga: con algunos programas es necesario ponerla en marcha manualmente.
- El tubo de descarga está plegado (ver "Instalación").
- El conducto de descarga está obstruido.

La lavadora vibra mucho durante la centrifugación.

- El cesto, en el momento de la instalación, no fue desbloqueado correctamente (ver "Instalación").
- La máquina no está instalada en un lugar plano (ver "Instalación").
- Existe muy poco espacio entre la máquina, los muebles y la pared (ver "Instalación").

La lavadora pierde agua.

- El tubo de alimentación de agua no está bien enroscado (ver "Instalación").
- El contenedor de detergentes está obstruido (para limpiarlo ver "Mantenimiento y cuidados").
- El tubo de descarga no está bien fijado (ver "Instalación").

Los pilotos de las "Funciones" y el piloto de "START/PAUSE" parpadean y uno de los pilotos de la "fase en curso" y de "puerta bloqueada" quedan encendidos con la luz fija.

- Apague la máquina y desenchúfela, espere aproximadamente 1 minuto y luego vuelva a encenderla.
Si la anomalía persiste, llame al Servicio de Asistencia Técnica.

Se forma demasiada espuma.

- El detergente no es específico para la lavadora (debe contener algunas de las frases "para lavadora", "a mano o en lavadora" o similares).
- La dosificación fue excesiva.

Asistencia

ES

Antes de llamar al Servicio de Asistencia Técnica:

- Verifique si la anomalía la puede resolver Ud. solo (ver "Anomalías y soluciones");
- Vuelva a poner en marcha el programa para controlar si el inconveniente fue resuelto;
- Si no es así, llame al Servicio de Asistencia técnica autorizado, al número de teléfono indicado en el certificado de garantía.

! No recurra nunca a técnicos no autorizados.

Comuniqué:

- el tipo de anomalía;
- el modelo de la máquina (Mod.);
- el número de serie (S/N).

Esta información se encuentra en la placa aplicada en la parte posterior de la lavadora y en la parte delantera abriendo la puerta.

La siguiente información es válida solo para España. Para otros países de habla hispana consulte a su vendedor.

Ampliación de garantía

Llame al **902.363.539** y le informaremos sobre el fantástico plan de ampliación de garantía hasta 5 años.

Consiga una cobertura total adicional de

- Piezas y componentes
- Mano de obra de los técnicos
- Desplazamiento a su domicilio de los técnicos

Y NO PAGUE AVERIAS NUNCA MAS

Servicio de asistencia técnica (SAT)

Llame al **902.133.133** y nuestros técnicos intervendrán con rapidez y eficacia, devolviendo el electrodoméstico a sus condiciones óptimas de funcionamiento. En el SAT encontrará recambios, accesorios y productos específicos para la limpieza y mantenimiento de su electrodoméstico a precios competitivos. ESTAMOS A SU SERVICIO

GR

Ελληνικά

IWC 71051

Περιεχόμενα

Εγκατάσταση, 50-51

Αποσυσκευασία και οριζόντιωση
Υδραυλικές και ηλεκτρικές συνδέσεις
Πρώτος κύκλος πλυσίματος
Τεχνικά στοιχεία

Συντήρηση και φροντίδα, 52

Αποκλεισμός νερού και ηλεκτρικού ρεύματος
Καθαρισμός του πλυντηρίου
Καθαρισμός του συρταριού απορρυπαντικών
Φροντίδα της πόρτας και του κάδου
Καθαρισμός της αντλίας
Έλεγχος του σωλήνα τροφοδοσίας του νερού

Προφυλάξεις και συμβουλές, 53

Γενική ασφάλεια
Διάθεση

Περιγραφή του πλυντηρίου και εκκίνηση ενός προγράμματος, 54-55

Πίνακας ελέγχου
Ενδεικτικά φωτάκια
Εκκίνηση ενός προγράμματος

Προγράμματα, 56

Πίνακας των Προγραμμάτων

Εξατομικεύσεις, 57

Θέστε τη θερμοκρασία
Θέστε το στύψιμο
Λειτουργίες

Απορρυπαντικά και μπουγάδα, 58

Θήκη απορρυπαντικών
Προετοιμασία της μπουγάδας
Ειδικά ρούχα
Σύστημα ισοστάθμισης του φορτίου

Ανωμαλίες και λύσεις, 59

Υποστήριξη, 60

Εγκατάσταση

GR

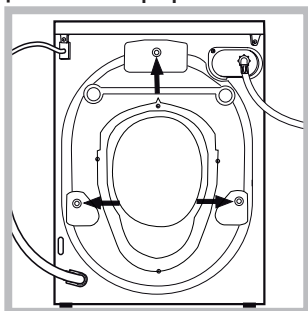
! Είναι σημαντικό να διατηρήσετε το εγχειρίδιο αυτό για να μπορείτε να το συμβουλευέστε οποιαδήποτε στιγμή. Σε περίπτωση πώλησης, παραχώρησης ή μετακόμισης, βεβαιωθείτε ότι παραμένει μαζί με το πλυντήριο για να πληροφορεί τον νέο ιδιοκτήτη για τη λειτουργία και τις σχετικές προειδοποιήσεις.

! Διαβάστε προσεκτικά τις οδηγίες: υπάρχουν σημαντικές πληροφορίες για την εγκατάσταση, τη χρήση και την ασφάλεια.

Αποσυσκευασία και οριζόντιωση

Αποσυσκευασία

1. Αποσυσκευάστε το πλυντήριο.
2. Ελέγξτε αν το πλυντήριο έχει υποστεί ζημιές κατά τη μεταφορά. Αν έχει υποστεί ζημιές μην το συνδέετε και επικοινωνήστε με τον μεταπωλητή.

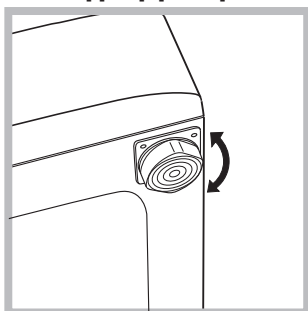


3. Αφαιρέστε τις 3 βίδες προστασίας για τη μεταφορά και το λαστιχάκι με το σχετικό διαχωριστικό, που βρίσκονται στο πίσω μέρος (βλέπε εικόνα).

4. Κλείστε τις οπές με τα πλαστικά πώματα που σας παρέχονται.
5. Διατηρείστε και τα τρία τεμάχια: αν το πλυντήριο χρειαστεί να μεταφερθεί, θα πρέπει να ξαναμονταριστούν.

! Οι συσκευασίες δεν είναι παιχνίδια για μικρά παιδιά.

Ευθυγράμμιση



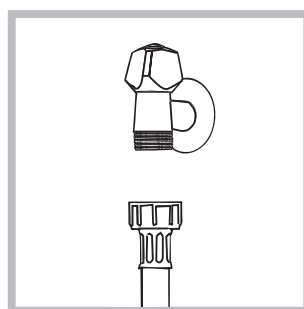
1. Εγκαταστήστε το πλυντήριο σε ένα δάπεδο επίπεδο και ανθεκτικό, χωρίς να το ακουμπήσετε σε τοίχους, έπιπλα ή άλλο.
2. Αν το δάπεδο δεν είναι απόλυτα οριζοντιωμένο, αντισταθμίστε τις ανωμαλίες

βιδώνοντας ή ξεβιδώνοντας τα πρόσθια ποδαράκια (βλέπε εικόνα). Η γωνία κλίσης, μετρημένη στην επιφάνεια εργασίας, δεν πρέπει να ξεπερνάει τις 2°.

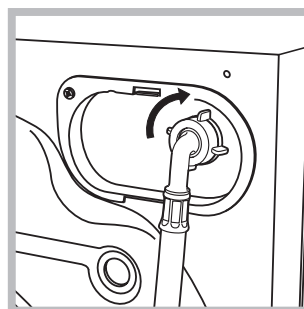
Μια φροντισμένη οριζόντιωση προσδίδει σταθερότητα στη μηχανή και αποσοβεί δονήσεις, θορύβους και μετατοπίσεις κατά τη λειτουργία. Σε περίπτωση μοκέτας ή τάπητα, ρυθμίστε τα ποδαράκια έτσι ώστε να υφίσταται κάτω από το πλυντήριο αρκετός χώρος για τον αερισμό.

Υδραυλικές και ηλεκτρικές συνδέσεις

Σύνδεση του σωλήνα τροφοδοσίας του νερού



1. Συνδέστε το σωλήνα τροφοδοσίας βιδώνοντάς τον σε ένα κρουνοί κρύου νερού με στόμιο σπειρώματος 3/4 (βλέπε εικόνα). Πριν τη σύνδεση, αφήστε να τρέξει το νερό μέχρι να γίνει διαυγές.



2. Συνδέστε το σωλήνα τροφοδοσίας στο πλυντήριο βιδώνοντάς τον στην αντίστοιχη είσοδο νερού, στο πίσω μέρος επάνω δεξιά (βλέπε εικόνα).

3. Προσέξτε ώστε στο σωλήνα να μην υπάρχουν ούτε πτυχώσεις, ούτε στενώσεις.

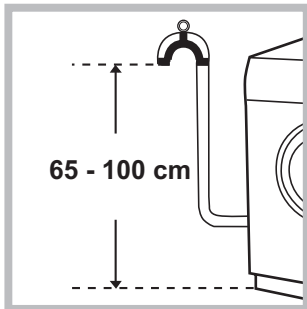
! Η πίεση νερού του κρουνοί πρέπει να κυμαίνεται μεταξύ των τιμών του πίνακα Τεχνικά στοιχεία (βλέπε σελίδα δίπλα).

! Αν το μήκος του σωλήνα τροφοδοσίας δεν επαρκεί, απευθυνθείτε σε ένα ειδικευμένο κατάστημα ή σε ένα εξουσιοδοτημένο τεχνικό.

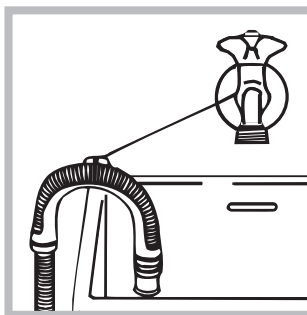
! Μη χρησιμοποιείτε ποτέ χρησιμοποιημένους σωλήνες.

! Χρησιμοποιείτε εκείνους που σας παρέχονται με τη μηχανή.

Σύνδεση του σωλήνα αδειάσματος



Συνδέστε αδειάσματος, χωρίς να τον διπλώσετε, σε έναν αγωγό εκκένωσης ή σε μια επιτοίχια αποχέτευση σε απόσταση από 65 έως 100 cm από το έδαφος.



Εναλλακτικά, στηρίξτε τον σωλήνα αδειάσματος στο χείλος ενός νιπτήρα ή μιας λεκάνης, δένοντας τον οδηγό (διατίθεται από την υπηρεσία τεχνικής υποστήριξης) στη βρύση (βλέπε εικόνα).

Το ελεύθερο άκρο του

σωλήνα αδειάσματος δεν πρέπει να παραμένει βυθισμένο στο νερό.

! Δεν συνιστάται η χρήση προεκτάσεων σωλήνων. Αν απαιτείται, η προέκταση πρέπει να έχει την ίδια διάμετρο του αρχικού σωλήνα και να μην ξεπερνάει τα 150 cm.

Ηλεκτρική σύνδεση

Πριν εισάγετε το βύσμα στην ηλεκτρική πρίζα, βεβαιωθείτε ότι:

- η πρίζα διαθέτει γείωση και τηρεί τις εκ του νόμου προδιαγραφές.
- Η πρίζα να είναι σε θέση να υποφέρει το μέγιστο φορτίο ισχύος της μηχανής, που αναφέρεται στον πίνακα Τεχνικών στοιχείων (βλέπε δίπλα).
- Η τάση τροφοδοσίας να κυμαίνεται μεταξύ των τιμών που αναφέρονται στον πίνακα Τεχνικών στοιχείων (βλέπε δίπλα).
- Η πρίζα να είναι συμβατή με το βύσμα του πλυντηρίου. Σε αντίθετη περίπτωση, αντικαταστήστε την πρίζα ή το βύσμα.

! Το πλυντήριο δεν εγκαθίσταται σε ανοιχτό χώρο, ακόμη και αν ο χώρος είναι καλυμμένος, διότι είναι πολύ επικίνδυνο να το αφήνετε εκτεθειμένο σε βροχή και κακοκαιρία.

! Με την εγκατάσταση του πλυντηρίου, η πρίζα ρεύματος πρέπει να είναι εύκολα προσβάσιμη.

! Μη χρησιμοποιείτε προεκτάσεις και πολύπριζα.



! Το καλώδιο δεν πρέπει να φέρει πτυχές ή να είναι συμπιεσμένο.

! Το καλώδιο τροφοδοσίας πρέπει να αντικαθίσταται μόνο από εξουσιοδοτημένους τεχνικούς.

Προσοχή! Η επιχείρηση αποποιείται κάθε ευθύνης σε περίπτωση που δεν τηρούνται αυτοί οι κανόνες.

Πρώτος κύκλος πλυσίματος

Μετά την εγκατάσταση, πριν τη χρήση, διενεργήστε ένα κύκλο πλυσίματος με απορρυπαντικό και χωρίς ρούχα θέτοντας το πρόγραμμα 2.

Τεχνικά στοιχεία	
Μοντέλο	IWC 71051
Διαστάσεις	πλάτος cm 59,5 ύψος cm 85 βάθος cm 51,7
Χωρητικότητα	από 1 έως 7 kg
Ηλεκτρικές συνδέσεις	Βλέπε την πινακίδα χαρακτηριστικών επί της μηχανής
Συνδέσεις νερού	μέγιστη πίεση 1 MPa (10 bar) Ελάχιστη πίεση 0,05 MPa (0,5 bar) χωρητικότητα του κάδου 46 λίτρα
Ταχύτητα στυψίματος	μέχρι 1000 στροφές το λεπτό
Προγράμματα ελέγχου σύμφωνα με τις ρυθμίσεις 1061/2010 και 1015/2010	πρόγραμμα 2; κανονικό πρόγραμμα για βαμβακερά στους 60 °C. πρόγραμμα 3; κανονικό πρόγραμμα για βαμβακερά στους 40 °C.
 	Η συσκευή αυτή είναι σύμφωνη με τις ακόλουθες Κοινοτικές Οδηγίες: - EMC 2014/30/EU (Ηλεκτρομαγνητική Συμβατότητα) - 2012/19/EU - (WEEE) - LVD 2014/35/EU (Χαμηλή Τάση)

Συντήρηση και φροντίδα

GR

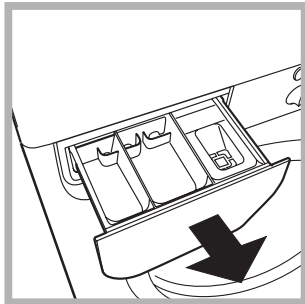
Αποκλεισμός νερού και ηλεκτρικού ρεύματος

- Κλείνετε τον κρουνό του νερού μετά από κάθε πλύσιμο. Έτσι περιορίζεται η φθορά της υδραυλικής εγκατάστασης του πλυντηρίου και αποσοβείται ο κίνδυνος απωλειών.
- Να βγάξετε το βύσμα από το ρεύμα όταν καθαρίζετε το μηχάνημα και κατά τις εργασίες συντήρησης.

Καθαρισμός του πλυντηρίου

Το εξωτερικό μέρος και τα λαστιχένια μέρη μπορούν να καθαρίζονται με ένα πανί βρεγμένο με χλιαρό νερό και σαπούνι. Μη χρησιμοποιείτε διαλύτες ή αποξυστικά.

Καθαρισμός του συρταριού απορρυπαντικών



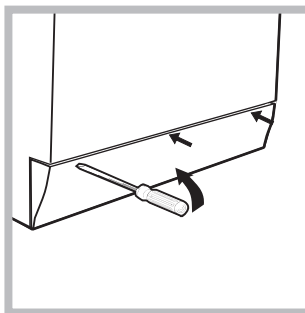
Τραβήξτε το συρτάρι ανασηκώνοντάς το και τραβώντας το προς τα έξω (βλέπε εικόνα). Πλένετέ το κάτω από τρεχούμενο νερό. Ο καθαρισμός αυτός διενεργείται συχνά.

Φροντίδα της πόρτας και του κάδου

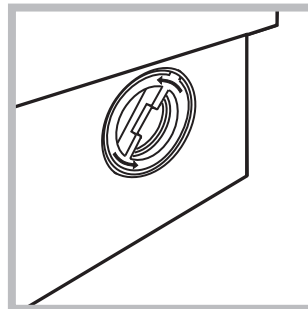
- Να αφήνετε πάντα μισόκλειστη την πόρτα για να μην παράγονται δυσοσμίες.

Καθαρισμός της αντλίας

Το πλυντήριο διαθέτει μια αντλία αυτοκαθαριζόμενη που δεν χρειάζεται συντήρηση. Μπορεί, όμως, να τύχει να πέσουν μικρά αντικείμενα (κέρματα, κουμπιά) στον προθάλαμο που προστατεύει την αντλία, που βρίσκεται στο κάτω μέρος αυτής. ! Βεβαιωθείτε ότι ο κύκλος πλυσίματος έχει τελειώσει και βγάλτε το βύσμα.



Για να έχετε πρόσβαση στον προθάλαμο:
1. αφαιρέστε το ταμπλό κάλυψης στο πρόσθιο πλευρό του πλυντηρίου με τη βοήθεια ενός κατσαβιδιού (βλέπε εικόνα).



2. Ξεβιδώστε το καπάκι στρέφοντάς το αριστερόστροφα (βλέπε εικόνα): είναι φυσικό να βγαίνει λίγο νερό.

3. καθαρίστε επιμελώς το εσωτερικό.
4. ξαναβιδώστε το καπάκι.
5. ξαναμοντάρετε το πάνελ όντας σίγουροι, πριν το σπρώξετε προς τη μηχανή, ότι έχετε εισάγει τα γαντζάκια στις αντίστοιχες εσοχές.

Έλεγχος του σωλήνα τροφοδοσίας του νερού

Ελέγχετε το σωλήνα τροφοδοσίας τουλάχιστον μια φορά ετησίως. Αν παρουσιάζει σκασίματα και σχισμές αντικαθίσταται: κατά τα πλυσίματα οι ισχυρές πιέσεις θα μπορούσαν να προκαλέσουν αναπάντεχα σπασίματα.

! Μη χρησιμοποιείτε ποτέ χρησιμοποιημένους σωλήνες.

! Το πλυντήριο σχεδιάστηκε και κατασκευάστηκε σύμφωνα με τους διεθνείς κανόνες ασφαλείας. Αυτές οι προειδοποιήσεις παρέχονται για λόγους ασφαλείας και πρέπει να διαβάζονται προσεκτικά.

Γενική ασφάλεια

- Η συσκευή αυτή σχεδιάστηκε αποκλειστικά για οικιακή χρήση.
- Η συσκευή αυτή μπορεί να χρησιμοποιηθεί από παιδιά άνω των 8 ετών και από άτομα με μειωμένες φυσικές, αισθητηριακές ή νοητικές ικανότητες ή με εμπειρία και γνώσεις ανεπαρκείς, αν επιτηρούνται ή αν έχουν δεχτεί κατάλληλη εκπαίδευση σχετικά με τη χρήση της συσκευής με τρόπο ασφαλή και κατανοώντας τους σχετικούς κινδύνους. Τα παιδιά δεν πρέπει να παίζουν με τη συσκευή. Συντήρηση και καθαρισμός δεν πρέπει να διενεργούνται από παιδιά χωρίς επιτήρηση.
- Μην αγγίζετε το μηχάνημα με γυμνά πόδια ή με τα χέρια ή τα πόδια βρεγμένα.
- Μην βγάζετε το βύσμα από την ηλεκτρική πρίζα τραβώντας το καλώδιο, αλλά να πιάνετε την πρίζα.
- Μην ανοίγετε το συρτάκι απορρυπαντικών ενώ το μηχάνημα είναι σε λειτουργία.
- Μην αγγίζετε το νερό αδειάσματος, αφού μπορεί να φτάσει σε υψηλές θερμοκρασίες.
- Μην ζορίζετε σε καμία περίπτωση την πόρτα: θα μπορούσε να χαλάσει ο μηχανισμός ασφαλείας που προστατεύει από τυχαία ανοίγματα.
- Σε περίπτωση βλάβης, σε καμία περίπτωση να μην επεμβαίνετε στους εσωτερικούς μηχανισμούς προσπαθώντας να την επισκευάσετε.
- Να ελέγχετε πάντα τα παιδιά να μην πλησιάζουν στο μηχάνημα σε λειτουργία.
- Κατά το πλύσιμο η πόρτα τείνει να θερμαίνεται.
- Αν πρέπει να μετατοπιστεί, συνεργαστείτε δύο ή τρία άτομα με τη μέγιστη προσοχή. Ποτέ μόνοι σας γιατί το μηχάνημα είναι πολύ βαρύ.
- Πριν εισάγετε τη μπουγάδα ελέγξτε αν ο κάδος είναι άδειος.

Διάθεση

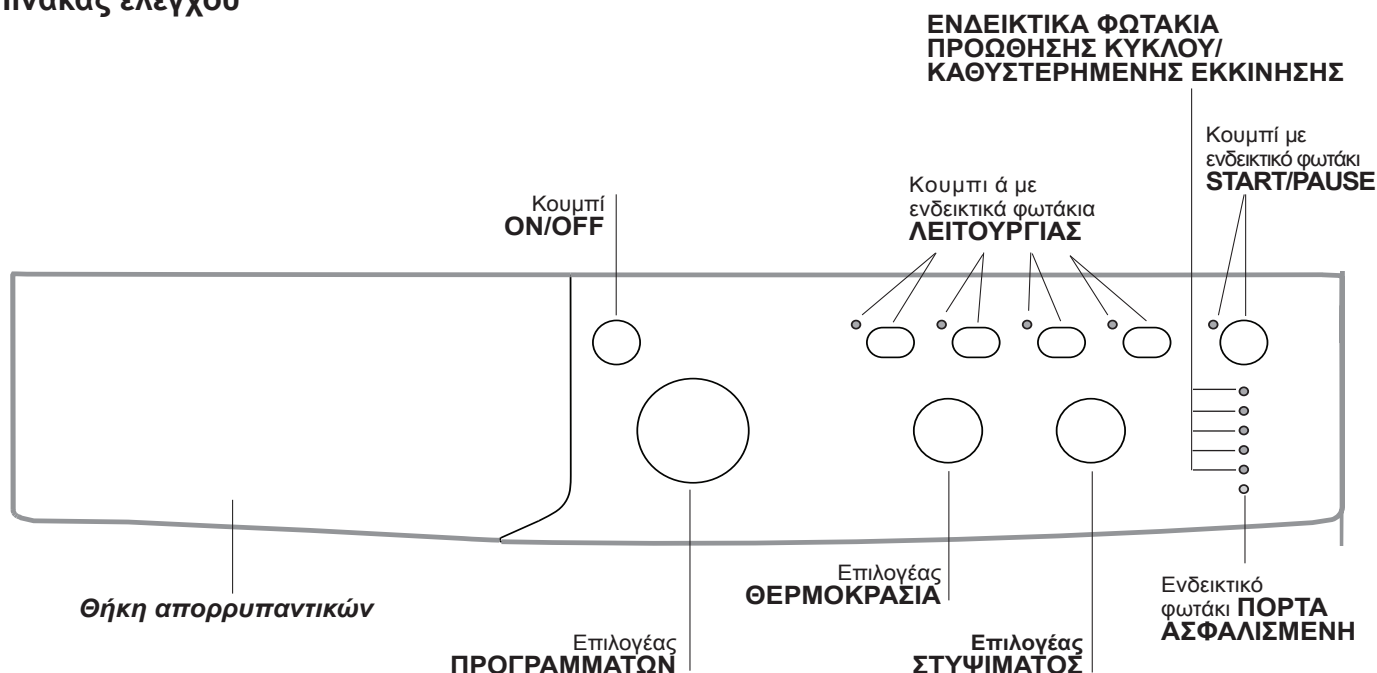
- Διάθεση του υλικού συσκευασίας: τηρείτε τους τοπικούς κανονισμούς, ώστε οι συσκευασίες να μπορούν να επαναχρησιμοποιηθούν.
- Η ευρωπαϊκή οδηγία 2012/19/EU (WEEE) για τα Απόβλητα Ηλεκτρικού και Ηλεκτρονικού Εξοπλισμού, απαιτεί ότι οι παλαιές οικιακές ηλεκτρικές συσκευές δεν πρέπει να αποβάλλονται μαζί με τα υπόλοιπα απόβλητα του δημοτικού δικτύου. Οι παλαιές συσκευές πρέπει να συλλεχθούν χωριστά προκειμένου να βελτιστοποιηθούν η αποκατάσταση και η ανακύκλωση των υλικών που περιέχουν και με σκοπό τη μείωση

των βλαβερών επιπτώσεων στην ανθρώπινη υγεία και το περιβάλλον. Το σύμβολο με το διεγγραμμένο “δοχείο αποβλήτων” στο προϊόν υπενθυμίζει σε σας την υποχρέωσή σας, πως όταν επιθυμείτε να πετάξετε τη συσκευή, πρέπει να συλλεχθεί χωριστά. Οι καταναλωτές θα πρέπει να απευθύνονται στις τοπικές αρχές ή στα καταστήματα λιανικής για πληροφορίες που αφορούν τη σωστή διάθεση των παλαιών ηλεκτρικών συσκευών.

Περιγραφή του πλυντηρίου και εκκίνηση ενός προγράμματος

Πίνακας ελέγχου

GR



Θήκη απορρυπαντικών: για την προσθήκη απορρυπαντικών και πρόσθετων (βλέπε «Απορρυπαντικά και μπουγάδα»).

Κουμπί ON/OFF: Για να ανάψετε ή να σβήσετε το πλυντήριο.

Επιλογέας ΠΡΟΓΡΑΜΜΑΤΩΝ: για να θέσετε τα προγράμματα. Κατά τη διάρκεια του προγράμματος ο επιλογέας παραμένει ακίνητος.

Κουμπι ά με ενδεικτικά φωτάκια ΛΕΙΤΟΥΡΓΙΑΣ: για να επιλέξετε τις διαθέσιμες λειτουργίες. Το σχετικό με την επιλεγείσα λειτουργία ενδεικτικό φωτάκι θα παραμείνει αναμμένο.


Επιλογέας ΣΤΥΨΙΜΑΤΟΣ: για να θέσετε το στύψιμο ή να το αποκλείσετε (βλέπε «Εξατομικεύσεις»).

Επιλογέας ΘΕΡΜΟΚΡΑΣΙΑ: για να θέσετε τη θερμοκρασία ή το πλύσιμο σε κρύο νερό (βλέπε «Εξατομικεύσεις»).

ΕΝΔΕΙΚΤΙΚΑ ΦΩΤΑΚΙΑ ΠΡΟΩΘΗΣΗΣ ΚΥΚΛΟΥ/ ΚΑΘΥΣΤΕΡΗΜΕΝΗΣ ΕΚΚΙΝΗΣΗΣ: για να ακολουθείτε την κατάσταση προόδου του προγράμματος πλύσιματος. Το αναμμένο ενδεικτικό φωτάκι δείχνει την σε εξέλιξη φάση. Αν τέθηκε η λειτουργία «Καθυστερημένη εκκίνηση», θα δείχνουν τον χρόνο που υπολείπεται για την έναρξη του προγράμματος (βλέπε σελίδα δίπλα).

Ενδεικτικό φωτάκι ΠΟΡΤΑ ΑΣΦΑΛΙΣΜΕΝΗ: για να καταλάβετε αν η πόρτα ανοίγει (βλέπε σελίδα δίπλα).

Κουμπι με ενδεικτικό φωτάκι START/PAUSE: για την εκκίνηση των προγραμμάτων ή την προσωρινή διακοπή τους.

ΣΗΜΕΙΩΣΗ: για να θέσετε σε παύση το σε εξέλιξη πλύσιμο, πιάστε το κουμπι αυτό, το σχετικό ενδεικτικό φωτάκι θα ανάψει με πορτοκαλί χρώμα ενώ εκείνο της σε εξέλιξης φάσης θα είναι συνεχώς αναμμένο. Αν το ενδεικτικό φωτάκι ΠΟΡΤΑ ΑΣΦΑΛΙΣΜΕΝΗ  σβήσει, μπορείτε να ανοίξετε την πόρτα (περιμένετε 3 λεπτά περίπου).

Για να ξεκινήσει πάλι το πλύσιμο από το σημείο διακοπής, πατήστε εκ νέου το κουμπι αυτό.

Τρόπος stand by

Το πλυντήριο αυτό, σύμφωνα με τις νέες διατάξεις για την εξοικονόμηση ενέργειας, διαθέτει ένα σύστημα αυτόματου σβησίματος (stand by) που τίθεται σε λειτουργία εντός 30 λεπτών στην περίπτωση μη χρήσης. Πιάστε στιγμιαία το κουμπι ON/OFF και περιμένετε να ενεργοποιηθεί εκ νέου η μηχανή.
Κατανάλωση σε off-mode: 0,5 W
Κατανάλωση σε Left-on: 8 W

Ενδεικτικά φωτάκια

Τα ενδεικτικά φωτάκια παρέχουν σημαντικές πληροφορίες.

Να τι μας λένε:

Καθυστερημένη εκκίνηση

Αν ενεργοποιήθηκε η λειτουργία “Καθυστερημένη εκκίνηση” (βλέπε “Εξατομικεύσεις”), αφού εκκινήσετε το πρόγραμμα, θα αρχίσει να αναβοσβήνει το ενδεικτικό φωτάκι το σχετικό με την επιλεγμένη καθυστέρηση:

3h 

6h 

9h 

12h 

Με το πέρασμα του χρόνου θα απεικονίζεται η υπολειπόμενη καθυστέρηση, με το σχετικό ενδεικτικό φωτάκι να αναβοσβήνει.

3h 

6h 

9h 

12h 

Αφού ολοκληρωθεί η προεπιλεγμένη χρονοκαθυστέρηση θα αρχίσει το επιλεγμένο πρόγραμμα.

Ενδεικτικά φωτάκια φάσης σε εξέλιξη

Κατά τον επιθυμητό κύκλο πλυσίματος, τα ενδεικτικά φωτάκια θα ανάψουν προοδευτικά για να δείξουν την κατάσταση προώθησης:

Πλύσιμο 

Ξέβγαλμα 

Στύψιμο 

Άδειασμα 

Τέλος Πλυσίματος 

Κουμπιά λειτουργίας και σχετικά ενδεικτικά φωτάκια

Επιλέγοντας μια λειτουργία το σχετικό ενδεικτικό φωτάκι θα φωτιστεί.


Αν η επιλεγμένη λειτουργία δεν είναι συμβατή με το τεθέν πρόγραμμα το σχετικό ενδεικτικό φωτάκι θα αναβοσβήνει και η λειτουργία δεν θα ενεργοποιηθεί.

Αν η επιλεγμένη λειτουργία δεν είναι συμβατή με μια άλλη που επελέγη προηγουμένως, το σχετικό φωτάκι της πρώτης επιλεγμένης λειτουργίας θα αναβοσβήνει και θα ενεργοποιηθεί μόνο η δεύτερη, το ενδεικτικό φωτάκι της ενεργοποιηθείσας λειτουργίας θα φωτιστεί.

Ενδεικτικό φωτάκι ασφαλισμένης πόρτας

Το αναμμένο ενδεικτικό φωτάκι δείχνει ότι η πόρτα είναι μπλοκαρισμένη για να αποφευχθεί το άνοιγμα. Για να ανοίξετε την πόρτα πρέπει το ενδεικτικό φωτάκι να είναι σβηστό (περιμένετε 3 λεπτά περίπου). Για να ανοίξετε την πόρτα ενώ είναι σε εξέλιξη ένας κύκλος πιάστε το κουμπί START/PAUSE. Αν το ενδεικτικό φωτάκι ΠΟΡΤΑΑΣΦΑΛΙΣΜΕΝΗ είναι σβηστό μπορείτε να ανοίξετε την πόρτα.

Εκκίνηση ενός προγράμματος

1. Ανάψτε το πλυντήριο πιέζοντας το κουμπί ON/OFF. Όλα τα ενδεικτικά φωτάκια θα ανάψουν μερικά δευτερόλεπτα, μετά θα σβήσουν και θα πάλλεται το ενδεικτικό φωτάκι START/PAUSE.
2. Φορτώστε τη μπουγάδα και κλείστε την πόρτα.
3. Θέστε με τον επιλογέα ΠΡΟΓΡΑΜΜΑΤΩΝ το επιθυμητό πρόγραμμα.
4. Θέστε τη θερμοκρασία πλυσίματος (βλέπε «Εξατομικεύσεις»).
5. Θέστε την ταχύτητα στυψίματος (βλέπε «Εξατομικεύσεις»).
6. Χύστε απορρυπαντικό και πρόσθετα (βλέπε «Απορρυπαντικά και μπουγάδα»).
7. Επιλέξτε τις διαθέσιμες λειτουργίες.
8. Εκκινήστε το πρόγραμμα πιέζοντας το κουμπί START/PAUSE και το σχετικό ενδεικτικό φωτάκι θα παραμείνει αναμμένο συνεχώς με πράσινο χρώμα. Για να ακυρώσετε τον τεθέντα κύκλο θέστε τη μηχανή σε παύση πιέζοντας το κουμπί START/PAUSE και επιλέξτε ένα νέο κύκλο.
9. Στο τέλος του προγράμματος θα φωτιστεί το ενδεικτικό φωτάκι END. Όταν η ενδεικτική λυχνία ΠΟΡΤΑΑΣΦΑΛΙΣΜΕΝΗ  σβήσει μπορείτε να ανοίξετε την πόρτα (περιμένετε 3 λεπτά περίπου). Βγάλτε τη μπουγάδα και αφήστε την πόρτα μισόκλειστη για να στεγνώσει ο κάδος. Σβήστε το πλυντήριο πιέζοντας το κουμπί ON/OFF.

Προγράμματα

Πίνακας των Προγραμμάτων

Προγράμματα	Περιγραφή του Προγράμματος	Μέγιστη θερμοκρασία (°C)	Μέγιστη ταχύτητα (στροφές ανά λεπτό)	Απορρυπαντικά			Μέγιστο Φορτίο (Kg)	Υπολειπόμενη υγρασία %	Κατανάλωση ενέργειας kWh	Συνολικό νερό lt	Διάρκεια κύκλου
				Προσι- λυση	Πλύσι-μο	Μαλακ- τικό					
Καθημερινά (Daily)											
1	Βαμβακερά πρόπλυση: Λευκά εξαιρετικά λερωμένα.	90°	1000	●	●	●	7	62	1,90	68	155'
2	Κανονικό πρόγραμμα για βαμβακερά στους 60°C (1): Λευκά και χρωματιστά ανθεκτικά, πολύ λερωμένα.	60° (Max. 90°)	1000	-	●	●	7	62	1,19	52,5	205'
3	Κανονικό πρόγραμμα για βαμβακερά στους 40°C (2): Λευκά λίγο λερωμένα και ευαίσθητα χρώματα.	40°	1000	-	●	●	7	62	0,81	65	195'
4	Συνθετικά: Χρωματιστά ανθεκτικά, πολύ λερωμένα.	60°	800	-	●	●	3	44	0,78	33	105'
4	Συνθετικά (3): Χρωματιστά ανθεκτικά, λίγο λερωμένα.	40°	800	-	●	●	3	44	0,49	38	95'
5	Βαμβακερά χρωματιστά: Λευκά λίγο λερωμένα και ευαίσθητα χρώματα.	40°	1000	-	●	●	7	62	0,86	56	95'
20° Zone											
6	Κανονικό πρόγραμμα για βαμβακερά στους 20°C: Λευκά λίγο λερωμένα και ευαίσθητα χρώματα.	20°	1000	-	●	●	7	-	-	-	170'
7	Mix Light	20°	800	-	●	●	7	-	-	-	120'
8	20' Refresh	20°	800	-	●	●	1,5	-	-	-	20'
Ειδικά (Special)											
9	Μεταξωτά/ Κουρτίνες: Για μεταξωτά ρούχα, βιακόζη, λινά.	30°	0	-	●	●	1	-	-	-	55'
10	Μάλλινα: Για μάλλινα, cachemire, κλπ.	40°	800	-	●	●	1,5	-	-	-	70'
11	Jeans	40°	800	-	●	●	3	-	-	-	75'
Sport											
12	Sport Intensive	30°	600	-	●	●	3	-	-	-	85'
13	Sport Light	30°	600	-	●	●	3	-	-	-	60'
14	Special Shoes	30°	600	-	●	●	(Max. 2 ζευγάρια)	-	-	-	55'
Επί μέρους προγράμματα											
☼	Ξέβγαλμα	-	1000	-	-	●	7	-	-	-	36'
☼	Στύψιμο + Άντληση	-	1000	-	-	-	7	-	-	-	10'
☼	Μόνο άδειασμα *	-	☼	-	-	-	7	-	-	-	3'

* Επιλέγοντας το πρόγραμμα ☼ και αποκλείοντας τη φυγοκέντρωση η συσκευή θα εκτελέσει μόνο το άδειασμα.

Η διάρκεια του κύκλου που φαίνεται στην οθόνη ή στο εγχειρίδιο αποτελεί μια εκτίμηση υπολογισμένη με βάση τις σπάντες συνθήκες. Ο πραγματικός χρόνος μπορεί να ποικίλει με βάση πολυάριθμους παράγοντες όπως θερμοκρασία και πίεση του εισερχόμενου νερού, θερμοκρασία περιβάλλοντος, ποσότητα απορρυπαντικού, ποσότητα και τύπος φορτίου, πρόσθετες επιλεγμένες δυνατότητες.

1) Πρόγραμμα ελέγχου σύμφωνα με την ρύθμιση 1061/2010: θέστε το πρόγραμμα 2 σε μια θερμοκρασία 60°C.

Ο κύκλος αυτός είναι κατάλληλος για τον καθαρισμό φορτίου βαμβακερών με συνηθισμένη βρωμιά και είναι ο πλέον αποτελεσματικός σε όρους κατανάλωσης ενέργειας και νερού, προς χρήση σε ρούχα πλενόμενα στους 60°C. Η πραγματική θερμοκρασία πλυσίματος μπορεί να διαφέρει από την υποδεικνυόμενη.

2) Πρόγραμμα ελέγχου σύμφωνα με την ρύθμιση 1061/2010: θέστε το πρόγραμμα 3 σε μια θερμοκρασία 40°C.

Ο κύκλος αυτός είναι κατάλληλος για τον καθαρισμό φορτίου βαμβακερών με συνηθισμένη βρωμιά και είναι ο πλέον αποτελεσματικός σε όρους κατανάλωσης ενέργειας και νερού, προς χρήση σε ρούχα πλενόμενα στους 40°C. Η πραγματική θερμοκρασία πλυσίματος μπορεί να διαφέρει από την υποδεικνυόμενη.

Για όλα τα Test Institutes:

2) Πρόγραμμα βαμβακερών μακρύ: θέστε το πρόγραμμα 3 σε μια θερμοκρασία 40°C.

3) Συνθετικά πρόγραμμα μαζί: θέστε το πρόγραμμα 4 σε μια θερμοκρασία 40°C.

Sport Intensive (πρόγραμμα 12) σχεδιάστηκε για το πλύσιμο υφασμάτων αθλητικής ένδυσης (φόρμες, παντελονάκια, κλπ.) λίγο λερωμένα. Για να πετύχετε τα καλύτερα αποτελέσματα συστήνεται να μην ξεπερνάτε το μέγιστο φορτίο του "Πίνακα των προγραμμάτων".

Sport Light (πρόγραμμα 13) σχεδιάστηκε για το πλύσιμο υφασμάτων αθλητικής ένδυσης (φόρμες, παντελονάκια, κλπ.) λίγο λερωμένα. Για να πετύχετε τα καλύτερα αποτελέσματα συστήνεται να μην ξεπερνάτε το μέγιστο φορτίο του "Πίνακα των προγραμμάτων". Συστήνεται η χρήση υγρού απορρυπαντικού, χρησιμοποιείτε μια δόση κατάλληλη για μισό φορτίο.

Special Shoes (πρόγραμμα 14) σχεδιάστηκε για το πλύσιμο αθλητικών υποδημάτων. Για να πετύχετε τα καλύτερα αποτελέσματα μην πλένετε περισσότερα από 2 ζευγάρια.

Τα προγράμματα 20° (20° Zone) προσφέρουν καλές επιδόσεις πλυσίματος σε χαμηλές θερμοκρασίες, επιτρέποντας μειωμένη κατανάλωση ηλεκτρικής ενέργειας με εξοικονόμηση ενέργειας και ευεργετικά αποτελέσματα για το περιβάλλον.

Τα προγράμματα 20° ικανοποιούν όλες τις ανάγκες:

Κανονικό πρόγραμμα για βαμβακερά στους 20° (πρόγραμμα 6) ιδανικό για φορτία λερωμένων βαμβακερών. Οι καλές επιδόσεις και σε χαμηλή θερμοκρασία, συγκρίσιμες με ένα πλύσιμο στους 40°, εξασφαλίζονται από μια μηχανική δράση που λειτουργεί με μεταβολή ταχύτητας σε επαναλαμβανόμενες και κοντινές αυξομειώσεις.

Mix Light (πρόγραμμα 7) ιδανικό για ανάμικτα φορτία (βαμβακερά και συνθετικά) κανονικά λερωμένα. Οι καλές επιδόσεις πλυσίματος και σε χαμηλή θερμοκρασία εξασφαλίζονται από μια μηχανική δράση που λειτουργεί με μεταβολή ταχύτητας σε καθορισμένα και μεσαία διαστήματα.

20' Refresh (πρόγραμμα 8) κύκλος ιδανικός για το φρεσκάρισμα και πλύσιμο ενδυμάτων ελαφρά λερωμένων σε λίγα λεπτά.

Διαρκεί μόνο 20 λεπτά και εξοικονομεί χρόνο και ενέργεια. Μπορείς να πλένεις μαζί διαφορετικά υφάσματα (εκτός μάλλινων και μεταξωτών) με μέγιστο φορτίο 1,5 Kg.

Θέστε τη θερμοκρασία

Στρέφοντας τον επιλογέα ΘΕΡΜΟΚΡΑΣΙΑ τίθεται η θερμοκρασία πλυσίματος (βλέπε *Πίνακα προγραμμάτων*).

Η θερμοκρασία μπορεί να μειωθεί μέχρι το πλύσιμο σε κρύο νερό ❄️. Το μηχάνημα θα παρεμποδίσει αυτόματα τη θέση θερμοκρασίας μεγαλύτερης της μέγιστης προβλεπόμενης για κάθε πρόγραμμα.


! Εξαιρέση: επιλέγοντας το πρόγραμμα 2 η θερμοκρασία μπορεί να αυξηθεί μέχρι 90°.

Θέστε το στύψιμο

Στρέφοντας τον επιλογέα ΣΤΥΨΙΜΟ τίθεται η ταχύτητα στυψίματος του επιλεγμένου προγράμματος.

Οι μέγιστες προβλεπόμενες ταχύτητες για τα προγράμματα είναι:

Προγράμματα	Μέγιστη ταχύτητα
Βαμβακερά	1000 στροφές ανά λεπτό
Συνθετικά	800 στροφές ανά λεπτό
Μάλλινα	800 στροφές ανά λεπτό
Μεταξωτά	μόνο άδειασμα

Η ταχύτητα στυψίματος μπορεί να ελαττωθεί ή να αποκλειστεί επιλέγοντας το σύμβολο .

Το μηχάνημα θα παρεμποδίσει αυτόματα τη διενέργεια στυψίματος μεγαλύτερου του μέγιστου προβλεπόμενου για κάθε πρόγραμμα.

Λειτουργίες

Οι διάφορες λειτουργίες πλυσίματος που προβλέπονται από το πλυντήριο επιτρέπουν την επίτευξη του καθαρισμού και του λευκού που επιθυμείτε.

Για την ενεργοποίηση των λειτουργιών:

- πιέστε το πλήκτρο το σχετικό με την επιλεγμένη λειτουργία.
- Το άναμμα του ενδεικτικού φωτός επισημαίνει ότι η λειτουργία είναι ενεργή.


Παρατήρηση:

- Αν η επιλεγμένη λειτουργία δεν είναι συμβατή με το τεθέν πρόγραμμα το σχετικό ενδεικτικό φωτάκι θα αναβοσβήνει και η λειτουργία δεν θα ενεργοποιηθεί.
- Αν η επιλεγμένη λειτουργία δεν είναι συμβατή με μια άλλη που επελέγη προηγουμένως, το σχετικό φωτάκι της πρώτης επιλεγμένης λειτουργίας θα αναβοσβήνει και θα ενεργοποιηθεί μόνο η δεύτερη, το ενδεικτικό φωτάκι της ενεργοποιηθείσας λειτουργίας θα φωτιστεί.

EcoTime

Επιλέγοντας τη δυνατότητα αυτή η μηχανική κίνηση, η θερμοκρασία και το νερό είναι βελτιστοποιημένο για μειωμένο φορτίο βαμβακερών και συνθετικών λίγο λερωμένων (βλέπε *“Πίνακας των Προγραμμάτων”*). Με το “EcoTime” μπορείτε να πλένετε σε μικρούς χρόνους, εξοικονομώντας νερό και ενέργεια. Συστήνεται η χρήση μιας δόσης υγρού απορρυπαντικού κατάλληλης για την ποσότητα του φορτίου.

Energy Saver

Η λειτουργία  συμβάλλει στην εξοικονόμηση ενέργειας μη θερμαίνοντας το νερό που χρησιμοποιείται στο πλύσιμο της μπουγάδας – ένα πλεονέκτημα τόσο για το περιβάλλον όσο και για τον λογαριασμό του ηλεκτρικού. Πράγματι, η ενισχυμένη δράση και η βελτιστοποιημένη κατανάλωση εγγυώνται βέλτιστα αποτελέσματα στην ίδια μέση διάρκεια ενός σάνταρ κύκλου.

Για να πετύχετε τα βέλτιστα αποτελέσματα πλυσίματος, συστήνεται η χρήση ενός υγρού απορρυπαντικού.

Επιπλέον Ξεβγάλμα

Επιλέγοντας τη δυνατότητα αυτή αυξάνεται η αποτελεσματικότητα του ξεβγάλματος και εξασφαλίζεται η μέγιστη απομάκρυνση του απορρυπαντικού. Είναι χρήσιμη για επιδερμίδες ιδιαίτερα ευαίσθητες.

Καθυστερημένη εκκίνηση

Καθυστερεί την εκκίνηση του μηχανήματος μέχρι 12 ώρες.

Πιέστε πολλές φορές το πλήκτρο μέχρι να ανάψει το ενδεικτικό φωτάκι το σχετικό με την επιθυμητή καθυστέρηση. Στην πέμπτη φορά που θα πιέσετε το κουμπί η λειτουργία θα απενεργοποιηθεί.

ΣΗΜΕΙΩΣΗ: Αφού πατηθεί το πλήκτρο START/PAUSE, μπορείτε να αλλάξετε την τιμή καθυστέρησης μόνο μειώνοντάς την μέχρι την εκκίνηση του τεθέντος προγράμματος.

Απορρυπαντικά και μπουγάδα

GR

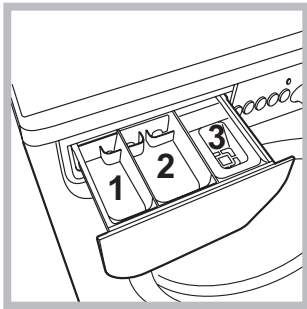
Θήκη απορρυπαντικών

Το καλό αποτέλεσμα του πλυσίματος εξαρτάται επίσης και από τη σωστή δοσολογία του απορρυπαντικού: υπερβάλλοντας δεν πλένουμε αποτελεσματικότερα και συντελούμε στη δημιουργία κρούστας στα εσωτερικά μέρη του πλυντηρίου και στη μόλυνση του περιβάλλοντος.

! Μη χρησιμοποιείτε απορρυπαντικά για πλύσιμο στο χέρι, διότι παράγουν πολύ αφρό.

! Να χρησιμοποιείτε απορρυπαντικά σε σκόνη για ρούχα λευκά βαμβακερά και για την πρόπλυση και για πλυσίματα σε θερμοκρασία μεγαλύτερη των 60°C.

! Ακολουθήστε τις υποδείξεις που αναγράφονται στη συσκευασία του απορρυπαντικού.



Βγάλτε τη θήκη απορρυπαντικών και εισάγετε το απορρυπαντικό ή το πρόσθετο ως εξής.

θήκη 1: Απορρυπαντικό για πρόπλυση (σε σκόνη)

θήκη 2: Απορρυπαντικό για πλύσιμο (σε σκόνη ή υγρό)

Το υγρό απορρυπαντικό χύνεται μόνο πριν την εκκίνηση.

θήκη 3: Πρόσθετα (μαλακτικό, κλπ.)

Το μαλακτικό δεν πρέπει να διαφεύγει από το πλέγμα.

Προετοιμασία της μπουγάδας

- Χωρίστε τη μπουγάδα ανάλογα:
 - με το είδος του υφάσματος/ το σύμβολο της ετικέτας.
 - τα χρώματα: χωρίστε τα χρωματιστά ρούχα από τα λευκά.
- Εκκενώστε τις τσέπες και ελέγξτε τα κουμπιά.
- Μην ξεπερνάτε τις υποδεικνυόμενες τιμές στον "Πίνακα των Προγραμμάτων" σε σχέση με το βάρος της στεγνής μπουγάδας.


Πόσο ζυγίζει η μπουγάδα;

- 1 σεντόνι 400-500 gr.
- 1 μαξιλαροθήκη 150-200 gr.
- 1 τραπεζομάντιλο 400-500 gr.
- 1 μπουρνούζι 900-1.200 gr.
- 1 πετσέτα 150-250 gr.

Ειδικά ρούχα

Μεταξωτά: χρησιμοποιήστε το αντίστοιχο πρόγραμμα **9** για να πλύνετε όλα τα μεταξωτά ρούχα. Συνιστάται η χρήση ενός ειδικού απορρυπαντικού για ευαίσθητα ρούχα.

Κουρτίνες: διπλώστε τις μέσα σε ένα μαξιλάρι ή σε ένα δικτυωτό σακούλι. Χρησιμοποιήστε το πρόγραμμα **9**.

Μάλλινα: Με το πρόγραμμα **10** μπορείτε να πλένετε στο πλυντήριο όλα τα μάλλινα ρούχα ακόμη και εκείνα με την ετικέτα "μόνο πλύσιμο στο χέρι" . Για καλύτερα αποτελέσματα χρησιμοποιήστε ειδικό απορρυπαντικό και μην ξεπερνάτε το 1,5 kg μπουγάδας.

Jeans: γυρίστε από την ανάποδη τα ρούχα πριν το πλύσιμο και χρησιμοποιήστε υγρό απορρυπαντικό. Χρησιμοποιήστε το πρόγραμμα **11**.

Σύστημα ισοστάθμισης του φορτίου

Πριν από κάθε στύψιμο, για να αποφύγετε δονήσεις υπερβολικές και για να κατανείμετε ομοιόμορφα το φορτίο, ο κάδος διενεργεί περιστροφές σε μια ταχύτητα ελαφρά ανώτερη εκείνης του πλυσίματος. Αν στο τέλος των διαδοχικών προσπαθειών το φορτίο δεν έχει ακόμη εξισορροπηθεί σωστά η μηχανή διενεργεί το στύψιμο σε μια ταχύτητα χαμηλότερη της προβλεπόμενης. Παρουσία υπερβολικής αστάθειας, το πλυντήριο διενεργεί την κατανομή αντί του στυψίματος. Για να ευνοηθεί καλύτερη κατανομή του φορτίου και της σωστής εξισορρόπησης συνιστάται η ανάμιξη ρούχων μεγάλων και μικρών διαστάσεων.

Μπορεί να συμβεί το πλυντήριο να μη λειτουργεί. Πριν τηλεφωνήσετε στην Υποστήριξη (βλέπε “Υποστήριξη”), ελέγξτε αν δεν πρόκειται για πρόβλημα που επιλύεται εύκολα με τη βοήθεια του ακόλουθου καταλόγου.

Ανωμαλίες:

Δυνατά αίτια / Λύση:

Το πλυντήριο δεν ανάβει.

- Το βύσμα δεν έχει εισαχθεί στην ηλεκτρική πρίζα ή τουλάχιστον όχι αρκετά για να κάνει επαφή.
- Στο σπίτι δεν υπάρχει ρεύμα.

Ο κύκλος πλυσίματος δεν ξεκινάει.

- Η πόρτα δεν κλείνει καλά.
- Το κουμπί ON/OFF δεν πατήθηκε.
- Το κουμπί START/PAUSE δεν πατήθηκε.
- Η βρύση του νερού δεν είναι ανοιχτή.
- Τέθηκε μια καθυστέρηση στον χρόνο εκκίνησης (βλέπε «Εξατομικεύσεις»).

Το πλυντήριο δεν φορτώνει νερό (αναβοσβήνει γρήγορα το ενδεικτικό φωτάκι της πρώτης φάσης πλύσης).

- Ο σωλήνας τροφοδοσίας του νερού δεν είναι συνδεδεμένος στον κρουνό.
- Ο σωλήνας είναι διπλωμένος.
- Η βρύση του νερού δεν είναι ανοιχτή.
- Στο σπίτι λείπει το νερό.
- Δεν υπάρχει αρκετή πίεση.
- Το κουμπί START/PAUSE δεν πατήθηκε.

Το πλυντήριο φορτώνει και αδειάζει νερό συνεχώς.

- Ο σωλήνας αδειάσματος δεν έχει εγκατασταθεί μεταξύ 65 και 100 cm από το έδαφος (βλέπε «Εγκατάσταση»).
- Το άκρο του σωλήνα αδειάσματος είναι βυθισμένο στο νερό (βλέπε «Εγκατάσταση»).
- Το επιτοίχιο άδειασμα δεν έχει απαέρωση.

Αν μετά από αυτούς τους ελέγχους το πρόβλημα δεν λύνεται, κλείστε τη βρύση του νερού, σβήστε το πλυντήριο και καλέστε την υποστήριξη. Αν η κατοικία βρίσκεται στους τελευταίους ορόφους ενός κτιρίου, μπορεί να διαπιστωθούν φαινόμενα σιφωνισμού, οπότε το πλυντήριο φορτώνει και αδειάζει νερό συνεχώς. Για την αντιμετώπιση του προβλήματος διατίθενται στο εμπόριο κατάλληλες βαλβίδες αντι-σιφωνισμού.

Το πλυντήριο δεν φορτώνει ή δεν στύβει.

- Το πρόγραμμα δεν προβλέπει το άδειασμα: με ορισμένα προγράμματα πρέπει να το εκκινήσετε χειρονακτικά.
- Ο σωλήνας αδειάσματος είναι διπλωμένος (βλέπε «Εγκατάσταση»).
- Ο αγωγός εκκένωσης είναι βουλωμένος.

Το πλυντήριο δονείται πολύ κατά το στύψιμο.

- Ο κάδος, τη στιγμή της εγκατάστασης, δεν ξεμπλόκαρε σωστά (βλέπε «Εγκατάσταση»).
- Το πλυντήριο δεν είναι οριζοντιωμένο (βλέπε «Εγκατάσταση»).
- Το πλυντήριο είναι πολύ στενά μεταξύ τοίχου και επίπλων (βλέπε «Εγκατάσταση»).

Το πλυντήριο χάνει νερό.

- Ο σωλήνας τροφοδοσίας του νερού δεν είναι καλά βιδωμένος (βλέπε «Εγκατάσταση»).
- Η θήκη των απορρυπαντικών είναι βουλωμένη (για να την καθαρίσετε βλέπε «Συντήρηση και φροντίδα»).
- Ο σωλήνας αδειάσματος δεν έχει στερεωθεί καλά (βλέπε «Εγκατάσταση»).

Τα ενδεικτικά φωτάκια των “δυνατοτήτων” και το ενδεικτικό φωτάκι “ START/PAUSE” αναβοσβήνουν και ένα από τα φωτάκια της “φάσης σε εξέλιξη” και “ ΠΟΡΤΑ ΑΣΦΑΛΙΣΜΕΝΗ” ανάβει σταθερά.

- Σβήστε τη μηχανή και βγάλτε το βύσμα από την πρίζα, περιμένετε περίπου 1 λεπτό μετά ξαναάψτε τη.
- Αν η ανωμαλία επιμένει, καλέστε την Υποστήριξη.

Σχηματίζεται πολύς αφρός.

- Το απορρυπαντικό δεν είναι ειδικό για πλυντήριο (πρέπει να υπάρχει η ένδειξη “για πλυντήριο”, “για πλύσιμο στο χέρι και στο πλυντήριο”, ή παρόμοια).
- Η δοσολογία υπήρξε υπερβολική.

Υποστήριξη

GR

Πριν επικοινωνήσετε με την Υποστήριξη:

- Ελέγξτε αν η ανωμαλία μπορεί να την αντιμετωπίσετε μόνοι σας (βλέπε “Ανωμαλίες και λύσεις”);
- Επανεκκινήστε το πρόγραμμα για να ελέγξετε αν το πρόβλημα αντιμετωπίστηκε;
- Σε αρνητική περίπτωση, επικοινωνήστε με την εξουσιοδοτημένη Τεχνική Υποστήριξη στον τηλεφωνικό αριθμό που υπάρχει στο πιστοποιητικό εγγύησης.

! Μην καταφεύγετε ποτέ σε μη εξουσιοδοτημένους τεχνικούς.

Γνωστοποιήστε:

- το είδος της ανωμαλίας;
- το μοντέλο του μηχανήματος (Mod.);
- τον αριθμό σειράς (S/N).

Οι πληροφορίες αυτές βρίσκονται στην ταμπελίτσα που υπάρχει στο πίσω μέρος του πλυντηρίου και στο πρόσθιο μέρος ανοίγοντας την πόρτα.

BG

Български

IWC 71051

Съдържание

Монтиране, 62-63

Разопаковане и нивелиране
Хидравлични и електрически връзки
Първо пране
Технически данни

Поддръжка и почистване, 64

Спиране на водата и изключване на електрозахранването
Почистване на пералната машина
Почистване на чекмеджето за перилните препарати
Поддръжка на люка и на барабана
Почистване на помпата
Проверка на маркуча за студената вода

Мерки за безопасност и препоръки, 65

Общи предохранителни мерки
Рециклиране

Описание на пералната машина и пускането на дадена програма, 66-67

Табло за управление
Светлинни индикатори
Включване на програма

Програми, 68

Таблица с програмите

Персонализираня, 69

Задаване на температурата
Задаване на центрофугата
Функции

Перилни препарати и дрехи за пране, 70

Чекмедже за перилните препарати
Подготвяне на прането
Специфично пране
Система за измерване на товара

Проблеми и мерки за отстраняването им, 71

Сервизно обслужване, 72

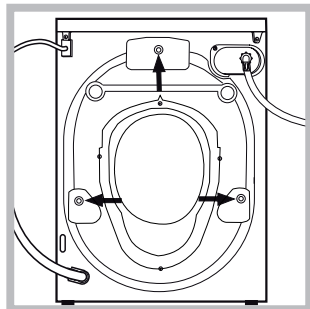
! Важно е да съхранявате инструкциите, за да можете да правите допълнителни справки по всяко време. В случай че пералната машина се продаде, преотстъпи или премести, трябва да се погрижите инструкциите винаги да я придружават, за да се предостави информация на новия собственик за работата и съответните предупреждения.

! Прочетете внимателно инструкциите: защото съдържат важна информация за монтажа, използването и безопасността.

Разопаковане и нивелиране

Разопаковане

1. Разопакувайте пералната машина.
2. Проверете дали пералната машина не е повредена при транспортирането. Ако е повредена, не я свързвайте, а се обърнете към продавача.

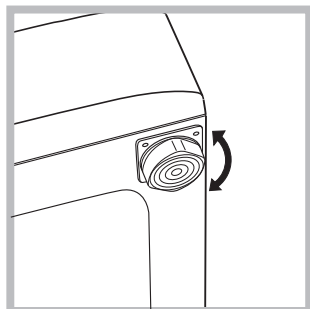


3. Свалете 3-те винта за предпазване при транспорт и гумичката със съответната втулка, поставени от задната страна (виж показаното на фигурата).

4. Затворете отворите с предоставените пластмасови капачки.
5. Съхранете всички части: за да се монтират отново при необходимост пералната машина да бъде транспортирана.
! Опаковъчният материал не е детска играчка.

Нивелиране

1. Монтирайте пералната машина на равен и твърд под, без да я опирате в стени, мебели и др.



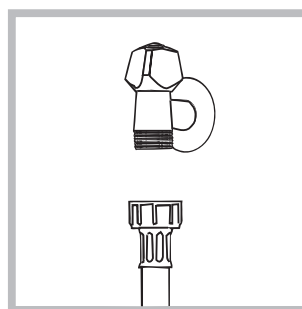
2. Ако подът не е идеално хоризонтален, компенсирате неравностите, като отвиете или завиете предните крачета (виж фигурата); ъгълът на наклона, измерен върху работната

повърхност, не трябва да надвишава 2°.

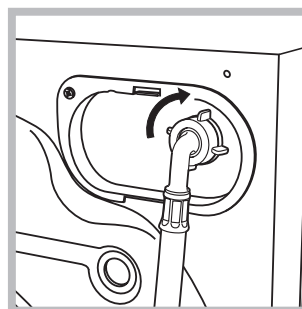
Точното нивелиране позволява машината да бъде стабилна и да се избягват вибрациите, шумът и преместването ѝ по време на работа. Когато настилката е мокет или килим, регулирайте така крачетата, че под пералната машина да остане достатъчно място за вентилация.

Хидравлични и електрически връзки

Свързване на маркуча към водопроводната мрежа



1. Свържете захранващия маркуч, като го завиете към крана за студената вода с накрайник с газова резба 3/4 (виж фигурата). Преди да го свържете, източете водата, докато се избистри.



2. Свържете маркуча за студената вода към пералната машина, като го завиете към специалния щуцер, разположен от задната страна, горе вдясно (виж фигурата).

3. Внимавайте маркуча да не се прегъва и притиска.

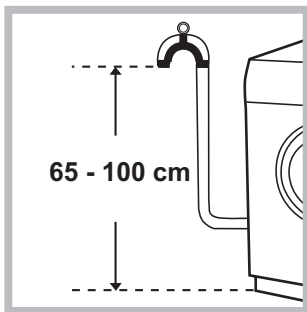
! Налягането по водопроводната мрежа трябва да бъде в границите, указани в таблицата „Технически данни“ (вж. следващата страница).

! Ако дължината на захранващия маркуч не е достатъчна, се обърнете към специализиран магазин или към оторизиран техник.

! Никога не използвайте вече употребяван маркуч.

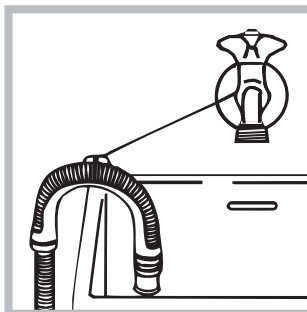
! Използвайте тези, което са доставени с пералната машина.

Свързване на маркуча за мръсната вода



Свържете маркуча за мръсната вода, без да го прегъвате, към канализационната тръба или към тръбата за отвеждане в стената, разположени на височина между 65

и 100 см от пода, или го подпрете на ръба на мивката или ваната.



Като алтернатива окачете отходния маркуч за водата в края на мивката или ваната, свързвайки водача (можете да го получите от Вашия сервизен център) към крана (вж. фигурата).

Свободният край на маркуча за мръсната вода не трябва да бъде потопен във водата.

! Не се препоръчва използването на удължителни маркучи. Ако е необходимо, удължителят трябва да има същия диаметър като оригиналния и да не надвишава 150 см.

Свързване към електрическата мрежа

Преди да свържете щепсела в контакта, проверете дали:

- контактът е заземен съгласно действащите стандарти;
- контактът може да поеме максималната мощност на натоварване на машината, указана в таблицата с техническите данни (вж следващата страница);
- захранващото напрежение е в границите на указаното в таблицата с техническите данни (вж следващата страница);
- контактът отговаря на щепсела на пералната машина. В противен случай заменете щепсела или контакта.

! Пералната машина не се монтира на открито, дори под навес, защото е много опасно да се остави на влиянието на атмосферните условия.

! За монтираната перална машина електрическият контакт трябва да бъде лесно достъпен.



! Не използвайте удължители или разклонители.

! Кабелът не трябва да бъде огънат или сплескан.

! Захранващият кабел трябва да се подменя само от оторизирани техници. Внимание! Фирмата отхвърля всякаква отговорност в случаите, в които тези норми не се спазват.

Първо пране

След инсталиране и преди употреба включете един цикъл на изпиране с перилен препарат, но без дрехи, задавайки програмата 2.

Технически данни	
Модел	IWC 71051
Размери	ширина 59,5 см височина 85 см дълбочина 51,7 см
Вместимост	от 1 до 7 кг.
Електрическо захранване	Виж табелката с характеристиките, поставена на машината
Захранване с вода	максимално налягане 1 MPa (10 bar) минимално налягане 0,05 MPa (0,5 bar) обем на казана 46 литра
Скорост на центрофугата	до 1000 оборота/минута
Програми за проверка съгласно Регламенти № 1061/2010 и № 1015/2010 на Комисията	програма 2; стандартна програма за памук при 60°C. програма 3; стандартна програма за памук при 40°C.
 	Пералната машина съответства на следните Европейски директиви: - EMC 2014/30/EU (за електромагнитна съвместимост) - LVD 2014/35/EU (за ниско напрежение) - 2012/19/EU - (WEEE)

Поддръжка и почистване

BG

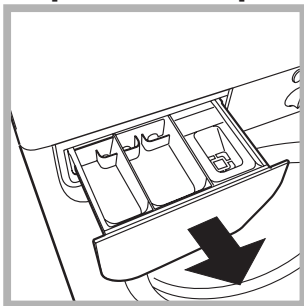
Спиране на водата и изключване на електрозахранването

- Затваряйте крана за вода след всяко изпиране. По този начин се ограничава износването на хидравличната инсталация на пералната машина и се ограничава опасността от течове.
- Изключвайте щепсела от електрическото захранване, когато почиствате пералната машина и по време на работи по поддръжката.

Почистване на пералната машина

Външната част и гумените части могат да се почистват с кърпа с хладка вода и сапун. Не използвайте разтворители или абразивни препарати.

Почистване на чекмеджето за перилните препарати



Извадете чекмеджето с повдигане и изтегляне навън (виж фигурата). Измийте го под течаща вода. Това почистване трябва да се извършва често.

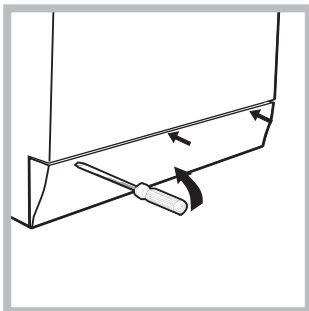
Поддръжка на люка и на барабана

- Оставяйте люка винаги открит за избягване образуването на неприятни миризми.

Почистване на помпата

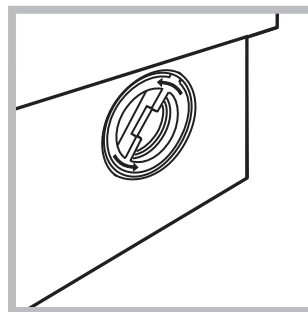
Пералната машина е окомплектована със самопочистваща се помпа, която няма нужда от поддръжка. Възможно е обаче малки предмети (монети, копчета) да попаднат във филтъра, който предпазва помпата и се намира в долната ѝ част.

! Уверете се, че цикълът на пране е завършил, и изключете щепсела от контакта.



За достъп до филтъра:

1. свалете панела в предната част на пералната машина с помощта на отвертка (вж. фигура);



2. отвийте капачката, като я завъртите в посока, обратна на часовниковата стрелка (виж фигура): нормално е да изтече малко вода;

3. почистете внимателно отвътре;
4. завийте отново капачката;
5. затворете отново панела, като, преди да го избутате към пералнята, се уверите, че сте поставили правилно закрепващите куки в специалните водачи.

Проверка на маркуча за студената вода

Проверявайте маркуча за студената вода поне веднъж годишно. Да се замени, ако е напукан и нацепен, защото по време на изпиране голямото налягане може да предизвика внезапно спукване.

! Никога не използвайте вече употребяван маркуч.

! Пералната машина е проектирана и произведена в съответствие с международните норми за безопасност. Предупрежденията тук са продиктувани по причини за безопасност и трябва да се четат внимателно.

Общи предохранителни мерки

- Този уред е предназначен изключително за домашна употреба.
- Този уред може да бъде използван от деца над 8 години и лица с ограничени физически, сетивни или умствени способности, или с недостатъчен опит и познания, ако те са наблюдавани или инструктирани относно използването на уреда от лице, отговорно за тяхната безопасност и разбират опасностите, свързани с употребата на уреда. Децата не трябва да си играят с уреда. Поддръжката и почистването не трябва да се извършват от деца без надзор.
- Пералната машина трябва да се използва само от възрастни хора съгласно инструкциите, предоставени в тази книжка.
- Не докосвайте машината, когато сте боси или с мокри или влажни ръце или крака.
- Изключвайте от контакта, като хващате за щепсела, а не като дърпате кабела.
- Не отваряйте чекмеджето с перилните препарати, докато пералната машина работи.
- Не докосвайте маркуча за мръсната вода, защото може да достигне високи температури.
- Никога не отваряйте люка със сила, защото може да се повреди механизма за безопасност, който предпазва от случайно отваряне.
- В случай на повреда по никакъв повод не достигайте до вътрешните механизми в опити за ремонт.
- Винаги контролирайте децата да не се доближават до работещата машина.
- По време на изпирането люкът се нагрива.
- Преместването да се извършва внимателно от двама или трима души. Никога от сам човек, защото пералната машина тежи много.
- Преди да заредите машината, проверете дали барабанът е празен.

Рециклиране

- Унищожаване на опаковъчния материал: спазвайте местните норми – по този начин опаковъчният материал може да се рециклира.
- Европейската директива 2012/19/EU (WEEE) за отпадъците от електрическо и електронно оборудване предвижда домакинските електроуреди да не се изхвърлят заедно с обичайните твърди градски отпадъци. Извадените от употреба уреди трябва да бъдат събирани отделно с цел да бъде увеличен

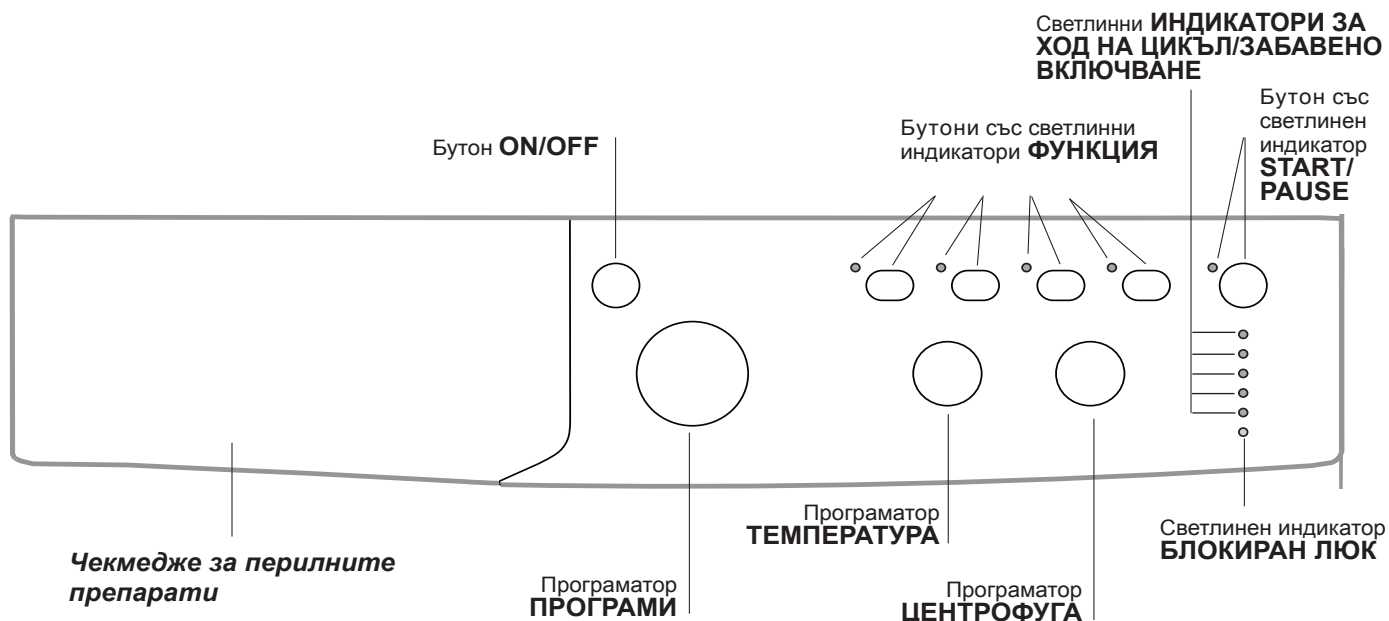
делът на подлежащите на повторна употреба и рециклиране материали, от които са направени, както и да бъдат избегнати евентуални вреди за здравето и околната среда. Символът “зачеркнато кошче” е поставен върху всички продукти, за да напомня за задължителното разделно събиране.

За допълнителна информация относно правилното изваждане от употреба на домакинските електроуреди, интересуващите се могат да се обърнат към службата за събиране на отпадъци или към дистрибуторите.

Описание на пералната машина и пускането на дадена програма

BG

Табло за управление



Чекмедже за перилните препарати: за дозиране на перилните препарати и добавките (вж. “Перилни препарати и дрехи за пране”).

Бутон ON/OFF: за включване и изключване на пералнята.

Програматор ПРОГРАМИ: за задаване на програмите. По време на изпълнение на програмата ключът остава неподвижен.

Бутони със светлинни индикатори ФУНКЦИЯ: за селектиране на възможните функции. Светлинният индикатор за избраната функция ще продължи да свети.

Програматор ТЕМПЕРАТУРА: за задаване на температура или пране със студена вода (вж. “Персонализираня”).

Програматор ЦЕНТРОФУГА: за задаване на центрофуга или за изключването ѝ (вж. “Персонализираня”).

Светлинни ИНДИКАТОРИ ЗА ХОД НА ЦИКЪЛ/ЗАБАВЕНО ВКЛЮЧВАНЕ: за да следвате хода на изпълнение на програмата за пране. Включеният светлинен индикатор показва, че се извършва определена фаза от цикъла. Ако е зададена функцията “Забавено включване”, ще се посочва времето, оставащо до стартирането на програмата (вж. *съседната страница*).

Светлинен индикатор БЛОКИРАН ЛЮК: за да се разбере дали люкът може да се отвори (вж. *съседната страница*).

Бутон със светлинен индикатор START/PAUSE: за стартиране на програмите или временното им прекъсване.

Забележка: за задаване на пауза в прането натиснете отново бутона - индикаторът ще мига с оранжева светлина, докато светлинният индикатор, указващ изпълнение на фаза, ще свети непрекъснато. Ако светлинният индикатор БЛОКИРАН ЛЮК е угаснал, ще може да се отвори вратата на люка (изчакайте около 3 минути). За продължаване на цикъла пране от мястото, в което е бил прекъснат, натиснете отново този бутон.

Режим на stand by

В съответствие с новите нормативи за пестене на енергия тази перална машина е снабдена със система за автоматично изключване (stand by), която се задейства след 30 минути в случай, че машината не се използва. Натиснете за кратко бутон ON/OFF и изчакайте машината да се задейства отново.

Потребление в режим „Off“ (Изкл.): 0,5 W

Потребление в режим „On“ (Вкл.): 8 W

Светлинни индикатори

Следящите светлинни индикатори дават важна информация.

Ето какво казват:

Отложен старт

Ако е активирана функцията “Забавено включване” (вж. “Персонализираня”), след пускане на програмата ще светне индикаторът за избраното забавяне:



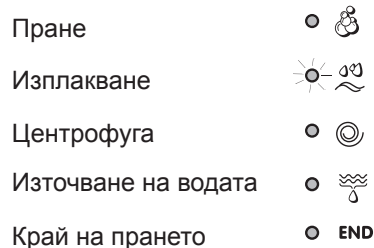
В течение на времето ще се визуализира оставащото забавяне чрез мигане на съответния светлинен индикатор:



След като изтече зададеното време за отлагане на старта, избраната програма ще се включи.

Светлинни индикатори за текущите фази

След като е избран и стартиран желаният цикъл на пране, светлинните индикатори ще светват един след друг, за да указват хода на цикъла:




Бутони за функция и съответни светлинни индикатори

При избор на функция съответният светлинен индикатор ще светне. Ако избраната функция не е съвместима със зададената програма, съответният светлинен индикатор ще мига и функцията няма да се активира. Ако избраната функция не е съвместима с друга предварително зададена, светлинният индикатор, съответстващ на първата избрана функция, мига и се активира само втората, като индикаторът на активираната функция светва.

Светлинен индикатор блокиран люк

Светещият светоиндикатор показва, че люкът е блокиран, за да се възпрепятства отварянето му; за да отворите люка изчакайте светоиндикатора да угасне; (изчакайте около 3 минути). За отваряне на люка по време на пране се натиска бутон START/PAUSE; може да отворите люка, ако светоиндикаторът БЛОКИРАН ЛЮК е угаснал.

Включване на програма

1. Включете пералнята, като натиснете бутона ON/OFF. Всички индикатори ще се включат и ще светят в продължение на няколко секунди, след което ще угаснат и ще свети с пулсираща светлина индикаторът START/PAUSE.
2. Заредете дрехите за пране и затворете люка.
3. Задайте желаната програма с ключа ПРОГРАМИ.
4. Задайте температурата на пране (вж. “Персонализираня”).
5. Задайте скоростта на центрофугиране (вж. “Персонализираня”).
6. Поставете перилен препарат и добавки вж. “Перилни препарати и дрехи за пране”.
7. Избиране на желаните функции.
8. Включете програмата, като натиснете бутона START/PAUSE, съответният светлинен индикатор ще свети постоянно в зелен цвят. За да отмените зададения цикъл, поставете машината в пауза, като натиснете бутона START/PAUSE, и изберете новия цикъл.
9. Когато програмата свърши, ще светне индикаторът END. Когато светоиндикаторът БЛОКИРАН ЛЮК  угасне, може да отворите люка (изчакайте около 3 минути). Извадете прането и оставете люка притворен, за да изсъхне барабанът. Изключете пералнята, като натиснете бутона ON/OFF.

Програми

Таблица с програмите

Програми	Описание на програмата	Макс. температура (°C)	Макс. скорост (обороти в минута)	Перилни препарати			Зареждане макс. (кг)	Остатъчна влажност %	Разход на енергия kWh	Общ разход на вода lt	Продължителност на цикъла
				Пред-ране	Основно пране	Омекотител					
Програми за всеки ден (Daily)											
1	ПАМУК "Предпране": Бели, изключително замърсени.	90°	1000	●	●	●	7	62	1,90	68	155'
2	Стандартна програма за памук при 60°C (1): Бели и цветни, устойчиви, силно замърсени.	60° (Max. 90°)	1000	-	●	●	7	62	1,19	52,5	205'
3	Стандартна програма за памук при 40°C (2): Бели и цветни, неустойчиви, малко замърсени.	40°	1000	-	●	●	7	62	0,81	65	195'
4	СИНТЕТИЧНИ: Цветни, устойчиви, силно замърсени.	60°	800	-	●	●	3	44	0,78	33	105'
4	СИНТЕТИЧНИ (3): Цветни, устойчиви, малко замърсени.	40°	800	-	●	●	3	44	0,49	38	95'
5	ПАМУК-ЦВЕТНИ: Бели, малко замърсени, и цветни, неустойчиви.	40°	1000	-	●	●	7	62	0,86	56	95'
20° Zone											
6	Стандартна програма за памук при 20°C: Бели и цветни, неустойчиви, малко замърсени.	20°	1000	-	●	●	7	-	-	-	170'
7	Mix Light	20°	800	-	●	●	7	-	-	-	120'
8	20' Refresh	20°	800	-	●	●	1,5	-	-	-	20'
Специални програми (Special)											
9	КОПРИНА/ПЕРДЕТА: За дрехи от коприна, вискоза, фино бельо.	30°	0	-	●	●	1	-	-	-	55'
10	ВЪЛНЕНИ ТЪКАНИ: За вълна, кашмир и т.н.	40°	800	-	●	●	1,5	-	-	-	70'
11	JEANS	40°	800	-	●	●	3	-	-	-	75'
Sport											
12	Sport Intensive	30°	600	-	●	●	3	-	-	-	85'
13	Sport Light	30°	600	-	●	●	3	-	-	-	60'
14	Sport Shoes	30°	600	-	●	●	(макс. 2 чифта.)	-	-	-	55'
Частични програми											
	ИЗПЛАКВАНЕ	-	1000	-	-	●	7	-	-	-	36'
	ЦЕНТРОФУГА + ИЗПОМПВАНЕ	-	1000	-	-	-	7	-	-	-	10'
	САМО ИЗТОЧВАНЕ НА ВОДАТА *	-	∅	-	-	-	7	-	-	-	3'

* С избирането на програма  и изключването на центрофугата пералнята само ще източи водата.

Продължителността на цикъла, показана на дисплея или посочена в ръководството, е приблизително изчислена въз основа на стандартните условия. Реалното времетраене може да варира в зависимост от множество фактори като температура и налягане на водата при пълнене, температура на въздуха в помещението, количество перилен препарат, количество, вид и тегло на прането, допълнително избрани опции.

1) Програма за проверка съгласно стандарт 1061/2010: задайте програма 2 с температура 60 °C.
Този цикъл е подходящ за пране на памучни, нормално замърсени тъкани и е най-ефективен от гледна точка на комбиниран разход на енергия и вода, подходящ е за дрехи, които могат да се перат на 60°C.

2) Програма за проверка съгласно стандарт 1061/2010: задайте програма 3 с температура 40 °C.
Този цикъл е подходящ за пране на памучни, нормално замърсени тъкани и е най-ефективен от гледна точка на комбиниран разход на енергия и вода, подходящ е за дрехи, които могат да се перат на 40°C.

За всички Test Institutes:

- 2) Дълга програма за памук; задайте програма 3 с температура 40 °C.
- 3) Дълга програма за Синтетични; задайте програма 4 с температура 40 °C.

Sport Intensive (програма 12) разработена е за пране на тъкани на силно замърсени спортни дрехи (анцузи, панталони, др.); за постигане на по-добри резултати се препоръчва да не се надвишава максималното натоварване, указано в таблицата „Таблица с програмите“.

Sport Light (програма 13) разработена е за пране на тъкани на леко замърсено спортно облекло (анцузи, панталони, др.); за постигане на по-добри резултати се препоръчва да не се надвишава максималното натоварване, указано в „Таблица с програмите“. Препоръчва се да се използва течен перилен препарат в доза, подходяща за половин зареждане.

Sport Shoes (програма 14) разработена е за пране на спортни обувки; за постигане на по-добри резултати да не се перат повече от 2 чифта.

Програмите за 20° (20° Zone) предлагат добър резултат от изпирането при ниска температура, позволявайки пониско потребление на електроенергия, като с това допринасят за опазването на околната среда и икономическата ефективност. Програмите за 20° отговарят на всички изисквания:

Стандартна програма за памук при 20°C (програма 6) е идеална за замърсено пране от памучна тъкан. Добрите резултати включително при изпиране със студена вода, в сравнение с тези след пране при 40°, са гарантирани от механичното действие с промяна на скоростта, многократно и често достигащо до пикови стойности.

Light Mix (програма 7) е идеална за средно замърсено смесено пране (памук и синтетика). Добрите резултати, включително при изпиране със студена вода, са гарантирани от механичното действие с промяна на скоростта на определени интервали с не голяма продължителност.

20' Refresh (програма 8) е идеална програма за освежаване и изпиране на леко замърсено пране за кратко време. Той трае само 20 минути и по този начин пести енергия и време. Можете да перете едновременно тъкани от различен вид (с изключение на вълна и коприна) с максимално тегло до 1,5 кг.

Задаване на температурата

Завъртайки ключа ТЕМПЕРАТУРА, се задава температурата на пране (вж. Таблица на програмите).

Температурата може да се понижи до пране със студена вода (❄).

Пералнята автоматично ще попречи да се зададе температура, която е по-висока от максималната температура, предвидена за всяка програма.

! Изключение: с избиране на програма 2 температурата може да се повиши до 90°.

Задаване на центрофугата

Завъртайки ключа ЦЕНТРОФУГА, се задава скоростта на центрофугиране за избраната програма.

Максималните предвидени скорости за програмите са:

Програми	Максимална скорост
Памучни	1000 оборота в минута
Синтетични тъкани	800 оборота в минута
Вълна	800 оборота в минута
Коприна,	само източване

Скоростта на центрофугиране може да се намали или да се изключи, като се избере символът Ⓞ.

Пералнята автоматично ще попречи да се центрофугира със скорост, по-висока от максимално предвидената за всяка програма.

Функции

Допълните функции за пране, предвидени в пералната машина, дават възможност за постигане на желаното бяло и чисто пране:

За активиране на възможните функции;

1. натиснете бутона, съответстващ на желаната функция;
2. светването на съответния индикатор показва, че функцията е избрана.

Бележка:

- Ако избраната функция не е съвместима със зададената програма, съответният светлинен индикатор ще мига и функцията няма да се активира.
- Ако избраната функция не е съвместима с друга предварително зададена, светлинният индикатор, съответстващ на първата избрана функция, мига и се активира само втората, като индикаторът на активираната функция светва.

EcoTime

С избирането на тази опция механичните движения, температурата и водата са оптимизирани за пране с намалено зареждане на леко замърсени памучни и синтетични дрехи (вж. „Таблица с програмите“). С “EcoTime” може да се пере за по-кратко време, с намален разход на вода и енергия. Препоръчва се да се използва доза течен перилен препарат, подходяща за количеството на заредения товар.

Energy Saver

Функцията Energy Saver допринася за ограничаване разхода на електроенергия, като не подгрива водата, използвана за измиване на барабана – предимство за околната среда и за сметката за електроенергия. На практика подобрената работа и оптимизираният разход на вода гарантират отлични резултати за същата средна продължителност на стандартния цикъл на изпиране. За постигане на по-добри резултати използвайте течен перилен препарат.

Допълнително изплакване

С избора на тази функция се увеличава ефикасността на изплакването и се гарантира максимално отстраняване на перилния препарат. Подходяща е за особено чувствителна кожа.

Отложен Старт

Забавя пускането на машината до 12 часа.

Натиснете многократно бутона, докато светне индикаторът, съответстващ на желаната стойност за време на забавяне. При петото натискане на бутона функцията няма да е активна.

Забележка: След като веднъж е натиснат бутона START/PAUSE, времето за отлагане на старта може да се промени само с намаляване, като се стигне до пускане на избраната програма.

Перилни препарати и дрехи за пране

BG

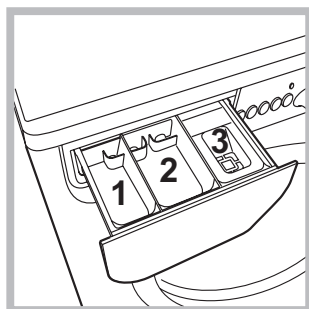
Чекмедже за перилните препарати

Добрият резултат от прането зависи и от правилното дозиране на перилните препарати. с предозиране не се пере по-ефикасно, а това води до отлагане на налепи по вътрешната страна на пералната машина и до замърсяване на околната среда.

! Не използвайте препарати за ръчно пране, защото образуват много пяна.

! Използвайте прахообразни перилни препарати за бели памучни тъкани за предпране и за пране при температура над 60°C.

! Уверете се, че следвате указанията, посочени върху опаковката на перилния препарат.



Изтеглете чекмеджето за перилните препарати и изсипете праха за пране и допълните препарати по следния начин.

отделение 1: Не слагайте перилен препарат в това отделение

отделение 2: Препарат за пране (на прах или течен)
Течният препарат се изсипва преди включването на машината.

отделение 3: Допълнителни препарати (омекотител и др.)
Омекотителят не трябва да излиза извън решетката.

Подготвяне на прането

- Разпределете прането съобразно:
 - типа на тъканите/символа върху етикета.
 - цветовете: отделете цветните от белите дрехи.
- Изпразнете джобовете и проверете копчетата.
- Не надвишавайте указаните стойности в „Таблица с програмите“, отнасящи се за теглото на сухото пране.


Колко тежат дрехите за пране?

- 1 чаршаф 400-500 г
- 1 калъфка 150-200 г
- 1 покривка 400-500 г
- 1 хавлия 900-1200 г
- 1 кърпа 150-250 г

Специфично пране

Коприна: използвайте специалната програма **9** за пране на всички дрехи от коприна. За деликатните тъкани се препоръчва използването на специален вид перилен препарат.

Пердета: препоръчва се да се сгънат и поставят в доставената торбичка. Използвайте програма **9**.

Вълнени тъкани: С програма **10** е възможно да се перат в пералня всякакви вълнени дрехи, също и тези с етикет “само за ръчно пране” . За постигане на по-добри резултати използвайте специален перилен препарат и не надвишавайте 1,5 kg пране.

Jeans: преди пране обърнете дрехите и използвайте само течен перилен препарат. Използвайте програма **11**.

Система за измерване на товара

Преди всяко центрофугиране, с цел избягване на прекалени вибрации и за равномерно разпределяне на товара, барабанът се завърта с малко по-висока от тази при прането скорост. Ако след направените последователни опити товарът все още не е перфектно разпределен, машината извършва центрофугиране при скорост, по-ниска от предвидената. При наличие на прекален дебалансиране пералнята извършва разпределянето вместо центрофугата. За улесняване на по-доброто разпределение на товара и правилното му балансиране се препоръчва да се смесват дрехи за пране с големи и малки размери.

Проблеми и мерки за отстраняването им

Възможно е пералната машина да откаже да работи. Преди да се обадите в сервиза за техническа поддръжка и ремонт (вж. *“Сервизно обслужване”*), проверете дали не става въпрос за лесно решим проблем, като си помогнете със следващия списък.

Проблеми:

Възможни причини / Мерки за отстраняването им:

Пералната машина не се включва.

- Щепселът не е включен към електрически контакт или не е добре включен, за да прави контакт.
- Няма ток вкъщи.

Цикълът на изпиране не започва.

- Люкът не е затворен добре.
- Бутонът ON/OFF не е бил натиснат.
- Бутонът START/PAUSE не е бил натиснат.
- Кранът за вода не е отворен.
- Зададено е забавяне, което се е насложило върху времето за пускане (вж. *“Персонализираня”*).

Пералната машина не се пълни с вода (бързо мига светлинният индикатор за първата фаза на пране).

- Маркучът за студената вода не е свързан към крана.
- Маркучът е прегънат.
- Кранът за вода не е отворен.
- Няма вода по водопроводната мрежа.
- Налягането е недостатъчно.
- Бутонът START/PAUSE не е бил натиснат.

Пералнята непрекъснато се пълни и източва.

- Маркучът за мръсната вода не е монтиран между 65 и 100 см от земята (вж. *“Монтиране”*).
 - Краят на маркуча за мръсната вода е потопен във вода (вж. *“Монтиране”*).
 - Канализационната тръба в стената няма отдушник.
- Ако след тези проверки проблемът не се реши, затворете крана за водата, изключете пералната машина и позвънете в сервиза. Ако жилището ви се намира на последните етажи на сградата, налягането на студената вода може да е ниско, поради което пералната машина непрекъснато се пълни и източва. За избягване на това неудобство в търговската мрежа се предлагат подходящи възвратни клапани.

Пералната не се източва или не центрофугира.

- Програмата не предвижда източване: с някои програми трябва да се извършва ръчно.
- Маркучът за мръсната вода е притиснат (вж. *“Монтиране”*).
- Канализационната тръба е запушена.

Пералната вибрира много по време на центрофугиране.

- При монтажа барабанът не е бил отблокиран правилно (вж. *“Монтиране”*).
- Пералната машина не е нивелирана (вж. *“Монтиране”*).
- Пералната машина е притисната между мебели и стена (вж. *“Монтиране”*).

Пералната има теч.

- Маркучът за студената вода не е добре свързан (вж. *“Монтиране”*).
- Чекмеджето за перилните препарати е запушено (за почистването му вж. *“Поддръжка и почистване”*).
- Маркучът за мръсната вода не е фиксиран добре (вж. *“Монтиране”*).

Светлинните индикатори на “опциите” и светлинният индикатор на “START/PAUSE” мигат и един от светлинните индикатори на “текуща фаза от програмата” и на “блокиран люк” светят постоянно.

- Изключете машината и извадете щепсела от контакта, изчакайте около 1 минута и я включете отново. Ако неизправността не може да се отстрани, потърсете услугите на Сервиза.

Образува се твърде много пяна.

- Перилният препарат не е за автоматична перална (трябва да има надпис “за автоматична перална”, “за пране на ръка и за автоматична перална” или подобен надпис).
- Дозирането е било твърде голямо.

Сервизно обслужване

BG

Преди да се свържете с техническия сервиз:

- Проверете дали можете да решите сами проблема (вж. *“Проблеми и мерки за отстраняването им”*);
- Включете отново програмата, за да проверите дали неизправността е отстранена;
- В противен случай се обърнете към оторизирания технически сервиз на телефонния номер, указан на гаранционната карта.

! Никога не ползвайте услугите на неоторизирани техници.

Съобщете:

- типа на проблема;
- модела на машината (Mod.);
- серийния номер (S/N).

Тази информация се намира на фабричната табелка, разположена на задната страна на пералната машина и в предната част, след като се отвори люкът.

Instruções para utilização

MÁQUINA DE LAVAR ROUPA

PT

Português

IWC 71051

Sumário

Instalação, 74-75

Desembalar e nivelar
Ligações hidráulicas e eléctricas
Primeiro ciclo de lavagem
Dados técnicos

Manutenção e cuidados, 76

Interromper a alimentação de água e de corrente eléctrica
Limpar a máquina de lavar roupa
Limpar a gaveta dos detergentes
Cuidados com a porta de vidro e o tambor
Limpar a bomba
Verificar o tubo de alimentação de água

Precauções e conselhos, 77

Segurança geral
Eliminação

Descrição da máquina de lavar roupa e como iniciar um programa, 78-79

Painel de comandos
Indicadores luminosos
Iniciar um programa

Programas, 80

Tabela dos programas

Personalizações, 81

Selecione a temperatura
Selecione a centrifugação
Funções

Detergentes e roupa, 82

Gaveta dos detergentes
Preparar a roupa
Peças especiais
Sistema de balanceamento da carga

Anomalias e soluções, 83

Assistência, 84

Instalação

PT

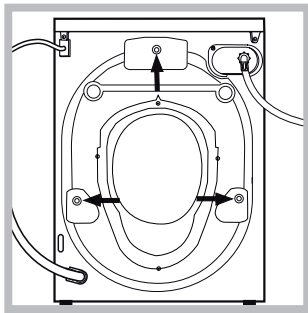
! É importante guardar este manual para poder consultá-lo a qualquer momento. Se a máquina for vendida, cedida ou transferida, certifique-se que este manual permaneça com a máquina para informar o novo proprietário acerca do seu funcionamento e das respectivas advertências.

! Leia com atenção estas instruções: há importantes informações acerca da instalação, da utilização e da segurança.

Desembalar e nivelar

Desembalar

1. Tire a máquina de lavar roupa da embalagem.
2. Verifique se a máquina de lavar roupa sofreu danos no transporte. Se estiver danificada não efectue a sua ligação e contacte o revendedor.



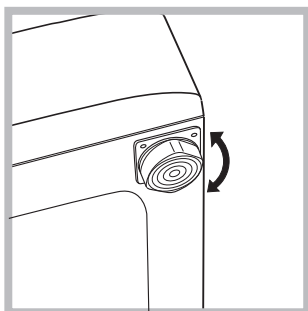
3. Tire os **3** parafusos de protecção para o transporte e a borrachinha com o respectivo calço, situados na parte traseira (veja a figura).

4. Tampe os furos com as tampas em plástico fornecidas.
5. Guarde todas as peças: se for necessário transportar a máquina de lavar roupa, terão de ser montadas outra vez.

! Embalagens não são brinquedos para as crianças!

Nivelamento

1. Instale a máquina de lavar roupa sobre um pavimento plano e rígido, sem encostá-la em paredes, móveis nem outro.

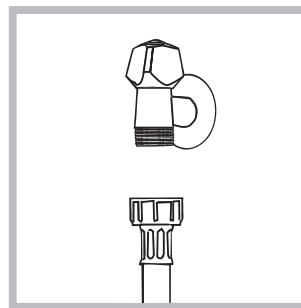


2. Se o pavimento não for perfeitamente horizontal, para compensar qualquer irregularidade, desatarraxe ou atarraxe os pés dianteiros (veja a figura); o ângulo de inclinação, medido no plano de trabalho, não deve ultrapassar 2°.

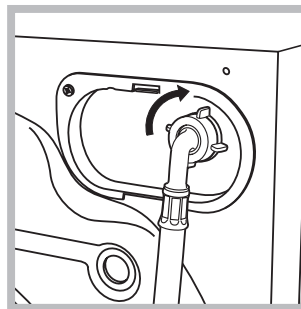
Um cuidadoso nivelamento dá estabilidade à máquina e evita vibrações, ruídos e deslocamentos durante o funcionamento. Se houver tapete ou alcatifa, regule os pés em modo que embaixo da máquina de lavar roupa deixe um espaço suficiente para ventilação.

Ligações hidráulicas e eléctricas

Ligação do tubo de alimentação da água



1. Realize a ligação do tubo de alimentação parafusando-o a uma torneira de água fria com bocal de rosca de 3/4 (veja a figura). Antes de realizar esta ligação, deixe a água escorrer até estar límpida.



2. Ligue o tubo de alimentação na máquina de lavar roupa atarraxando-o no apropriado fornecimento da água, na parte traseira, em cima à direita (veja a figura).

3. Tome cuidado para o tubo não ser dobrado nem esmagado.

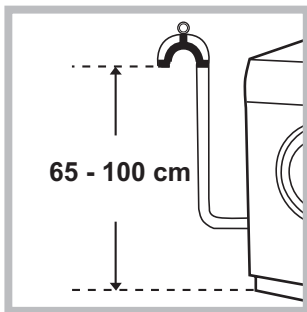
! A pressão hídrica da torneira deve ser entre os valores da tabela dos Dados técnicos (veja a página ao lado).

! Se o comprimento do tubo de alimentação não for suficiente, contacte uma oficina especializada ou um técnico autorizado.

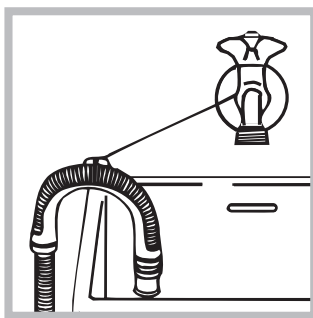
! Nunca utilize tubos já usados.

! Utilize aqueles fornecidos com a máquina.

Ligação do tubo de descarga



Ligue o tubo de descarga, sem dobrá-lo, a um conduto de descarga ou a uma descarga de parede colocados entre 65 e 100 cm do chão.



Em alternativa, apoie o tubo de descarga na beira de um lavatório ou de uma banheira, prendendo a guia (disponível para compra junto do serviço de assistência) à torneira (veja a figura). A ponta solta do tubo de descarga não deve

permanecer emergida na água.

! É desaconselhado empregar tubos de extensão; mas se for indispensável, a extensão deve ter o mesmo diâmetro do tubo original e não medir mais de 150 cm de comprimento.

Ligação eléctrica

Antes de ligar a ficha na tomada eléctrica, certifique-se que:

- a tomada tenha uma ligação à terra e seja nos termos da legislação;
- a tomada tenha a capacidade para suportar a carga máxima de potência da máquina, indicada na tabela dos Dados técnicos (veja ao lado);
- a tensão de alimentação seja entre os valores indicados na tabela dos Dados técnicos (veja ao lado);
- a tomada seja compatível com a ficha da máquina de lavar roupa. Se não for, substitua a tomada ou a ficha.

! Esta máquina de lavar roupa não deve ser instalada ao aberto, nem mesmo abrigada, porque é muito perigoso deixá-la exposta à chuva e às tempestades.

! Depois de ter instalado a máquina de lavar roupa, o acesso à tomada eléctrica deve ser fácil.

! Não empregue extensões nem fichas múltiplas.

! O cabo não deve ser dobrado nem apertado.

! O cabo de alimentação deve ser substituído somente por técnicos autorizados. Atenção! O fabricante declina toda a responsabilidade se estas regras não forem respeitadas.

Primeiro ciclo de lavagem

Depois da instalação, antes de usar, efectue um ciclo de lavagem com detergente mas sem roupa, defina o programa 2.

Dados técnicos

Modelo IWC 71051

Medidas largura 59,5 cm.
altura 85 cm.
profundidade 51,7 cm.

Capacidade de 1 a 7 kg.

Ligações eléctricas Veja a placa das características técnicas colocada na máquina.

Ligações hídricas pressão máxima 1 MPa (10 bars)
pressão mínima 0,05 MPa (0,5 bar)
capacidade do tambor 46 litros

Velocidade da centrifugação até 1000 rotações por minuto

Programas de controlo conforme as Regulamentos 1061/2010 e 1015/2010 Programa 2: programa normal de algodón a 60°C.
Programa 3: programa normal de algodón a 40°C.



Esta aparelhagem é em conformidade com as seguintes Directivas Comunitárias:

- EMC 2014/30/EU (Compatibilidade Electromagnética)
- 2012/19/EU - (WEEE)
- LVD 2014/35/EU (Baixa Tensão)

Manutenção e cuidados

PT

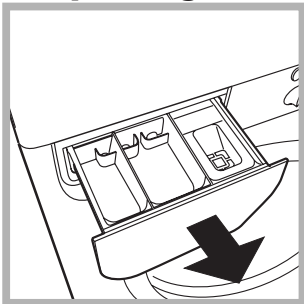
Interromper a alimentação de água e de corrente eléctrica

- Feche a torneira da água depois de cada lavagem. Desta maneira diminuiu-se o desgaste do sistema hidráulico da máquina de lavar roupa e elimina-se o risco de inundação.
- Tire a ficha da tomada eléctrica quando for limpar a máquina de lavar roupa e durante os trabalhos de manutenção.

Limpar a máquina de lavar roupa

A parte externa e as peças em borracha podem ser limpas com um pano molhado com água morna e sabão. Não empregue solventes nem abrasivos.

Limpar a gaveta dos detergentes



Para tirar a gaveta, erga-a e puxe-a para fora (veja a figura). Lave-a com água corrente; esta limpeza deve ser efectuada frequentemente.

Cuidados com a porta de vidro e o tambor

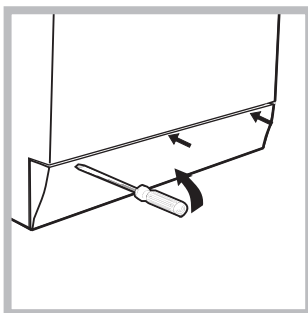
- Deixe a porta sempre entreaberta para evitar que se formem odores desagradáveis.

Limpar a bomba

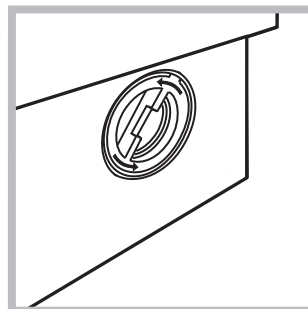
Esta máquina de lavar roupa é equipada com uma bomba com limpeza automática que não precisa de operações de manutenção. Entretanto pode acontecer que pequenos objectos (moedinhas, botões) caiam na pré-câmara que protege a bomba, situada na parte inferior da mesma.

! Certifique-se que o ciclo de lavagem tenha terminado e tire a ficha da tomada.

Para obter acesso à pré-câmara:



1. tire o painel de cobertura da parte dianteira da máquina de lavar roupa com ajuda de uma chave de fendas (veja a figura);



2. desenrosque a tampa girando-a no sentido anti-horário (veja a figura). é normal que perca um pouco de água;

3. limpe o interior com cuidado;
4. enrosque outra vez a tampa;
5. monte outra vez o painel, certifique-se, antes de empurrá-la na máquina, que os ganchos foram colocados nas respectivas ranhuras.

Verificar o tubo de alimentação de água

Verifique o tubo de alimentação pelo menos uma vez por ano. Se houver rachaduras ou fendas, será necessário substituí-lo: durante as lavagens as fortes pressões podem provocar repentinas quebras.

! Nunca utilize tubos já usados.

! Esta máquina de lavar roupa foi projectada e fabricada em conformidade com os regulamentos internacionais de segurança. Estas advertências são fornecidas por razões de segurança e devem ser lidas com atenção.

Segurança geral

- Este aparelho foi projectado exclusivamente para um uso doméstico.
- Este aparelho pode ser utilizado por crianças com mais de 8 anos e por pessoas com capacidades físicas, sensoriais ou mentais reduzidas ou com experiência e conhecimentos insuficientes, caso sejam supervisionadas ou caso tenham recebido instruções adequadas em relação ao uso do aparelho de forma segura, compreendendo os perigos associados. As crianças não devem brincar com o aparelho. A manutenção e limpeza não devem ser efectuadas por crianças sem supervisão.
- Não toque na máquina com os pés descalços nem com as mãos ou os pés molhados ou húmidos.
- Não puxe o cabo eléctrico para tirar a ficha da tomada, pegue a ficha mesmo.
- Não abra a gaveta dos detergentes enquanto a máquina estiver a funcionar.
- Não toque a água de descarga, que poderá chegar a temperaturas altas.
- Em nenhum caso force a porta para abri-la: poderá danificar o mecanismo de segurança que a protege contra aberturas acidentais.
- Se houver avarias, em nenhum caso mexa nos mecanismos internos para tentar reparar.
- Verifique sempre que criança não se aproxime da máquina a funcionar.
- Durante a lavagem a porta de vidro tende a aquecer-se.
- Se for preciso deslocá-la, são precisas pelo menos duas ou três pessoas, com a máxima atenção. Nunca sozinho porque a máquina é muito pesada.
- Antes de colocar a roupa controle que o tambor esteja vazio.

Eliminação

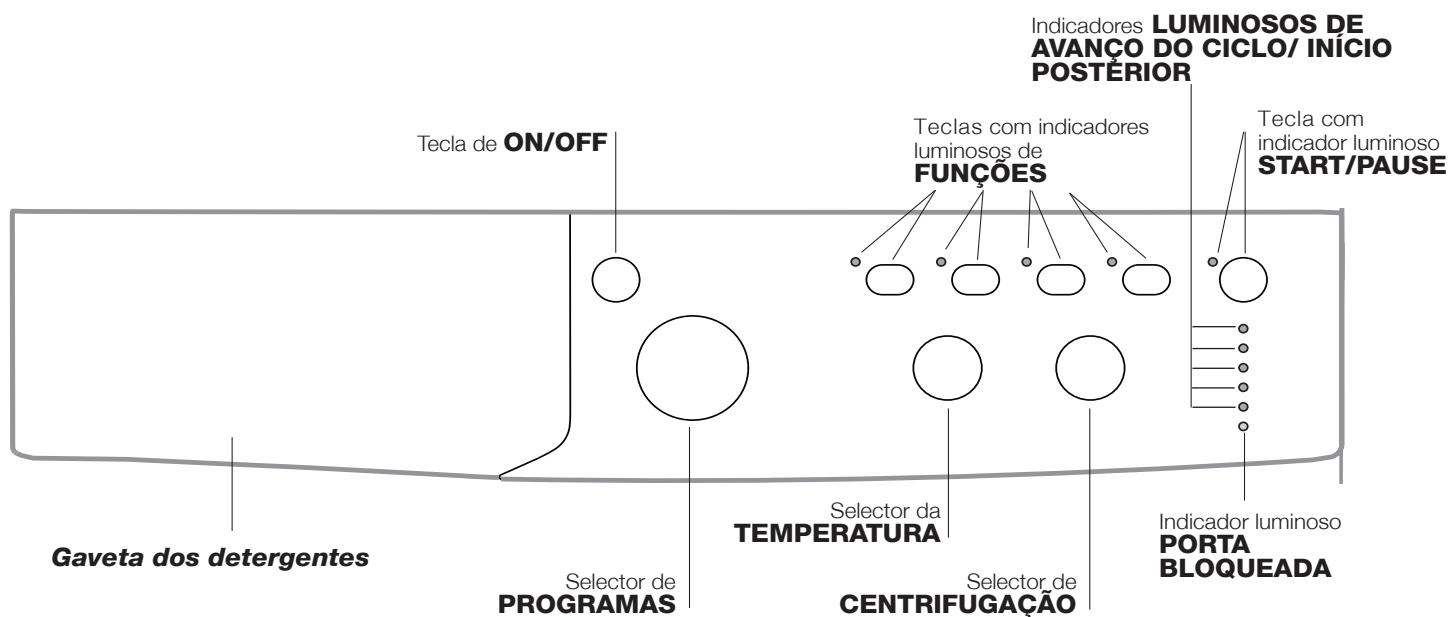
- Eliminação do material de embalagem: obedeça os regulamentos locais, de maneira que as embalagens possam ser reutilizadas.
- A directiva Europeia 2012/19/EU (WEEE) relativa aos resíduos de equipamentos eléctricos e electrónicos prevê que os electrodomésticos não devem ser eliminados no normal fluxo dos resíduos sólidos urbanos. Os aparelhos que deixaram de ser utilizados devem ser recolhidos separadamente para otimizar a taxa de recuperação e reciclagem dos materiais que os compõem e impedir potenciais danos à saúde e ao meio ambiente. O símbolo do contentor de lixo barrado com uma cruz está presente em todos os produtos para lembrar o dever de recolha selectiva. Para mais informações sobre

o correcto desmantelamento dos electrodomésticos, contacte o serviço público especializado ou os revendedores.

Descrição da máquina de lavar roupa e como iniciar um programa

PT

Painel de comandos



Gaveta dos detergentes: para colocar detergentes e aditivos (veja “Detergentes e roupa”).

Tecla de **ON/OFF:** para ligar e desligar a máquina de lavar roupa.

Selector de **PROGRAMAS:** para programar os programas. Durante o programa o selector permanece parado.

Teclas com indicadores luminosos de **FUNÇÕES:** para seleccionar as funções disponíveis. O indicador luminoso correspondente à função seleccionada permanecerá aceso.


Selector de **CENTRIFUGAÇÃO:** para seleccionar a centrifugação ou desactivá-la (veja “Personalizações”).

Selector da **TEMPERATURA:** para definir a temperatura ou a lavagem a frio (veja “Personalizações”).

Indicadores **LUMINOSOS DE AVANÇO DO CICLO/ INÍCIO POSTERIOR:** para seguir o estado do avanço do programa de lavagem.

O indicador luminoso aceso indica a fase em curso. Se tiver sido seleccionada a função “Início posterior”, indicarão o tempo que falta para iniciar o programa (veja a página ao lado).

Indicador luminoso **PORTA BLOQUEADA:** para saber se a porta de vidro pode ser aberta (veja a página ao lado).

Tecla com indicador luminoso **START/PAUSE:** para activar os programas ou interrompê-los momentaneamente. **Obs.:** para colocar em pausa a lavagem em curso, carregar nesta tecla, o respectivo indicador luminoso ficará intermitente com uma luz laranja enquanto aquele da fase em curso ficará aceso fixo. Se o indicador PORTA BLOQUEADA  estiver apagado, será possível abrir a porta de vidro (aguarde aproximadamente 3 minutos). Para fazer iniciar a lavagem do ponto em que foi interrompida, carregar novamente nesta tecla.

Modalidade de Stand by

Esta máquina de lavar e secar roupa, em conformidade com as novas normas sobre a economia energética, dispõe de um sistema de desligação automática (stand by) que entra em função aproximadamente 30 minutos depois, no caso de inutilização. Carregue brevemente no botão ON-OFF e aguarde até a reactivação da máquina.

Consumo em off-mode: 0,5 W

Consumo em Left-on: 8 W

Indicadores luminosos

Os indicadores luminosos fornecem informações importantes.

Vejamos o que significam:

Início posterior

Se tiver sido activada a função “Início posterior” (veja “Personalizações”) depois de ter iniciado o programa, começará a lampejar o indicador luminoso relativo ao atraso seleccionado.

3h 

6h 

9h 

12h 

Com o passar do tempo será mostrado a atraso restante, mediante o respectivo indicador luminoso aceso intermitente:

3h 

6h 

9h 

12h 

Depois de ter passado o tempo de atraso seleccionado, começará o programa estabelecido.

Indicadores luminosos fase em curso

Uma vez seleccionado e iniciado o ciclo de lavagem desejado, os indicadores luminosos se acenderão progressivamente para indicar o estado de avanço:

Lavagem	
Enxaguamento	
Centrifugação	
Descarga	
Final da Lavagem	

Teclas função e respectivos indicadores luminosos

Ao seleccionar uma função o respectivo indicador luminoso se acenderá.


Se a função seleccionada não for compatível com o programa definido, o indicador luminoso se acenderá intermitente e a função não será activada.

Se a função seleccionada não for compatível com uma outra programada anteriormente, o indicador luminoso relativo à primeira função seleccionada irá piscar e será activada somente a segunda, o indicador luminoso da função activada acender-se-á.

Indicador luminoso porta bloqueada

O indicador luminoso aceso indica que a porta está trancada para impedir a aberturas; para abrir a porta é necessário que o indicador luminoso se apague (aguarde aproximadamente 3 minutos). Para abrir a porta durante a realização de um ciclo, carregar no botão START/PAUSE; se o indicador luminoso PORTA BLOQUEADA estiver apagado será possível abrir a porta.

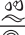



Iniciar um programa

1. Para ligar a máquina de lavar roupa, mete na tecla de ON/OFF. Todos os indicadores luminosos se acenderão por alguns segundos, em seguida apagam-se e ficará intermitente o indicador luminoso START/PAUSE.
2. Coloque a roupa dentro da máquina e feche a porta.
3. Selecciona mediante o selector de PROGRAMAS o programa que desejar.
4. Selecciona a temperatura de lavagem (veja as “Personalizações”).
5. Selecciona a velocidade de centrifugação (veja as “Personalizações”).
6. Colocar detergentes e aditivos (veja “Detergentes e roupa”).
7. Seleccionar as funções desejadas.
8. Iniciar o programa carregando na tecla START/PAUSE e o respectivo indicador luminoso permanecerá aceso fixo de cor verde. Para anular o ciclo programado, colocar a máquina em pausa carregando na tecla START/PAUSE e escolher um novo ciclo.
9. No fim do programa, irá iluminar-se o indicador **END**. Quando o indicador PORTA BLOQUEADA  estiver apagado, será possível abrir a porta de vidro (aguarde aproximadamente 3 minutos). Retire a roupa lavada de dentro e deixe a porta entreaberta para deixar o tambor enxugar-se.

Para desligar a máquina de lavar roupa, mete na tecla de ON/OFF.

Programas

Tabela dos programas

Programas	Descrição do Programa	Temp. max. (°C)	Velocidade max. (rotações por minuto)	Detergentes			Carga max. (Kg)	Humidade residual %	Consumo de energia kWh	Água total lt	Duração ciclo
				Pré-lavagem	Lavagem	Amaciador					
Quotidiano (Daily)											
1	Algodão Pré-lavagem 90°C: peças brancas extremamente sujas.	90°	1000	●	●	●	7	62	1,90	68	155'
2	Programa normal de algodão a 60°C (1): brancos e coloridos resistentes muito sujos.	60° (Max. 90°)	1000	-	●	●	7	62	1,19	52,5	205'
3	Programa normal de algodão a 40°C (2): brancos e coloridos delicados pouco sujos.	40°	1000	-	●	●	7	62	0,81	65	195'
4	Sintéticos: coloridos resistentes muito sujos.	60°	800	-	●	●	3	44	0,78	33	105'
4	Sintéticos (3): coloridos resistentes pouco sujos.	40°	800	-	●	●	3	44	0,49	38	95'
5	Algodão Coloridos: brancos pouco sujos e cores delicadas.	40°	1000	-	●	●	7	62	0,86	56	95'
20° Zone											
6	Programa normal de algodão a 20°C: brancos e coloridos delicados pouco sujos.	20°	1000	-	●	●	7	-	-	-	170'
7	Mix Light	20°	800	-	●	●	7	-	-	-	120'
8	20' Refresh	20°	800	-	●	●	1,5	-	-	-	20'
Programas Especiais (Special)											
9	Seda/Cortinas: para roupas de seda, viscosa, lingerie.	30°	0	-	●	●	1	-	-	-	55'
10	Lã: para lã, cashmere, etc.	40°	800	-	●	●	1,5	-	-	-	70'
11	Jeans	40°	800	-	●	●	3	-	-	-	75'
Sport											
12	Sport Intensive	30°	600	-	●	●	3	-	-	-	85'
13	Sport Light	30°	600	-	●	●	3	-	-	-	60'
14	Special Shoes	30°	600	-	●	●	Max.2 pares	-	-	-	55'
Programas Parciais											
	Enxaguamentos	-	1000	-	-	●	7	-	-	-	36'
	Centrifugação + Descarga	-	1000	-	-	-	7	-	-	-	10'
	Apenas descarga *	-		-	-	-	7	-	-	-	3'

* Ao seleccionar o programa  e excluindo a centrifugação, a máquina efectuará apenas a descarga.

A duração do ciclo indicada no visor ou no manual é uma estimativa calculada com base nas condições padrão. O tempo efectivo poderá variar a depender de vários factores, tais como a temperatura e a pressão da água em entrada, a temperatura ambiental, a quantidade de detergente, a quantidade e o tipo de carga, o balanceamento da carga e as opções adicionais seleccionadas.

1) Programa de controlo segundo a regulamentos 1061/2010: configurar o programa 2 com uma temperatura de 60°C.

Este ciclo é adaptado para lavar uma carga de algodão normalmente suja e é o mais eficiente em termos de consumo combinado de energia e de água, para lavar a 60°C. A temperatura efectiva de lavagem pode ser diferente daquela indicada.

2) Programa de controlo segundo a regulamentos 1061/2010: configurar o programa 3 com uma temperatura de 40°C.

Este ciclo é adaptado para lavar uma carga de algodão normalmente suja e é o mais eficiente em termos de consumo combinado de energia e de água, para lavar a 40°C. A temperatura efectiva de lavagem pode ser diferente daquela indicada.

Para todos Test Institutes:

2) Programa longo para algodão: configurar o programa 3 com uma temperatura de 40°C.

3) Sintético programa junto: configurar o programa 4 com uma temperatura de 40°C.

Sport Intensive (programa 12) foi estudado para lavar tecidos para vestuário desportivo (fatos de treino, calções, etc.) muito sujos; para obter os melhores resultados, recomenda-se não superar a carga máxima indicada na "Tabela dos programas".

Sport Light (programa 13) foi estudado para lavar tecidos para vestuário desportivo (fatos de treino, calções, etc.) pouco sujos; para obter os melhores resultados, recomenda-se não superar a carga máxima indicada na "Tabela dos programas". Recomenda-se o uso de detergente líquido, na dose adequada para a meia carga.

Special Shoes (programa 14) foi estudado para lavar calçados desportivos; para obter os melhores resultados não lave mais de 2 pares por ciclo.

Os programas a 20° (20° Zone) oferecem bons desempenhos de lavagem a baixas temperaturas, proporcionando uma menor utilização de energia eléctrica com maior poupança económica e vantagens para o ambiente.

Os programas a 20° respondem a todas as exigências:

Programa normal de algodão a 20 °C (programa 6) ideal para cargas de algodão sujas. Os bons desempenhos mesmo a frio, comparáveis a uma lavagem a 40°, são garantidos por uma acção mecânica que trabalha com alterações de velocidade em picos repetidos e aproximados.

Mix Light (programa 7) ideal para cargas mistas (algodão e sintéticos) de sujidade média. Os bons desempenhos de lavagem mesmo a frio são garantidos por uma acção mecânica que trabalha com alterações de velocidade em intervalos médios e determinados.

20' Refresh (programa 8) ciclo ideal para refrescar e lavar peças pouco sujas em poucos minutos. Dura apenas 20 minutos e poupa tempo e energia. É possível lavar em conjunto tecidos diferentes (excepto lã e seda) com uma carga máxima de 1,5 kg.

Selecione a temperatura

Gire o selector da TEMPERATURA para seleccionar a temperatura de lavagem (veja a *Tabela dos programas*).

A temperatura pode ser diminuída até a lavagem a frio (❄).

A máquina impedirá automaticamente a configuração de uma temperatura superior à máxima prevista para cada um dos programas.

! Excepção: seleccionando o programa **2** a temperatura pode ser aumentada até a 90°.

Selecione a centrifugação

Gire o selector da CENTRIFUGAÇÃO para seleccionar a velocidade de centrifugação do programa seleccionado.

As velocidades máximas que há para os programas são:

Programas	Velocidade máxima
Algodão	1000 rotações por minuto
Sintéticos	800 rotações por minuto
Lã	800 rotações por minuto

A velocidade de centrifugação pode ser diminuída, ou excluída se seleccionar o símbolo (🌀). A máquina impedirá automaticamente a realização de uma centrifugação superior à máxima de cada um dos programas.

Funções

As várias funções de lavagem da máquina de lavar roupa possibilitam obter-se a limpeza e o branco que desejar.

Para activar as funções:

1. mete na tecla relativa à função desejada;
2. o respectivo indicador luminoso acende-se para avisar que a função está activada.

Observação:

- Se a função seleccionada não for compatível com o programa definido, o indicador luminoso se acenderá intermitente e a função não será activada.
- Se a função seleccionada não for compatível com uma outra programada anteriormente, o indicador luminoso relativo à primeira função seleccionada irá piscar e será activada somente a segunda, o indicador luminoso da função activada acender-se-á.

EcoTime

Ao seleccionar esta opção, a movimentação mecânica, a temperatura e a água serão otimizados para uma carga reduzida de tecidos de algodão e sintéticos pouco sujos (veja a *"Tabela dos programas"*). Com "EcoTime" é possível lavar em pouco tempo, economizando água e energia eléctrica. Aconselha-se usar uma dose de detergente líquido adequada para a quantidade de carga.

Energy Savér

A função Energy Savér contribui com a economia energética não aquecendo a água utilizada para lavar a roupa - uma vantagem tanto para o ambiente, quanto para a factura da energia eléctrica. Com efeito, a acção reforçada e o consumo óptimo da água garantem excelentes resultados na mesma duração média de um ciclo padrão.

Para obter os melhores resultados de lavagem, aconselha-se o uso de detergente líquido.

Enxaguamento Extra

Seleccionando esta opção aumenta-se a eficácia do enxaguamento, e garante-se a máxima remoção do detergente. É útil para quem tem a pele particularmente sensível.

Início posterior

Atrasa o início da máquina de até 12 horas.

Mete várias vezes na tecla até acender-se o indicador luminoso correspondente ao atraso desejado. A quinta vez que carregar na tecla, a função se desactivará.

Obs.: depois de ter carregado na tecla START/PAUSE, será possível mudar o valor do atraso somente para diminuí-lo até iniciar o programa configurado.

Detergentes e roupa

PT

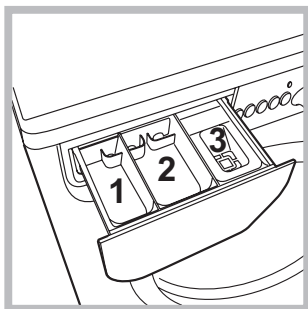
Gaveta dos detergentes

O bom resultado da lavagem depende também do emprego da dose certa de detergente: com excessos não se lava de maneira mais eficaz, mas contribui-se para formar crostas nas peças internas da máquina de lavar roupa e poluir o meio ambiente.

! Não use detergentes para lavagem à mão, porque formam espuma demais.

! Usar detergentes em pó para roupas de algodão brancas e para a pré-lavagem e para lavagens com temperatura superior aos 60°C.

! Seguir as indicações fornecidas pelo produtor na embalagem do detergente.



Tire a gaveta dos detergentes e deite o detergente ou o aditivo da seguinte maneira:

gaveta 1: Detergente para pré-lavagem (em pó)

gaveta 2: Detergente para lavagem (em pó ou líquido)

O detergente líquido deve ser deitado somente depois da máquina ter arrancado.

gaveta 3: Aditivos (amaciador etc.)

O aditivo amaciador não deve ultrapassar a grade.

Preparar a roupa

- Divida a roupa em função:
 - do tipo de tecido / do símbolo na etiqueta.
 - das cores: separe as peças coloridas das brancas.
- Esvazie as algibeiras e verifique se há botões soltos.
- Não ultrapasse os valores indicados na *Tabela dos Programas* que se referem ao peso da roupa enxuta.

Quanto pesa a roupa?

- 1 lençol 400 - 500 g.
- 1 fronha 150 - 200 g.
- 1 toalha de mesa 400 - 500 g.
- 1 roupão 900 - 1200 g.
- 1 toalha de rosto 150 - 250 g.

Programas especiais

Seda: utilize o programa específico **9** para lavar todas as roupas de seda. Aconselha-se o uso de um detergente específico para tecidos delicados.

Cortinas: dobre-as bem e coloque-as dentro de uma fronha ou de um saquinho de rede. Utilize o programa **9**.

Lã: com o programa **10** é possível lavar na máquina todas as roupas de lã, mesmo aquelas com a etiqueta "lavar somente à mão" . Para obter os melhores resultados, use um detergente específico e não supere 1,5 kg de peso.

Jeans: vire do avesso as roupas antes de lavar e use um detergente líquido. Utilize o programa **11**.

Sistema de balanceamento da carga

Antes de cada centrifugação, para evitar vibrações excessivas e para distribuir a carga em modo uniforme, o tambor efectua algumas rotações a uma velocidade levemente superior àquela de lavagem. Se no fim de repetidas tentativas a carga ainda não estiver correctamente balanceada, a máquina efectuará a centrifugação com uma velocidade inferior àquela prevista. No caso de um excessivo desbalanceamento, a máquina de lavar roupa efectuará a distribuição ao invés da centrifugação. Para favorecer uma melhor distribuição da carga e o seu correcto balanceamento, aconselha-se misturar peças grandes com peças pequenas.

Pode acontecer que a máquina de lavar roupa não funcione. Antes de telefonar para a Assistência Técnica (veja “Assistência”), verifique se não se trata de um problema fácil de resolver com ajuda da seguinte lista.

Anomalias:

A máquina de lavar roupa não liga.

Possíveis causas / Solução:

- A ficha não está colocada na tomada eléctrica, ou não é suficiente para haver contacto.
- Em casa não há corrente.

O ciclo de lavagem não inicia.

- A porta de vidro não está bem fechada.
- O botão ON/OFF não foi pressionado.
- O botão START/PAUSE não foi pressionado.
- A torneira da água não está aberta.
- Foi programado um início posterior (veja as “Personalizações”).

A máquina de lavar roupa não carrega a água (o indicador luminoso da primeira fase de lavagem pisca rapidamente).

- O tubo de alimentação de água não está ligado na torneira.
- O tubo está dobrado.
- A torneira da água não está aberta.
- Está a faltar água em casa.
- Não há suficiente pressão.
- O botão START/PAUSE não foi pressionado.

A máquina de lavar roupa carrega e descarrega água continuamente.

- O tubo de descarga não está instalado entre 65 e 100 cm de altura do chão (veja “Instalação”).
- A ponta do tubo de descarga está imersa na água (veja “Instalação”).
- Da descarga na parede não foi sangrado o ar.

Se depois destas verificações o problema não for resolvido, feche a torneira da água, desligue a máquina de lavar roupa e chame a assistência técnica. Se a morada encontrar-se nos últimos andares de um edifício, é possível que aconteçam fenómenos de sifão por causa dos quais a máquina de lavar roupa carrega e descarrega água continuamente. Para eliminar este inconveniente, há a disposição no comércio apropriadas válvulas contra o efeito sifão.

A máquina de lavar roupa não descarrega ou nem realiza centrifugação.

- No programa não há descarga: com alguns programas será necessário iniciar a descarga manualmente.
- O tubo de descarga está dobrado (veja “Instalação”).
- A conduta de descarga está entupida.

A máquina de lavar roupa vibra muito durante a centrifugação.

- O tambor, no momento da instalação, não foi liberado correctamente (veja “Instalação”).
- A máquina não está nivelada (veja “Instalação”).
- A máquina está apertada entre móveis e parede (veja “Instalação”).

Da máquina de lavar roupa está a perder água.

- O tubo de alimentação da água não está bem enroscado (veja “Instalação”).
- O gaveta dos detergentes está entupida (para limpá-la veja “Manutenção e cuidados”).
- O tubo de descarga não está fixado correctamente (veja “Instalação”).

Os indicadores luminosos das “funções” e o indicador luminoso de “START/PAUSE” piscam e um dos indicadores da “fase em curso” e de “porta bloqueada” ficam acesos fixos.

- Desligue a máquina e tire a ficha da tomada, aguarde aproximadamente 1 minuto e volte a ligá-la.
Se a anomalia persistir, contacte a Assistência Técnica.

Está a formar-se demasiada espuma.

- O detergente não é específico para máquina de lavar roupa (deve haver a escrita “para máquina de lavar”, “à mão e para máquina de lavar” ou similares).
- A dose foi excessiva.

PT

Antes de contactar a Assistência Técnica:

- Verifique se consegue resolver a anomalia sozinho (veja “Anomalias e soluções”);
- Reinicie o programa para verificar se o inconveniente foi resolvido;
- Em caso negativo, contacte a o Centro de Assistência técnica autorizada no número de telefone indicado no certificado de garantia.

! Nunca recorra a técnicos não autorizados.

Comunique:

- o tipo de anomalia;
- o modelo da máquina (Mod.);
- o número de série (S/N).

Estas informações encontram-se na placa colocada na parte traseira da máquina de lavar roupa e na parte anterior abrindo a porta de vidro.

Üretici Firma:

Indesit Company Beyaz Eşya
PAZARLAMA A.Ş.
Balmumcu Cad. Karahasan Sok.
No: 11, 34349– Balmumcu
Beşiktaş – İstanbul
Tel: (0212) 355 53 00

Üretici Firma:

Whirlpool EMEA S.p.A.
Socio Unico
via Carlo Pisacane n.1,
20016 Pero (MI) Italy