

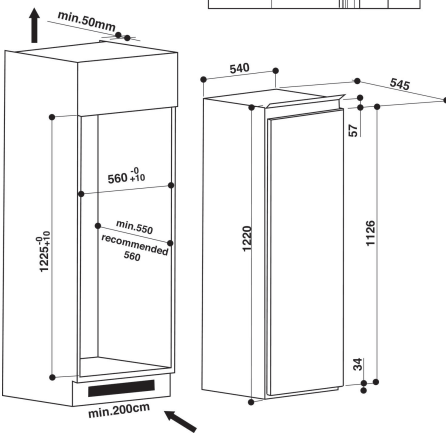
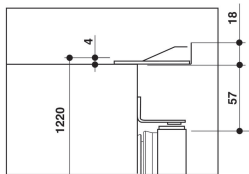
ARG 861/A+

12NC: 853415796000

EAN code: 8003437040214



SENSING THE DIFFERENCE



MAIN FEATURES

| | |
|--|------------------|
| Product group | Chladnický |
| Commercial code | ARG 861/A+ |
| EAN code | 8003437040214 |
| Construction type | Built-in |
| Installation type | Half-integrated |
| Type of control | Electronic |
| Type of control setting and signalling devices | LED |
| Main colour of product | Nerez |
| Connection rating (W) | 80 |
| Current (A) | 16 |
| Voltage (V) | 220-240 |
| Frequency (Hz) | 50 |
| Length of Electrical Supply Cord (cm) | 245 |
| Plug type | Schuko |
| Total unit net capacity (l) | 191 |
| Star Rating | 4 |
| Number of independent cooling systems | 1 |
| Height of the product | 1220 |
| Width of the product | 540 |
| Depth of the product | 545 |
| Depth with open door 90 degree (mm) | - |
| Maximum adjustability feet | 0 |
| Net weight (kg) | 38 |
| Door hinge | Right reversible |

TECHNICAL FEATURES

| | |
|--|--------------------|
| Temperature adjustable | Ano |
| Warning signal / Malfunction | Visual |
| Defrost process fridge section | Automatic |
| Fast cooling switch | Ne |
| Interior ventilator fridge section | Ne |
| Shelves for Bottles | Ne |
| Lockable door | Ne |
| Number of shelves in fridge compartment | 4 |
| Number of Adjustable Shelves in fridge compartment | 3 |
| Material of the shelves | Glass With Profile |
| Thermometer fridge section | None |

ENERGETICKÝ ŠTÍTEK

| | |
|--|-------|
| Energy efficiency class - NEW (2010/30/EC) | A+ |
| Energy consumption annual (kWh/annum) - NEW (2010/30/EC) | 218 |
| Refrigerator Net capacity (l) - NEW (2010/30/EC) | 173 |
| Freezer Net capacity (l) - NEW (2010/30/EC) | 18 |
| Freezing capacity (kg/24h) - NEW (2010/30/EC) | 2 |
| Temperature rise time (h) | 12 |
| Climate class | SN-ST |
| Noise level (dB(A) re 1 pW) | 36 |
| Frost free system | Ne |
| Maximum ambient temperature | 38 |
| Minimum ambient temperature | 10 |
| Other Compartment | - |