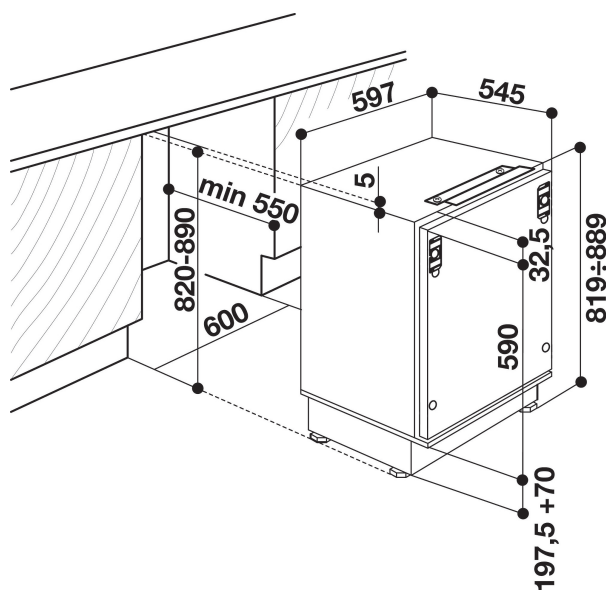


IZ A1.UK.1

12NC: F155634

GTIN (EAN) code: 8050147556344

 **INDESIT**
Life proof.



MAIN FEATURES

| | |
|---------------------------------------|---------------|
| Product group | Freezer |
| Commercial code | IZ A1.UK.1 |
| GTIN (EAN) code | 8050147556344 |
| Construction type | built-in |
| Installation type | Built-under |
| Type of control | Mechanical |
| Main colour of product | Steel |
| Electrical connection rating (W) | 110 |
| Current (A) | 13 |
| Voltage (V) | 220-240 |
| Frequency (Hz) | 50 |
| Length of Electrical Supply Cord (cm) | 200 |
| Plug type | UK |
| Total unit net capacity (l) | 91 |
| Height of the product | 815 |
| Width of the product | 596 |
| Depth of the product | 545 |
| Maximum adjustability feet | 0 |
| Net weight (kg) | 35 |
| Gross weight (kg) | 35.8 |
| Door hinge | - |

TECHNICAL FEATURES

| | |
|--|--------|
| Defrost process | Manual |
| Fast freezing function | No |
| Refrigerator section with thaw water drainage system | No |
| Number of drawers/baskets | 2 |
| Lockable door | No |
| Thermometer freezer section | None |
| Interior light | - |

PERFORMANCES

| | |
|---|------|
| Energy efficiency class - NEW (2010/30/EU) | A+ |
| Freezing capacity (kg/24h) - NEW (2010/30/EU) | 10 |
| Temperature rise time (h) | 27 |
| Climate class | SN-T |
| Frost free system | No |
| Freezer Net capacity (l) - NEW (2010/30/EU) | 91 |