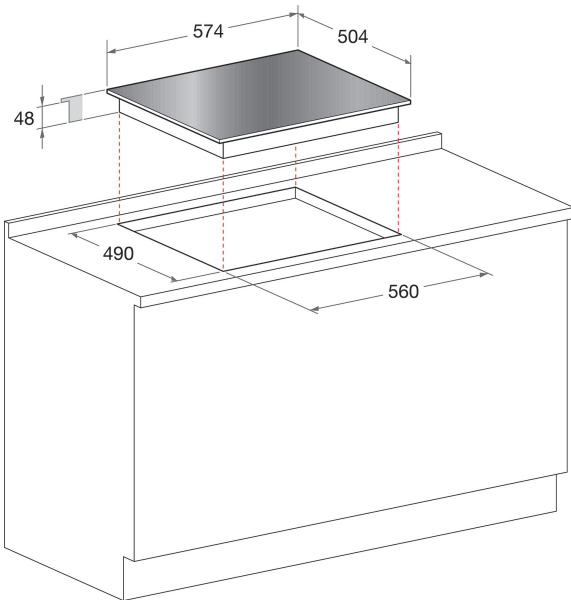


VRB 640 X

12NC: F083887

GTIN (EAN) code: 8007842838879



MAIN FEATURES

Product group	Hob
Construction type	Built-in
Type of control	Electronic
Type of control settings	Touch-control
Number of gas burners	0
Number of electric cooking zones	4
Number of electric plates	0
Number of radiant plates	4
Number of halogen plates	0
Number of induction plates	0
Number of electric warming zones	0
Location of control panel	Front
Basic surface material	Ceramic Glass
Main colour of product	Inox
Electrical connection rating (W)	6700
Gas connection rating (W)	0
Current (A)	29,1
Voltage (V)	220-230
Frequency (Hz)	50/60
Length of Electrical Supply Cord (cm)	100
Plug type	No
Gas connection	N/A
Width of the product	574
Height of the product	48
Depth of the product	504
Minimum niche height	0
Minimum niche width	560
Niche depth	490
Net weight (kg)	8.5
Automatic programmes	No

TECHNICAL FEATURES

Power on indicator	Yes
Number of indicators	-
Type of regulation	Highlight
Type of lid	Without
Residual heat indicator	Separate
Main on/off switch	Yes
Safety device	No
Timer	No

PERFORMANCES

Energy input	Electric
--------------	----------