

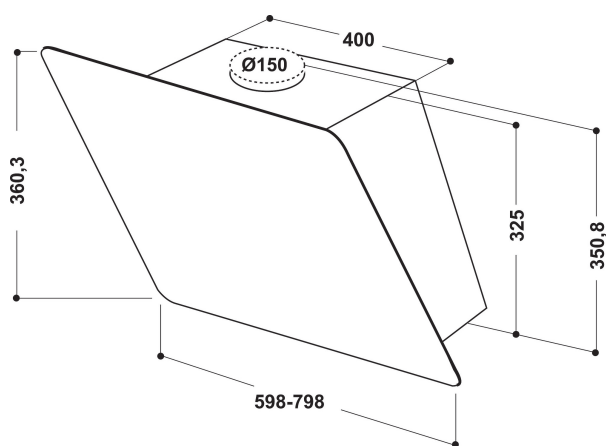
# AKR 039 G BL

12NC: 857803901000

GTIN (EAN) code: 8003437219382

**Whirlpool**

SENSING THE DIFFERENCE



## MAIN FEATURES

Product group	Napa
Colour body	Crna
Material body	Glass
Colour chimney	Crna
Material chimney	Metal
Typology	Manual
Installation type	Samostojeći
Type of control	Electronic
Type of control settings	-
Decor panel options	-
Motor location	Integrated motor in hood body
Operating Mode	Convertible
Electrical connection rating (W)	272
Current (A)	1,2
Voltage (V)	220-240
Frequency (Hz)	50/60
Length of Electrical Supply Cord (cm)	150
Plug type	Schuko
Chimney height (mm)	370-700
Height of product, without chimney (mm)	325
Height of the product	360
Width of the product	798
Depth of the product	326
Minimum niche height	0
Minimum niche width	0
Niche depth	0
Net weight (kg)	14

## TECHNICAL FEATURES

Type of manual control devices	Touch control
Type of automatic control devices	-
Number of motors	1
Total power of the motors (W)	270
Number of speed settings: boost option availability	3
Boost presence	Yes
Maximum output air extraction (m <sup>3</sup> /h)	713
Boost position air extraction (m <sup>3</sup> /h)	713
Maximum output recirculating air (m <sup>3</sup> /h)	464
Boost position output recirculating (m <sup>3</sup> /h)	458
Light Control Type	On/Off
Number of lights	2
Type of lamps used	LED
Total power of the lamps (W)	2
Diameter of air outlet (mm)	150
No-return airflow flap	Ne
Grease filter material	Washable aluminium
Odour filter	Yes

## ENERGY LABEL

Sound power at min. speed (2010/30/EU)	62
Sound power at max. speed (2010/30/EU)	68
Noise level with boost position (dB(A) re 1 pW)	0