

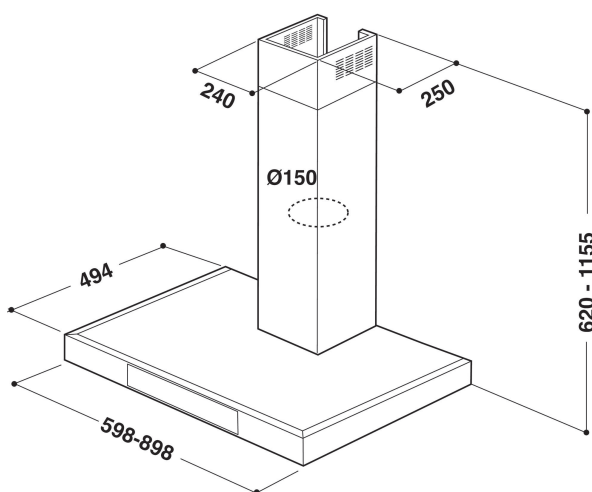
AKR 891 IX

12NC: 857889101000

EAN code: 8003437956546

Whirlpool

SENSING THE DIFFERENCE



MAIN FEATURES

Product group	Odsávače
Colour body	Nerez
Material body	Stainless steel
Colour chimney	-
Material chimney	-
Typology	Chimney
Installation type	Wall-mounted
Type of control	Electronic
Type of control setting and signalling devices	-
Decor panel options	N/A
Motor location	Integrated motor in hood chimney
Operating Mode	Convertible
Connection rating (W)	215
Current (A)	0,9
Voltage (V)	220-240
Frequency (Hz)	50-60
Length of Electrical Supply Cord (cm)	150
Plug type	Schuko
Height of the chimney (mm)	85-620
Height of product, without chimney (mm)	80
Height of the product	1155
Width of the product	898
Depth of the product	494
Minimum niche height	0
Minimum niche width	0
Niche depth	0
Net weight (kg)	23.30

TECHNICAL FEATURES

Type of manual control devices	Touch control
Type of automatic control devices	-
Number of motors	1
Total power of the motors (W)	175
Number of speed settings	4
Boost position	Áno
Maximum output air extraction (m3/h)	593
Boost position air extraction (m3/h)	593
Maximum output recirculating air (m3/h)	382
Boost position output recirculating (m3/h)	382
Light Control Type	On/off
Number of lights	2
Type of lamps used	Halogen
Total power of the lamps (W)	40
Diameter of air outlet (mm)	150
No-return airflow flap	Áno
Grease filter material	Washable aluminium
Odour filter	Áno

ENERGETICKÝ ŠTÍTK

Sound power at min. speed (2010/30/EC)	51
Sound power at max. speed (2010/30/EC)	62
Noise level with boost position (dB(A) re 1 pW)	0