

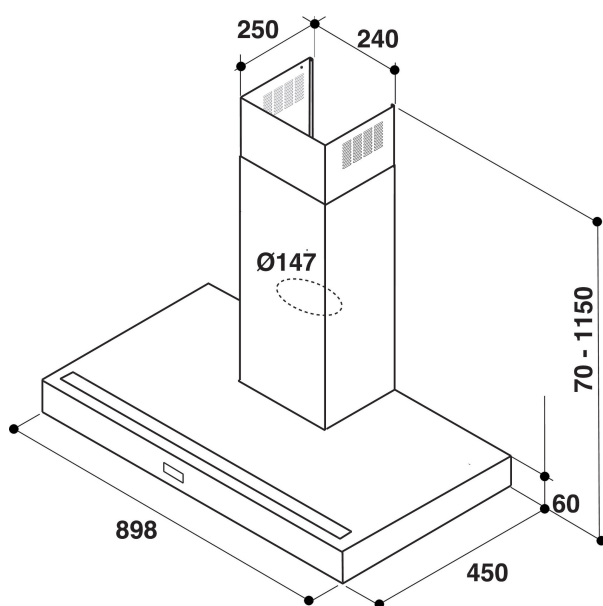
# AKR 471 IX

12NC: 857847101000

GTIN (EAN) code: 8003437216640

**Whirlpool**

SENSING THE DIFFERENCE



## MAIN FEATURES

Product group	SPORÁKOVÉ ODSAVAČE PAR
Colour body	Nerez
Material body	Stainless steel
Colour chimney	Nerez
Material chimney	Stainless steel
Typology	Wall-mounted
Installation type	Wall-mounted
Type of control	Electronic
Type of control settings	-
Decor panel options	N/A
Motor location	Integrated motor in hood chimney
Operating Mode	Convertible
Electrical connection rating (W)	196
Current (A)	0,9
Voltage (V)	220-240
Frequency (Hz)	50/60
Length of Electrical Supply Cord (cm)	150
Plug type	Schuko
Chimney height (mm)	300-730
Height of product, without chimney (mm)	60
Height of the product	1160
Width of the product	898
Depth of the product	450
Minimum niche height	0
Minimum niche width	0
Niche depth	0
Net weight (kg)	21.25

## TECHNICAL FEATURES

Type of manual control devices	Backlit soft buttons
Type of automatic control devices	-
Number of motors	1
Total power of the motors (W)	175
Number of speed settings: boost option availability	3
Boost presence	Ne
Maximum output air extraction (m <sup>3</sup> /h)	581
Boost position air extraction (m <sup>3</sup> /h)	0
Maximum output recirculating air (m <sup>3</sup> /h)	359
Boost position output recirculating (m <sup>3</sup> /h)	0
Light Control Type	On/Off
Number of lights	1
Type of lamps used	Fluorescent
Total power of the lamps (W)	21
Diameter of air outlet (mm)	150
No-return airflow flap	Ano
Grease filter material	Washable aluminium
Odour filter	Ne

## ENERGETICKÝ ŠTÍTEK

Sound power at min. speed (2010/30/EU)	46
Sound power at max. speed (2010/30/EU)	67
Noise level with boost position (dB(A) re 1 pW)	0