

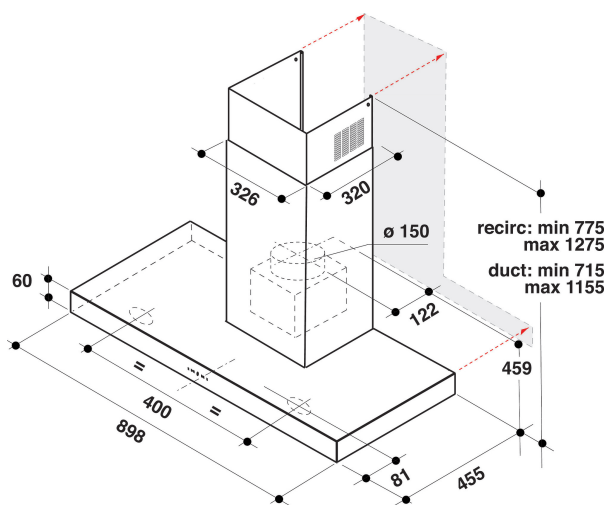
# AKR 758 IXL

12NC: 857875801000

GTIN (EAN) code: 8003437218248

**Whirlpool**

SENSING THE DIFFERENCE



## MAIN FEATURES

Product group	Odsávače
Colour body	Nerez
Material body	iXelium
Colour chimney	Nerez
Material chimney	Stainless steel
Typology	Manual
Installation type	Voľne stojaca
Type of control	Electronic
Type of control settings	-
Decor panel options	N/A
Motor location	Integrated motor in hood chimney
Operating Mode	Convertible
Electrical connection rating (W)	315
Current (A)	1,4
Voltage (V)	220-240
Frequency (Hz)	50
Length of Electrical Supply Cord (cm)	150
Plug type	Schuko
Chimney height (mm)	615-810
Height of product, without chimney (mm)	60
Height of the product	650
Width of the product	900
Depth of the product	455
Minimum niche height	0
Minimum niche width	0
Niche depth	0
Net weight (kg)	19.9

## TECHNICAL FEATURES

Type of manual control devices	Touch control
Type of automatic control devices	-
Number of motors	1
Total power of the motors (W)	310
Number of speed settings: boost option availability	5
Boost presence	Áno
Maximum output air extraction (m <sup>3</sup> /h)	625
Boost position air extraction (m <sup>3</sup> /h)	779
Maximum output recirculating air (m <sup>3</sup> /h)	427
Boost position output recirculating (m <sup>3</sup> /h)	441
Light Control Type	Continuous
Number of lights	2
Type of lamps used	LED
Total power of the lamps (W)	5
Diameter of air outlet (mm)	150
No-return airflow flap	Nie
Grease filter material	Washable stainless steel
Odour filter	Nie

## ENERGETICKÝ ŠTÍTOK

Sound power at min. speed (2010/30/EU)	37
Sound power at max. speed (2010/30/EU)	66
Noise level with boost position (dB(A) re 1 pW)	0