

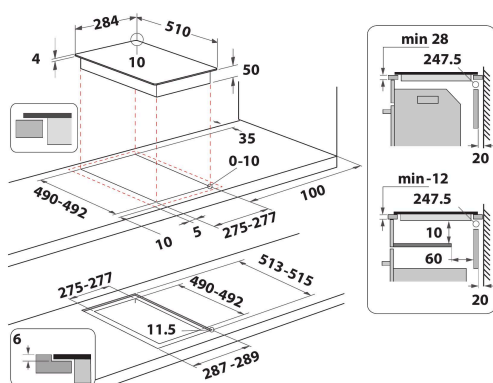
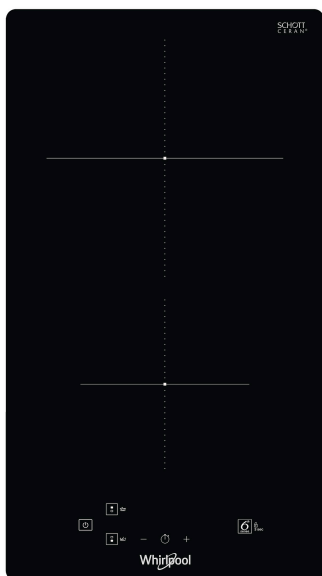
WS Q0530 NE

12NC: 859991589810

GTIN (EAN) code: 8003437604850

Whirlpool

SENSING THE DIFFERENCE



MAIN FEATURES

| | |
|---------------------------------------|------------------|
| Product group | Ploča za kuhanje |
| Construction type | Ugradbeni |
| Type of control | Electronic |
| Type of control settings | - |
| Number of gas burners | 0 |
| Number of electric cooking zones | 2 |
| Number of electric plates | 0 |
| Number of radiant plates | 0 |
| Number of halogen plates | 0 |
| Number of induction plates | 2 |
| Number of electric warming zones | 0 |
| Location of control panel | Front |
| Basic surface material | Ceramic Glass |
| Main colour of product | Crna |
| Electrical connection rating (W) | 3700 |
| Gas connection rating (W) | 0 |
| Gas type | - |
| Current (A) | 16 |
| Voltage (V) | 220-240 |
| Frequency (Hz) | 50/60 |
| Length of Electrical Supply Cord (cm) | 120 |
| Plug type | Ne |
| Gas connection | - |
| Width of the product | 284 |
| Height of the product | 54 |
| Depth of the product | 510 |
| Minimum niche height | 28 |
| Minimum niche width | 275 |
| Niche depth | 490 |
| Net weight (kg) | 5.7 |
| Automatic programmes | Yes |

TECHNICAL FEATURES

| | |
|-------------------------|----------|
| Power on indicator | Yes |
| Number of indicators | 2 |
| Type of regulation | - |
| Type of lid | Without |
| Residual heat indicator | Separate |
| Main on/off switch | Yes |
| Safety device | - |
| Timer | Yes |

ENERGY LABEL

Energy input

Electric