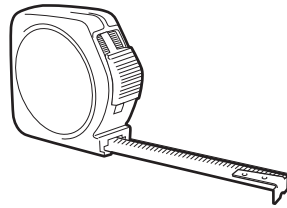


∅ 2mm



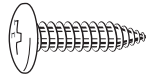
---

A



1x

B



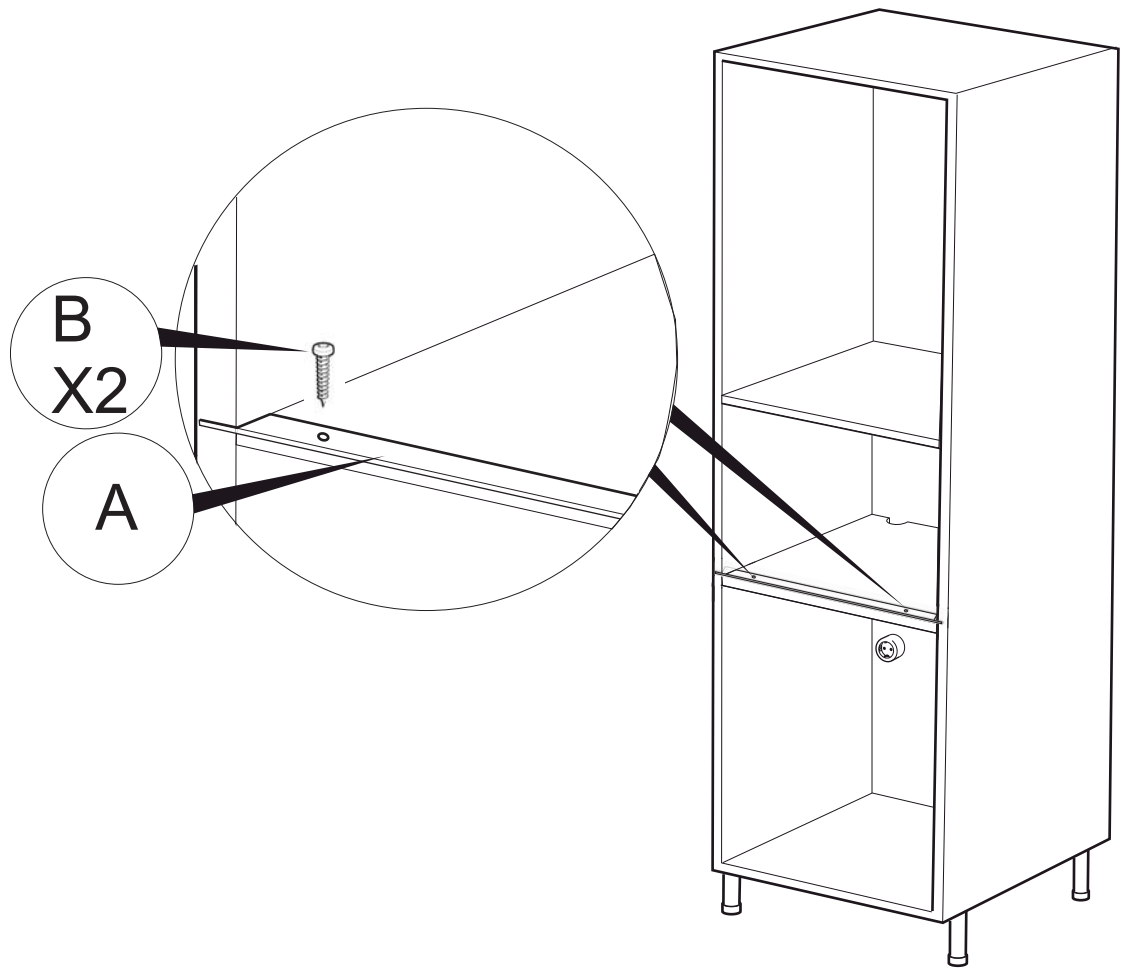
X 2

C

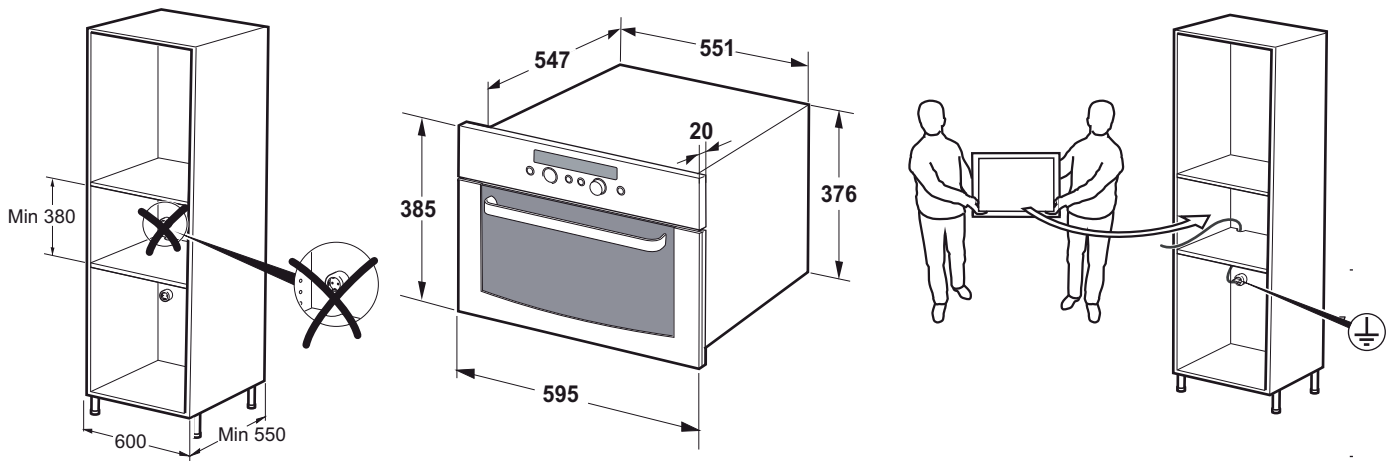


X 2

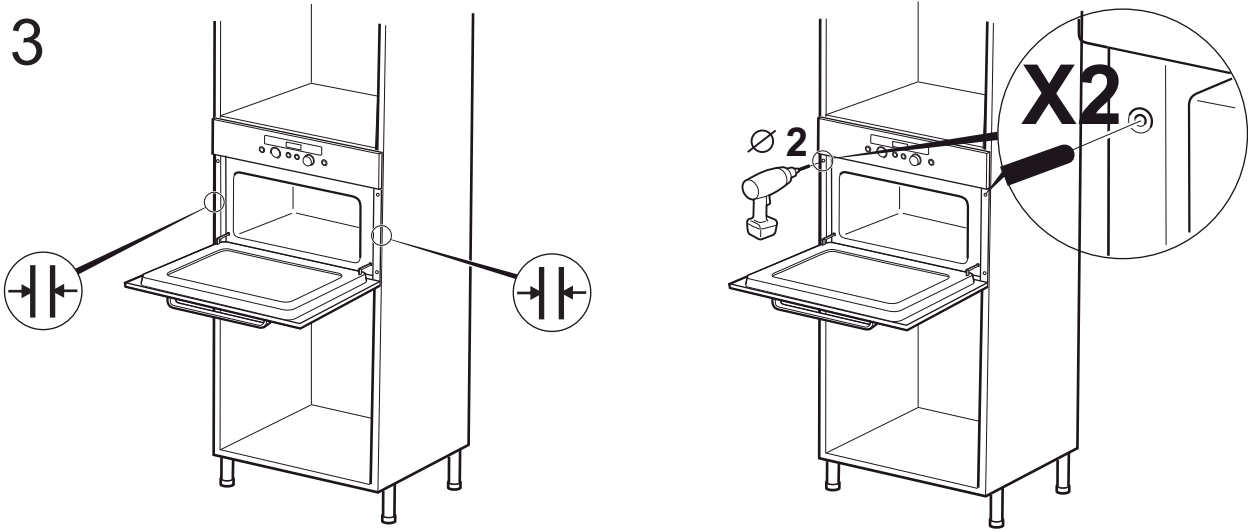
1



2



3



4

