

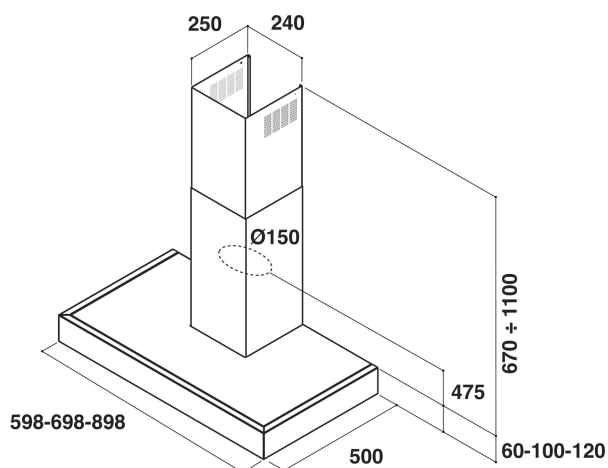
AKR 697 IX

12NC: 857869701000

EAN code: 8003437957321



SENSING THE DIFFERENCE



MAIN FEATURES

Product group	Hood
Colour body	Inox
Material body	Stainless steel
Colour chimney	-
Material chimney	-
Typology	Chimney
Installation type	Wall-mounted
Type of control	Mechanical
Type of control setting and signalling devices	-
Decor panel options	N/A
Motor location	Integrated motor in hood chimney
Operating Mode	Convertible
Connection rating (W)	270
Current (A)	1,2
Voltage (V)	220-240
Frequency (Hz)	50
Length of Electrical Supply Cord (cm)	-
Plug type	Schuko
Height of the chimney (mm)	300-730
Height of product, without chimney (mm)	430
Height of the product	1160
Width of the product	598
Depth of the product	500
Minimum niche height	0
Minimum niche width	0
Niche depth	0
Net weight (kg)	11.90

TECHNICAL FEATURES

Type of manual control devices	Buttons
Type of automatic control devices	-
Number of motors	1
Total power of the motors (W)	120
Number of speed settings	3
Boost position	No
Maximum output air extraction (m3/h)	390
Boost position air extraction (m3/h)	0
Maximum output recirculating air (m3/h)	200
Boost position output recirculating (m3/h)	0
Light Control Type	On/off
Number of lights	2
Type of lamps used	Halogen
Total power of the lamps (W)	40
Diameter of air outlet (mm)	150
No-return airflow flap	Yes
Grease filter material	Washable aluminium
Odour filter	No

PERFORMANCES

Sound power at min. speed (2010/30/EC)	44
Sound power at max. speed (2010/30/EC)	61
Noise level with boost position (dB(A) re 1 pW)	0