

Instructions for use

WASHING MACHINE

GB

GB

English,1

PL

Polski,13

UA

Українська,25

IT

Italiano,37

RU

Русский,49

RO

Română,61

KZ

ҚАЗАҚША,73

WMSD 723

Contents

Installation, 2-3

Unpacking and levelling
Connecting the electricity and water supplies
The first wash cycle
Technical data

Care and maintenance, 4

Cutting off the water or electricity supply
Cleaning the washing machine
Cleaning the detergent dispenser drawer
Caring for the door and drum of your appliance
Cleaning the pump
Checking the water inlet hose

Precautions and tips, 5

General safety
Disposal

Description of the washing machine, 6-7

Control panel
Display

Running a wash cycle, 8

Wash cycles and functions, 9

Table of wash cycles
Wash functions

Detergents and laundry, 10

Detergent dispenser drawer
Preparing the laundry
Special wash cycles
Load balancing system

Troubleshooting, 11

Service, 12

Hotpoint

ARISTON

Installation

GB

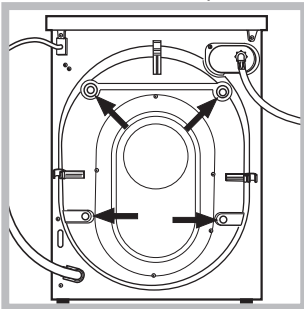
! This instruction manual should be kept in a safe place for future reference. If the washing machine is sold, transferred or moved, make sure that the instruction manual remains with the machine so that the new owner is able to familiarise himself/herself with its operation and features.

! Read these instructions carefully: they contain vital information relating to the safe installation and operation of the appliance.

Unpacking and levelling

Unpacking

1. Remove the washing machine from its packaging.
2. Make sure that the washing machine has not been damaged during the transportation process. If it has been damaged, contact the retailer and do not proceed any further with the installation process.



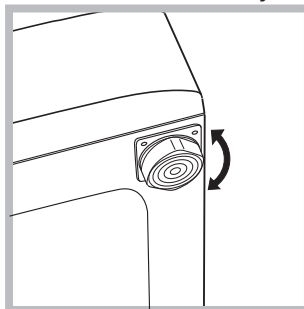
3. Remove the 4 protective screws (used during transportation) and the rubber washer with the corresponding spacer, located on the rear part of the appliance (see figure).

4. Close off the holes using the plastic plugs provided.
5. Keep all the parts in a safe place: you will need them again if the washing machine needs to be moved to another location.

! Packaging materials should not be used as toys for children.

Levelling

1. Install the washing machine on a flat sturdy floor, without resting it up against walls, furniture cabinets or anything else.

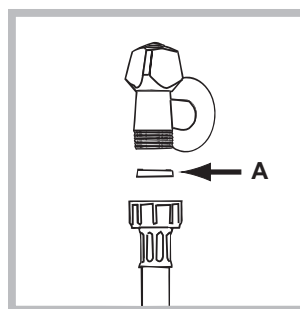


2. If the floor is not perfectly level, compensate for any unevenness by tightening or loosening the adjustable front feet (see figure); the angle of inclination, measured in relation to the worktop, must not exceed 2°.

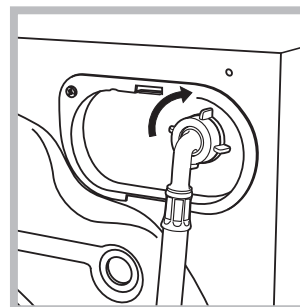
Levelling the machine correctly will provide it with stability, help to avoid vibrations and excessive noise and prevent it from shifting while it is operating. If it is placed on carpet or a rug, adjust the feet in such a way as to allow a sufficient ventilation space underneath the washing machine.

Connecting the electricity and water supplies

Connecting the water inlet hose



1. Insert seal A into the end of the inlet hose and screw the latter onto a cold water tap with a 3/4 gas threaded mouth (see figure). Before making the connection, allow the water to run freely until it is perfectly clear.



2. Connect the inlet hose to the washing machine by screwing it onto the corresponding water inlet of the appliance, which is situated on the top right-hand side of the rear part of the appliance (see figure).

3. Make sure that the hose is not folded over or bent.

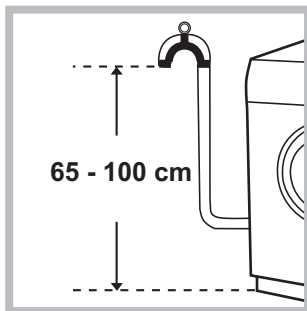
! The water pressure at the tap must fall within the range of values indicated in the Technical data table (see next page).

! If the inlet hose is not long enough, contact a specialised shop or an authorised technician.

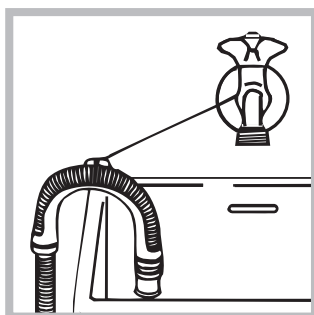
! Never use second-hand hoses.

! Use the ones supplied with the machine.

Connecting the drain hose



Connect the drain hose, without bending it, to a drain duct or a wall drain situated between 65 and 100 cm from the floor;



alternatively, placed it over the edge of a basin, sink or tub, fastening the duct supplied to the tap (see *figure*). The free end of the hose should not be underwater.

! We advise against the use of hose extensions; if it is absolutely necessary, the extension must have the same diameter as the original hose and must not exceed 150 cm in length.

Electrical connections

Before plugging the appliance into the electricity socket, make sure that:

- the socket is earthed and complies with all applicable laws;
- the socket is able to withstand the maximum power load of the appliance as indicated in the Technical data table (see *opposite*);
- the power supply voltage falls within the values indicated in the Technical data table (see *opposite*);
- the socket is compatible with the plug of the washing machine. If this is not the case, replace the socket or the plug.

! The washing machine must not be installed outdoors, even in covered areas. It is extremely dangerous to leave the appliance exposed to rain, storms and other weather conditions.

! When the washing machine has been installed, the electricity socket must remain within easy reach.

- ! Do not use extension cords or multiple sockets.
- ! The cable should not be bent or compressed.
- ! The power supply cable must only be replaced by authorised technicians.

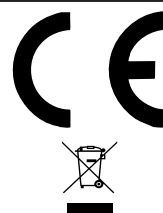
Warning! The company shall not be held responsible in the event that these standards are not observed.

The first wash cycle

Once the appliance has been installed, and before you use it for the first time, run a wash cycle with detergent and no laundry, using wash cycle number "Auto Clean" (see "Cleaning the washing machine").

Technical data

Model	WMSD 723
Dimensions	width 59,5 cm height 85 cm depth 43,5 cm
Capacity	from 1 to 7 kg
Electrical connections	please refer to the technical data plate fixed to the machine
Water connections	maximum pressure 1 MPa (10 bar) minimum pressure 0.05 MPa (0.5 bar) drum capacity 48 litres
Spin speed	up to 1200 rotations per minute
Test wash cycles in accordance with directives 1061/2010 1015/2010	programme (60°) (3rd press of the button); Eco Cotton 60°. programme (40°) (3rd press of the button); Eco Cotton 40°.



This appliance conforms to the following EC Directives:

- 2004/108/EC (Electromagnetic Compatibility)
- 2006/95/EC (Low Voltage)
- 2012/19/EU (WEEE)

Care and maintenance

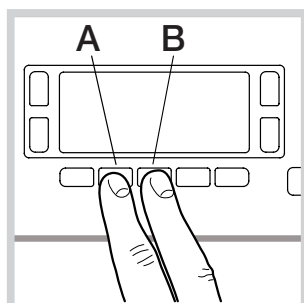
GB

Cutting off the water and electricity supplies

- Turn off the water tap after every wash cycle. This will limit wear on the hydraulic system inside the washing machine and help to prevent leaks.
- Unplug the washing machine when cleaning it and during all maintenance work.

Cleaning the washing machine

- The outer parts and rubber components of the appliance can be cleaned using a soft cloth soaked in lukewarm soapy water. Do not use solvents or abrasives.
- The washing machine has a “Auto Clean” programme for its internal parts that **must be run with no load in the drum**.

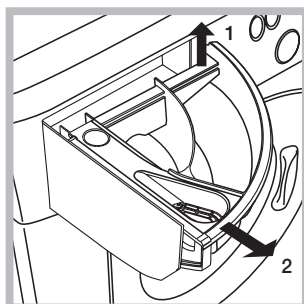


To help the wash cycle you may want to use either the detergent (i.e. a quantity 10% the quantity specified for lightly-soiled garments) or special additives to clean the washing machine. We recommend running a cleaning

programme every 40 wash cycles.

To start the programme press buttons **A** and **B** simultaneously for 5 seconds (see figure). The programme will start automatically and will run for about 70 minutes. To stop the cycle press the START/PAUSE button.

Cleaning the detergent dispenser drawer



Remove the dispenser by raising it and pulling it out (see figure). Wash it under running water; this operation should be repeated frequently.

Caring for the door and drum of your appliance

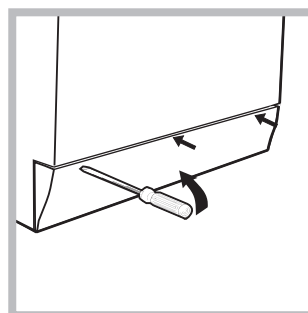
- Always leave the porthole door ajar in order to prevent unpleasant odours from forming.

Cleaning the pump

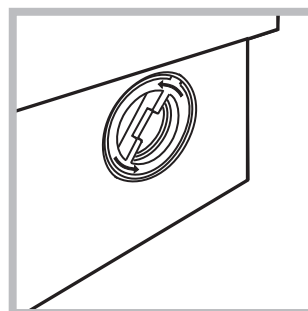
The washing machine is fitted with a self-cleaning pump which does not require any maintenance. Sometimes, small items (such as coins or buttons) may fall into the pre-chamber which protects the pump, situated in its bottom part.

! Make sure the wash cycle has finished and unplug the appliance.

To access the pre-chamber:



1. using a screwdriver, remove the cover panel on the lower front part of the washing machine (see figure);



2. unscrew the lid by rotating it anti-clockwise (see figure): a little water may trickle out. This is perfectly normal;

3. clean the inside thoroughly;
4. screw the lid back on;
5. reposition the panel, making sure the hooks are securely in place before you push it onto the appliance.

Checking the water inlet hose

Check the inlet hose at least once a year. If there are any cracks, it should be replaced immediately: during the wash cycles, water pressure is very strong and a cracked hose could easily split open.

! Never use second-hand hoses.

! This washing machine was designed and constructed in accordance with international safety regulations. The following information is provided for safety reasons and must therefore be read carefully.

General safety

- This appliance was designed for domestic use only.
- This appliance can be used by children aged from 8 years and above and persons with reduced physical, sensory or mental capabilities or lack of experience and knowledge if they have been given supervision or instruction concerning use of the appliance in a safe way and understand the hazards involved. Children shall not play with the appliance. Cleaning and user maintenance shall not be made by children without supervision.
- Do not touch the machine when barefoot or with wet or damp hands or feet.
- Do not pull on the power supply cable when unplugging the appliance from the electricity socket. Hold the plug and pull.
- Do not open the detergent dispenser drawer while the machine is in operation.
- Do not touch the drained water as it may reach extremely high temperatures.
- Never force the porthole door. This could damage the safety lock mechanism designed to prevent accidental opening.
- If the appliance breaks down, do not under any circumstances access the internal mechanisms in an attempt to repair it yourself.
- Always keep children well away from the appliance while it is operating.
- The door can become quite hot during the wash cycle.
- If the appliance has to be moved, work in a group of two or three people and handle it with the utmost care. Never try to do this alone, because the appliance is very heavy.
- Before loading laundry into the washing machine, make sure the drum is empty.

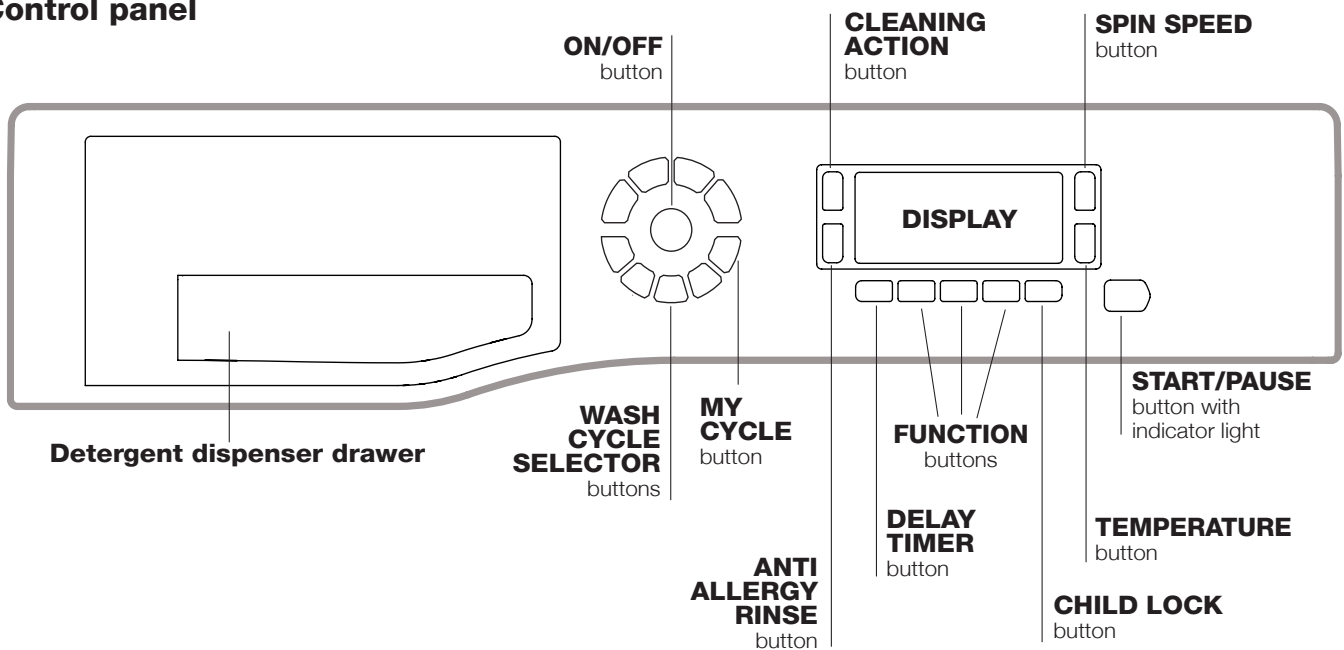
Disposal

- Disposing of the packaging materials: observe local regulations so that the packaging may be re-used.
- The European Directive 2012/19/EU on Waste Electrical and Electronic Equipment, requires that old household electrical appliances must not be disposed of in the normal unsorted municipal waste stream. Old appliances must be collected separately in order to optimise the recovery and recycling of the materials they contain and reduce the impact on human health and the environment. The crossed out "wheeled bin" symbol on the product reminds you of your obligation, that when you dispose of the appliance it must be separately collected. Consumers should contact their local authority or retailer for information concerning the correct disposal of their old appliance.


Description of the washing machine

GB

Control panel



Detergent dispenser drawer: used to dispense detergents and washing additives (see “Detergents and laundry”).

ON/OFF button : press this briefly to switch the machine on or off. The START/PAUSE indicator light, which flashes slowly in a green colour shows that the machine is switched on. To switch off the washing machine during the wash cycle, press and hold the button for approximately 3 seconds; if the button is pressed briefly or accidentally the machine will not switch off. If the machine is switched off during a wash cycle, this wash cycle will be cancelled.


WASH CYCLE SELECTOR buttons: used to set the desired wash cycle (see “Table of wash cycles”).


MY CYCLE button: press and hold the button to store a cycle with your own set of preferences in the memory of the machine. To recall a previously stored cycle, press the MY CYCLE button.



FUNCTION buttons: press the button to select the desired function. The corresponding indicator light on the display will switch on.


CLEANING ACTION button : to select the desired wash intensity.

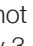
ANTI ALLERGY RINSE button : press to select the desired rinse type.

SPIN button : press to reduce or completely exclude the spin cycle - the value is indicated on the display.

TEMPERATURE button : press to decrease the temperature: the value will be shown on the display.

CHILD LOCK button : to activate the control panel lock, press and hold the button for approximately 2 seconds. When the symbol  is illuminated, the control panel is locked (apart from the ON/OFF button). This means it is possible to prevent wash cycles from being modified accidentally, especially where there are children in the home. To deactivate the control panel lock, press and hold the button for approximately 2 seconds.

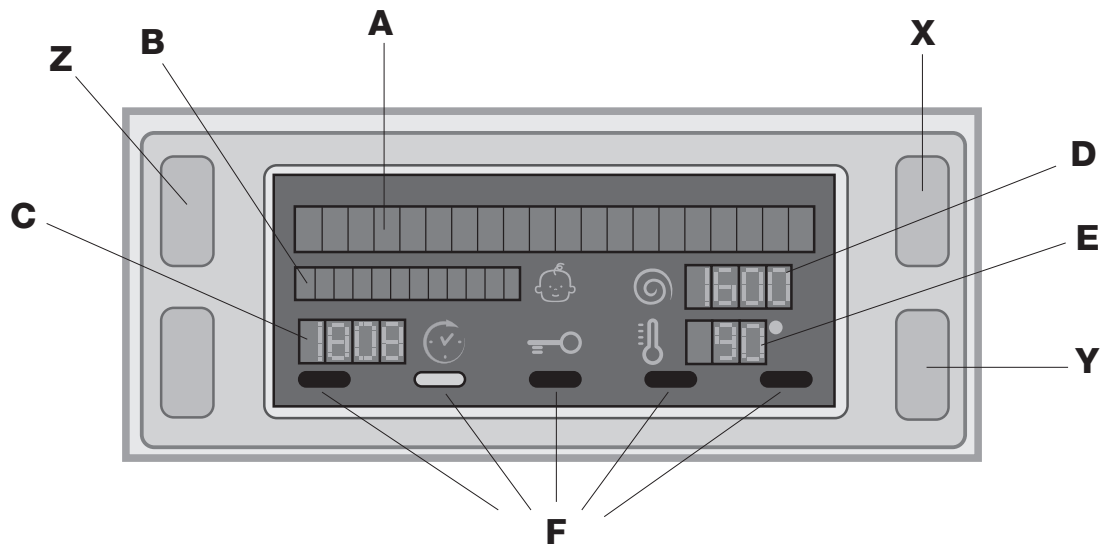
DELAY TIMER button : press to set a delayed start time for the selected wash cycle. The delay time will be shown on the display.

START/PAUSE button with indicator light: when the green indicator light flashes slowly, press the button to start a wash cycle. Once the cycle has started the indicator light will remain lit in a fixed manner. To pause the wash cycle, press the button again; the indicator light will flash in an orange colour. If the symbol  is not illuminated, the door may be opened (wait approximately 3 minutes). To start the wash cycle from the point at which it was interrupted, press the button again.

Standby mode

This washing machine, in compliance with new energy saving regulations, is fitted with an automatic standby system which is enabled after about 30 minutes if no activity is detected. Press the ON-OFF button briefly and wait for the machine to start up again.

Display



The display is useful when programming the machine and provides a great deal of information.

The two upper strings **A** and **B** provide details of the wash cycle selected, the wash cycle phase in progress and all information relating to the progress status of the wash cycle.

String **C** shows the time remaining until the end of the wash cycle in progress and, if a DELAYED START has been set, the time remaining until the start of the selected wash cycle.

String **D** shows the maximum spin speed value (this depends on the selected wash cycle); if the wash cycle does not include a spin cycle, the string remains unused.

String **E** shows the maximum temperature value which may be selected (this depends on the wash cycle used); if the temperature of the wash cycle cannot be modified, the string remains unused.

Indicator lights **F** correspond to the functions and light up when the selected function is compatible with the set wash cycle.

Door locked symbol

If the symbol is lit, this indicates that the washing machine door is blocked to prevent it from being opened accidentally. To prevent any damage from occurring, wait for the symbol to switch itself off before opening the appliance door (wait approximately 3 minutes).

N.B.: if the DELAYE TIMER function has been activated, the door cannot be opened; pauses the machine by pressing the START/PAUSE button if you wish to open it.


! The first time the machine is switched on, you will be asked to select the language and the display will automatically show the language selection menu.




To select the desired language press the **X** and **Y** buttons; to confirm the selection press the **Z** button.


To change the language switch off the machine and press buttons **X**, **Y**, **Z** **simultaneously** until an alarm is heard: the language-selection menu will be displayed again.

Running a wash cycle


GB

1. **SWITCH THE MACHINE ON.** Press the On/Off button ; the text POWER ON will appear on the display and the START/PAUSE indicator light will flash slowly in a green colour.
2. **LOAD THE LAUNDRY.** Open the porthole door. Load the laundry, making sure you do not exceed the maximum load value indicated in the table of programmes on the following page.
3. **MEASURE OUT THE DETERGENT.** Open the detergent dispenser drawer and pour the detergent into the relevant compartments as described in "Detergents and laundry".
4. **CLOSE THE DOOR.**
5. **SELECT THE WASH CYCLE.** Press one of the WASH CYCLE SELECTOR buttons to select the required wash cycle; the name of the wash cycle will appear on the display. A temperature and spin speed is set for each wash cycle; these may be adjusted. The duration of the cycle will appear on the display.
6. **CUSTOMISE THE WASH CYCLE.** Use the relevant buttons:


 **Modifying the temperature and/or spin speed.** The machine automatically selects the maximum temperature and spin speed set for the selected wash cycle; these values cannot therefore be increased. The temperature can be decreased by pressing the  button, until the cold wash "OFF" setting is reached. The spin speed may be progressively reduced by pressing the  button, until it is completely excluded (the "OFF" setting). If these buttons are pressed again, the maximum values are restored.


! Exception: if the  (60°) (1st press of the button) programme is selected, the temperature can be increased up to a value of 90°C.

Setting a delayed start.


To set a delayed start for the selected programme, press the corresponding button repeatedly until the required delay period has been reached. When this option is enabled, the  symbol lights up on the display. To remove the delayed start function press the button until the text "OFF" appears on the display.

Set the desired wash intensity.


Option  makes it possible to optimise washing based on the level of soil in the fabrics and on desired wash cycle intensity.

Select the wash programme: the cycle will be automatically set to "Normal" as optimised for garments with an average level of soil (this setting is not applicable to the "Wool" cycle, which is automatically set to "Delicate"). For heavily-soiled garments press button  until the "Super Wash" level is reached. This level ensures a high-performance wash due to a larger quantity of water used in the initial phase of the cycle and due to increased drum rotation. It is useful when removing the most stubborn stains.

It can be used **with** or **without** bleach. If you wish to bleach the items insert the additional compartment (4) into compartment 1. When pouring the bleach, be careful not to exceed the "max" level marked on the central pivot (see figure pag. 10).

For lightly-soiled garments or a more delicate treatment of the fabrics, press button  until the "Delicate" level is reached. The cycle will reduce the drum rotation to ensure washing results are perfect for delicate garments.

Set the rinse type.

Option  makes it possible to select the desired rinse type for sensitive skin. Press the button once for the "Extra Rinse" level, which makes it possible to select an additional rinse after the standard cycle rinse and remove all traces of detergent. Press the button again for the "Sensitive Skin" level, which makes it possible to select two additional rinses to the standard cycle rinses; it is recommended for very sensitive skin. Press the button for the third time for the "Anti allergy Rinse" level, which makes it possible to select three additional rinses to the standard cycle rinses and remove major allergens such as pollen, mites, cat and dog hair. Press the button again to go back to the "Normal Rinse" rinse type. If the current adjustment can be neither set nor changed, the display will show "Not allowed".

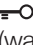

Modifying the cycle settings.

- Press the button to enable the function; the indicator light corresponding to the button will switch on.
- Press the button again to disable the function; the indicator light will switch off.

! If the selected function is not compatible with the programmed wash cycle, the indicator light will flash and the function will not be activated.

! If the selected function is not compatible with another function which has been selected previously, the indicator light corresponding to the first function selected will flash and only the second function will be activated; the indicator light corresponding to the enabled function will remain lit.

! The functions may affect the recommended load value and/or the duration of the cycle.

7. **START THE PROGRAMME.** Press the START/PAUSE button. The corresponding indicator light will become green, remaining lit in a fixed manner, and the door will be locked (the DOOR LOCKED symbol will be on). During the wash cycle, the name of the phase in progress will appear on the display. To change a wash cycle while it is in progress, pause the washing machine using the START/PAUSE button (the START/PAUSE indicator light will flash slowly in an orange colour); then select the desired cycle and press the START/PAUSE button again. To open the door while a cycle is in progress, press the START/PAUSE button; if the DOOR LOCKED  symbol is switched off the door may be opened (wait approximately 3 minutes). Press the START/PAUSE button again to restart the wash cycle from the point at which it was interrupted.
8. **THE END OF THE WASH CYCLE.** This will be indicated by the text "END OF CYCLE" on the display; when the DOOR LOCKED  symbol switches off the door may be opened (wait approximately 3 minutes). Open the door, unload the laundry and switch off the machine.

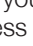
! If you wish to cancel a cycle which has already begun, press and hold the  button. The cycle will be stopped and the machine will switch off.

Table of wash cycles

Wash cycles	Description of the wash cycle	Max. temp. (°C)	Max. speed (rpm)	Detergents				Max. load (kg)	Residual dampness %	Energy consumption kWh	Total water lt	Cycle duration
				Prewash	Wash	Bleach	Fabric softener					
	Anti Stain	40°	1200	●	●	-	●	4	-	-	-	*
	Cottons (1st press of the button): heavily soiled whites and delicate colours.	60° (Max. 90°)	1200	●	●	●	●	7	-	-	-	*
	Cottons (2nd press of the button): lightly soiled whites and delicate colours.	20°	1200	-	●	●	●	7	-	-	-	*
	Eco Cottons 60° (3rd press of the button) (1): heavily soiled whites and delicate colours.	60°	1200	-	●	-	●	7	53	1,02	52,5	200'
	Eco Cottons 40° (3rd press of the button) (2): lightly soiled whites and delicate colours.	40°	1200	-	●	-	●	7	53	0,99	78	175'
	Synths Resistant (1st press of the button): heavily soiled resistant colours.	60°	1000	●	●	●	●	3,5	49	0,91	53	110'
	Synths Resistant (1st press of the button) (3): lightly soiled resistant colours.	40°	1000	●	●	●	●	3,5	-	-	-	*
	Synths Delicate (2nd press of the button): lightly soiled delicate colours.	40°	1000	●	●	●	●	3,5	-	-	-	*
	Fast Wash 60' (1st press of the button): to refresh normal soiled garments quickly (not suitable for wool, silk and clothes which require washing by hand).	60°	1200	-	●	-	●	3,5	-	-	-	*
	Fast Wash 30' (2nd press of the button): to refresh lightly soiled garments quickly (not suitable for wool, silk and clothes which require washing by hand).	30°	800	-	●	-	●	3	71	0,19	39	30'
M	Memory: allows for any wash cycle to be stored.											
	Bed&Bath: washes bathroom laundry and bedlinen.	60°	1200	●	●	-	●	7	-	-	-	*
	Woolmark Platinum (Wool): for wool, cashmere, etc.	40°	800	-	●	-	●	1,5	-	-	-	*
	Delicates	30°	0	-	●	-	●	1	-	-	-	*
	Spin (1st press of the button)	-	1200	-	-	-	-	7	-	-	-	*
	Rinse (2nd press of the button)	-	1200	-	-	-	●	7	-	-	-	*
	Pump out (3rd press of the button)	-	0	-	-	-	-	7	-	-	-	*

* The duration of the wash cycles can be checked on the display.

The length of cycle shown on the display or in this booklet is an estimation only and is calculated assuming standard working conditions. The actual duration can vary according to factors such as water temperature and pressure, the amount of detergent used, the amount and type of load inserted, load balancing and any wash options selected.

1) Test wash cycle in compliance with directive 1061/2010: set wash cycle 60°C (3rd press of the button).

This cycle is designed for cotton loads with a normal soil level and is the most efficient in terms of both electricity and water consumption; it should be used for garments which can be washed at 60°C. The actual washing temperature may differ from the indicated value.

2) Test wash cycle in compliance with directive 1061/2010: set wash cycle 40°C (press TEMPERATURE button).

This cycle is designed for cotton loads with a normal soil level and is the most efficient in terms of both electricity and water consumption; it should be used for garments which can be washed at 40°C. The actual washing temperature may differ from the indicated value.

For all Test Institutes:

2) Long wash cycle for cottons: set wash cycle 60°C (3rd press of the button); temperature of 40°C (press TEMPERATURE button).

3) Long wash cycle for synthetics: set wash cycle 60°C (1st press of the button); temperature of 40°C (press TEMPERATURE button).

Wash functions

! If the selected function is not compatible with the programmed wash cycle, the indicator light will flash and the function will not be activated.

! If the selected function is not compatible with another function which has been selected previously, the indicator light corresponding to the first function selected will flash and only the second function will be activated; the indicator light corresponding to the enabled function will remain lit.

Prewash

If this function is selected, the pre-wash cycle will run; this is useful for removing stubborn stains.

N.B.: put the detergent in the relevant compartment.

Easy Iron

By selecting this function, the wash and spin cycles will be modified in order to reduce the formation of creases.

At the end of the cycle the washing machine will perform slow rotations of the drum; the “Easy Iron” and START/PAUSE indicator lights will flash (orange) and the text “END OF CYCLE” will appear on the display. To end the cycle, press the START/PAUSE button or the “Easy Iron” button.

Eco Wash

The Eco Wash function saves energy by not heating the water used to wash your laundry – an advantage both to the environment and to your energy bill. Instead, intensified wash action and water optimisation ensure great wash results in the same average time of a standard cycle. For the best washing results we recommend the usage of a liquid detergent.

Detergents and laundry

GB

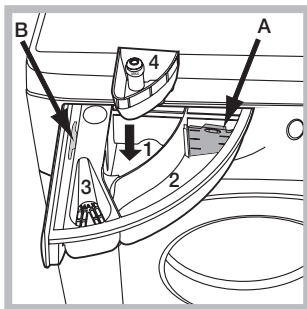
Detergent dispenser drawer

Good washing results also depend on the correct dose of detergent: adding too much detergent will not necessarily result in a more efficient wash, and may in fact cause a build up on the inside of your appliance and contribute to environmental pollution.

! Use powder detergent for white cotton garments, for pre-washing, and for washing at temperatures over 60°C.

! Follow the instructions given on the detergent packaging.

! Do not use hand washing detergents because these create too much foam.



Open the detergent dispenser drawer and pour in the detergent or washing additive, as follows.

compartment 1: Pre-wash detergent (powder)

Before pouring in the detergent, make sure that extra compartment 4 has been removed.

compartment 2: Detergent for the wash cycle (powder or liquid)

If liquid detergent is used, it is recommended that the removable plastic partition **A** (supplied) be used for proper dosage.

If powder detergent is used, place the partition into slot **B**.

compartment 3: Additives (fabric softeners, etc.)

The fabric softener should not overflow the grid.

extra compartment 4: Bleach


Preparing the laundry

- Divide the laundry according to:
 - the type of fabric/the symbol on the label
 - the colours: separate coloured garments from whites.
- Empty all garment pockets and check the buttons.
- Do not exceed the listed values, which refer to the weight of the laundry when dry: see "Table of wash cycles".

How much does your laundry weigh?

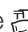
- 1 sheet 400-500 g
- 1 pillow case 150-200 g
- 1 tablecloth 400-500 g
- 1 bathrobe 900-1200 g
- 1 towel 150-250 g

Special wash cycles

Anti Stain : this programme is suitable to heavily-soiled garments with resistant colours. It ensures a washing class that is higher than the standard class (A class). When running the programme, do not mix garments of different colours. We recommend the use of powder detergent. Pre-treatment with special additives is recommended if there are obstinate stains.

Cottons : ideal for lightly soiled cotton loads.

The effective performance levels achieved at cold temperatures, which are comparable to washing at 40°, are guaranteed by a mechanical action which operates at varying speed, with repeated and frequent peaks.


Bed&Bath: use programme  to wash bed linen and towels in one single cycle: it optimises softener performance and helps you save time and energy. We recommend the use of powder detergent.



Wool - Woolmark Apparel Care - Green:

the wool wash cycle of this machine has been approved by The Woolmark Company for the washing of wool garments labelled as "hand wash" provided that the products are washed according to the instructions on the garment label and those issued by the manufacturer of this washing machine (M1253)



In UK, Eire, Hong Kong and India the Woolmark trade mark is a Certification trade mark.

Delicates: use programme  to wash very delicate garments with decorative features, such as diamantes and sequins.

To wash **silk** garments and **curtains** select the cycle  and set the "Delicate" level from option . We recommend turning the garments inside out before washing and placing small items into the special bag for washing delicates. Use liquid detergent on delicate garments for best results.

Load balancing system

Before every spin cycle, to avoid excessive vibrations and to distribute the load in a uniform manner, the drum rotates continuously at a speed which is slightly greater than the washing rotation speed. If, after several attempts, the load is not balanced correctly, the machine spins at a reduced spin speed. If the load is excessively unbalanced, the washing machine performs the distribution process instead of spinning. To encourage improved load distribution and balance, we recommend small and large garments are mixed in the load.

Your washing machine could fail to work. Before contacting the Technical Assistance Centre (see "Assistance"), make sure that the problem cannot be solved easily using the following list.

Problem:

Possible causes / Solutions:

The washing machine does not switch on.

- The appliance is not plugged into the socket fully, or is not making contact.
- There is no power in the house.

The wash cycle does not start.

- The washing machine door is not closed properly.
- The ON/OFF button has not been pressed.
- The START/PAUSE button has not been pressed.
- The water tap has not been opened.
- A delayed start has been set (see "Running a wash cycle").

The washing machine does not take in water (the text "NO WATER, CHECK SUPPLY" appears on the display).

- The water inlet hose is not connected to the tap.
- The hose is bent.
- The water tap has not been opened.
- There is no water supply in the house.
- The pressure is too low.
- The START/PAUSE button has not been pressed.

The washing machine continuously takes in and drains water.

- The drain hose is not fitted at a height between 65 and 100 cm from the floor (see "Installation").
- The free end of the hose is under water (see "Installation").
- The wall drainage system is not fitted with a breather pipe.

If the problem persists even after these checks, turn off the water tap, switch the appliance off and contact the Assistance Service. If the dwelling is on one of the upper floors of a building, there may be problems relating to water drainage, causing the washing machine to fill with water and drain continuously. Special anti-draining valves are available in shops and help to avoid this inconvenience.

The washing machine does not drain or spin.

- The wash cycle does not include draining: some wash cycles require the drain phase to be started manually (see "Wash cycles and functions").
- The EASY IRON function has been activated: To complete the wash cycle, press the START/PAUSE button (see "Wash cycles and functions").
- The drain hose is bent (see "Installation").
- The drainage duct is clogged.

The washing machine vibrates a lot during the spin cycle.

- The drum was not unlocked correctly during installation (see "Installation").
- The washing machine is not level (see "Installation").
- The washing machine is trapped between cabinets and walls (see "Installation").

The washing machine leaks.

- The water inlet hose is not screwed on properly (see "Installation").
- The detergent dispenser drawer is blocked (for cleaning instructions, see "Care and maintenance").
- The drain hose is not fixed properly (see "Installation").

The machine is locked and the display flashes, indicating an error code (e.g. F-01, F-..).

- Switch off the machine and unplug it, wait for approximately 1 minute and then switch it back on again.
If the problem persists, contact the Technical Assistance Service.

There is too much foam.

- The detergent is not suitable for machine washing (it should display the text "for washing machines" or "hand and machine wash", or the like).
- Too much detergent was used.

Service

GB

Before calling for Assistance:

- Check whether you can solve the problem alone (see “Troubleshooting”);
- Restart the programme to check whether the problem has been solved;
- If this is not the case, contact an authorised Technical Assistance Centre using the telephone number provided on the guarantee certificate.

! Always request the assistance of authorised technicians.

Have the following information to hand:

- the type of problem;
- the appliance model (Mod.);
- the serial number (S/N).

This information can be found on the data plate applied to the rear of the washing machine, and can also be found on the front of the appliance by opening the door.

COMMISSION DELEGATED REGULATION (EU) No 1061/2010	
Brand	HOTPOINT/ARISTON
Model	WMSD 723B EU.L
Rated capacity in kg of cotton	7
Energy efficiency class on a scale from A+++ (low consumption) to G (high consumption)	A+++
Energy consumption per year in kWh ¹⁾	173
Energy consumption of the standard 60 °C cotton programme at full load in kWh ²⁾	1.02
Energy consumption of the standard 60 °C cotton programme at partial load in kWh ²⁾	0.585
Energy consumption of the standard 40 °C cotton programme at partial load in kWh ²⁾	0.55
Power consumption of the off-mode in W	0.5
Power consumption of the left-on mode in W	8
Water consumption per year in litres ³⁾	10670
Spin-drying efficacy class on a scale from G (minimum efficacy) to A (maximum efficacy)	B
Maximum spin speed attained ⁴⁾	1200
Remaining moisture content ⁵⁾	53.0%
Programme time of the "standard 60 °C cotton" at full load in minutes	200
Programme time of the "standard 60 °C cotton" at partial load in minutes	150
Programme time of the "standard 40°C cotton" at partial load in minutes	145
Duration of the left-on mode in minutes	30
Noise in dB(A) re 1 pW washing ⁶⁾	58
Noise in dB(A) re 1 pW spinning ⁶⁾	74
Built-in model	

¹⁾ The "standard 60°C cotton" at full and partial load and the "standard 40°C cotton" at partial load are the standard washing programmes to which the information in the label and the fiche relates. Standard 60°C cotton and standard 40°C cotton are suitable to clean normally soiled cotton laundry and are the most efficient programmes in terms of combined energy and water consumption. Partial load is half the rated load.

²⁾ Based on 220 standard washing cycles for cotton programmes at 60°C and 40°C at full and partial load, and the consumption of the low-power modes. Actual energy consumption will depend on how the appliance is used.

³⁾ Based on 220 standard washing cycles for cotton programmes at 60°C and 40°C at full and partial load. Actual water consumption will depend on how the appliance is used.

⁴⁾ For the standard 60 °C at full and partial load or the 40°C at partial whichever is lower.

⁵⁾ Attained for 60 °C cotton at full and partial load or the 40°C at partial whichever is higher.

⁶⁾ Based on washing and spinning phases for the standard 60°C cotton programme at full load.

PL

Polski

WMSD 723

Spis treści

Instalacja, 14-15

Rozpakowanie i wypoziomowanie
Podłączenia hydrauliczne i elektryczne
Pierwszy cykl prania
Dane techniczne

Utrzymanie i konserwacja, 16

Odłączenie wody i prądu elektrycznego
Czyszczenie pralki
Czyszczenie szufladki na środki piorące
Konserwacja okrągłych drzwiczek i bębna
Czyszczenie pompy
Kontrola przewodu doprowadzającego wodę

Zalecenia i środki ostrożności, 17

Ogólne zasady bezpieczeństwa
Utylizacja

Opis pralki, 18-19

Panel sterowania
Wyświetlacz

W jaki sposób wykonać cykl prania, 20

Programy i funkcje, 21

Tabela programów
Funkcje prania

Środki piorące i bielizna, 22

Szufladka na środki piorące
Przygotowanie bielizny
Programy specjalne
System równoważenia ładunku

Nieprawidłowości w działaniu i sposoby ich usuwania, 23

Serwis Techniczny, 24

Hotpoint

ARISTON

PL

Instalacja

PL

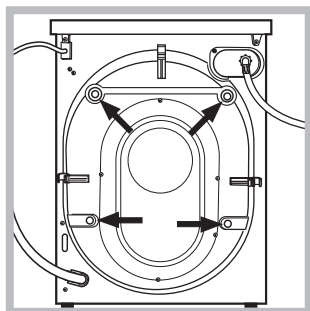
! Należy zachować niniejszą książeczkę, aby móc z niej skorzystać w każdej chwili. W przypadku sprzedaży, odstąpienia lub przeniesienia pralki w inne miejsce należy zadbać o przekazanie instrukcji wraz z nią, aby nowy właściciel mógł się zapoznać z działaniem urządzenia i z dotyczącymi go ostrzeżeniami.

! Należy uważnie przeczytać instrukcję obsługi: zawiera ona ważne informacje dotyczące instalacji oraz właściwego i bezpiecznego użytkowania pralki.

Rozpakowanie i wypoziomowanie

Rozpakowanie

1. Rozpakować pralkę.
2. Sprawdzić, czy nie doznała ona uszkodzeń w czasie transportu. W przypadku stwierdzenia uszkodzeń, nie podłączać pralki i skontaktować się ze sprzedawcą.



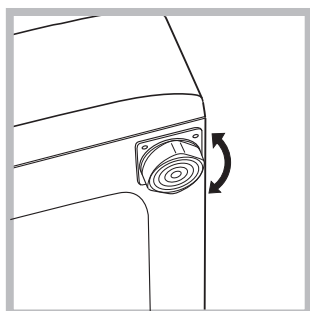
3. Odkręcić 4 śruby zabezpieczające urządzenie na czas transportu oraz zdjąć gumowy element z podkładką, znajdujący się w tylnej części pralki (patrz rysunek).

4. Zatkać otwory przy pomocy plastikowych zaślepek, znajdujących się w wyposażeniu urządzenia.

5. Zachować wszystkie części: w razie konieczności przewiezienia pralki w inne miejsce, powinny one zostać ponownie zamontowane.

! Części opakowania nie są zabawkami dla dzieci.

Poziomowanie



1. Ustawić pralkę na płaskiej i twardej podłodze, nie opierając jej o ściany, meble itp.

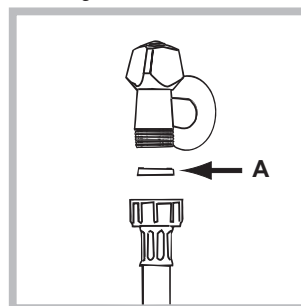
2. Jeśli podłoga nie jest idealnie pozioma, należy skompensować nierówności,

odkręcając lub dokręcając przednie nóżki (patrz rysunek); kąt nachylenia, zmierzony na górnym blacie pralki, nie powinien przekraczać 2°.

Staranne wypoziomowanie pralki zapewnia jej stabilność i zapobiega wibracjom, hałasowi oraz przesuwaniu się urządzenia w czasie pracy. W przypadku ustawienia na dywanie lub wykładzinie dywanowej, należy tak wyregulować nóżki, aby pod pralką pozostawała wolna przestrzeń niezbędna dla wentylacji.

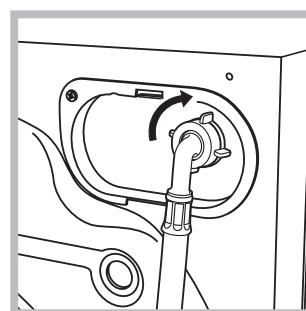
Podłączenia hydrauliczne i elektryczne

Podłączenie przewodu doprowadzającego wodę



1. Wsunąć uszczelkę A do końcówki rury pobierania wody i przykręcić ją do kurka zimnej wody o gwintowanym otworze 3/4" (zobacz rysunek). Przed podłączeniem spuszczać wodę do momentu, aż stanie się

ona całkowicie przezroczysta.



2. Podłączyć do urządzenia przewód doprowadzający wodę, przykręcając go do odpowiedniego przyłącza wody, znajdującego się w tylnej części pralki, z prawej strony u góry (patrz rysunek).

3. Zwrócić uwagę, aby przewód nie był pozaginany ani przygnieciony.

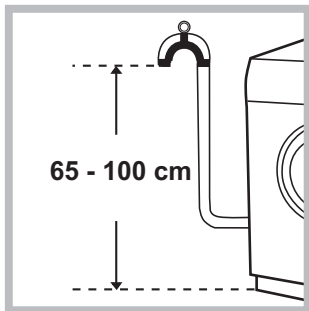
! Ciśnienie wody w kurku powinno mieścić się w przedziale podanym w tabeli Danych technicznych (patrz strona obok).

! Jeśli długość przewodu doprowadzającego wodę jest niewystarczająca, należy zwrócić się do specjalistycznego sklepu lub do autoryzowanego technika.

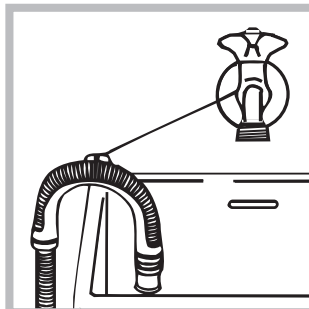
! Nigdy nie instalować przewodów, które były już używane.

! Stosować przewody znajdujące się w wyposażeniu urządzenia.

Podłączenie przewodu odpływowego



Podłączyć przewód odpływowy, nie zginając go, do rury ściekowej lub do otworu odpływowego w ścianie, które powinny się znajdować na wysokości od 65 do 100 cm od podłogi; albo oprzeć go na brzegu zlewu lub wanny, przymocowując do kranu prowadnik, znajdujący się w wyposażeniu pralki (patrz rysunek). Wolny koniec przewodu odpływowego nie powinien być zanurzony w wodzie.



! Odradza się używanie rur przedłużających; jednak jeśli jest to konieczne, przedłużacz powinien mieć taki sam przekrój, jak oryginalna rura, a jego długość nie powinna przekraczać 150 cm.

Podłączenie elektryczne

Przed włożeniem wtyczki do gniazdka elektrycznego należy się upewnić, czy:

- gniazdko posiada uziemienie i jest zgodne z obowiązującymi przepisami;
- gniazdko jest w stanie wytrzymać maksymalne obciążenie mocy urządzenia, wskazane w tabeli Danych technicznych (patrz obok);
- napięcie zasilania mieści się w wartościach wskazanych w tabeli Danych technicznych (patrz obok);
- gniazdko pasuje do wtyczki pralki. W przeciwnym razie należy wymienić gniazdko lub wtyczkę.

! Nie należy instalować pralki na otwartym powietrzu, nawet w osłoniętym miejscu, gdyż wystawienie urządzenia na działanie deszczu i burz jest bardzo niebezpieczne.

! Po zainstalowaniu pralki gniazdko elektryczne powinno być łatwo dostępne.

! Nie używać przedłużaczy ani rozgałęźników.



! Kabel nie powinien być pozginany ani przegniewiony.

! Przewód zasilania elektrycznego może być wymieniany wyłącznie przez autoryzowanych techników.

Uwaga! Producent nie ponosi żadnej odpowiedzialności, jeśli powyższe zasady nie będą przestrzegane.

Pierwszy cykl prania

Po zainstalowaniu pralki, przed przystąpieniem do jej użytkowania, należy wykonać jeden cykl prania ze środkiem piorącym, ale bez wsadu, nastawiając program "OPCJA CZYSZCZENIA PRALKI" (patrz "Czyszczenie pralki").

Dane techniczne	
Model	WMSD 723
Wymiary	szerokość cm 59,5 wysokość cm 85 głębokość cm 43,5
Pojemność	od 1 do 7 kg
Dane prądu elektrycznego	dane techniczne umieszczone są na tabliczce na maszynie
Dane sieci wodociągowej	Maksymalne ciśnienie 1 MPa (10 barów) ciśnienie minimalne 0,05 MPa (0,5 barów) pojemność bębna 48 litrów
Szybkość wirowania	do 1200 obrotów na minutę
Programy testowe zgodnie z dyrektywami 1061/2010 i 1015/2010	Program (60°) (3. naciśnięcie przycisku); Eco Bawełna 60°C. Program (40°) (3. naciśnięcie przycisku); Eco Bawełna 40°C.
 	Urządzenie to zostało wyprodukowane zgodnie z następującymi przepisami CE: - 2004/108/CE (o Kompatybilności Elektromagnetycznej) - 2012/19/EU (WEEE) - 2006/95/CE (o Niskim Napięciu)

Utrzymanie i konserwacja

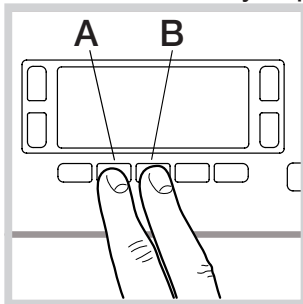
PL

Odlączenie wody i prądu elektrycznego

- Zamknąć kurek dopływu wody po każdym praniu. W ten sposób zmniejsza się zużycie instalacji hydraulicznej pralki oraz eliminuje się niebezpieczeństwo wycieków.
- Przed przystąpieniem do czyszczenia pralki oraz do czynności konserwacyjnych wyjąć wtyczkę z gniazdka.

Czyszczenie pralki

- Obudowę zewnętrzną i gumowe części pralki można myć ściereczką zmoczoną w letniej wodzie z mydłem. Nie stosować rozpuszczalników ani ściernych środków czyszczących.
- Pralka jest wyposażona w program "OPCJA CZYSZCZENIA PRALKI" części wewnętrznych, który należy przeprowadzać **nie wprowadzając niczego do kosza pralki**. Środek piorący (w ilości równej 10% ilości zalecanej dla lekko zabrudzonej odzieży) lub dodatki przeznaczone specjalnie do czyszczenia pralek, mogą zostać użyte jako środki pomocnicze podczas programu czyszczenia. Zaleca się przeprowadzanie programu czyszczenia co 40 cykli prania.

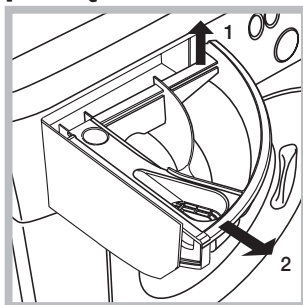


W celu uruchomienia programu, należy nacisnąć przycisk **A** przez 5 sek. (zob. rysunek).

Program rozpocznie się automatycznie i będzie trwał około 70 minut. W celu zakończenia cyklu,

należy nacisnąć przycisk START/PAUSE.

Czyszczenie szufladki na środki piorące



Wysunąć szufladkę, unosząc ją lekko ku górze i wyciągając na zewnątrz (patrz rysunek).

Wypłukać szufladkę pod bieżącą wodą. Czynność tę należy wykonywać stosunkowo często.

Konserwacja okrągłych drzwiczek i bębna

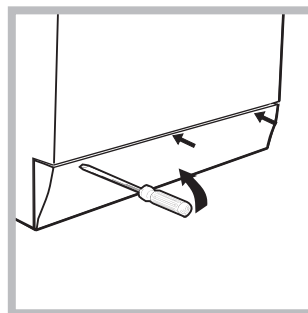
- Drzwiczki pralki należy zawsze pozostawiać uchylone, aby zapobiec tworzeniu się nieprzyjemnych zapachów.

Czyszczenie pompy

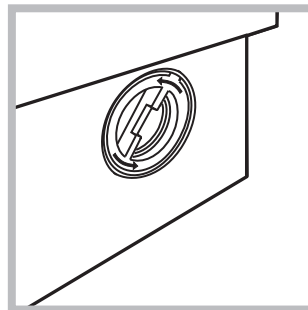
Pralka wyposażona jest w pompę samoczyszczącą, która nie wymaga zabiegów konserwacyjnych. Może się jednak zdarzyć, że drobne przedmioty (monety, guziki) wpadną do komory wstępnej zabezpieczającej pompę, która znajduje się w jej dolnej części.

! Należy się upewnić, że cykl prania został zakończony i wyjąć wtyczkę z gniazdka.

Aby dostać się do komory wstępnej:



1. zdjąć panel pokrywy z przedniej strony pralki przy pomocy śrubokrętu (patrz rysunek);



2. odkręcić pokrywę, obracając ją w kierunku przeciwnym do ruchu wskazówek zegara (patrz rysunek): wypłynięcie niewielkiej ilości wody jest normalnym zjawiskiem;

3. dokładnie wyczyścić wnętrze;
4. ponownie przykręcić pokrywę;
5. ponownie założyć panel upewniwszy się, przed dociśnięciem go do maszyny, czy zatrzaski zostały umieszczone w odpowiednich otworach.

Kontrola przewodu doprowadzającego wodę

Przynajmniej raz w roku należy sprawdzić przewód doprowadzający wodę. Jeśli widoczne są na nim pęknięcia i rysy, należy go wymienić: w trakcie prania duże ciśnienie może bowiem spowodować jego nagłe zerwanie.

! Nigdy nie instalować już używanych przewodów.

! Pralka została zaprojektowana i wyprodukowana zgodnie z międzynarodowymi normami bezpieczeństwa. Niniejsze ostrzeżenia zostały tu zamieszczone ze względów bezpieczeństwa i należy je uważnie przeczytać.

Ogólne zasady bezpieczeństwa

- Urządzenie to zostało zaprojektowane wyłącznie do użytkowania w warunkach domowych.
- Z niniejszego urządzenia mogą korzystać dzieci powyżej 8 roku życia i osoby o ograniczonych zdolnościach fizycznych, zmysłowych bądź umysłowych, jak również osoby nieposiadające doświadczenia lub znajomości urządzenia, jeśli znajdują się one pod nadzorem innych osób lub jeśli zostały pouczone na temat bezpiecznego sposobu użycia urządzenia oraz zdają sobie sprawę ze związanych z nim zagrożeń. Dzieci nie powinny bawić się urządzeniem. Prace związane z czyszczeniem i konserwacją nie mogą być wykonywane przez dzieci, jeśli nie są one nadzorowane.
- Nie dotykać pralki stojąc przy niej boso lub mając mokre lub wilgotne ręce albo stopy.
- Nie wyjmować wtyczki z gniazdka ciągnąc za kabel, należy trzymać za wtyczkę.
- W trakcie pracy maszyny nie otwierać szufladki na środki piorące.
- Nie dotykać odprowadzanej wody, gdyż może ona być bardzo gorąca.
- W żadnym wypadku nie otwierać na siłę drzwiczek pralki: grozi to uszkodzeniem mechanizmu zabezpieczającego drzwiczki przed przypadkowym otwarciem.
- W razie wystąpienia usterki nie należy w żadnym wypadku ingerować w wewnętrzne części pralki z zamiarem samodzielnego dokonania naprawy.
- Zawsze uważać, aby dzieci nie zbliżyły się do pracującej pralki.
- W czasie prania drzwiczki pralki nagrzewają się.
- Jeśli trzeba przenieść pralkę w inne miejsce, należy to robić bardzo ostrożnie, w dwie lub trzy osoby. Nigdy nie należy samodzielnie przenosić urządzenia, gdyż jest ono bardzo ciężkie.
- Przed włożeniem bielizny sprawdzić, czy bęben jest pusty.

Utylizacja

- Utylizacja opakowania: stosować się do lokalnych przepisów, dzięki temu opakowanie będzie mogło zostać ponownie wykorzystane.
- Dyrektywa europejska 2012/19/EU dotycząca odpadów urządzeń elektrycznych i elektronicznych przewiduje, że elektryczne urządzenia gospodarstwa domowego nie powinny być utylizowane w normalnym ciągu utylizacji stałych odpadów miejskich. Stare urządzenia powinny być zbierane oddzielnie, aby zoptymalizować

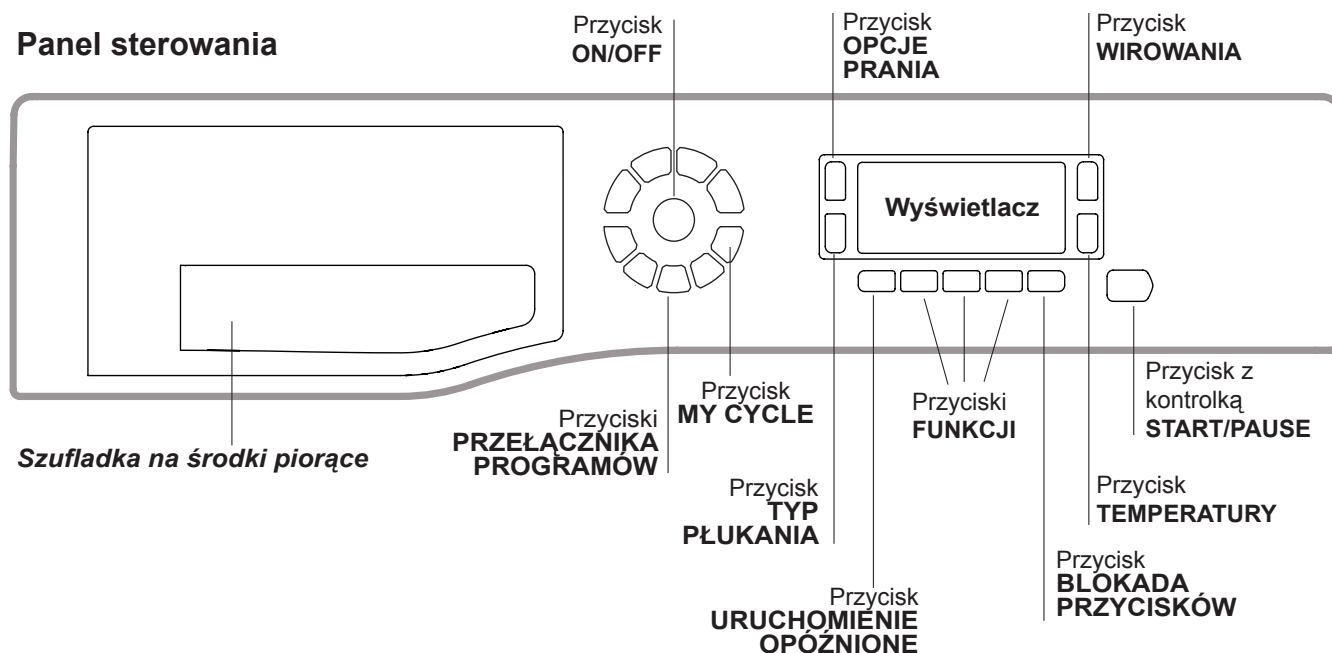
stopień odzysku i recykulacji materiałów, z których są one zbudowane, oraz aby zapobiec potencjalnym szkodom dla zdrowia i środowiska. Symbol przekreślonego kosza jest umieszczony na wszystkich produktach w celu przypomnienia o obowiązku ich segregacji.

Właściciele urządzeń gospodarstwa domowego mogą uzyskać dodatkowe informacje dotyczące ich prawidłowej utylizacji, zwracając się do odpowiednich służb publicznych lub do sprzedawców tych urządzeń.


Opis pralki

PL

Panel sterowania



Szufładka na środki piorące: do dozowania środków piorących i dodatków (patrz „Środki piorące i bielizna”).

Przycisk **ON/OFF** : nacisnąć krótko przycisk w celu włączenia lub wyłączenia maszyny. Kontrolka **START/PAUSE**, która pulsuje powoli w kolorze zielonym wskazuje, że maszyna jest włączona. W celu wyłączenia pralki podczas prania konieczne jest dłuższe przytrzymanie naciśniętego przycisku, przez około 3 sek.; krótkie lub przypadkowe naciśnięcie nie wystarczy do wyłączenia maszyny. Wyłączenie maszyny podczas trwającego prania anuluje program prania.


Przyciski **PRZEŁĄCZNIKA PROGRAMÓW**: w celu wybrania potrzebnego programu (patrz „Tabela programów”).

Przycisk **MY CYCLE**: przytrzymać naciśnięty przycisk w celu zapisania w pamięci cyklu oraz własnych preferowanych personalizacji. W celu przywołania cyklu zapisanego uprzednio należy nacisnąć przycisk **MY CYCLE**.

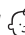

Przyciski **FUNKCJI**: nacisnąć przycisk w celu wybrania potrzebnej funkcji. Na wyświetlaczu zaświeci się odpowiednia kontrolka.


Przycisk **OPCJE PRANIA** : nacisnąć w celu wybraniażądanego stopnia intensywności prania.


Przycisk **TYP PŁUKANIA** : nacisnąć w celu wybraniażądanego rodzaju płukania.

Przycisk **WIROWANIA** : nacisnąć w celu zmniejszenia lub całkowitego wyłączenia wirówki – wartość ukazana zostanie na wyświetlaczu.

Przycisk **TEMPERATURY** : nacisnąć w celu zmniejszenia temperatury: wartość zostaje wyświetlona na ekranie.

Przycisk **BLOKADA PRZYCISKÓW** : w celu uruchomienia lub wyłączenia blokady panelu sterowania należy przytrzymać naciśnięty przycisk przez około 2 sekundy. Podświetlony symbol  wskazuje, że panel sterowania został zablokowany (z wyjątkiem przycisk **ON/OFF**). W ten sposób uniemożliwia się dokonywanie przypadkowych zmian w programach, zwłaszcza, jeśli w domu obecne są dzieci. W celu wyłączenia blokady panelu sterowania należy przytrzymać naciśnięty przycisk przez około 2 sekundy.

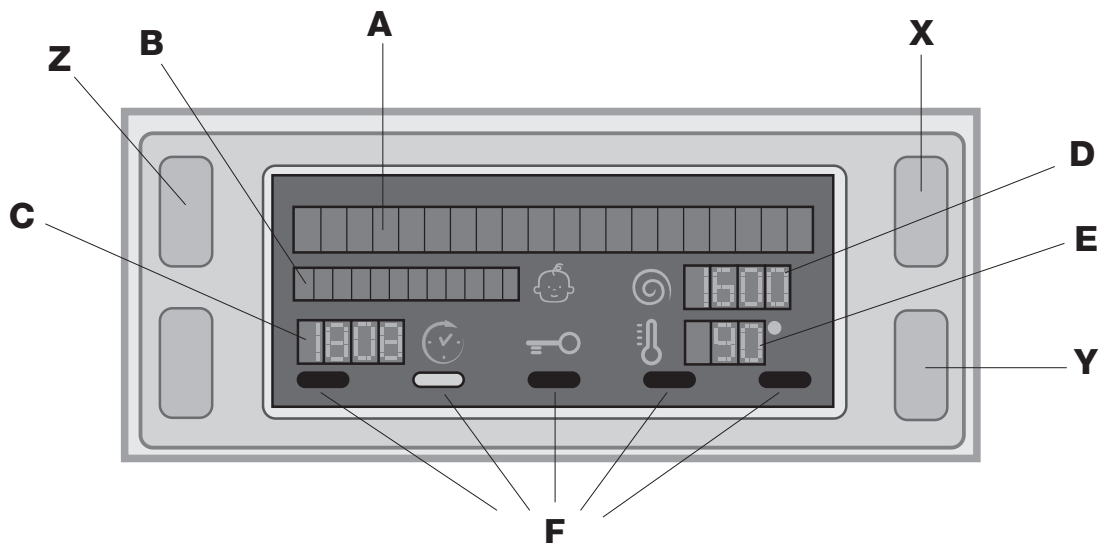
Przycisk **URUCHOMIENIE OPÓZNIONE** : nacisnąć w celu ustawienia opóźnionego uruchomienia wybranego programu. Opóźnienie wyświetlone zostanie na ekranie.

Przycisk z kontrolką **START/PAUSE**: kiedy zielona kontrolka pulsuje powoli, nacisnąć przycisk w celu uruchomienia prania. Po uruchomieniu cyklu kontrolka świeci w sposób ciągły. W celu wybrania pauzy w praniu należy nacisnąć ponownie przycisk, kontrolka zacznie pulsować w kolorze pomarańczowym. Jeśli symbol  nie świeci się, można otworzyć drzwiczki (odczekać około 3 minuty). W celu ponownego uruchomienia prania od miejsca, w którym zostało przerwane, należy ponownie nacisnąć przycisk.

Funkcja stand by

Pralka ta, w myśl nowych norm europejskich związanych z oszczędnością elektryczną, posiada system auto wyłączenia (stand by), który włącza się po 30 minutach nie użytkowania. Ponownie lekko wcisnąć przycisk **ON/OFF** i poczekać, aż pralka ponownie włączy się.

Wyświetlacz



Wyświetlacz potrzebny jest w celu programowania maszyny i dostarcza wielu informacji.

W obu wierszach górnych **A** i **B** wyświetlane są: wybrany program prania, faza prania bieżącego oraz wszelkie wskazania związane ze stanem zaawansowania programu.

W wierszu **C** wyświetlany jest czas pozostały do końca cyklu prania bieżącego oraz, jeśli zaprogramowano URUCHOMIENIE OPÓŹNIONE, czas brakujący do uruchomienia wybranego programu.

W wierszu **D** wyświetlana jest maksymalna wartość szybkości wirówki, jaką maszyna może uzyskać w przypadku wybranego programu; jeśli program nie przewiduje wirowania wiersz pozostaje wygaszony.

W wierszu **E** wyświetlana jest maksymalna wartość temperatury, jaką można wybrać w przypadku wybranego programu, jeśli program nie przewiduje ustawiania temperatury, wiersz pozostaje wygaszony.

Kontrolki **F** związane są z funkcjami i włączają się, kiedy wybrana funkcja zgodna jest z wybranym programem.

Symbol **zablokowanych drzwiczek**

Zapalony symbol oznacza, że okrągłe drzwiczki pralki są zablokowane, aby zapobiec przypadkowemu ich otwarciu. Aby uniknąć uszkodzenia pralki, należy odczekać, aż symbol ten zgaśnie, zanim przystąpi się do otwierania drzwiczek pralki (odczekać około 3 minuty).

Uwaga: jeśli aktywna jest funkcja URUCHOMIENIE OPÓŹNIONE drzwiczek nie można otworzyć. W celu ich otwarcia należy ustawić maszynę w pauzie poprzez naciśnięcie przycisku START/PAUSE.


! Podczas pierwszego uruchomienia wymagane będzie dokonanie wyboru języka a wyświetlacz ustawi się automatycznie na menu wyboru języka.

W celu wybraniażądanego języka nacisnąć przyciski **X** i **Y**, dla potwierdzenia wyboru nacisnąć przycisk **Z**.

Aby zmienić język, należy wyłączyć urządzenie, nacisnąć równocześnie przyciski **X**, **Y**, **Z**, aż do usłyszenia sygnału dźwiękowego, wyświetli się menu wyboru języka.

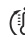



W jaki sposób wykonać cykl prania


PL

- WŁĄCZENIE MASZYNY.** Nacisnąć przycisk , na wyświetlaczu pojawi się napis WŁĄCZENIE, kontrolka START/PAUSE zacznie powoli pulsować w kolorze zielonym.
- WKŁADANIE BIELIZNY.** Otworzyć szklane drzwiczki. Włożyć bieliznę uważając, aby nie przekroczyć wielkości wsadu wskazanej w tabeli programów na następnej stronie.
- DOZOWANIE ŚRODKA PIORĄCEGO.** Wysunąć szufladkę i wsypać detergent do odpowiednich komór w sposób wyjaśniony w „Środki piorące i bielizna”.
- ZAMKNAĆ DRZWICZKI.**
- WYBÓR PROGRAMU.** Nacisnąć jeden z przycisków PRZEŁĄCZNIKA PROGRAMÓW w celu wybrania potrzebnego programu, nazwa programu pojawi się na wyświetlaczu; z nim powiązana jest temperatura oraz prędkość wirowania, które mogą zostać zmienione. Na wyświetlaczu pojawi się czas trwania cyklu.

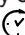
6. PERSONALIZACJA CYKLU PRANIA.

Przy pomocy odpowiednich przycisków:


  **Zmienić temperaturę i/lub wirówkę.** Maszyna wybierze automatycznie temperaturę oraz wirówkę maksymalne przewidziane dla danego programu, dlatego nie mogą one być zwiększane. Poprzez naciskanie przycisku  stopniowo zmniejsza się temperaturę aż do prania w zimnej wodzie „OFF”. Naciskając przycisk  stopniowo zmniejsza się wirówkę aż do jej wyłączenia „OFF”. Dodatkowe naciśnięcie przycisków przywróci maksymalne wartości przewidywane.

! Wyjątek: wybierając program  60° (1. naciśnięcie przycisku) temperaturę można podnieść aż do 90°.


 **Ustawienie opóźnionego rozpoczęcia.**

W celu ustawienia opóźnionego rozpoczęcia wybranego programu należy naciskać odpowiedni przycisk aż do osiągnięcia żądanego czasu opóźnienia. Kiedy opcja ta jest aktywna, na wyświetlaczu pojawia się symbol . W celu usunięcia opóźnionego uruchomienia należy naciskać przycisk aż do pojawienia się napisu „OFF”.


Ustawić żądany stopień intensywności prania.

Opcja  umożliwia optymalizację prania w zależności od stopnia zabrudzenia tkanin oraz żądanej intensywności prania.


Wybrać program prania, cykl zostanie automatycznie ustawiony na poziomie „NORMALNY”, przeznaczonym dla średnio zabrudzonej odzieży, (ustawienie to nie stosuje się dla cyklu „Wełna”, który ustawia się automatycznie na poziomie „DELIKATNE”).

W przypadku silnie zabrudzonej odzieży, należy nacisnąć przycisk  aż do przejścia do poziomu „SUPER PRANIE”. Poziom ten gwarantuje wysokiej jakości pranie, dzięki użyciu większej ilości wody w początkowej fazie cyklu i intensywniejszym ruchom mechanicznym służy do usuwania najoporniejszych plam. Może być używany z wybielaczem i bez niego.

Jeśli chce się przeprowadzić wybielanie, należy włożyć dodatkową szufladkę 4, znajdującą się w wyposażeniu, do szufladki 1. Nie przekraczać poziomu „max” wybielacza w płynie, podanej na środkowym wskaźniku (zobacz rysunek na str. 22).

W przypadku lekko zabrudzonej odzieży lub w celu delikatnego obchodzenia się z tkaninami, należy nacisnąć przycisk  aż do przejścia do poziomu „DELIKATNE”. Cykl zredukuje ruchy mechaniczne, aby zagwarantować doskonały efekt prania delikatnej odzieży.

Ustawić rodzaj płukania.

Opcja  umożliwia wybranie rodzaju płukania przeznaczonego do jak największej ochrony delikatnej skóry. Po pierwszym naciśnięciu przycisku, zostaje ustawiony poziom „EXTRA PŁUKANIE”, który pozwala wybrać dodatkowe płukanie, oprócz standardowego, w celu usunięcia wszelkich pozostałości detergentu. Po drugim naciśnięciu przycisku, zostaje ustawiony poziom „WRAŻLIWA SKÓRA”, który pozwala wybrać dwa dodatkowe płukania, oprócz standardowego, w celu jak najlepszej ochrony delikatnej skóry. Po trzecim naciśnięciu przycisku, zostaje ustawiony poziom „ANTYALERGICZNE”, który pozwala wybrać trzy dodatkowe płukania, oprócz standardowego, w celu usunięcia głównych alergenów, takich jak pyłki, roztocza, sierść psów i kotów. Nacisnąć ponownie przycisk, aby powrócić do „PŁUKANIE STANDARDOWE” rodzaju płukania. Jeśli któreś z ustawień lub zmiana ustawienia nie jest możliwe, na wyświetlaczu pojawi się napis „ZABLOKOWANE”.




Zmiana charakterystyki cyklu.

- Naciskać przycisk w celu uruchomienia funkcji; zaświeci się kontrolka odpowiadająca przyciskowi.
- Nacisnąć ponownie przycisk w celu wyłączenia funkcji, kontrolka zgaśnie.

! Jeśli wybrana funkcja nie jest zgodna z wybranym programem, kontrolka będzie pulsować, a funkcja nie zostanie uruchomiona.

! Jeśli wybrana funkcja nie jest zgodna z inną, ustawioną uprzednio, kontrolka odpowiadająca pierwszej funkcji będzie pulsowała i uruchomiona zostanie jedynie druga funkcja a kontrolka uruchomionej funkcji zaświeci się.

! Funkcje mogą zmieniać zalecane obciążenie i/lub czas trwania cyklu.

- URUCHOMIENIE PROGRAMU.** Nacisnąć przycisk START/PAUSE. Odpowiednia kontrolka zaświeci się kolorem zielonym i drzwiczki zostaną zablokowane (symbol ZABLOKOWANYCH DRZWICZEK  świeci się). Podczas prania na wyświetlaczu pojawi się nazwa bieżącej fazy. W celu zmiany programu w czasie trwania cyklu należy ustawić pralkę w pauzie naciskając przycisk START/PAUSE (kontrolka START/PAUSE zacznie powoli pulsować w kolorze pomarańczowym); następnie wybrać potrzebny cykl i ponownie nacisnąć przycisk START/PAUSE. W celu otwarcia drzwiczek w trakcie wykonywania cyklu należy nacisnąć przycisk START/PAUSE; jeśli symbol ZABLOKOWANYCH DRZWICZEK  jest wyłączony możliwe będzie otwarcie drzwiczek (odczekać około 3 minuty). Nacisnąć ponownie przycisk START/PAUSE, aby uruchomić program od punktu, w którym został przerwany.
- KONIEC PROGRAMU.** Wskazywany jest napisem „KONIEC CYKLU” na wyświetlaczu, kiedy symbol ZABLOKOWANYCH DRZWICZEK  wyłączy się, możliwe będzie otwarcie drzwiczek (odczekać około 3 minuty). Otworzyć drzwiczki, wyjąć bieliznę i wyłączyć maszynę.


! Jeśli zamierza się anulować uruchomiony już cykl, przytrzymać dłużej naciśnięty przycisk . Cykl zostanie przerwany i maszyna wyłączy się.

Tabela programów

Programy	Opis programu	Temp. max. (°C)	Prędkość max (obrotów na minutę)	Środki piorące				Ładunek max (kg)	Wilgotno resztkowa %	Zużycie energii kWh	Woda techn. lt	Czas trwania cyklu
				Pranie wstępne	Pranie	Wybielacz	Środek zmiękczający					
	ODPLAMIANIE	40°	1200	●	●	-	●	4	-	-	-	*
	BAWEŁNA (1° naciśnięcie przycisku): tkaniny białe i kolorowe, wytrzymałe, mocno zabrudzone.	60° (Max. 90°)	1200	●	●	●	●	7	-	-	-	*
	BAWEŁNA (2° naciśnięcie przycisku): tkaniny kolorowe, wytrzymałe, lekko zabrudzone.	20°	1200	-	●	●	●	7	-	-	-	*
	ECO BAWELNA 60° (3° naciśnięcie przycisku) (1): tkaniny białe i kolorowe, wytrzymałe, mocno zabrudzone.	60°	1200	-	●	-	●	7	53	1,02	52,5	200'
	ECO BAWELNA 40° (3° naciśnięcie przycisku) (2): tkaniny kolorowe, wytrzymałe, lekko zabrudzone.	40°	1200	-	●	-	●	7	53	0,99	78	175'
	SYNTETY. INTENSYWNY (1° naciśnięcie przycisku): tkaniny kolorowe, wytrzymałe, mocno zabrudzone.	60°	1000	●	●	●	●	3,5	49	0,91	53	110'
	SYNTETY. INTENSYWNY (3) (1° naciśnięcie przycisku): tkaniny kolorowe, wytrzymałe, mocno zabrudzone.	40°	1000	●	●	●	●	3,5	-	-	-	*
	SYNTETY. DELIKATNE (2° naciśnięcie przycisku): delikatne kolory Lekko zabrudzone.	40°	1000	●	●	●	●	3,5	-	-	-	*
	SZYBKIE PRANIE 60' (1° naciśnięcie przycisku): w celu szybkiego odświeżenia mocno zabrudzonych tkanin (niewskazany dla wełny, jedwabiu i tkanin przeznaczonych do prania ręcznego).	60°	1200	-	●	-	●	3,5	-	-	-	*
	SZYBKIE PRANIE 30' (2° naciśnięcie przycisku): w celu szybkiego odświeżenia lekko zabrudzonych tkanin (niewskazany dla wełny, jedwabiu i tkanin przeznaczonych do prania ręcznego).	30°	800	-	●	-	●	3	71	0,19	39	30'
M	PAMIEĆ: pozwala na zmemoryzowanie każdego typu prania.											
	POŚCIEL I RĘCZNIKI: do białej pościeli i kąpielowej.	60°	1200	●	●	-	●	7	-	-	-	*
	Woolmark Platinum (WEŁNA): do wełny, kaszmiru, itp.	40°	800	-	●	-	●	1,5	-	-	-	*
	DELIKATNE	30°	0	-	●	-	●	1	-	-	-	*
	WIROWANIE (1° naciśnięcie przycisku).	-	1200	-	-	-	-	7	-	-	-	*
	PLUKANIE (2° naciśnięcie przycisku).	-	1200	-	-	-	●	7	-	-	-	*
	ODPROWADZANIE WODY (3° naciśnięcie przycisku).	-	0	-	-	-	-	7	-	-	-	*

* Możliwa jest kontrola czasu trwania programów na wyświetlaczu.

Czas trwania cyklu wskazany na wyświetlaczu lub w instrukcji jest czasem oszacowanym dla standardowych warunków. Rzeczywisty czas trwania cyklu może się zmieniać w zależności od wielu czynników, takich jak temperatura i ciśnienie wody na wlocie, temperatura otoczenia, ilość i rodzaj pranej odzieży, wyważenie ładunku, wybrane opcje dodatkowe.

1) Program sterowania zgodny z normą 1061/2010: ustawić program 60°C (3. naciśnięcie przycisku).

Ten cykl jest odpowiedni do prania średnio zabrudzonej odzieży bawełnianej i jest najbardziej wydajnym cyklem pod względem łącznego zużycia energii elektrycznej i wody; należy go używać do odzieży przeznaczonej do prania w 60°C. Rzeczywista temperatura prania może się różnić od podanej.

2) Program sterowania zgodny z normą 1061/2010: ustawić program 40°C (3. naciśnięcie przycisku) z temperaturą 40°C (nacisnąć przycisk TEMPERATURY).

Ten cykl jest odpowiedni do prania średnio zabrudzonej odzieży bawełnianej i jest najbardziej wydajnym cyklem pod względem łącznego zużycia energii elektrycznej i wody; należy go używać do odzieży przeznaczonej do prania w 40°C. Rzeczywista temperatura prania może się różnić od podanej.

Dla wszystkich Test Institutes:

2) Program bawełna, długi: ustawić program 60°C (3. naciśnięcie przycisku) z temperaturą 40°C (nacisnąć przycisk TEMPERATURY).

3) Program tkaniny syntetyczne długi: ustawić program 60°C (1. naciśnięcie przycisku) z temperaturą 40°C (nacisnąć przycisk TEMPERATURY).

Funkcje prania

! Jeśli wybrana funkcja nie jest zgodna z wybranym programem, kontrolka będzie pulsować, a funkcja nie zostanie uruchomiona.

! Jeśli wybrana funkcja nie jest zgodna z inną, ustawioną uprzednio, kontrolka odpowiadająca pierwszej funkcji będzie pulsowała i uruchomiona zostanie jedynie druga funkcja a kontrolka uruchomionej funkcji zaświeci się.

Pranie Wstępne

W przypadku wyboru tej funkcji zostanie wykonane pranie wstępne, które ułatwia usunięcie uporczywych plam. **N.B.** Należy umieścić środek piorący w odpowiedniej przegródce.

Łatwe prasowanie

Po wybraniu tej funkcji, pranie oraz wirówka zostaną odpowiednio zmienione w celu ograniczenia powstawania zgnieceń.

Po zakończeniu cyklu pralka wykona powolne obroty bębna, kontrolka funkcji ŁATWE PRASOWANIE zaświeci się, a kontrolka START/PAUSE będzie pulsowała powoli w kolorze pomarańczowym. W celu zakończenia cyklu należy nacisnąć przycisk START/PAUSE lub przycisk ŁATWE PRASOWANIE.

Eco wash

Funkcja Eco Wash umożliwia oszczędności pod względem zużywanej energii, nie podgrzewając wody używanej do prania, co niesie za sobą korzyści zarówno dla środowiska naturalnego, jak i dla rachunku za prąd. Wzmocniona siła działania i zoptymalizowane zużycie wody gwarantują doskonałe rezultaty przy długości cyklu takiej samej, jak w przypadku cyklu standard. Aby uzyskać jak najlepsze rezultaty, zalecamy korzystać z płynu do prania.

Środki piorące i bielizna

PL

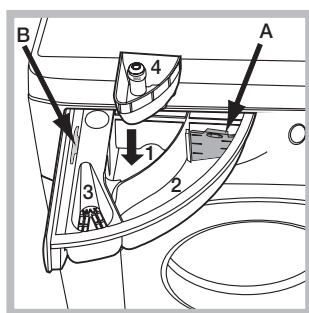
Szufladka na środki piorące

Dobry rezultat prania zależy również od prawidłowego dozowania środka piorącego: użycie jego nadmiernej ilości nie poprawia skuteczności prania, lecz przyczynia się do powstawania nalotów na wewnętrznych częściach pralki i do zanieczyszczania środowiska.

! Środki piorące w proszku należy stosować do tkanin z białej bawełny i do prania wstępnego oraz do prania w temperaturze przekraczającej 60°C.

! Należy stosować się do zaleceń podanych na opakowaniu środka piorącego.

! Nie stosować środków do prania ręcznego, ponieważ tworzą one za dużo piany.



Wysunąć szufladkę i umieścić w niej środek piorący lub dodatkowy w następujący sposób.

Przeglądka 1: Środek piorący do prania wstępnego (w proszku)

Przed wsypaniem środka piorącego należy sprawdzić, czy nie jest włożony dodatkowy pojemnik 4.

Przeglądka 2: Środek piorący do prania zasadniczego (w proszku lub w płynie)

W przypadku stosowania środka piorącego w płynie, zaleca się użycie ścianki **A** dostarczonej na wyposażeniu, która ułatwia prawidłowe dozowanie. W celu użycia środka piorącego w proszku, należy wsunąć ściankę w zgłębienie **B**.

Przeglądka 3: Środki dodatkowe (zmiękczające, itp.)

Środek zmiękczający nie powinien wypływać poza kratkę.

dodatkowy pojemnik 4: Wybielacz

Przygotowanie bielizny

- Podzielić bieliznę do prania według:
 - rodzaju tkaniny / symbolu na etykiecie.
 - kolorów: oddzielić tkaniny kolorowe od białych.
- Opróżnić kieszenie i sprawdzić guziki.
- Nie przekraczać wskazanego ciężaru suchej bielizny: patrz „Tabela programów”.

Ile waży bielizna?

- 1 prześcieradło 400-500 gr.
- 1 poszewka 150-200 gr.
- 1 obrus 400-500 gr.
- 1 szlafrok 900-1.200 gr.
- 1 ręcznik 150-250 gr.

Programy specjalne

ODPLAMIANIE: program odpowiedni do prania silnie zabrudzonej odzieży o trwałych kolorach. Program gwarantuje klasę prania wyższą od standardowej (klasa A). Nie używać programu, gdy miesza się odzież w różnych kolorach. Zalecamy stosowanie środka piorącego w proszku. W przypadku szczególnie opornych plam, zalecamy wcześniej zastosowanie specjalnych dodatków.

BAWEŁNA : idealny do zabrudzonej bielizny bawełnianej. Dobre wyniki prania w zimnej wodzie, porównywalne z praniem w 40°, są gwarantowane dzięki działaniu mechanicznemu, wykonywanemu ze zmienną prędkością, której maksymalne wartości powtarzają się w krótkich odstępach czasu.

POŚCIEL I RĘCZNIKI: w celu wyprania bielizny kąpielowej i pościelowej w jednym cyklu, należy użyć programu , który optymalizuje zużycie środka piorącego i pozwala oszczędzać czas i pieniądze. Zalecamy stosowanie środka piorącego w proszku.

WEŁNA - Woolmark Apparel Care - Green:

cykl prania „Wełna” niniejszej pralki został zatwierdzony przez Woolmark Company jako odpowiedni do prania odzieży wełnianej i przeznaczonej do prania ręcznego, pod warunkiem, że pranie jest przeprowadzane zgodnie z instrukcjami podanymi na etykiecie ubrania oraz ze wskazówkami dostarczonymi przez producenta pralki. (M1253)



DELIKATNE: używać programu do prania bardzo delikatnej odzieży, ozdobionej cekinami lub koralikami. Do prania **jedwabiu i zastón**, należy wybrać cykl i ustawić poziom „DELIKATNE” opcji . Zalecamy wywrócenie ubrań na lewą stronę i włożenie małych części odzieży do woreczka przeznaczonego specjalnie do prania delikatnych ubrań. Dla osiągnięcia najlepszych efektów, zalecamy stosowanie środka piorącego w płynie do tkanin delikatnych.

System równoważenia ładunku

Przed każdym wirowaniem, aby uniknąć nadmiernych drgań oraz jednorodnie rozłożyć wsad, bęben wykonuje obroty z prędkością nieco większą niż podczas prania. Jeśli pomimo kolejnych prób wsad nie zostanie równomiernie rozłożony, maszyna wykona wirowanie z prędkością mniejszą od przewidzianej. W przypadku nadmiernego niezrównoważenia pralka wykona rozłożenie wsadu zamiast wirowania. Aby zapewnić lepsze rozłożenie wsadu oraz jego właściwe zrównoważenie, zaleca się wymieszanie dużych i małych sztuk bielizny.

Może się zdarzyć, że pralka nie działa. Przed wezwaniem Serwisu Technicznego (*patrz „Serwis Techniczny”*) należy sprawdzić, czy problemu nie da się łatwo rozwiązać przy pomocy poniższego wykazu.

Nieprawidłowości w działaniu: **Możliwe przyczyny / Rozwiązania:**

Pralka nie włącza się.

- Wtyczka nie jest włączona do gniazdka lub jest wsunięta za słabo, tak że nie ma styku.
- W domu nastąpiła przerwa w dostawie prądu.

Cykl prania nie rozpoczyna się.

- Drzwiczki pralki nie są dobrze zamknięte.
- Nie został wciśnięty przycisk ON/OFF.
- Nie został wciśnięty przycisk START/PAUSE.
- Kurek dopływu wody jest zamknięty.
- Zostało nastawione opóźnienie startu (*patrz “W jaki sposób wykonać cykl prania”*).

Pralka nie pobiera wody (na wyświetlaczu pojawi się napis „BRAK WODY, SPRAWDŹ DOPLÝW WODY”).

- Przewód doprowadzający wodę nie jest podłączony do kurka.
- Przewód jest zgięty.
- Kurek dopływu wody jest zamknięty.
- W domu nastąpiła przerwa w dostawie wody.
- Ciśnienie wody nie jest wystarczające.
- Nie został wciśnięty przycisk START/PAUSE.

Pralka cały czas pobiera i odprowadza wodę.

- Przewód odpływowy nie został zainstalowany na wysokości między 65 a 100 cm od podłogi (*patrz „Instalacja”*).
 - Końcówka przewodu odpływowego jest zanurzona w wodzie (*patrz „Instalacja”*).
 - Otwór odpływowy w ścianie nie posiada odpowietrznika.
- Jeśli po sprawdzeniu tych możliwości problem nie zostanie rozwiązany, należy zamknąć kurek dopływu wody, wyłączyć pralkę i wezwać Serwis Techniczny. Jeśli mieszkanie znajduje się na najwyższych piętrach budynku, może wystąpić efekt syfonu, w wyniku którego pralka cały czas pobiera i odprowadza wodę. W celu wyeliminowania tej niedogodności należy zakupić specjalny zawór, zapobiegający powstawaniu efektu syfonu.

Pralka nie odprowadza wody i nie odwirowuje prania.

- Program nie przewiduje odprowadzania wody: w przypadku niektórych programów należy uruchomić je ręcznie (*patrz „Programy i funkcje”*).
- Włączona jest funkcja ŁATWE PRASOWANIE: aby zakończyć program, należy nacisnąć przycisk START/PAUSE (*„Programy i funkcje”*).
- Przewód odpływowy jest zgięty (*patrz „Instalacja”*).
- Instalacja odpływowa jest zatkana.

Pralka mocno wibruje w fazie wirowania.

- Podczas instalacji pralki bęben nie został prawidłowo odblokowany (*patrz „Instalacja”*).
- Pralka nie jest właściwie wypoziomowana (*patrz „Instalacja”*).
- Pralka, zainstalowana pomiędzy meblami a ścianą, ma za mało miejsca (*patrz „Instalacja”*).

Z pralki wycieka woda.

- Przewód doprowadzający wodę nie jest dobrze przykręcony (*patrz „Instalacja”*).
- Szufladka na środki piorące jest zatkana (w celu jej oczyszczenia *patrz „Utrzymanie i konserwacja”*).
- Przewód odpływowy nie jest dobrze zamocowany (*patrz „Instalacja”*).

Maszyna jest zablokowana, wyświetlacz pulsuje i sygnalizuje kod anomalii (np.: F-01, F-..).

- Wyłączyć maszynę i wyjąć wtyczkę z gniazdka, odczekać około 1 minuty, następnie włączyć ją ponownie.
Jeśli problem nie ustępuje, należy wezwać Serwis Techniczny.

Tworzy się zbyt duża ilość piany.

- Środek piorący nie jest odpowiedni do pralek automatycznych (na opakowaniu musi być umieszczony napis: „do pralek”, „do prania ręcznego i w pralce” lub podobny).
- Użyto za dużo środka piorącego.

Serwis Techniczny

PL

Przed skontaktowaniem się z Serwisem Technicznym:

- Sprawdzić, czy problemu nie można rozwiązać samodzielnie (*patrz „Nieprawidłowości w działaniu i sposoby ich usuwania”*);
- Ponownie uruchomić program i sprawdzić, czy problem nie zniknął;
- Jeśli nie, zwrócić się do autoryzowanego Serwisu Technicznego, dzwoniąc pod numer podany w karcie gwarancyjnej.

! Nigdy nie wzywać nieautoryzowanych techników.

Należy podać:

- rodzaj nieprawidłowości;
- model maszyny (Mod.);
- numer seryjny (S/N).

Informacje te znajdują się na tabliczce umieszczonej w tylnej części pralki oraz widocznej z przodu po otwarciu drzwiczek.

ROZPORZĄDZENIE DELEGOWANE KOMISJI (UE) NR 1061/2010	
Nazwa dostawcy	HOTPOINT/ARISTON
Nazwa modelu	WMSD 723B EU.L
Pojemność znamionowa w kg	7
Klasa efektywności energetycznej w skali od A+++ (niskie zużycie) do G (wysokie zużycie)	A+++
Roczne zużycie energii w kWh rocznie ¹⁾	173
Zużycie energii w przypadku standardowego programu prania tkanin bawełnianych w 60 °C przy pełnym załadunku ²⁾	1.02
Zużycie energii w przypadku standardowego programu prania tkanin bawełnianych w 60 °C przy częściowym załadunku ²⁾	0.585
Zużycie energii w przypadku standardowego programu prania tkanin bawełnianych w 40 °C przy częściowym załadunku ²⁾	0.55
Zużycie energii w trybie wyłączenia	0.5
Zużycie energii w trybie czuwania	8
Roczne zużycie wody w litrach ³⁾	10670
Klasa efektywności wirowania w skali od A (najwyższa efektywność) do G (najniższa efektywność)	B
Maksymalna szybkość wirowania ⁴⁾	1200
Uzyskana wilgotność ⁵⁾	53.0%
Czas w min standardowego programu prania tkanin bawełnianych w 60 °C przy pełnym załadunku.	200
Czas w min standardowego programu prania tkanin bawełnianych w 60 °C przy częściowym załadunku.	150
Czas w min standardowego programu prania tkanin bawełnianych w 40 °C przy częściowym załadunku.	145
Czas trwania trybu czuwania	30
Poziom emitowanego hałasu podczas prania w dB(A) ⁶⁾	58
Poziom emitowanego hałasu podczas wirowania w dB(A) ⁶⁾	74
Model przeznaczony do zabudowy	

¹⁾ Standardowy program prania tkanin bawełnianych w 60 °C i „standardowy program prania tkanin bawełnianych w 40 °C” stanowią standardowe programy prania, do których odnoszą się informacje na etykiecie i w karcie, że są one odpowiednie do prania tkanin bawełnianych normalnie zabrudzonych oraz że są najbardziej efektywnymi programami pod względem łącznego zużycia energii i wody. Częściowy załadunek jest połową pełnego załadunku znamionowego.

²⁾ Na podstawie 220 standardowych cykli prania w przypadku programów prania tkanin bawełnianych w 60 °C i 40 °C przy pełnym i częściowym załadunku oraz zużycie w trybach niskiego zużycia energii. Rzeczywiste zużycie energii zależy od sposobu użytkowania urządzenia.

³⁾ Na podstawie 220 standardowych cykli prania w przypadku programów prania tkanin bawełnianych w 60 °C i 40 °C przy pełnym i częściowym załadunku. Rzeczywiste zużycie wody zależy od sposobu użytkowania urządzenia.

⁴⁾ W przypadku standardowego programu prania tkanin bawełnianych w 60 °C przy pełnym załadunku oraz standardowego programu prania tkanin bawełnianych w 40 °C przy częściowym załadunku, w zależności od tego, która z tych wartości jest niższa,

⁵⁾ W przypadku standardowego programu prania tkanin bawełnianych w 60 °C przy pełnym załadunku lub standardowego programu prania tkanin bawełnianych w 40 °C przy częściowym załadunku, w zależności od tego, która z tych wartości jest wyższa;

⁶⁾ Na podstawie hałasu powstającego podczas faz prania i wirowania, w przypadku standardowego programu prania tkanin bawełnianych w 60 °C.

UA

Українська

WMSD 723

Зміст

UA

Встановлення, 26-27

Розпакування і вирівнювання
Підключення води та електроенергії
Перший цикл прання
Технічні дані

Технічне обслуговування та догляд, 28

Відключення води й електричного живлення
Очищення пральної машини
Чистка касети для миючих засобів
Догляд за люком та барабаном
Миття насосу
Контроль шланга для подачі води

Запобіжні заходи та поради, 29

Загальна безпека
Утилізація

Опис пральної машини, 30-31

Панель керування
Дисплей

Як здійснювати цикл прання, 32

Програми та функції, 33

Таблиця програм
Функції прання

Миючі засоби і білизна, 34

Касета з миючим засобом
Підготовка білизни
Особливі програми
Система балансування завантаження

Несправності та засоби їх усунення, 35

Допомога, 36

Встановлення

UA

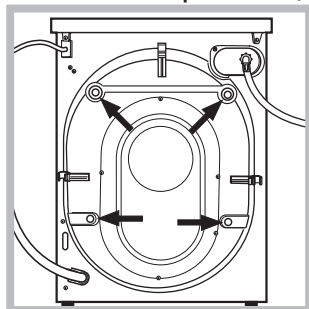
! Зберігайте дану брошуру, щоб мати нагоду звернутися до неї у будь-який момент. У раз продажу, передачі іншій особі або переїзду переконайтеся в тому, що інструкція перебуває разом із пральною машиною й новий власник може ознайомитися з її принципами роботи й відповідними запобіжними заходами.

! Уважно вивчіть інструкцію: в ній міститься важлива інформація щодо встановлення, використання та безпеки.

Розпакування й вирівнювання

Розпакування

1. Розпакування пральної машини
2. Вдоскональтеся, що машина не зазнала ушкоджень під час транспортування. Якщо такі є, не виконуйте ніяких підключень та негайно зверніться до постачальника.



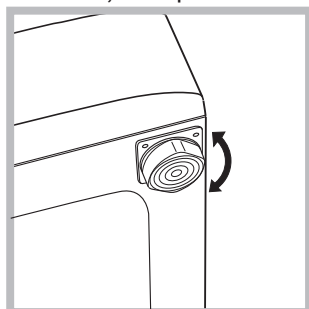
3. Видаліть запобіжні гвинти для транспортування та гумову прокладку з відповідною розпірною деталлю, які знаходяться позаду (див. малюнок).

4. Закрийте отвори пластмасовими пробками з комплекту постачання.
5. Зберігайте всі компоненти: у разі транспортування пральної машини їх потрібно повернути на місце.

! Забороняйте дітям гратися з упаковками.

Вирівнювання

1. Встановіть пральну машину на плоскій та твердій підлозі, не притуляючи її до стін, меблів, тощо.

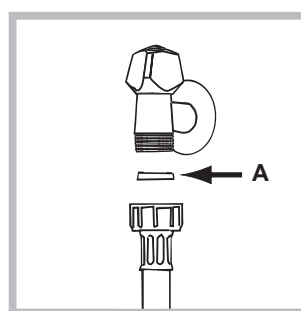


2. Якщо підлога не є ідеально горизонтальною, компенсуйте нерівності за допомогою передніх ніжок (див. малюнок) – розкручуючи чи закручуючи їх; кут нахилу відносно робочої поверхні не повинен перевищувати 2°.

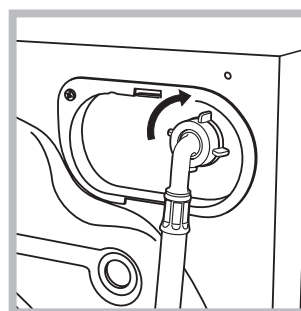
Належне вирівнювання забезпечить стабільність машині та запобіжить вібраціям, шуму та пересуванням під час роботи. У випадку встановлення машини на килимовому покритті або килимах, ніжки необхідно відрегулювати таким чином, щоб гарантувати під пральною машиною необхідний простір для вентиляції.

Підключення води й електроенергії

Під'єднання труби для подачі води



1. Вставте прокладку А у кінець шлангу для подачі води та вкрутіть його у кран з холодною водою з різьбою 3/4 (див. малюнок). Перед підключенням спустіть воду, доки вона не стане прозорою.



2. Підключіть трубу подачі води до пральної машини, під'єднавши його до водорозбірного крану, який знаходиться угорі праворуч на задньому боці машини (див. малюнок).

3. Зверніть увагу, щоб труба не мала згинів та утисків.

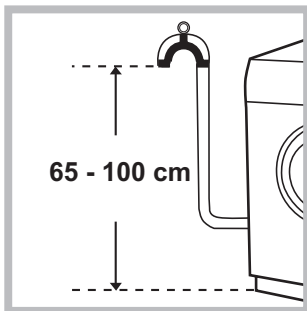
! Тиск води в крані має відповідати значенням у таблиці Технічних даних (див. сторінку поруч).

! Якщо довжини труби для води не вистачає, зверніться у спеціалізовану крамницю або до уповноваженого фахівця.

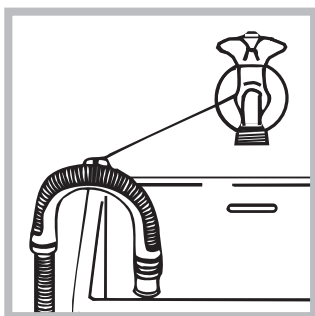
! Не користуйтеся трубами, які були вже у вживанні.

! Використовуйте труби з комплекту постачання.

Під'єднання шлангу злива води



Під'єднайте зливний шланг, не згинаючи його, до каналізації або до зливного отвору у стіні на висоті від 65 до 100 см від підлоги.



Або покладіть його на край вмивальника або ванни; прив'язавши направляючу з комплекту постачання докрана (див. малюнок). Не залишайте вільний кінець зливного шланга зануреним у воду.

! Використання подовжувача шланга не рекомендоване. При використанні подовжувача шланга (якщо це дійсно є необхідним), переконайтеся у тому, що він має той самий діаметр та його довжина не перевищує 150 см.

Електричні підключення

Перш ніж увімкнути вилку в електричну розетку, переконайтеся в тому, що:

- розетка має заземлення у відповідності до встановлених норм;
- розетка розрахована на максимальне навантаження у межах потужності машини, зазначене у таблиці Технічних даних (див. малюнок поруч);
- напруга живлення перебуває у межах, зазначених у таблиці Технічних даних (див. малюнок поруч);
- розетка підходить до вилки пральної машини. В іншому випадку замініть розетку або вилку.

! Машину не можна встановлювати поза приміщенням, навіть в захищених місцях, тому що дуже небезпечно піддавати її впливу дощу і грози.

! Коли машину вже встановлено, забезпечте вільний доступ до електричної розетки.

! Не використовуйте подовжувачі й трійники.

! Шнур не повинен мати згинів або утисків.

! Заміна шнура живлення має виконуватися тільки вповноваженими фахівцями.

Увага! Підприємство знімає з себе відповідальність у разі недотримання вказаних правил.

Перший цикл прання

Після встановлення, перш ніж розпочати використання машини, виконайте цикл прання з пральним засобом, але не завантажуючи білизну, встановивши програму «Самоочищення» (див. «Очищення пральної машини»).

Технічні дані

Модель	WMSD 723
Розміри	ширина 59,5 см висота 85 см глибина 43,5 см
Кількість білизни	від 1 до 7 кг
Електричні підключення	див. шильдік з технічними даними на машині
Водопровідні підключення	максимальний тиск 1 мПа (10 бар) мінімальний тиск 0,05 мПа (0,5 бар) об'єм баку – 48 літри
Швидкість центрифуги	до 1200 обертів на хвилину
Програми контролю згідно з нормою 1061/2010 1015/2010	програма ◻ (60°) (шляхом третього натискання на кнопку); Ехо бавовна 60°C програма ◻ (40°) (шляхом третього натискання на кнопку); Ехо бавовна 40°C.
 	Цей прилад відповідає таким європейським директивам: - 2004/108/CE (Електромагнітна сумісність) - 2012/19/EU (WEEE) - 2006/95/CE (Низька напруга)

Технічне обслуговування та догляд

UA

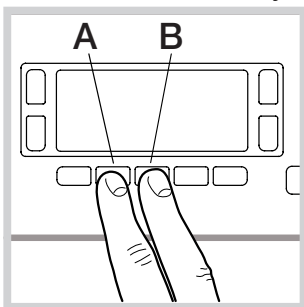
Відключення води й електричного живлення

- Закривайте водопровідний кран після кожного прання. У такий спосіб зменшується знос гідравлічної частини машини й усувається небезпека витоку.
- Виймайте штепсель з розетки під час миття машини та під час робіт з технічного обслуговування.

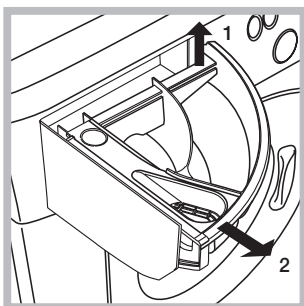
Очищення пральної машини

- Зовнішня частина і гумові деталі можуть бути вимиті тканиною, змоченою у теплій воді й милі. Не використовуйте розчинники або абразиви.
- Пральна машина оснащена програмою «Самоочищення» внутрішніх частин, яку слід запускати **без будь-яких речей всередині барабану**.

Пральний засіб (його кількість має складати 10% від рекомендованої для злегка забруднених речей) або спеціальні засоби для очищення пральної машини можна використовувати як допоміжні у програмі прання. Рекомендується виконувати програму очищення через кожні 40 циклів прання. Для пуску програми слід одночасно натиснути на кнопки **A** і **B** впродовж 5 сек. (див. малюнок). Програма запускається автоматично і триває приблизно 70 хвилин. Для припинення циклу натисніть на кнопку ПУСК/ПАУЗА.



Чистка касети для миючих засобів



Вийміть касету, піднявши її та витягнувши назовні (див. малюнок).

Промийте під проточною водою; ця процедура має проводитися регулярно.

Догляд за люком та барабаном

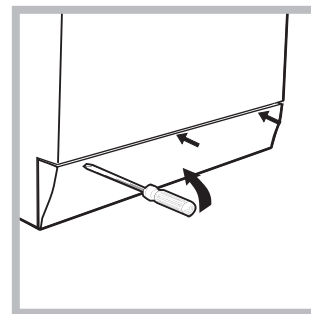
- Завжди залишайте відкритими дверцята люку, тоді не утворюватимуться неприємні запахи.

Миття насосу

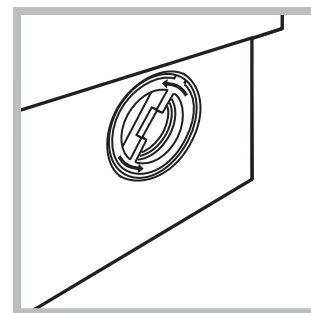
Пральну машину обладнано насосом з автоматичною чисткою, який не вимагає технічного обслуговування. Може трапитися так, що малі предмети (монети, ґудзики) потраплять до форкамери, що захищає насос, розташований у її нижній частині.

! Переконайтеся у тому, що цикл прання закінчено, і витягніть штепсель з розетки.

Щоб потрапити до форкамери:



1. зніміть декоративну панель на лицевому боці пральної машини за допомогою викрутки (див. малюнок);



2. відкрутіть кришку, обертаючи її проти годинникової стрілки (див. малюнок): виток незначної кількості води є нормальним;

3. акуратно очистіть внутрішню частину;
4. накрутіть кришку;
5. встановіть панель на місце, пересвідчіться у тому, що крюки були вставлені у спеціальні петлі, після чого притисніть її до машини.

Контроль шланга для подачі води

Перевіряйте шланг для подачі води не менше одного разу на рік. Якщо на ньому є тріщини, він підлягає заміні: під час прання високий тиск може призвести до розірвання.

! Не користуйтеся шлангами, які були вже у вживанні.

! Машину була спроектовано і вироблено у відповідності з міжнародними нормами безпеки. Дані попередження складені для забезпечення безпеки і тому їх треба уважно прочитати.

Загальна безпека

- Після використання машини обов'язково відключайте її від мережі живлення змінюю струмута перекривайте кран водогону.
- Дане обладнання було розроблене виключно для побутового використання.
- Дозволяється користування цим приладом дітьми віком від 8 років, а також особами з обмеженими фізичними, сенсорними або розумовими можливостями або особами без належного досвіду і знань, якщо вони перебувають під постійним контролем або проінструктовані щодо правил з небезпечного використання приладу і усвідомлюють ступені ризику. Не дозволяйте дітям гратися з приладом. Операції з очищення і догляду не повинні виконуватися дітьми без належного контролю.
- Машина має використовуватися тільки повнолітніми особами і згідно з інструкціями, наведеними у даній брошурі.
- Не торкайтеся до машини голими ногами або мокрими чи вологими руками й ногами.
- Не виймайте штепсель з електричної розетки, витягуючи його за провід, тримайтеся тільки за самий штепсель.
- Не відкривайте касету з миючими засобами під час роботи машини.
- Будьте обережні: вода, що зливається, може мати високу температуру.
- У жодному випадку не застосовуйте силу до люку: це може ушкодити запобіжний механізм проти випадкових відкривань.
- Якщо машина не працює у разі поломки, у жодному випадку не намагайтеся дістатися внутрішніх механізмів з метою самостійного ремонту.
- Слідкуйте, щоб діти не наближалися до працюючої машини.
- Під час прання люк нагріватиметься.
- Пересування машини має здійснюватися двома або трьома особами за умови максимальної уваги. Ні в якому разі - однією особою, тому що машина дуже важка.
- Перш ніж завантажити білизну, перевірте, щоб барабан був порожній.

Утилізація

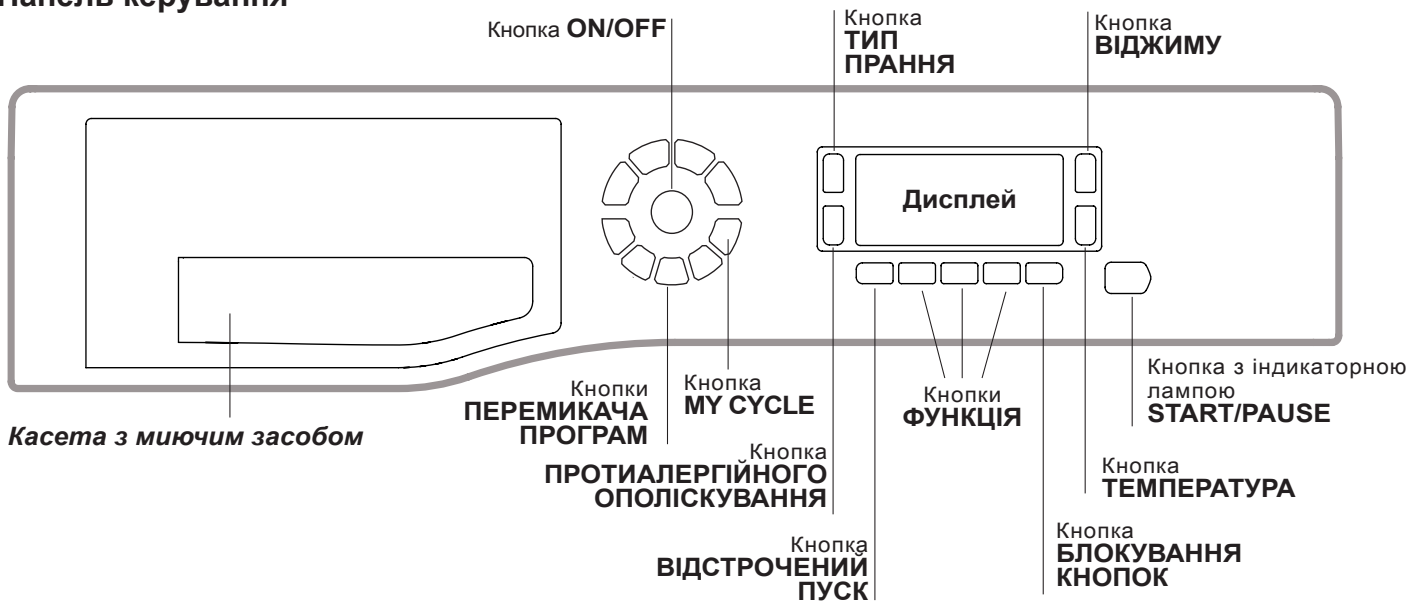
- Утилізація пакувального матеріалу: дотримуйте місцевих норм, так як пакування може бути використане повторно.
- Європейська директива 2012/19/EU з відходів від електричної й електронної апаратури передбачає, що побутові електроприлади не можуть перероблятися у звичайному порядку для твердих міських відходів.

Зняті з експлуатації побутові прилади мають бути зібрані окремо для оптимізації ступеню відновлення й рециркування матеріалів, що входять до їхнього складу, і з метою усунення потенційної шкоди для здоров'я та навколишнього середовища. Символ закресленої корзини, зображений на всіх виробках, нагадує про необхідність окремої утилізації. Для подальшої інформації про правильне зняття з експлуатації побутових електроприладів, їхні власники можуть звернутися у відповідну муніципальну службу або до продавця приладу.


Опис пральної машини

UA

Панель керування



Касета з миючим засобом: для завантаження миючих засобів та присадок (див. "Миючі засоби та білизна").

Кнопка **ON/OFF** : швидко натисніть і відпустіть кнопку для увімкнення або вимикання машини. Індикаторна лампа START/PAUSE блимає зеленим світлом з повільними інтервалами, вказуючи на те, що машину ввімкнено. Для вимикання пральної машини під час прання необхідно утримувати кнопку натиснутою приблизно більш ніж 3 сек.; короточасне або випадкове натискання не дозволить вимкнути машину. Вимикання машини під час циклу прання відмінює це прання.


Кнопки **ПЕРЕМІКАЧА ПРОГРАМ**: використовуються для вибору бажаної програми для задання бажаної програми (див. "Таблиця програм").


Кнопка **MY CYCLE**: утримуйте кнопку натиснутою, щоб внести у пам'ять цикл та власні налаштування. Щоб викликати цикл, попередньо внесений у пам'ять, натисніть на кнопку MY CYCLE.



Кнопки **ФУНКЦІЯ**: для вибору бажаної функції натисніть на кнопку. На дисплеї запалиться спалахує відповідна індикаторна лампа.


Кнопка **ТИП ПРАННЯ** : натиснути для вибору бажаної інтенсивності прання.

Кнопка **ПРОТИАЛЕРГІЙНОГО ОПОЛІСКУВАННЯ** : натиснути для вибору бажаного типу ополіскування.

Кнопка **ВІДЖИМУ** : натискання викликає зменшення або виключення режиму віджиму взагалі; значення відображається на дисплеї.

Кнопка **ТЕМПЕРАТУРА** : натискання викликає зменшення температури: значення відображається на дисплеї.

Кнопка **БЛОКУВАННЯ КНОПОК** : щоб активувати блокування панелі управління натисніть та утримуйте кнопку впродовж 2 секунд. Ввімкнена  позначка показує, що панель управління заблокована (за винятком кнопки ON/OFF). У цей спосіб перешкоджають випадковій зміні програм, передусім, якщо у домі є діти. Для відключення блокування панелі управління натисніть та утримуйте кнопку впродовж 2 секунд.

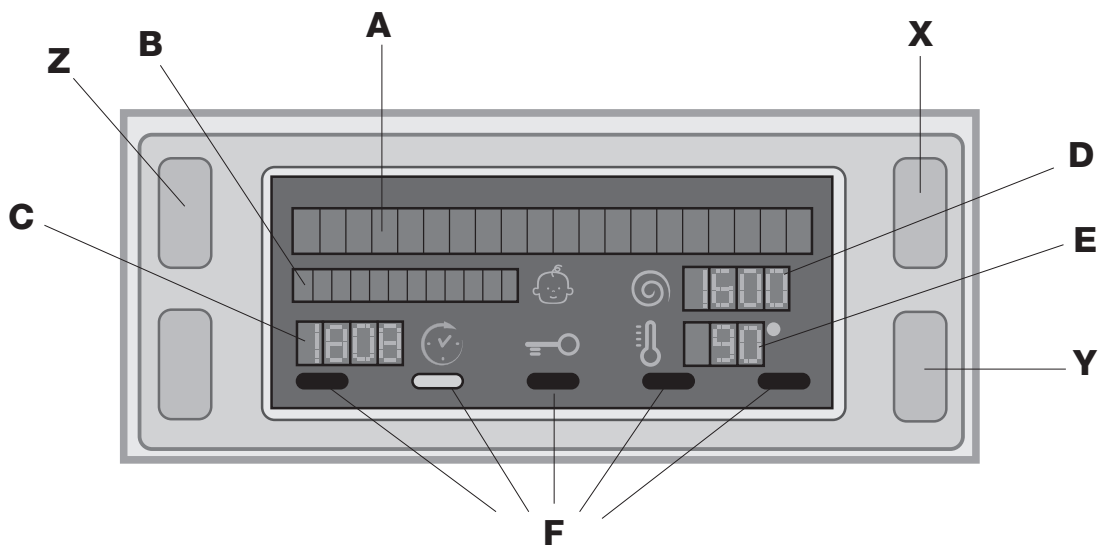
Кнопка **ВІДСТРОЧЕНИЙ ПУСК** : натисніть для того, щоб задати режим відстроченого пуску обраної програми. Відстрочення відобразатиметься на дисплеї.

Кнопка з індикаторною лампою **START/PAUSE**: коли зелена індикаторна лампа блимає з повільними інтервалами, натисніть на кнопку для запуску прання. Якщо цикл розпочався, індикаторна лампа горить постійно. Щоб увійти в режим паузи під час прання, знову натисніть на кнопку; індикаторна лампа почне горіти померанцевим кольором. Якщо позначка  не світиться, ви можете відкрити люк (Приблизно через 3 хвилини). Щоб продовжити прання з місця, де воно було перерване, знову натисніть на кнопку.

Режим очікування

Відповідно до норм, пов'язаних з заощадження енергії, цю пральну машину оснащено системою автовимкнення (stand by), яка активується через 30 секунд відсутності роботи з боку машини. Швидко натисніть кнопку ON/OFF та зачекайте відновлення роботи машини.

Дисплей



Дисплей є зручним для програмування машини; він надає різноманітну інформацію.

У перших двох рядках **A** та **B** відображається обрана програма прання, поточна фаза прання, а також усі вказівки щодо стану встановленої програми.

У рядку **C** відображається час, який залишився до завершення поточного циклу прання, та в разі заданого **ВІДСТРОЧЕНОГО ПУСКУ** – час до запуску обраної програми.

В рядку **D** відображається максимальне значення швидкості віджиму, який машина виконує згідно з встановленою програмою; якщо у програмі не передбачений віджим, рядок залишається вимкненим.

В рядку **E** відображається максимальне значення температури, яку можна вибрати згідно з встановленою програмою; якщо у програмі не передбачене встановлення температури, рядок залишається вимкненим.

Індикаторні лампи **F** пов'язані з функціями: вони світяться запалюються, якщо обрана функція є сумісною із встановленою програмою.

Позначка Люк заблоковано 





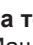
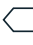



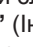
Увімкнена позначка вказує на те, що люк заблоковано, щоб запобігти його випадковому відкриттю. З метою запобігання ушкоджень, перш ніж відкрити люк, переконайтеся, що позначка не горить (Приблизно через 3 хвилини).


Увага: при активованій функції **ВІДСТРОЧЕНОГО ПУСКУ** забороняється відкривати люк, для відкриття люку встановіть машину в режим паузи, натиснувши на кнопку **START/PAUSE**.

! При першому ввімкненні з'являється запит щодо вибору мови, дисплей автоматично увійде в меню вибору мови. Для вибору бажаної мови натисніть на кнопки **X** та **Y**, щоб підтвердити зроблений вибір, натисніть на кнопку **Z**. Для зміни однієї мови на іншу вимкніть прилад, натисніть одночасно на кнопки **X**, **Y**, **Z** і зачекайте на звукову сигналізацію, яка сповіщає про появу меню для вибору мови.

Як здійснювати цикл прання

UA

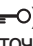

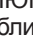

- 1. УВІМКНЕННЯ МАШИНИ.** Натисніть на кнопку : на дисплеї з'явиться WELCOME; індикаторна лампа START/PAUSE блиматиме зеленим світлом з повільними інтервалами.
- 2. ЗАВАНТАЖЕННЯ БІЛИЗНИ.** Відкрийте дверцята люку. Завантажте білизну, звертаючи увагу, щоб не перевищити кількість білизни, зазначену в таблиці програм на наступній сторінці.
- 3. ДОДАННЯ МИЮЧОГО ЗАСОБУ.** Витягніть касету і додайте миючий засіб у відповідні ванночки, як вказано в розділі "Миючі засоби і білизна".
- 4. ЗАКРИЙТЕ ЛЮК.**
- 5. ВИБІР ПРОГРАМИ.** Для вибору бажаної програми натисніть на одну з кнопок ПЕРЕМІКАЧА ПРОГРАМ; назва програми з'явиться на дисплеї; ви можете змінювати пов'язані з програмою значення температури та швидкості віджиму. На дисплеї з'явиться тривалість циклу.
- 6. НАЛАШТУВАННЯ ЦИКЛУ ПРАННЯ ПІД ВЛАСНІ ПОТРЕБИ.** Використайте відповідні кнопки:
  **Зміна температури та/або швидкості віджиму.** Машина автоматично вибирає максимальну температуру і швидкість віджиму, передбачені для даної програми, тому неможливо їх збільшити. Натискаючи на кнопку , поступово зменшують температуру прання аж до прання у холодній воді "OFF". Натискаючи на кнопку  поступово зменшують швидкість віджиму, аж до його відключення "OFF". Наступне натискання на кнопки призводить до повернення до максимальних значень.
! Виключення: при виборі програми  60°C (шляхом другого натискання на кнопку), температура може збільшитися до 90 градусів.
 **Встановіть відстрочений пуск.**
Для встановлення відстроченого пуску обраної програми натискайте на відповідну кнопку, доки не з'явиться необхідний час відстрочки. Якщо цю опцію активовано, на дисплеї запалюється позначка . Щоб скасувати відстрочений пуск натискайте на кнопку, доки на дисплеї не з'явиться OFF.
Як задати бажану інтенсивність прання.
За допомогою кнопки  можна оптимізувати прання залежно від ступеню забруднення речей і від бажаної інтенсивності прання.
Виберіть програму прання, автоматично задається цикл "Normal" (Нормального) прання, який передбачає прання речей з середнім ступенем забруднення (цей параметр не буде дійсним для циклу «Вовна», під час якого автоматично задається "Delicate" (Делікатне) прання).
Для дуже забруднених речей слід натиснути кнопку  і вибрати "Super Wash" (Інтенсивне). На цьому рівні гарантується вискоєфективне прання завдяки використанню більшої кількості води на початку циклу і значнішої механічної роботи; рекомендується для видалення стійких плям. Може використовуватися з вибілювачем або без.
Щоб відбілити речі, вставте додаткову ванночку 4 з комплекту постачання у ванночку 1. Під час дозування відбілювача не перевищуйте максимальний рівень «max» на центральному стрижні (див. малюнок на стор. 34).

Якщо речі не дуже забруднені або потребується делікатне поводження з тканинами, натисніть на кнопку , щоб обрати "Delicate" (Делікатне). У цьому циклі механічна робота зменшується, щоб гарантувати оптимальні результати прання для делікатних речей.

Як задати тип ополіскування.

За допомогою опції  можна вибрати тип ополіскування, спеціально передбачений для чутливої шкіри. При першому натисканні на кнопку задається "Extra Rinse" (Додаткове полоскання) на додаток до стандартного, щоб видалити усі залишки прального засобу. При другому натисканні на кнопку задається опція "Sensitive Skin" (Чутлива шкіра), яка дозволяє обрати два додаткових полоскання на додаток до стандартного; рекомендується для осіб з підвищеною чутливістю шкіри. При третьому натисканні на кнопку задається "Anti allergy Rinse" (Протиалергійне полоскання), яке дозволяє обрати три додаткових полоскання на додаток до стандартного, щоб видалити основні алергени, такі як пилок, кліщі, котяча і собача шерсть. Ще раз натисніть кнопку, щоб повернутися до "Normal Rinse" (Нормального) ополіскування. Якщо неможливо задати або змінити існуючі параметри, на дисплеї з'явиться напис "Not allowed" (Не дозволено).

Модифікація характеристик циклу.

- Натисніть на кнопку для активації функції; увімкнеться відповідна індикаторна лампа.
 - Натисніть знову на кнопку, щоб відмінити функцію; індикаторна лампа згасне.
- ! При виборі обранні функції, несумісної з заданою програмою, індикаторна лампа почне блимати й цю функцію не буде активовано.**
! Якщо вибрана функція не є сумісною з іншою, раніше вибраною, індикаторна лампа попередньої функції почне блимати, при цьому буде активовано тільки останню функцію, запалиться індикаторна лампа активованої функції.
! Функції можуть змінювати рекомендоване завантаження та/або тривалість циклу.
- 7. ЗАПУСК ПРОГРАМИ.** Натисніть кнопку START/PAUSE. Відповідна індикаторна лампа засвітиться зеленим світлом, при цьому люк буде заблоковано (світлитиметься позначка ЛЮК ЗАБЛОКОВАНО ) Під час прання на дисплеї з'являється назва поточної фази. Для зміни програми під час виконання циклу виведіть машину в режим паузи, натиснувши на START/PAUSE (індикаторна кнопка START/PAUSE блиматиме померанцевим кольором з повільними інтервалами); виберіть бажаний цикл та знову натисніть кнопку START/PAUSE. Щоб відкрити дверцята люку під час виконання циклу натисніть на кнопку START/PAUSE; якщо індикаторна лампа ЛЮК ЗАБЛОКОВАНО  згасне, це означає, що люк можна відкрити (Приблизно через 3 хвилини). Знову натисніть на кнопку START/PAUSE, щоб запуснути програму з того місця, де її було перервано.
 - 8. ЗАВЕРШЕННЯ ПРОГРАМИ.** На це вказує надпис "END OF CYCLE" на дисплеї; коли згасне позначка ЛЮК ЗАБЛОКОВАНО , люк можна відкрити (Приблизно через 3 хвилини). Відкрийте люк, витягніть білизну й вимкніть машину.
! Для відміни вже працюючого циклу натисніть кнопку , утримуючи її, й цикл буде перервано, після чого машина вимкнеться.

Таблиця програм

Програми	Опис програми	Макс. темп. (°C)	Макс. швидкість (обертів за хвилину)	Миючий засіб				Макс. завантаження (кг)	Остаточна вологість (%)	Споживання електроенергії (kWh)	Загальна кількість води (л)	Тривалість циклу
				Попереднє прання	Прання	Відбілювач	Пом'якшувач					
	Антикорозійний	40°	1200	●	●	-	●	4	-	-	-	*
	бавовна (шляхом другого натискання на кнопку): дуже забруднені стійкі білі та кольорові тканини.	60° (Max. 90°)	1200	●	●	●	●	7	-	-	-	*
	Бавовна (шляхом одного натискання на кнопку): Злегка забруднені делікатні білі та кольорові тканини.	20°	1200	-	●	●	●	7	-	-	-	*
	Ехо бавовна (1) (шляхом третього натискання на кнопку): дуже забруднені стійкі білі та кольорові тканини.	60°	1200	-	●	-	●	7	53	1,02	52,5	200'
	Ехо Бавовна (2) (шляхом третього натискання на кнопку): Злегка забруднені делікатні білі та кольорові тканини.	40°	1200	-	●	-	●	7	53	0,99	78	175'
	Синтетичні (шляхом одного натискання на кнопку): дуже забруднені кольорові стійкі тканини.	60°	1000	●	●	●	●	3,5	49	0,91	53	110'
	Синтетичні (шляхом одного натискання на кнопку) (3): ніжні кольори злегка забруднені.	40°	1000	●	●	●	●	3,5	-	-	-	*
	Синтетичні (шляхом другого натискання на кнопку): ніжні кольори злегка забруднені.	40°	1000	●	●	●	●	3,5	-	-	-	*
	MIX 60' (шляхом одного натискання на кнопку): Для швидкого освіження забруднених речей (не рекомендоване для вовняних, шовкових речей або речей для ручного прання).	60°	1200	-	●	-	●	3,5	-	-	-	*
	MIX 30' (шляхом другого натискання на кнопку): Для швидкого освіження злегка забруднених речей (не рекомендоване для вовняних, шовкових речей або речей для ручного прання).	30°	800	-	●	-	●	3	71	0,19	39	30'
M	My Cycle: утримуйте кнопку натиснутою, щоб внести у пам'ять цикл та власні налаштування											
	Білизна за тиждень: для постільної білизни і банного приладдя.	60°	1200	●	●	-	●	7	-	-	-	*
	Вовна: для речей з вовни, кашеміру, тощо.	40°	800	-	●	-	●	1,5	-	-	-	*
	Делікатне	30°	0	-	●	-	●	1	-	-	-	*
	Віджим (шляхом другого натискання на кнопку)	-	1200	-	-	-	-	7	-	-	-	*
	ополіскування (шляхом одного натискання на кнопку)	-	1200	-	-	-	●	7	-	-	-	*
	Злив (шляхом третього натискання на кнопку)	-	0	-	-	-	-	7	-	-	-	*

* Тривалість програм відображується на дисплеї.

Тривалість циклу, вказана на дисплеї або в керівництві, розрахована на основі стандартних умов роботи. Фактичний час може залежати від чисельних факторів, таких як температура і тиск подаваної води, температура у приміщенні, кількість миючого засобу, кількість і тип завантаженої білизни, зрівноваження завантаженої білизни, додаткові обрані опції.

1) Програма керування згідно до норми 1061/2010: встановити програму 60°C (шляхом третього натискання на кнопку) з температурою 60°C.

Цей цикл призначений для прання бавовняних речей із звичайним ступенем забруднення. Ефективність циклу підвищується завдяки комбінованому споживанню енергії та води. Він має використовуватися для речей, які придатні для прання при температурі 60°C. Фактична температура прання може дещо відрізнитися від заявленої.

2) Довга програма бавовна: встановити програму 60°C (шляхом третього натискання на кнопку) з температурою 40°C (натисніть кнопку **ТЕМПЕРАТУРА**).

Цей цикл призначений для прання бавовняних речей із звичайним ступенем забруднення. Ефективність циклу підвищується завдяки комбінованому споживанню енергії та води. Він має використовуватися для речей, які придатні для прання при температурі 40°C. Фактична температура прання може дещо відрізнитися від заявленої.

Для всіх Установ з проведення випробувань:

2) Програма тривалого прання речей з бавовни: встановити програму 60°C (шляхом третього натискання на кнопку) з температурою 40°C (натисніть кнопку **ТЕМПЕРАТУРА**).

3) Програма тривалого прання синтетичних речей: встановити програму 60°C (шляхом одного натискання на кнопку) з температурою 40°C.

Функції прання

! При виборі обрані функції, несумісної з заданою програмою, індикаторна лампа почне блимати й цю функцію не буде активовано.

! Якщо вибрана функція не є сумісною з іншою, раніше вибраною, індикаторна лампа попередньої функції почне блимати, при цьому буде активовано тільки останню функцію, запалиться індикаторна лампа активованої функції.

Попереднє прання

Вибір цієї функції вмикає попереднє прання, яке є корисним для видалення стійких плям.

Увага: Додайте миючий засіб у відповідне відділення.

Полегшене прасування

При виборі даної функції режими прання і віджиму будуть відповідно змінені для зменшення утворення складок. Наприкінці циклу пральна машина виконає повільні оберти барабану;

Індикаторні лампи функцій **ПОЛЕГШЕНОГО ПРАННЯ** блиматимуть, а на дисплеї з'явиться надпис "END OF CYCLE". Для завершення циклу натисніть на кнопку **START/PAUSE** або на кнопку **ПОЛЕГШЕНОГО ПРАСУВАННЯ**.

Eco wash

Функція Eco Wash сприяє енергозбереженню, тому що не відбувається нагрівання води для прання – користь для довкілля і для користувача завдяки зменшеному рахунку за електроенергію. Дійсно, посилена дія й оптимізоване споживання води гарантують добрі результати, при цьому тривалість дорівнюватиме часу стандартного циклу. Щоб отримати найкращі результати прання, рекомендується вживати рідкий засіб.

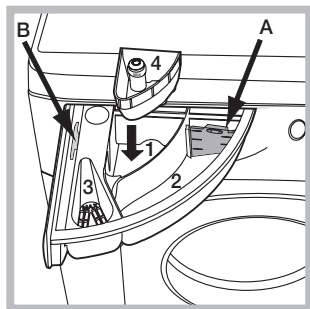
Миючі засоби і білизна

UA

Касета з миючим засобом

Добрий результат прання залежить також від правильного дозування миючого засобу: надлишок миючого засобу приведе до неефективного прання та сприятиме утворенню накипу всередині пральної машини, а також забрудненню довкілля.

! Не використовуйте миючі засоби для ручного прання, тому що вони утворюють надто багато піни.



Вийміть касету для миючих засобів та додайте миючі засоби або присадки, як вказано нижче.

ванночка 1: Засіб для попереднього прання (порошковий)

Перш ніж додати пральний засіб, перевірте, щоб не була вставлена додаткова ванночка 4.

ванночка 2: Засіб для прання (порошковий чи рідкий)

Якщо використовується рідкий пральний засіб, рекомендується застосовувати вимірювальний компонент **A** з комплекту постачання для правильного дозування. При використанні порошкового прального засобу вставте цей компонент у нішу **B**.

ванночка 3: Засоби з догляду (пом'якшувач, тощо)

Пом'якшувач не має витікати з решітки.

додаткова ванночка 4: Відбілювач


Підготовка білизни


- Розділіть білизну, враховуючи:
 - тип тканини / позначку на етикетці.
 - кольори: відокремте кольорові речі від білих.
- Перевірте кишені й гудзики.
- Не перевищуйте вказані значення щодо ваги сухої білизни: (див. "Таблиця програм").


Скільки важить білизна?

- 1 простирадло 400-500 г
- 1 наволочка 150-200 г
- 1 скатертина 400-500 г
- 1 махровий халат 900-1 200 г
- 1 рушник 150-250 г

Особливі програми

Антикорозійний: Програма  призначена для прання дуже забруднених речей зі стійким фарбуванням. Програма гарантує вищий у порівнянні зі стандартним клас прання (клас A). Не застосовуйте у цій програмі речі різних кольорів. Рекомендується використання миючих засобів у порошку. Стійкі плями краще обробити попередньо спеціальними засобами.


Бавовна : ідеальна для бавовняних забруднених речей. Добре прання, в тому числі у холодній воді, яке можна порівняти з пранням при 40°, гарантується механічною роботою, яка здійснюється на змінній швидкості із частими повторюваними піками.


Білизна для ванної і постільна білизна: ця пральна машина дозволяє випрати білизну для ванної і постільну білизну за допомогою єдиної програми , що оптимізує використання пом'якшувача й заощаджує час і енергію. Рекомендується використання порошкових миючих засобів.

Вовна - Woolmark Apparel Care - Green:

Цикл прання "Вовна" у цій пральній машині протестований і підтверджений компанією Woolmark для прання вовняних виробів, класифікованих для ручного прання, за умови дотримання інструкцій на етикетці виробу та вказівок від виробника цієї пральної машини. (M1253)



Делікатне: використовуйте програму  для прання дуже делікатних речей, наприклад, зі стразами або іншими оздобленнями.

Для прання **шовкових** речей або **порт'єр** оберіть "Delicate" (Делікатне) прання в опції .

Перш ніж запускати прання, рекомендується вивернути речі навиворіт і вкласти дрібні речі в спеціальний мішечок для прання делікатних речей. Кращі результати досягаються при використанні рідкого прального засобу для делікатних речей.

Система балансування завантаженню

Перед кожним віджимом, для запобігання надмірній вібрації та для рівномірного розподілу навантаження, барабан здійснює оберти на дещо більшій швидкості, ніж швидкість прання. Якщо по закінченні декількох спроб завантажені речі ще не були правильно відбалансовані, машина здійснює віджим на швидкості, нижчій від передбаченої. У випадку надмірної незбалансованості пральна машина здійснює розподіл замість віджиму. З метою оптимального розподілу завантаження та його правильного балансування рекомендується одночасне прання великих і малих речей.

Може трапитися так, що пральна машина не буде працювати. До того як зателефонувати у Сервісний центр (див. "Допомога"), перевірте, чи не є дана несправність проблемою, що легко вирішується, звернувшись до списку нижче.

Несправності:

Можливі причини/Рішення:

Пральна машина не вмикається.

- Штепсель не вставлений в електричну розетку або вставлений не до кінця.
- У будинку немає електроенергії.

Цикл прання не розпочинається.

- Погано закритий люк.
- Кнопку ON/OFF не було натиснуто.
- Кнопку START/PAUSE не було натиснуто.
- Водопровідний кран закритий.
- Якщо відстрочення задане на час запуску (див. "Як здійснювати цикл прання").

Пральна машина не завантажує воду (На дисплеї з'явиться надпис "No water, check supply").

- Шланг подачі води не підключено до водопровідного крану.
- Перегин у шлангу.
- Водопровідний кран закритий.
- У водопроводі немає води.
- Недостатній тиск.
- Кнопку START/PAUSE не було натиснуто.

Машина безперервно завантажує і зливає воду.

- Зливний шланг не знаходиться на відстані від 65 до 100 см від підлоги (див. "Встановлення").
 - Кінець зливного шланга занурений у воду (див. "Встановлення").
 - Стінний каналізаційний злив не має віддушини для виходу повітря.
- Якщо після таких перевірок проблема залишається, закрийте водопровідний кран, вимкніть машину і зателефонуйте у Сервісний центр. Якщо квартира знаходиться на верхніх поверхах будинку, можливо, відбувається сифонний ефект, при якому машина безперервно завантажує й зливає воду. Щоб його ліквідувати, існують спеціальні антисифонні клапани, які можна придбати у торговельній мережі.

Пральна машина не зливає воду чи не віджимає.

- Програма не передбачає зливання: у деяких програмах його потрібно вмикати вручну (див. "Програми та функції").
- Активовано функцію ПОЛЕГШЕНОГО ПРАСУВАННЯ для завершення програми натисніть на кнопку START/PAUSE ("Програми та функції").
- Перегин зливного шланга (див. "Встановлення").
- Засмітився зливний шланг.

Пральна машина дуже вібрує під час віджиму.

- Барабан, у момент встановлення, не був правильно розблокований (див. "Встановлення").
- Машина стоїть не на плоскій поверхні (див. "Встановлення").
- Машину затиснуто між меблями і стіною (див. "Встановлення").

Пральна машина пропускає воду.

- Погано пригвинчений шланг подачі води (див. "Встановлення").
- Забруднена касета для миючих засобів (як вимити див. "Технічне обслуговування і догляд").
- Погано закріплений зливний шланг (див. "Встановлення").

Машину заблоковано, дисплей блимає та вказує код неполадки (напр.: F-01, F-..).

- Вимкніть машину й витягніть штепсель з розетки, зачекайте близько 1 хвилини й увімкніть її повторно.
- Якщо несправність не усунено, зателефонуйте у Сервісний центр.

Утворюється занадто багато піни.

- Миючий засіб не підходить для пральної машини (має бути напис "для машинного прання", "для ручного й машинного прання", або подібний).
- Перевищена доза миючого засобу.

Допомога

UA

Перш ніж телефонувати у Сервісний центр:

- Перевірте, чи можна самостійно вирішити проблему (див. "Несправності і засоби їх усунення");
- Запустіть програму повторно, щоб перевірити чи усунено несправність;
- Якщо ні, зв'яжіться з авторизованим Сервісним Центром, зателефонувавши за номером, вказаним у гарантійному свідоцтві.

! Звертайтеся виключно до уповноважених фахівців.

Повідомити:

- тип несправності;
- модель машини (Мод.);
- серійний номер (С/Н).

Цю інформацію ви знайдете на заводській табличці позаду пральної машини та в її передній частині, якщо ви відкриєте люк.

COMMISSION DELEGATED REGULATION (EU) No 1061/2010	
Торговельна марка	HOTPOINT/ARISTON
Модель	WMSD 723B EU.L
Номінальна завантаженість для стандартної програми прання бавовни, кг	7
Клас енергоефективності	A+++
Середньозважений річний обсяг енергоспоживання, кВт/г на рік ¹⁾	173
Обсяг споживання електроенергії при стандартній програмі "Бавовна 60°C" при повному завантаженні, кВт ²⁾	1.02
Обсяг споживання електроенергії при стандартній програмі "Бавовна 60°C" при частковому завантаженні, кВт ²⁾	0.585
Обсяг споживання електроенергії при стандартній програмі "Бавовна 40°C" при частковому завантаженні, кВт ²⁾	0.55
Середньозважена споживча потужність в режимі "вимкнено", Вт	0.5
Середньозважена споживча потужність в режимі очікування, Вт	8
Середньозважений річний обсяг споживання води, літрів на рік ³⁾	10670
Клас ефективності віджимання за шкалою від G (найменш ефективний) до A (найбільш ефективний)	B
Максимальна швидкість обертів барабана ⁴⁾	1200
Залишковий вміст вологи ⁵⁾	53.0%
Час виконання стандартної програми "Бавовна 60°C" при повному завантаженні, хвилин	200
Час виконання стандартної програми "Бавовна 60°C" при частковому завантаженні, хвилин	150
Час виконання стандартної програми "Бавовна 40°C" при частковому завантаженні, хвилин	145
Тривалість режиму очікування, хвилин	30
Рівень акустичного поширення шуму в повітрі під час прання, 1 пВт, дБА ⁶⁾	58
Рівень акустичного поширення шуму в повітрі під час віджимання, 1 пВт, дБА ⁶⁾	74
Вбудовані моделі	

¹⁾ З урахуванням 220 стандартних циклів прання для програми прання бавовни при температурі 60 і 40° С при повному та частковому завантаженні (фактичне споживання води залежить від використання побутової пральної машини)

²⁾ Стандартні цикли прання "Бавовна 60°C" при повному або частковому завантаженні, та стандартний цикл прання "Бавовна 40°C" при частковому завантаженні є стандартними програмами прання, яких стосується інформація на етикетці. Стандартна програма прання бавовни при температурі 60 і 40° С є програмою для прання, очищення звичайно забрудненої бавовни і найбільш ефективною для споживання енергії та води. Часткове завантаження становить половину номінального завантаження.

³⁾ З урахуванням 220 стандартних циклів прання для програми прання бавовни при температурі 60 і 40° С при повному та частковому завантаженні (фактичне споживання води залежить від використання побутової пральної машини).

⁴⁾ визначається як мінімальна у результаті порівняння швидкості обертів барабана під час прання при температурі 60°C при повному завантаженні та температурі 40°C при частковому завантаженні;

⁵⁾ визначається як максимальний у результаті порівняння залишкового вмісту вологи під час прання при температурі 60° С при повному завантаженні та температурі 40° С при частковому завантаженні

⁶⁾ На підставі прання та віджимання для стандартного цикла "Бавовна 60°C" при повному завантаженні.

ТОВ «Індезіт Україна»
Україна, 01001, м. Київ,
пров. Музейний, 4

IT

Italiano

WMSD 723

Sommario

IT

Installazione, 38-39

Disimballo e livellamento
Collegamenti idraulici ed elettrici
Primo ciclo di lavaggio
Dati tecnici

Manutenzione e cura, 40

Escludere acqua e corrente elettrica
Pulire la lavabiancheria
Pulire il cassetto dei detersivi
Curare oblò e cestello
Pulire la pompa
Controllare il tubo di alimentazione dell'acqua

Precauzioni e consigli, 41

Sicurezza generale
Smaltimento

Descrizione della lavabiancheria, 42-43

Pannello di controllo
Display

Come effettuare un ciclo di lavaggio, 44

Programmi e funzioni, 45

Tabella dei programmi
Funzioni di lavaggio

Detersivi e biancheria, 46

Cassetto dei detersivi
Preparare la biancheria
Programmi particolari
Sistema bilanciamento del carico

Anomalie e rimedi, 47

Assistenza, 48

Assistenza Attiva 7 giorni su 7

Installazione

IT

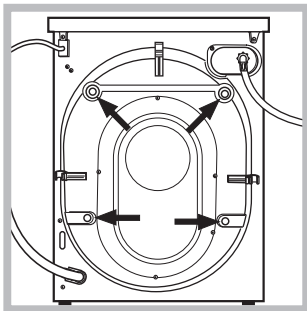
! È importante conservare questo libretto per poterlo consultare in ogni momento. In caso di vendita, di cessione o di trasloco, assicurarsi che resti insieme alla lavabiancheria per informare il nuovo proprietario sul funzionamento e sui relativi avvertimenti.

! Leggere attentamente le istruzioni: ci sono importanti informazioni sull'installazione, sull'uso e sulla sicurezza.

Disimballo e livellamento

Disimballo

1. Disimballare la lavabiancheria.
2. Controllare che la lavabiancheria non abbia subito danni nel trasporto. Se fosse danneggiata non collegarla e contattare il rivenditore.



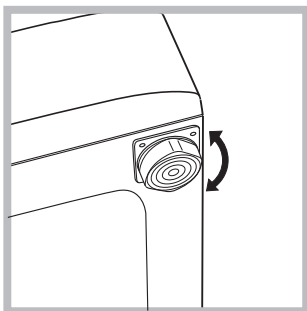
3. Rimuovere le 4 viti di protezione per il trasporto e il gommino con il relativo distanziale, posti nella parte posteriore (vedi figura).

4. Chiudere i fori con i tappi di plastica in dotazione.
5. Conservare tutti i pezzi: qualora la lavabiancheria debba essere trasportata, dovranno essere rimontati.

! Gli imballaggi non sono giocattoli per bambini.

Livellamento

1. Installare la lavabiancheria su un pavimento piano e rigido, senza appoggiarla a muri, mobili o altro.

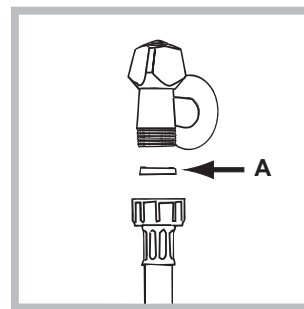


2. Se il pavimento non fosse perfettamente orizzontale, compensare le irregolarità svitando o avvitando i piedini anteriori (vedi figura); l'angolo di inclinazione, misurato sul piano di lavoro, non deve superare i 2°.

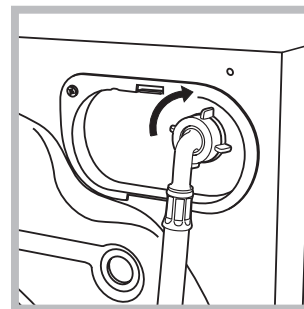
Un accurato livellamento dà stabilità alla macchina ed evita vibrazioni, rumori e spostamenti durante il funzionamento. In caso di moquette o di un tappeto, regolare i piedini in modo da conservare sotto la lavabiancheria uno spazio sufficiente per la ventilazione.

Collegamenti idraulici ed elettrici

Collegamento del tubo di alimentazione dell'acqua



1. Inserire la guarnizione A nell'estremità del tubo di alimentazione e avvitarlo a un rubinetto d'acqua fredda con bocca filettata da 3/4 gas (vedi figura). Prima di allacciare, far scorrere l'acqua finché non sia limpida.



2. Collegare il tubo di alimentazione alla lavabiancheria avvitandolo all'apposita presa d'acqua, nella parte posteriore in alto a destra (vedi figura).

3. Fare attenzione che nel tubo non ci siano né pieghe né strozzature.

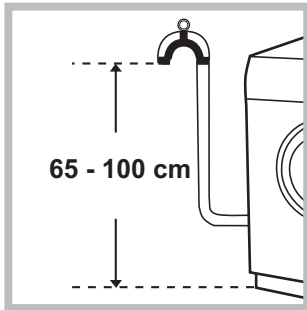
! La pressione idrica del rubinetto deve essere compresa nei valori della tabella Dati tecnici (vedi pagina a fianco).

! Se la lunghezza del tubo di alimentazione non fosse sufficiente, rivolgersi a un negozio specializzato o a un tecnico autorizzato.

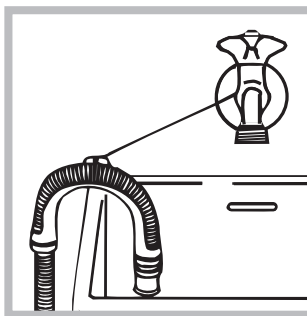
! Non utilizzare mai tubi già usati.

! Utilizzare quelli in dotazione alla macchina.

Collegamento del tubo di scarico



Collegare il tubo di scarico, senza piegarlo, a una condotta di scarico o a uno scarico a muro posti tra 65 e 100 cm da terra;



oppure appoggiarlo al bordo di un lavandino o di una vasca, legando la guida in dotazione al rubinetto (vedi figura). L'estremità libera del tubo di scarico non deve rimanere immersa nell'acqua.

! È sconsigliato usare tubi di prolunga; se indispensabile, la prolunga deve avere lo stesso diametro del tubo originale e non superare i 150 cm.

Collegamento elettrico

Prima di inserire la spina nella presa della corrente, accertarsi che:

- la presa abbia la messa a terra e sia a norma di legge;
- la presa sia in grado di sopportare il carico massimo di potenza della macchina, indicato nella tabella Dati tecnici (vedi a fianco);
- la tensione di alimentazione sia compresa nei valori indicati nella tabella Dati tecnici (vedi a fianco);
- la presa sia compatibile con la spina della lavabiancheria. In caso contrario sostituire la presa o la spina.

! La lavabiancheria non va installata all'aperto, nemmeno se lo spazio è riparato, perché è molto pericoloso lasciarla esposta a pioggia e temporali.

! A lavabiancheria installata, la presa della corrente deve essere facilmente raggiungibile.

! Non usare prolunghe e multiple.

! Il cavo non deve subire piegature o compressioni.

! Il cavo di alimentazione deve essere sostituito solo da tecnici autorizzati.

Attenzione! L'azienda declina ogni responsabilità qualora queste norme non vengano rispettate.

Primo ciclo di lavaggio

Dopo l'installazione, prima dell'uso, effettuare un ciclo di lavaggio con detersivo e senza biancheria impostando il programma "Auto Pulizia" (vedi "Pulire la lavabiancheria").

Dati tecnici

Modello WMSD 723

Dimensioni larghezza cm 59,5
altezza cm 85
profondità cm 43,5

Capacità da 1 a 7 kg

Collegamenti elettrici vedi la targhetta caratteristiche tecniche applicata sulla macchina

Collegamenti idrici pressione massima 1 MPa (10 bar)
pressione minima 0,05 MPa (0,5 bar)
capacità del cesto 48 litri

Velocità di centrifuga sino a 1200 giri al minuto

Programmi di controllo secondo la direttiva 1061/2010 1015/2010 programma  (60°C) (3° pressione del tasto); Eco Cotone 60°C.
programma  (40°C) (3° pressione del tasto); Eco Cotone 40°C.



Questa apparecchiatura è conforme alle seguenti Direttive Comunitarie:
- 2004/108/CE (Compatibilità Elettromagnetica)
- 2012/19/EU (WEEE)
- 2006/95/CE (Bassa Tensione)

Manutenzione e cura

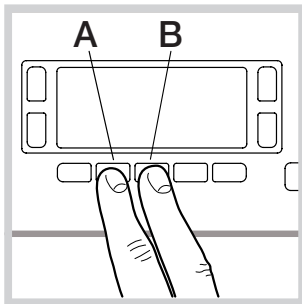
IT

Escludere acqua e corrente elettrica

- Chiudere il rubinetto dell'acqua dopo ogni lavaggio. Si limita così l'usura dell'impianto idraulico della lavabiancheria e si elimina il pericolo di perdite.
- Staccare la spina della corrente quando si pulisce la lavabiancheria e durante i lavori di manutenzione.

Pulire la lavabiancheria

- La parte esterna e le parti in gomma possono essere puliti con un panno imbevuto di acqua tiepida e sapone. Non usare solventi o abrasivi.
- La lavabiancheria è dotata di un programma di "Auto Pulizia" delle parti interne che deve essere effettuato **senza alcun tipo di carico nel cesto**.

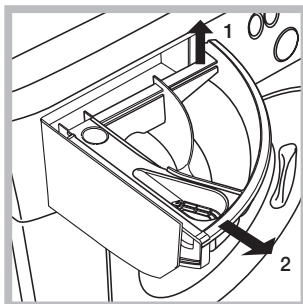


Il detersivo (nella quantità pari al 10% di quella consigliata per capi poco sporchi) o additivi specifici per la pulizia della lavabiancheria, potranno essere utilizzati come coadiuvanti nel programma di lavaggio. Si consiglia di effettuare il programma di pulizia

ogni 40 cicli di lavaggio.

Per attivare il programma premere contemporaneamente il tasto **A** e **B** per 5 sec. (vedi figura). Il programma partirà automaticamente ed avrà una durata di circa 70 minuti. Per fermare il ciclo premere il tasto START/PAUSE.

Pulire il cassetto dei detersivi



Sfilare il cassetto sollevandolo e tirandolo verso l'esterno (vedi figura). Lavarlo sotto l'acqua corrente; questa pulizia va effettuata frequentemente.

Curare oblò e cestello

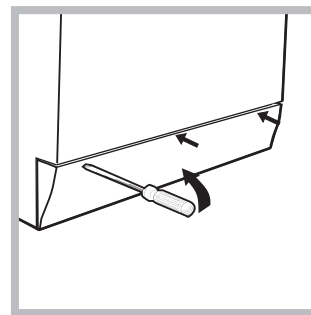
- Lasciare sempre socchiuso l'oblò per evitare che si formino cattivi odori.

Pulire la pompa

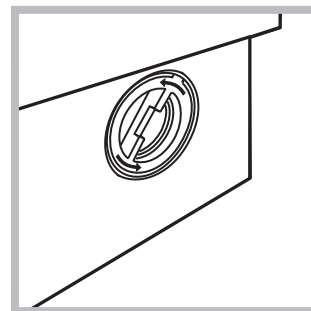
La macchina è dotata di una pompa autopulente che non ha bisogno di manutenzione. Può però succedere che piccoli oggetti (monete, bottoni) cadano nella precamera che protegge la pompa, situata nella parte inferiore di essa.

! Assicurarsi che il ciclo di lavaggio sia terminato e staccare la spina.

Per accedere alla precamera:



1. rimuovere il pannello di copertura sul lato anteriore della macchina con l'ausilio di un giravite (vedi figura);



2. svitare il coperchio ruotandolo in senso antiorario (vedi figura): è normale che fuoriesca un po' d'acqua;

3. pulire accuratamente l'interno;
4. riavvitare il coperchio;
5. rimontare il pannello assicurandosi, prima di spingerlo verso la macchina, di aver inserito i ganci nelle apposite asole.

Controllare il tubo di alimentazione dell'acqua

Controllare il tubo di alimentazione almeno una volta all'anno. Se presenta screpolature e fessure va sostituito: durante i lavaggi le forti pressioni potrebbero provocare improvvise spaccature.

! Non utilizzare mai tubi già usati.

! La lavabiancheria è stata progettata e costruita in conformità alle norme internazionali di sicurezza. Queste avvertenze sono fornite per ragioni di sicurezza e devono essere lette attentamente.

Sicurezza generale

- Questo apparecchio è stato concepito esclusivamente per un uso di tipo domestico.
- Questo apparecchio può essere usato da bambini da 8 anni in su e da persone con capacità fisiche, sensoriali o mentali ridotte o con esperienza e conoscenze insufficienti se sono supervisionati o se hanno ricevuto adeguata formazione in merito all'uso dell'apparecchio in modo sicuro e capendo i pericoli connessi. I bambini non devono giocare con l'apparecchio. Manutenzione e pulizia non devono essere effettuati dai bambini senza supervisione.
- Non toccare la macchina a piedi nudi o con le mani o i piedi bagnati o umidi.
- Non staccare la spina dalla presa della corrente tirando il cavo, bensì afferrando la spina.
- Non aprire il cassetto dei detersivi mentre la macchina è in funzione.
- Non toccare l'acqua di scarico, che può raggiungere temperature elevate.
- Non forzare in nessun caso l'oblò: potrebbe danneggiarsi il meccanismo di sicurezza che protegge da aperture accidentali.
- In caso di guasto, in nessun caso accedere ai meccanismi interni per tentare una riparazione.
- Controllare sempre che i bambini non si avvicinino alla macchina in funzione.
- Durante il lavaggio l'oblò tende a scaldarsi.
- Se dev'essere spostata, lavorare in due o tre persone con la massima attenzione. Mai da soli perché la macchina è molto pesante.
- Prima di introdurre la biancheria controlla che il cestello sia vuoto.

Smaltimento

- Smaltimento del materiale di imballaggio: attenersi alle norme locali, così gli imballaggi potranno essere riutilizzati.
- La direttiva Europea 2012/19/EU (WEEE) sui rifiuti di apparecchiature elettriche ed elettroniche (RAEE), prevede che gli elettrodomestici non debbano essere smaltiti nel normale flusso dei rifiuti solidi urbani. Gli apparecchi dismessi devono essere raccolti separatamente per ottimizzare il tasso di recupero e riciclaggio dei materiali che li compongono ed impedire potenziali danni per la salute e l'ambiente.

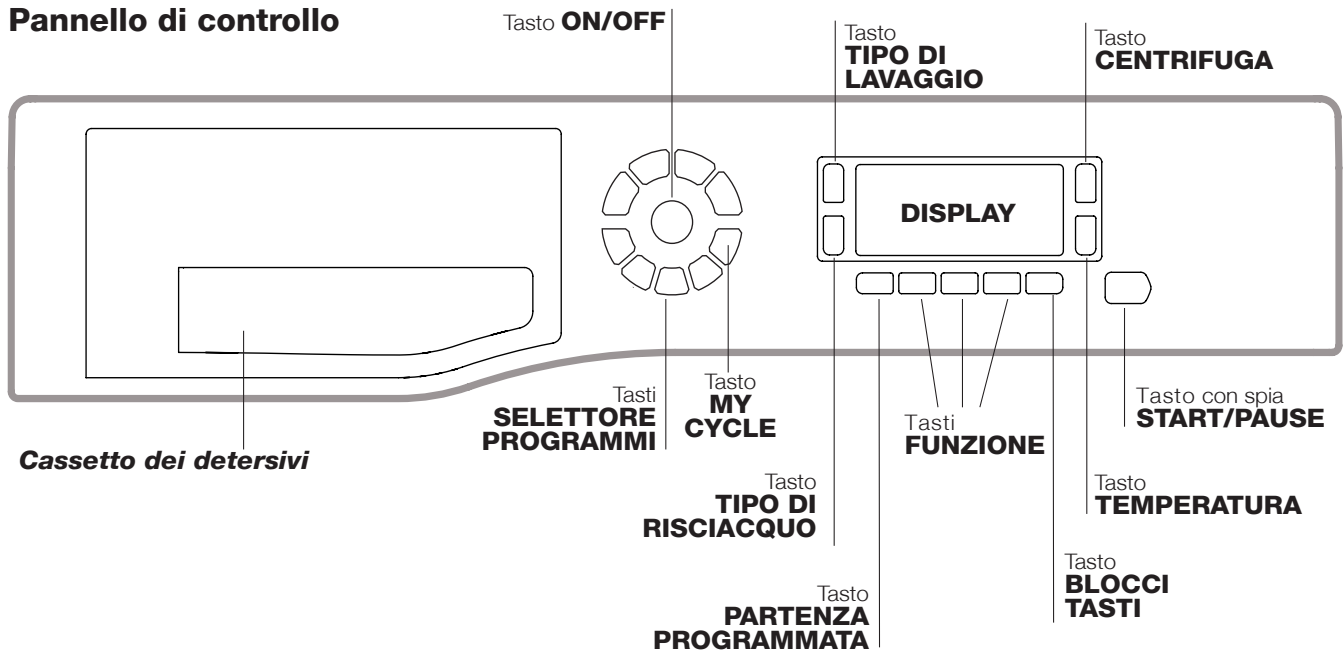
Il simbolo del cestino barrato è riportato su tutti i prodotti per ricordare gli obblighi di raccolta separata. Quando si acquista una nuova apparecchiatura equivalente si può consegnare il RAEE al negoziante, che è tenuto a ritirarlo gratuitamente; i RAEE di "piccolissime dimensioni" (nessun lato sopra i 25 cm) possono essere consegnati gratuitamente ai negozianti anche se non si acquista nulla (solo nei negozi con superficie di vendita superiore a 400 mq).

Per ulteriori informazioni, sulla corretta dismissione degli elettrodomestici, i detentori potranno rivolgersi al servizio pubblico preposto o ai rivenditori.


Descrizione della lavabiancheria

IT

Pannello di controllo



Cassetto dei detersivi: per caricare detersivi e additivi (vedi "Detersivi e biancheria").

Tasto **ON/OFF** : premere brevemente il tasto per accendere o spegnere la macchina. La spia START/PAUSE che lampeggia lentamente di colore verde indica che la macchina è accesa. Per spegnere la lavabiancheria durante il lavaggio è necessario tenere premuto il tasto più a lungo, circa 3 sec.; una pressione breve o accidentale non permetterà lo spegnimento della macchina.

Lo spegnimento della macchina durante un lavaggio in corso annulla il lavaggio stesso.

Tasti **SELETTORE PROGRAMMI:** per impostare il programma desiderato (vedi "Tabella dei programmi").

Tasto **MY CYCLE:** tenere premuto il tasto per memorizzare un ciclo e le proprie personalizzazioni preferite. Per richiamare un ciclo precedentemente memorizzato premere il tasto MY CYCLE.

Tasti **FUNZIONE:** premere il tasto per selezionare la funzione desiderata. Sul display si illuminerà la spia relativa.

Tasto **TIPO DI LAVAGGIO** : premere per selezionare l'intensità di lavaggio desiderata.

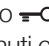
Tasto **TIPO DI RISCIAQUO** : premere per selezionare il tipo di risciacquo desiderato.

Tasto **CENTRIFUGA** : premere per ridurre o escludere del tutto la centrifuga; il valore viene indicato nel display.

Tasto **TEMPERATURA** : premere per ridurre la temperatura; il valore viene indicato nel display.

Tasto **BLOCCO TASTI** : per **attivare** il blocco del pannello di controllo, tenere premuto il tasto per circa 2 secondi. Il simbolo  acceso indica che il pannello di controllo è bloccato (ad eccezione del tasto ON/OFF). In questo modo si impediscono modifiche accidentali dei programmi, soprattutto se in casa ci sono dei bambini. Per **disattivare** il blocco del pannello di controllo, tenere premuto il tasto per circa 2 secondi.

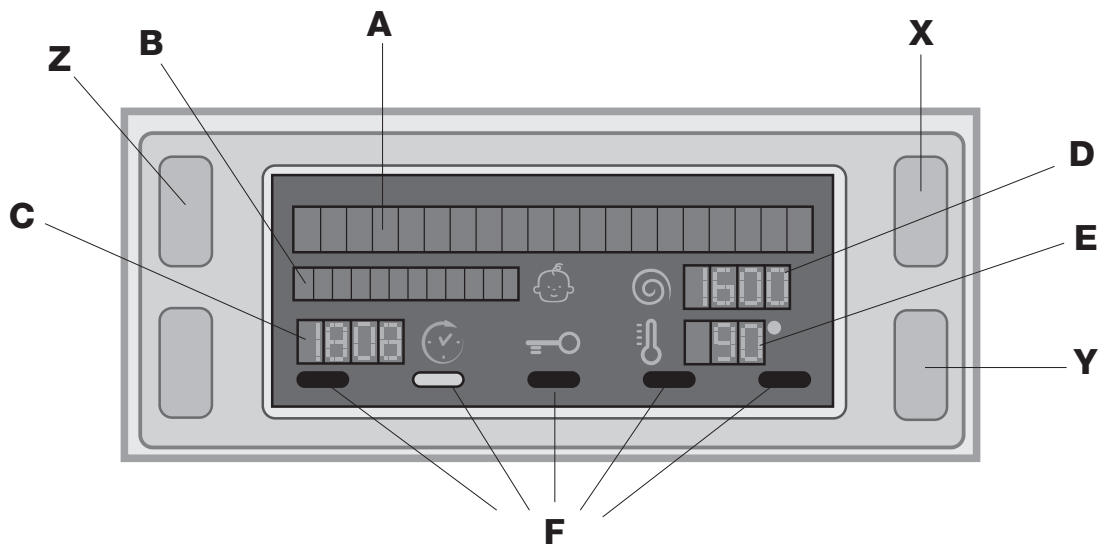
Tasto **PARTENZA RITARDATA** : premere per impostare una partenza ritardata del programma prescelto; il ritardo viene indicato nel display.

Tasto con spia **START/PAUSE:** quando la spia verde lampeggia lentamente, premere il tasto per avviare un lavaggio. A ciclo avviato la spia diventa fissa. Per mettere in pausa il lavaggio, premere nuovamente il tasto; la spia lampeggerà con colore arancione. Se il simbolo  non è illuminato, si potrà aprire l'oblò (attendere 3 minuti circa). Per far ripartire il lavaggio dal punto in cui è stato interrotto, premere nuovamente il tasto.

Modalità di stand by

Questa lavatrice, in conformità alle nuove normative legate al risparmio energetico, è dotata di un sistema di autospegnimento (stand by) che entra in funzione dopo circa 30 minuti nel caso di non utilizzo. Premere brevemente il tasto ON/OFF e attendere che la macchina si riattivi.

Display



Il display è utile per programmare la macchina e fornisce molteplici informazioni.

Nelle due stringhe superiori **A** e **B** vengono visualizzati il programma di lavaggio selezionato, la fase di lavaggio in corso e tutte le indicazioni relative allo stato d'avanzamento del programma.

Nella stringa **C** viene visualizzato il tempo residuo alla fine del ciclo di lavaggio in corso e nel caso fosse stata impostata una PARTENZA RITARDATA, il tempo mancante all'avvio del programma selezionato.

Nell'area **D** viene visualizzato il valore massimo della velocità della centrifuga che la macchina può effettuare in base al programma impostato; se il programma non prevede la centrifuga l'area resta spenta.

Nell'area **E** viene visualizzato il valore massimo della temperatura che si può selezionare in base al programma impostato; se il programma non prevede l'impostazione della temperatura l'area resta spenta.

Le spie **F** sono relative alle funzioni e si accendono quando la funzione selezionata è compatibile con il programma impostato.

Simbolo **Oblò bloccato**

Il simbolo acceso indica che l'oblò è bloccato per impedire aperture accidentali. Per evitare danni è necessario attendere che il simbolo si spenga prima di aprire l'oblò (attendere 3 minuti circa).

N.B.: se è attiva la funzione PARTENZA RITARDATA l'oblò non si può aprire, per aprirlo mettere la macchina in pausa premendo il tasto START/PAUSE.



! Alla prima accensione verrà richiesto di selezionare la lingua ed il display entrerà automaticamente nel menu di selezione lingua. Per scegliere la lingua desiderata premere i tasti **X** e **Y**, per confermare la scelta premere il tasto **Z**.


Se si vuole cambiare lingua, spegnere la macchina, premere **contemporaneamente** i tasti **X**, **Y**, **Z** fino a sentire un segnale acustico, verrà visualizzato di nuovo il menu di selezione lingua.

Come effettuare un ciclo di lavaggio


IT

1. **ACCENDERE LA MACCHINA.** Premere il tasto , sul display comparirà la scritta "ACCENSIONE IN CORSO"; la spia START/PAUSE lampeggerà lentamente di colore verde.
2. **CARICARE LA BIANCHERIA.** Aprire la porta oblò. Caricare la biancheria facendo attenzione a non superare la quantità di carico indicata nella tabella programmi della pagina seguente.
3. **DOSARE IL DETERSIVO.** Estrarre il cassetto e versare il detersivo nelle apposite vaschette come spiegato in "Detersivi e biancheria".
4. **CHIUDERE L'OBLO'.**
5. **SCEGLIERE IL PROGRAMMA.** Premere uno dei tasti del SELETTORE PROGRAMMI per selezionare il programma desiderato; il nome del programma comparirà sul display; ad esso è associata una temperatura e una velocità di centrifuga che possono essere modificate. Sul display comparirà la durata del ciclo.
6. **PERSONALIZZARE IL CICLO DI LAVAGGIO.** Agire sugli appositi tasti:


 **Modificare la temperatura e/o la centrifuga.** La macchina seleziona automaticamente la temperatura e la centrifuga massime previste per il programma impostato e non possono pertanto essere aumentate. Premendo il tasto  si riduce progressivamente la temperatura sino al lavaggio a freddo "OFF". Premendo il tasto  si riduce progressivamente la centrifuga sino alla sua esclusione "OFF". Un'ulteriore pressione dei tasti riporterà i valori al massimo consentito per il ciclo selezionato.

! Eccezione: selezionando il programma  (60°C) (1ª pressione del tasto) la temperatura può essere portata sino a 90°.



 **Impostare una partenza ritardata.**

Per impostare la partenza ritardata del programma prescelto, premere il tasto relativo fino a raggiungere il tempo di ritardo desiderato. Quando tale opzione è attiva, sul display si illumina il simbolo . Per rimuovere la partenza ritardata premere il tasto fino a che sul display compare la scritta "OFF".

Impostare l'intensità di lavaggio desiderata.

L'opzione  permette di ottimizzare il lavaggio in base al grado di sporco dei tessuti e all'intensità di lavaggio desiderata.

Selezionare il programma di lavaggio, il ciclo viene impostato automaticamente sul livello "Normale", ottimizzato per capi mediamente sporchi, (impostazione non valida per il ciclo "Lana", che si imposta automaticamente sul livello "Delicato").

Per capi molto sporchi premere il tasto  fino al raggiungimento del livello "Lavaggio Intensivo". Questo livello garantisce un lavaggio di alte prestazioni grazie all'utilizzo di una maggiore quantità di acqua nella fase iniziale del ciclo ed una maggiore movimentazione meccanica, ed è utile per eliminare le macchie più resistenti. Può essere utilizzato **con** o **senza** candeggina. Se si desidera effettuare il candeggio inserire la vaschetta aggiuntiva 4, in dotazione, nella vaschetta 1. Nel dosare la candeggina non superare il livello "max" indicato sul perno centrale (vedi figura a pag. 46). Per capi poco sporchi o per un trattamento più delicato dei tessuti, premere il tasto  fino al raggiungimento del livello "Delicato".

Il ciclo ridurrà la movimentazione meccanica per garantire risultati di lavaggio perfetti per i capi delicati.

Impostare il tipo di risciacquo.

L'opzione  consente di selezionare il tipo di risciacquo desiderato per la massima cura delle pelli sensibili. Alla prima pressione del tasto viene impostato il livello "Extra risciacquo" che permette di selezionare un risciacquo aggiuntivo a quelli standard del ciclo, per eliminare tutte le tracce di detersivo. Alla seconda pressione del tasto viene impostato il livello "Pelli Sensibili" che permette di selezionare due risciacqui aggiuntivi a quelli standard del ciclo ed è consigliato per le pelli più sensibili. Alla terza pressione del tasto viene impostato il livello "Anti Allergico" che permette di selezionare tre risciacqui aggiuntivi a quelli standard del ciclo, per rimuovere i principali allergeni come polline, acari, peli del gatto e cane. Premere nuovamente il tasto per tornare al tipo di risciacquo "Risciacquo Normale". Se non è possibile impostare o modificare la regolazione esistente, sul display verrà visualizzato "Non permesso".

Modificare le caratteristiche del ciclo.

- Premere il tasto per attivare la funzione; la spia corrispondente al pulsante si accenderà.
- Premere nuovamente il tasto per disattivare la funzione; la spia si spegnerà.

! Se la funzione selezionata non è compatibile con il programma impostato, la spia lampeggerà e la funzione non verrà attivata.

! Se la funzione selezionata non è compatibile con un'altra precedentemente impostata, la spia relativa alla prima funzione selezionata lampeggerà e verrà attivata solo la seconda, la spia della funzione attivata si illuminerà.

! Le funzioni possono variare il carico raccomandato e/o la durata del ciclo.

7. **AVVIARE IL PROGRAMMA.** Premere il tasto START/PAUSE. La spia relativa si illuminerà di colore verde fisso e l'oblò si bloccherà (simbolo OBLO' BLOCCATO  acceso). Durante il lavaggio, sul display comparirà il nome della fase in corso. Per cambiare un programma mentre un ciclo è in corso, **mettere la lavabiancheria in pausa** premendo il tasto START/PAUSE (la spia START/PAUSE lampeggerà lentamente di colore arancione); selezionare quindi il ciclo desiderato e premere nuovamente il tasto START/PAUSE. Per aprire la porta mentre un ciclo è in corso premere il tasto START/PAUSE; se il simbolo OBLO' BLOCCATO  è spenta sarà possibile aprire l'oblò (attendere 3 minuti circa). Premere nuovamente il tasto START/PAUSE per far ripartire il programma dal punto in cui era stato interrotto.
 8. **FINE DEL PROGRAMMA.** Viene indicata dalla scritta "FINE CICLO" sul display, quando il simbolo OBLO' BLOCCATO  si spegnerà sarà possibile aprire l'oblò (attendere 3 minuti circa). Aprire l'oblò, scaricare la biancheria e spegnere la macchina.
- ! Se si desidera annullare un ciclo già avviato, premere a lungo il tasto . Il ciclo verrà interrotto e la macchina si spegnerà.

Tabella dei programmi

Programmi	Descrizione del Programma	Temp. max. (°C)	Velocità max. (giri al minuto)	Detersivi				Carico max. (Kg)	Umidità residua %	Consumo energia kWh	Acqua totale lt	Durata ciclo
				Prelavaggio	Lavaggio	Candeggina	Ammorbidente					
	Anti Macchia	40°	1200	●	●	-	●	4	-	-	-	*
	Cotone (1° pressione del tasto): bianchi e colorati resistenti molto sporchi.	60° (Max. 90°)	1200	●	●	●	●	7	-	-	-	*
	Cotone (2° pressione del tasto): bianchi e colorati delicati poco sporchi.	20°	1200	-	●	●	●	7	-	-	-	*
	Eco Cotone 60° (1) (3° pressione del tasto): bianchi e colorati resistenti molto sporchi.	60°	1200	-	●	-	●	7	53	1,02	52,5	200'
	Eco Cotone 40° (2) (3° pressione del tasto): bianchi e colorati delicati poco sporchi.	40°	1200	-	●	-	●	7	53	0,99	78	175'
	Sintetici Resistenti (1° pressione del tasto): colori resistenti molto sporchi.	60°	1000	●	●	●	●	3,5	49	0,91	53	110'
	Sintetici Resistenti (3) (1° pressione del tasto): colori resistenti molto sporchi.	40°	1000	●	●	●	●	3,5	-	-	-	*
	Sintetici Delicati (2° pressione del tasto): colori delicati poco sporchi.	40°	1000	●	●	●	●	3,5	-	-	-	*
	Rapido 60' (1° pressione del tasto): per rinfrescare rapidamente capi normalmente (non indicato per lana, seta e capi da lavare a mano).	60°	1200	-	●	-	●	3,5	-	-	-	*
	Rapido 30' (2° pressione del tasto): per rinfrescare rapidamente capi poco sporchi (non indicato per lana, seta e capi da lavare a mano).	30°	800	-	●	-	●	3	71	0,19	39	30'
M	Memo: permette di memorizzare un qualsiasi ciclo di lavaggio.											
	Biancheria 7 giorni: per biancheria da letto e da bagno.	60°	1200	●	●	-	●	7	-	-	-	*
	Woolmark Platinum (Lana): per lana, cachemire, ecc.	40°	800	-	●	-	●	1,5	-	-	-	*
	Delicati	30°	0	-	●	-	●	1	-	-	-	*
	Centrifuga (1° pressione del tasto).	-	1200	-	-	-	-	7	-	-	-	*
	Risciacquo (2° pressione del tasto).	-	1200	-	-	-	●	7	-	-	-	*
	Scarico (3° pressione del tasto).	-	0	-	-	-	-	7	-	-	-	*

* E' possibile controllare la durata dei programmi di lavaggi sul display.

La durata del ciclo indicata sul display o sul libretto è una stima calcolata in base a condizioni standard. Il tempo effettivo può variare in base a numerosi fattori quali la temperatura e la pressione dell'acqua in ingresso, la temperatura ambiente, la quantità di detersivo, la quantità ed il tipo di carico, il bilanciamento del carico, le opzioni aggiuntive selezionate.

1) Programma di controllo secondo la direttiva 1061/2010: impostare il programma 60°C (3° pressione del tasto).

Questo ciclo è adatto per pulire un carico di cotone normalmente sporco ed è il più efficiente in termini di consumo combinato di energia e di acqua, da usare su capi lavabili a 60 °C. La temperatura effettiva di lavaggio può differire da quella indicata.

2) Programma di controllo secondo la direttiva 1061/2010: impostare il programma 60°C (3° pressione del tasto); temperatura di 40°C (premere il tasto TEMPERATURA).

Questo ciclo è adatto per pulire un carico di cotone normalmente sporco ed è il più efficiente in termini di consumo combinato di energia e di acqua, da usare su capi lavabili a 40°C. La temperatura effettiva di lavaggio può differire da quella indicata.

Per tutti Test Institutes:

2) Programma cotone lungo: impostare il programma 60°C (3° pressione del tasto); temperatura di 40°C (premere il tasto TEMPERATURA).

3) Programma sintetico lungo: impostare il programma a 60°C (1° pressione del tasto); temperatura di 40°C (premere il tasto TEMPERATURA).

Funzioni di lavaggio

! Se la funzione selezionata non è compatibile con il programma impostato, la spia lampeggerà e la funzione non verrà attivata.

! Se la funzione selezionata non è compatibile con un'altra precedentemente impostata, la spia relativa alla prima funzione selezionata lampeggerà e verrà attivata solo la seconda, la spia della funzione attivata si illuminerà.

Prelavaggio

Selezionando questa funzione si effettua il prelavaggio, utile per rimuovere macchie ostinate.

N.B.: Aggiungere il detersivo nell'apposito scomparto.

Stira facile

Selezionando questa funzione, il lavaggio e la centrifuga saranno opportunamente modificati per ridurre la formazione di pieghe.

Al termine del ciclo la lavabiancheria effettuerà delle lente rotazioni del cestello; la spia della funzione STIRA FACILE lampeggerà e la scritta "FINE CICLO" apparirà su display. Per terminare il ciclo si dovrà premere il tasto START/PAUSE o il tasto STIRA FACILE.

Eco wash

La funzione Eco Wash contribuisce al risparmio energetico non riscaldando l'acqua utilizzata per lavare il bucato – un vantaggio sia per l'ambiente, sia per la bolletta elettrica. Infatti, l'azione rafforzata e il consumo ottimizzato dell'acqua garantiscono ottimi risultati nella stessa durata media di un ciclo standard.

Per ottenere i migliori risultati di lavaggio, si consiglia l'uso di un detersivo liquido.

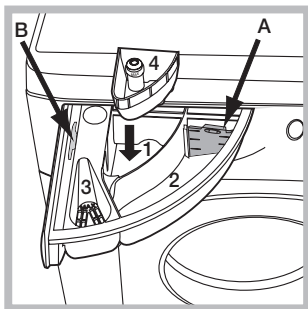
Detersivi e biancheria

IT

Cassetto dei detersivi

Il buon risultato del lavaggio dipende anche dal corretto dosaggio del detersivo: eccedendo non si lava in modo più efficace e si contribuisce a incrostare le parti interne della lavabiancheria e a inquinare l'ambiente.

- ! Usare detersivi in polvere per capi in cotone bianchi e per il prelavaggio e per lavaggi con temperatura superiore a 60°C.
- ! Seguire le indicazioni riportate sulla confezione di detersivo.
- ! Non usare detersivi per il lavaggio a mano, perché formano troppa schiuma.



Estrarre il cassetto dei detersivi e inserire il detersivo o l'additivo come segue.

vaschetta 1: Detersivo per prelavaggio (in polvere)

Prima di versare il detersivo verificare che non sia inserita la vaschetta aggiuntiva 4.

vaschetta 2: Detersivo per lavaggio (in polvere o liquido)

Nel caso di utilizzo di detersivo liquido si consiglia di utilizzare la paretina **A** in dotazione per un corretto dosaggio.

Per l'utilizzo del detersivo in polvere riporre la paretina nella cavità **B**.

vaschetta 3: Additivi (ammorbidente, ecc.)

L'ammorbidente non deve fuoriuscire dalla griglia.

vaschetta aggiuntiva 4: Candeggina


Preparare la biancheria


- Suddividere la biancheria secondo:
 - il tipo di tessuto / il simbolo sull'etichetta.
 - i colori: separare i capi colorati da quelli bianchi.
- Vuotare le tasche e controllare i bottoni.
- Non superare i valori indicati, riferiti al peso della biancheria asciutta: vedi "Tabella dei programmi".


Quanto pesa la biancheria?

- 1 lenzuolo 400-500 gr.
- 1 federa 150-200 gr.
- 1 tovaglia 400-500 gr.
- 1 accappatoio 900-1200 gr.
- 1 asciugamano 150-250 gr.

Programmi speciali

Anti Macchia: il programma  è adatto al lavaggio di capi molto sporchi, con colori resistenti. Il programma garantisce una classe di lavaggio superiore alla classe standard (classe A). Non eseguire il programma mescolando capi di colore diverso. Si consiglia l'utilizzo di detersivo in polvere. Per macchie ostinate è consigliato il pretrattamento con additivi specifici.


Cotone : ideale per carichi in cotone sporchi. Le buone performance anche a freddo, comparabili con un lavaggio a 40°, sono garantite da un'azione meccanica che lavora con variazione di velocità a picchi ripetuti e ravvicinati

Biancheria 7 giorni: per lavare la biancheria da bagno e da letto in un unico ciclo, utilizzare il programma  che ottimizza l'uso dell'ammorbidente e ti consente di risparmiare tempo ed energia. Si consiglia l'utilizzo di detersivo in polvere.

Lana - Woolmark Apparel Care - Green:

il ciclo di lavaggio "Lana" di questa lavatrice è stato approvato dalla Woolmark Company per il lavaggio di capi di lana classificati come "lavabili a mano", purché il lavaggio venga eseguito nel rispetto delle istruzioni riportate sull'etichetta dell'indumento e delle indicazioni fornite dal produttore di questa lavatrice. (M1253)



Delicati: utilizzare il programma  per il lavaggio dei capi molto delicati, che presentano applicazioni quali strass o paillettes.

Per il lavaggio dei capi in **seta** e **tende**, selezionare il ciclo  ed impostare il livello "Delicato" dell'opzione . Si raccomanda di rovesciare i capi prima del lavaggio e di inserire gli indumenti piccoli nell'apposito sacchetto per il lavaggio dei capi delicati.

Per risultati migliori si raccomanda l'utilizzo del detersivo liquido per capi delicati.

Sistema bilanciamento del carico

Prima di ogni centrifuga, per evitare vibrazioni eccessive e per distribuire il carico in modo uniforme, il cestello effettua delle rotazioni ad una velocità leggermente superiore a quella del lavaggio. Se al termine di ripetuti tentativi il carico non fosse ancora correttamente bilanciato la macchina effettua la centrifuga ad una velocità inferiore a quella prevista.

In presenza di eccessivo sbilanciamento la lavabiancheria effettua la distribuzione anziché la centrifuga. Per favorire una migliore distribuzione del carico e il suo corretto bilanciamento si consiglia di mescolare capi grandi e piccoli.

Può accadere che la lavabiancheria non funzioni. Prima di telefonare all'Assistenza (vedi "Assistenza"), controllare che non si tratti di un problema facilmente risolvibile aiutandosi con il seguente elenco.

Anomalie:

La lavabiancheria non si accende.

Il ciclo di lavaggio non inizia.

La lavabiancheria non carica acqua (nel display apparirà la scritta "Manca l'acqua, apri il rubinetto").

La lavabiancheria carica e scarica acqua di continuo.

La lavabiancheria non scarica o non centrifuga.

La lavabiancheria vibra molto durante la centrifuga.

La lavabiancheria perde acqua.

La macchina è bloccata, il display lampeggia e segnala un codice di anomalia (es.: F-01, F-...).

Si forma troppa schiuma.

Possibili cause / Soluzione:

- La spina non è inserita nella presa della corrente, o non abbastanza da fare contatto.
- In casa non c'è corrente.

- L'oblò non è ben chiuso.
- Il tasto ON/OFF non è stato premuto.
- Il tasto START/PAUSE non è stato premuto.
- Il rubinetto dell'acqua non è aperto.
- Si è impostato un ritardo sull'ora di avvio (PARTENZA RITARDATA, vedi "Come effettuare un ciclo di lavaggio").

- Il tubo di alimentazione dell'acqua non è collegato al rubinetto.
- Il tubo è piegato.
- Il rubinetto dell'acqua non è aperto.
- In casa manca l'acqua.
- Non c'è sufficiente pressione.
- Il tasto START/PAUSE non è stato premuto.

- Il tubo di scarico non è installato fra 65 e 100 cm da terra (vedi "Installazione").
- L'estremità del tubo di scarico è immersa nell'acqua (vedi "Installazione").
- Lo scarico a muro non ha lo sfiato d'aria.

Se dopo queste verifiche il problema non si risolve, chiudere il rubinetto dell'acqua, spegnere la lavabiancheria e chiamare l'Assistenza. Se l'abitazione si trova agli ultimi piani di un edificio, è possibile che si verifichino fenomeni di sifonaggio, per cui la lavabiancheria carica e scarica acqua di continuo. Per eliminare l'inconveniente sono disponibili in commercio apposite valvole anti-sifonaggio.

- Il programma non prevede lo scarico: con alcuni programmi occorre avviarlo manualmente.
- È attiva la funzione STIRA FACILE: per completare il programma premere il tasto START/PAUSE ("Programmi e funzioni").
- Il tubo di scarico è piegato (vedi "Installazione").
- La condotta di scarico è ostruita.

- Il cestello, al momento dell'installazione, non è stato sbloccato correttamente (vedi "Installazione").
- La lavabiancheria non è in piano (vedi "Installazione").
- La lavabiancheria è stretta tra mobili e muro (vedi "Installazione").

- Il tubo di alimentazione dell'acqua non è ben avvitato (vedi "Installazione").
- Il cassetto dei detersivi è intasato (per pulirlo vedi "Manutenzione e cura").
- Il tubo di scarico non è fissato bene (vedi "Installazione").

- Spegnere la macchina e togliere la spina dalla presa, attendere circa 1 minuto quindi riaccenderla.
Se l'anomalia persiste, chiamare l'Assistenza.

- Il detersivo non è specifico per lavabiancheria (deve esserci la dicitura "per lavatrice", "a mano e in lavatrice", o simili).
- Il dosaggio è stato eccessivo.

Assistenza

IT

Prima di contattare l'Assistenza:

- Verificare se l'anomalia può essere risolta da soli (vedi "Anomalie e rimedi");
- Riavviare il programma per controllare se l'inconveniente è stato ovviato;
- In caso negativo, contattare il Numero Unico 199.199.199*.

! Non ricorrere mai a tecnici non autorizzati.

Comunicare:

- il tipo di anomalia;
- il modello della macchina (Mod.);
- il numero di serie (S/N).

Queste informazioni si trovano sulla targhetta applicata nella parte posteriore della lavabiancheria e nella parte anteriore aprendo l'oblò.

Assistenza Attiva 7 giorni su 7



In caso di necessità d'intervento chiamare il Numero Unico Nazionale 199.199.199*.

Un operatore sarà a completa disposizione per fissare un appuntamento con il Centro Assistenza Tecnico Autorizzato più vicino al luogo da cui si chiama.

È attivo 7 giorni su 7, sabato e domenica compresi, e non lascia mai inascoltata una richiesta.

* Al costo di 14,25 centesimi di Euro al minuto (iva inclusa) dal Lun. al Ven. dalle 08:00 alle 18:30, il Sab. dalle 08:00 alle 13:00 e di 5,58 centesimi di Euro al minuto (iva inclusa) dal Lun. al Ven. dalle 18:30 alle 08:00, il Sab. dalle 13:00 alle 08:00 e i giorni festivi, per chi chiama da telefono fisso. Per chi chiama da radiomobile le tariffe sono legate al piano tariffario dell'operatore telefonico utilizzato.

Le suddette tariffe potrebbero essere soggette a variazione da parte dell'operatore telefonico; per maggiori informazioni consultare il sito <http://www.hotpoint.eu/hotpoint/>

FICHE TECNICA - REGOLAMENTO DELEGATO (UE) N. 1061/2010 DELLA COMMISSIONE

Marchio	HOTPOINT/ARISTON
Modello	WMSD 723B EU.L
Capacità in kg di cotone	7
Classe di efficienza energetica su una scala da A+++ (basso consumo) a G (alto consumo)	A+++
Consumo annuo di energia in kWh ¹⁾	173
Consumo di energia del programma cotone standard a 60°C a pieno carico in kWh ²⁾	1.02
Consumo di energia del programma cotone standard a 60° carico parziale in kWh ²⁾	0.585
Consumo di energia del programma cotone standard a 40° a carico parziale in kWh ²⁾	0.55
Consumo di potenza in modo spento in W	0.5
Consumo di potenza in modo lasciato acceso in W	8
Consumo di acqua in litri/anno ³⁾	10670
Classe di efficacia di centrifuga su una scala da G (efficacia minima) ad A (efficacia massima)	B
Velocità massima di centrifuga raggiunta ⁴⁾	1200
Umidità residua ⁵⁾	53.0%
Durata del programma cotone standard a 60°C a pieno carico in minuti	200
Durata del programma cotone standard a 60°C a carico parziale in minuti	150
Durata del programma cotone standard a 40°C a carico parziale in minuti	145
Durata del modo lasciato acceso in minuti	30
Rumore in dB(A) re 1 pW in lavaggio ⁶⁾	58
Rumore in dB(A) re 1 pW in centrifuga ⁶⁾	74
Modello da incasso	

¹⁾ Basato su 220 cicli di lavaggio cotone standard a 60°C e a 40°C a carico pieno e parziale e sul consumo nei modi di spento e lasciato acceso. Il consumo effettivo dipende dalla modalità di utilizzo della lavabiancheria.

²⁾ Il "cotone standard a 60°C" a carico pieno e parziale ed il "cotone standard a 40°C" a carico parziale sono i programmi di lavaggio standard ai quali fanno riferimento le informazioni sull'etichetta e sulla scheda, questi programmi sono adatti per lavare cotone normalmente sporco e sono i programmi più efficienti in termini di consumo combinato di energia e acqua. Il carico parziale è la metà del carico nominale.

³⁾ Basato su 220 cicli di lavaggio cotone standard a 60°C e a 40°C a carico pieno e parziale. Il consumo effettivo dipende dalla modalità di utilizzo dell'apparecchio.

⁴⁾ Valore minimo fra il programma cotone standard 60°C a pieno e metà carico e il cotone standard 40°C a metà carico.

⁵⁾ Valore massimo fra il programma cotone standard 60°C a pieno e metà carico e il cotone standard 40°C a metà carico.

⁶⁾ Misurato sul programma cotone standard a 60°C pieno carico.

RU

Русский

WMSD 723

Содержание

Установка 50-51

Распаковка и нивелировка

Подключение к водопроводной и электрической сети

Первый цикл стирки

Технические характеристики

Описание стиральной машины, 52-53

Панель управления

Дисплей

Порядок выполнения цикла стирки, 54

Программы и функции, 55

Таблица программ

Функции стирки

Стиральные вещества и типы белья, 56

Распределитель моющих средств

Подготовка белья

Специальные программы

Система балансировки белья

Предосторожности и рекомендации, 57

Общие требования к безопасности

Утилизация

Условия хранения и транспортировки

Техническое обслуживание и уход, 58

Отключение воды и электрического тока

Уход за стиральной машиной

Уход за распределителем моющих средств

Уход за люком и барабаном

Уход за насосом

Проверка водопроводного шланга

Неисправности и методы их устранения, 59

Сервисное обслуживание, 60

Hotpoint
ARISTON



Установка

RU

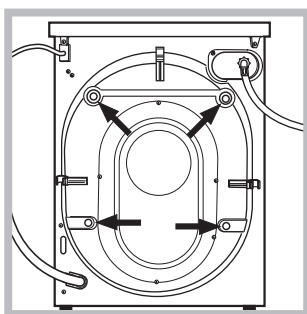
! Сохраните данное руководство. Оно должно быть в комплекте со стиральной машиной в случае продажи, передачи оборудования или при переезде на новую квартиру, чтобы новый владелец оборудования мог ознакомиться с правилами его функционирования и обслуживания.

! Внимательно прочитайте руководство: в нем содержатся важные сведения по установке и безопасной эксплуатации стиральной машины.

Распаковка и выравнивание

Распаковка

1. Распакуйте стиральную машину.
2. Убедитесь, что оборудование не было повреждено во время транспортировки. При обнаружении повреждений – не подключайте машину – свяжитесь с поставщиком немедленно.



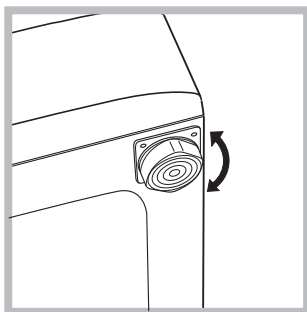
3. Удалите четыре транспортировочных винта и резиновые пробки с прокладками, расположенные в задней части стиральной машины (см. рис.).

4. Закройте отверстия прилагающимися пластиковыми заглушками.
5. Сохраняйте все детали: они Вам понадобятся при последующей транспортировке стиральной машины.

! Не разрешайте детям играть с упаковочными материалами.

Выравнивание

1. Установите стиральную машину на ровном и прочном полу, так чтобы она не касалась стен, мебели и прочих предметов.



2. После установки машины на место отрегулируйте ее устойчивое положение путем вращения передних ножек (см. рис.). Для этого сначала ослабьте контргайку, после завершения регулировки контргайку затяните.

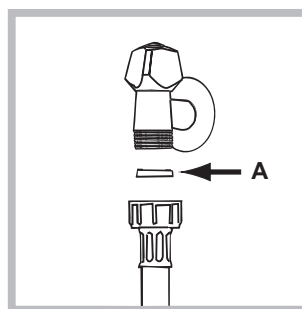
После установки машины на место проверьте по уровню горизонтальность верхней крышки корпуса, отклонение горизонтали должно быть не более 2°.

Правильное выравнивание оборудования поможет избежать шума, вибраций и смещений во время работы машины.

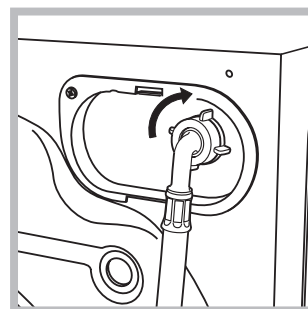
Если стиральная машина стоит на полу, покрытом ковром, убедитесь, что ее основание возвышается над ковром. В противном случае вентиляция будет затруднена или вовсе невозможна.

Подключение к водопроводной и электрической сети

Подсоединение заливного шланга



1. Вставьте прокладку A в конец заливного шланга и наверните его на вывод водопровода холодной воды с резьбовым отверстием 3/4 дюйма (см. рис.). Перед подсоединением откройте водопроводный кран и дайте стечь грязной воде.



2. Подсоедините заливной шланг к стиральной машине, навинтив его на водоприемник, расположенный в задней верхней части справа (см. рис.).

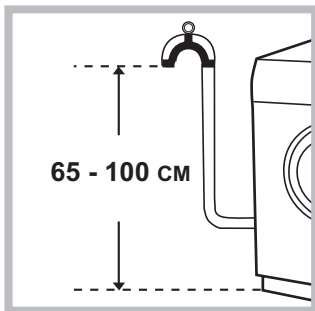
3. Убедитесь, что шланг не перекручен и не пережат.

! Давление воды должно быть в пределах значений, указанных в таблице Технических характеристик (см. с. 51).

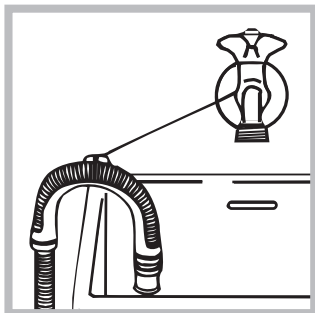
! Если длина водопроводного шланга окажется недостаточной, обратитесь в Авторизованный сервисный центр.

! Никогда не используйте шланги, бывшие в употреблении.

Подсоединение сливного шланга



Подсоедините сливной шланг, не перегибая его, к сливной трубе или к настенному сливному отверстию, распложенному на высоте от 65 до 100 см от пола,



Или поместите шланг в раковину или в ванну, закрепив прилегающую направляющую к крану (см. схему). Свободный конец сливного шланга не должен быть погружен в воду.

! Не рекомендуется использовать удлинители для сливного шланга. При необходимости удлинение должно иметь такой же диаметр, что и оригинальный шланг, и его длина не должна превышать 150 см.

Подключение к электросети

Перед включением изделия в розетку электросети необходимо проверить следующее:

- заземляющий контакт двухполюсной розетки должен быть соединён с заземлением и соответствовать нормативам;
- розетка электросети должна быть рассчитана на максимальную мощность стиральной машины, указанную в таблице Технические данные (см. таблицу сбоку);
- напряжение электросети должно соответствовать значениям, указанным в таблице Технические данные (см. таблицу сбоку);
- электрическая розетка и штепсельная вилка стиральной машины должны быть одного типа. В противном случае необходимо заменить розетку.

! Запрещается устанавливать стиральную машину на улице, даже под навесом, так как опасно подвергать ее воздействию дождя и грозы.

! Стиральная машина должна быть расположена таким образом, чтобы доступ к розетке электросети оставался свободным.

! Не используйте удлинители и тройники.

! Сетевой кабель изделия не должен быть согнут или сжат.

! Замена сетевого кабеля может осуществляться только уполномоченными сервисными центрами.

Внимание! Фирма снимает с себя всякую ответственность в случае несоблюдения вышеописанных правил.

Первый цикл стирки

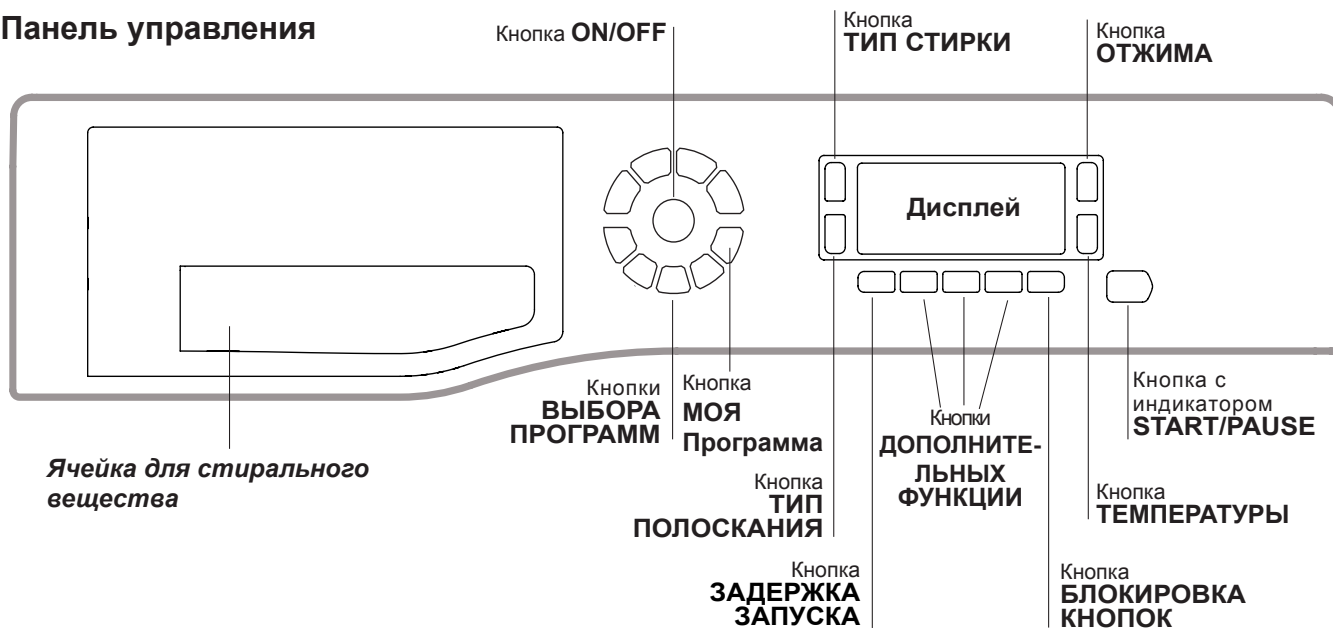
По завершении установки, перед началом эксплуатации необходимо произвести один цикл стирки со стиральным порошком, но без белья, по программе «АВТООЧИСТКА» (см. «Уход за стиральной машиной»).

Технические данные	
Модель	WMSD 723
Страна-изготовитель	Россия
Габаритные размеры	ширина 59,5 см. высота 85 см. глубина 43,5 см.
Вместимость	от 1 до 7 кг
Номинальное значение напряжения электропитания или диапазон напряжения	220-240 V ~
максимальную мощность	1850 W
Условное обозначение рода электрического тока или номинальная частота переменного тока	50 Hz
Класс защиты от поражения электрическим током	Класс защиты I
Водопроводное подсоединение	максимальное давление 1 МПа (10 бар) минимальное давление 0,05 МПа (0,5 бар) емкость барабана 48 литра
Скорость отжима	до 1200 оборотов в минуту
Программы управления в соответствии с Директивой EN 60456	программа (60°) (3 нажатие кнопки); температура 60°C; при загрузке до 7 кг.
	Данное изделие соответствует следующим Директивам Европейского Сообщества: - 2004/108/CE (Электромагнитная совместимость); - 2006/95/CE (Низкое напряжение); - 2012/19/EU (WEEE)
Степень защиты от попадания твердых частиц и влаги, обеспечиваемая защитной оболочкой, за исключением низковольтного оборудования, не имеющего защиты от влаги: IPX4	
Дату производства данной техники можно получить из серийного номера, расположенного под штрих-кодом (S/N XXXXXXXXX), следующим образом	- 1-ая цифра в S/N соответствует последней цифре года, - 2-ая и 3-я цифры в S/N - порядковому номеру месяца года, - 4-ая и 5-ая цифры в S/N - день
Класс энергопотребления	A


Описание стиральной машины

RU

Панель управления



Ячейки для стирального вещества: для загрузки стиральных веществ и добавок (см. «Стиральные вещества и типы белья»).

Кнопка **ON/OFF** : быстро нажмите эту кнопку для включения или выключения машины. Индикатор START/PAUSE, редко мигающий зеленым цветом, означает, что машина включена. Для выключения стиральной машины в процессе стирки необходимо держать нажатой кнопку, примерно 3 секунды. Короткое или случайное нажатие не приведет к отключению машины. В случае выключения машины в процессе стирки текущий цикл отменяется.


Кнопки **ВЫБОРА ПРОГРАММ**: служат для выбора нужной программы (см. «Таблица программ»).

Кнопка **МОЯ Программа**: держите нажатой эту кнопку для сохранения цикла и персонализированных вами программ. Для вызова ранее сохраненного цикла нажмите кнопку МОЯ Программа.


Кнопки **ДОПОЛНИТЕЛЬНЫХ ФУНКЦИЙ**: нажмите кнопку для выбора нужной вам функции. На дисплее загорится соответствующий индикатор.


Кнопка **ТИП СТИРКИ**: нажать, чтобы выбрать желаемую интенсивность стирки.


Кнопка **ТИП ПОЛОСКАНИЯ**: нажать для выбора нужного режима ополаскивания.

Кнопка **ОТЖИМ** : нажмите эту кнопку для сокращения скорости или полного исключения отжима – значение показывается на дисплее.

Кнопка **ТЕМПЕРАТУРА** : нажмите эту кнопку для уменьшения значения температуры: значение показывается на дисплее.

Кнопка **БЛОКИРОВКА КНОПОК** : для включения блокировки консоли управления держите кнопку нажатой примерно 2 секунды. Включенный  символ означает, что консоль управления заблокирована. Таким образом, программа не может быть случайно изменена, особенно если в доме дети. Для отключения блокировки консоли управления держите кнопку нажатой примерно 2 секунды.

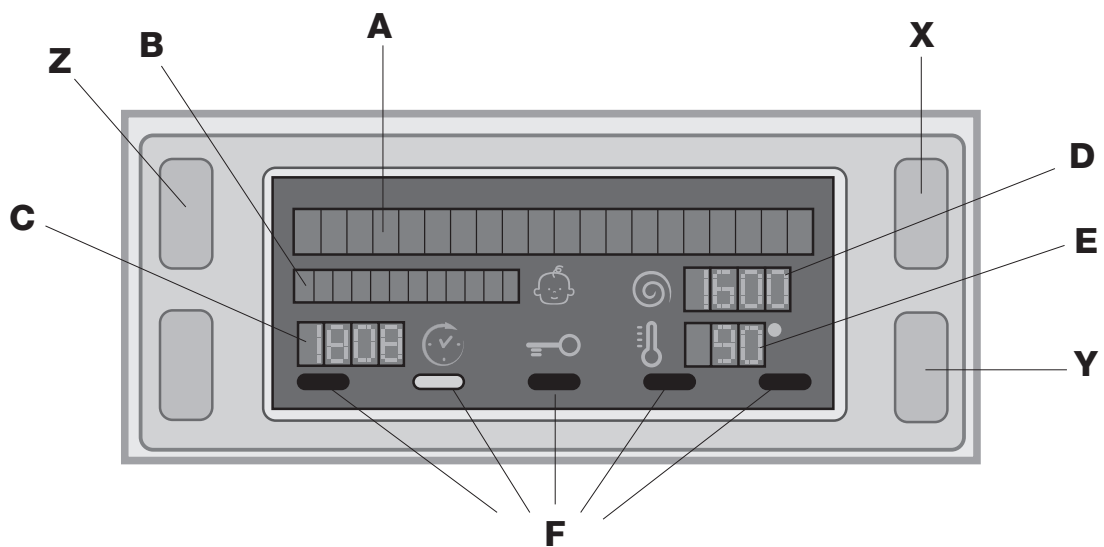
Кнопка **ЗАДЕРЖКА ЗАПУСКА** : нажмите для программирования времени задержки пуска выбранной программы. Время задержки показывается на дисплее.

Кнопка с индикатором **START/PAUSE**: когда зеленый индикатор редко мигает, нажмите кнопку для запуска цикла стирки. После пуска цикла индикатор перестает мигать. Для прерывания стирки вновь нажмите эту кнопку; индикатор замигает оранжевым цветом. Если символ  не горит, можно открыть люк машины (сачекайте око 3 минута). Для возобновления стирки с момента, когда она была прервана, вновь нажмите эту кнопку.

Режим ожидания

Настоящая стиральная машина отвечает требованиям новых нормативов по экономии электроэнергии, укомплектована системой автоматического отключения (режим сохранения энергии), включающейся через 30 минут простоя машины. Нажмите один раз кнопку ON/OFF. и подождите, пока машина вновь включится.

Дисплей



Дисплей служит для программирования машины и предоставляет пользователю множество сведений.

На двух верхних строках **A** и **B** показываются выбранная программа стирки, текущая фаза стирки и все сведения о выполнении программы.

На строке **C** показывается время, остающееся до конца текущего цикла стирки и, если был задан ЗАДЕРЖКА ЗАПУСКА, время, остающееся до запуска выбранной программы.

На строке **D** показывается максимальное значение скорости отжима, который машина может выполнить в зависимости от выбранной программы; если выбранная программа не предусматривает отжим, данная строка не включается.

На строке **E** показывается максимальное значение температуры, которое можно выбрать в зависимости от выбранной программы; если выбранная программа не предусматривает настройку температуры, данная строка не включается.

Индикаторы **F** относятся к функциям и загораются, когда выбранная функция является совместимой с заданной программой.

Символ **заблокированного люка**


Включенный символ означает, что люк заблокирован во избежание его случайного открывания. Во избежание повреждений, перед тем как открыть люк, необходимо дождаться, пока погаснет символ (сачекајте око 3 минута). ПРИМЕЧАНИЕ: если включена функция ЗАПУСК С ЗАДЕРЖКОЙ, люк открыть нельзя. Для этого необходимо переключить машину в режим паузы при помощи кнопки START/PAUSE.





! При первом включении машины потребуется выбрать язык, и дисплей автоматически покажет страницу меню выбора языка.


Для выбора нужного языка нажмите кнопки **X** и **Y**, для подтверждения выбора нажмите кнопку **Z**.

Если требуется сменить язык, выключите машину, нажмите одновременно кнопки **X**, **Y**, **Z** подождите до звукового сигнала, откроется меню выбора языка.


Порядок выполнения цикла стирки

- 1. ПОРЯДОК ВКЛЮЧЕНИЯ МАШИНЫ.** Нажмите кнопку , на дисплее появится надпись "ВКЛ.". Индикатор START/PAUSE редко мигает зеленым цветом.
- 2. ПОРЯДОК ЗАГРУЗКИ БЕЛЬЯ.** Откройте люк машины. Загрузите в барабан белье, не превышая максимальный допустимый вес, указанный в таблице программ на следующей странице.
- 3. ДОЗИРОВКА МОЮЩЕГО СРЕДСТВА.** Выньте распределитель и засыпьте моющее средство в специальные ячейки, как описано в разделе «*Стиральные вещества и типы белья*».
- 4. ЗАКРОЙТЕ ЛЮК.**
- 5. ВЫБОР ПРОГРАММ.** Нажмите одну из кнопок ВЫБОРА ПРОГРАММ для выбора нужной программы. Название программы появится на дисплее. Вместе с программой будет показана температура и скорость отжима, которые могут быть изменены. На дисплее показывается продолжительность данного цикла.
- 6. ПЕРСОНАЛИЗАЦИЯ ЦИКЛА СТИРКИ.** Нажмите соответствующие кнопки:


  **Порядок изменения температуры и/или скорости отжима.** Машина автоматически устанавливает максимальные температуру и скорость отжима, допустимые для выбранной программы, следовательно, эти значения не могут быть увеличены. При помощи кнопки  можно постепенно уменьшить температуру вплоть до стирки в холодной воде "OFF". При помощи кнопки  можно постепенно уменьшить скорость отжима вплоть до его исключения "OFF". При еще одном нажатии этих кнопок вернутся максимальные допустимые значения.

! Исключение: при выборе программы  (60°) (1 нажатие кнопки) температура может быть увеличена до 90°.


 **Программирование задержка запуска.**


Для программирования задержки пуска выбранной программы нажмите соответствующую кнопку вплоть до получения нужного значения задержки. Когда включена функция задержки, на дисплее загорается символ . Для отмены задержки пуска нажмите кнопку вплоть до появления на дисплее надписи OFF.

Как задать нужную интенсивность стирки.

Кнопка  позволяет оптимизировать стирку в зависимости от степени загрязнения белья и нужной интенсивности стирки.

Выберите программу стирки, цикл автоматически выбирает режим «НОРМАЛЬНАЯ», оптимизированный для менее загрязненного белья (выбор недействителен для цикла «Шерсть», который автоматически выбирает режим «ДЕЛИКАТНАЯ»).

Для очень грязного белья нажмите кнопку  вплоть до нахождения режима «СУПЕРСТИРКА». Этот режим обеспечивает высокоэффективную стирку благодаря использованию большего объема воды в начальной фазе цикла и более интенсивного механического движения, а также служит для удаления трудновыводимых пятен. Может использоваться как с отбеливателем, так и без него. При использовании отбеливателя вставьте дополнительный прилагающийся дозатор 4 в дозатор 1. Не превышайте "max." уровень, указанный на стержне в центре (см. схему на стр. 56). Для белья с незначительным загрязнением или для более деликатной стирки белья нажмите кнопку

 вплоть до выбора режима «ДЕЛИКАТНАЯ». Цикл сокращает механическое действие для обеспечения отличных результатов стирки деликатного белья.

Как задать режим ополаскивания.

Дополнительная функция  позволяет выбрать нужный режим полоскания для чувствительной кожи. При первом нажатии кнопки задается режим «ДОП. ПОЛОСКАНИЕ», позволяющий выбрать дополнительное полоскание помимо стандартного цикла полоскания, для удаления всех остатков стирального вещества. В зависимости от нажатия кнопки задается режим «ЧУВСТВИТЕЛЬНАЯ КОЖА», позволяющий выбрать два дополнительных режима полоскания помимо стандартного цикла полоскания, что рекомендуется для наиболее чувствительной кожи. При третьем нажатии на кнопку задается режим «АНТИ - АЛЛЕРГИЯ», позволяющий выбрать три дополнительных режима полоскания помимо стандартного цикла полоскания, для удаления основных аллергенов - пыльцы, чесоточных клещей, собачьей или кошачьей шерсти. Вновь нажмите кнопку для возврата к «ПОЛОСКАНИЕ» режиму полоскания. Если невозможно задать или изменить данную настройку, на дисплее отображается «ОТКЛЮЧЕНО».

Изменение параметров цикла.

- Нажмите кнопку для включения функции; загорится индикатор соответствующей кнопки.
- Вновь нажмите кнопку для отключения функции; индикатор погаснет.

! Если выбранная функция является несовместимой с заданной программой, индикатор будет мигать, и такая функция не будет включена.

! Если выбранная функция является несовместимой с другой, ранее заданной дополнительной функцией, будет мигать индикатор первой выбранной функции, и будет включена только вторая дополнительная функция, индикатор включенной функции загорится.

! Дополнительные функции могут изменить рекомендуемую загрузку машины и/или продолжительность цикла.

- 7. ПУСК ПРОГРАММЫ.** Нажмите кнопку START/PAUSE: Соответствующий индикатор загорится зеленым светом, и люк заблокируется (символ ЛЮК ЗАБЛОКИРОВАН  загорится). В процессе стирки на дисплее показывается название текущей фазы. Для изменения программы в процессе выполнения цикла переключите машину в режим паузы при помощи кнопки START/PAUSE (индикатор START/PAUSE редко мигает оранжевым цветом). Затем выберите новый цикл и вновь нажмите кнопку START/PAUSE. Если требуется открыть люк после пуска цикла, нажмите кнопку START/PAUSE. Когда погаснет индикатор, ЛЮК ЗАБЛОКИРОВАН , можно открыть люк (сачекайте око 3 минута). Вновь нажмите кнопку START/PAUSE для возобновления программы с момента, в который она была прервана.
- 8. ЗАВЕРШЕНИЕ ПРОГРАММЫ.** Показывается сообщением на дисплее «КОНЕЦ ЦИКЛА». После того, как погаснет символ ЛЮК ЗАБЛОКИРОВАН , можно будет открыть люк (сачекайте око 3 минута). Откройте люк, выгрузите белье и выключите машину.


! Для отмены уже запущенного цикла нажмите на несколько секунд кнопку . Цикл прервется и машина выключится.

Таблица программ

Программы	Описание программы	Макс. темп. (°C)	Макс. скорость (об./мин.)	Стиральные средства				Макс. загрузка (кг)	Продолжительность цикла
				Предварительная стирка	Стирка	Отбеливатель	Ополаскиватель		
	УДАЛЕНИЕ ПЯТЕН	40°	1200	●	●	-	●	4	Продолжительность программ стирки можно проверить по дисплею.
	ХЛОПОК (1 нажатие кнопки): сильнозагрязненное белое и прочное цветное белье.	60° (Max. 90°)	1200	●	●	●	●	7	
	ХЛОПОК (2 нажатие кнопки): сильнозагрязненное белое и деликатное цветное белье.	20°	1200	-	●	●	●	7	
	ЭКО ХЛОПОК (3 нажатие кнопки) (1): сильнозагрязненное белое и прочное цветное белье.	60°	1200	-	●	-	●	7	
	ЭКО ХЛОПОК (3 нажатие кнопки) (2): сильнозагрязненное белое и деликатное цветное белье.	40°	1200	-	●	-	●	7	
	СИНТЕТИКА ИНТЕНСИВ (1 нажатие кнопки): Сильнозагрязненное прочное цветное белье.	60°	1000	●	●	●	●	3,5	
	СИНТЕТИКА ДЕЛИКАТНАЯ (2 нажатие кнопки): Слабозагрязненное прочное цветное белье.	40°	1000	●	●	●	●	3,5	
	БЫСТРАЯ СТИРКА 60' (1 нажатие кнопки): Для быстрого освежения малозагрязнённого белья (не для шерсти, шелка и изделия ручной стирки).	60°	1200	-	●	-	●	3,5	
	БЫСТРАЯ СТИРКА 30' (2 нажатие кнопки): Для быстрого освежения малозагрязнённого белья (не для шерсти, шелка и изделия ручной стирки).	30°	800	-	●	-	●	3	
M	ПАМЯТЬ: Позволяет ввести в память машины любую программу стирки.								
	ПОСТЕЛЬНОЕ БЕЛЬЕ	60°	1200	●	●	-	●	7	
	ШЕРСТЬ УХОД ПЛАТИНУМ: Для шерсти, кашемира и т.д.	40°	800	-	●	-	●	1,5	
	ДЕЛИКАТНАЯ СТИРКА	30°	0	-	●	-	●	1	
	ОТЖИМ (1 нажатие кнопки)	-	1200	-	-	-	-	7	
	ПОЛОСКАНИЕ (2 нажатие кнопки)	-	1200	-	-	-	●	7	
	СЛИВ (3 нажатие кнопки)	-	0	-	-	-	-	7	

Продолжительность цикла, показанная на дисплее или указанная в инструкциях является расчетом, сделанным на основании стандартных условий. Фактическая продолжительность может варьировать в зависимости от многочисленных факторов таких как температура и давление воды на подаче, температура помещения, количество моющего средства, количество и тип загруженного белья, балансировка белья, выбранные дополнительные функции.

Для всех институтов тестирования:

- 1) Программы управления в соответствии с Директивой EN 60456: задайте программу (60°) (3 нажатие кнопки).
- 2) Длинная программа для х/б белья: задайте программу (60°) (3 нажатие кнопки); с температурой 40°C (нажмите кнопку ТЕМПЕРАТУРА).

Функции стирки

! Если выбранная функция является несовместимой с заданной программой, индикатор будет мигать, и такая функция не будет включена.

! Если выбранная функция является несовместимой с другой, ранее заданной дополнительной функцией, будет мигать индикатор первой выбранной функции, и будет включена только вторая дополнительная функция, индикатор включенной функции загорится.

Предварительная стирка

При выборе данной функции производится предварительная стирка, способствующая удалению наиболее трудновыводимых пятен.

ПРИМЕЧАНИЕ: Поместите стиральный порошок в специальную ячейку.

Легкая глажка

При выборе этой функции циклы стирки и отжима изменяются таким образом, чтобы сократить сминаемость белья. По завершении цикла машина производит медленное вращение барабана. Индикатор функции ЛЕГКАЯ ГЛАЖКА загорается редко мигает. Для завершения цикла нажмите кнопку START/PAUSE или кнопку ЛЕГКАЯ ГЛАЖКА.

Eco wash

Функция Eco Wash позволяет экономить энергию за счет отсутствия необходимости подогрева воды для стирки белья – неосценимого преимущества как для окружающей среды, так и для счета за электроэнергию. Действительно, усиленное действие и оптимальное потребление воды гарантируют отличный результат за ту же продолжительность стандартного цикла.

Для более эффективной стирки рекомендуется использовать жидкое моющее средство

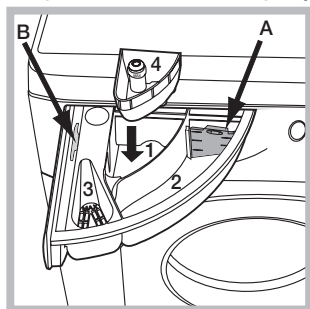
Стиральные вещества и типы белья

RU

Распределитель моющих средств

Хороший результат стирки зависит также от правильной дозировки стирального вещества: избыток стирального вещества не гарантирует более эффективную стирку, напротив, способствует образованию налетов внутри стиральной машины и загрязнению окружающей среды.

! Не используйте моющие средства для ручной стирки, так как они образуют слишком много пены.



Выньте распределитель и поместите в него моющее средство или добавку в следующем порядке.

Отделение 1: моющее средство для предварительной стирки (порошок)

Перед засыпкой стирального порошка убедитесь, что отделение 4 для отбеливателя в нём не установлено.

Отделение 2: моющее средство для стирки (порошок или жидкое)

В случае использования жидкого стирального вещества рекомендуется использовать прилагающийся дозатор **A** для правильной дозировки. Для использования стирального порошка вставьте дозатор в нишу **B**.

Отделение 3: добавки (ополаскиватель и т.д.)

Не наливайте ополаскиватель выше решетки отделения.

Дополнительное отделение 4: отбеливатель

Подготовка белья

- Разделите белье по следующим признакам:
 - тип ткани / обозначения на этикетке.
 - цвет: отделите цветное белье от белого.
- Выньте из карманов все предметы и проверьте пуговицы.
- Не превышайте значения, указанные в «Таблице программ», указывающие вес сухого белья:

Сколько весит белье?

- 1 простыня 400-500 гр.
- 1 наволочка 150-200 гр.
- 1 скатерть 400-500 гр.
- 1 халат 900-1200 гр.
- 1 полотенце 150-250 гр.

Специальные программы

УДАЛЕНИЕ ПЯТЕН: программа для стирки очень грязного белья. Программа обеспечивает уровень стирки выше стандартного (уровень A). Не пользуйтесь этой программой, при стирке белья разных цветов. Рекомендуется использовать стиральный порошок. Для трудновыводимых пятен рекомендуется обработать их специальными добавками.

ХЛОПОК : стандартная программа идеально подходит для стирки х/б белья со средним загрязнением. Отличные результаты получаются также при стирке в холодной воде, сравнимые со стиркой при 40°, обеспечиваются механическим действием с разной скоростью с повторяющимися частыми пиками.

ПОСТЕЛЬНОЕ БЕЛЬЕ: для стирки банного и постельного белья по единой программе используйте программу , оптимизирующую использование ополаскивателя и позволяющей сэкономить время и электроэнергию. Рекомендуется использовать стиральный порошок.

ШЕРСТЬ - Woolmark Apparel Care - Green:

Цикл стирки «Шерсть» данной стиральной машины получил утверждение Компании Woolmark для стирки шерстяных изделий, имеющих классификацию «ручная стирка», при условии, что стирка выполняется согласно инструкциям, указанным на этикетке вещи, и инструкций поставщика настоящей стиральной машины. (M1253)



ДЕЛИКАТНАЯ СТИРКА: используйте программу для стирки очень деликатного белья со стразами или блестками.

Для стирки **шелковых** изделий и **занавесок** выберите цикл и задайте в режиме «ДЕЛИКАТНАЯ» дополнительную функцию . Рекомендуется вывернуть наизнанку белье перед стиркой и поместить мелкое белье в специальный мешочек для стирки деликатного белья. Для оптимизации результатов рекомендуется использовать жидкое стиральное вещество для деликатного белья.

Система балансировки белья

Перед каждым отжимом во избежание чрезмерных вибраций и для равномерного распределения белья в барабане машина производит вращения со скоростью, слегка превышающей скорость стирки. Если после нескольких попыток белье не будет правильно сбалансировано, машина произведет отжим на меньшей скорости по сравнению с предусмотренной.

! Стиральная машина спроектирована и изготовлена в соответствии с международными нормативами по безопасности. Необходимо внимательно прочитать настоящие предупреждения, составленные в целях вашей безопасности.

Общие требования к безопасности

- После использования машины **обязательно** отключайте ее от сети переменного тока и закрывайте водопроводный кран.
- Данное изделие предназначено исключительно для домашнего использования.
- Не разрешайте пользоваться машиной лицам (включая детей) с ограниченными физическими, сенсорными, умственными способностями и не обладающих достаточными знаниями и опытом, если только они не пользуются машиной под наблюдением и после инструктажа со стороны лиц, ответственных за их безопасность. Не разрешайте детям играть с машиной.
- Не прикасайтесь к изделию влажными руками, босиком или во влажной одежде.
- Не тяните за сетевой кабель для отсоединения изделия из электро розетки, возьмитесь за вилку рукой.
- Не открывайте распределитель порошка в процессе стирки.
- Избегайте контактов со сливаемой водой, так как она может быть очень горячей.
- Категорически запрещается открывать люк силой: это может привести к повреждению защитного механизма, предохраняющего от случайного открытия машины.
- В случае неисправности категорически запрещается открывать внутренние механизмы изделия с целью их самостоятельного ремонта.
- Избегайте контактов детей с работающей стиральной машиной.
- В процессе стирки люк стиральной машины может нагреться.
- При необходимости переместить стиральную машину следует выполнять эту операцию вдвоем или втроем с предельной осторожностью. Никогда не перемещайте машину в одиночку, так как машина очень тяжелая.
- Перед загрузкой в стиральную машину белья проверьте, чтобы барабан был пуст.
- Стиральная машина не предназначена для использования лицами (включая детей) с пониженными физическими, чувственными или умственными способностями или при отсутствии у них жизненного опыта или знаний, если они не находятся под контролем или не проинструктированы об использовании прибора лицом, ответственным за их безопасность. Дети должны находиться под контролем для недопущения игры со стиральной машиной.

Утилизация

- Уничтожение упаковочных материалов: соблюдайте местные нормативы с целью повторного использования упаковочных материалов.
- Согласно Европейской Директиве 2012/19/EU - WEEE касательно утилизации электронных и электрических электроприборов электроприборы не должны выбрасываться вместе с обычным городским мусором. Выведенные из строя приборы должны собираться отдельно для оптимизации их утилизации и рекуперации составляющих их материалов, а также для безопасности окружающей среды и здоровья. Символ зачеркнутая мусорная корзина, имеющийся на всех приборах, служит напоминанием об их отдельной утилизации. За более подробной информацией о

правильной утилизации бытовых электроприборов пользователи могут обратиться в специальную государственную организацию или в магазин.

Условия хранения и транспортировки

- Упакованную стиральную машину следует хранить при относительной влажности не более 80% в закрытых помещениях с естественной вентиляцией. Если машина длительное время не будет использоваться и будет храниться в не отапливаемом помещении, необходимо полностью удалить из машины воду. Перед транспортировкой машины необходимо установить транспортные винты со втулками, чтобы исключить повреждение бака стиральной машины. Транспортировать машину необходимо в рабочем положении (вертикально) любым видом крытого транспорта, надёжно закрепив её. **ЗАПРЕЩАЕТСЯ** подвергать стиральную машину ударным нагрузкам при погрузочно-разгрузочных работах.

Техническое обслуживание и уход

RU

Отключение воды и электрического тока

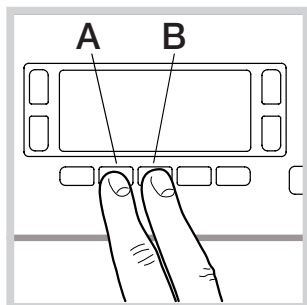
- Перекрывайте водопроводный кран после каждой стирки. Таким образом сокращается износ водопроводной системы машины и сокращается риск утечек.
- Выньте штепсельную вилку из электро розетки в процессе чистки и технического обслуживания стиральной машины.

Уход за стиральной машиной

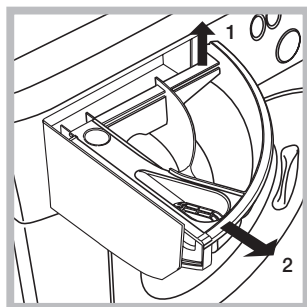
- Для чистки наружных и резиновых частей стиральной машины используйте тряпку, смоченную теплой водой с мылом. Не используйте растворители или абразивные чистящие средства.
- Стиральная машина укомплектована программой «**АВТООЧИСТКА**» внутренних деталей, которую необходимо **выполнять без какого-либо белья в барабане**.

Стиральное вещество (в объеме 10% от рекомендуемого для очень грязного белья) или специальные добавки для чистки стиральной машины можно использовать в качестве вспомогательных в программе стирки. Рекомендуется выполнять программу чистки машины каждые 40 циклов стирки. Для запуска программы нажмите одновременно кнопки **A** и **B** на 5 сек. (см. Схему).

Программа автоматически запустится и длится примерно 70 минут. Для остановки цикла нажмите кнопку START/PAUSE.



Уход за распределителем моющих средств



Выньте распределитель, приподняв его и потянув наружу (см. схему). Промойте распределитель теплой водой. Эта операция должна выполняться регулярно.

Уход за люком и барабаном

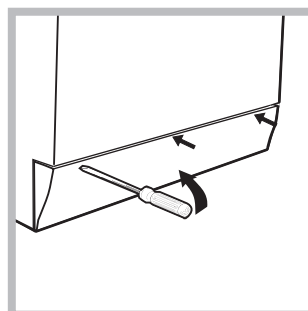
- После использования стиральной машины всегда следует оставлять люк полуоткрытым во избежание образования неприятных запахов в барабане.

Уход за насосом

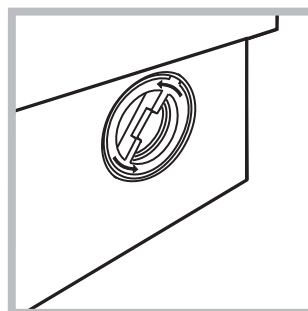
Стиральная машина оснащена самоочищающимся насосом, не нуждающимся в техническом обслуживании. Тем не менее мелкие предметы (монеты, пуговицы) могут упасть за кожух, предохраняющий насос, расположенный в его нижней части.

! Проверьте, чтобы цикл стирки завершился, и выньте штепсельную вилку из сетевой розетки.

Для доступа к кожуху:



1. снимите переднюю панель стиральной машины при помощи отвертки (см. схему);



2. отвинтите крышку, повернув ее против часовой стрелки (см. схему): небольшая утечка воды является нормальным явлением;

3. тщательно прочистите внутри кожуха;
4. завинтите крышку на место;
5. установите на место переднюю панель, проверив перед ее прикреплением к машине, чтобы крюки вошли в соответствующие петли.

Проверка водопроводного шланга

Проверяйте шланг подачи воды не реже одного раза в год. При обнаружении трещин или разрывов шланга замените его: в процессе стирки сильное давление воды в водопроводе может привести к внезапному отсоединению шланга.

! Никогда не пользуйтесь б/у шлангами.

Если ваша стиральная машина не работает. Прежде чем обратиться в Центр Сервисного обслуживания (см. *Сервисное обслуживание*), проверьте, можно ли устранить неисправность, следуя рекомендациям, приведенным в следующем перечне.

Неисправности:

Возможные причины / Методы устранения:

Стиральная машина не включается.

- Штепсельная вилка не соединена с электро розеткой или отходит и не обеспечивает контакта.
- В доме отключено электричество.

Цикл стирки не запускается.

- Люк машины закрыт неплотно.
- Не была нажата кнопка ON/OFF.
- Не была нажата кнопка START/PAUSE.
- Перекрыт водопроводный кран.
- Была запрограммирована задержка запуска цикла.

Стиральная машина не заливает воду (На дисплее показывается сообщение «НЕТ ПОДАЧИ ВОДЫ»).

- Водопроводный шланг не подсоединен к крану.
- Шланг согнут.
- Перекрыт водопроводный кран.
- В доме нет воды.
- Недостаточное водопроводное давление.
- Не была нажата кнопка START/PAUSE.

Машина непрерывно заливает и сливает воду.

- Сливной шланг не находится на высоте 65 – 100 см. от пола (см. «Установка»).
- Конец сливного шланга погружен в воду (см. «Установка»).
- Настенное сливное отверстие не оснащено вантузом для выпуска воздуха.

Если после вышеперечисленных проверок неисправность не будет устранена, следует перекрыть водопроводный кран, выключить стиральную машину и обратиться в Центр Сервисного Обслуживания. Если ваша квартира находится на последних этажах здания, могут наблюдаться явления сифона, поэтому стиральная машина производит непрерывный залив и слив воды. Для устранения этой аномалии в продаже имеются специальные клапаны против явления сифона.

Стиральная машина не сливает воду и не отжимает белье.

- Выбранная программа не предусматривает слив воды: для некоторых программ необходимо включить слив вручную.
- Включена функция ЛЕГКАЯ ГЛАЖКА: для завершения программы нажмите кнопку START/PAUSE (см. «Программы и функции»).
- Сливной шланг согнут (см. «Установка»).
- Засорен сливной трубопровод.

Стиральная машина сильно вибрирует в процессе отжима.

- В момент установки стиральной машины барабан был разблокирован неправильно (см. «Установка»).
- Стиральная машина установлена неровно (см. «Установка»).
- Машина зажата между стеной и мебелью (см. «Установка»).

Утечки воды из стиральной машины.

- Плохо прикручен водопроводный шланг (см. «Установка»).
- Засорен распределитель моющего средства (порядок его чистки см. в параграфе «Техническое обслуживание и уход»).
- Сливной шланг плохо закреплен (см. «Установка»).

Машина заблокирована, дисплей мигает и показывает код неисправности (наприм., F-01, F-..).

- Выключите машину и выньте штепсельную вилку из сетевой розетки, подождите 1 минуту и вновь включите машину. Если неисправность не устраняется, обратитесь в Сервисную Службу.

В процессе стирки образуется слишком обильная пена.

- Моющее средство непригодно для стирки в стиральной машине (на упаковке должно быть указано «для стирки в стиральной машине», «для ручной и машинной стирки» или подобное).
- В распределитель было помещено чрезмерное количество моющего средства.

Сервисное обслуживание

RU

Мы заботимся о своих покупателях и стараемся сделать сервисное обслуживание наиболее качественным. Мы постоянно совершенствуем наши продукты, чтобы сделать Ваше общение с техникой простым и приятным.

Уход за техникой

Продлите срок эксплуатации и снизьте вероятность поломки техники.

Воспользуйтесь профессиональными средствами для ухода за техникой от Indesit Professional для наиболее простого, эффективного и легкого ухода за Вашей бытовой техникой.

Продукты Indesit Professional производятся в Италии с соблюдением высоких европейских стандартов в области качества, экологии и безопасности использования и созданы с учетом многолетнего опыта производителя техники. Узнайте подробнее на сайте www.hotpoint-ariston.com в разделе «Сервис» и спрашивайте в магазинах Вашего города.

Авторизованные сервисные центры

Чтобы быть ближе к нашим потребителям, мы создали широкую сервисную сеть, особенностью которой является высокая подготовка, профессионализм и честность сервисных мастеров. На сегодняшний день она насчитывает около 350 сервисных центров на территории России и СНГ.

Их контакты Вы можете найти в сервисном сертификате и на сайте www.hotpoint-ariston.com в разделе «Сервис».

Если вам надо обратиться в сервисный центр:

Внимание! При ремонте требуйте использования оригинальных запасных частей.

Перед тем как обратиться в Службу Сервиса:

- Проверьте, нельзя ли устранить неисправность самостоятельно (см. «Неисправности и методы их устранения»);
- Вновь запустите программу для проверки исправности машины;
- В противном случае обратитесь в Авторизованный Сервисный Центр по телефонам, указанным в гарантийном таллоне.

! Никогда не обращайтесь к неавторизованным сервисным центрам.

При обращении в Сервисную Службу необходимо сообщить:

- тип неисправности;
- номер гарантийного документа (сервисной книжки, сервисного сертификата и т.п.);
- модель машины (Мод.) и серийный номер (S/N), указанные в информационной табличке, расположенной на задней панели стиральной машины.

Другую полезную информацию и новости Вы можете найти на сайте www.hotpoint-ariston.com в разделе «Сервис».

RO

Română

WMSD 723

Sumar

Instalare, 62-63

Despachetare și punere la nivel
Racorduri hidraulice și electrice
Primul ciclu de spălare
Date tehnice

Întreținere și curățare, 64

Înteruperea alimentării cu apă și curent electric
Curățarea mașinii de spălat
Curățarea compartimentului pentru detergent
Îngrijirea ușii și a tamburului
Curățarea pompei
Controlarea furtunului de alimentare cu apă

Precauții și sfaturi, 65

Norme de protecție și siguranță generale
Aruncarea reziduurilor

Descrierea mașinii de spălat, 66-67

Panoul de control
Display

Cum se desfășoară un ciclu de spălare, 68

Programe și funcții, 69

Tabel de programe
Funcții de spălare

Detergenți și rufe albe, 70

Compartimentul pentru detergenți
Pregătirea rufelor
Programe optionale
Sistemul de echilibrare a încărcăturii

Anomalii și remedii, 71

Asistență, 72

Instalare

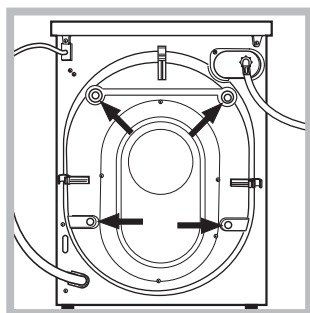
RO

! Este important să păstrați acest manual pentru a-l putea consulta în orice moment. În caz de vânzare, de cesiune sau de schimbare a locuinței, acesta trebuie să rămână împreună cu mașina de spălat pentru a informa noul proprietar cu privire la funcționare și la respectivele avertismente.

! Citiți cu atenție instrucțiunile: veți găsi informații importante cu privire la instalare, la folosire și la siguranță.

Despachetare și punere la nivel Despachetare

1. Scoaterea din ambalaj a mașinii de spălat.
2. Controlați ca mașina de spălat să nu fi fost deteriorată în timpul transportului. Dacă este deteriorată, nu o conectați și contactați agentul de vânzare.



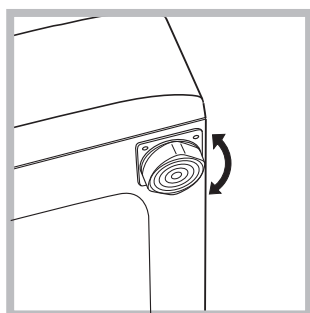
3. Scoateți cele 4 șuruburi de protecție pentru transport și cauciucul cu distanțierul respectiv, situate în partea posterioară (a se vedea figura).

4. Închideți orificiile cu dopurile din plastic aflate în dotare.
5. Păstrați toate piesele: pentru cazul în care mașina de spălat va trebui să fie transportată, piesele vor trebui montate din nou.

! Ambalajele nu sunt jucării pentru copii!

Punere la nivel

1. Instalați mașina de spălat pe un paviment plan și rigid, fără a o sprijini de ziduri, mobilă sau altceva.



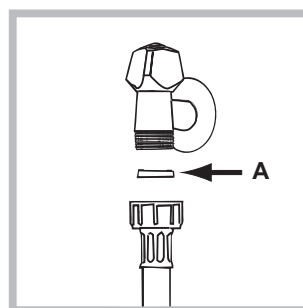
2. Dacă podeaua nu este perfect orizontală, compensați neregularitățile deșurubând sau înșurubând picioarele anterioa-

re (a se vedea figura); unghiul de înclinare, măsurat pe planul de lucru, nu trebuie să depășească 2°.

O nivelare precisă conferă stabilitate mașinii și evită vibrații, zgomote și deplasări pe timpul funcționării. În cazul mochetelor sau a unui covor, reglați picioarele astfel încât să mențineți sub mașina de spălat un spațiu suficient pentru ventilație.

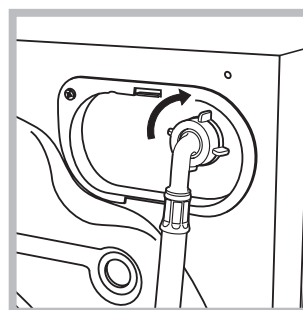
Racorduri hidraulice și electrice

Racordarea furtunului de alimentare cu apă



pentru a se limpezi.

1. Introduceți garnitura A în extremitatea tubului de alimentare și înșurubați-l la un robinet de apă rece cu gura filetată de 3/4 gaz (a se vedea figura). Înainte de conectare, lăsați apa să curgă



2. Conectați tubul de alimentare la mașina de spălat, înșurubându-l la priza de apă respectivă, amplasată în partea posterioară, sus în dreapta (a se vedea figura).

3. Fiți atenți ca furtunul să nu fie nici pliat, nici îndoit.

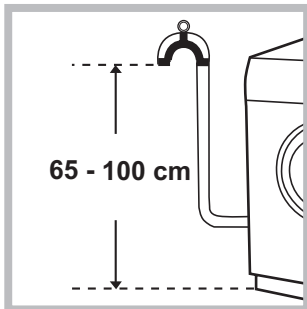
! Presiunea apei de la robinet trebuie să fie cuprinsă în valorile din tabelul cu Date tehnice (a se vedea pagina alăturată).

! Dacă lungimea furtunului de alimentare nu este suficientă, adresați-vă unui magazin specializat sau unui instalator autorizat.

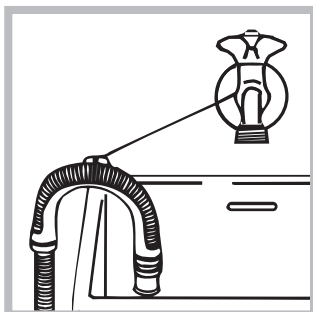
! Nu folosiți niciodată tuburi folosite deja.

! Utilizați tuburile furnizate cu mașina.

Conectarea furtunului de golire



Conectați furtunul de evacuare, fără al îndoii, la o conductă sau la o gură de evacuare în zid, situate între 65 și 100 cm de pământ;



sau sprijiniți pe marginea unei chiuvete sau a unei căzi, legând elementul de ghidare la robinet (a se vedea figura). Capătul liber al furtunului de golire nu trebuie să rămână cufundat în apă.

! Nu se recomandă folosirea furtunurilor prelungitoare; dacă este indispensabil, acestea trebuie să aibă același diametru ca și furtunul original și nu trebuie să depășească 150 cm lungime.

Racordarea electrică

Înainte de a introduce ștecherul în priza de curent, asigurați-vă că:

- priza să fie cu împământare și conformă prevederilor legale;
- priza să poată suporta sarcina maximă de putere a mașinii, indicată în tabelul cu Date tehnice (a se vedea alături);
- tensiunea de alimentare să fie cuprinsă în valorile indicate în tabelul cu Date tehnice (a se vedea alături);
- priza să fie compatibilă cu ștecărul mașinii de spălat. În caz contrar înlocuiți priza sau ștecărul.

! Mașina de spălat nu trebuie instalată afară, nici chiar în cazul în care spațiul este adăpostit, deoarece este foarte periculoasă expunerea mașinii la ploaie și furtuni.

! După instalarea mașinii de spălat, priza de curent trebuie să fie ușor accesibilă.

! Nu folosiți prelungitoare și prize multiple.

! Cablul nu trebuie să fie îndoit sau comprimat.

! Cablul de alimentare trebuie să fie înlocuit doar de instalatorii autorizați.

Atenție! Firma își declină orice responsabilitate în cazul în care aceste norme nu se respectă.

Primul ciclu de spălare

După instalare, înainte de folosire, efectuați un ciclu de spălare cu detergent și fără rufe, selectând programul „AUTOCURĂȚARE” (a se vedea „Curățarea mașinii de spălat”).

Date tehnice

Model	WMSD 723
Dimensiuni	lățime: 59,5 cm înălțime: 85 cm profundime: 43,5 cm
Capacitate	De la 1 la 7 kg pentru spălare
Legături electrice	vezi eticheta cu caracteristicile tehnice, aplicată pe mașină
Legături hidrice	presiune maximă: 1 MPa (10 bari) presiune minimă: 0,05 MPa (0,5 bari) capacitatea cuvei: 48 litri
Turația de centrifugare	până la 1200 de rotații pe minut
Programe de control conform directivelor 1061/2010 și 1015/2010	programul ◻ (60°) (a treia apăsare a butonului); Bumbac Eco 60°. programul ◻ (40°) (a treia apăsare a butonului); Bumbac Eco 40°.



Acest aparat este conform cu următoarele Directive Comunitare:

- 2004/108/CE (Compatibilitate Electromagnetică)
- 2012/19/EU (WEEE)
- 2006/95/CE (Tensiuni Joase)

Întreținere și curățare

RO

Înteruperea alimentării cu apă și curent electric

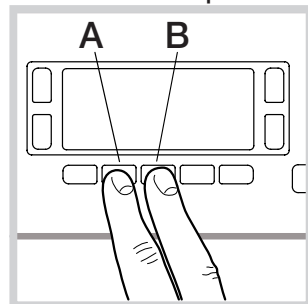
- Închideți robinetul de apă după fiecare spălare. Se limitează astfel uzura instalației hidraulice a mașinii de spălat și se elimină pericolul scurgerilor.
- Scoateți stecherul din priza de curent atunci când curățați mașina de spălat și când se efectuează lucrări de întreținere.

Curățarea mașinii de spălat

- Partea externă și părțile din cauciuc pot fi curățate cu o lavetă înmuiată în apă caldută și săpun. Nu folosiți solvenți sau substanțe abrazive.

- Mașina de spălat este prevăzută cu un program de „AUTOCURĂȚARE” a pieselor interne care trebuie realizat **fără niciun fel de încărcătură în cuvă**.

Detergentul (în cantitate de 10% din cea recomandată pentru rufe puțin murdare) sau aditivii specifici pentru curățarea mașinii de spălat pot fi folosite ca mijloace auxiliare în programul de spălare. Se recomandă efectuarea programului de curățare la fiecare 40 de cicluri de spălare.

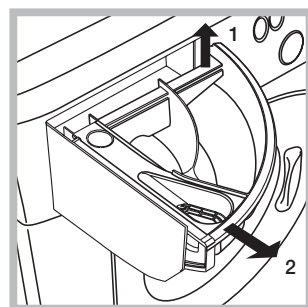


Pentru a activa programul, apăsați butoanele **A** și **B** în același timp pentru 5 secunde (a se vedea figura).

Programul pornește automat și durează aproximativ 70 de minute. Pentru a termina ciclul, apăsați butonul START/PAUSE.

na ciclul, apăsați butonul START/PAUSE.

Curățarea compartimentului pentru detergent



Trageți afara compartimentul ridicându-l și tragându-l spre exterior (a se vedea figura).

Spălați-l sub un jet de apă; această operație trebuie efectuată cât mai des posibil.

Îngrijirea ușii și a tamburului

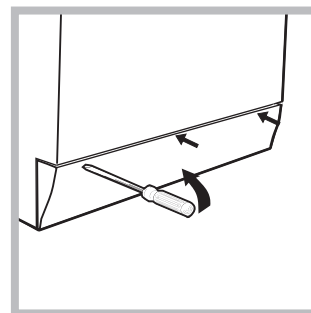
- Lăsați mereu ușa întredeschisă pentru a evita formarea de mirosuri neplăcute.

Curățarea pompei

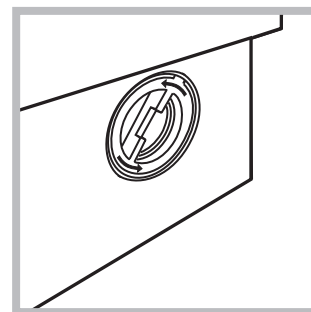
Mașina de spălat este dotată cu o pompă de autocurățare care nu are nevoie de întreținere. Se poate întâmpla însă ca unele obiecte mici (monede, nasturi) să cadă în anticamera care protejează pompa, situată în partea inferioară a acesteia.

! Verificați ca ciclul de spălare să fie încheiat și scoateți stecherul din priză.

Pentru a avea acces la anticameră:



1. scoateți panoul de acoperire din partea din față a mașinii de spălat folosind o șurubelniță (a se vedea figura);



2. deșurubați capacul rotindu-l în sens invers acelor de ceasornic (a se vedea figura). Este normal să iasă puțină apă;

3. curățați cu grijă interiorul;
4. înșurubați la loc capacul;
5. montați din nou panoul verificând, înainte de a-l împinge spre mașină, de a fi introdus cârligele în orificiile respective.

Controlarea furtunului de alimentare cu apă

Controlați tubul de alimentare cel puțin o dată pe an. Dacă prezintă crăpături sau fisuri trebuie înlocuit: pe parcursul spălărilor, presiunea puternică ar putea provoca crăpături neașteptate.

! Nu folosiți niciodată tuburi folosite deja.

! Mașina de spălat a fost proiectată și construită conform normelor internaționale de protecție. Aceste avertizări sunt furnizate din motive de siguranță și trebuie să fie citite cu atenție.

Siguranța generală

- Acest aparat a fost conceput exclusiv pentru utilizarea în locuințe.
- Aparatul nu trebuie utilizat de către persoane (inclusiv Aparat aparat poate fi folosit de copii începând cu vârsta de 8 ani și de persoane cu capacități fizice, senzoriale sau mentale reduse sau cu experiență și cunoștințe insuficiente dacă sunt supravegheate sau dacă au primit o pregătire adecvată privind folosirea aparatului în mod sigur și înțelegând pericolele respective. Copiii nu trebuie să se joace cu aparatul. Întreținerea și curățarea nu trebuie să fie efectuate de copii fără supraveghere.
- Mașina de spălat trebuie să fie folosită doar de persoane adulte care respectă instrucțiunile din acest manual.
- Nu atingeți mașina când sunteți desculți sau cu mâinile sau picioarele ude sau umede.
- Nu scoateți ștecherul din priză trăgând de cablu, ci apucând ștecherul.
- Nu deschideți sertarul detergenților în timp ce mașina se află în funcțiune.
- Nu atingeți apa de evacuare: poate avea o temperatură ridicată.
- Nu forțați în nici un caz ușa: s-ar putea deteriora mecanismul de siguranță care evită deschiderea accidentală.
- În caz de defecțiune, nu umblați în niciun caz la mecanismele din interior și nu încercați să o reparați singuri.
- Controlați mereu ca în apropierea mașinii aflate în funcțiune, să nu se afle copii.
- Pe durata spălării ușa se poate încălzi.
- Dacă trebuie să deplasați mașina, cereți ajutor unei alte (sau 2) persoane și fiți foarte atenți. Niciodată nu deplasați mașina singuri deoarece aceasta este foarte grea.
- Înainte de a introduce rufele, controlați ca și cuva să fie goală.

Scoaterea din uz

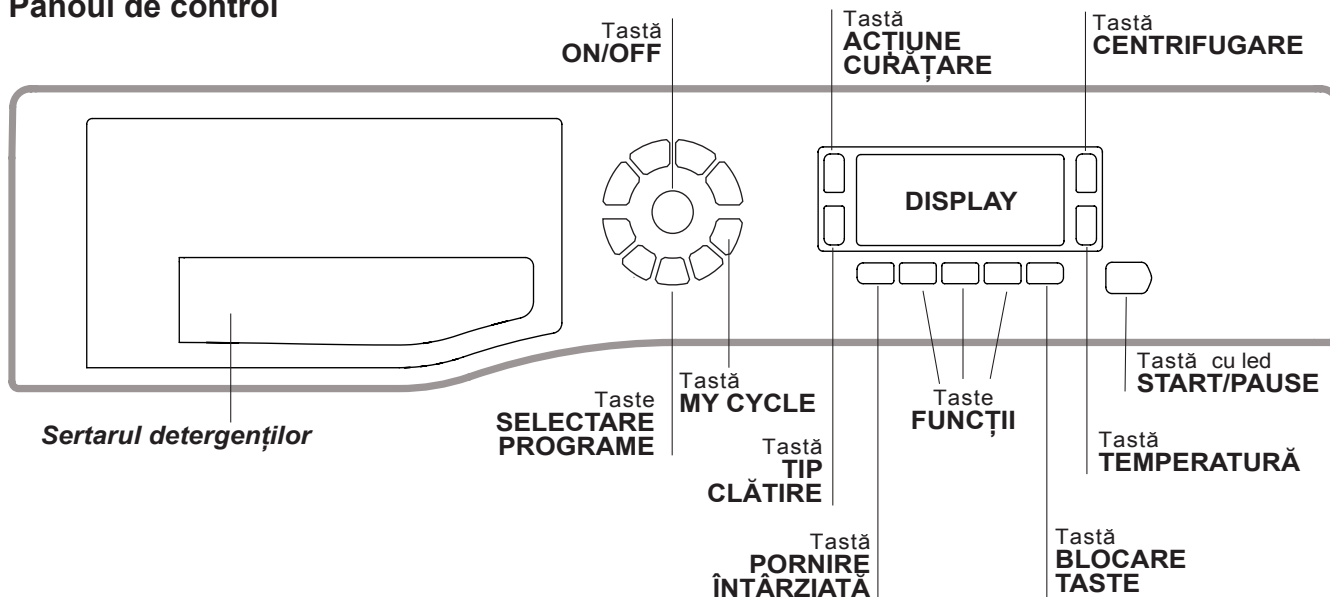
- Eliminarea ambalajelor: respectați reglementările locale, în acest fel ambalajele vor putea fi refolosite.
- Directiva Europeană 2012/19/EU cu privire la deșeurile care provin de la aparatura electrică sau electronică prevede ca aparatele electrocasnice să nu fie colectate împreună cu deșeurile urbane solide, obișnuite. Aparatele scoase din uz trebuie să fie colectate separat atât pentru a optimiza rata de recuperare și de reciclare a materialelor componente cât și pentru a evita pericolele care pot afecta sănătatea omului sau polua mediul înconjurător. Simbolul tomberonului tăiat care apare pe toate produsele vă amintește tocmai obligația de a le colecta separat. Pentru

informații suplimentare cu privire la scoaterea din uz a electrocasnicilor, deținătorii acestora pot apela la centrele de colectare a deșeurilor sau la vânzătorii de la care au achiziționat produsele respective.


Descrierea mașinii de spălat

RO

Panoul de control



Sertarul detergenților: pentru a introduce detergenți sau aditivi (a se vedea "Detergenți și rufe albe").


Tastă ON/OFF : apăsați scurt tasta pentru a porni sau opri mașina de spălat. Indicatorul START/PAUSE emite un semnal intermitent de culoare verde, ceea ce vă confirmă pornirea mașinii. Pentru a opri funcționarea mașinii de spălat în timpul spălării, este necesar să țineți apăsată tasta circa 3 secunde; o apăsare de scurtă durată sau accidentală nu va opri mașina. Oprirea mașinii de spălat în timpul executării unui ciclu va anula programul în curs de desfășurare.


Taste SELECTARE PROGRAME: pentru a alege programul dorit (a se vedea "Tabel de programe").


Tastă MY CYCLE: țineți apăsată tasta pentru a introduce în memorie un ciclu personalizat după preferință. Pentru a activa un ciclu memorat anterior, apăsați tasta MY CYCLE.



Taste FUNCȚII: apăsați tasta pentru a alege funcția dorită. Pe display veți observa aprinderea indicatorului luminos.

Tastă ACȚIUNE CURĂȚARE : apăsați pentru a selecta intensitatea dorită de spălare.

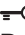
Tastă TIP CLĂTIRE : apăsați pentru a selecta tipul dorit de clătire.

Tastă CENTRIFUGARE : apăsați tasta pentru a reduce numărul de rotații sau a opri storcerea; numărul de rotații se poate vedea pe display.

Tastă TEMPERATURĂ : apăsați pentru a micșora temperatura; valoarea va fi indicată pe display.

Tastă BLOCARE TASTE : pentru a **bloca** panoul de comandă, țineți apăsată tasta timp de 2 secunde. Dacă ledul  corespunzător este aprins, atunci panoul de comenzi este blocat (cu excepția buton ON/OFF). În acest fel, se evită modificarea accidentală a unui program, în special de către copii. Pentru a **debloca** panoul de comandă, țineți apăsată tasta timp de 2 secunde.

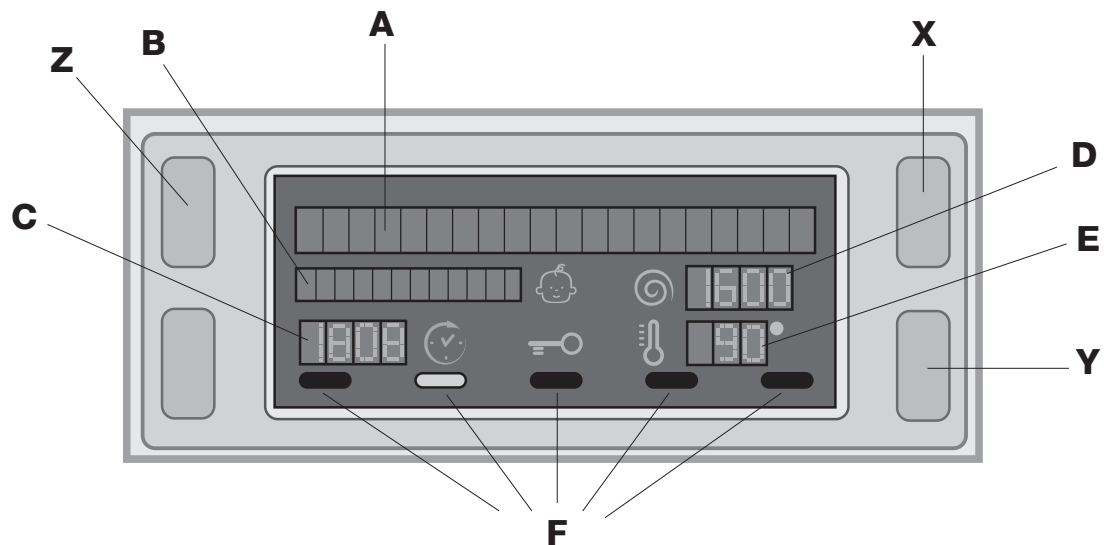
Tastă PORNIRE ÎNTÂRZIATĂ : apăsați pentru a programa pornirea mașinii la o anumită oră. Întârzierea va fi indicată pe display.

Tastă cu led START/PAUSE: când ledul verde emite un semnal intermitent, apăsați tasta pentru a porni ciclul de spălare. După activarea ciclului, ledul rămâne aprins. Pentru a introduce o pauză în timpul spălării, apăsați din nou tasta: ledul va emite o lumină intermitentă, de culoare portocalie. După stingerea indicatorului luminos , puteți deschide ușa (așteptați aproximativ 3 minute). Pentru a continua spălarea, de unde a fost întreruptă, apăsați din nou tasta.

Modalitatea de stand by

Această mașină de spălat rufe, conform noilor norme legate de economia de curent electric, este dotată cu un sistem de oprire automat (stand-by) care intră în funcțiune după 30 minute de neutilizare. Apăsați scurt tasta ON/OFF și așteptați repunerea în funcțiune a mașinii.

Display



Ecranul este util pentru a programa mașina și a furniza numeroase informații.

Pe cele două rânduri de sus, **A** și **B**, apar programul de spălare ales, faza de spălare în curs de desfășurare și toate indicațiile cu privire la stadiul de avansare a programului.

Rândul **C** este dedicat timpului restant până la încheierea ciclului de spălare sau – dacă ați programat pornirea mașinii la o anumită oră (PORNIRE ÎNTÂRZIATĂ) – timpul restant până la inițierea spălării.

Pe rândul **D** apare viteza maximă a storcătorului -admisă de mașină -în funcție de programul ales; dacă programul nu include o fază de centrifugare, atunci rândul este întunecat.

Pe rândul **E** apare temperatura maximă care poate fi selectată în funcție de programul ales; dacă programul prevede spălarea la rece, atunci rândul este întunecat.

Indicatoarele **F** se referă la funcții și se aprind când funcția selectată este compatibilă cu programul ales.

Indicator Ușă blocată

Simbolul aprins indică faptul că ușa este blocată, pentru a împiedica deschiderea accidentală. Pentru a evita daune este necesar să se aștepte ca simbolul să se stingă înainte de a deschide ușa (așteptați aproximativ 3 minute).

N.B.: dacă funcția PORNIRE ÎNTÂRZIATĂ este activă, ușa nu se poate deschide; pentru a o deschide, apăsați tasta START/PAUSE pentru a întrerupe momentan programarea.

! La punerea în funcțiune a mașinii (prima dată) vi se va cere să selectați limba; ecranul va afișa direct meniul de alegere limbă.

Pentru a alege limba dorită, apăsați tastele **X** și **Y** iar pentru a confirma alegerea, apăsați tasta **Z**.

Dacă doriți să schimbați limba, opriți mașina, apăsați în același timp pe butoanele **X**, **Y**, **Z** până când auziți un semnal acustic, va fi afișat din nou meniul de selectare a limbii.

Cum se desfășoară un ciclu de spălare

RO

- 1. PUNEREA ÎN FUNCȚIUNE A MAȘINII.** Apăsăți tasta ; pe ecran va apărea mesajul PORNIRE ÎN CURS. Indicatorul START/PAUSE va emite un semnal intermitent de culoare verde.
- 2. INTRODUCEREA RUFELOR.** Deschideți ușa. Introduceți rufe în mașină, fiind atenți să nu depășiți cantitatea indicată în tabelul de programe (vezi pagina următoare).
- 3. DOZAREA DETERGENTULUI.** Extrageți sertarul și turnați detergent în compartimentele respective, după indicațiile din cap. „Detergenți și rufe albe”.
- 4. ÎNCHIDEȚI UȘA.**
- 5. ALEGEREA PROGRAMULUI.** Apăsăți una din tastele de SELECTARE PROGRAME pentru a alege programul dorit; numele programului va fi afișat pe ecran, împreună cu temperatura de spălare și viteza storcătorului, acestea din urmă putând fi modificate. Pe ecran va apărea și durata ciclului.
- 6. PERSONALIZAREA CICLULUI DE SPĂLARE.** Apăsăți tastele respective.

Modificare temperaturii și/sau a vitezei de stoarcere.

Mașina selectează automat temperatura și viteza de stoarcere maxime, din cele prevăzute pentru programul ales; aceste valori nu pot fi mărite. Apăsând tasta se poate reduce progresiv temperatura până la excluderea completă a încălzirii apei, “OFF”, care corespunde cu spălarea la rece. Apăsând tasta puteți micșora treptat viteza de stoarcere, până la zero, anulând complet centrifuga “OFF”. Din acest moment, apăsarea ulterioară a tastelor va aduce valorile de temperatură și viteză de stoarcere la cele maxime prevăzute.

! Excepție: dacă selectați programul (60°C) (prima apăsare a butonului) temperatura poate fi crescută până la 90°.

Configurarea pornirii întârziată.

Pentru a programa pornirea întârziată a mașinii, apăsați tasta respectivă pentru a alege timpul de întârziere dorit. Când opțiunea este activă, pe ecran se va aprinde simbolul . Pentru a anula pornirea întârziată, apăsați tasta până când pe ecran veți vedea mesajul OFF.

Reglați intensitatea dorită de spălare.

Opțiunea permite optimizarea spălării în funcție de gradul de murdarie al țesăturilor și de intensitatea dorită a spălării.

Selectați programul de spălare, ciclul este reglat automat la nivelul „NORMAL”, optimizat pentru rufe cu grad normal de murdarie (această reglare nu este valabilă pentru ciclul „Lână”, care se reglează automat la nivelul „DELICATE”).

Pentru rufe foarte murdare apăsați butonul până se ajunge la nivelul „EXTRA SPĂLARE”. Datorită utilizării unei cantități mai mari de apă în faza inițială a ciclului și a unei mișcări mecanice mai mari, această opțiune garantează o spălare de mare performanță și este utilă pentru eliminarea petelor rezistente. Poate fi utilizată **cu** sau **fără** înălbitor.

Dacă doriți să efectuați albirea, introduceți tăvița suplimentară 4, din dotare, în tăvița 1. Când dozați înălbitorul, nu depășiți nivelul „max” indicat pe pivotul central (a se vedea figura de la pag. 70).

Pentru rufe puțin murdare sau pentru un tratament mai delicat al țesăturilor, apăsați butonul până

se ajunge la nivelul „DELICATE”. Ciclul va reduce mișcarea mecanică pentru a asigura rezultate perfecte de spălare pentru rufe delicate.

Reglați tipul de clătire.

Opțiunea vă permite să selectați tipul de clătire dorit pentru îngrijirea maximă a pielii sensibile. Prima apăsare a butonului stabilește nivelul „EXTRA LIMPEZIRE” care vă permite să selectați o clătire suplimentară față de cele standard ale ciclului, pentru a elimina toate urmele de detergent. A doua apăsare a butonului stabilește nivelul „PIELE SENSIBILE” care vă permite să selectați două clătiri suplimentare față de cele standard ale ciclului și este recomandat pentru pielea foarte sensibilă. A treia apăsare a butonului stabilește nivelul „CLĂTIRE ANTIALERGIE” care vă permite să selectați trei clătiri suplimentare față de cele standard ale ciclului, pentru a elimina principalii alergeni, cum ar fi polenul, acarieni din praf, părul de pisică și de câine. Apăsăți butonul din nou pentru a reveni la tipul de clătire „LIMPEZIRE NORMALĂ”. Dacă nu se poate regla sau modifica reglarea existentă, pe ecran se va vizualiza „INACTIV”.

Modificarea caracteristicilor unui ciclu.

- Apăsăți tasta pentru a activa funcția; ledul corespunzător butonului se va aprinde.
- Apăsăți din nou tasta pentru a dezactiva funcția; indicatorul luminos se va stinge.

! Dacă funcția selectată nu este compatibilă cu programul ales, ledul corespunzător se va aprinde intermitent iar funcția nu se va activa.







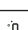









! Dacă funcția aleasă nu este compatibilă cu o funcție selectată anterior, indicatorul care corespunde primei funcții va emite un semnal intermitent iar indicatorul celei de a doua se va aprinde: acest lucru înseamnă că se va activa numai a doua funcție (ultima aleasă).

! Cantitatea de rufe admisă precum și durata ciclului pot varia în funcție de funcția aleasă.

- 7. ACTIVAREA UNUI PROGRAM.** Apăsăți tasta START/PAUSE. Indicatorul luminos se va aprinde (culoarea verde) și ușa se va bloca (simbolul UȘĂ BLOCATĂ se va aprinde). În timpul spălării, pe ecran va apărea numele fazei în curs de desfășurare. Pentru a modifica un program în timpul executării unui ciclu, apăsați tasta START/PAUSE pentru a întrerupe momentan ciclul; indicatorul corespunzător tastei START/PAUSE se va aprinde intermitent (culoarea portocalie). Alegeți noul ciclu dorit și apăsați din nou tasta START/PAUSE. Pentru a deschide ușa în timpul executării unui ciclu, apăsați tasta START/PAUSE; când simbolul UȘĂ BLOCATĂ se stinge, puteți deschide ușa (așteptați aproximativ 3 minute). Apăsăți din nou tasta START/PAUSE pentru a relua programul de unde era oprit.
- 8. TERMINAREA PROGRAMULUI.** La încheierea ciclului, pe ecran va apărea mesajul “SFÂRȘITUL PROGRAMULUI”; când simbolul UȘĂ BLOCATĂ se stinge, puteți deschide ușa (așteptați aproximativ 3 minute). Deschideți ușa, scoateți rufe și opriți mașina de spălat.

! Dacă doriți să anulați un ciclu deja demarat, țineți apăsată tasta câteva secunde. Ciclul va înceta definitiv iar mașina se va opri.

Tabel de programe

Programe	Descrierea Programului	Temp. max. (°C)	Viteza max. (rotații pe minut)	Detergenți				Sarcina Max. (kg)	Umiditate reziduală%	Consum energie kWh	Apă totală lt	Durata ciclului de spălare
				Pre-spălare	Spălare	Decolorant	Balsam rufe					
	ANTIPATĂ	40°	1200	●	●	-	●	4	-	-	-	*
	BUMBAC (a prima apăsare a butonului): albe și colorate rezistente foarte murdare.	60° (Max. 90°)	1200	●	●	●	●	7	-	-	-	*
	BUMBAC (a doua apăsare a butonului): colorate delicate puțin murdare.	20°	1200	-	●	●	●	7	-	-	-	*
	BUMBAC ECO 60° (1) (a treia apăsare a butonului): albe și colorate rezistente foarte murdare.	60°	1200	-	●	-	●	7	53	1,02	52,5	200'
	BUMBAC ECO 40° (2) (a treia apăsare a butonului): colorate delicate puțin murdare.	40°	1200	-	●	-	●	7	53	0,99	78	175'
	SINTETICE REZISTENTE (prima apăsare a butonului): colorate rezistente foarte murdare.	60°	1000	●	●	●	●	3,5	49	0,91	53	110'
	SINTETICE REZISTENTE (3) (prima apăsare a butonului): colorate rezistente foarte murdare.	40°	1000	●	●	●	●	3,5	-	-	-	*
	SINTETICE DELICATE (a doua apăsare a butonului): colorate rezistente puțin murdare.	40°	1000	●	●	●	●	3,5	-	-	-	*
	SPĂLARE RAPIDĂ 60' (prima apăsare a butonului): pentru a spăla rapid articolele foarte murdare (nu este indicat pentru lână, matase și articole de spălat cu mână).	60°	1200	-	●	-	●	3,5	-	-	-	*
	SPĂLARE RAPIDĂ 30' (a doua apăsare a butonului): pentru a spăla rapid articolele puțin murdare (nu este indicat pentru lână, matase și articole de spălat cu mână).	30°	800	-	●	-	●	3	71	0,19	39	30'
M	MEMO: permite memorarea oricărui tip de spălare.											
	LENJERIE, PROSOAPE: pentru prosoape și cearceafuri.	60°	1200	●	●	-	●	7	-	-	-	*
	Woolmark Platinum (LÂNĂ): pentru articole din lână, casmir.	40°	800	-	●	-	●	1,5	-	-	-	*
	DELICATE	30°	0	-	●	-	●	1	-	-	-	*
	CENTRIFUGARE (prima apăsare a butonului)	-	1200	-	-	-	-	7	-	-	-	*
	CLĂTIRE (a doua apăsare a butonului)	-	1200	-	-	-	●	7	-	-	-	*
	EVACUARE (a treia apăsare a butonului)	-	0	-	-	-	-	7	-	-	-	*

* Puteți vizualiza durata programelor de spălare pe display.

Durata ciclului indicată pe display sau în carte este calculată în baza unor condiții standard. Timpul efectiv poate varia în baza a numeroși factori, precum temperatura și presiunea apei la intrare, temperatura mediului, cantitatea de detergent, cantitatea și tipul încărcăturii, echilibrarea încărcăturii, opțiunile suplimentare selectate.

(1) Programul de control conform normei 1061/2010: reglați programul  la 60°C (a treia apăsare a butonului).


Acest ciclu este potrivit pentru curățarea unei încărcături de bumbac cu grad de murdărie normal și este cel mai eficient din punct de vedere al consumului combinat de energie și apă; se folosește pentru articole de îmbrăcăminte care pot fi spălate la 60°C. Temperatura efectivă de spălare poate diferi de cea indicată.

(2) Programul de control conform normei 1061/2010: reglați programul  la 60°C (a treia apăsare a butonului); temperatura de 40° C (apăsati tasta TEMPERATURĂ).

Acest ciclu este potrivit pentru curățarea unei încărcături de bumbac cu grad de murdărie normal și este cel mai eficient din punct de vedere al consumului combinat de energie și apă; se folosește pentru articole de îmbrăcăminte care pot fi spălate la 40°C. Temperatura efectivă de spălare poate diferi de cea indicată.

Pentru toate Instituțiile de Testare:

(2) Program pentru bumbac, prelungit: reglați programul  la 60°C (a treia apăsare a butonului); temperatura de 40° C (apăsati tasta TEMPERATURĂ).

(3) Program sintetic lung: reglați programul  la 60°C (prima apăsare a butonului); temperatura de 40° C (apăsati tasta TEMPERATURĂ).

Funcții de spălare

! Dacă funcția selectată nu este compatibilă cu programul ales, ledul corespunzător se va aprinde intermitent iar funcția nu se va activa.

! Dacă funcția aleasă nu este compatibilă cu o funcție selectată anterior, indicatorul care corespunde primei funcții va emite un semnal intermitent iar indicatorul celei de a doua se va aprinde: acest lucru înseamnă că se va activa numai a doua funcție (ultima aleasă).

Prespălare

Această funcție este utilă pentru prespălarea rufelor, mai ales în scopul de a îndepărta petele rezistente.

N.B.: Adăugați detergent în sertarul respectiv.

Călcare Ușoară

Selectând această opțiune, spălarea și centrifuga vor fi modificate în mod oportun, pentru a reduce plierea rufelor.

La încheierea ciclului, mașina de spălat va efectua o rotație lentă a coșului, indicatorul funcției CĂLCARE USOARA, ca și cel de START/PAUSE vor emite semnale intermitente (portocalii) iar pe display va apărea mesajul "SFÂRȘITUL PROGRAMULUI". Pentru a termina ciclul, apăsați tasta START/PAUSE sau tasta CĂLCARE USOARA.

Eco Wash

Funcția Eco Wash contribuie la economia de energie, neîncălzind apa folosită pentru spălarea rufelor – un avantaj atât pentru mediul înconjurător, cât și pentru factura de curent electric. Într-adevăr, acțiunea mai puternică și consumul optimizat de apă garantează rezultate optime în aceeași durată medie a unui ciclu standard. Pentru a obține rezultate mai bune ale spălării, se recomandă folosirea unui detergent lichid.

Detergenți și rufe albe

RO

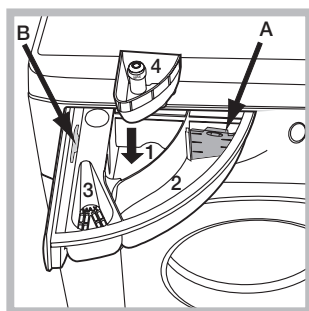
Compartimentul pentru detergenți

Un rezultat bun la spălare depinde și de dozarea corectă a detergentului: excesul de detergent nu garantează o spălare mai eficientă, ci contribuie la deteriorarea părților interne ale mașinii de spălat și la poluarea mediului înconjurător.

! Utilizați detergenți praf pentru rufe albe de bumbac, pentru prespălare și pentru spălarea la temperaturi mai mari de 60°C.

! Respectați indicațiile de pe ambalajul detergentului.

! Nu introduceți în mașină detergenții pentru spălarea manuală deoarece formează prea multă spumă.



Deschideți compartimentul pentru detergenți și introduceți detergentul sau aditivul după cum urmează:

compartiment 1: Detergent pentru prespălare (sub formă de praf)

Înainte de a adăuga detergentul verificați ca sertarul adițional 4 să nu fie introdus.

compartiment 2: Detergent pentru spălare (sub formă de praf sau lichid)

Când utilizați detergent lichid este recomandat să folosiți peretele despărțitor **A** prevăzut pentru dozarea corectă. Pentru utilizarea de detergent praf puneți peretele despărțitor în cavitatea **B**.

compartiment 3: Aditivi (soluție de înmuiat, balsam rufe etc.)

Soluția de înmuiat nu trebuie să iasă deasupra grătarului.

compartiment adițional 4: Decolorant (Înălbitor)


Pregătirea rufelor


- Sortați rufe în funcție de:
 - tipul de material / simbolul de pe etichetă.
 - culori: separați rufe colorate de cele albe.
- Goliți buzunarele și controlați nasturii.
- Nu depășiți valorile indicate, referite la greutatea rufelor uscate: a se vedea "Tabel de programe".


Cât cântăresc rufe?

- 1 cearceaf 400-500 g.
- 1 față de pernă 150-200 g.
- 1 față de masă 400-500 g.
- 1 halat de baie 900-1.200 g.
- 1 prosop 150-250 g.

Programe optionale

ANTIPATĂ: Programul  este potrivit pentru rufe foarte murdare, cu culori rezistente. Programul asigură o clasă de spălare superioară față de clasa standard (clasa A). Nu efectuați programul amestecând rufe de culori diferite. Se recomandă folosirea unui detergent praf. Pentru petele dificile se recomandă pre-tratamentul cu aditivi specifici.


BUMBAC : ideal pentru rufe de bumbac murdare. Performanțele bune și la rece, comparabile cu o spălare la 40°, sunt garantate de o acțiune mecanică care lucrează prin varierea vitezei la intervale repetate și apropiate.

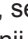

LENJERIE, PROSOAPE: pentru spălarea tuturor prosoapelor de baie și cearceafurilor de pat într-un singur ciclu, folosiți programul , care optimizează utilizarea balsamului și vă permite să realizați o mare economie de timp și de energie. Se recomandă folosirea unui detergent praf.

LÂNĂ - Woolmark Apparel Care - Green:

ciclul de spălare „Lână” al acestei mașini de spălat a fost aprobat de Woolmark Company pentru spălarea articolelor de lână clasificate pentru „spălarea manuală”, cu condiția ca spălarea să se efectueze cu respectarea instrucțiunilor specificate pe eticheta articolului de îmbrăcăminte și a indicațiilor furnizate de producătorul acestei mașini de spălat. (M1253)



DELICATE: folosiți programul  pentru spălarea rufelor foarte delicate, care au aplicații, cum ar fi strass sau paiete.

Pentru a spăla articole din mătase și perdele, selectați ciclul  și reglați nivelul „DELICATE” al opțiunii . Se recomandă să întoarceți pe dos rufe înainte de spălare și să introduceți articolele mici într-un sac special pentru spălarea rufelor delicate.

Pentru cele mai bune rezultate, vă recomandăm utilizarea unui detergent lichid pentru rufe delicate.

Sistemul de echilibrare a încărcăturii

Pentru a evita trepidațiile excesive, înainte de stocare, cuva mașinii va distribui cantitatea de rufe în mod uniform, centrifuga efectuând câteva rotații la o viteză mai mare decât viteza de spălare. Dacă, după numeroase încercări, mașina nu reușește să echilibreze greutatea, stocarea rufelor se va face la o viteză mai mică decât cea prevăzută în program. Dacă instabilitatea este prea mare, mașina va distribui greutatea în locul centrifugei. Pentru a favoriza o mai bună repartizare a rufelor și echilibrarea corectă a mașinii, se recomandă să introduceți în mașină atât articole mari cât și mici.

Se poate întâmpla ca mașina de spălat să nu funcționeze. Înainte de a apela serviciul de Service (a se vedea *Asistență*), verificați dacă nu este vorba de o problemă ușor de rezolvat:

Anomalii:

Cauze posibile / Rezolvare:

Mașina de spălat nu pornește.

- Stecherul nu este introdus în priză de curent, sau nu face contact.
- Aveți o pană de curent la domiciliu.

Ciclul de spălare nu pornește.

- Ușa nu este bine închisă.
- Tasta ON/OFF nu a fost apăsată.
- Tasta START/PAUSE nu a fost apăsată.
- Robinetul de apă nu este deschis.
- A fost fixată o întârziere de pornire (a se vedea *“Cum se desfășoară un ciclu de spălare”*).

Mașina de spălat nu se alimentează cu apă (Pe display va apărea mesajul “NU SE ALIMENTEAZĂ, DESCHIDEȚI ROBINETUL”).

- Furtunul de alimentare cu apă nu este racordat la robinet.
- Furtunul este îndoit.
- Robinetul de apă nu este deschis.
- Apa la domiciliul dumneavoastră.
- Apa nu are presiune suficientă.
- Tasta START/PAUSE nu a fost apăsată.

Mașina de spălat încarcă și descarcă apă continuu.

- Furtunul de golire nu a fost instalat la o înălțime cuprinsă între 65 și 100 cm de pământ (a se vedea *“Instalare”*).
 - Capătul furtunului de evacuare este cufundat în apă (a se vedea *“Instalare”*).
 - Evacuarea din perete nu are răsufare pentru aer.
- Dacă după aceste verificări problema nu se rezolvă, închideți robinetul de apă, opriți mașina de spălat și chemați Service-ul. Dacă locuința se află la ultimele etaje ale unui edificiu, este posibil să aibă loc fenomene de sifonare, motiv pentru care mașina de spălat încarcă și descarcă apă încontinuu. Pentru a elimina acest inconvenient, se găsesc în comerț supape anti-sifonare.

Mașina de spălat nu se golește sau nu stoarce.

- Programul nu prevede golirea apei: în cazul anumitor programe, este necesară activarea manuală (a se vedea *“Programe și funcții”*).
- Funcția CĂLCARE UȘOARĂ este activă: pentru a încheia programul, apăsați tasta START/PAUSE (a se vedea *“Programe și funcții”*).
- Furtunul de golire este îndoit (a se vedea *“Instalare”*).
- Conducta de descărcare este înfundată.

Mașina de spălat vibrează foarte mult în timpul stocării.

- Cuva, în momentul instalării, nu a fost deblocată în mod corespunzător (a se vedea *“Instalare”*).
- Mașina de spălat este în pantă (a se vedea *“Instalare”*).
- Mașina de spălat este prea aproape de pereți și mobilier (a se vedea *“Instalare”*).

Mașina de spălat pierde apă.

- Furtunul de alimentare cu apă nu este bine înșurubat (a se vedea *“Instalare”*).
- Compartimentul de detergenți este înfundat (pentru a-l curăța a se vedea *“Întreținere și curățare”*).
- Furtunul de golire nu este bine fixat (a se vedea *“Instalare”*).

Mașina este blocată iar ecranul se va aprinde intermitent semnalând un cod de anomalie (de ex., F-01, F-..).

- Opriți mașina și scoateți stecherul din priză; așteptați aproximativ 1 minut înainte de a o reaprindi. Dacă nu obțineți nici un rezultat, apălați Centrul de service pentru asistență.

Se formează prea multă spumă.

- Detergentul nu este compatibil cu mașina de spălat (trebuie să fie scris „pentru mașina de spălat”, „de mână sau în mașina de spălat”, sau ceva asemănător).
- Dozajul a fost excesiv.

Asistență

RO

Înainte de a lua legătura cu Service-ul:

- Verificați dacă puteți rezolva singuri problema (*a se vedea "Anomalii și remedii"*);
 - Porniți din nou programul pentru a controla dacă inconvenientul a fost eliminat;
 - În caz negativ, luați legătura cu asistența tehnică autorizată la numărul telefonic indicat pe certificatul de garanție.
- ! Nu apelați niciodată la persoane neautorizate.

Comunicați:

- tipul de anomalie;
- modelul mașinii (Mod.);
- numărul de serie (S/N).

Aceste informații sunt specificate pe plăcuța cu date tehnice, lipită în partea din spate a mașinii de spălat precum și în partea anterioară, după ce deschideți ușa.

Atenționări în conformitate cu legislația în vigoare

- Conform prevederilor legislației privind gestionarea deșeurilor, este interzisă eliminarea deșeurilor de echipamente electrice și electronice (DEEE) alături de deșeurile municipale nesortate. Ele trebuie predate la punctele municipale de colectare, societățile autorizate de colectare/reciclare sau distribuitori (în cazul în care se achiziționează echipamente noi de același tip).
- Autoritățile locale trebuie să asigure spațiile necesare pentru colectarea selectivă a deșeurilor precum și funcționalitatea acestora. Contactați societatea de salubritate sau compartimentul specializat din cadrul primăriei pentru informații detaliate.
- Deșeurile de echipamente electrice și electronice pot fi predate și distribuitorilor, la achiziționarea de echipamente noi de același tip (schimb 1 la 1).
- Predarea, de către utilizatori, a deșeurilor de echipamente electrice și electronice, la punctele de colectare municipale, societățile autorizate de colectare/reciclare sau distribuitori (în cazul în care se achiziționează echipamente noi de același tip) facilitează refolosirea, reciclarea sau alte forme de valorificare a acestora.
- Deșeurile de echipamente electrice și electronice pot conține substanțe periculoase care pot avea un impact negativ asupra mediului și sănătății umane în cazul în care DEEE nu sunt colectate selectiv și gestionate conform prevederilor legale.
- Simbolul alăturat (o pubela cu roți, barata cu două linii în forma de X), aplicat pe un echipament electric sau electronic, semnifică faptul că acesta face obiectul unei colectări separate și nu poate fi eliminat împreună cu deșeurile municipale nesortate.



REGULAMENTUL DELEGAT (UE) NR. 1061/2010 AL COMISIEI

REGULAMENTUL DELEGAT (UE) NR. 1061/2010 AL COMISIEI	
Marca	HOTPOINT/ARISTON
Modelul	WMSD 723B EU.L
Capacitatea nominală exprimată în kg de rufe din bumbac	7
Clasa de eficiență energetică pe o scară de la A+++ (consum redus) la G (consum ridicat)	A+++
Consumul de energie anual exprimat în kWh ¹⁾	173
Consumul de energie la programul de spălare rufe din bumbac standard la 60 °C la capacitate maximă exprimat în kWh ²⁾	1.02
Consumul de energie la programul de spălare rufe din bumbac standard la 60 °C la capacitate parțială exprimat în kWh ²⁾	0.585
Consumul de energie la programul de spălare rufe din bumbac standard la 40 °C la capacitate parțială exprimat în kWh ²⁾	0.55
Consumul de energie în modul off (oprit) exprimat în W	0,5
Consumul de energie în modul left-on (rămas în funcțiune) exprimat în W	8
Consumul de apă anual exprimat în litri ³⁾	10670
Clasa de eficiență la centrifugare pe o scară de la G (eficiență minimă) la A (eficiență maximă)	B
Numărul maxim de rotații ⁴⁾	1200
Conținutul de apă rămas ⁵⁾	53.0%
Durata programului de spălare rufe din bumbac standard la 60 °C la capacitate maximă exprimată în minute.	200
Durata programului de spălare rufe din bumbac standard la 60 °C la capacitate parțială exprimată în minute.	150
Durata programului de spălare rufe din bumbac standard la 40°C la capacitate parțială exprimată în minute.	145
Durata modului left-on (rămas în funcțiune) exprimată în minute	30
Nivelul de zgomot exprimat în dB(A) re 1 pW spălare ⁶⁾	58
Nivelul de zgomot exprimat în dB(A) re 1 pW centrifugare ⁶⁾	74
Model încorporat	

¹⁾ "Programul de spălare rufe din bumbac standard la 60 °C la capacitate maximă și parțială și "programul de spălare rufe din bumbac standard la 40 °C la capacitate parțială sunt programele de spălare standard la care fac referire informațiile de pe etichetă și din fișa produsului. Programul de spălare rufe din bumbac standard la 60 °C și programul de spălare rufe din bumbac standard la 40 °C sunt adecvate pentru spălarea rufelor din bumbac cu grad de murdărie normal și sunt cele mai eficiente programe din punct de vedere al consumului combinat de energie și apă. Încărcarea parțială reprezintă jumătate din încărcarea nominală.

²⁾ Pe baza programelor cu 220 de cicluri de spălare rufe din bumbac standard la 60°C și 40°C la încărcare maximă și parțială, și a consumului modurilor cu consum redus. Consumul real de energie va depinde de modul în care este utilizat aparatul.

³⁾ Pe baza programelor cu 220 de cicluri de spălare rufe din bumbac standard la 60°C și 40°C la capacitate maximă și parțială. Consumul real de apă va depinde de modul în care este utilizat aparatul.

⁴⁾ Pentru programul de spălare rufe standard la 60 °C la încărcare maximă și parțială sau la 40°C la încărcare parțială, oricare dintre acestea este mai scăzut.

⁵⁾ S-a obținut pentru programul de spălare rufe din bumbac standard la 60 °C la încărcare maximă și parțială sau la 40°C la încărcare parțială, oricare dintre acestea este mai ridicat.

⁶⁾ Pe baza fazelor de spălare și centrifugare pentru programul de spălare rufe din bumbac standard la 60 °C la încărcare maximă.

KZ

Қазақша

WMSD 723

Мазмұны

KZ

Орнату, 74-75

Қаптамадан алу және түзулеу
Ток пен суды қосу
Бірінші жуу циклы
Техникалық деректері

Кір жуғыш машина сипаттамасы, 76-77

Басқару тақтасы
Дисплей

Жуу циклын іске қосу, 78

Жуу циклдары мен функциялары, 79

Жуу циклдарының кестесі
Жуу функциялары

Жуғыш заттар мен кірлер, 80

Жуғыш зат тартпасы
Кірлерді дайындау
Арнайы жуу циклдары
Жүкті теңестіру жүйесі

Сақтандырулар мен кеңестер, 81

Жалпы қауіпсіздік
Қоқысқа тастау
Сақтау және тасымалдау шарттары

Күтім және пайдалану, 82

Су мен токты өшіру
Кір жуғыш машинаны тазалау
Жуғыш зат тартпасын тазалау
Құрылғының есігі мен барабанына күтім көрсету
Сорғыны тазалау
Судың кіріс түтігін тексеру

Ақаулықтарды жою, 83

Қызмет көрсету, 84

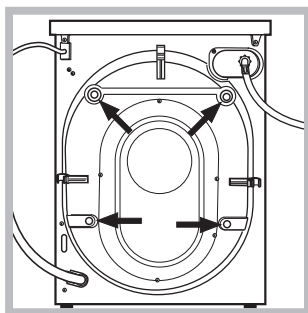
! Бұл нұсқаулықты кейін қарау үшін жоғалып қалмайтындай бір жерге сақтап қою керек. Кір жуғыш машина сатылса, тасымалданса немесе көшірілсе, нұсқаулық құрылғымен бірге болатынын қамтамасыз етіңіз, солайша жаңа иесі оның жұмысы мен мүмкіндіктерімен танысады.

! Осы нұсқаулықты мұқият оқып шығыңыз: оның ішінде құрылғыны қауіпсіз орнату және қолдану туралы маңызды ақпараттар қамтылған.

Қаптамадан алу және түзулеу

Қаптамадан алу

1. Кір жуғыш машинаны қаптамасынан алыңыз.
2. Тасымалдау барысында кір жуғыш машина зақымдалмағанын тексеріңіз. Ол зақымдалған болса, сатушыға хабарласыңыз және орнату үдерісін тоқтатыңыз.



3. Құрылғының артқы жағында орналасқан 4 қорғаныш бұрандасын (тасымалдау кезінде қолданылады) және тиісті төсемі бар резеңке тығырықты алып тастаңыз (суретті қараңыз).

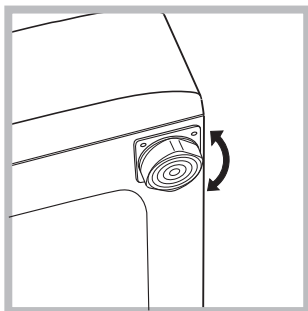
4. Тесіктерді бірге берілген пластикалық тығындармен жабыңыз.
5. Барлық бөлшектерді сақтап қойыңыз: кір жуғыш машинаны басқа жерге тасымалданатын болса, олар керек болады.

! Қаптама материалдарын балалардың ойыншығы ретінде қолдануға болмайды.

! Ораушы және жеке оның элементтері азықпен байланысу үшін арналмаған.

Түзулеу

1. Кір жуғыш машинаны қабырғаға, жиһазға, шкафқа немесе басқа кез келген затқа сүйемей, тегіс әрі қалыпты еденге орнатыңыз.

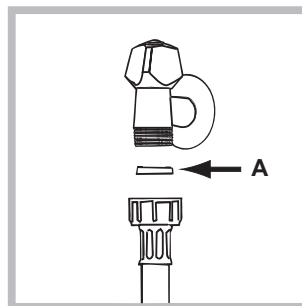


2. Еден түзу болмаса, алдыңғы аяқтарды қатайту немесе босату арқылы құрылғыны түзулеңіз (суретті қараңыз); құрылғының үстіңгі жағымен салыстырып өлшенген еңкею бұрышы 2°-тан аспауы керек.

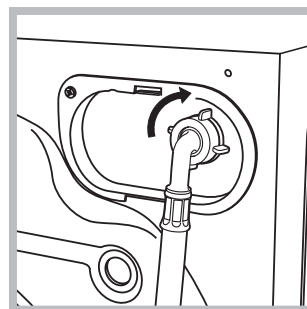
Құрылғы дұрыс түзулеу оған тұрақтылық береді, дірілдеу мен шамадан тыс шуылдың болмауына көмектеседі және жұмыс істеген кезде қозғалуына жол бермейді. Құрылғы кілемге немесе кілемшеге қойылса, аяқтарын оның астында вентиляция үшін жеткілікті орын болатындай реттеу керек.

Ток пен суды қосу

Судың кіріс түтігін жалғау



1. А фитингін кіріс түтігінің шетіне салып, түтікті суық су шүмегіне 3/4 газдық бұранда қосылымын пайдалана отырып бұрап жалғаңыз (суретті қараңыз). Жалғамас бұрын су тап-таза болғанша, оны ағызып алыңыз.



2. Кіріс түтігін кір жуғыш машинаның артқы жағының жоғарғы оң жағында орналасқан тиісті су кірісіне бұрап жалғаңыз (суретті қараңыз).

3. Түтік бүктелмегеніне немесе майыстырылмағанына көз жеткізіңіз.

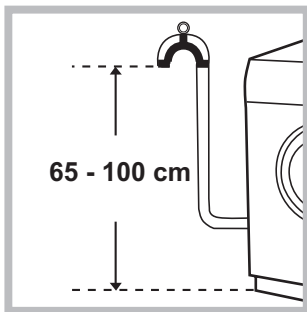
! Шүмектегі су қысымы Техникалық мәліметтер кестесінде көрсетілген мәндер аралығында болуы тиіс (келесі бетті қараңыз).

! Кіріс түтігінің ұзындығы жеткіліксіз болса, мамандырылған дүкенге немесе куәландырылған маманға хабарласыңыз.

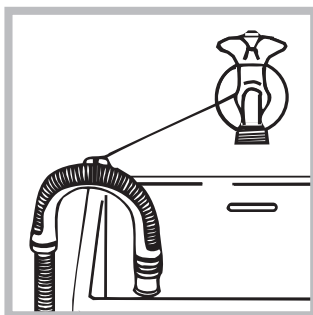
! Бұрын қолданылған түтіктерді пайдаланушы болмаңыз.

! Құрылғымен бірге берілген түтіктерді қолданыңыз.

Ағызу түтігін жалғау



Ағызу түтігін майыстырмай, еденнен 65-100 см жоғары орналасқан ағызу құбырына немесе қабырғадағы канализация құбырына жалғаңыз;



немесе, оны ваннаға салып, берілген түтікті шүмекке бекітіңіз (суретті қараңыз). Түтіктің шеті су астында болмауы тиіс.

!Түтікті ұзартуға қарсымыз; бірақ басқа амалы болмаса, ұзарту түтігінің диаметрі бастапқы түтіктің диаметрімен бірдей болуы және оның ұзындығы 150 см-ден аспауы керек.

Электр қосылымдары

Құрылғыны розеткаға қоспас бұрын, мына жағдайларға көз жеткізіңіз:

- розетка жерге тұйықталған және қолданыстағы заңды ережелерге сәйкес келеді;
- розетка Техникалық деректер кестесінде көрсетілген құрылғының ең жоғарғы қуатына төзімді (жанындағы ақпаратты қараңыз);
- қуат көзінің кернеуі Техникалық деректер кестесіндегі мәндер ауқымында (жанындағы ақпаратты қараңыз);
- розетка кір жуғыш машинаның айырына сәйкес келеді. Олай болмаса, розетканы немесе айырды ауыстырыңыз.

! Жабық жер болса да, кір жуғыш машинаны сыртта орнатпау қажет. Құрылғыны жаңбыр, боран және басқа да ауа-райы жағдайларында қалдыру аса қауіпті.

! Кір жуғыш машина орнатылғаннан кейін розеткаға оңай қол жеткізу мүмкін болуы тиіс.

! Бірнеше розеткалар мен ұзартқыш сымдарын пайдаланбаңыз.

! Сымды майыстыруға немесе оған қысым салуға болмайды.

! Ток сымын тек өкілетті мамандар ауыстыруы тиіс.

Ескерту! Осы ережелер сақталмаған жағдайда, компания жауапты болмайды.

Бірінші жуу циклы

Құрылғы орнатылғаннан кейін және оны алғаш рет пайдаланбас бұрын, "Өзін-өзі тазалау" жуу циклын қолдана отырып, жуғыш затпен кірлерді салмай-ақ, жуу циклын іске қосыңыз («Кір жуғыш машинаны тазалау»).

Техникалық деректері

Үлгі	WMSD 723
Өлшемдері	ені 59,5 см биіктігі 85 см тереңдігі 43,5 см
Сыйымдылығы	1 - 7 кг
Электр қосылымдары	құрылғыға бекітілген техникалық деректер тақтасын қараңыз
Су қосылымдары	ең жоғары қысым 1 МПа (10 бар) ең төмен қысым 0,05 МПа (0,5 бар) барабан сыйымдылығы 48 литр
Айналдыру жылдамдығы	1200 айналым/мин мәніне дейін
Қуатты есептеу бағдарламалары мына стандартқа сәйкес:	EN 60456
бағдарламасы	(60°) бағдарламасы (Түйменің үшінші басылуы);
стандартқа сәйкес:	7 кг жүкті қолдана отырып.

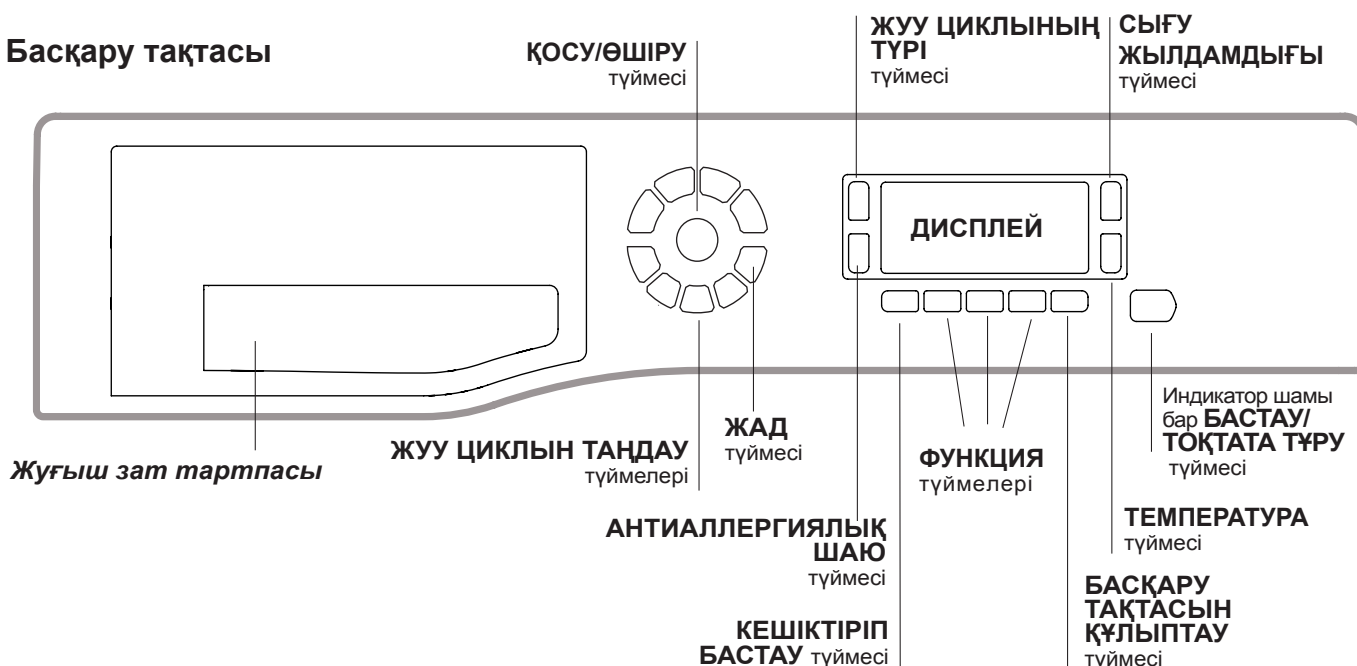


Бұл құрылғы төмендегі ЕО директиваларына сәйкес келеді:
- 2004/108/ЕС (Электр магниттік үйлесімділік)
- 2006/95/ЕС (Төмен кернеу)
- 2012/19/EU (WEEE)


Кір жуғыш машина сипаттамасы

KZ

Басқару тақтасы




Жуғыш зат тартпасы: жуғыш заттар мен жуғыш қосындыларды енгізу үшін пайдаланылады («*Жуғыш заттар мен кірлер*» тарауын қараңыз).


ҚОСУ/ӨШІРУ  түймесі: оны құрылғыны қосу немесе өшіру үшін аз уақыт басыңыз. БАСТАУ/ТОҚТАТА ТҰРУ индикатор шамы жасыл түспен баяу жыпылықтап тұрса, демек құрылғы қосылған. Жуу циклы барысында кір жуғыш машинаны өшіру үшін, түймені шамамен 3 секунд басып ұстап тұрыңыз; егер түйме аз уақыт немесе кездейсоқ басылса, құрылғы өшпейді. Құрылғы жуу циклы барысында өшірілсе, бұл жуу циклы доғарылады.

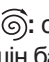
ЖУУ ЦИКЛЫН ТАҢДАУ түймелері: қажетті жуу циклын орнату үшін пайдаланылады (*Жуу циклдарының кестесін қараңыз*).

ЖАД түймесі: құрылғының жадына өзіңіз қалаған параметрлер жинағы бар циклды сақтау үшін түймені басып ұстап тұрыңыз. Бұрын сақталған циклды шақыру үшін ЖАД түймесін басыңыз.



ФУНКЦИЯ түймелері: қажетті функцияны таңдау үшін түймені басыңыз. Дисплейдегі тиісті индикатор шамы жанады.


ЖУУ ЦИКЛЫНЫҢ ТҮРІ түймесі : жуу циклының қажетті қарқындығын таңдау үшін басыңыз.

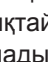
АНТИАЛЛЕРГИЯЛЫҚ ШАЮ түймесі : қажетті шаю түрін таңдау үшін басыңыз.

СЫҒУ түймесі : сығу циклын азайту немесе толығымен алып тастау үшін басыңыз – мәні дисплейде көрсетіледі.

ТЕМПЕРАТУРА түймесі : температураны азайту үшін басыңыз: мән дисплейде көрсетіледі.

БАСҚАРУ ТАҚТАСЫН ҚҰЛЫПТАУ түймесі : басқару тақтасының құлпын қосу үшін түймені шамамен 2 секунд басып ұстап тұрыңыз.  таңбасы жанғанда, басқару тақтасы құлыпталады. Яғни, жуу циклдарын кездейсоқ түрде өзгертуден қорғауға болады, әсіресе, үйде балалар болса. Басқару тақтасының құлпын өшіру үшін түймені шамамен 2 секунд басып ұстап тұрыңыз.

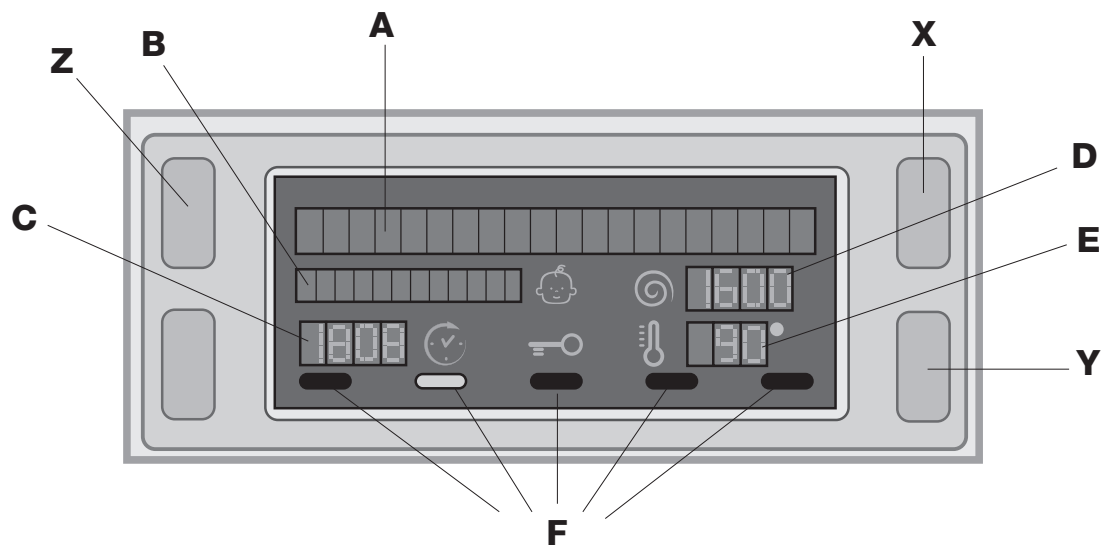
КЕШІКТІРІП БАСТАУ түймесі : таңдалған жуу циклы үшін кешіктіріп бастауды орнату үшін басыңыз. Кешіктіру уақыты дисплейде көрсетіледі.

Индикатор шамы бар **БАСТАУ/ТОҚТАТА ТҰРУ** түймесі: жасыл индикатор шамы баяу жыпылықтап тұрғанда, жуу циклын бастау үшін түймені басыңыз. Цикл басталғаннан кейін индикатор шамы бір қалыпта жанып тұрады. Жуу циклын тоқтата тұру үшін, түймені тағы бір рет басыңыз; индикатор шамы қызғылт сары түспен жыпылықтайды.  таңбасы жанса, демек есікті ашуға болады (шамамен 3 минут күтіңіз). Жуу циклын тоқтатылған жерінен бастау үшін түймені тағы бір рет басыңыз.

Күту режимі

Осы кір жуғыш машина, жаңа қуатты үнемдеу ережелеріне сәйкес, ешбір әрекет байқалмаса, шамамен 30 минуттан кейін қосылатын автоматты күту жүйесімен жабдықталған. ҚОСУ-ӨШІРУ түймесін аз уақыт басып, құрылғының іске қосылуын күтіңіз.

Дисплей



Дисплей құрылғыны бағдарламалаған кезде пайдалы және өте көп ақпарат береді.

Екі жоғарғы **A** және **B** жолдары таңдалған жуу циклы, жуу циклының кезеңі туралы мәліметті және жуу циклының орындалу барысына қатысты барлық ақпаратты береді.

C жолы орындалып жатқан жуу циклының соңына дейін қалған уақытты және, КЕШІКТІРІП БАСТАУ таңдалған болса, таңдалған жуу циклының басталуына дейін қалған уақытты көрсетеді.

D жолы ең көп сығу жылдамдығының мәнін көрсетеді (ол таңдалған жуу циклына байланысты болады); жуу циклына сығу циклы кірмесе, жол қолданылмайды.

E жолы таңдауға болатын ең көп температура мәнін көрсетеді (ол таңдалған жуу циклына байланысты болады); жуу циклының температурасын өзгерту мүмкін болмаса, жол қолданылмайды.

F индикатор шамдары функцияларға сәйкес келеді және орнатылған жуу циклымен сыйысымды функция таңдалған кезде олар жанады.

Есік құлыптаулы таңбасы

Таңба жанып тұрса, ол кір жуғыш машина есігінің кездейсоқ ашылуына жол бермеу үшін оның құлыпталғанын білдіреді. Кез келген зақымдалудың алдын алу үшін құрылғы есігін ашпас бұрын таңбаның өздігінен өшуін күтіңіз (шамамен 3 минут күтіңіз).

Ескертпе: КЕШІКТІРІП БАСТАУ функциясы іске қосылған болса, есікті ашу мүмкін болмайды; оны ашу керек болса, БАСТАУ/ТОҚТАТА ТҰРУ түймесін басы арқылы құрылғыны тоқтатып қойыңыз.

! Құрылғы алғаш рет қосылғанда, сізден тілді таңдау сұралады және тілді таңдау мәзірі автоматты түрде көрсетіледі.

Қажетті тілді таңдау үшін **X** және **Y** түймелерін басыңыз; таңдауды растау үшін **Z** түймесін басыңыз.



Тілді өзгерту үшін құрылғыны өшіріңіз де, дыбыс сигналы естілгенше **X**, **Y**, **Z** түймелерін бір уақытта басыңыз: тілді таңдау мәзірі қайтадан көрсетіледі.

Жуу циклын іске қосу


KZ

- ҚҰРЫЛҒЫНЫ ҚОСЫҢЫЗ.**  түймесін басыңыз; дисплейде «WELCOME» мәтіні пайда болады және БАСТАУ/ТОҚТАТА ТҰРУ индикатор шамы жасыл түспен баяу жыпылықтайды.
- КІРЛЕРДІ САЛЫҢЫЗ.** Есікті ашыңыз. Келесі беттегі бағдарламалардың кестесінде көрсетілген ең көп жүк мәнінен асып кетпеуге назар аударып, кірлерді салыңыз.
- ЖУҒЫШ ЗАТТЫ ӨЛШЕҢІЗ.** Жуғыш зат тартпасын ашып, «Жуғыш заттар мен кірлер» тарауында айтылғанмен сәйкес жуғыш затты тиісті бөлікке салыңыз.
- ЕСІКТІ ЖАБЫҢЫЗ.**
- ЖУУ ЦИКЛЫН ТАҢДАҢЫЗ.** Қажетті жуу циклын таңдау үшін ЖУУ ЦИКЛЫН ТАҢДАУ түймелерінің бірін басыңыз; жуу циклының атауы дисплейде көрсетіледі. Өрбір жуу циклы үшін температура мен сығу жылдамдығы орнатылған; оларды реттеуге болады. Дисплейде циклдың мерзімі көрсетіледі.
- ЖУУ ЦИКЛЫН ӨЗГЕРТІҢІЗ.** Тиісті түймелерді қолданыңыз:

  **Температура және/немесе сығу жылдамдығын өзгерту.** Құрылғы таңдалған жуу циклы үшін орнатылған ең жоғары температура мен сығу жылдамдығын автоматты түрде таңдайды; сондықтан, бұл мәндерді арттыру мүмкін емес.  түймесін басу арқылы температураны суық сумен жуу циклының «OFF» параметріне жеткенше төмендетуге болады.  түймесін басу арқылы сығу жылдамдығын толығымен өшірілгенше, біртіндеп төмендетуге болады («OFF» параметрі). Бұл түймелер тағыда басылса, ең жоғарғы мәндер қалпына келеді.
! Қиыс жағдай:  (60°) (Түйменің бірінші басылуы) бағдарламасы таңдалса, температураны 90°С-қа дейін көтеруге болады.

 **Кешіктіріп бастауды орнату.** Таңдалған бағдарлама үшін кешіктіріп бастауды орнату үшін, қажетті кешіктіру мерзіміне дейін жеткенше тиісті түймені қайта-қайта басыңыз. Бұл опция қосылғанда, дисплейде  таңбасы жанады. Кешіктіріп бастау функциясын алып тастау үшін дисплейде «ӨШІРУЛІ» мәтіні көрсетілгенше түймені басыңыз.

Жуу циклының қажетті қарқындығын орнату.  түймесі маталардың ластану дәрежесі мен жуу циклының қажетті қарқындығына қарай жууды оңтайландыруға мүмкіндік береді. Жуу бағдарламасын таңдаңыз: цикл автоматты түрде «Normal» (Қалыпты) тәртібіне қойылады, себебі ол ластану дәрежесі орташа киімдерге оңтайландырылған (бұл параметр «Жүн» циклы үшін қолданылмайды, ол автоматты түрде «Delicate» (Нәзік) тәртібіне қойылады). Қатты ластанған киімдер үшін  түймесін «Super Wash» (Қарқынды) тәртібі шыққанша басыңыз. Циклдың бастапқы кезеңінде судың көп мөлшері қолданылатындықтан және барабан тез айналатындықтан бұл дәреже өнімділігі жоғары жууды қамтамасыз етеді. Ол қиын кетірілетін дақтарды тазарту үшін қолайлы. Оны ағартқышпен немесе ағартқышсыз пайдалануға болады. Ағартқышты қолданғыңыз келсе, 1-бөлікке қосымша құрылғымен бірге берілетін 4-бөлікті салыңыз. Ағартқышты құйған кезде ортаңғы өзекте белгіленген «max» деңгейінен асып кетпеуге назар аударыңыз (80-беттегі кестені қараңыз).

Аз ластанған киімдер үшін немесе маталарды нәзік түрде өңдеу қажет болса,  түймесін «Delicate» (Нәзік) дәрежесіне жеткенше басыңыз. Нәзік киімдер үшін керемет нәтижеге қол жеткізуді қамтамасыз ету үшін циклда барабан баяу айналады.





Шаю түрін орнату.

 опциясы сезімтал теріні қорғау үшін қажетті шаю түрін таңдауға мүмкіндік береді. «Extra Rinse» (Қосымша шаю) дәрежесін таңдау үшін түймені бір рет басыңыз, ол стандартты циклдың шаюына қоса қосымша шаюды таңдауға және жуғыш заттың барлық қалдықтарын жоюға мүмкіндік береді. «Sensitive Skin» (Сезімтал тері) дәрежесін орнату үшін түймені тағы бір рет басыңыз, ол стандартты циклдың шаюына қоса қосымша екі шаюды таңдауға мүмкіндік береді; ол өте сезімтал теріге қолданылуға ұсынылады. «Anti allergy Rinse» (Антиаллергиялық) дәрежесін орнату үшін түймені үшінші мәрте басыңыз, ол стандартты циклдың шаюына қоса қосымша үш шаюды таңдауға және тозаң, кенелер немесе мысық пен ит жүні сияқты негізгі аллергияларды жоюға мүмкіндік береді. «Normal Rinse» (Қалыпты) шаю түріне оралу үшін түймені тағы бір рет басыңыз. Ағымдағы параметрді орнату немесе өзгерту мүмкін болмаса, дисплейде «Not allowed» (Рұқсат жоқ) мәтіні көрсетіледі.

Цикл параметрлерін өзгерту.

- Функцияны қосу үшін түймені басыңыз; түймеге сәйкес келетін индикатор шамы жанады.
- Функцияны өшіру үшін түймені тағы бір рет басыңыз; индикатор шамы сөнеді.

! Таңдалған функция бағдарламаланған жуу циклымен үйлесімді болмаса, индикатор шамы жыпылықтайды және функция қосылмайды.
! Таңдалған функция оған дейін таңдалған функциялардың біреуімен үйлесімді болмаса, таңдалған бірінші функцияға тиісті индикатор шамы жыпылықтайды және екінші функция қосылмайды; қосылған функцияға сәйкес келетін индикатор шамы жанып тұрады.
! Функциялар ұсынылатын жүк мәніне және/немесе циклдың мерзіміне әсер етуі мүмкін.

- БАҒДАРЛАМАНЫ БАСТАУ.** БАСТАУ/ТОҚТАТА ТҰРУ түймесін басыңыз. Тиісті индикатор шамы жасыл түспен қалыпты түрде жанып тұрады және есік құлыпталады (ЕСІК ҚҰЛЫПТАУЛЫ  таңбасы жанады). Жуу циклының барысында, орындалып жатқан кезең аты дисплейде көрсетіледі. Орындалып жатқан жуу циклын өзгерту үшін БАСТАУ/ТОҚТАТА ТҰРУ түймесінің көмегімен кір жуғыш машинаны тоқтатып қойыңыз (БАСТАУ/ТОҚТАТА ТҰРУ индикатор шамы қызғылт сары түспен баяу жыпылықтайды); одан кейін қажетті циклды таңдап, БАСТАУ/ТОҚТАТА ТҰРУ түймесін тағы бір рет басыңыз. Цикл орындалып жатқан кезде есікті ашу үшін БАСТАУ/ТОҚТАТА ТҰРУ түймесін басыңыз; ЕСІК ҚҰЛЫПТАУЛЫ  таңбасы өшсе, есікті ашуға болады (шамамен 3 минут күтіңіз). Жуу циклын тоқтатылған жерінен қайта бастау үшін БАСТАУ/ТОҚТАТА ТҰРУ түймесін тағы бір рет басыңыз.
- ЖУУ ЦИКЛЫНЫҢ СОҢЫ.** Мұны дисплейдегі «END OF CYCLE» мәтіні білдіреді; ЕСІК ҚҰЛЫПТАУЛЫ  таңбасы өшкенде есікті ашуға болады (шамамен 3 минут күтіңіз). Есікті ашып, кірлерді алыңыз да, құрылғыны өшіріңіз.
! Басталып қойған циклды доғару қажет болса,  түймесін басып ұстап тұрыңыз. Цикл тоқтатылады және құрылғы өшеді.

Жуу циклдары мен функциялары

Hotpoint

ARISTON

Жуу циклдарының кестесі

Программалар	Программалардың сипаттамасы	Температура (°C)	Макс. жылд. (айн/мин)	Кір жуғыш құралдар				Макс. жүктеу (кг)	Циклдің ұзақтығы
				Алдын ала жуу	Жуу	Ағартқыш	Шайғыш		
	Даққа қарсы	40°	1200	●	●	-	●	4	
	Мақта (Түйменің бірінші басылуы): қатты ластанған ақ заттар мен төзімді түрлі түсті кірлер.	60° (Max. 90°)	1200	●	●	●	●	7	
	Мақта (Түйменің екінші басылуы): қатты ластанған ақ заттар мен нәзік түрлі түсті кірлер.	20°	1200	-	●	●	●	7	
	Есо Мақта 60° (Түйменің үшінші басылуы) (1): қатты ластанған ақ заттар мен төзімді түрлі түсті кірлер.	60°	1200	-	●	-	●	7	
	Есо Мақта 40° (Түйменің үшінші басылуы) (2): қатты ластанған ақ заттар мен нәзік түрлі түсті кірлер.	40°	1200	-	●	-	●	7	
	Синтетика (Түйменің бірінші басылуы): қатты ластанған төзімді түрлі түсті кірлер.	60°	1000	●	●	●	●	3,5	
	Синтетика (Түйменің екінші басылуы): аз ластанған төзімді түрлі түсті кірлер.	40°	1000	●	●	●	●	3,5	
	Аралас 60° (Түйменің бірінші басылуы): аз ластанған киімдерді жылдам жуып алу үшін (жүннен немесе жібектен жасалған және қолмен жууды қажет ететін киімдер үшін жарамайды).	60°	1200	-	●	-	●	3,5	
	Аралас 30° (Түйменің екінші басылуы): аз ластанған киімдерді жылдам жуып алу үшін (жүннен немесе жібектен жасалған және қолмен жууды қажет ететін киімдер үшін жарамайды).	30°	800	-	●	-	●	3	
M	Жад: кез келген жуу циклын сақтауға мүмкіндік береді.								
	Төсек орын бұйымдары мен орамалдар	60°	1200	●	●	-	●	7	
	Жүн: жүн, кашемир және т.б. үшін	40°	800	-	●	-	●	1,5	
	Нәзік киімдер	30°	0	-	●	-	●	1	
	Жылдам сығу (Түйменің бірінші басылуы)	-	1200	-	-	-	-	7	
	Шаю (Түйменің екінші басылуы)	-	1200	-	-	-	●	7	
	Тартып шығару (Түйменің үшінші басылуы)	-	0	-	-	-	-	7	

Дисплейде немесе осы кітапшада көрсетілген циклдың мерзімі тек шамамен берілген және ол стандартты жұмыс жағдайларына сәйкес есептеледі. Нақты мерзім су температурасы мен қысымы, қолданылған жуғыш зат мөлшері, салынған кірлердің мөлшері мен түрі, жүктің теңестірілуі және таңдалған кез келген опциялар сияқты ықпалдарға байланысты болады.

Барлық сынақ мекемелері үшін:

1) Жуу циклын EN 60456 стандартына сәйкес тексеріңіз: 60°C (Түйменің үшінші басылуы).

2) Мақтадан жасалған заттарға арналған ұзақ жуу циклы: 60°C (Түйменің үшінші басылуы); 40°C температурасы (ТЕМПЕРАТУРА түймесін басыңыз).

Жуу функциялары

- Таңдалған функция бағдарламаланған жуу циклымен үйлесімді болмаса, индикатор шамы жыпылықтайды және функция қосылмайды.
- Таңдалған функция оған дейін таңдалған функциялардың біреуімен үйлесімді болмаса, таңдалған бірінші функцияға тиісті индикатор шамы жыпылықтайды және екінші функция қосылады; қосылған функцияға сәйкес келетін индикатор шамы жанып тұрады.

Алдын-ала жуу

Бұл функция таңдалса, алдын ала жуу циклы іске қосылады; ол кетпей қоятын дақтарды кетіру үшін пайдалы.

Ескертпе: Жуғыш затты тиісті бөлікке салыңыз.

Оңай үтіктеу

Бұл функцияны таңдау арқылы жуу және сығу циклдары тыртыстардың пайда болуын азайтатындай өзгертіледі. Циклдың аяғында кір жуғыш машинаның барабаны баяу айналады; ОҢАЙ ҮТІКТЕУ және БАСТАУ/ТОҚТАТА ТҰРУ индикатор шамдары жыпылықтайды (қызғылт сары) және дисплейде «ЦИКЛ СОҢЫ» мәтіні

көрсетіледі. Циклды аяқтау үшін БАСТАУ/ТОҚТАТА ТҰРУ түймесін немесе «ОҢАЙ ҮТІКТЕУ» түймесін басыңыз.

Eco wash

Қуатты үнемдеу функциясы кір жууға арналған суды қыздырмау арқылы қуатты үнемдейді – яғни, қоршаған ортаға және шығындарыңызды азайтуға көмектеседі. Оның орнына, қарқынды жуу әрекеті мен суды оңтайлы қолдану арқылы стандартты циклдың орташа уақытымен бірдей уақытта керемет жуу нәтижесіне қол жеткізіледі.

Ең жақсы жуу нәтижесіне қол жеткізу үшін сұйық жуғыш затты пайдаланған абзал.

KZ

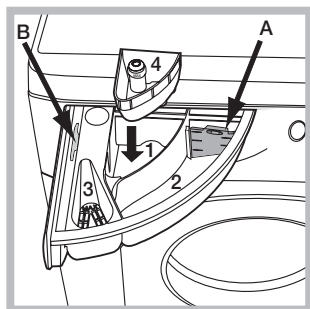
Жуғыш заттар мен кірлер

KZ

Жуғыш зат тартпасы

Жақсы жуу нәтижесіне қол жеткізу жуғыш заттың дұрыс мөлшеріне де байланысты болады: тым көп жуғыш зат қосылса, жуу міндетті түрде тиімдірек болмайды және шынында құрылғы ішінде қалдықтардың түзілуіне және қоршаған ортаны ластауға әкелуі мүмкін.

! Қолмен жууға арналған жуғыш заттарды қолданбаңыз, себебі олар тым көп көбік түзеді.



Жуғыш зат тартпасын ашып, жуғыш затты немесе жуғыш қосындыны төмендегідей салыңыз.

1-бөлік: Алдын-ала жууға арналған жуғыш зат (ұнтақ)

Жуғыш затты салмас бұрын, қосымша 4-бөлік алынғанына көз жеткізіңіз.

2-бөлік: Жуғыш зат (ұнтақ немесе сұйық)

Сұйық жуғыш зат пайдаланылса, дұрыс мөлшерлеу үшін ауыстырмалы пластикалық **A** өлшеу бөлігін қолданған жөн.

Ұнтақ жуғыш зат пайдаланылса, бөлікті **B** ұясына қойыңыз.

3-бөлік: Қосындылар (кондиционерлер және т.б.)

Кондиционер белгіден асып кетпеуі керек.

Қосымша 4-бөлік: Ағартқыш


Кірлерді дайындау


- Кірлерді мына жағдайларға байланысты бөліңіз:
 - мата түрі/жапсырмадағы таңба
 - түстер: түрлі-түсті киімдерді ақ киімдерден бөліңіз.
- Қалталарды босатып, түймелерді тексеріңіз.
- «Жуу циклдарының кестесі» атты кестедегі мәндерден асырып жібермеңіз, онда кірлердің құрғақ кездегі салмағы берілген.

Кірлердің салмағы қандай?

- 1 ақжайма 400-500 г
- 1 жастыққап 150-200 г
- 1 асжаулық 400-500 г
- 1 монша халаты 900-1200 г
- 1 орамал 150-250 г

Арнайы жуу циклдары


Даққа қарсы: Бұл бағдарлама  төзімді түстері бар қатты ластанған киімдер үшін қолайлы. Ол стандартты сыныптан жоғары жуу сыныбын қамтамасыз етеді (A сыныбы). Бағдарламаны іске қосқан кезде түстері әртүрлі киімдерді араластырмаңыз. Ұнтақ жуғыш затты қолданған абзал. Кетпей қоятын дақтар бар болса арнайы қосымша заттармен алдын ала өңдеген жөн.



Төсек орын бұйымдары мен орамалдар: Төсек орын бұйымдары мен орамалдарды бір циклда жуу үшін  бағдарламасын қолданыңыз: ол кондиционердің тиімділігін оңтайландырады және уақыт пен қуатты үнемдеуге көмектеседі. Ұнтақ жуғыш затты қолданған абзал.

Жүн - Woolmark Apparel Care - Green:

Осы құрылғының «Жүн» жуу циклы киім жапсырмасындағы нұсқауларды және осы кір жуғыш машина өндірушісінің нұсқауларын орындау шартымен, The Woolmark Company тарапынан «қолмен жуу» деп белгіленген жүн киімдерін жууға расталған. (M1253)



Нәзік киімдер: Асыл тас немесе жарқылдақтар тігілген өте нәзік киімдерді жуу үшін  бағдарламасын қолданыңыз.

Жібек киімдерді және перделерді жуу үшін циклды таңдап, “Delicate” (Нәзік) тәртібіндегі  қосымша қызметін іске қосыңыз .

Жуудан бұрын киімдердің ішін сыртқа қарату және кіші заттарды арнайы нәзік киімдерді жууға арналған сөмкеге салу жөн. Ең жақсы нәтижеге қол жеткізу үшін сұйық жуғыш затты пайдаланыңыз.

Жүкті теңестіру жүйесі

Әрбір сығу циклынан бұрын, шамадан тыс дірілдеудің алдын алу және жүкті біркелкі түрде тарату үшін, барабан жуу кезіндегі айналу жылдамдығын сәл көбірек жылдамдықпен айналып тұрады. Егер бірнеше әрекеттен кейін жүк дұрыс теңестірілмесе, құрылғы төмендетілген сығу жылдамдығында айналдырады. Егер жүк тым теңестірілмеген болса, құрылғы сығу орнына тарату үдерісін орындайды. Жүктің таралуы мен теңестірілуін жақсарту үшін кіші және үлкен киімдерді аралас салуды ұсынамыз.

! Бұл кір жуғыш машина халықаралық қауіпсіздік ережелеріне сай өңделіп шығарылған. Төмендегі ақпарат қауіпсіздік ережелерін ескерту мақсатында берілген және оны мұқият оқып шығу қажет.

Жалпы қауіпсіздік

- Бұл құрылғы қауіпсіздіктеріне жауапты адам құрылғыны қолдану бойынша кеңес не нұсқау бермеген жағдайда, дене, сезіну немесе ой қабілеті төмен немесе тәжірибесі мен білімі жеткіліксіз адамдармен (оның ішінде балалармен) қолданылуға арналмаған. Балалар құрылғымен ойнамауы үшін оларды бақылау керек.
- Бұл құрылғы тек үйде пайдаланылуға арналған.
- Құрылғыны жалаң аяқ немесе қолыңыз немесе аяғыңыз ылғал болғанда ұстамаңыз.
- Құрылғыны розеткадан ағытқан кезде ток кабелінен ұстап тартпаңыз. Айырды ұстап тартыңыз.
- Құрылғы жұмыс істеп тұрған кезде жуғыш зат тартпасын ашпаңыз.
- Ағызылған суға тимеңіз, себебі оның температурасы өте жоғары болуы мүмкін.
- Есікті күштеп тартпаңыз. Әйтпесе, кездейсоқ ашудан қорғауға арналған қауіпсіздік құлпы механизмі зақымдалуы мүмкін.
- Құрылғы бұзылып қалса, ешбір жағдайда өз бетіңізбен жөндеу мақсатында ішкі бөліктерге тиюші болмаңыз.
- Өрқашанда балаларды құрылғыдан алыс ұстаңыз.
- Жуу циклы барысында есік қатты қызып кетуі мүмкін.
- Құрылғыны жылжыту керек болса, екі немесе үш адамнан тұратын топпен жұмыс істеңіз және де өте абай болыңыз. Мұны жалғыз өзіңіз орындаушы болмаңыз, себебі құрылғы өте ауыр.
- Кірлерді кір жуғыш машинаға салмас бұрын, барабан бос екеніне көз жеткізіңіз.

Қоқысқа тастау

- Орама материалдарын қоқысқа тастау: ораманың қайта пайдаланылуы мүмкін болатындай жергілікті ережелерді орындаңыз.
- Электр және электроникалық құралдардың қалдықтарына қатысты 2012/19/EU Еуропа заңнамасына сәйкес үй құрылғылары қалыпты сортталмаған қалалық қалдық ағымымен бірге жойылмауы тиіс. заңнамасына сәйкес үй құрылғылары қалыпты сортталмаған қалалық қалдық ағымымен бірге жойылмауы тиіс. Қоршаған орта мен адам денсаулығына тиетін зиянның алдын ала отырып, ескі құрылғылар қайта пайдалануды және қайта өңдеуді оңтайландыру мақсатында бөлек жиналуы керек. Өнімдегі сызылған «доңғалақты қоқыс жәшік» сізге құрылғыны тастаған уақытта бөлек жиналуы туралы есіңізге салады. Ескі құрылғыларды дұрыс тастау жөнінде ақпарат алу үшін пайдаланушылар жергілікті өкілдеріне немесе сатушыларына хабарласулары керек.

Сақтау және тасымалдау шарттары

- Буып түйілген кір жуғыш машина табиғи түрде желдетілетін, ылғалдығы 80 %-дан аспайтын жабық жайда сақталуы тиіс. Кір жуғыш машина ұзақ уақыт бойы қолданылмайтын болса және жылытылатын жайда сақталса, ішіндегі суды толығымен ағызу керек. Тасымалдамас бұрын кір жуғыш машинаның барабанына зақым келмеуі үшін, тасымалдау бұрандаларын машинадағы төлкелерге бекіту керек. Кір жуғыш машина бір орынға мықтап бекітіліп, кез келген жабық көлікпен тік қалыпта (жұмыс істеген кездегі қалпы) тасымалдануы тиіс. Тиеген және түсірген кезде кір жуғыш машинаға механикалық соққы тигізуге ТЫЙЫМ САЛЫНАДЫ.

Күтім көрсету және техникалық қызмет көрсету

KZ

Су мен токты өшіру

- Әрбір жуу циклынан кейін су шүмегін жауып отырыңыз. Бұл кір жуғыш машинаның ішіндегі гидравликалық жүйенің тозуын шектейді және су ағып кетудің алдын алуға көмектеседі.
- Кір жуғыш машинаны тазалаған кезде және техникалық қызмет көрсету жұмыстарын орындаған кезде оны токтан ажыратыңыз.

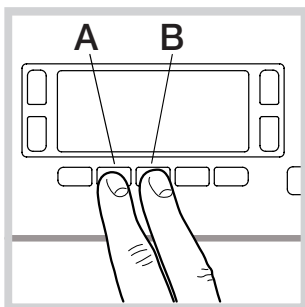
Кір жуғыш машинаны тазалау

- Құрылғының сыртқы жақтары мен резеңкеден жасалған құрамдас бөліктерін жылы сабынды сумен суланған жұмсақ шүберекпен тазалауға болады. Еріткіштерді немесе абразивті заттарды қолданбаңыз.
- Кір жуғыш машинада ішкі бөлшектеріне арналған «Өзін-өзі тазалау» бағдарламасы бар, оны **барабанға ешбір зат салмай** іске қосу керек.

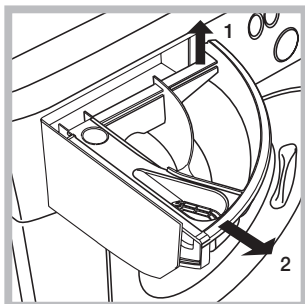
Бұл циклды оңтайландыру үшін кір жуғыш машинаны тазалау мақсатында жуғыш затты (қатты ластанған киімдер үшін берілген мөлшердің 10%) немесе арнайы қосымша заттарды пайдалануға болады. Тазалау бағдарламасын әр 40 жуу циклында бір рет іске қосқан абзал.

Бағдарламаны бастау үшін **A** және **B** түймелерін бір уақытта басып 5 секунд ұстап тұрыңыз (Кестені қараңыз).

Бағдарлама автоматты түрде қосылады және шамамен 70 минут орындалады. Циклды тоқтату үшін **БАСТАУ/ТОҚТАТА ТҰРУ** түймесін басыңыз.



Жуғыш зат тартпасын тазалау



Диспенсерді көтеріп, тарту арқылы шығарып алыңыз (*суретті қараңыз*).

Оны су ағыны астында жуыңыз; бұл әрекетті жиі қайталап тұру керек.

Құрылғының есігі мен барабанына күтім көрсету

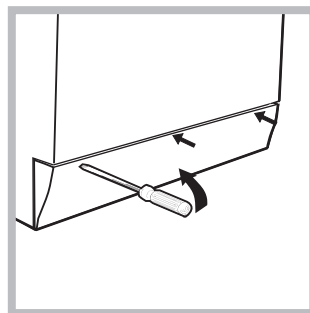
- Жағымсыз иістер пайда болмауы үшін есікті әрқашан сәл ашып қою керек.

Сорғыны тазалау

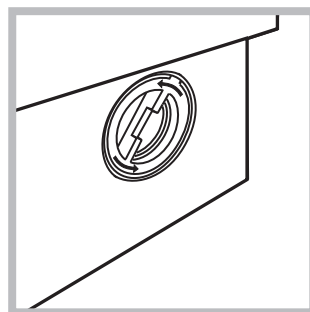
Кір жуғыш машина ешбір техникалық қызмет көрсетуді қажет етпейтін, өзін-өзі тазалайтын сорғымен жабдықталған. Кейде кіші заттар (тиындар немесе түймелер сияқты) сорғының төменгі жағындағы, оны қорғайтын алдыңғы камераға түсіп кетуі мүмкін.

! Жуу циклы аяқталғанына көз жеткізіңіз де, құрылғыны розеткадан ағытыңыз.

Алдыңғы камераға қол жеткізу үшін:



1. бұрағыштың көмегімен, кір жуғыш машинаның алдыңғы төмен бөлігіндегі қақпақ панелін алып тастаңыз (*суретті қараңыз*);



2. қақпақты сағат тіліне қарсы бағытта бұру арқылы бұрап шығарып алыңыз (*суретті қараңыз*); кішкене су ағып кетуі мүмкін. Бұл қалыпты жағдай;

3. ішін жақсылап тазалаңыз;
4. қақпақты орнына бұраңыз;
5. құрылғыға итеріп салмас бұрын, ілмектері орнына мықтап отырғанына көз жеткізіп, панельді орнына қойыңыз.

Судың кіріс түтігін тексеру

Кіріс түтігін кем дегенде жылына бір рет тексеріңіз. Шатынаған болса, оны дереу ауыстыру керек: жуу циклдарының барысында су қысымы өте жоғары болады және шатынаған түтік жарылып кетуі әбден мүмкін.

! Бұрын қолданылған түтіктерді пайдаланушы болмаңыз.

Кір жуғыш машина жұмыс істемей қалуы мүмкін. Техникалық көмек көрсету орталығына хабарласпас бұрын («Көмек» тарауын қараңыз), төмендегі тізімді қолдана отырып ақаулықты оңай шешу мүмкін емес екендігіне көз жеткізіңіз.

Ақаулық:

Ықтимал себептері / шешімдері:

Кір жуғыш машина қосылмайды.

- Құрылғы розеткаға толығымен қосылмаған немесе түйіспейді.
- Үйде ток жоқ.

Жуу циклы басталмайды.

- Кір жуғыш машина есігі дұрыс жабылмаған.
- ҚОСУ/ӨШІРУ түймесі басылмаған.
- БАСТАУ/ТОҚТАТА ТҰРУ түймесі басылмаған.
- Су шүмегі ашылмаған.
- Кешіктіріп бастау орнатылған («Жуу циклын іске қосу» тарауын қараңыз).

Кір жуғыш машина суды алмайды (дисплейде «NO WATER, CHECK SUPPLY» (СУ ЖОҚ, СУ ЖЕТКІЗУ ТҮТІГІН ТЕКСЕРІҢІЗ) мәтіні көрсетіледі).

- Судың кіріс түтігі шүмекке қосылмаған.
- Түтік майыстырылған.
- Су шүмегі ашылмаған.
- Үйде су жоқ.
- Қысым тым төмен.
- БАСТАУ/ТОҚТАТА ТҰРУ түймесі басылмаған.

Кір жуғыш машина сумен толып, оны ағызып тұра береді.

- Ағызу түтігі еденнен 65-100 см биіктікте орналастырылмаған («Орнату» тарауын қараңыз).
- Түтіктің бос шеті су астында («Орнату» тарауын қараңыз).
- Қабырғадағы канализация жүйесі сапун құбырымен жабдықталмаған. Осы тексерулерден кейін де проблема шешілмесе, су шүмегін жауып, құрылғыны өшіріңіз де, Көмек беру қызметіне хабарласыңыз. Егер ғимараттың жоғарғы қабаттарының бірінде тұратын болсаңыз, суды ағызуға байланысты проблемалар болуы мүмкін, оның нәтижесінде кір жуғыш машина сумен толып, оны ағызып тұра беруі мүмкін. Дүкендерде арнайы ағызуға қарсы клапандар бар, олар бұл проблеманы шешуге көмектеседі.

Кір жуғыш машина суды ағызбайды не сықпайды.

- Жуу циклында ағызу жоқ: Кейбір жуу циклдары ағызу кезеңінің қолмен басталуын қажет етеді («Жуу циклдары мен опциялары» тарауын қараңыз).
- ОҢАЙ ҮТІКТЕУ функциясы қосылған: Жуу циклын аяқтау үшін БАСТАУ/ТОҚТАТА ТҰРУ түймесін басыңыз («Жуу циклдары мен функциялары» тарауын қараңыз).
- Ағызу түтігі майысқан («Орнату» тарауын қараңыз).
- Ағызу түтігі бітелген.

Кір жуғыш машина сығу циклы барысында көп дірілдейді.

- Орнату кезінде барабанның бұғаты дұрыс алынбаған («Орнату» тарауын қараңыз).
- Кір жуғыш машина тұзу емес («Орнату» тарауын қараңыз).
- Кір жуғыш машина шкафтар мен қабырғалар арасына қойылған («Орнату» тарауын қараңыз).

Кір жуғыш машинадан су ағады.

- Судың кіріс түтігі дұрыс бұралып мықталмаған («Орнату» тарауын қараңыз).
- Жуғыш зат тартпасы бітелген (оны тазалау туралы нұсқауларды «Күтім көрсету және техникалық қызмет көрсету» тарауынан қараңыз).
- Ағызу түтігі дұрыс бекітілмеген («Орнату» тарауын қараңыз).

Кір жуғыш машина құлыпталады және дисплей жыпылықтап, қате кодын көрсетеді (мысалы, F-01, F-..).

- Құрылғыны өшіріп, оны токтан ағытыңыз, одан кейін шамамен 1 минут күтіңіз де, оны қайтадан қосыңыз. Проблема шешілмесе, Техникалық көмек көрсету қызметіне хабарласыңыз.

Тым көп көбік болады.

- Жуғыш зат кір жуғыш машинаға қолайлы емес (онда «кір жуғыш машиналарға арналған», «қолмен жууға және кір жуғыш машинаға арналған» немесе осыған ұқсас жазу болуы керек).
- Тым көп жуғыш зат қолданылған.

KZ

Техникалық қолдау орталығына хабарласпас бұрын:

- Ақаулықты өзіңіз шеше алатыныңызды тексеріңіз («Ақаулықтарды жою» тарауын қараңыз);
- Ақаулық шешілгенін тексеру үшін бағдарламаны қайтадан бастаңыз;
- Олай болмаса, кепілдік куәлігінде берілген телефон нөмірі бойынша өкілетті Техникалық көмек беру орталығына хабарласыңыз.

! Тек уәкілетті мамандардан көмек сұраңыз.

Келесі мәліметтерді оңай жерде ұстаңыз:

- ақаулықтың түрі;
- құрылғының моделі (Мод.);
- сериялық нөмірі (С/Н).

Бұл ақпаратты кір жуғыш машинаның артқы жағына бекітілген және есікті ашу арқылы құрылғының алдынан көруге болатын техникалық деректер тақтасынан табуға болады.