

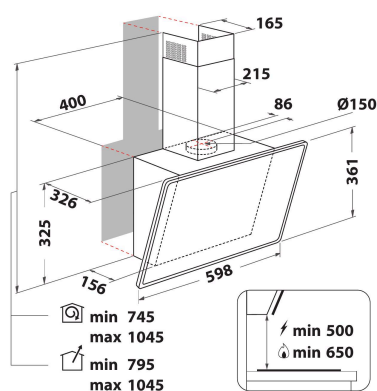
AKR 62F LT K

12NC: 859991629320

GTIN (EAN) code: 8003437621406

Whirlpool

SENSING THE DIFFERENCE



MAIN FEATURES

Product group	абсорбатори
Colour body	Черен
Material body	Glass
Colour chimney	Черен
Material chimney	Metal
Typology	Manual
Installation type	Свободностоящи
Type of control	Electronic
Type of control settings	-
Decor panel options	N/A
Motor location	Integrated motor in hood body
Operating Mode	Convertible
Electrical connection rating (W)	233
Current (A)	1,2
Voltage (V)	220-240
Frequency (Hz)	50
Length of Electrical Supply Cord (cm)	150
Plug type	Schuko
Chimney height (mm)	370-700
Height of product, without chimney (mm)	325
Height of the product	360
Width of the product	598
Depth of the product	326
Minimum niche height	0
Minimum niche width	0
Niche depth	0
Net weight (kg)	14

TECHNICAL FEATURES

Type of manual control devices	Touch control
Type of automatic control devices	-
Number of motors	1
Total power of the motors (W)	230
Number of speed settings: boost option availability	4
Boost presence	Yes
Maximum output air extraction (m ³ /h)	495
Boost position air extraction (m ³ /h)	650
Maximum output recirculating air (m ³ /h)	470
Boost position output recirculating (m ³ /h)	580
Light Control Type	On/Off
Number of lights	2
Type of lamps used	LED
Total power of the lamps (W)	3
Diameter of air outlet (mm)	150
No-return airflow flap	Yes
Grease filter material	Washable aluminium
Odour filter	Yes

ENERGY LABEL

Sound power at min. speed (2010/30/EU)	52
Sound power at max. speed (2010/30/EU)	65
Noise level with boost position (dB(A) re 1 pW)	0