

SAFETY INSTRUCTIONS

Download the complete instruction manual on <http://docs.whirlpool.eu> or call the phone number shown on the warranty booklet.

Before using the appliance, read these safety instructions. Keep them nearby for future reference.

These instructions and the appliance itself provide important safety warnings, to be observed at all times. The manufacturer declines any liability for failure to observe these safety instructions, for inappropriate use of the appliance or incorrect setting of controls.

⚠ WARNING: If the hob surface is cracked, do not use the appliance - risk of electric shock.

⚠ WARNING: Danger of fire: Do not store items on the cooking surfaces.

⚠ CAUTION: The cooking process has to be supervised. A short cooking process has to be supervised continuously.

⚠ WARNING: Unattended cooking on a hob with fat or oil can be dangerous - risk of fire. NEVER try to extinguish a fire with water: instead, switch off the appliance and then cover flame e.g. with a lid or a fire blanket.

⚠ Do not use the hob as a work surface or support. Keep clothes or other flammable materials away from the appliance, until all the components have cooled down completely - risk of fire.

⚠ Very young children (0-3 years) should be kept away from the appliance. Young children (3-8 years) should be kept away from the appliance unless continuously supervised. Children from 8 years old and above and persons with reduced physical, sensory or mental capabilities or lack of experience and knowledge can use this appliance only if they are supervised or have been given instructions on safe use and understand the hazards involved. Children must not play with the appliance. Cleaning and user maintenance must not be carried out by children without supervision.

⚠ WARNING: The appliance and its accessible parts become hot during use. Care should be taken to avoid touching heating elements. Children less than 8 years of age shall be kept away unless continuously supervised.

PERMITTED USE

⚠ CAUTION: the appliance is not intended to be operated by means of an external switching device, such as a timer, or separate remote controlled system.

⚠ This appliance is intended to be used in household and similar applications such as: staff kitchen areas in shops, offices and other working environments; farm houses; by clients in hotels, motels, bed & breakfast and other residential environments.

⚠ No other use is permitted (e.g. heating rooms).

⚠ This appliance is not for professional use. Do not use the appliance outdoors.

INSTALLATION

⚠ The appliance must be handled and installed by two or more persons - risk of injury. Use protective gloves to unpack and install - risk of cuts.

IMPORTANT TO BE READ AND OBSERVED

⚠ Installation, including water supply (if any), electrical connections and repairs must be carried out by a qualified technician. Do not repair or replace any part of the appliance unless specifically stated in the user manual. Keep children away from the installation site. After unpacking the appliance, make sure that it has not been damaged during transport. In the event of problems, contact the dealer or your nearest After-sales Service. Once installed, packaging waste (plastic, styrofoam parts etc.) must be stored out of reach of children - risk of suffocation. The appliance must be disconnected from the power supply before any installation operation - risk of electric shock. During installation, make sure the appliance does not damage the power cable - risk of fire or electric shock. Only activate the appliance when the installation has been completed.

⚠ Carry out all cabinet cutting operations before fitting the appliance and remove all wood chips and sawdust.

⚠ If the appliance is not installed above an oven, a separator panel (not included) must be installed in the compartment under the appliance.

ELECTRICAL WARNINGS

⚠ It must be possible to disconnect the appliance from the power supply by unplugging it if plug is accessible, or by a multi-pole switch installed upstream of the socket in accordance with the wiring rules and the appliance must be earthed in conformity with national electrical safety standards.

⚠ Do not use extension leads, multiple sockets or adapters. The electrical components must not be accessible to the user after installation. Do not use the appliance when you are wet or barefoot. Do not operate this appliance if it has a damaged power cable or plug, if it is not working properly, or if it has been damaged or dropped.

⚠ Installation using a power cable plug is not allowed unless the product is already equipped with the one provided by the Manufacturer.


⚠ If the supply cord is damaged, it must be replaced with an identical one by the manufacturer, its service agent or similarly qualified persons in order to avoid a hazard - risk of electric shock.

CLEANING AND MAINTENANCE

⚠ WARNING: Ensure that the appliance is switched off and disconnected from the power supply before performing any maintenance operation; never use steam cleaning equipment - risk of electric shock.

⚠ Do not use abrasive or corrosive products, chlorine-based cleaners or pan scourers.

DISPOSAL OF PACKAGING MATERIALS

The packaging material is 100% recyclable and is marked with the recycle symbol .


The various parts of the packaging must therefore be disposed of responsibly and in full compliance with local authority regulations governing waste disposal.

DISPOSAL OF HOUSEHOLD APPLIANCES

This appliance is manufactured with recyclable or reusable materials. Dispose of it in accordance with local waste disposal regulations. For further information on the treatment, recovery and recycling of household electrical appliances, contact your local authority, the collection service for household

waste or the store where you purchased the appliance. This appliance is marked in compliance with European Directive 2012/19/EU, Waste Electrical and Electronic Equipment (WEEE) and with the Waste Electrical and Electronic Equipment regulations 2013 (as amended).

By ensuring this product is disposed of correctly, you will help prevent negative consequences for the environment and human health.

The symbol  on the product or on the accompanying documentation indicates that it should not be treated as domestic waste but must be taken to an appropriate collection center for the recycling of electrical and electronic equipment.

ENERGY SAVING TIPS

Make the most of your hot plate's residual heat by switching it off a few minutes before you finish cooking.

The base of your pot or pan should cover the hot plate completely; a container that is smaller than the hot plate will cause energy to be wasted.

Cover your pots and pans with tight-fitting lids while cooking and use as little water as possible. Cooking with the lid off will greatly increase energy consumption.

Use only flat-bottomed pots and pans.

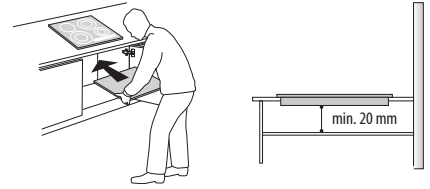
DECLARATION OF CONFORMITY

This appliance meets Ecodesign requirements of European Regulation 66/2014 and The Ecodesign for Energy-Related Products and Energy Information (Amendment) (EU Exit) Regulations 2019 in compliance with the European standard EN 60350-2.



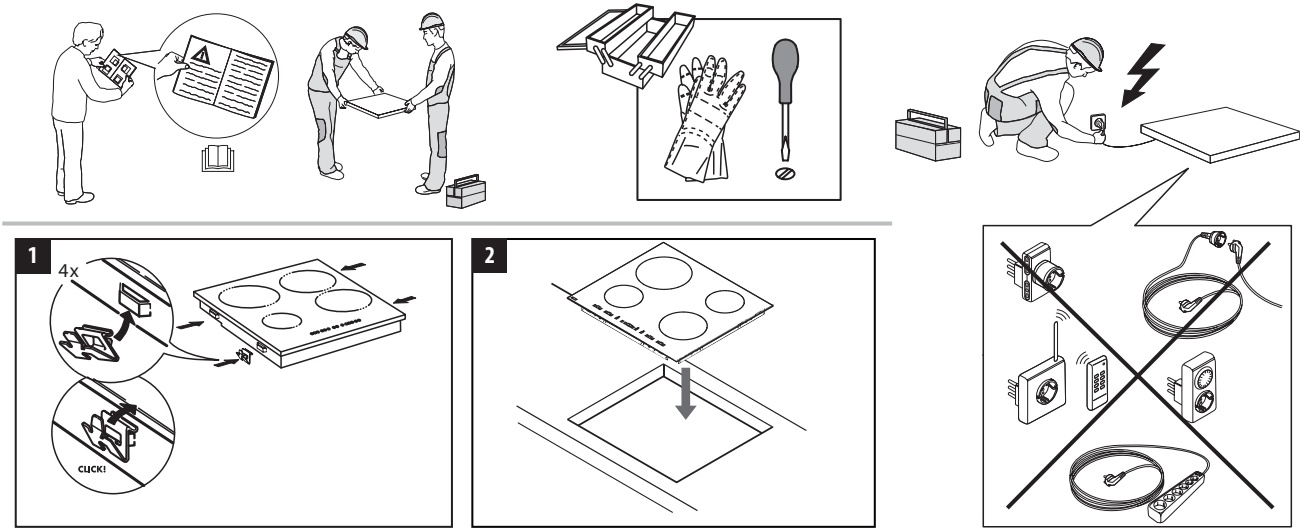
INSTALLATION

- The cooktop must be set into a worktop at least 20 mm deep.
- There must be nothing between the cooktop and the oven (cross rails, brackets, etc.).
- Make sure the power cord is long enough to allow convenient installation.
- The distance between the lower face of the glass ceramic hob and the cupboard or separating panel must be at least 20 mm.
- For built-in dimensions and installation see the picture in this paragraph.
- A minimum distance must be maintained between the hob and the hood above it. Please refer to the user manual of the hood for more informations.
- Apply the supplied gasket to the cooktop (unless it has already been fitted), after having cleaned its surface.
- **Do not install the cooktop near a dishwasher or washing machine, so that the electronic circuits do not come into contact with steam or moisture, which could damage them.**
- If an oven (from our range of ovens) is installed beneath the cooktop, make sure that it is equipped with a cooling system. If the temperature of the electronic circuits exceeds the maximum permitted temperature, the cooktop will switch off automatically; in this case, wait for a few minutes until the internal temperature of the electronic circuits reaches a tolerable level, at which point it will be possible to switch the hob on again.

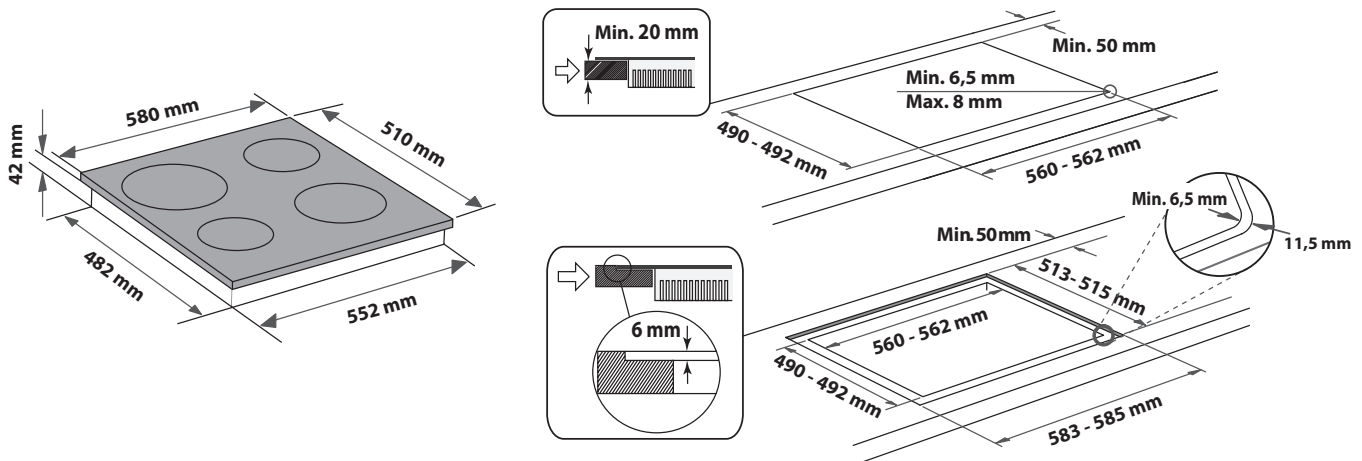
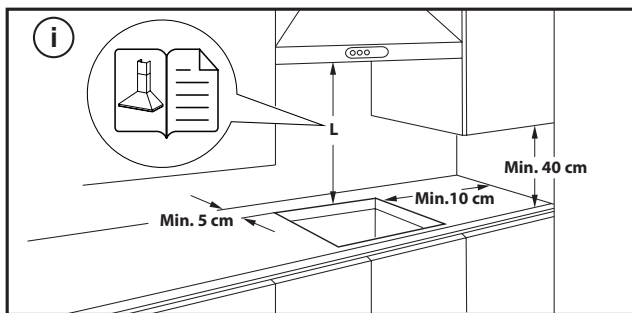


PLACING THE HOB

After the electrical connection (see the chapter "Electrical connection"). Position each fixing clips on the dedicated slots on the lateral sides of the hob as shown in the picture. Then push the hob inside the cut out and check that the glass is flat and parallel to the worktop. The fixing clips are designed for every type of worktop material (wood, marble, etc).



DIMENSIONS AND DISTANCES TO BE MAINTAINED



REMOVING THE HOB:

To remove the hob, first, disconnect it from the electric supply. It is strongly recommended to free the underneath part from the oven, drawer, separator, or other. It allows the technician to access the lower part of the hob to unfasten the four clips with a screwdriver, lift the hob and remove it, avoiding any worktop damage.

ELECTRICAL CONNECTION

Electrical connection must be made before connecting the appliance to the electricity supply.

The power cord is not included in the package - remember to prepare your own power cord.




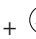
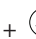
Installation must be carried out by qualified personnel who know the current safety and installation regulations. Specifically, installation must be carried out in compliance with the regulations of the local electricity supply company.

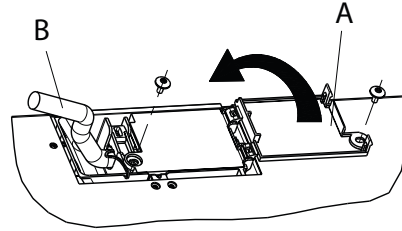
Make sure the voltage specified on the data plate located on the bottom of the appliance is the same as that of the home.

Regulations require that the appliance be earthed: use conductors (including the earth conductor) of the appropriate size only.

CONNECTION TO THE TERMINAL BLOCK

For the electrical connection, use an H05RR-F or H05V2V2-F cable as specified in the table below.

SUPPLY VOLTAGE	CONDUCTORS AMOUNT x SIZE
220-240V ~+ 	3 x 4 mm ²
230-240V ~+ 	3 x 4 mm ² (Australia only)
220-240V 3~+ 	4 x 1,5 mm ²
380-415V 3N~+ 	5 x 1,5 mm ²
380-425V 2N~+ 	4 x 1,5 mm ²



The appliance must be connected to the electricity supply by means of an all-pole disconnect switch with minimum contact gap of 3 mm.

ATTENTION: the power supply cable must be long enough to allow the cooktop to be removed from the worktop and must be positioned so as to avoid damage or overheating caused by contact with the base.

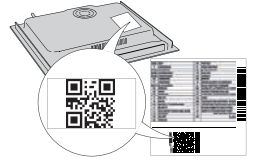
NOTE: the yellow/green earth wire must be connected to the terminal with the symbol  and must be longer than the other wires.

- Remove approx. 70 mm of the cable sheath from the power supply cable (B).
- Strip approx. 10 mm of sheath from the wires. Then insert the power supply cable into the cable clamp and connect the wires to the terminal block as indicated in the connection diagram placed close to the terminal block itself.
- Secure the power supply cable (B) by means of the cable clamp.
- Close the terminal board with the cover (A) securing it with the screw provided.
- After the electrical connection, fit the hob from the top and hook it to the support springs, according to the illustration.



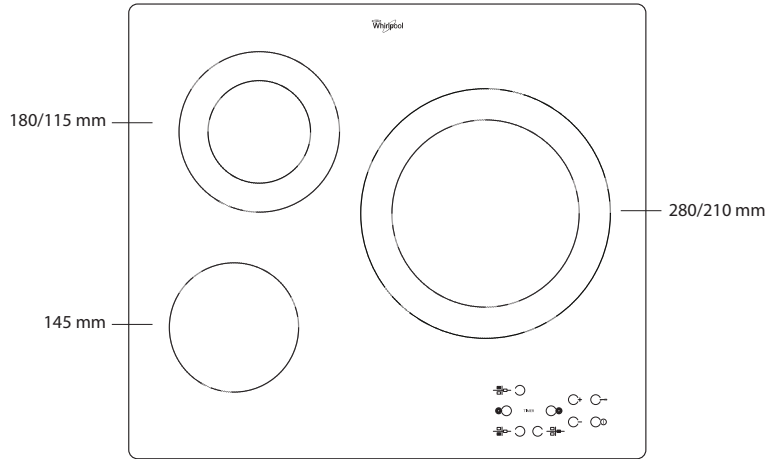
THANK YOU FOR BUYING A WHIRLPOOL PRODUCT
In order to receive a more complete assistance, please register your product on www.whirlpool.eu/register.

PLEASE SCAN THE QR CODE ON YOUR APPLIANCE IN ORDER TO REACH MORE INFORMATION

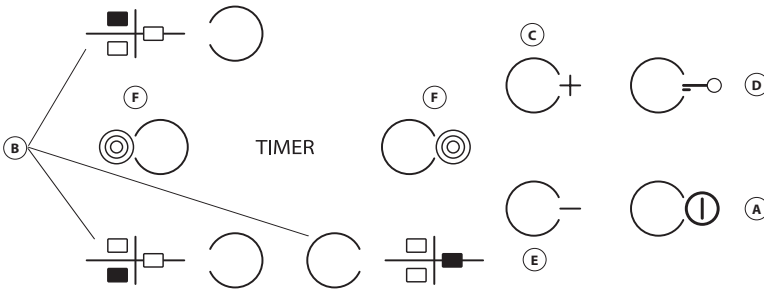


Before using the appliance carefully read the Safety Instruction.

PRODUCT DESCRIPTION



CONTROL PANEL



- A** On/Off
- B** Cooking zone and timer selection
- C-E** Heat setting increase and decrease
- D** Key lock
- F** Multiple zone Activation/ Deactivation

FIRST TIME USE

Upon first installation, the control panel performs a functional test for about 1 second, after which it automatically switches to the "Key lock" function. To deactivate the function, press and hold button "D"; an acoustic signal will

sound and the corresponding led will turn off.

NOTE: If a reset occurs, repeat the procedure described above.

DAILY USE

I SWITCHING THE HOB ON/OFF

To switch the hob on, keep button "A" pressed for approx. 2 seconds. The 3 cooking zone displays show "0". If within 20 seconds none of the cooking zones is activated, the hob switches off automatically as a safety precaution.

SWITCHING ON AND ADJUSTING COOKING ZONES

Press one of the buttons "B" corresponding to the cooking zone you intend to use. Select the heat setting required with buttons "E" or "C". The other selectable cooking settings go from 1 to 9. Press buttons "+/-" at the same time to cancel all settings.

IMPORTANT: the control is deactivated 10 seconds after the heat setting has been selected.

To change the heat setting, first press the selection button "B" again, then proceed to change the setting, using buttons "E" or "C".

Multiple Zone MULTIPLE ZONE

After selecting the desired zone and setting the level (as described in the previous section) press "F": an indicator above the button turns on, activating the additional zone.

The multiple zone can only be used if:

- The cooking zone is provided with multiple zone;
- The power level selected is greater than 0.

To deactivate the multiple zone, press button "B" of the desired zone, then press "F" again.

TIMER

To set the Timer function, select the desired cooking zone and power setting then press the cooking zone key again and a luminous dot will appear on the display of the timer-controlled cooking zone. The indication "00" blinks on the 2 displays. Press buttons "C" or "E" to set the time from 1 to 99.

IMPORTANT: after 10 seconds the timer displays will show the power setting of the other cooking zones.
To view the remaining cooking time, press the timer-controlled cooking zone key twice.

A FUNCTION

This function allows to automatically decrease the cooking zone power level from the highest value (level 9) to the one selected by the user for a later stage of cooking.

To activate this function first press the “+” button when level 9 is reached.

The display shows “A” and “9” flashes alternately with low brightness.

At this point, choose the desired power level (less than 9) with the “-” button.

“A” and selected level flash alternately with low brightness on the display.

The function is activated once “A” and the selected level flash alternately with high brightness on the display.

Once “A” is no longer visible on the display (the “A” function switches off automatically after several minutes, depending on the set power level), the cooking process continues with lower power and the display shows only the selected power level.

N.B.: this function is not possible with level 9.

KEY LOCK

The Key lock function is switched on by holding down button “D” until a dot lights up above the function button. The control panel is locked except for the switching-off function. The function remains on even after the hob is switched off and on again and can be deactivated by pressing button “D” again until the dot above the function button goes off.

When the hob is off with the key lock activated to switch the hob on, first deactivate the key lock function by pressing button “D” again until the dot above the function button goes off.

The presence of water, liquid spilled from pots or any objects resting on the controls can accidentally activate or deactivate the Key lock function.

RESIDUAL HEAT INDICATOR

When the cooking zone is switched off, the residual heat indicator “H” remains on or flashes alternating with “0” until the temperature of the hob returns within safety levels.

IMPORTANT: The hob’s safety features include an automatic switching off function. Prolonged use of the same heat setting triggers automatic switch-off of the cooking zone (for example, after around 1 hour at maximum heat setting, the cooking zone switches off).

IMPORTANT: To avoid a permanent damage the hob:

- do not use pots with bottoms that are not flat;
- do not use metal pots with enamelled bottom;
- do not place hot pots/pans over the control panel.

The hob is also equipped with the “auto shut off” function that switches off the cooking zone if no power level modification is done after a specific time frame depending on the power setting itself. In the table, there is the time duration of each power level.

POWER LEVEL	AUTO SHUT OFF TIME
0	30 seconds
1	10 hours
2	5 hours
3	5 hours
4	4 hours
5	3 hours
6	2 hours
7	2 hours
8	2 hours
9	1 hour

COOKING TABLE

POWER LEVEL		TYPE OF COOKING	LEVEL USE (indicating cooking experience and habits)
Maximum power	9	Boiling	Ideal for rapidly increasing the food temperature to fast boiling in the case of water or rapidly heating cooking liquids.
	9 – 8	Searing	Ideal for browning, starting to cook, frying frozen products, fast boiling.
High power	8 – 7	Browning – maintain boiling – grilling	Ideal for browning, maintaining a high boil, cooking, and grilling (short duration, 5-10 minutes).
	7 – 6	Frying – cooking – grilling	Ideal for maintaining a low boil, cooking and grilling (medium duration, 10-20 minutes), preheating, and frying.
Medium power	6 – 5	Gentle frying	Ideal for frying eggs, omelettes.
	5 – 4	Cooking – simmering – stewing	Ideal for prolonged cooking (rice, sauces, roasts, fish) with liquids (e.g., water, wine, broth, milk), creaming pasta.
	4 – 3	Thickening – creaming pasta	
Low power	2 – 1	Keeping food hot – creaming risottos	Ideal for keeping just-cooked food hot (e.g., sauces, soups, minestrone), creaming risottos and keeping serving dishes warm.
Minimum power	1	Defrosting	Ideal for defrosting small products and gently melting chocolate or butter.
Zero power	0	–	Hob in stand-by or off mode (possible end of cooking residual heat, indicated by an “H”).

CLEANING AND MAINTENANCE

Disconnect the appliance from the power supply.

- Do not use steam cleaning equipment.
- Do not use abrasive sponges or scouring pads as they may damage the glass.
- After each use, clean the hob (when it is cool) to remove any deposits and stains from food residue.

- Sugar or foods with a high sugar content can damage the hob and must be immediately removed.
- Salt, sugar and sand could scratch the glass surface.
- Use a soft cloth, absorbent kitchen paper or a specific hob cleaner (follow the Manufacturer's instructions).
- Spills of liquid in the cooking zones can cause the pots to move or vibrate.
- After cleaning the hob, dry thoroughly.

TROUBLESHOOTING

If the hob does not operate correctly, before calling the After-Sales Service, refer to the Troubleshooting Guide to determine the problem.

- Read and follow the instructions given in the section "Daily use".
- Check that the electricity supply has not been shut off.
- Dry the hob thoroughly after cleaning it.
- If a cooking zone has been selected and an "F" or an "ER" appear on the display followed by a number, contact the After Sales Service and inform them.
- If the error code is "F03", "ER03" or "E02", try to solve it by following these instructions:
 - If the error "E02" appears, please make sure you haven't been pressing buttons for more than 5 seconds, no object is on the HMI area and that it's clean and dry - when cleaning, please follow the "Cleaning and Maintenance" paragraph.
 - If the error "F03" appears, try turning the cooktop off and on again.
 - If the error "F04" appears, contact After Sales Service and let them know which code is displayed.

- If the hob does not work following intensive use, the hob internal temperature is too high. Wait a few minutes until the hob cools down.
- If the heater is not continuously on but switches on and off cyclically even if on the display the power level does not change, this is part of the normal functioning of the hob. The on/off cycle allows the power regulation of the heater and is completely normal. In some cases, thermal protection could switch off the heater for some time to avoid glass damage. Examples of such cases are: cooking a long time at a high power level, using pots smaller than the heating element, and not flat-bottomed pots.
- If the hob is emitting a brief sound without the customer pressing any buttons, please take care of any liquid spills on the HMI. Please dry the HMI and continue using the hob. If the hob has been switched off automatically, it can be caused by a liquid presence on HMI. Please dry the HMI and switch the hob back on.

If after the above checks the fault still occurs, get in touch with the nearest After Sales Service.

AFTER-SALES SERVICE

To receive complete assistance, please register your product on www.whirlpool.eu/register.

BEFORE CALLING THE AFTER-SALES SERVICE:

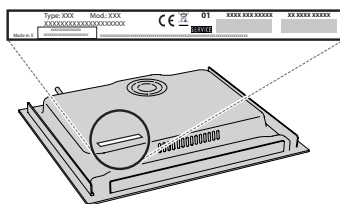
1. See if you can solve the problem by yourself with the help of the **TROUBLESHOOTING** suggestions.
2. Switch the appliance off and back on again to see if the fault persists.

IF AFTER THE ABOVE CHECKS THE FAULT STILL OCCURS, GET IN TOUCH WITH THE NEAREST AFTER-SALES SERVICE.

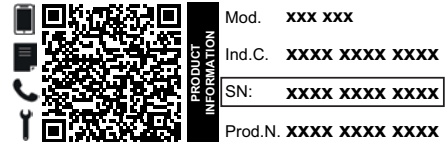
To receive assistance, call the number shown on the warranty booklet or follow the website's instructions on www.whirlpool.eu.

When contacting our Client After sales service, always specify:

- a brief description of the fault;
- the type and exact model of the appliance;



- the serial number (number after the word SN on the rating plate located under the appliance). The serial number is also indicated in the documentation;



- your full address;
- your telephone number.

If any repairs are required, please contact an authorized after-sales service (to guarantee that original spare parts will be used and repairs carried out correctly).

Policies, standard documentation and additional product information can be found by:

- Using QR code in your appliance;
- Visiting our website docs.whirlpool.eu;
- Alternatively, **contact our After-sales Service** (See phone number in the warranty booklet). When contacting our After-sales Service, please state the codes provided on your product's identification plate.



ИНСТРУКЦИИ ЗА БЕЗОПАСНОСТ

ВАЖНО Е ДА ГИ ПРОЧЕТЕТЕ И ДА ГИ СПАЗВАТЕ

Изтеглете пълното ръководство с инструкции от [http:// docs.indesit.eu](http://docs.indesit.eu) или се обадете на номера, посочен на книжката за гаранцията.

Преди използването на уреда прочетете внимателно тези указания за безопасност. Дръжте ги на удобно място за бъдещи справки.

В тези указания и на самия уред са представени важни предупреждения за безопасността, които трябва да се прочетат и да се съблюдават винаги. Производителят отказва всякаква отговорност при неспазване на тези указания за безопасността, във връзка с неподходяща употреба на уреда или неправилна настройка на органите за управление.

⚠ **ПРЕДУПРЕЖДЕНИЕ:** Ако повърхността на плочата за готвене е напукана, не използвайте уреда - опасност от електрически удар.

⚠ **ПРЕДУПРЕЖДЕНИЕ:** Опасност от пожар: не поставяйте предмети по готварските повърхности.

⚠ **ВНИМАНИЕ:** Процесът на готвене трябва да се наблюдава. Краткотрайните процеси на готвене трябва да се наблюдават постоянно.

⚠ **ПРЕДУПРЕЖДЕНИЕ:** Готвенето на плочата на храни с мазнина или олио без наблюдение може да се окаже опасно и да доведе до пожар. НИКОГА не опитвайте да потушите пламъците с вода: вместо това изключете уреда и покрийте пламъка с капак или огнеупорно одеяло.

⚠ Не използвайте плочата като работен плот или поставка. Пазете дрехите и други запалими материали далеч от уреда, докато всички негови компоненти изстинат напълно - опасност от пожар.

⚠ Много малки деца (0-3 год.) трябва да стоят далеч от уреда. Малки деца (3-8 год.) трябва да стоят далеч от уреда, освен ако не са под постоянно наблюдение. Този уред може да се използва от деца на 8 години и по-големи, както и от лица с ограничени физически, сетивни или умствени възможности или с недостатъчен опит и познания само ако са под надзор или са им дадени инструкции за употребата на уреда по безопасен начин и разбират възможните опасности. Децата не трябва да си играят с уреда. Почистването и поддръжката от потребителя не трябва да се извършва от деца без надзор.

⚠ **ПРЕДУПРЕЖДЕНИЕ:** Уредът и откритите му части се нагорещават по време на работа. Внимавайте да не докосвате нагревателните елементи. Децата под 8-годишна възраст трябва да се пазят далеч от уреда, ако не се наблюдават непрекъснато.

ПОЗВОЛЕНА УПОТРЕБА

⚠ **ВНИМАНИЕ:** уредът не е предназначен за управление с външен таймер или отделна система с дистанционно управление.

⚠ Този уред е предназначен за употреба в домашни условия и подобни приложения, като: кухни за служители

в магазини, офиси и други работни среди; в стопанства; от клиенти в хотели, мотели и други места за настаняване.

⚠ Не е позволено използване за никакви други цели (например за отопление на помещения).

⚠ Този уред не е предназначен за професионална употреба. Не използвайте този уред на открито.

МОНТИРАНЕ

⚠ Боравенето и монтажът на уреда трябва да се извършват от две или повече лица - съществува опасност от нараняване. Използвайте предпазни ръкавици за разопаковането и монтажа на уреда - съществува опасност от порязвания.

⚠ Монтирането, включително подаването на вода (ако е приложимо) и електрическото свързване и ремонтните дейности трябва да се извършват от квалифициран техник. Не поправяйте и не заменяйте части от уреда, ако това не е изрично посочено в ръководството за потребителя. Пазете децата далеч от мястото, където се извършва монтажът. След като разопаковате уреда, проверете дали не е повреден по време на транспортирането. В случай на проблеми се обърнете към търговеца, от който сте закупили уреда, или към най-близкия сервиз за следпродажбено обслужване. След монтажа всички отпадъци от опаковките (пластмаса, стиропор и др.) трябва да се съхраняват далеч от обсега на деца - съществува опасност от задушаване. Уредът трябва да бъде изключен от захранването преди монтажа - опасност от електрически удар. По време на монтажа внимавайте уредът да не повреди захранващия кабел - опасност от електрически удар. Активирайте уреда едва след завършване на монтажа.

⚠ Извършете всички работи по изрязването на шкафа, преди да поставите фурната в нишата, и след това отстранете всички дървени отломки и стърготини.

⚠ Ако уредът не е монтиран над фурна, трябва да се постави разделителен панел (не е включен) в нишата под уреда.

ПРЕДУПРЕЖДЕНИЯ ОТНОСНО ЕЛЕКТРОЗАХРАНВАНЕТО

⚠ Трябва да е възможно уредът да се изключи от захранването чрез изваждане на щепсела, ако е достъпен, или чрез достъпен многополюсен превключвател, монтиран след контакта, както и уредът да е заземен в съответствие с националните стандарти за електрическа безопасност.

⚠ Не използвайте удължители, разклонители с няколко гнезда или адаптери. След инсталирането електрическите компоненти трябва да бъдат достъпни за потребителя. Не използвайте уреда, когато сте с мокри или боси крака. Не използвайте този уред, ако захранващият му кабел или щепсел е повреден, ако не работи правилно или ако е бил повреден или е паднал.

⚠️ Инсталирането с използване на захранващ кабел с щепсел не се разрешава, освен ако уредът оригинално не е вече оборудван с такъв от производителя.


⚠️ Ако захранващият кабел е повреден, той трябва да се смени от производителя, негов сервизен агент или лице с аналогична квалификация, за да се избегне опасна ситуация, например електрически удар.

ПОЧИСТВАНЕ И ПОДДРЪЖКА

⚠️ ПРЕДУПРЕЖДЕНИЕ: Преди извършване на каквато и да било дейност по поддръжката на уреда, се уверете, че той е изключен и не е свързан към захранването; никога не използвайте уреди за почистване с пара - опасност от електрически удар.

⚠️ Не използвайте абразивни или корозивни препарати, препарати на хлорна основа или стоманена вълна.

ИЗХВЪРЛЯНЕ НА ОПАКОВЪЧНИТЕ МАТЕРИАЛИ


Опаковъчният материал е 100% годен за рециклиране и е маркиран със символа за рециклиране .

Различните опаковъчни материали трябва да бъдат изхвърлени отговорно и в съответствие с наредбите на местните органи за изхвърляне на отпадъци.

ИЗХВЪРЛЯНЕ НА ЕЛЕКТРОУРЕДИ

Този уред е произведен с материали, годни за рециклиране или за повторно използване. При изхвърлянето му спазвайте местните разпоредби за изхвърляне на отпадъци. За допълнително информация относно третирането, оползотворяването и рециклирането на домакински електроуреди се обърнете към компетентните местни органи, службата за битови отпадъци или магазина, откъдето сте закупили уреда. Този уред е маркиран в съответствие с Европейска директива 2012/19/ЕС, Отпадъчно електрическо и електронно оборудване (WEEE) и с правилата за отпадъчно електрическо и електронно оборудване от 2013 г. (с измененията).

Като се погрижите продуктът да бъде изхвърлен по правилен начин, Вие ще помогнете за предотвратяване на възможните негативни последици за околната среда и здравето на хората.

Символът  върху уреда или придружаващата го документация показва, че този уред не трябва да се третира като битов отпадък, а да бъде предаден в съответния събирателен пункт, предназначен за рециклиране на електрическа и електронна апаратура.

СЪВЕТИ ЗА ИКОНОМИЯ НА ЕНЕРГИЯ

Възползвайте се максимално от остатъчната топлина на котлона, като я изключите няколко минути, преди да сте завършили готвенето.

Основата на Вашата тенджерата или тиган трябва изцяло да покрива котлона; използването на съд, чиято площ е по-малка от тази на котлона, ще доведе до загуба на енергия.

По време на готвене покривайте тенджерите и тиганите с подходящи капаци и използвайте възможно най-малко вода. Готвенето без капак ще увеличи значително потреблението на енергия.

Използвайте само тенджери и тигани с плоско дъно.

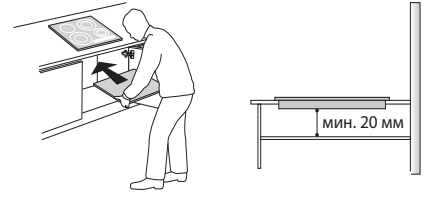
ДЕКЛАРАЦИЯ ЗА СЪОТВЕТСТВИЕ

Този уред отговаря на изискванията за екодизайн на Европейски регламент 66/2014 и Регламенти за екодизайн за енергийни продукти и енергийна информация (изменение) (ЕС изход) 2019, в съответствие с Европейски стандарт EN 60350-2.



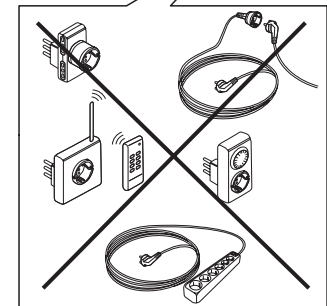
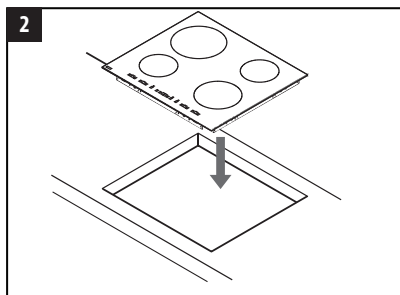
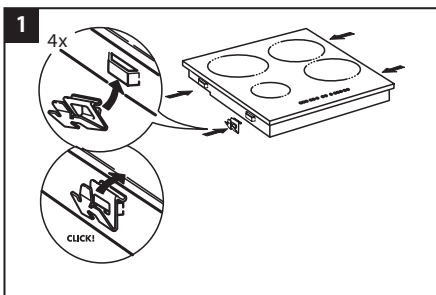
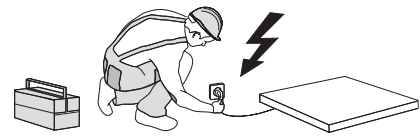
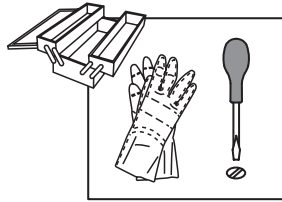
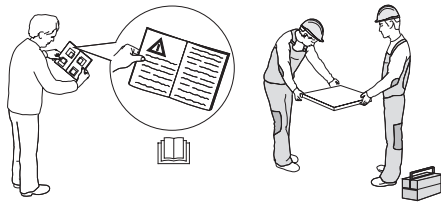
МОНТИРАНЕ

- Плотът за готвене трябва да бъде поставен в работен плот с дебелина най-малко 20 мм.
- В пространството между плота и кухнята не трябва да има нищо (напречни релси, носачи и др.).
- Уверете се, че захранващият кабел е достатъчно дълъг, за да позволи удобно инсталиране.
- Разстоянието между долната повърхност на стъклокерамичния плот и шкафа или разделящата плоскост трябва да бъде поне 20 мм.
- За размерите и монтажа на уреда за вграждане вижте изображението в този раздел.
- Между готварския плот и аспиратора над него трябва да се поддържа минимално разстояние. За допълнителна информация вижте ръководството за потребителя на аспиратора.
- След като сте почистили повърхността на плота, поставете доставения в комплекта уплътнител (освен ако той вече не е бил поставен).
- **Не монтирайте плот за готвене над съдомиялна или перална машина така, че електронните вериги да не влизат в контакт с пара или влага, които могат да ги повредят.**
- Ако фурна бъде монтирана под готварски плот, се уверете, че тя разполага със система за охлаждане. Ако температурата на електронните вериги превиши максимално допустимата температура, готварският плот ще се изключи автоматично; в този случай изчакайте няколко минути, докато вътрешната температура на електронните вериги достигне нормално ниво, като в този момент ще бъде възможно отново да включите плота.

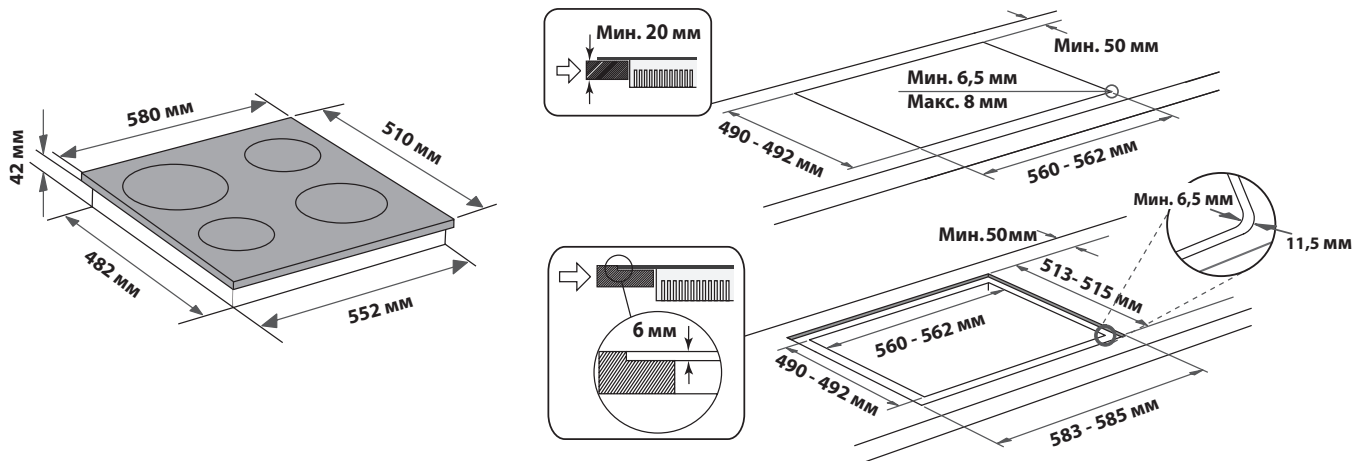
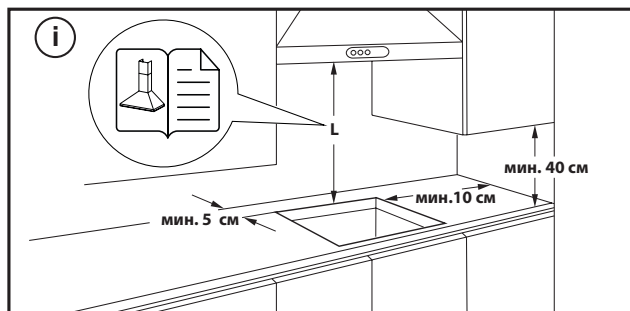


ПОСТАВЯНЕ НА ПЛОТА

След извършване на електрическите връзки (вижте глава "Свързване към електрическата мрежа"), поставете всяка от захващащите скоби на съответните места от страни на плота, както е показано на изображението. След това вкарайте плота на мястото му и се уверете, че стъклото е плоското и успоредно спрямо кухненския плот. Захващащите скоби са подходящи за всеки вид материал за кухненски плотове (дърво, мрамор и др.).



РАЗМЕРИ И РАЗСТОЯНИЯ, КОИТО ДА СЕ ПОДДЪРЖАТ



СВАЛЯНЕ НА КОТЛОНА (ПЛОТА):

За да свалите котлона, първо го изключете от електрическото захранване. Настоятелно се препоръчва да освободите долната част от фурната, чекмеджето, сепаратора или други части. Тя позволява на техника достъп до долната част на котлона, за да разкопчае четирите скоби с отвертка, да повдигне котлона и да го свали, без да го повреди.

СВЪРЗВАНЕ КЪМ ЕЛЕКТРИЧЕСКАТА МРЕЖА

Електрическите свързвания трябва да се извършат преди свързването на уреда към електрическата мрежа.

Захранващият кабел не е включен в пакета - не забравяйте да подготвите свой собствен захранващ кабел.

Монтирането трябва да се извърши от квалифициран персонал, запознат с текущите нормативни разпоредби относно безопасността и монтирането.

Особено важно е монтажът да се извърши в съответствие с наредбите на местната електроснабдителна компания.

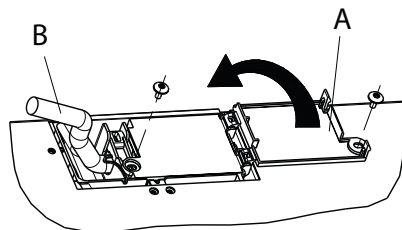
Уверете се, че напрежението, указано на табелката с номиналните данни, намираща се в долната част на уреда, е същото като това в дома Ви.

Заземяването на уреда е задължително по закон: използвайте проводници (включително заземяващия проводник) само с подходящ размер.

СВЪРЗВАНЕ КЪМ КЛЕМНИЯ БЛОК

За свързване към електрическата мрежа използвайте кабел тип H05RR-F или H05V2V2-F, както е посочено в таблицата по-долу.

ЗАХРАНВАЩО НАПРЕЖЕНИЕ	ПРОВОДНИЦИ БРОЙ x РАЗМЕР
220-240V ~+ 	3 x 4 мм ²
230-240V ~+ 	3 x 4 мм ² (само за Австралия)
220-240V 3~+ 	4 x 1,5 мм ²
380-415V 3N~+ 	5 x 1,5 мм ²
380-425V 2N~+ 	4 x 1,5 мм ²



Свържете уреда към електрозахранването посредством прекъсвач за всички полюси с минимална междина на контактите 3 mm.

ВНИМАНИЕ: захранващият кабел трябва да бъде достатъчно дълъг, за да може готварският плот да се извади от кухненския плот, и трябва да се постави така, че да се избегне повреждането или нагряването му при влизане в контакт с основата.

ЗАБЕЛЕЖКА: жълтият/зеленият заземяващ проводник трябва да бъде свързан към клемата със символ  и трябва да бъде по-дълъг от останалите проводници.

- Отстранете около 70 mm от обвивката на захранващия кабел (**B**).
- Отстранете около 10 mm от обвивката от проводниците. Вкарайте захранващия кабел в кабелната скоба и свържете проводниците към клемното табло, както е показано на схемата до самото клемно табло.
- Обезопасете захранващия кабел (**B**) със скобата за кабели.
- Затворете капака на клемното табло (**A**) и го обезопасете с предоставения винт.
- След извършване на електрическите връзки поставете плота за готвене отгоре и го окачете на опорните пружини, както е показано на илюстрацията.



БЛАГОДАРИМ ВИ, ЧЕ ЗАКУПИХТЕ ПРОДУКТ НА WHIRLPOOL
За да получавате по-пълно съдействие, моля, регистрирайте
вашия продукт на www.whirlpool.eu/register.

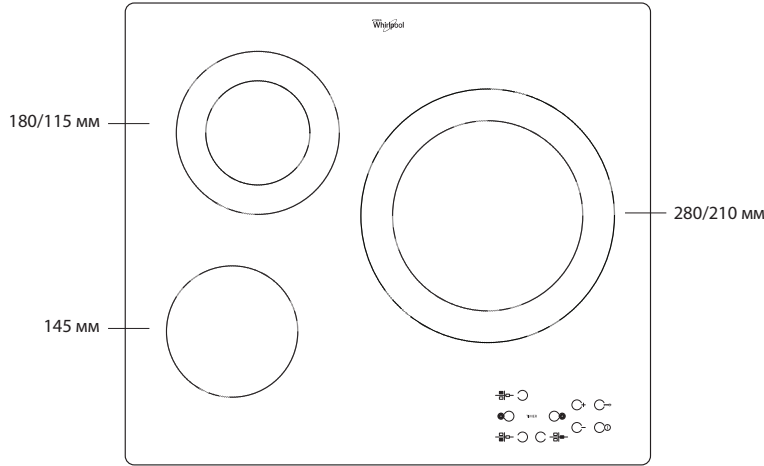


**Преди да използвате уреда, прочетете внимателно
инструкциите за безопасност.**

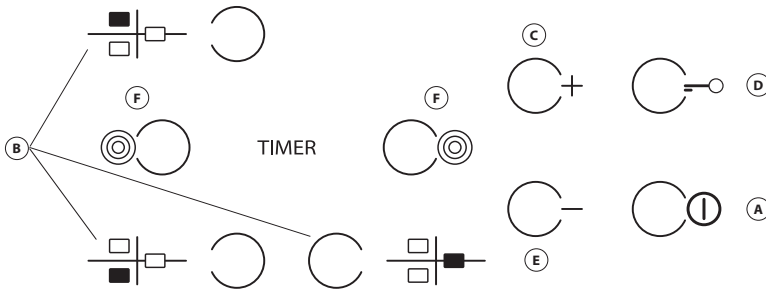
**МОЛЯ, СКАНИРАЙТЕ QR КОДА НА
ВАШИЯ УРЕД, ЗА ДА ПОЛУЧИТЕ
ПОВЕЧЕ ИНФОРМАЦИЯ**



ОПИСАНИЕ НА ИЗДЕЛИЕТО



ПАНЕЛ ЗА УПРАВЛЕНИЕ



- A** Включване/изключване
- B** Избор на зони за готвене и таймер
- C-E** Увеличаване и намаляване нивото на мощността
- D** Заклучване на бутоните
- F** Активиране/деактивиране на множество зони

ИЗПОЛЗВАНЕ ЗА ПРЪВ ПЪТ

При монтиране за първи път контролният панел извършва функционален тест за около 1 секунда, след който автоматично се включва функцията "Заклучване на бутоните".

За да деактивирате функцията, натиснете и задръжте бутона "D"; ще прозвучи

звук сигнал и съответната светодиодна лампичка ще се изключи.

ЗАБЕЛЕЖКА: В случай на пренастройване повторете процедурата, описана по-горе.

ВСЕКИДНЕВНА УПОТРЕБА



ВКЛЮЧВАНЕ/ИЗКЛЮЧВАНЕ НА ПЛОЧАТА ЗА ГОТВЕНЕ

За да включите плочата за готвене, задръжте натиснат бутона "A" за около 2 секунди. На дисплеите на 4-те зони за готвене се показва "0". Ако в рамките на 20 секунди не се активира никоя от зоните за готвене, плочата за готвене се изключва автоматично като предпазна мярка.

АКТИВИРАНЕ И РЕГУЛИРАНЕ НА ЗОНИТЕ НА ГОТВЕНЕ

Натиснете един от бутоните "B", съответстващ на зоната за готвене, която възнамерявате да използвате. Изберете необходимата настройка на топлината с бутоните "E" или "C". Другите избираеми настройки за готвене са в диапазона от 1 до 9. Натиснете едновременно бутоните "+/-" за отмяна на всички настройки.

ВАЖНО: контролата се деактивира 10 секунди след избиране на настройката за топлината.

За да промените настройката за топлината, първо натиснете отново бутона за избиране "B", след което продължете с промяната на настройката, като използвате бутоните "E" или "C".



МНОЖЕСТВЕНА ЗОНА

След като изберете необходимата зона и зададете нивото (както е описано в предходния раздел), натиснете "F": индикатор над бутона се включва, активирайки допълнителната зона.

Множествената зона може да се използва само ако:

- Зоната за готвене разполага с множествена зона;
- Избраното ниво на мощност е по-голямо от 0.

За да деактивирате множествената зона, натиснете бутона "B" на избраната зона, след което натиснете отново "F".

ТАЙМЕР

За да зададете функцията за таймера, изберете необходимата зона за готвене и настройката на мощността, след което натиснете отново бутона на зоната за готвене и на дисплея на контролираната с таймера зона ще се покаже светеща точка. На 2-та дисплея премигва "00". Натиснете бутоните "C" или "E", за да зададете времето от 1 до 99.

ВАЖНО: след 10 секунди на дисплея на таймера ще се покаже настройката на мощността на другите зони за готвене.

За да видите оставащото време на готвене, натиснете двукратно бутона на контролираната с таймера зона за готвене.

ФУНКЦИЯ "А"

Тази функция позволява автоматично намаляване на нивото на мощност на зоната за готвене от най-високата стойност (ниво 9) до избраната от потребителя за по-късен етап на готвене.

За да активирате тази функция, първо натиснете бутона "+", когато достигнете ниво 9.

Дисплеят показва "А" и "9" мига последователно с ниска яркост.

В този момент изберете желаното ниво на мощност (по-малко от 9) с бутона "-".

"А" и избраното ниво мигат последователно с ниска яркост на дисплея. Функцията се активира, след като "А" и избраното ниво започнат да мигат последователно с висока яркост на дисплея.

След като "А" вече не се вижда на дисплея (функцията "А" се изключва автоматично след няколко минути в зависимост от зададеното ниво на мощност), процесът на готвене продължава с по-ниска мощност и дисплеят показва само избраното ниво на мощност.

ВНИМАНИЕ: тази функция не е възможна при ниво 9.

ЗАКЛЮЧВАНЕ НА БУТОНИТЕ

Функцията Закл. на бутоните се включва чрез натискане и задържане на бутона "D", докато над бутона на функцията светне точка. Панелът за управление е заключен, с изключение на функцията за изключване. Функцията остава включена дори след изключване и повторно включване на плочата за готвене и може да се деактивира, като се натисне отново бутонът "D", докато точката над бутона на функцията изгасне.

Когато плотът е изключен с активирано заключване на бутоните, за да включите плочата, първо деактивирайте функцията за заключване на бутоните, като натиснете отново бутон "D", докато изгасне точката над функционалния бутон.

Наличието на вода, течност, разлята от тенджери или други предмети, които лежат върху органите за управление, може случайно да активира или дезактивира заключването на бутоните.

ИДИКАТОР ЗА ОСТАТЪЧНА ТОПЛИНА

Когато зоната за готвене се изключи, индикаторът за остатъчна топлина "H" остава включен или премигва, редувайки се с "0", докато температурата на плочата за готвене се върне в рамките на безопасните нива.

ВАЖНО: Характеристиките за безопасност на плочата за готвене включват функция за автоматично изключване. Продължителното използване на същата настройка за топлина задейства автоматично изключване на зоната за готвене (например след около 1 час при максималната настройка на топлината зоната за готвене се изключва).

ВАЖНО: За да избегнете необратими повреди на плота:

- използвайте само съдове с плоски дъна;
- не използвайте метални съдове с емайлирани дъна;
- не поставяйте горещи тенджери или тигани над контролния панел.

Котлонът е оборудван и с функцията "auto shut off" (автоматично изключване), която изключва зоната за готвене, ако не се направи промяна на нивото на мощност след определен период от време в зависимост от самата настройка на мощността. В таблицата е дадено времетраенето за всяко ниво на мощност.

НИВО НА МОЩНОСТ	ВРЕМЕ ЗА АВТОМАТИЧНО ИЗКЛЮЧВАНЕ
0	30 секунди
1	10 часа
2	5 часа
3	5 часа
4	4 часа
5	3 часа
6	2 часа
7	2 часа
8	2 часа
9	1 час

ТАБЛИЦА ЗА ГОТВЕНЕ

НИВО НА МОЩНОСТТА		ВИД ГОТВЕНЕ	НИВО НА ИЗПОЛЗВАНЕ (индикация за подпомагане на опита и навиците при готвене)
Максимална мощност	9	Завиране	Подходящо за бързо увеличаване на температурата на храните за бързо завиране, ако се касае за вода, или бързо загряване на течности за готвене.
	9 – 8	Изсушаване	Идеално за запичане, започване на готвене, пържене на замразени продукти, бързо кипване.
Висока мощност	8 – 7	Запичане – поддържане на варенето - печене	Идеално за запичане, поддържане на високо ниво на варене, готвене и печене (кратковременно, 5-10 минути).
	7 – 6	Пържене – готвене – печене	Идеално за поддържане на ниско ниво на варене, готвене и печене (със средна продължителност, 10-20 минути), предварително загряване и пържене.
Средна мощност	6 – 5	Леко пържене	Идеално за пържене на яйца, омлети.
	5 – 4	Готвене – изсушаване – задушаване	Идеално за продължително готвене (ориз, сосове, печено, риба) с наличие на течности (напр. вода, вино, бульон, мляко), размесване на макаронени изделия.
	4 – 3	Сгъстяване - размесване на макаронени изделия	
Ниска мощност	2 – 1	Поддържане на храната гореща – размесване на ризото	Идеално за поддържане на току-що приготвена храна гореща (например сосове, супи, минестроне), размесване на ризото и поддържане на ястията за поднасяне топли.
Минимална мощност	1	Размразяване	Идеално за размразяване на продукти с малки размери и леко разтопяване на шоколад или краве масло.
Мощност нула	0	–	Готварският плот е в режим на готовност или е изключен (възможно е да е горещ след готвене, за което сигнализира символът "H").

ПОЧИСТВАНЕ И ПОДДРЪЖКА

⚠ Изключете уреда от електрозахранването.

- Не използвайте уреди за почистване с пара.
- Не използвайте абразивни гъби или тел, тъй като може да повредите стъклото.
- След всяко използване почиствайте готварския плот (когато изстине), за да отстраните остатъците и петната, дължащи се на останки от храни.
- Захар или храни с високо съдържание на захар могат да повредят

готварския плот и трябва да се отстраняват незабавно.

- Солта, захарта и пясъкът могат да надраскат стъклената повърхност.
- Използвайте мека кърпа, попиваща кухненска салфетка или специален почистващ препарат за готварски плотове (спазвайте инструкциите на производителя).
- При разливане на течност върху нагревателна зона съдовете може да започнат да се преместват или да вибрират.
- Подсушавайте добре повърхността на плота след почистването ѝ.

ОТСТРАНЯВАНЕ НА НЕИЗПРАВНОСТИ

Ако готварският плот не работи като трябва, преди да повънните на отдела за следпродажбено сервизно обслужване, вижте ръководството за отстраняване на неизправности, за да установите проблема.

- Прочетете и следвайте инструкциите, дадени в раздел "Всекидневна употреба".
- Проверете дали има напрежение в електрическата мрежа.
- Подсушете ли плочата след почистването ѝ.
- Ако е избрана зона за готвене и на дисплея се появи "F" или "ER", последвано от число, се свържете със сервиза за следпродажбено обслужване и ги информирайте.
- Ако кодът за грешка е "F03", "ER03" или "E02", се опитайте да решите проблема, като използвате следните указания:
 - Ако се появи грешка "E02", моля, уверете се, че не сте натискали бутоните за повече от 5 секунди, няма предмет в областта на панела за управление и че той е чист и сух – когато почиствате, моля, следвайте указанията в параграфа за почистване и поддръжка.
 - Ако се появи грешка "F03", се опитайте да изключите и отново да включите котлона.
 - Ако се появи грешка "F04", се свържете със сервиза за следпродажбено обслужване и ги информирайте кой код се е появил на дисплея.

- Ако плочата за готвене не работи след интензивно използване, то вътрешната температура на плочата е твърде висока. Изчакайте няколко минути, докато плочата за готвене се охлади.
- Ако нагревателят не е включен непрекъснато, а се включва и изключва циклично, дори ако на дисплея нивото на мощността не се променя, това е част от нормалното функциониране на плота. Цикълът на включване/изключване позволява регулиране на мощността на нагревателя и е напълно нормален. В някои случаи термичната защита може да изключи нагревателя за известно време, за да се избегне повреждане на стъклото. Примери за такива случаи са: готвене дълго време на висока мощност, като използвате тенджери, по-малки от нагревателния елемент, както и тенджери с неплоско дъно.
- Ако плотът издава кратък звук, без клиентът да натиска бутони, моля, внимавайте за разливане на течност върху панела за управление. Моля, подсушете панела за управление и продължете използването на котлона. Ако плотът е изключен автоматично, това може да се дължи на наличие на течност в панела за управление. Моля, подсушете панела за управление и включете котлона отново.

Ако след извършване на горепосочените проверки неизправността все още продължава, свържете се с най-близкия отдел за следпродажбено обслужване.

СЛЕДПРОДАЖБЕНО ОБСЛУЖВАНЕ

За да получавате по-пълно съдействие, регистрирайте Вашия уред на www.whirlpool.eu/register.

ПРЕДИ ДА СЕ ОБАДИТЕ НА ОТДЕЛА ЗА СЛЕДПРОДАЖБЕНО ОБСЛУЖВАНЕ:

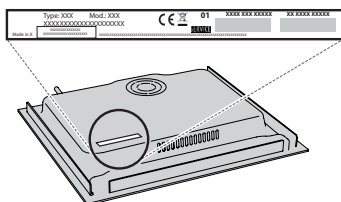
1. Проверете дали можете да отстраните сами проблема с помощта на предложенията, дадени в раздела **ОТСТРАНЯВАНЕ НА НЕИЗПРАВНОСТИ**.
2. Изключете уреда и го включете отново, за да проверите дали неизправността е отстранена.

АКО СЛЕД ИЗВЪРШВАНЕ НА ГОРЕПОСОЧЕНИТЕ ПРОВЕРКИ НЕИЗПРАВНОСТТА ВСЕ ОЩЕ НЕ Е ОТСТРАНЕНА, СВЪРЖЕТЕ СЕ С НАЙ-БЛИЗКИЯ ОТДЕЛ ЗА СЛЕДПРОДАЖБЕНО ОБСЛУЖВАНЕ.

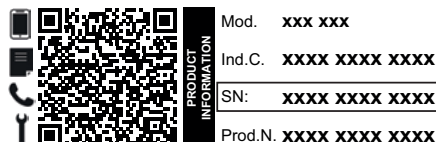
За да получите съдействие, се обадете на номера, написан на книжката за гаранция, или следвайте инструкциите на уебсайта www.whirlpool.eu.

Когато се свържете с отдела за следпродажбено обслужване, винаги посочвайте:

- кратко описание на неизправността;
- точния тип и модел на уреда;



- сериен номер (номерът след думата SN на табелката с номинални данни, разположена под уреда). Сериеният номер е посочен също и в документацията;



- Вашия пълен адрес;
- Вашия телефонен номер.

Ако се налагат някакви поправки, моля, свържете се с оторизиран отдел за следпродажбено обслужване (за да бъдете сигурни, че ще бъдат използвани оригинални резервни части и поправките ще бъдат извършени правилно).

Фирмените политики, стандартната документация и допълнителна информация за уреда можете да намерите, като:

- Използвайте QR кода на вашето устройство;
- Посетете нашия уебсайт docs.whirlpool.eu;
- Или като се свържете с отдела за следпродажбено обслужване (вижте телефонния номер в гаранционната книжка). При контакт с отдела за следпродажбено обслужване съобщавайте кодовете, посочени на идентификационната табелка на вашия уред.



ІНСТРУКЦІЇ З ТЕХНІКИ БЕЗПЕКИ

ВАЖЛИВА ІНФОРМАЦІЯ, ЯКУ СЛІД ПРОЧИТАТИ ТА ЯКОЇ СЛІД ДОТРИМУВАТИСЯ

Завантажте повну інструкцію з експлуатації з сайту <http://docs.whirlpool.eu> або зателефонуйте за номером телефону, вказаним у гарантійному буклеті.

Перед використанням приладу прочитайте ці інструкції з техніки безпеки. Збережіть їх для використання у майбутньому.

У цих інструкціях та на самому приладі містяться важливі попередження про небезпеку, які слід завжди виконувати. Виробник не несе жодної відповідальності за недотримання цих інструкцій з техніки безпеки, за неналежне використання приладу або неправильне налаштування елементів управління.

⚠ ПОПЕРЕДЖЕННЯ: Якщо варильна поверхня тріснула, не користуйтеся приладом - існує ризик ураження електричним струмом.

⚠ ПОПЕРЕДЖЕННЯ: Щоб уникнути пожежі, не зберігайте жодних предметів на поверхнях для приготування.

⚠ ОБЕРЕЖНО: слід наглядати за процесом готування. За короткочасним процесом готування слід наглядати постійно.

⚠ ПОПЕРЕДЖЕННЯ: Необережне приготування їжі із змістом жиру або олії на варильній панелі може бути небезпечним - це може призвести до виникнення пожежі. НІКОЛИ не намагайтеся загасити вогонь водою: Натомість, вимкніть прилад та накрийте полум'я, наприклад, кришкою або протипожежним покривалом.

⚠ Не використовуйте варильну панель як робочу поверхню або як підставку. Не кладіть одяг або інші легкозаймисті матеріали поблизу приладу, доки повністю не охолонуть всі його компоненти - існує ризик виникнення пожежі.

⚠ Не дозволяйте маленьким дітям (від 0 до 3 років) підходити до приладу. Не дозволяйте маленьким дітям (від 3 до 8 років) підходити надто близько до приладу без постійного нагляду. До користування приладом допускаються діти віком від 8 років, особи з фізичними, сенсорними чи розумовими вадами, а також особи, які не мають досвіду чи знань щодо використання цього приладу, тільки за умови, що такі особи отримали інструкції щодо безпечного використання приладу, розуміють можливий ризик або використовують прилад під наглядом. Не дозволяйте дітям гратися з приладом. Не дозволяйте дітям чистити та обслуговувати прилад без нагляду.

⚠ ПОПЕРЕДЖЕННЯ: Під час використання прилад і його доступні частини нагріваються. Слід бути обережними, щоб не торкнутися нагрівальних елементів. Дітей до 8 років не можна залишати поруч із приладом без постійного нагляду.

ДОЗВОЛЕНЕ ВИКОРИСТАННЯ

⚠ ОБЕРЕЖНО: Цей прилад не призначено для управління зовнішнім пристроєм для перемикачів, наприклад, таймером або окремою системою дистанційного керування.

⚠ Цей прилад призначено для використання в побутових і подібних умовах, наприклад таких: у кухонних зонах магазинів, офісів та інших робочих середовищ; у фермерських господарствах; клієнтами в готелях, мотелях, хостелах і інших житлових приміщеннях.

⚠ Забороняється використовувати прилад для інших цілей (наприклад, для опалення приміщень).

⚠ Цей пристрій не призначений для професійного використання. Не використовуйте прилад поза приміщенням.

УСТАНОВЛЕННЯ

⚠ Установлення і обслуговування приладу мають виконувати принаймні дві особи - існує ризик травмування. Під час розпакування та встановлення приладу використовуйте захисні рукавиці - існує ризик порізів.

⚠ Установлення, включаючи підключення водопостачання (за наявності), виконання електричних з'єднань, і ремонт має виконувати кваліфікований персонал. Не ремонтуйте та не замінюйте жодну частину приладу, якщо в інструкції з експлуатації прямо не вказано, що це необхідно зробити. Не дозволяйте дітям наближатись до місця установлення. Розпакувавши прилад, перевірте, чи немає на ньому пошкоджень після транспортування. У випадку виникнення проблем зверніться до продавця або найближчого центру післяпродажного обслуговування. Після установлення, залишки упаковки (пластик, пінополістиролові елементи і т.п.) повинні зберігатися в недоступному для дітей місці - існує небезпека удушення. Перед проведенням будь-яких робіт з установлення прилад слід відключити від електромережі - існує ризик ураження електричним струмом. Під час установлення приладу переконайтеся, що він не перетискає кабель живлення - існує ризик виникнення пожежі або ураження електрострумом. Вмикайте прилад лише після завершення процедури його встановлення.

⚠ Перед вбудовуванням приладу слід виконати всі столярні роботи, прибрати дерев'яну стружку та тирсу.

⚠ Якщо прилад не встановлений над піччю, то необхідно встановити розділювальну панель (не входить в комплект) у відділенні під приладом.

ПОПЕРЕДЖЕННЯ ПРО НЕБЕЗПЕКУ УРАЖЕННЯ ЕЛЕКТРИЧНИМ СТРУМОМ

⚠ Слід забезпечити можливість від'єднання приладу від джерела живлення за рахунок витягання вилки, якщо вона є доступною, або за допомогою багатополюсного перемикача, який встановлено перед розеткою згідно з нормами прокладення електропроводки, крім того, прилад має бути заземлений відповідно до національних стандартів електричної безпеки.

⚠ Не використовуйте подовжувачі, розгалужувачі або адаптери. Після підключення електричні компоненти мають бути недосяжні користувачеві. Перед

використанням пристрою, якщо ви мокрі або босоніж. Забороняється користуватися цим приладом у разі пошкодження проводаживленняабовилки, неналежної роботи або пошкодження чи падіння.

⚠ Установлення виробу зі штепсельною вилкою на кінці кабелю живлення допускається, тільки якщо виріб уже оснащено вилкою від виробника.


⚠ Якщо кабель електроживлення пошкоджений, слід звернутися до виробника, його сервісного агента або особи з подібною кваліфікацією для заміни пошкодженого кабелю на ідентичний кабель, щоб уникнути можливої небезпеки -існує ризик ураження електричним струмом.

ЧИЩЕННЯ ТА ОБСЛУГОВУВАННЯ

⚠ **ПОПЕРЕДЖЕННЯ:** Перед виконанням технічного обслуговування приладу переконайтеся в тому, що він вимкнений і відключений від джерела живлення; ніколи не застосовуйте пристрої чищення парою - існує ризик ураження електричним струмом.

⚠ Не використовуйте абразивні чи їдкі матеріали, очисники на основі хлору або металеві щітки.

УТИЛІЗАЦІЯ ПАКУВАЛЬНИХ МАТЕРІАЛІВ


Пакувальний матеріал на 100% підлягає вторинній переробці та позначений символом .

Тому різні частини упаковки слід утилізувати відповідально та відповідно до місцевих правил щодо утилізації відходів.

УТИЛІЗАЦІЯ ПОБУТОВИХ ПРИЛАДІВ

Цей прилад виготовлено з матеріалів, які підлягають вторинній переробці або придатні для повторного використання. Утилізуйте його відповідно до місцевих правил утилізації відходів. Для отримання додаткової інформації про поводження з побутовими електричними приладами, їх утилізацію та вторинну переробку зверніться до місцевих органів, служби утилізації побутових відходів або в магазин, де ви придбали прилад. Цей прилад марковано відповідно до Європейської директиви 2012/19/ЄС, Директиви щодо відпрацьованого електричного й електронного обладнання (WEEE) та до Регламенту 2013 року про відходи електричного та електронного обладнання (зі змінами).

Забезпечивши правильну утилізацію цього приладу, ви допоможете запобігти негативним наслідкам для довкілля та здоров'я людей.

Символ  на продукті або в супровідній документації вказує на те, що прилад не можна утилізувати як побутові відходи, і що його потрібно здати на утилізацію до відповідного центру збору та вторинної переробки електричного й електронного обладнання.

ПОРАДИ ЩОДО ЕНЕРГОЗБЕРЕЖЕННЯ

Скористайтеся залишковим теплом вашої плити, вимкнувши прилад за кілька хвилин до кінця приготування їжі.

Основа вашої каструлі або пательні має закривати плиту повністю; посуд, менший за плиту, сприятиме витраті енергії.

Накривайте каструлі та пательні щільними кришками під час готування та використовуйте якомога менше води. Приготування страв без кришки значно збільшить споживання енергії.

Використовуйте тільки каструлі та сковороди з плоским дном.

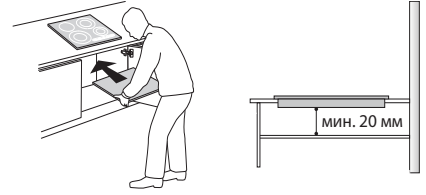
ДЕКЛАРАЦІЯ ПРО ВІДПОВІДНІСТЬ

Цей прилад відповідає вимогам щодо екодизайну Регламенту ЄС 66/2014, вимогам щодо екодизайну для виробів, що споживають енергію, та Положенням про енергетичну інформацію (Поправка) (Вихід з ЄС) 2019 року, відповідно до європейського стандарту EN 60350-2.



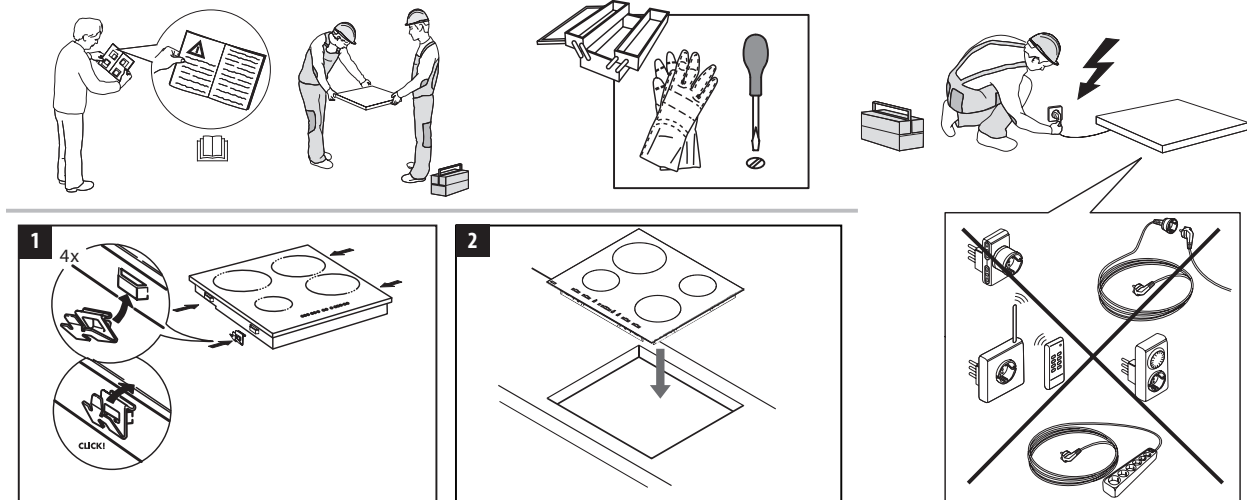
УСТАНОВЛЕННЯ

- Варильна панель має бути втоплена в робочу поверхню на глибину щонайменше 20 мм.
- Між варильною поверхню та піччю не має бути нічого іншого (поперечних рейок, скоб і т.д.).
- Шнур живлення повинен мати достатню довжину для зручного встановлення виробу.
- Відстань між нижньою поверхню склокерамічної поверхні та шафою або роздільною панеллю має бути щонайменше 20 мм.
- Інструкції щодо розмірів вбудовування та встановлення див. на малюнку в цьому параграфі.
- Між варильною панеллю та кухонною витяжкою потрібно залишити принаймні мінімальну відстань. Для отримання докладніших відомостей див. інструкції з використання, які постачаються в комплекті з кухонною витяжкою.
- Скористайтеся прокладкою, що поставляється в комплекті, для варильної поверхні (якщо вона ще не була встановлена), після очищення її поверхні.
- **Не встановлюйте варильну поверхню біля посудомийної чи пральної машини, щоб електронні компоненти не контактували з паром чи вологою, які можуть їх пошкодити.**
- Якщо піч встановлена під варильною поверхню, переконайтеся, що вона оснащена охолоджувальною системою. Якщо температура електросхеми перевищує максимально допустиму температуру, варильна поверхня вимкнеться автоматично. В цьому випадку почекайте кілька хвилин, поки внутрішня температура електронної схеми не досягне допустимого рівня, коли варильна панель можна буде увімкнути знову.

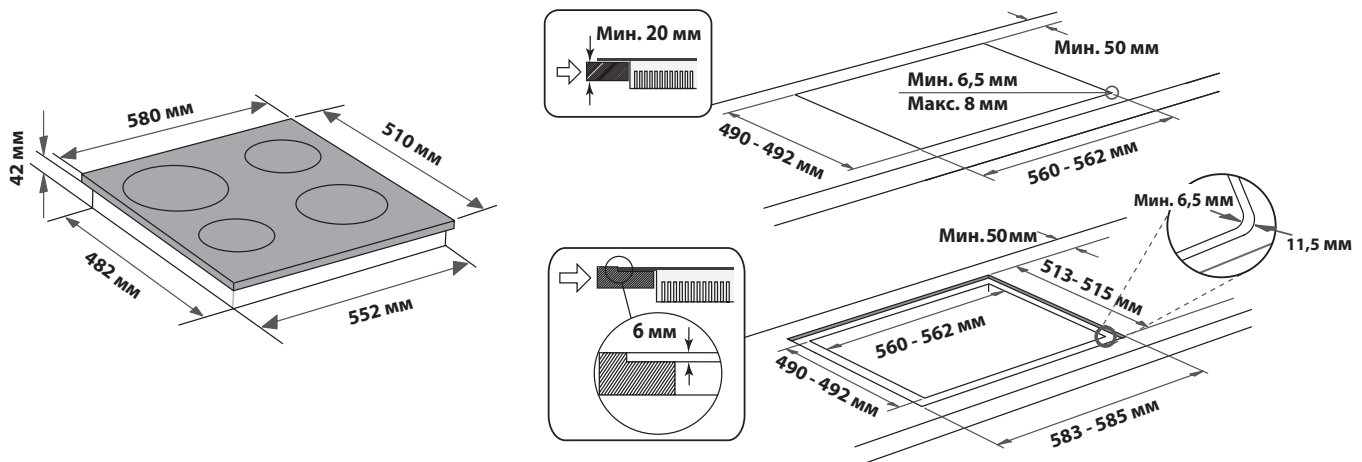
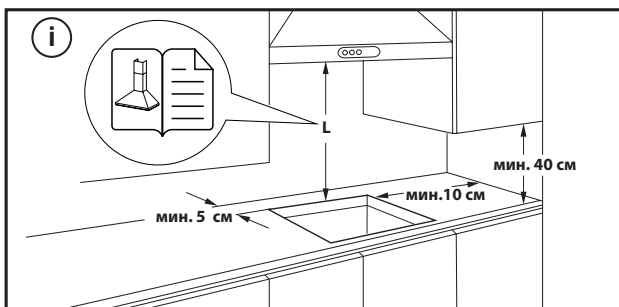


УСТАНОВЛЕННЯ ВАРИЛЬНОЇ ПАНЕЛІ

Підключивши прилад до електромережі (див. розділ "Підключення до електромережі"), закріпіть зажими у відповідних роз'ємах на бічних сторонах варильної панелі, як зображено на малюнку. Потім засуньте прилад у спеціально вирізану нішу та переконайтеся, що скляну поверхню розміщено паралельно робочій поверхні. Зажими призначені для всіх типів матеріалу, з якого виготовлено робочу поверхню (дерево, мармур тощо).



РОЗМІРИ ТА ВІДСТАНІ, ЯКИХ СЛІД ДОТРИМУВАТИСЯ



ДЕМОНТАЖ ВАРИЛЬНОЇ ПАНЕЛІ

Щоб зняти варильну панель, спочатку від'єднайте її від електромережі. Наполегливо рекомендовано звільнити нижню частину меблів, діставши з неї духову шафу, шухляди, розділювальну планку тощо. Завдяки цьому технічний фахівець отримає доступ до нижньої частини варильної панелі, щоб відкрутити чотири затискачі з допомогою викрутки, підняти варильну панель і дістати її, не пошкодивши робочу поверхню.

ПІДКЛЮЧЕННЯ ДО ЕЛЕКТРОМЕРЕЖ

Електричні підключення мають виконуватися до підключення приладу до електромережі.

Шнур живлення не входить до комплекту, обов'язково підготуйте власний шнур.

Установлення приладу має здійснювати кваліфікований спеціаліст, який ознайомлений із поточними нормами безпеки та монтажу. Зокрема, установка має проводитися згідно з нормами місцевої компанії електропостачання.

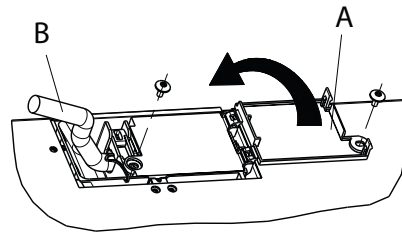
Переконайтеся, що напруга, вказана на таблиці основних параметрів, розташованої на дні приладу, відповідає напрузі будівлі.

Відповідно до нормативних вимог прилад має бути заземленим: використовуйте провідники (включно з провідником заземлення) лише відповідного розміру.

ПІДКЛЮЧЕННЯ ДО КЛЕМНИКА


Для підключення до електромережі скористайтеся кабелем H05RR-F або H05V2V2-F, указаним у таблиці нижче.

НАПРУГА ДЖЕРЕЛА ЖИВЛЕННЯ	ПРОВІДИ КІЛЬКІСТЬ x РОЗМІР
220-240V ~ + 	3 x 4 mm ²
230-240V ~ + 	3 x 4 mm ² (лише Австралія)
220-240V 3~ + 	4 x 1,5 mm ²
380-415V 3N~ + 	5 x 1,5 mm ²
380-425V 2N~ + 	4 x 1,5 mm ²



Підключати прилад до джерела живлення потрібно за допомогою омніполярного вимикача з мінімальним розривом контактів 3 мм.

УВАГА: Кабель електроживлення має бути достатньо довгим, щоб можна було виїняти варильну поверхню з робочої поверхні та перемістити так, щоб уникнути пошкодження або перегріву, спричиненого контактом з основою.

ПРИМІТКА: Дріт заземлення жовтого/зеленого кольору потрібно підключати до клемника, позначеного  символом. Довжина цього дроту має перевищувати довжину інших дротів.

- Вилучіть прибл. 70 мм оболонки кабелю з кабелю живлення (**B**).
- Зніміть прибл. 10 мм оболонки з дротів. Потім вставте кабель живлення в затискач кабелю та під'єднайте дроти до клемника, як зображено на схемі з'єднань, розташованій біля самого клемника.
- Закріпіть кабель живлення (**B**) затискачем кабелю.
- Закрийте клеймову панель за допомогою кришки (**A**), а потім закріпіть її за допомогою гвинтів, що постачаються в комплекті.
- Після здійснення підключення до мережі, встановіть варильну панель зверху, підвісивши її до опорних пружин, як це зображено на малюнку.



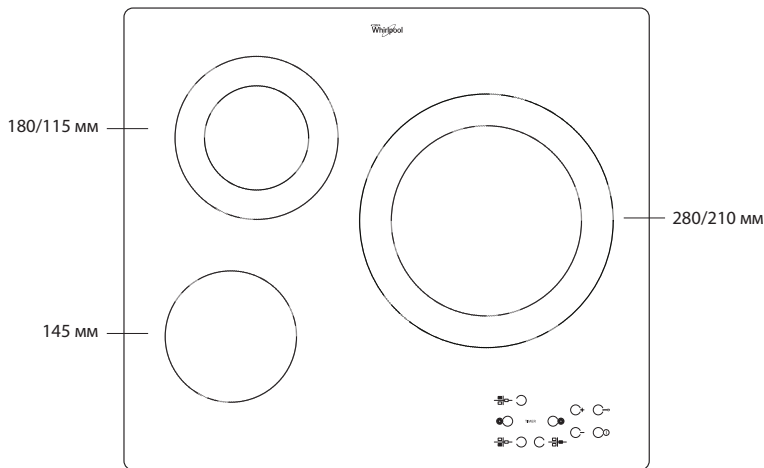
ДЯКУЄМО ЗА ПРИДБАННЯ ВИРОБУ WHIRLPOOL
Для отримання більш повної допомоги зареєструйте свій прилад на сайті www.whirlpool.eu/register.

ВІДСКАКУЙТЕ QR-КОД НА СВОЄМУ ПРИЛАДІ, ЩОБ ОТРИМАТИ ДОДАТКОВУ ІНФОРМАЦІЮ

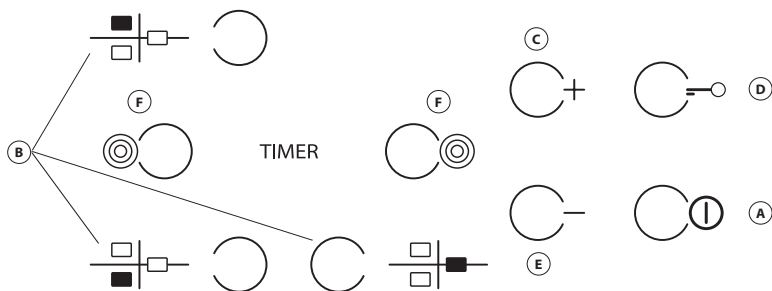


Перед використанням пристрою уважно прочитайте інструкції з техніки безпеки.

ОПИС ВИРОБУ



ПАНЕЛЬ КЕРУВАННЯ



- A** Вмикання/Вимикання
- B** Конфорки та встановлення таймера
- C-E** Збільшення та зменшення рівня нагрівання
- D** Блокування кнопок
- F** Увімкнення/вимкнення режиму роботи кількох конфорок

ПЕРШЕ ВИКОРИСТАННЯ

Після першого встановлення приладу панель керування ініціює функціональну перевірку тривалістю 1 секунда, а потім автоматично активується функція "Блокування кнопок". Для деактивації функції натисніть та утримуйте кнопку "D"; пролунає

акустичний сигнал та відповідна індикація LED буде вимкнена.

ПРИМІТКА: У разі скидання налаштувань виконайте процедуру, описану вище.

ЩОДЕННЕ ВИКОРИСТАННЯ



УВІМКНЕННЯ ТА ВИМКНЕННЯ ВАРИЛЬНОЇ ПАНЕЛІ

Щоб увімкнути варильну панель, натисніть і утримуйте протягом приблизно 2 секунд кнопку "A". Для чотирьох конфорок на дисплеї відобразиться цифра "0" (нуль). Якщо протягом 20 секунд не активовано жодну конфорку, запобіжний захід передбачає автоматичне вимкнення варильної панелі.

УВІМКНЕННЯ ТА НАЛАШТУВАННЯ КОНФОРОК

Натисніть одну з кнопок "B", що відповідає конфорці, яку потрібно використати. За допомогою кнопок "E" та "C" виберіть необхідний рівень нагрівання. Інші можливі налаштування варильної панелі позначаються цифрами від 1 до 9. Щоб скасувати всі налаштування, натисніть одночасно кнопки "+/-".

ВАЖЛИВО! Через 10 секунд після встановлення рівня нагрівання буде вимкнено панель керування.

Щоб змінити рівень нагрівання, спочатку натисніть кнопку вибору "B", а потім за допомогою кнопок "E" та "C" змініть налаштування.



МУЛЬТИКОНТУРНА ЗОНА

Виберіть потрібну конфорку, установіть рівень нагрівання (як описано в попередньому розділі), а потім натисніть кнопку «F». Над кнопкою засвітиться індикатор, що свідчить про увімкнення додаткової конфорки. Режим роботи кількох конфорок можна використовувати лише в наведених нижче випадках.

- Конфорки підтримують режим роботи кількох конфорок;
 - Для рівня живлення вибрано значення, більше за «0» (нуль).
- Щоб вимкнути режим роботи кількох конфорок, натисніть кнопку «B» для відповідної конфорки, а потім ще раз натисніть кнопку «F».

TIMER (ТАЙМЕР)

Щоб установити таймер, виберіть необхідну конфорку та рівень живлення, ще раз натисніть кнопку конфорки й на дисплеї конфорки, для якої встановлено таймер, з'явиться активована точка. На двох дисплеях блимає позначення "00". Натисніть кнопку "E" та "C", щоб установити час (від 1 до 99).

ВАЖЛИВО! Через 10 секунд в областях таймера відобразиться рівень живлення, вибраний для інших конфорок.
Щоб переглянути час готування, що залишився, двічі натисніть кнопку конфорки, для якої встановлено таймер.

ФУНКЦІЯ “А”

Ця функція автоматично знижує рівень потужності конфорки для наступного етапу готування від найвищого значення (9-го рівня) до значення, заданого користувачем.

Щоб активувати цю функцію, у разі досягнення 9-го рівня натисніть кнопку “+”. На екрані з'являться літера “А” й цифра “9”, вони блиматимуть почергово з низькою яскравістю.

На цьому етапі потрібно вибрати потрібний рівень потужності (менше 9-го) за допомогою кнопки “_”.

На екрані почергово блиматимуть із низькою яскравістю літера “А” й вибраний рівень.

Коли літера “А” й вибраний рівень почергово зблимають на екрані з високою яскравістю, це засвідчить активацію функції.

Коли літера “А” зникне з екрана (функція “А” вимикається автоматично через кілька хвилин, залежно від встановленого рівня потужності), процес приготування продовжиться з меншою потужністю, а на екрані відобразатиметься лише вибраний рівень потужності.

ПРИМІТКА: ця функція недоступна для 9-го рівня потужності.

БЛОКУВАННЯ КНОПОК

Щоб активувати функцію Блокування кнопок натисніть і утримуйте кнопку “D”, доки над кнопкою функції не засвітиться точка.

Панель керування, крім функції вимкнення приладу, буде заблоковано. Навіть якщо вимкнути, а потім увімкнути варильну панель, функція блокування не вимкнеться. Щоб вимкнути її, потрібно натиснути й утримувати кнопку “D”, доки над кнопкою функції не згасне точка.

Якщо варильна панель вимкнена з активованим блокуванням кнопок, для ввімкнення варильної панелі слід спочатку деактивувати блокування кнопок. Для цього потрібно натиснути й утримувати кнопку “D”, доки над кнопкою функції не згасне точка.

Наявність залишків води, пролітої рідини чи інших об'єктів на елементах керування може спричинити випадкове ввімкнення або вимкнення функції блокування кнопок.

ІНДИКАТОР ЗАЛИШКОВОГО ТЕПЛОВИДІЛЕННЯ

Після вимкнення варильної панелі почергово світлитимуться індикатор залишкового тепловиділення “Н” і позначення “0”, доки температура варильної панелі не знизиться до безпечного рівня.

ВАЖЛИВО! До функцій безпеки варильної панелі належить функція автоматичного вимкнення панелі. Використання конфорки, коли протягом тривалого часу вибрано один рівень нагрівання, ініціює її.

ВАЖЛИВО! Щоб запобігти пошкодженню варильної панелі, дотримуйтеся таких вказівок:

- не використовуйте каструлі з нерівним дном;
- не використовуйте металеві каструлі з емальованим дном;
- не розміщуйте гарячі каструлі/сковороди на панелі керування.

Варильну панель також оснащено функцією “Автоматичне вимкнення”, яка автоматично вимикає конфорку, якщо впродовж певного проміжку часу (залежить від встановленого рівня потужності) не змінили рівень потужності. У таблиці наведено тривалість дії кожного рівня потужності.

РІВЕНЬ ПОТУЖНОСТІ	ЧАС АВТОМАТИЧНОГО ВИМКНЕННЯ
0	30 секунд
1	10 година
2	5 година
3	5 година
4	4 година
5	3 година
6	2 година
7	2 година
8	2 година
9	1 година

ТАБЛИЦЯ ПРИГОТУВАННЯ

РІВЕНЬ ПОТУЖНОСТІ		ТИП ПРИГОТУВАННЯ СТРАВИ	ВИКОРИСТАННЯ РІВНЯ (із зазначенням результату готування та особливостей)
Максимальна потужність	9	Кип'ятіння	Ідеально підходить для швидкого доведення до кипіння води або рідин, що швидко нагріваються.
	9 – 8	Обсмажування	Ідеально підходить для підрум'янювання страв, початку процесу готування, розмороження заморожених продуктів, швидкого кип'ятіння.
Висока потужність	8 – 7	Підрум'янювання – підтримування кипіння – приготування на грилі	Ідеально підходить для підрум'янювання, підтримання стану кип'ятіння на значному вогні, варіння та приготування на грилі (незначна тривалість: 5—10 хвилин).
	7 – 6	Смаження – варіння – приготування на грилі	Ідеально підходить для підтримання стану кип'ятіння на незначному вогні, варіння та приготування на грилі (середня тривалість: 10—20 хвилин), попереднього прогрівання та смаження.
Середня потужність	6 – 5	Делікатне смаження	Ідеально для смаження яєць й приготування омлетів.
	5 – 4	Варіння – повільне кип'ятіння – тушкування	Ідеально підходить для страв, приготування яких займає чимало часу (рис, соуси, печеня, риба), з використанням певних рідин (вода, вино, бульйон, молоко), приготування соусу для макаронних страв.
	4 – 3	Згущування – соус для макаронних страв	
Низька потужність	2 – 1	Підігрівання – приготування ризото	Ідеально для підтримання щойно приготованої їжі (наприклад, соусів, супів, мінестроне) у гарячому стані, приготування ризото та підтримання страв у гарячому стані перед подачею.
Мінімальна потужність	1	Розморожування	Ідеально підходить для розморожування дрібних продуктів та повільного пом'якшення масла чи повільного топлення шоколаду.
Нульова потужність	0	–	Варильна панель у режимі очікування або вимкнута (після готування можлива наявність залишкового тепла, про що свідчить літера “Н” на дисплеї).

ОЧИЩЕННЯ І ОБСЛУГОВУВАННЯ

⚠ Від'єднайте прилад від джерела живлення.

- Ніколи не застосовуйте пристрої чищення паром.
- Не використовуйте металеві скребки або абразивні губки, оскільки вони можуть пошкодити скло.
- Після кожного використання очищуйте варильну панель (коли вона охолоне) від плям та залишків їжі.
- Цукор або продукти з високим вмістом цукру можуть пошкоджувати

- поверхню варильної панелі, тому їх слід негайно видаляти.
- Сіль, цукор і пісок можуть подряпати скляну поверхню.
- Використовуйте м'яку ганчірку, кухонну серветку, що вбирає вологу, або спеціальний засіб чищення для варильної панелі (дотримуйтесь інструкцій виробника).
- Пролита на конфорки рідина може спричинити вібрацію та зсування посуду.
- Після чищення ретельно висушуйте варильну панель.

ПОСІБНИК З УСУНЕННЯ НЕСПРАВНОСТЕЙ

Якщо варильна панель працює неналежним чином, перш ніж звертатися до центру післяпродажного обслуговування, перегляньте "Посібник з усунення несправностей", щоб визначити проблему.

- Прочитайте інструкції, наведені у розділі "Щоденне використання", та дотримуйтесь їх.
- Перевірте, чи не перекрито постачання живлення.
- Очистивши варильну панель, ретельно протріть її м'якою сухою ганчіркою.
- Якщо була обрана конфорка та на дисплеї з'являється "F" або "ER" із цифрою, зверніться до центру післяпродажного обслуговування та повідомте про це.
- Якщо відображається код помилки "F03", "ER03" або "E02", спробуйте усунути її в зазначений нижче спосіб.
 - Якщо відображається код помилки "E02", переконайтеся, що ви не натискали кнопки понад 5 секунд, у зоні інтерфейсу керування немає сторонніх предметів і поверхня цієї зони чиста й суха. Під час чищення дотримуйтесь указівок щодо обслуговування та чищення.
 - Якщо відображається помилка "F03", спробуйте вимкнути її повторно ввімкнути варильну панель.
 - Якщо відображається помилка "F04", зверніться до центру післяпродажного обслуговування та повідомте код, що відображається.
- Якщо варильна поверхня не працює через інтенсивне використання,

то внутрішня температура варильної поверхні занадто висока. Почекайте кілька хвилин, поки варильна панель охолоне.

- Якщо конфорка не лишається постійно ввімкненою, а натомість циклічно вмикається й вимикається, навіть якщо рівень потужності на екрані не змінюється, це є нормальною роботою варильної панелі. Завдяки періодичному вмиканню/вимиканню контролюється рівень потужності конфорки. Це є нормальним явищем. У деяких випадках функція теплового захисту може на певний час спричинити вимкнення конфорки, щоб запобігти пошкодженню скла. Приклади таких випадків: довготривале готування страви на великому вогні; використання каструль, площа дна яких менша за площу конфорки; використання каструль із нерівним дном.
- Якщо варильна поверхня видає короткий звук, коли користувач не натискає жодної кнопки, перевірте, чи не пролилася рідина на зону інтерфейсу керування, і за необхідності витріть її. Висушіть зону інтерфейсу керування, після чого можна продовжити експлуатацію варильної панелі. Якщо варильна панель автоматично вимкнулася, це могла спричинити рідина в зоні інтерфейсу керування. Висушіть зону інтерфейсу керування, після чого знову ввімкніть варильну панель.

Якщо після вищевказаних перевірок несправність не зникає, зверніться до найближчого післяпродажного обслуговування.

ПІСЛЯПРОДАЖНЕ ОБСЛУГОВУВАННЯ

Для отримання більш повної допомоги зареєструйте свій прилад на сайті www.whirlpool.eu/register.

ПЕРШ НІЖ ЗВЕРТАТИСЯ ДО ЦЕНТРУ ПІСЛЯПРОДАЖНОГО ОБСЛУГОВУВАННЯ, ВИКОНАЙТЕ НАВЕДЕНІ НИЖЧЕ ДІЇ:

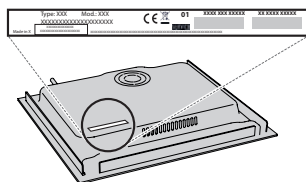
1. Перевірте, чи можна вирішити проблему самостійно за допомогою порад, наведених у розділі **ПОСІБНИК ІЗ УСУНЕННЯ НЕСПРАВНОСТЕЙ**.
2. Вимкніть прилад і знову увімкніть його, щоб перевірити, чи несправність залишається.

ЯКЩО ПІСЛЯ ВИЩЕВКАЗАНОЇ ПЕРЕВІРКИ НЕСПРАВНІСТЬ НЕ ЗНИКНЕ, ЗВЕРНІТЬСЯ ДО НАЙБЛИЖЧОГО ЦЕНТРУ ПІСЛЯПРОДАЖНОГО ОБСЛУГОВУВАННЯ.

Щоб отримати допомогу, зверніться за номером, що вказаний у гарантійному талоні, або дотримуйтесь інструкцій на сайті www.whirlpool.eu.

Під час зв'язку з нашим Сервісом післяпродажного обслуговування завжди уточнюйте:

- короткий опис несправності;
- тип і точну модель приладу;



- серійний номер (номер після слова SN на паспортній табличці, розташованій під приладом). Серійний номер вказаний також у документації;



- повна адреса вашого місця проживання;
- ваш номер телефону.

Якщо потрібен ремонт, зверніться в авторизований центр післяпродажного обслуговування (щоб гарантувати, що будуть використані оригінальні запчастини та ремонт буде виконано правильно).

З правилами, стандартною документацією та додатковою інформацією про виріб можна ознайомитися наступним чином:

- за допомогою QR-коду на вашому побутовому приладі;
- відвідавши наш веб-сайт docs.whirlpool.eu;
- або **звернувшись до нашого центру післяпродажного обслуговування клієнтів** (номер телефону зазначено у гарантійному талоні). Звертаючись до центру післяпродажного обслуговування, повідомте коди, зазначені на табличці з паспортними даними виробу

