

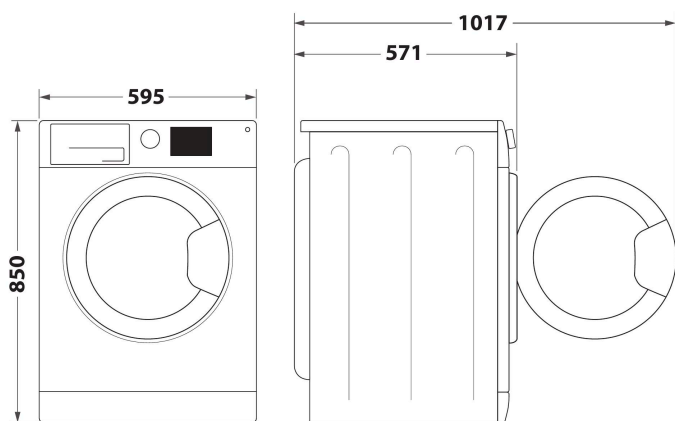
FWFP710521WH GCC

12NC: 859991533770

GTIN (EAN) code: 8003437209765

Whirlpool

SENSING THE DIFFERENCE



- Energy class A++
- Washing capacity: 7 kg
- Maximum spin speed: 1000 rpm
- Water Safety: 1 Eltek
- Water consumption: 52.5 L
- SoftMove
- FreshCare+
- Daily 30°
- Daily 40°
- Daily mixed 40°C
- Eco Cotton
- Mixed Fabrics Program
- Special Big Items Program
- Sport
- Colours 15°
- Jeans and Baby program
- Delicates

Whirlpool freestanding front loading washing machine: 7 kg - FWFP710521WH GCC

This Whirlpool freestanding Washing Machine features: white color. A spacious 7kg capacity. A fast, resource-efficient 1000 revolutions per minute spin speed. 30 minute quick wash. The Colours 15 programme offers ultimate colour preservation, washing your fabrics at 15C, yet achieving the same cleaning results as 40C.



FreshCare+

100% Freshness even if you forget to unload. No need to adapt your schedule to the laundry chores: your garments will be protected from odours and creasing. FreshCare+ thanks to delicate steaming and tumbling action inhibits the proliferation of the main bad odour sources (inside the washer) for up to 6 hours after the cycle ends, while gentle tumbling prevents fixing of creases.



Start Delay

Tailored for you. The Start Delay option allows you to set the Washing machine to begin its cycle whenever most convenient for you, saving you both time and energy.



Rapid 30'

For your convenience. The Rapid 30' feature provides all the ideal washing results you deserve, in just 30 minutes.



A++ energy efficiency

Outstanding energy efficiency. With its A++ energy rating, this Whirlpool Washing machine will allow you to enjoy both ideal results and lower energy consumption.



7kg capacity

This Whirlpool Washing Machine offers 7kg drum capacity for your laundry.



Programs for wool

Ideal wool care. Our wool programs provide all the care and comfort you require.



Colours Program

Ideal colour care. Ensure your coloured items receive all the care you deserve, with the Colours Program.



Daily Load

Effortless daily washing. The Daily Load programme completes an average daily load (3.5kg) of mixed cotton and synthetic fibres at 40°C in only 60 minutes.



Water protection system

Protection against leaks. The Aqua Stop protection system ensures the flow of water to your appliance is immediately interrupted, in case of leakage.

FWFP710521WH GCC

12NC: 859991533770

GTIN (EAN) code: 8003437209765

Whirlpool

SENSING THE DIFFERENCE

MAIN FEATURES

Product group	Washing machine
Construction type	Free-standing
Installation type	Free-standing
Removable work top	No
Loading type	Front loader
Main colour of product	White
Electrical connection rating (W)	1850
Current (A)	10
Voltage (V)	220-240
Frequency (Hz)	50
Length of Electrical Supply Cord (cm)	120
Plug type	UK
Height of the product	845
Width of the product	595
Depth of the product	575
Net weight (kg)	66

TECHNICAL FEATURES

Automatic programmes	Yes
Spin speed options	Variable
Skip spin	Yes
Weight measurement	-
Textile type recognition	-
Degree of dirtiness recognition	-
Foam control	Yes
Balance control	Yes
Type of water protection system	1 Eltek
Cold wash option	No
Progress indicator	Yes (Display)
Digital countdown indicator	Yes
Start delay options	Continuous
Start delay time max. (h)	0
Tub material	Plastic
Drum volume (l)	52
Hot & cold water intake?	No
Gross weight (kg)	67
Height of the packed product	870
Width of the packed product	640
Depth of the packed product	590

ENERGIA - ЕНЕРГИЯ - ENERGIJA
ENERGIJA - ENERGY - ENERGIE
ENERGI

WHIRLPOOL
FWFP710521WH GCC

A+++
A++
A+
A
B
C
D

A++

198
kWh/annum

10630
L/annum

7
kg

62 dB

78 dB

2010/1061

PERFORMANCES

Energy efficiency class - NEW (2010/30/EU)	A++
Energy consumption annual (kWh/annum) - NEW (2010/30/EU)	198
Washing performance class	A
Maximum spin speed (rpm) - NEW (2010/30/EU)	1000
Capacity cotton (kg) - NEW (2010/30/EU)	7
Water consumption annual (l/annum) - NEW (2010/30/EU)	10630
Energy consumption 60 °C full load	1.12
Power consumption in left-on mode - NEW (2010/30/EU)	8
Power consumption in off-mode - NEW (2010/30/EU)	0.5
Moisture content % on dry load after max. spin - NEW (2010/30/EU)	62
Average washing time cotton 60°C (full load) - NEW (2010/30/EU)	180
Noise level washing (dB(A) re 1 pW)	62
Noise level spinning (dB(A) re 1 pW)	78