

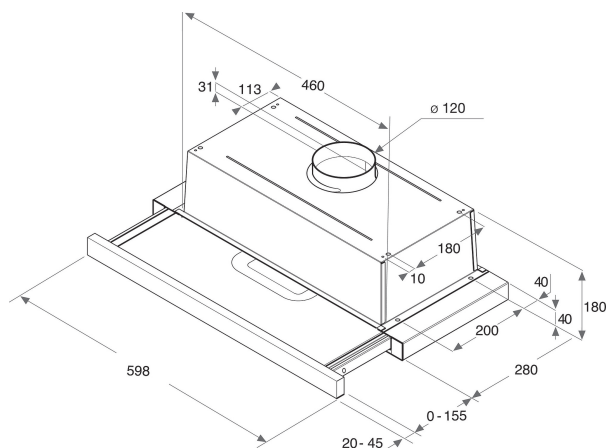
# AKR 469 IX

12NC: 857846901000

GTIN (EAN) code: 8003437215445

**Whirlpool**

SENSING THE DIFFERENCE



## MAIN FEATURES

|   |                               |
|---|-------------------------------|
| Product group                           | Odsávače                      |
| Colour body                             | Nerez                         |
| Material body                           | Metal                         |
| Colour chimney                          | N/A                           |
| Material chimney                        | N/A                           |
| Typology                                | Pull-out                      |
| Installation type                       | Vstavaná                      |
| Type of control                         | Mechanical                    |
| Type of control settings                | -                             |
| Decor panel options                     | Possible and included         |
| Motor location                          | Integrated motor in hood body |
| Operating Mode                          | Convertible                   |
| Electrical connection rating (W)        | 156                           |
| Current (A)                             | 0,7                           |
| Voltage (V)                             | 220-240                       |
| Frequency (Hz)                          | 50/60                         |
| Length of Electrical Supply Cord (cm)   | 150                           |
| Plug type                               | Schuko                        |
| Chimney height (mm)                     | 0                             |
| Height of product, without chimney (mm) | 211                           |
| Height of the product                   | 180                           |
| Width of the product                    | 599                           |
| Depth of the product                    | 300                           |
| Minimum niche height                    | 0                             |
| Minimum niche width                     | 0                             |
| Niche depth                             | 0                             |
| Net weight (kg)                         | 6                             |

## TECHNICAL FEATURES

|   |                    |
|---|--------------------|
| Type of manual control devices                          | Buttons            |
| Type of automatic control devices                       | -                  |
| Number of motors  | 1                  |
| Total power of the motors (W)                           | 100                |
| Number of speed settings: boost option availability     | 2                  |
| Boost presence  | Nie                |
| Maximum output air extraction (m <sup>3</sup> /h)       | 271                |
| Boost position air extraction (m <sup>3</sup> /h)       | 0                  |
| Maximum output recirculating air (m <sup>3</sup> /h)    | 163                |
| Boost position output recirculating (m <sup>3</sup> /h) | 0                  |
| Light Control Type                                      | On/Off             |
| Number of lights  | 2                  |
| Type of lamps used                                      | Halogen            |
| Total power of the lamps (W)                            | 56                 |
| Diameter of air outlet (mm)                             | 120                |
| No-return airflow flap                                  | Áno                |
| Grease filter material                                  | Washable aluminium |
| Odour filter  | Nie                |

## ENERGETICKÝ ŠTÍTK

|   |    |
|---|----|
| Sound power at min. speed (2010/30/EU)          | 46 |
| Sound power at max. speed (2010/30/EU)          | 57 |
| Noise level with boost position (dB(A) re 1 pW) | 0  |