

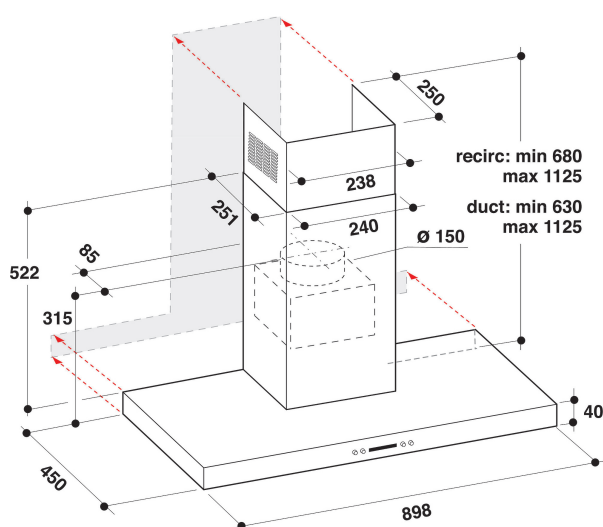
AKR 757 IX

12NC: 857875701000

GTIN (EAN) code: 8003437218231

Whirlpool

SENSING THE DIFFERENCE



MAIN FEATURES

Product group	Odsávače
Colour body	Nerez
Material body	Stainless steel
Colour chimney	Nerez
Material chimney	Stainless steel
Typology	Manual
Installation type	Wall-mounted
Type of control	Electronic
Type of control settings	-
Decor panel options	N/A
Motor location	Integrated motor in hood chimney
Operating Mode	Convertible
Electrical connection rating (W)	300
Current (A)	1,3
Voltage (V)	220-240
Frequency (Hz)	50
Length of Electrical Supply Cord (cm)	150
Plug type	Schuko
Chimney height (mm)	530-1125
Height of product, without chimney (mm)	40
Height of the product	680
Width of the product	898
Depth of the product	450
Minimum niche height	0
Minimum niche width	0
Niche depth	0
Net weight (kg)	19.3

TECHNICAL FEATURES

Type of manual control devices	LCD touch control
Type of automatic control devices	-
Number of motors	1
Total power of the motors (W)	260
Number of speed settings: boost option availability	3
Boost presence	Áno
Maximum output air extraction (m ³ /h)	709
Boost position air extraction (m ³ /h)	709
Maximum output recirculating air (m ³ /h)	330
Boost position output recirculating (m ³ /h)	330
Light Control Type	On/Off
Number of lights	2
Type of lamps used	Halogen
Total power of the lamps (W)	40
Diameter of air outlet (mm)	150
No-return airflow flap	Nie
Grease filter material	Washable aluminium
Odour filter	Nie

ENERGETICKÝ ŠTÍTK

Sound power at min. speed (2010/30/EU)	51
Sound power at max. speed (2010/30/EU)	61
Noise level with boost position (dB(A) re 1 pW)	0