

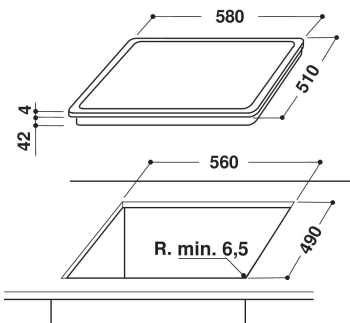
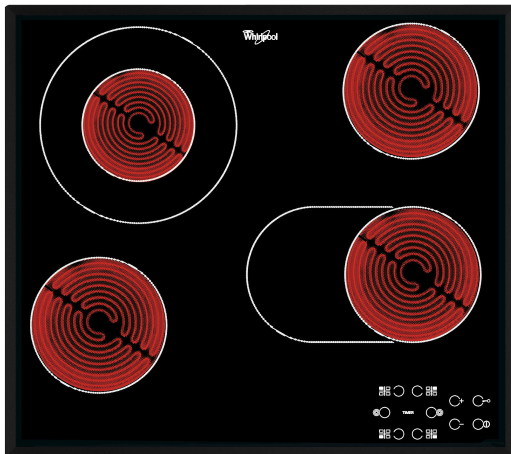
# AKT 8190/BA

12NC: 859409201000

EAN code: 8003437830204

**Whirlpool**

SENSING THE DIFFERENCE



## MAIN FEATURES

Product group	Hob
Construction type	Built-in
Type of control	Electronic
Type of control setting and signalling devices	-
Number of gas burners	0
Number of electric cooking zones	4
Number of electric plates	0
Number of radiant plates	4
Number of halogen plates	0
Number of induction plates	0
Number of electric warming zones	0
Location of control panel	Hob Front
Basic surface material	Glass
Main colour of product	Crna
Electrical connection rating (W)	6300
Gas connection rating (W)	0
Current (A)	27,8
Voltage (V)	230
Frequency (Hz)	50
Length of Electrical Supply Cord (cm)	0
Plug type	Ne
Gas connection	N/A
Width of the product	580
Height of the product	46
Depth of the product	510
Minimum niche height	42
Minimum niche width	560
Niche depth	490
Net weight (kg)	8.50
Automatic programmes	Ne

## TECHNICAL FEATURES

Power on indicator	Yes
Plate on indicator	4
Type of regulation	Radiant
Type of lid	Without
Residual heat indicator	separate
Main on/off switch	Yes
Safety device	-
Timer	Switch-off

## ENERGY LABEL

Energy input	Electric
--------------	----------