

DAILY REFERENCE GUIDE



THANK YOU FOR BUYING AN INDESIT PRODUCT.
In order to receive a more complete assistance, please register your appliance on: www.indesit.com/register

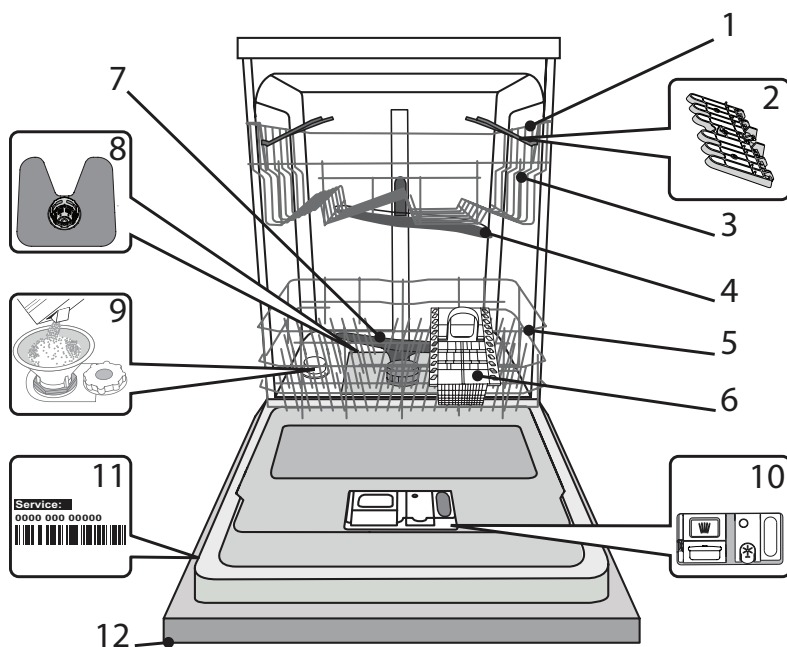


You can download the Safety Instructions and the User Manual, by visiting our website docs.indesit.eu and following the Instructions on the back of this booklet.

Before using the appliance carefully read Safety Instructions guide.

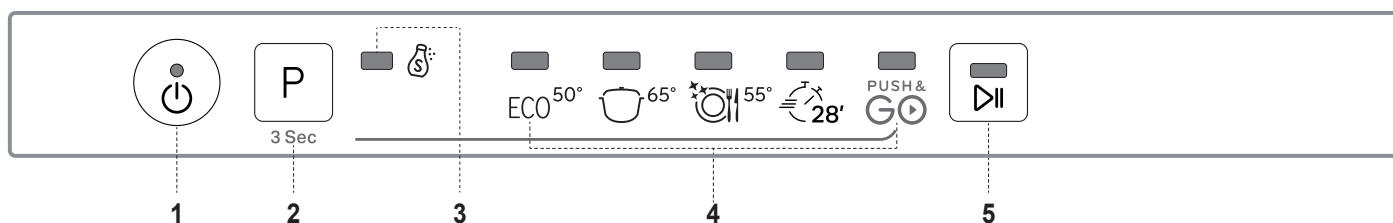
PRODUCT DESCRIPTION

APPLIANCE



1. Upper rack
2. Foldable flaps
3. Upper rack height adjuster
4. Upper spray arm
5. Lower rack
6. Cutlery basket
7. Lower spray arm
8. Filter Assembly
9. Salt reservoir
10. Detergent and Rinse Aid dispensers
11. Rating plate
12. Control panel

CONTROL PANEL



1. ON-OFF / Reset button with indicator light
2. Program selection button / Push&GO
3. Salt refill indicator light
4. Program indicator lights
5. START/Pause button with indicator light

FIRST TIME USE

SALT, RINSE AID AND DETERGENT


ADVICE REGARDING THE FIRST TIME USE

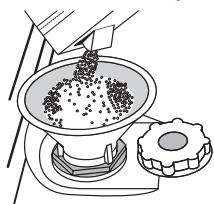
After installation, remove the stoppers from the racks and the retaining elastic elements from the upper rack.

FILLING THE SALT RESERVOIR

The use of salt prevents the formation of LIMESCALE on the dishes and on the machine's functional components.

- It is mandatory that **THE SALT RESERVOIR NEVER BE EMPTY.**
- It is important to set the water hardness.

The salt reservoir is located in the lower part of the dishwasher (see *PRODUCT DESCRIPTION*) and must be filled when the **SALT REFILL indicator light**  in the control panel is lit.



1. Remove the lower rack and unscrew the reservoir cap (anticlockwise).
2. **Only the first time you do this: fill the salt reservoir with water.**
3. Position the funnel (see figure) and fill the salt reservoir right up to its edge (approximately 1 kg); it is not unusual for a little water to leak out.
4. Remove the funnel and wipe any salt residue away from the opening.

Make sure the cap is screwed on tightly, so that no detergent can get into the container during the wash program (this could damage the water softener beyond repair).

Whenever you need to add salt, it is mandatory to complete the procedure before the beginning of the washing cycle to avoid corrosion.

SETTING THE WATER HARDNESS

To allow the water softener to work in a perfect way, it is essential that the water hardness setting is based on the actual water hardness in your house. This information can be obtained from your local water supplier. The factory sets the default value for the water hardness

- Switch on the appliance by pressing the **ON/OFF** button.
- Switch off the appliance by pressing the **ON/OFF** button.
- Hold down button **P** for 5 seconds, until you hear a beep.
- Switch on the appliance by pressing the **ON/OFF** button.
- The program indicator light of the current set level flashes.
- Press button **P** to select the desired hardness level (see *WATER HARDNESS TABLE*).
- Switch off the appliance by pressing the **ON/OFF** button.

Water Hardness Table				
Level		°dH German degrees	°fH French degrees	°Clark English degrees
1	Soft	0 - 6	0 - 10	0 - 7
2	Medium	7 - 11	11 - 20	8 - 14
3	Average	12 - 16	21 - 29	15 - 20
4	Hard	17 - 34	30 - 60	21 - 42
5	Very hard	35 - 50	61 - 90	43 - 62

Setting is complete!

As soon as this procedure is complete, run a program without loading.

Only use salt that has been specifically designed for dishwashers.

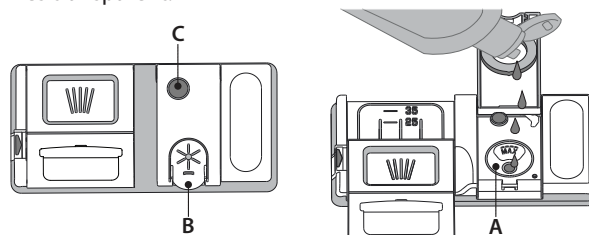
After the salt has been poured into the machine, the SALT REFILL indicator light switches off.

If the salt container is not filled, the water softener and the heating element may be damaged as a result of limescale accumulation.

Using of Salt is recommended with any type of dishwasher detergent.

FILLING THE RINSE AID DISPENSER

Rinse aid makes dish DRYING easier. The rinse aid dispenser **A** should be filled when when the dark optical indicator on the dispenser door **C** becomes transparent.



1. Open the dispenser **B** by pressing and pulling up the tab on the lid.
 2. Pour in the rinse aid (max.110 ml), making sure it does not overflow from the dispenser. If this happens, clean the spill immediately with a dry cloth.
 3. Press the lid down until you hear a click to close it.
- NEVER pour the rinse aid directly into the appliance tub.**

ADJUSTING THE DOSAGE OF RINSE AID

If you are not completely satisfied with the drying results, you can adjust the quantity of rinse aid used.

- Switch the dishwasher on using the **ON/OFF** button.
- Switch it off using the **ON/OFF** button.
- Press button **P** three times - a beep will be heard.
- Switch it on using the **ON/OFF** button.
- The program indicator light of the current set level flashes.
- Press button **P** to select the level of rinse aid quantity to be supplied.
- Switch it off using the **ON/OFF** button

Setting is complete!

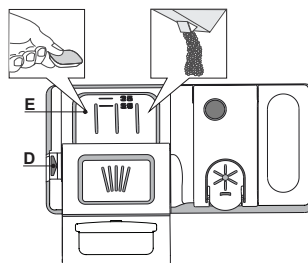
If the rinse aid level is set to 1 (ECO), no rinse aid will be supplied.

A maximum of 5 levels can be set according to the dishwasher model. The factory setting is specific to the model, please follow instruction above to check this for your machine.

- If you see bluish streaks on the dishes, set a low number (2-3).
- If there are drops of water or limescale marks on the dishes, set a mid-range number (4-5).

FILLING THE DETERGENT DISPENSER

To open the detergent dispenser use the opening device D. Introduce the detergent into the dry dispenser E only. Place the amount of detergent for pre-washing directly inside the tub.



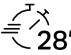



1. When measuring out the detergent refer to the mentioned earlier information to add the proper quantity. Inside the dispenser **E** there are indications to help the detergent dosing.
2. Remove detergent residues from the edges of the dispenser and close the cover until it clicks.
3. Close the lid of the detergent dispenser by pulling it up until the closing device is secured in place.

The detergent dispenser automatically opens up at the right time according to the program.

Usage of detergent not designed for dishwashers may cause malfunction or damage to the appliance.

PROGRAMS TABLE

Program		Drying phase	Duration of wash program (h:min) ^{*)}	Water consumption (litres/cycle)	Energy consumption (kWh/cycle)
1	Eco ECO 50°	✓	3:35	9.5	0.95
2	Intensive  65°	✓	2:40	18.0	1.60
3	Mixed  55°	✓	2:15	16.0	1.40
4	Fast&Clean 28'  50°	-	0:28	9.0	0.50
5	Push&GO  50°	✓	1:30	11.5	1.30

ECO program data is measured under laboratory conditions according to European Standard EN 60436:2020.

Note for Test Laboratories:

For information on comparative EN testing conditions, please send an email to the following address: dw_test_support@whirlpool.com

Pre-treatment of the dishes is not needed before any of the programs.

*) Values given for programmes other than the eco programme are indicative only. The actual time may vary depending on many factors such as temperature and pressure of the incoming water, room temperature, amount of detergent, quantity and type of load, load balancing, additional selected options and sensor calibration. The sensor calibration can increase program duration up to 20 min.

PROGRAMS DESCRIPTION

Instructions on wash cycle selection.

1 ECO

Eco program is suitable to clean normally soiled tableware, that for this use, it is the most efficient program in terms of its combined energy and water consumption, and that it is used to assess compliance with the EU Ecodesign legislation.

2 INTENSIVE

Program recommended for heavily soiled crockery, especially suitable for pans and saucepans (not to be used for delicate items).

3 MIXED

Mixed soil. For normally soiled dishes with dried food residues.

4 FAST&CLEAN 28'

Program to be used for half load of lightly-soiled dishes with no dried food residues. Does not have drying phase.

5 PUSH&GO

Everyday wash and dry cycle that ensures great cleaning performance in a short time without the need to pre-treat dishes.

Notes:

Please note that cycle *Fast&Clean 28'* is dedicated for lightly soiled dishes.

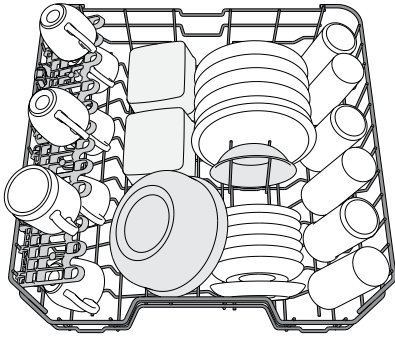
PUSH&GO

Push&Go (P) button is an easily distinguishable button that allows you direct access to the Push&Go program, a wash and dry cycle that ensures great cleaning performance in a short time. You don't have to worry which program to choose, Push&Go cycle will do the work for you.

To select Push&Go program, switch on appliance, press only P button for 3 seconds (corresponding indicator lights up) and close the door within 4 seconds.

LOADING THE RACKS

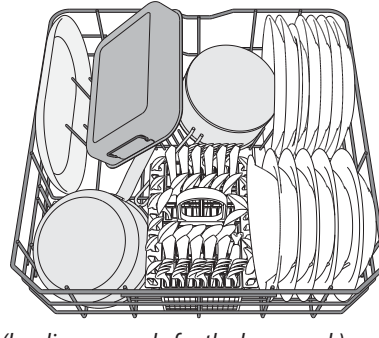
UPPER RACK



(loading example for the upper rack)

Load delicate and light dishes: glasses, cups, saucers, low salad bowls.

LOWER RACK



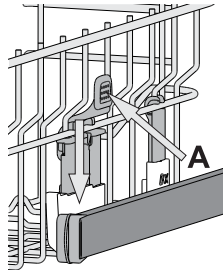
(loading example for the lower rack)

For pots, lids, plates, salad bowls, cutlery etc... Large plates and lids should ideally be placed at the sides to avoid interferences with the spray arm.

ADJUSTING THE HEIGHT OF THE UPPER RACK

The height of the upper basket can be adjusted: high position to place bulky crockery in the lower basket and low position to make the most of the tip-up compartments by creating more space upwards.

The upper rack is equipped with a **Upper Rack height adjuster** (see figure), without pressing the levers, lift it up by simply holding the rack sides, as soon as the rack is stable in its upper position. To restore to the lower position, press the levers (**A**) at the sides of the rack and move the basket downwards.



We strongly recommend that you do not adjust the height of the rack when it is loaded.

NEVER raise or lower the basket on one side only.

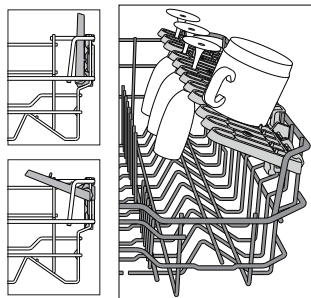
FOLDABLE FLAPS WITH ADJUSTABLE POSITION

The side foldable flaps can be fold or unfold to optimize the arrangement of crockery inside the rack.

Wine glasses can be placed safely in the foldable flaps by inserting the stem of each glass into the corresponding slots.

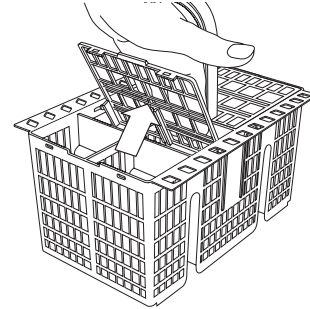
Depending on the model:

- to unfold the flaps there is needed to slide it up and rotate or release it from the snaps and pull it down.
- to fold the flaps there is needed to rotate it and slide flaps down or pull it up and attach flaps to the snaps.



CUTLERY BASKET

The basket is equipped with top grilles for improved cutlery arrangement. The cutlery basket should be positioned only at the front of the lower rack.



Knives and other utensils with sharp edges must be placed in the cutlery basket with the points facing downwards or they must be positioned horizontally in the tip-up compartments on the upper rack.

DAILY USE

1. CHECK WATER CONNECTION

Check that the dishwasher is connected to the water supply and that the tap is open.

2. SWITCH ON THE DISHWASHER

Open the door and press the **ON/OFF** button.

3. LOAD THE RACKS (see *LOADING THE RACKS*)

4. FILLING THE DETERGENT DISPENSER

5. CHOOSE THE PROGRAM AND CUSTOMISE THE CYCLE

Select the most appropriate program in accordance with the type of crockery and its soiling level (see *PROGRAMS DESCRIPTION*) by pressing the **P** button.

6. START

Start the wash cycle by pressing **START/Pause** button (led is lit) and closing the door within 4 sec. When the program starts you hear a single beep. If the door was not closed within 4sec., the alarm sound will be played. In this case, open the door, press **START/Pause** button and close the door again within 4 sec.

7. END OF WASH CYCLE

The end of the wash cycle is indicated by beeps and by the flashing of the indicator light of the selected program. Open the door and switch off the appliance by pressing the **ON/OFF** button.

Wait for a few minutes before removing the crockery - to avoid burns. Unload the racks, beginning with the lower one.

The machine will switch off automatically during certain extended periods of inactivity, in order to minimise electricity consumption. If the crockery is only lightly soiled or if it has been rinsed with water before being placed in the dishwasher, reduce the amount of detergent used accordingly.

MODIFYING A RUNNING PROGRAM

If a wrong program was selected, it is possible to change it, provided that it has only just begun: open the door, press and hold the **ON/OFF** button, the machine will switch off.

Switch the machine back on using the **ON/OFF** button and select the new wash cycle and any desired options; Start the wash cycle by pressing **START/Pause** button and closing the door within 4 sec.

ADDING EXTRA CROCKERY

Without switching off the machine, open the door (**START/Pause** led starts blinking) (**be ware of HOT steam!**) and place the crockery inside the dishwasher. Press the **START/Pause** button and close the door within 4 sec., the cycle will resume from the point at which it was interrupted.

ACCIDENTAL INTERRUPTIONS

If the door is opened during the wash cycle, or if there is a power cut, the cycle stops. Press the **START/Pause** button and close the door within 4 sec., the cycle will resume from the point at which it was interrupted.

ADVICE AND TIPS

TIPS

Before loading the baskets, remove all food residues from the crockery and empty the glasses. **You do not need to rinse beforehand under running water.**

Arrange the crockery so that it is held in place firmly and does not tip over; and arrange the containers with the openings facing downwards and the concave/convex parts placed obliquely, thus allowing the water to reach every surface and flow freely.

Warning: lids, handles, trays and frying pans do not prevent the sprayer arms from rotating.

Place any small items in the cutlery basket.

Very soiled dishes and pans should be placed in the lower basket because in this sector the water sprays are stronger and allow a higher washing performance.

After loading the appliance, make sure that the sprayer arms can rotate freely.

UNSUITABLE CROCKERY

- Wooden crockery and cutlery.
- Delicate decorated glasses, artistic handicraft and antique crockery. Their decorations are not resistant.
- Parts in synthetic material which do not withstand high temperatures.
- Copper and tin crockery.
- Crockery soiled with ash, wax, lubricating grease or ink.

The colours of glass decorations and aluminium/silver pieces can change and fade during the washing process. Some types of glass (e.g. crystal objects) can become opaque after a number of wash cycles too.

DAMAGE TO GLASS AND CROCKERY

- Only use glasses and porcelain guaranteed by the manufacturer as dishwasher safe.
- Use a delicate detergent suitable for crockery
- Collect glasses and cutlery from the dishwasher as soon as the wash cycle is over.

TIPS ON ENERGY SAVING

- When the household dishwasher is used according to the manufacturer's instructions, **washing tableware in a dishwasher usually consumes less energy and water than hand dishwashing.**
- In order to maximize dishwasher efficiency it is recommended to **initiate the wash cycle once dishwasher is fully loaded.** Loading the household dishwasher up to the capacity indicated by the manufacturer will contribute to energy and water savings. Information on correct loading of tableware can be found in Loading chapter. In case of partial loading it is recommended to use dedicated wash options if available (Half load/ Zone Wash, Multizone), filling up only selected racks. Incorrect loading or overloading the dishwasher may increase resources usage (such as water, energy and time, as well as increase noise level), reducing cleaning and drying performance.
- Manual pre-rinsing of tableware items leads to increased water and energy consumption and is not recommended.

HYGIENE

To avoid odour and sediment which can be accumulated in the dishwasher **please run a high temperature program at least one a month.** Use a tea spoon of detergent and run it without the loading to clean your appliance.

CARE AND MAINTENANCE

CLEANING THE FILTER ASSEMBLY

Regularly clean the filter assembly so that the filters do not clog and that the waste water flows away correctly.

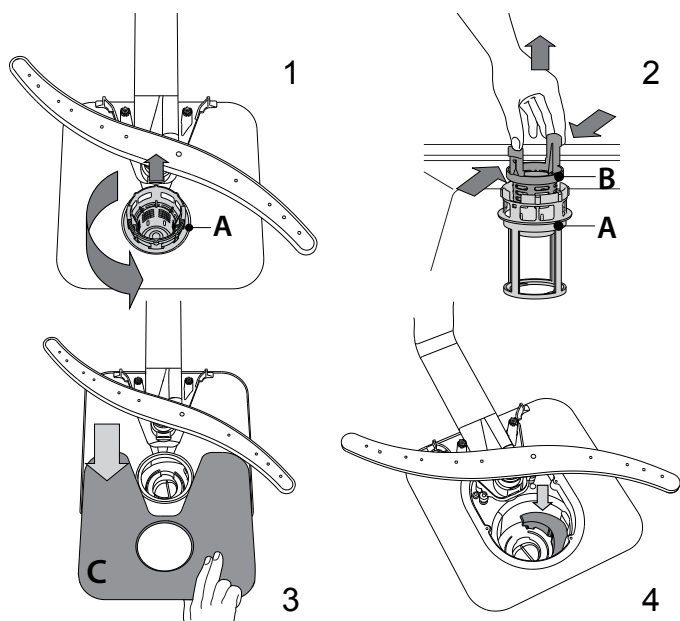
Using dishwasher with clogged filters or foreign objects inside filtration system or sprayarms may cause unit malfunction resulting in lose of performance, noisy work or higher resources usage.

The filter assembly consists of three filters which remove food residues from the washing water and then recirculate the water.

The dishwasher must not be used without filters or if the filter is loose.

At least once per month or after each 30 cycles, check the filter assembly and if necessary clean it thoroughly under running water, using a non-metallic brush and following the instructions below:

1. Turn the cylindrical filter **A** in an anti-clockwise direction and pull it out (Fig 1).
2. Remove the cup filter **B** by exerting a slight pressure on the side flaps (Fig 2).
3. Slide out the stainless-steel plate filter **C** (Fig 3).
4. In case you find foreign objects (such as broken glass, porcelain, bones, fruit seeds etc.) **please remove them carefully**.
5. Inspect the trap and remove any food residues. **NEVER REMOVE** the wash-cycle pump protection (black detail) (Fig 4).



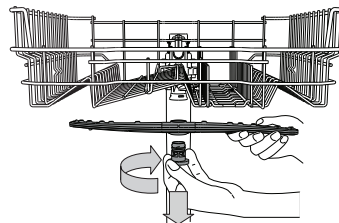
After cleaning the filters, re-place the filter assembly and fix it in position correctly; this is essential for maintaining the efficient operation of the dishwasher.

CLEANING THE WATER INLET HOSE

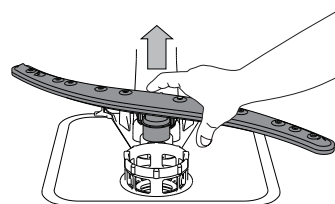
If the water hoses are new or have not been used for an extended period of time, let the water run to make sure it is clear and free of impurities before performing the necessary connections. If this precaution is not taken, the water inlet could become blocked and damage the dishwasher.

CLEANING THE SPRAY ARMS

On occasions, food residue may become encrusted onto the spray arms and block the holes used to spray the water. It is therefore recommended that you check the arms from time to time and clean them with a small non-metallic brush.



To remove the upper spray arm, turn the plastic locking ring in a clockwise direction. The upper spray arm should be replaced so that the side with the greater number of holes is facing upwards.



The lower spray arm may be removed by pulling it upwards.

WATER SOFTENING SYSTEM

Water softener automatically reduces water hardness, consequently preventing scale buildup on heater, contributing also to better cleaning efficiency.

This system regenerates itself with salt, therefore it is required to refill salt container when empty.


Frequency of regeneration depends on water hardness level setting regeneration takes place once per **6** Eco cycles with water hardness level set to **3**.

Regeneration process starts in final rinse and finishes in drying phase, before cycle ends.

- Single regeneration consumes: ~3.5L of water;
- Takes up to 5 additional minutes for the cycle;
- Consumes below 0.005kWh of energy.

TROUBLESHOOTING

In case your dishwasher doesn't work properly, check if the problem can be solved by going through the following list. For other errors or issues please contact authorized After-sales Service which contact details can be found in the warranty booklet. Spare parts will be available for a period of either up to 7 or up to 10 years, according to the specific Regulation requirements.

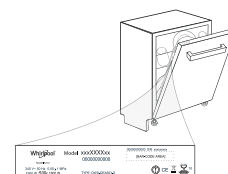
PROBLEMS	POSSIBLE CAUSES	SOLUTIONS
 Salt indicator is lit	Salt reservoir is empty. (After refill the salt indicator may remain lit for several wash cycles).	Refill reservoir with salt (for more information - see page 2). Adjust water hardness - see table, page 2.
The dishwasher won't start or does not respond to commands.	The appliance has not been plugged in properly.	Insert the plug into the socket.
	Power outage.	For safety reasons, dishwasher will not re-start automatically when power returns. Open dishwasher door, press Start button and close the door within 4 seconds.
	The dishwasher door is not closed.	Vigorously push the door until you hear the "click".
	Cycle is interrupted by door opening for more than 4 seconds.	Press START/Pause and close the door within 4 seconds.
The dishwasher won't drain.	It does not respond to commands.	Switch off the appliance by pressing the ON/OFF button, switch it back on after approximately one minute and restart the program. If problem persists, unplug the appliance for 1 minute, then plug it back in.
	The wash cycle has not finished yet.	Wait until the wash cycle finishes.
	The drain hose is bent.	Check that the drain hose is not bent (see <i>INSTALLATION INSTRUCTION</i>).
	The sink drain pipe is blocked.	Clean the sink drain pipe.
The dishwasher makes excessive noise.	The filter is clogged up with food residues.	Clean the filter (see <i>CLEANING THE FILTER ASSEMBLY</i>).
	The dishes are rattling against each other.	Position the crockery correctly (see <i>LOADING THE RACKS</i>).
The dishes are not clean.	An excessive amount of foam has been produced.	The detergent has not been measured out correctly or it is not suitable for use in dishwashers (see <i>FILLING THE DETERGENT DISPENSER</i>). Restart the current cycle by switching OFF the dishwasher, then switch it on again, select a new program, press START/Pause and close the door within 4 seconds. Please do not add any detergent.
	The crockery has not been arranged properly.	Arrange the crockery correctly (see <i>LOADING THE RACKS</i>).
	The spray arms cannot rotate freely, being hindered by the dishes.	Arrange the crockery correctly (see <i>LOADING THE RACKS</i>).
	The wash cycle is too gentle.	Select an appropriate wash cycle (see <i>PROGRAMS TABLE</i>).
	An excessive amount of foam has been produced.	The detergent has not been measured out correctly or it is not suitable for use in dishwashers (see <i>FILLING THE DETERGENT DISPENSER</i>).
	The cap on the rinse aid compartment has not been shut correctly.	Make sure the cap of the rinse aid dispenser is closed.
The dishwasher does not fill the water. All LEDs are blinking rapidly	The filter is soiled or clogged.	Clean the filter assembly (see <i>CARE AND MAINTENANCE</i>).
	There is no salt.	Fill the salt reservoir (see <i>FILLING THE SALT RESERVOIR</i>).
	No water in the water supply or the tap is closed.	Make sure there is water in the water supply or the tap running.
Dishwasher finishes the cycle prematurely.	The inlet hose is bent.	Make sure the inlet hose is not bent (see <i>INSTALLATION</i>) reprogram the dishwasher and reboot.
	The sieve in the water inlet hose is clogged; it is necessary to clean it	After having carried out the verification and cleaning, turn off and turn on the dishwasher and restart a new program.
Dishwasher finishes the cycle prematurely.	Drain hose positioned too low or siphoning into home sewage system.	Check if end of drain hose is placed at correct height (see <i>INSTALLATION</i>). Check for siphoning into home sewage system, install air admittance valve if necessary.
	Air in water supply.	Check water supply for leaks or other issues letting air inside.



Policies, standard documentation, ordering of spare parts and additional product information can be found by:

- Visiting our website docs.indesit.eu and parts-selfservice.whirlpool.com
- Using QR Code
- Alternatively, **contact our After-sales Service** (See phone number in the warranty booklet). When contacting our After-sales Service, please state the codes provided on your product's identification plate.

The model information can be retrieved using the QR-Code reported in the energy label. The label also includes the model identifier that can be used to consult the portal of the registry at <https://eprel.ec.europa.eu>



400011652613B

01/2023 ks - Xerox Fabriano



РЪКОВОДСТВО ЗА ВСЕКИДНЕВНА СПРАВКА



БЛАГОДАРИМ ВИ, ЧЕ ЗАКУПИХТЕ ПРОДУКТ НА INDESIT. За да получавате по-пълно съдействие, регистрирайте Вашия уред на: www.indesit.com/register

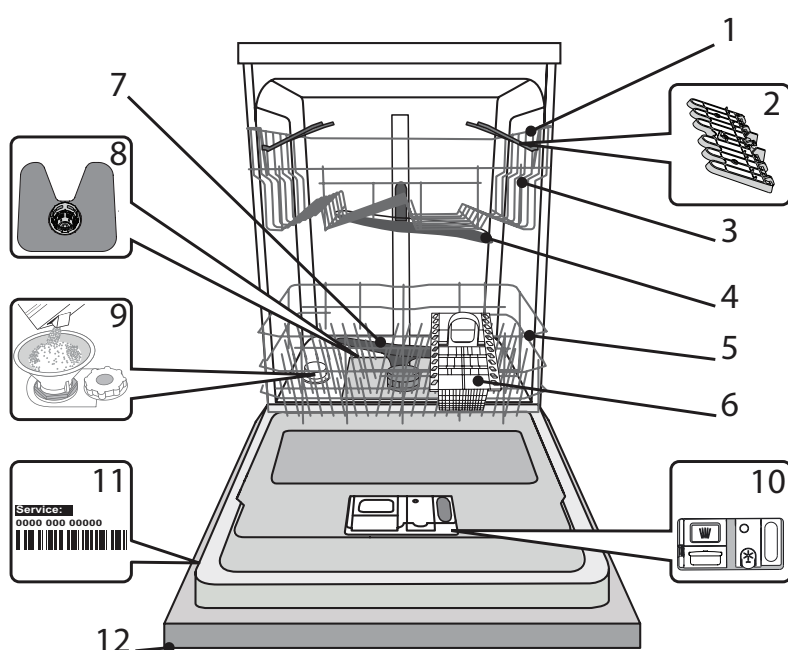


Можете да изтеглите Инструкциите за безопасност и Ръководството за потребителя, като посетите нашия уебсайт docs.indesit.eu и следвайте указанията на задната корица на тази книжка.

Преди да използвате уреда, прочетете внимателно Инструкциите за безопасност.

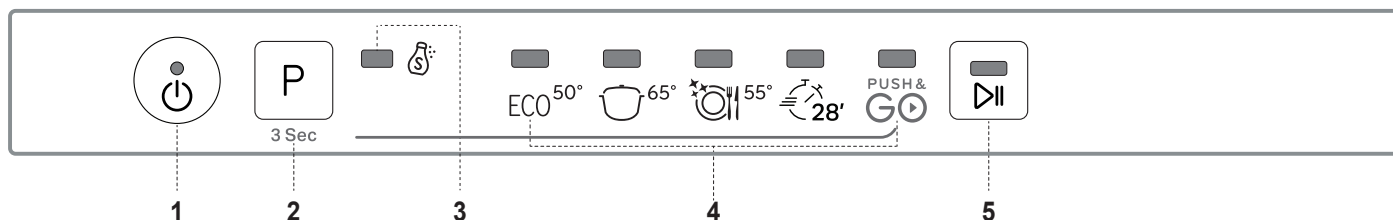
ОПИСАНИЕ НА ПРОДУКТА

УРЕД



1. Горна кошница
2. Сгъваеми капаци
3. Регулатор за височината на горната кошница
4. Горно разпръскващо рамо
5. Долна кошница
6. Кошничка за прибори
7. Долно разпръскващо рамо
8. Филтърен възел
9. Резервоар за сол
10. Дозатори за препарат и помощно средство за изплакване
11. Табелка с данни
12. Контролен панел

КОНТРОЛЕН ПАНЕЛ



1. Бутон Вкл.-Изкл./Нулиране със светлинен индикатор
2. Бутон за избиране на програма/ Push&GO
3. Светлинен индикатор за зареждане на сол
4. Светлинни индикатори за програми
5. Бутон СТАРТ/Пауза със светлинен индикатор

УПОТРЕБА ЗА ПРЪВ ПЪТ

СОЛ, ПОМОЩНО СРЕДСТВО ЗА ИЗПЛАКВАНЕ И ПОЧИСТВАЩ ПРЕПАРАТ

СЪВЕТИ ЗА УПОТРЕБА ЗА ПЪРВИ ПЪТ

След монтаж отстранете блокиращите елементи от кошниците и задържащите ластици от горната кошница.

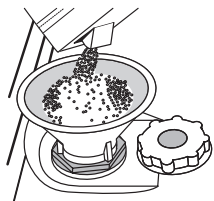
ЗАРЕЖДАНЕ НА РЕЗЕРВОАРА ЗА СОЛ

Използването на сол предотвратява образуването на КОТЛЕН КАМЪК по съдовете и функционалните компоненти на машината.

• Задължително е **РЕЗЕРВОАРЪТ ЗА СОЛ НИКОГА ДА НЕ ОСТАВА ПРАЗЕН**.

• Важно е да зададете твърдостта на водата.

Резервоарът за сол се намира в долната част на миялната машина (вж. „ОПИСАНИЕ НА ПРОДУКТА“) и трябва да се допълва, когато **индикаторът ДОПЪЛВАНЕ НА СОЛ** на контролния панел светне.



1. Отстранете долната кошница и развийте капачката на резервоара (обратно на часовниковата стрелка).
2. **Само първия път правите това: напълнете резервоара за сол с вода.**
3. Поставете фунията (вж. фигурата) и напълнете резервоара за сол до ръба (около 1 kg); Не е необичайно да изтече малко вода.
4. Отстранете фунията и забършете остатъците от сол от отвора.

Уверете се, че капачката е завита здраво, така че по време на програмата за миене препаратът да не може да влезе в резервоара (това може да повреди непоправимо омекотителя за вода).

Когато е необходимо да добавите сол, е задължително да направите това преди започване на цикъла на измиване, за да се избегне корозия.

НАСТРОЙВАНЕ НА ТВЪРДОСТТА НА ВОДАТА

За да може омекотителят за вода да работи идеално, е особено важно настройката за твърдостта на водата да се базира на реалната твърдост на водата в дома ви. Можете да получите тази информация от местния си доставчик на вода.

Нивото по подразбиране за твърдост на водата е фабрично зададено.

- Включете уреда, като натиснете бутона **ВКЛ./ИЗКЛ.**
- Изключете уреда, като натиснете бутона **ВКЛ./ИЗКЛ.**
- Натиснете и задръжте бутона **Р** за 5 секунди, докато чуete звуков сигнал.
- Включете уреда, като натиснете бутона **ВКЛ./ИЗКЛ.**
- Светлинният индикатор за програма на текущо настроеното ниво мига.
- Натиснете бутона **Р**, за да изберете желаното ниво на твърдост (вж. ТАБЛИЦА НА ТВЪРДОСТТА НА ВОДАТА).

Ниво	°dH Германски градуси	°fH Френски градуси	°Clark Английски градуса	
1	Мека	0 - 6	0 - 10	0 - 7
2	Умерена	7 - 11	11 - 20	8 - 14
3	Средна	12 - 16	21 - 29	15 - 20
4	Твърда	17 - 34	30 - 60	21 - 42
5	Много твърда	35 - 50	61 - 90	43 - 62

• Изключете уреда, като натиснете бутона **ВКЛ./ИЗКЛ.**

Настройката е завършена!

Веднага след завършването на процедурата пуснете програмата без съдове.

Използвайте само сол, която е предназначена специално за съдомиялни машини.

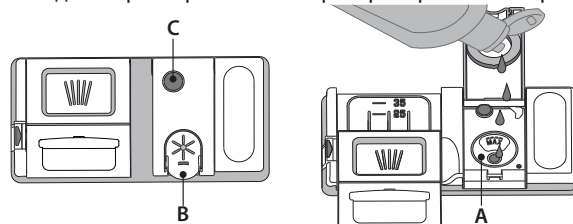
След като поставите сол в машината, светлинният индикатор **ЗАРЕЖДАНЕ НА СОЛ** се изключва.

Ако контейнерът за сол не бъде напълнен, възможно е в резултат на натрупване на варовик да се повреди омекотителят за вода и нагревателният елемент.

Използването на сол е препоръчително с всякакъв тип миялен препарат.

ЗАРЕЖДАНЕ НА ДОЗАТОРА ЗА ПОМОЩНО СРЕДСТВО ЗА ИЗПЛАКВАНЕ

Използването на препарат за изплакване улеснява СУШЕНЕТО. Резервоарът за препарат за изплакване **А** трябва да се напълни, когато черният индикатор на вратичката на резервоара **С** стане прозрачен.



1. Отворете дозатора **В**, като натиснете и дръпнете нагоре издатината на капачката.
2. Внимателно добавете помощното средство за изплакване до максималната (110 ml) референтна маркировка на мястото за пълнене - избягвайте да разливате. Ако това се случи, почистете разливането незабавно със суха кърпа
3. Натиснете капачката надолу, докато чуete щракване, за да го затворите. **НИКОГА не наливайте помощното средство за изплакване направо във ваничката.**

РЕГУЛИРАНЕ НА ДОЗИРАНЕТО НА ПОМОЩНОТО СРЕДСТВО ЗА ИЗПЛАКВАНЕ

Ако не сте напълно доволни от резултатите от сушенето, можете да регулирате използваното количество помощно средство за изплакване.

• Включете съдомиялната машина с бутона **ВКЛ./ИЗКЛ.**

• Изключете я с бутона **ВКЛ./ИЗКЛ.**

• Натиснете бутона **Р** три пъти - ще чуete звуков сигнал.

• Включете я с бутона **ВКЛ./ИЗКЛ.**

• Светлинният индикатор за програма на текущо настроеното ниво мига.

• Натиснете бутона **Р**, за да изберете желаното ниво на количеството помощно средство за изплакване.

• Изключете я с бутона **ВКЛ./ИЗКЛ.**

Настройката е завършена!

Ако нивото на помощното средство за изплакване е зададено на 1 (ЕКО), няма да се подава помощно средство за изплакване.

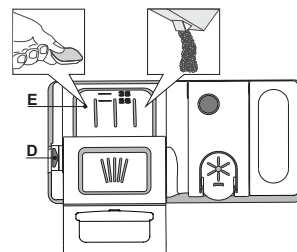
Според модела на съдомиялната машина могат да се задават максимум 5 нива. Фабричната настройка е специфична за всеки модел; следвайте инструкциите по-горе, за да проверите относно ли се настройката за Вашата машина.

• Ако видите синкави петна по съдовете, задайте нисък номер (2-3).

• Ако по съдовете има капки вода или следи от котлен камък, задайте висок номер (4-5).

ЗАРЕЖДАНЕ НА ДОЗАТОРА ЗА МИЯЛЕН ПРЕПАРАТ

За да отворите дозатора за препарат, използвайте приспособление **Д**. Налейте препаратата само в сухия дозатор **Е**. Поставете количеството препарат за предварително измиване направо във ваничката.



1. При измерване на препаратата правете справка със споменатата информация по-горе, за да добавите подходящо количество. в дозатора **Е** има индикатори, за да помогнат за дозирането на миялния препарат.

2. Отстранете остатъците от препарат от ръбовете на дозатора и затворете капачката, докато щракне.

3. Затворете капачката на дозатора за препарат, като го дръпнете нагоре, докато приспособлението за затваряне се закрепва на място.

Дозаторът за препарат се отваря автоматично в правилния момент според програмата.

Използването на миялен препарат, който не е предназначен за съдомиялни машини, може да причини неизправност или повреда на уреда.

ТАБЛИЦА НА ПРОГРАМИТЕ

Програма	Фаза на сушене	Времетраене на програмата за миене (ч:мин) ^{*)}	Потребление на вода (литра/програма)	Потребление на енергия (kWh/програма)
1. Еко ECO 50°	✓	3:35	9,5	0,95
2. Интензивна  65°	✓	2:40	18,0	1,60
3. Смесени  55°	✓	2:15	16,0	1,40
4. Fast&Clean 28'  50°	-	0:28	9,0	0,50
5. Push&GO  50°	✓	1:30	11,5	1,30

Данните за програмата ЕКО са измерени в лабораторни условия съгласно Европейски стандарт EN 60436:2020.

Бележки за тестовите лаборатории: за информация относно сравнимите с EN тестови условия изпратете имейл на следния адрес: dw_test_support@whirlpool.com

Не е необходимо предварително третиране на съдовете преди пускане на която и да било програма.

*) Стойностите, дадени за програмите, с изключение на програмата Еко, са само ориентировъчни. Реалното време може да се различава в зависимост от множество фактори, като температурата и налягането на подаваната вода, температурата в помещението, количеството препарат, количеството и вида на зареждането, балансирането на зареждането, допълнителните избрани опции и калибрирането на сензора. Калибрирането на сензора може да увеличи продължителността на програмата с до 20 мин.

ОПИСАНИЕ НА ПРОГРАМИТЕ

Указания за избор на програма за миене.

1 ЕКО

Програмата Еко е подходяща за почистване на нормално замърсена домакинска посуда, като използвана по този начин, програмата е най-ефективна по отношение на комбинираното потребление на енергия и вода и отговаря на законодателството на ЕС по отношение на екологичния дизайн.

2 ИНТЕНЗИВНА

Програма, препоръчвана за силно замърсени съдове, особено подходяща за тигани и тенджери (да не се използва за фини изделия).

3 СМЕСЕНИ

Смесени замърсявания. За нормално замърсени съдове със засъхнали остатъци от храна.

4 FAST&CLEAN 28'

Програма, която да се използва при наполовина пълна съдомиялна или леко замърсени съдове без засъхнали остатъци от храна. Няма фаза на сушене.

5 PUSH&GO

Ежедневна програма за измиване и изсушаване, която осигурява висока ефективност на почистване за кратко време, без да е необходимо предварително третиране на съдовете.

Забележки:

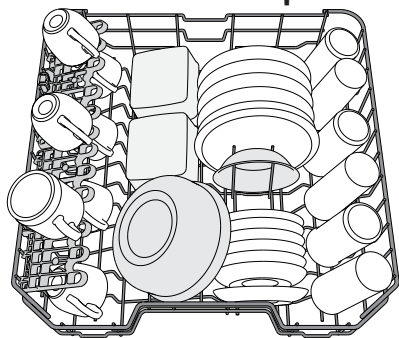
Имайте предвид, че програмата *Fast&Clean 28'* е предназначена за леко замърсени съдове.

PUSH&GO

Бутонът Push&GO (P) е лесно разпознаваем бутон, който Ви дава директен достъп до програмата Push&GO, която служи за измиване и изсушаване на съдовете и осигурява висока ефективност на почистването за кратко време. Вие не трябва да се чудите коя програма да изберете, Push&GO ще свърши това вместо Вас. За да изберете програмата Push&GO, включете машината, натиснете за 3 секунди само бутона P (съответният индикатор светва) и затворете вратичката в рамките на 4 секунди.

ЗАРЕЖДАНЕ НА КОШНИЦИТЕ

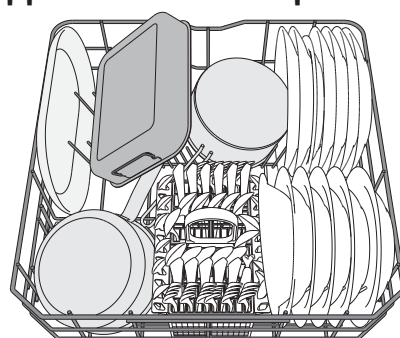
ГОРНА КОШНИЦА



(пример за зареждане на горната кошница)

Заредете деликатните и леки съдове: стъклени и порцеланови чаши, чинийки, ниски купи за салата.

ДОЛНА КОШНИЦА



(пример за зареждане на долната кошница)

За тенджери, капаци, чинии, купи за салата и т.н. Едрите чинии и капаци следва в идеалния случай да се поставят от страни, за да не възпрепятстват разпръскващото рамо.

РЕГУЛИРАНЕ НА ВИСОЧИНАТА НА ГОРНАТА КОШНИЦА

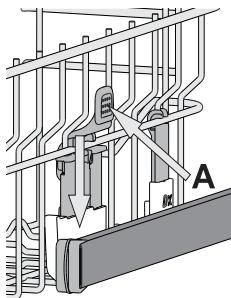
Височината на горната кошница може да се регулира: висока позиция за поставяне на обемни съдове в долната кошница и ниска позиция за пълноценно използване на наклонящите се опори, като се създава повече място нагоре и се избягва сблъскване с изделията в долната кошница.

Горната кошница е оборудвана с **Регулатор на височината на горната кошница** (вж. фигурата), без да натискате лостовете, повдигнете нагоре, като просто хванете кошницата от страни веднага след като кошницата стане стабилна в по-високата си позиция.

За да възстановите по-ниската позицията, натиснете лостовете **A** от страни на кошницата и преместете кошницата надолу.

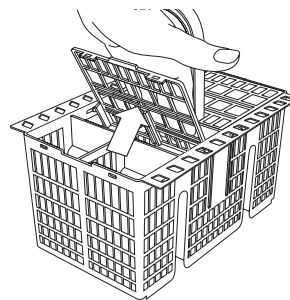
Силно препоръчваме да не регулирате височината на кошницата, когато е заредена.

НИКОГА не повдигайте или спускате кошницата само от едната страна.



КОШНИЧКА ЗА ПРИБОРИ

Оборудвана е с горни решетки за по-добро подреждане на приборите. Тя трябва да се позиционира само от предната страна на долната кошница.



Ножовете и другите прибори с остри ръбове трябва да се поставят в кошничката за прибори с остриетата надолу или да се позиционират хоризонтално в наклонящите се отделения на горната кошница.

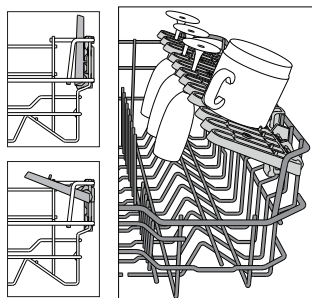
СГЪВАЕМИ КАПАЦИ С РЕГУЛИРУЕМА ПОЗИЦИЯ

Страничните капаци могат да се сгъват или разгъват, за да се оптимизира подреждането на съдовете в кошницата.

Чашите за вино могат да се поставят безопасно в сгъваемите капаци, като столчето на всяка чаша се вмъкне в съответния процеп.

В зависимост от модела:

- за да разгънете капациите, е необходимо да ги плъзнете нагоре и да ги завъртите или да ги освободите от закопчалките им и да ги издърпате надолу.
- за да сгънете капациите, е необходимо да ги завъртите и да плъзнете капациите надолу или да ги дръпнете нагоре и да ги закачите за закопчалките.



ВСЕКИДНЕВНА УПОТРЕБА

1. ПРОВЕРКА НА ВОДНАТА ВРЪЗКА

Проверете дали съдомиялната машина е свързана към водопроводната мрежа и дали кранът е отворен.

2. ВКЛЮЧЕТЕ СЪДОМИЯЛНАТА МАШИНА

Отворете вратичката и натиснете бутона **ВКЛ./ИЗКЛ.**

3. ЗАРЕДЕТЕ КОШНИЦИТЕ

(вж. **ЗАРЕЖДАНЕ НА КОШНИЦИТЕ**)

4. ЗАРЕЖДАНЕ НА ДОЗАТОРА ЗА МИЯЛЕН ПРЕПАРАТ

5. ИЗБЕРЕТЕ ПРОГРАМАТА И ПЕРСОНАЛИЗИРАЙТЕ ПРОГРАМАТА

Изберете най-подходящата програма според вида на съдовете и нивото на замърсяване (вж. **ОПИСАНИЕ НА ПРОГРАМИТЕ**) чрез натискане на бутона **P**.

Изберете желаните опции (вж. **ОПЦИИ И ФУНКЦИИ**).

6. СТАРТ

Стартирайте цикъла на измиване, като натиснете бутона **СТАРТ/Пауза** (светодиодът светва) и затворите вратичката в рамките на 4 секунди. Когато програмата стартира, се чува еднократен сигнал. Ако вратичката не бъде затворена в рамките на 4 секунди, ще се възпроизведе звукова аларма. В този случай отворете вратичката, натиснете бутона **СТАРТ/Пауза** и отново затворете вратичката в рамките на 4 секунди.

7. КРАЯТ НА ПРОГРАМАТА

Завършването на цикъла на миене се сигнализира със звуков сигнал, а върху дисплея и мига индикаторната лампа на избраната програма. Отворете вратичката и изключете уреда, като натиснете бутона **ВКЛ./ИЗКЛ.**

Изчакайте няколко минути, преди да премахнете съдовете, за да избегнете изгаряния. Извадете съдовете, като започнете от долната кошница.

Машината се изключва автоматично при определени продължителни периоди на неактивност, за да сведе до минимум потреблението на енергия.

Ако съдовете са само леко замърсени или ако са изплакнати с вода преди да се поставят в съдомиялната машина, намалете съответно количеството използван препарат.

МОДИФИЦИРАНЕ НА РАБОТЕЩА ПРОГРАМА

Ако е избрана грешна програма, можете да я промените, при условие че тя е започнала току-що: отворете вратичката, натиснете и задръжте бутона **ВКЛ./ИЗКЛ.**, машината ще се изключи. Включете машината отново с бутона **ВКЛ./ИЗКЛ.** и изберете новата програма за миене и желаните опции; стартирайте програмата, като натиснете бутона **СТАРТ/ПАУЗА** и затворите вратичката в рамките на 4 секунди.

ДОБАВЯНЕ НА СЪДОВЕ

Без да изключвате машината, отворете вратичката (светодиодът **СТАРТ/ПАУЗА** започва да мига) (**внимание с ГОРЕЩАТА пара!**) и поставете съдовете в миялната машина. Натиснете бутона **СТАРТ/ПАУЗА** и в рамките на 4 секунди затворете вратичката, програмата се възобновява от момента, в който е била прекъсната.

СЛУЧАЙНИ ПРЕКЪСВАНИЯ

Ако вратичката бъде отворена по време на програма за миене или при прекъсване на захранването, програмата спира. За да подновите програмата, откъдето е прекъсната, натиснете бутона **СТАРТ/ПАУЗА** и затворете вратичката в рамките на 4 секунди.

ПОЛЕЗНИ СЪВЕТИ

СЪВЕТИ

Преди да зареждате кошниците, отстранете всички остатъци от храна от съдовете и изпразнете чашите. **Не е нужно да изплаквате предварително с течаща вода.**

Подредете съдовете така, че да се задържат добре на място и да не се обърнат; и подредете съдовете с отворите надолу и разположете вдлъбнатите/изпъкналите части така, че водата да може да достигне всяка повърхност и да тече свободно.

Предупреждение: капациите, дръжките, подносите и тиганите за пържене трябва да не пречат на въртенето на разпръскващите рамене.

Поставете дребните артикули в кошницата за прибори. Много замърсените съдове и тенджери следва да се поставят в долната кошница, тъй като в този сектор водните струи са по-силни и позволяват по-добра ефективност при миене. След като заредите уреда, проверете дали разпръскващите рамене могат да се въртят свободно.

НЕПОДХОДЯЩИ СЪДОВЕ

- Дървени съдове и прибори.
- Деликатни чаши с декорации, артистични ръчно изработени съдове и антики. Декорациите им не са устойчиви.
- Части от синтетични материали, които не са устойчиви на високи температури.
- Медни и калаени съдове.
- Замърсени с пепел, въск, грес или мастило съдове.

Цветовите на стъклените декорации и частите от алуминий/сребро могат да се променят и да избледнеят в процеса на миене. Някои видове стъкло (напр. кристалните предмети) могат да станат непрозрачни след няколко измивания.

ПОВРЕДИ ПО ЧАШИТЕ И СЪДОВЕТЕ

- Използвайте само стъклени и порцеланови съдове, за които производителят гарантира, че са подходящи за съдомиялна машина.
- Използвайте деликатен почистващ препарат, подходящ за Вашите съдове
- Изваждайте чашите и приборите от съдомиялната машина веднага след края на програмата за миене.

СЪВЕТИ ЗА ПЕСТЕНЕ НА ЕНЕРГИЯ

- Когато домашната съдомиялна машина се използва съгласно инструкциите на производителя, **измиването на посуда в съдомиялна обикновено консумира ПО-МАЛКО ЕНЕРГИЯ И ВОДА в сравнение с миенето на ръка.**
- За да максимизирате ефективността на съдомиялната машина, **препоръчително е да стартирате цикъл на миене, след като машината е заредена докрай.** Зареждането на домашната съдомиялна машина до капацитета, посочен от производителя, ще спомогне да спестите енергия и вода. Информация относно правилното зареждане на посудата можете да намерите в глава **ЗАРЕЖДАНЕ НА КОШНИЦИТЕ**. При частично зареждане е препоръчително да използвате специално предназначения опции (Half load/ Zone Wash/ Multi-zone), като напълните само избраните кошници. Неправилното зареждане или препълване на съдомиялната машина може да увеличи потреблението на ресурси (като вода, енергия и време, както и да увеличи нивото на шум), което ще намали ефективността на измиване и сушене.
- Предварителното изплакване на посудата на ръка води до увеличено потребление на вода и енергия, затова не е препоръчително.

ХИГИЕНА

За да избегнете миризми и утайки, които могат да се натрупат в съдомиялната машина, **моля, пускайте програма при висока температура най-малко веднъж месечно.** Използвайте супена лъжица препарат и пуснете уреда без да зареждате съдове, за да го почистите.

ГРИЖИ И ПОДДРЪЖКА

ПОЧИСТВАНЕ НА ФИЛТЪРНИЯ ВЪЗЕЛ

Почиствайте филтърния възел редовно, така че филтрите да не се запушват и отпадъчната вода да се източва правилно.

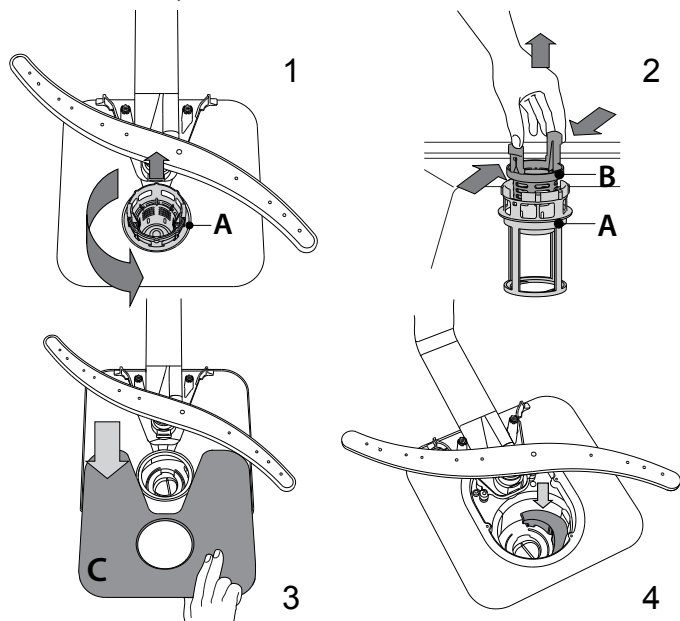
Използването на съдомиялната машина със запушени филтри или външни предмети във филтриращата система или пръскащите рамена, може да влоши работата на уреда и да доведе до намаляване на работните характеристики, шум по време на работа или повишено потребление на ресурси.

Филтърният възел се състои от три филтъра, които премахват остатъците от храна от водата от измиване и след това рециркулират водата.

Съдомиялната машина не трябва да се използва без филтри или ако филтърът е разхлабен.

Най-малко веднъж месечно или на всеки 30 цикъла проверявайте филтърния блок и при необходимост го почиствайте старателно с течаща вода, като използвате неметална четка и следвайте инструкциите по-долу:

1. Завъртете цилиндричния филтър **A** обратно на часовниковата стрелка и го издърпайте (Фиг. 1).
2. Свалете филтъра чашка **B**, като приложите лек натиск върху страничните капаци (Фиг. 2).
3. Плъзнете навън филтъра-пластина от неръждаема стомана **C** (Фиг. 3).
4. В случай че намерите външни предмети (като счупени стъкла, порцелан, кости, семена на плодове и др.), **внимателно ги отстранете**.
5. Проверете уловителя и премахнете остатъците от храна. **НИКОГА НЕ МАХАЙТЕ** предпазителя на помпата за цикъла на измиване (черния елемент) (Фиг. 4).



След почистване на филтрите поставете филтърния блок отново и го закрепете правилно на място; това е от ключово значение за поддържане на ефективната работа на съдомиялната машина.

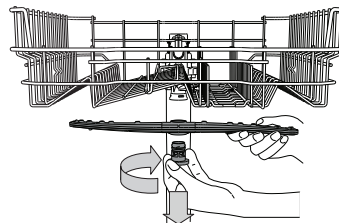
ПОЧИСТВАНЕ НА МАРКУЧА ЗА ПОДАВАНЕ НА ВОДА

Ако маркучите за вода са нови или не са използвани продължително време, оставете водата да тече, за да се уверите, че е прозрачна и без замърсявания, преди да изпълнявате нужните връзки. Ако тази предпазна мярка не бъде взета, входът за вода може да се блокира и да повреди съдомиялната машина.

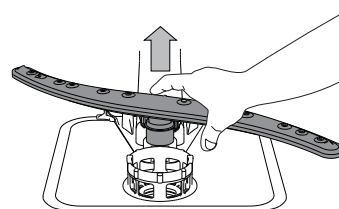
ПОЧИСТВАНЕ НА РАЗПРЪСКВАЩИТЕ РАМЕНЕ

Понякога остатъците от храна е възможно да засъхнат върху разпръскващите рамена и да запушат отворите за разпръскване на вода. Следователно се препоръчва да проверявате раменете от време на време и да ги почиствате с малка неметална четка.

За да премахнете горното разпръскващо рамо, завъртете



сваляне на горното рамо за пръскане, завъртете пластмасовия заключващ пръстен по посока на часовниковата стрелка. Горното разпръскващо рамо следва да се поставя така, че страната с по-голям брой отвори да е насочена нагоре.



Можете да свалите долното разпръскващо рамо, като го издърпате нагоре.

СИСТЕМА ЗА ОМЕКОТЯВАНЕ НА ВОДАТА

Омекотителят за вода намалява автоматично твърдостта на водата, като по този начин предотвратява натрупването на варовик по нагревателя и повишава ефективността при почистване.


Системата се регенерира сама със сол, затова е необходимо да допълвате контейнера със сол, когато се изпразни.

Честотата на регенериране зависи от настройката на нивото на твърдост на водата - регенерирането се извършва веднъж на всеки 6 цикъла Есо с ниво на твърдост на водата, зададено на 3. Процесът на регенериране започва във фазата на последното изплакване и завършва във фазата на сушене, преди цикълът да завърши.

- Едно регенериране използва: ~3,5 литра вода;
- Към цикъла се добавят 5 допълнителни минути;
- Консумират се по-малко от 0,005 kWh енергия.

ОТСТРАНЯВАНЕ НА НЕИЗПРАВНОСТИ

В случай че съдомиялната машина не работи нормално, проверете дали проблемът може да бъде решен, като прегледате следния списък. За други грешки или неизправности се свържете с отдела за следпродажбено обслужване, като данните за контакт можете да намерите в книжката за гаранцията. Резервните части ще бъдат налични за период от 7 или до 10 години, в съответствие със специфичните изисквания на регламента.

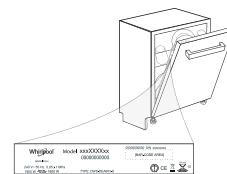
ПРОБЛЕМИ	ВЪЗМОЖНИ ПРИЧИНИ	РЕШЕНИЯ
 Индикаторът за сол свети	Резервоарът за сол е празен. (След допълване на сол индикаторът може да остане да свети още няколко цикъла на миене).	Напълнете отново резервоара със сол (за повече информация – вж. стр. 2). Регулирайте твърдостта на водата – вижте таблицата, стр. 2.
Съдомиялната машина не стартира или не реагира на команди.	Уредът не е включен в контакта както трябва.	Включете щепсела в контакта.
	Спиране на захранването.	От съображения за безопасност съдомиялната машина може да не стартира автоматично след пускане на електрозахранването. Отворете вратичката, натиснете бутона СТАРТ/Пауза и затворете вратичката в рамките на 4 секунди.
	Вратичката на съдомиялната не е затворена.	Натиснете вратичката силно, докато чуete щракване.
	Цикълът е прекъснат от отваряне на вратичката за повече от 4 секунди.	Натиснете СТАРТ/Пауза и затворете вратичката в рамките на 4 секунди.
Съдомиялната машина не източва.	Програмата все още не е завършила.	Изчакайте програмата да завърши.
	Маркучът за източване е прегънат.	Проверете дали маркучът за източване не е прегънат (вж. ИНСТРУКЦИЯ ЗА МОНТАЖ).
	Тръбата за източване на мивката е запушена.	Почистете тръбата за източване на мивката.
	Филтърът е запушен с остатъци от храна	Почистете филтъра (вж. ПОЧИСТВАНЕ НА ФИЛТЪРНИЯ МЕХАНИЗЪМ).
Съдомиялната създава прекомерно много шум.	Съдовете тракат един в друг.	Подредете съдовете правилно (вж. ЗАРЕЖДАНЕ НА КОШНИЦИТЕ).
	Създадо се е прекалено голямо количество пяна.	Препаратът не е измерен правилно или не е подходящ за използване в съдомиялни машини (вж. ДОПЪЛВАНЕ НА ДОЗАТОРА ЗА ПОЧИСТВАЩ ПРЕПАРАТ). Рестартирайте текущия цикъл, като изключите и отново включите съдомиялната машина, изберете нова програма, натиснете СТАРТ/Пауза и затворете вратичката в рамките на 4 секунди. Не добавяйте никакъв измиващ препарат.
Съдовете не са почистени.	Съдовете не са подредени както трябва.	Подредете съдовете правилно (вж. ЗАРЕЖДАНЕ НА КОШНИЦИТЕ).
	Разпръскващите рамене не могат да се въртят свободно, тъй като са възпрепятствани от съдовете.	Подредете съдовете правилно (вж. ЗАРЕЖДАНЕ НА КОШНИЦИТЕ).
	Цикълът на измиване е твърде лек.	Изберете подходящ цикъл на измиване (вж. ТАБЛИЦА С ПРОГРАМИ).
	Създадо се е прекалено голямо количество пяна.	Препаратът не е измерен правилно или не е подходящ за използване в съдомиялни машини (вж. ДОПЪЛВАНЕ НА ДОЗАТОРА ЗА ПОЧИСТВАЩ ПРЕПАРАТ).
	Капачката на отделението за помощно средство за изплакване не е затворена правилно.	Уверете се, че капачката на дозатора за помощно средство за изплакване е затворена.
	Филтърът е замърсен или запушен.	Почистете филтърния механизъм (вж. ГРИЖА И ПОДДРЪЖКА).
Съдомиялната машина не зарежда вода. Всички светодиоди са мига бързо	Не се подава вода или кранът е затворен.	Уверете се, че се подава вода или кранът е отворен.
	Маркучът за подаване на вода е прегънат.	Уверете се, че маркучът за подаване на вода не е прегънат (вижте ИНСТАЛИРАНЕ), включете нова програма на съдомиялната и я рестартирайте.
	Мрежестият филтър в маркуча за подаване на вода е запушен; необходимо е да го почистите.	След изпълняване на проверката и почистването изключете и включете съдомиялната машина и рестартирайте нова програма.
Съдомиялната машина спира цикъла преждевременно.	Маркучът за източване е поставен твърде ниско или водата се източва в домашната канализационна система.	Проверете дали краят на маркуча за източване е поставен на правилната височина (вижте ИНСТАЛИРАНЕ). Проверете за източване в домашната канализационна система и ако е необходимо, монтирайте въздушен вентил.
	Въздух в системата за подаване на вода.	Проверете системата за подаване на вода за течове или други проблеми, водещи до навлизане на въздух.

Фирмени политики, стандартна документация, поръчка на резервни части и допълнителна информация за продукти можете да намерите на:



- Посетете нашия уебсайт: docs.indesit.eu и parts-selfservice.whirlpool.com
- Използвайте QR кода
- Като алтернатива можете да се свържете с отдела за следпродажбено обслужване (вижте телефонния номер в гаранционната книжка). При контакт с отдела за следпродажбено обслужване на клиенти съобщавайте кодовете, посочени на заводската табелка на Вашия уред.

Информацията за модела може да бъде извлечена чрез сканиране на QR-кода на етикета за енергийния клас. На етикета също така е даден идентификатор на модела, който може да се използва за достъп до портала на регистъра на адрес <https://eprel.ec.europa.eu>.



400011652613B

01/2023 ks - Xerox Fabriano



BEDIENUNGSANLEITUNG GUIDE



DANKE, DASS SIE SICH FÜR EIN INDESIT PRODUKT ENTSCHEIDEN HABEN.

Für eine umfassendere Unterstützung melden Sie Ihr Gerät bitte an unter: www.indesit.com/register

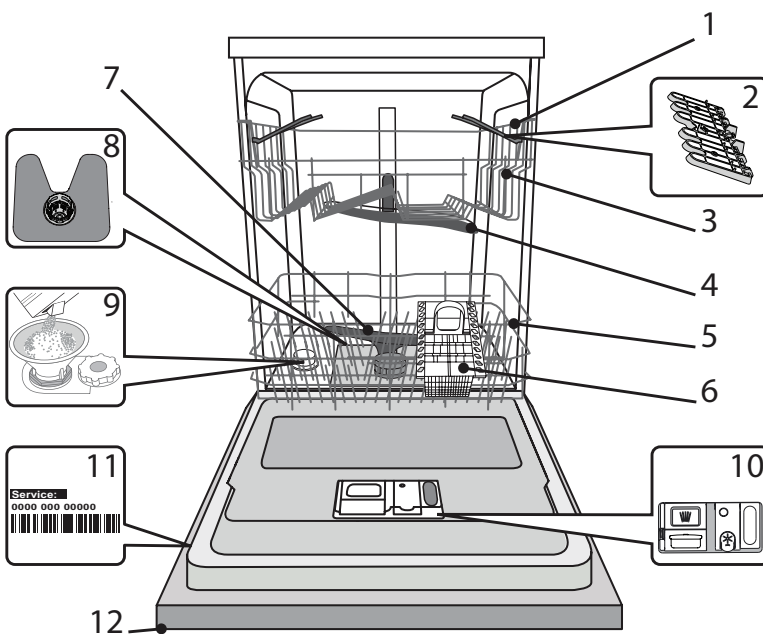


Um die Sicherheitshinweise und die Bedienungsanleitung, herunterzuladen, besuchen Sie unsere Website docs.indesit.eu und befolgen Sie die Anweisungen auf der Rückseite dieser Broschüre.

Lesen Sie vor Gebrauch des Geräts die Sicherheitshinweise aufmerksam durch.

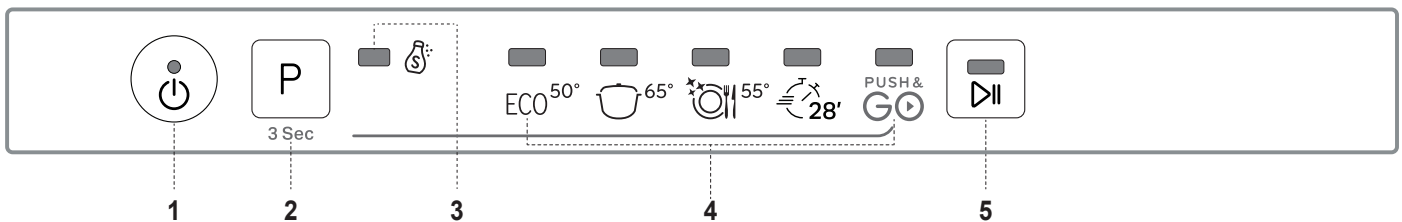
PRODUKTBESCHREIBUNG

GERÄT



1. Oberkorb
2. Faltbare Klappen
3. Oberkorb Höhenversteller
4. Oberer Sprüharm
5. Unterkorb
6. Besteckkorb
7. Unterer Sprüharm
8. Filtereinheit
9. Salzbehälter
10. Spülmittel und Klarspülerspender
11. Typenschild
12. Bedienfeld

BEDIENTAFEL



1. Ein-Aus/Reset Taste mit Anzeigelicht
2. Programmwahl-Taste / Push&GO
3. Anzeigelicht zum Salz auffüllen
4. Programm Anzeigeleuchten
5. Start/Pause Taste mit Anzeigelich

ERSTER GEBRAUCH SALZ, KLARSPÜLER UND SPÜLMITTEL


HINWEISE ZUR ERSTEN INBETRIEBNAHME

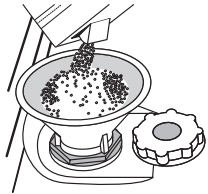
Nach Abschluss der Installation die Puffer an den Körben und die Rückhaltegummis vom oberen Korb entfernen.

SALZBEHÄLTER BEFÜLLEN

Mit der Verwendung von Salz werden KALKABLAGERUNGEN auf dem Geschirr und den funktionalen Komponenten des Geschirrspülers verhindert.

- **DER SALZBEHÄLTER DARF NIE LEER SEIN!**
- Es ist wichtig, die Wasserhärte einzustellen.

Der Salzbehälter befindet sich im Geschirrspülerboden (siehe *PRODUKTBESCHREIBUNG*) und muss aufgefüllt werden, wenn die **SALZNACHFÜLLANZEIGE**  der Bedienblende leuchtet.



1. Ziehen Sie den Unterkorb heraus und schrauben Sie den Salzbehälterdeckel gegen den Uhrzeigersinn ab.
2. **Nur beim ersten Mal: Befüllen Sie den Salzbehälter mit Wasser.**
3. Setzen Sie den Trichter auf (siehe Abbildung) und füllen Sie den Behälter bis zum Rand mit Salz (ca. 1 kg), es ist normal, wenn etwas Wasser ausläuft.
4. Den Trichter abnehmen und die Salzreste vom Öffnungsrand entfernen.

Sicherstellen, dass der Deckel fest angeschraubt ist, so dass kein Spülmittel während dem Waschprogramm in den Behälter gelangt (dies könnte den Wasserenthärter irreparabel beschädigen).

Immer wenn Sie Salz zugeben müssen, ist es zwingend vorgeschrieben, diesen Vorgang vor dem Beginn des Spülgangs auszuführen, um Korrosion zu vermeiden.

WASSERHÄRTE EINSTELLEN

Damit der Wasserenthärter perfekt arbeiten kann, muss die Wasserhärte je nach der aktuellen Wasserhärte in Ihrem Haus eingestellt werden. Diese Information erhalten sie bei Ihrem örtlichen Wasserversorger. Das Werk stellt den Standardwert für die Wasserhärte ein.

- Die Geschirrspülmaschine mit der Taste **EIN/AUS** einschalten.
- Mit der Taste **EIN/AUS** ausschalten.
- Die Taste **P** 5 Sekunden lang gedrückt halten, bis Sie einen Piepton hören.
- Mit der Taste **EIN/AUS** einschalten.
- Das Programm-Anzeigelicht der eingestellten Stufe blinkt.
- Drücken Sie die Taste **P** um die gewünschte Härtestufe auszuwählen (siehe *WASSERHÄRTE-TABELLE*).

Wasserhärte-Tabelle				
Stufe		°dH Deut. Härtegr.	°fH Französischer Härtegr.	°Clark Engl. Härtegr.
1	Weich	0 - 6	0 - 10	0 - 7
2	Mittel	7 - 11	11 - 20	8 - 14
3	Durchschnittlich	12 - 16	21 - 29	15 - 20
4	Hart	17 - 34	30 - 60	21 - 42
5	Sehr hart	35 - 50	61 - 90	43 - 62

- Mit der Taste **EIN/AUS** ausschalten.

Die Einstellung ist abgeschlossen!

Sobald dieses Verfahren abgeschlossen ist, ein Programm ohne Beladung laufen lassen.

Verwenden Sie bitte nur Spezzalz für Geschirrspüler.

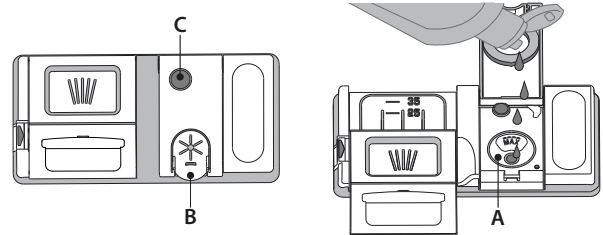
Nach dem Einfüllen des Salzes erlischt die SALZNACHFÜLLANZEIGE.

Wenn der Salzbehälter nicht gefüllt ist, könnten Kesselsteinablagerungen den Wasserenthärter und das Heizelement beschädigen.

Die Verwendung von Salz wird bei jeder Art von Geschirrspülmittel empfohlen.

KLARSPÜLERSPENDER AUFFÜLLEN

Klarspüler macht das TROCKNEN von Geschirr einfacher. Die Klarspülerausgabe **A** sollte gefüllt werden, wenn die dunkle optische Anzeige an der Ausgabetür **C** transparent wird.



1. Den Behälter **B** durch Drücken und Anheben der Zunge am Deckel öffnen.
2. Den Klarspüler vorsichtig bis zur maximalen Füllstandsmarkierung (110 ml) an der Füllöffnung einfüllen und ein Überlaufen vermeiden. Andernfalls sofort mit einem trockenen Tuch abwischen.
3. Den Deckel schließen bis er einrastet.

Füllen Sie den Klarspüler NIEMALS direkt ins Innere des Geschirrspülers.

KLARSPÜLERDOSIERUNG

Sollte das Trockenergebnis unzufrieden stellend sein, kann die Klarspülerdosierung neu eingestellt werden.

- Die Geschirrspülmaschine mit der Taste **EIN/AUS** einschalten.
- Mit der Taste **EIN/AUS** ausschalten.
- Drücken Sie die Taste **P** drei Mal - ein Piepton ertönt.
- Mit der Taste **EIN/AUS** einschalten.
- Das Programm-Anzeigelicht der eingestellten Stufe blinkt.
- Drücken Sie die Taste **P**, um den Stand der gelieferten Klarspülermenge auszuwählen.
- Mit der Taste **EIN/AUS** ausschalten.

Die Einstellung ist abgeschlossen!

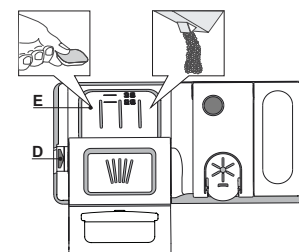
Die Klarspülerstufe kann auf 1 (ECO) eingestellt werden. In diesem Fall wird kein Klarspüler ausgegeben.

Je nach Gerätemodell können bis max. 5 Stufen eingestellt werden. Die Werkseinstellung ist abhängig vom Modell. Bitte befolgen Sie die Anweisungen oben, um dies für Ihr Gerät zu überprüfen.

- Wenn Sie bläuliche Streifen auf dem Geschirr sehen, stellen Sie eine niedrigere Zahl ein (2-3).
- Wenn Wassertropfen oder Kalkablagerungen auf dem Geschirr sind, eine höhere Zahl einstellen (4-5)

EINFÜLLEN DES SPÜLMITTELS

Zum Öffnen des Spülmittelbehälters den Öffnungsmechanismus **D drücken. Füllen Sie das Spülmittel ausschließlich in das trockene Fach **E** ein. Die für den Vorspülgang benötigte Spülmittelmenge wird direkt in den Geschirrspüler gegeben.**

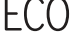






1. Hinsichtlich der Dosierung verweisen wir auf die zuvor erwähnte Information, in der die richtige Menge angegeben ist. Im Fach **E** sind Anzeigen die bei der Spülmitteldosierung helfen.
2. Entfernen Sie eventuelle Spülmittelrückstände von den Kanten der Kammern und schließen Sie den Deckel so, dass er einrastet.
3. Schieben Sie den Deckel der Spülmittelkammer zum Schließen nach oben, bis er einrastet.

Die Spülmittelkammer öffnet sich automatisch zum richtigen Zeitpunkt des jeweils gewählten Programms.

Die Verwendung von Reinigungsmitteln, die nicht für Geschirrspüler bestimmt sind, kann zu Fehlfunktionen oder Schäden am Gerät führen.

PROGRAMMTABELLE

Programm	Trocken- -phase	Programmdauer (Std:Min)*	Wasserverbrauch (Liter/ Zyklus)	Energieverbrauch (kWh/ Zyklus)
1. Eco  50°	✓	3:35	9,5	0,95
2. Intensiv  65°	✓	2:40	18,0	1,60
3. Gemischt  55°	✓	2:15	16,0	1,40
4. Fast&Clean 28'  50°	-	0:28	9,0	0,50
5. Push&GO  50°	✓	1:30	11,5	1,30

Die ECO-Programmdaten sind Labormessdaten, die gemäß der europäischen Vorschrift EN 60436:2020 erfasst wurden.

Hinweis für die Prüflabors: Informationen hinsichtlich der Bedingungen des EN-Vergleichstests sind unter nachfolgender Adresse anzufordern: dw_test_support@whirlpool.com

Eine Vorbehandlung des Geschirrs ist vor keinem Programm erforderlich.

*) Werte, die für andere Programme als das ECO-Programm angegeben werden, sind nur Richtwerte. Die aktuelle Zeit kann auf Grundlage von mehreren Faktoren, wie Temperatur und Druck des eintretenden Wassers, Raumtemperatur, Spülmittelmenge, Menge und Art der Beladung, Lastausgleich, zusätzlich gewählte Optionen und Sensoreichung variieren. Die Sensoreichung kann die Programmdauer bis zu 20 Min. erhöhen.

PROGRAMMBESCHREIBUNG

Anweisungen bezüglich der Auswahl des Waschzyklus.

1 ECO

Das ECO-Programm eignet sich, um normal verschmutztes Geschirr zu reinigen. In Bezug auf den kombinierten Energie- und Wasserverbrauch ist es das effizienteste Programm, das auch zur Prüfung der Einhaltung der Ökodesign-Richtlinie verwendet wird.

2 INTENSIV

Programm empfohlen für stark verschmutztes Geschirr, besonders Töpfe und Pfannen (nicht für empfindliche Teile verwenden).

3 GEMISCHT

Vermischte Verschmutzung. Für normal verschmutztes Geschirr mit trockenen Speiseresten.

4 FAST&CLEAN 28'

Programm für leicht verschmutztes Geschirr ohne getrocknete Speisereste. Hat keine Trocknungsphase.

5 PUSH&GO

Täglicher Spül- und Trockenzyklus, der beste Reinigungsleistung in kurzer Zeit ohne Vorbehandlung des Geschirrs garantiert.

Hinweise:

Bitte beachten Sie, dass das Programm Fast&Clean 28' für leicht verschmutztes Geschirr geeignet ist.

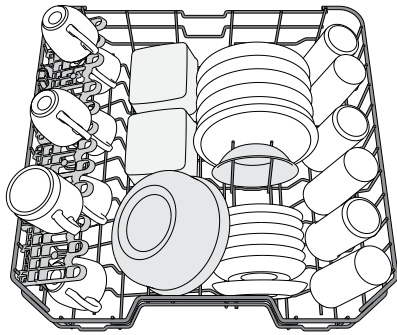
PUSH&GO

Die Push&GO-Taste ist eine einfach zu erkennende Taste, mit der Sie direkt auf das Push&GO-Programm zugreifen können, ein Wasch- und Trockenzyklus, der beste Reinigungsleistung in kurzer Zeit gewährleistet. Sie müssen sich keine Gedanken darüber machen, welches Programm zu wählen ist, der Push&GO-Zyklus erledigt die Arbeit für Sie.

Um das Push&GO-Programm auszuwählen, schalten Sie das Gerät an, drücken Sie nur die Taste **P** für 3 Sekunden (die entsprechenden Leuchten schalten sich ein) und schließen Sie die Tür innerhalb von 4 Sekunden.

KÖRBE BELADEN

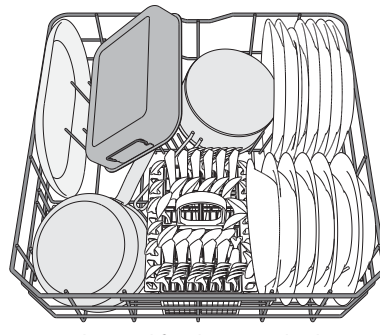
OBERKORB



(Sortierbeispiel für den Oberkorb)

Hier sortieren Sie empfindliches und leichtes Geschirr ein: Gläser, Tassen, kleine Teller, flache Schüsseln.

UNTERKORB

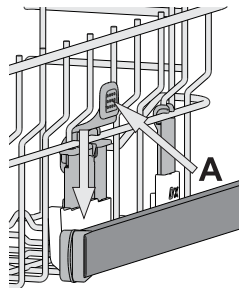


(Sortierbeispiel für den Unterkorb)

Für Töpfe, Deckel, Teller, Salatschüsseln, Besteck usw. Große Teller und Deckel sollten idealerweise an die Seiten gelegt werden, um nicht mit dem Sprüharm in Kontakt zu kommen.

HÖHENEINSTELLUNG DES OBERKORBES

Der Oberkorb kann in der Höhe verstellt werden: stellen Sie ihn in die oberste Position, wenn Sie großes Geschirr in den Unterkorb einräumen wollen. Wenn Sie eher die klappbaren Bereiche nutzen wollen, dann stellen Sie ihn in die untere Position. Somit vermeiden Sie Zusammenstoßen mit dem Geschirr im Unterkorb. Der Oberkorb ist mit einem **Oberkorb Höhenversteller** (siehe Abbildung) ausgestattet.



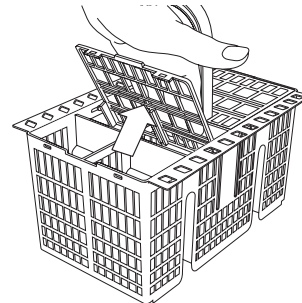
Ohne Drücken der Hebel kann er einfach durch Heben der Korbseiten angehoben werden, sobald der Korb stabil in seiner unteren Stellung ist. Um den Korb zurück in die untere Stellung zu bringen, drücken Sie die Hebel **A** an den Seiten des Korbs und schieben Sie ihn nach unten.

Es empfiehlt sich, die Höhe des Oberkorbes bei leerem Korb zu regulieren.

Heben oder senken Sie den Korb NIEMALS nur an einer Seite.

BESTECKKORB

Er ist oben mit Gittern versehen, um das Besteck besser einzuordnen. Er darf nur im vorderen Teil des unteren Korbes eingesetzt werden.



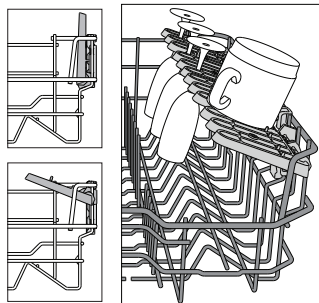
Messer und andere Küchenutensilien mit scharfen Spitzen sind mit nach unten gerichteten Spitzen in den Besteckkorb einzuordnen oder waagrecht auf die Ablagen des oberen Geschirrkorbs zu legen.

KLAPPBARE KLAPPEN MIT VERSTELLBARER POSITION

De vipbare hylder i siderne kan åbnes eller lukkes, for at optimere placeringen af service i kurven. Vinglas kan stilles sikkert i de vipbare hylder ved at sætte glassets stilk i fordybningerne.

Afhængigt af model:

- skal hylderne åbnes ved at trække dem opad og dreje dem eller udløse deres låsemekanismer og skubbe dem ned.
- skal hylderne lukkes ved at dreje dem eller trykke dem nedad eller trække dem opad og indkoble hylderne i låsemekanismerne.



TÄGLICHER GEBRAUCH

1. ANSCHLUSS AN DIE WASSERLEITUNG PRÜFEN

Sicherstellen, dass der Geschirrspüler an die Wasserleitung angeschlossen und der Wasserhahn auf ist.

2. SCHALTEN SIE DEN GESCHIRRSPÜLER EIN

Tür öffnen und **EIN-/AUS**-Taste drücken.

3. KÖRBE BELADEN

(siehe **KÖRBE BELADEN**)

4. EINFÜLLEN DES SPÜLMITTELS

5. PROGRAMM WÄHLEN UND DAS PROGRAMM ANPASSEN

Das am besten geeignete Programm je nach Besteckart und Verschmutzungsgrad auswählen (siehe **PROGRAMMBESCHREIBUNG**) durch Drücken der Taste **P**. Die gewünschten Optionen auswählen (siehe **OPTIONEN UND FUNKTIONEN**).

6. START

Starten Sie das Spülprogramm mit der Taste **START/Pause** (LED leuchtet) und schließen Sie die Tür innerhalb von 4 Sek. Bei Programmstart ertönt ein einzelner Piepton. Wenn die Tür nicht innerhalb von 4 Sek. geschlossen wurde, ertönt der akustische Alarm. Öffnen Sie in diesem Fall die Tür, drücken Sie die Taste **START/Pause** und schließen Sie die Tür erneut innerhalb von 4 Sekunden

7. ENDE DES SPÜLPROGRAMMS

Das Ende des Waschzyklus wird durch Pieptöne und durch Blinken der Kontrollleuchte des ausgewählten Programms angezeigt. Die Tür öffnen und das Gerät mit der **EIN/AUS**-Taste ausschalten. Vor Entnahme des Bestecks einige Minuten warten - um Verbrennungen zu vermeiden. Die Körbe entladen, mit dem Unteren beginnen.

Die Maschine schaltet sich automatisch während bestimmter überschnittener Zeiten der Inaktivität aus, um den Stromverbrauch zu reduzieren. Für nur leicht verschmutztes Geschirr, oder für Geschirr, das vorher unter laufendem Wasser abgespült wurde, kann die Spülmittelmenge erheblich reduziert werden.

EIN LAUFENDES PROGRAMM ÄNDERN

Wenn ein falsches Programm ausgewählt wurde, kann es geändert werden, wenn es gerade erst gestartet wurde: die Tür öffnen, die **EIN-/AUS**-Taste drücken und gedrückt halten, um die Maschine auszuschalten.

Die Maschine mit der **EIN-/AUS**-Taste wieder einschalten und das neue Spülprogramm und die gewünschten Optionen auswählen; das Spülprogramm durch Drücken der Taste **START/Pause** starten und innerhalb von 4 Sek. die Tür schließen.

HINZUFÜGEN VON WEITEREM GESCHIRR

Ohne die Maschine auszuschalten, die Tür öffnen (**START/Pause** LED beginnt zu blinken) (**Vorsicht HEISSER Dampf!**) und das Geschirr in den Geschirrspüler geben. Die Taste **START/Pause** drücken und innerhalb von 4 Sek. die Tür schließen; das Programm läuft automatisch weiter, wo es unterbrochen wurde.

VERSEHENTLICHE UNTERBRECHUNGEN

Wird während des Spülgangs die Gerätetür geöffnet, oder sollte ein Stromausfall stattfinden, wird der Spülgang unterbrochen. Damit das Programm wieder an dem Punkt startet, an dem es unterbrochen wurde, die Taste **START/Pause** drücken und innerhalb von 4 Sek. die Tür schließen.

HINWEISE UND TIPPS

EMPFEHLUNGEN

Bevor Sie das Geschirr in den Geschirrspüler einräumen, befreien Sie es von Speiserückständen und entleeren Sie Gläser und Behälter von Flüssigkeitsresten. **Es ist nicht notwendig, das Geschirr unter fließendem Wasser vorzuspülen.**

Stellen Sie das Geschirr so ein, dass es fest steht und nicht umfallen kann. Behälter müssen mit der Öffnung nach unten eingestellt werden und hohle oder gewölbte Teile müssen schräg stehen, damit das Wasser alle Oberflächen erreicht und dann abfließen kann.

Achtung : Achten Sie darauf, dass Deckel, Griffe, Töpfe und Tablett die Drehung der Sprüharme nicht behindern. Stellen Sie kleine Gegenstände in den Besteckkorb. Stark verschmutztes Geschirr und Töpfe sollten in dem Unterkorb untergebracht werden, da in diesem Bereich die Wasserstrahlen stärker sind und eine höhere Spüleistung garantieren. Stellen Sie nach Einräumen des Geschirrs sicher, dass sich die Sprüharme frei bewegen können.

UNGEEIGNETES GESCHIRR

- Besteck und Geschirr aus Holz.
- Empfindliche Dekorgläser, handgemachte Teller und antikes Geschirr. Die Dekore sind nicht spülmaschinenfest.
- Nicht temperaturbeständige Kunststoffteile.
- Geschirr aus Kupfer und Zinn.
- Mit Asche, Wachs, Schmieröl oder Tinte verschmutztes Geschirr. Glasdekore, Aluminium- und Silberteile können während des Spülgangs die Farbe verändern und ausbleichen. Auch einige Glasarten (z.B. Kristallgegenstände) können nach mehreren Spülgängen matt werden.

SCHÄDEN AN GLAS UND GESCHIRR

- Spülen Sie nur Gläser und Geschirr in Ihrem Geschirrspüler, die vom Hersteller als spülmaschinenfest ausgezeichnet sind.
- Verwenden Sie ein Feinspülmittel für Geschirr.
- Nehmen Sie Gläser und Besteck so bald wie möglich nach Ablauf des Programms aus der Spülmaschine.

ENERGIESPARTIPPS

- Sofern man die Herstelleranweisungen beim Einsatz beachtet, **verbraucht das Waschen von Geschirr im Geschirrspüler in der Regel WENIGER ENERGIE und Wasser als Handspülen.**
- Um die Effizienz des Geschirrspülers zu maximieren, empfiehlt es sich, **das Spülprogramm bei voll beladenem Gerät zu starten.** Wenn der Geschirrspüler bis zur vom Hersteller angegebenen Kapazität beladen wird, hilft dies, Energie und Wasser zu sparen. Angaben über die korrekte Beladung von Geschirr finden Sie im Kapitel **BELADEN DER KÖRBE**. Bei Teilbeladung empfiehlt es sich, die speziellen Spülprogramme (Halbe Beladung / Zone Wash / Multizone) zu verwenden und nur die entsprechenden Körbe zu beladen. Bei einer fehlerhaften Beladung oder Überladung des Geschirrspülers könnten mehr Ressourcen verbraucht (z. B. Wasser, Energie und Zeit), der Geräuschpegel erhöht und die Reinigungs- und Trocknungsleistung verringert werden.
- Das manuelle Vorspülen von Geschirr führt zu erhöhtem Wasser- und Energieverbrauch und wird nicht empfohlen.

HYGIENE

Um Gerüche und Ablagerung, die sich in dem Geschirrspüler ansetzen können zu vermeiden, bitte mindestens einmal monatlich ein Hochtemperaturprogramm laufen lassen. Einen Teelöffel Spülmittel verwenden und ohne Geschirr laufen lassen, um Ihr Gerät zu reinigen.

PFLEGE UND WARTUNG

REINIGUNG DER FILTEREINHEIT

Die Filtereinheit regelmäßig reinigen, damit die Filter nicht verstopfen und das Abwasser korrekt abfließen kann.

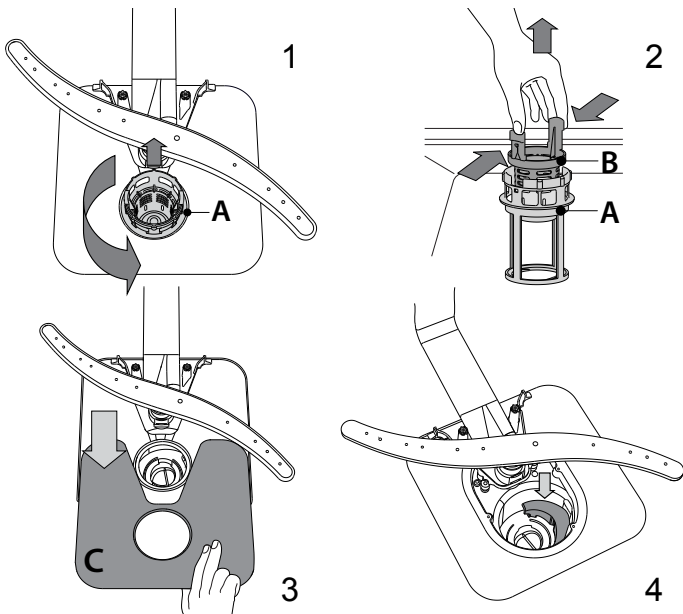
Wenn die Filter beim Einsatz des Geschirrspülers verstopft sind oder falls Fremdkörper im Filtersystem oder in den Spülarmen gelangen, könnten Störungen im Gerät auftreten, was zu Leistungseinbußen, lautem Betrieb oder höherer Ressourcennutzung führt.

Die Filtereinheit setzt sich aus drei Filtern zusammen, die Spülwasser reinigen, von Speiseresten befreien und wieder in Umlauf bringen.

Der Geschirrspüler darf nie ohne Filtersiebe oder mit ausgehängten Filtern in Betrieb genommen werden.

Kontrollieren Sie einmal monatlich oder nach 30 Zyklen die Filtersiebgruppe. Bei Bedarf ist diese sorgfältig unter laufendem Wasser auszuspülen. Nehmen Sie hierzu ein kleines Bürstchen (das nicht aus Metall sein darf) zu Hilfe. Gehen Sie wie folgt vor:

1. Drehen Sie das zylinderförmige Filtersieb **A** gegen den Uhrzeigersinn heraus (Abb. 1).
2. Ziehen Sie den Siebbecher **B** durch leichten Druck auf die seitlichen Flügel heraus (Abb. 2).
3. Nehmen Sie den Stahl-Siebteller **C** ab (Abb. 3).
4. Falls Sie Fremdkörper (wie Glasscherben, Porzellan, Knochen, Früchtsamen usw.) finden, **entfernen Sie diese bitte sorgfältig**.
5. Kontrollieren Sie den Hohlraum und befreien Sie diesen von eventuellen Speiseresten. Das Spülpumpenschutzteil (schwarzes Teil) **NICHT ABGENOMMEN WERDEN** (Abb. 4).



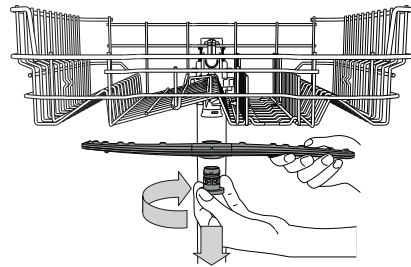
Setzen Sie die Filtereinheit nach der Reinigung der Filtersiebe wieder korrekt in ihren Sitz ein, dies ist äußerst wichtig, um eine ordnungsgemäße Betriebsweise des Geschirrspülers zu gewährleisten.

WASSERZULAUFSCHLAUCH REINIGEN

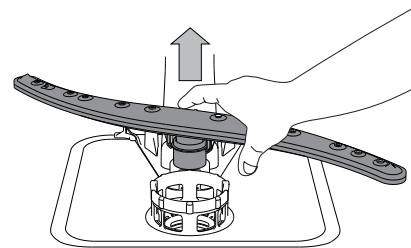
Wenn der Wasserschlauch neu ist oder für längere Zeit nicht in Betrieb war, das Warmwasser laufen lassen, um sicherzustellen, dass es klar und frei von Verschmutzungen ist, bevor die erforderlichen Anschlüsse vorgenommen werden. Bei Nichtbeachtung dieser Vorsichtsmaßnahme, kann die Wasserzufuhr blockieren und den Geschirrspüler beschädigen.

REINIGUNG DER SPRÜHARME

Es kann vorkommen, dass Speisereste an den Sprüharmen hängen bleiben und die Wasserdüsen verstopfen. Prüfen Sie die Sprüharme daher regelmäßig und reinigen Sie sie bei Bedarf mit einer Kunststoffbürste.



Zur Abnahme des oberen Sprüharms drehen Sie den Kunststoffring im Uhrzeigersinn ab. Der obere Sprüharm ist mit jener Seite nach oben wieder einzusetzen, die die meisten Löcher aufweist.



Um den unteren Sprüharm abzunehmen, ihn nach oben ziehen.

WASSERENTHÄRTUNG

Der Wasserenthärter reduziert automatisch die Wasserhärte, verhindert Kesselsteinablagerungen am Heizelement und trägt somit zu einer höheren Reinigungsleistung bei.

Dieses System regeneriert sich mit Salz, daher ist es erforderlich, Salz in den Behälter zu füllen, wenn dieser leer ist.


Die Regenerierungshäufigkeit hängt von eingestellten Stufe für die Wasserhärte ab - die Regenerierung findet einmal alle **6** Eco-Zyklen bei Wasserhärte auf **3** statt.

Der Regenerationsprozess beginnt in der Endspülung und endet in der Trocknungsphase, bevor der Zyklus endet.

- Eine einzelne Regeneration verbraucht: ~3,5 l Wasser;
- Das Programm dauert bis zu 5 Minuten länger;
- Energieverbrauch unter 0,005 kWh.

LÖSEN VON PROBLEMEN

Falls Ihr Geschirrspüler nicht richtig funktioniert, versuchen Sie, das Problem anhand der folgenden Liste zu beheben. Für andere Fehler oder Probleme wenden Sie sich bitte an den autorisierten Kundendienst, dessen Kontaktdaten im Garantieheft aufgeführt sind. Ersatzteile werden für einen Zeitraum von entweder bis zu 7 oder bis zu 10 Jahren verfügbar sein, je nach den spezifischen Anforderungen der Verordnung..

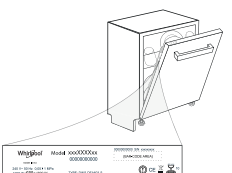
STÖRUNGEN	MÖGLICHE URSACHEN	LÖSUNG
 Salzanzeige leuchtet	Salzbehälter leer. (Es kann nach dem Auffüllen einige Spülvorgänge dauern, bis die Salzanzeige erlischt).	Befüllen Sie den Behälter mit Salz (weitere Informationen – siehe Seite 2). Stellen Sie die Wasserhärte ein – siehe Tabelle, Seite 2.
Die Spülmaschine startet nicht oder reagiert nicht auf die Bedienungseingaben.	Das Gerät wurde nicht richtig eingesteckt.	Schließen Sie den Netzstecker an.
	Stromausfall.	Aus Sicherheitsgründen wird die Spülmaschine nicht automatisch neu gestartet, wenn die Stromversorgung wiederhergestellt wird. Öffnen Sie die Tür des Geschirrspülers, drücken Sie die Taste START/Pause und schließen Sie die Tür erneut innerhalb von 4 Sekunden.
	Die Gerätetür schließt nicht.	Drücken Sie die Tür energisch, bis ein „Klicklaut“ zu hören ist.
	Der Spülgang wird durch Öffnen der Tür für > 4 Sekunden unterbrochen.	Drücken Sie die Taste START/Pause und schließen Sie die Tür erneut innerhalb von 4 Sekunden.
Der Geschirrspüler pumpt das Wasser nicht ab.	Das Spülprogramm ist noch nicht ganz abgelaufen.	Warten Sie, bis das Programm beendet ist.
	Der Ablaufschlauch ist geknickt.	Prüfen Sie, dass der Ablaufschlauch nicht geknickt ist (siehe INSTALLATIONSANWEISUNGEN).
	Der Ablauf des Spülbeckens ist verstopft.	Den Ablauf des Spülbeckens reinigen.
	Im Filtersieb haben sich Speisereste angesammelt.	Den Filter reinigen (siehe REINIGUNG DER FILTEREINHEIT).
Der Geschirrspüler ist zu laut.	Das Geschirr schlägt aneinander.	Positionieren Sie das Geschirr korrekt (siehe KÖRBE BELADEN).
	Es hat sich zu viel Schaum gebildet.	Das Spülmittel wurde nicht richtig dosiert oder ist für Geschirrspüler ungeeignet (siehe EINFÜLLEN DES SPÜLMITTELS). Starten Sie das laufende Programm durch Ausschalten des Geschirrspülers neu. Schalten Sie das Gerät wieder ein, wählen Sie ein neues Programm, drücken Sie START/Pause und schließen Sie die Tür innerhalb von 4 Sekunden. Kein Spülmittel zufügen.
Das Geschirr ist nicht sauber geworden.	Das Geschirr wurde nicht korrekt eingeräumt.	Positionieren Sie das Geschirr korrekt (siehe KÖRBE BELADEN).
	Die Sprüharme können nicht frei drehen, werden durch das Geschirr blockiert.	Positionieren Sie das Geschirr korrekt (siehe KÖRBE BELADEN).
	Das Spülprogramm ist zu schwach.	Ein geeignetes Spülprogramm wählen (siehe PROGRAMMTABELLE).
	Es hat sich zu viel Schaum gebildet.	Das Spülmittel wurde nicht richtig dosiert oder ist für Geschirrspüler ungeeignet (siehe EINFÜLLEN DES SPÜLMITTELS).
	Der Stöpsel des Klarspülerbehälters wurde nicht korrekt geschlossen.	Sicherstellen, dass der Stöpsel des Klarspülerbehälters geschlossen ist.
	Das Filtersieb ist schmutzig oder verstopft.	Die Filtereinheit reinigen (siehe PFLEGE UND WARTUNG).
	Fehlendes Regeneriersalz.	Füllen Sie den Salzbehälter (siehe SALZBEHÄLTER BEFÜLLEN).
Der Geschirrspüler lädt kein Wasser.	Kein Wasser im Wassernetz oder zugezogener Wasserhahn.	Sicherstellen, dass Wasser im Wassernetz ist oder der Wasserhahn läuft.
Alle LEDs blinken schnell.	Geknickter Zulaufschlauch.	Sicherstellen, dass der Zulaufschlauch nicht geknickt ist (siehe INSTALLATION), den Geschirrspüler neu programmieren und wieder einschalten.
	Sieb im Zulaufschlauch verstopft; es muss gereinigt werden.	Nach der Überprüfung und Reinigung, den Geschirrspüler ausschalten und ein neues Programm starten.
Der Geschirrspüler beendet frühzeitig das Programm.	Abflussschlauch zu niedrig positioniert oder Wasser vom Abwassersystem angesaugt.	Kontrollieren Sie, ob das Ende des Abflussschlauches auf der korrekten Höhe positioniert ist (siehe INSTALLATION). Kontrollieren Sie, ob Wasser in das Abwassersystem angesaugt wird, installieren ggf. ein Belüftungsventil.
	Luft in der Wasserversorgung.	Kontrollieren Sie die Wasserversorgung auf Lecks oder andere Probleme, die einen Lufteintritt verursachen.

Firmenrichtlinien, Standarddokumentation, Ersatzteilbestellung und zusätzliche Produktinformationen finden Sie unter:



- Besuchen Sie unsere Website docs.indesit.eu und parts-selfservice.whirlpool.com
- Verwenden Sie den QR-Code
- Alternativ können Sie **unsere Kundendienst kontaktieren** (Siehe Telefonnummer in dem Garantieheft). Wird unser Kundendienst kontaktiert, bitte die Codes auf dem Typenschild des Produkts angeben.

Die Modellinformation ist über den QR-Code auf der Energieverbrauchskennzeichnung aufrufbar. Die Kennzeichnung enthält auch die Modellnummer, die den Zugang zum <https://eprel.ec.europa.eu> Datenbankportal ermöglicht.



400011652613B

01/2023 ks - Xerox Fabriano



GUÍA DE REFERENCIA DIARIA



GRACIAS POR COMPRAR UN PRODUCTO INDESIT.
Si desea recibir un servicio más completo, registre su aparato en: www.indesit.com/register

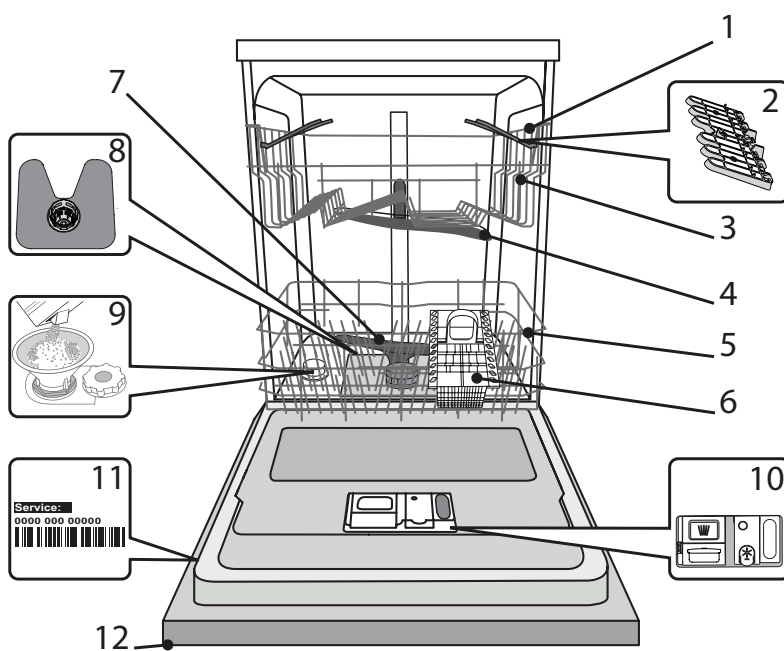


Puede descargar las Instrucciones de seguridad y el Manual de usuario, visitando nuestro sitio web docs.indesit.eu y siguiendo las instrucciones de la parte trasera de este folleto.

Antes de usar el electrodoméstico, lea atentamente las Instrucciones de seguridad.

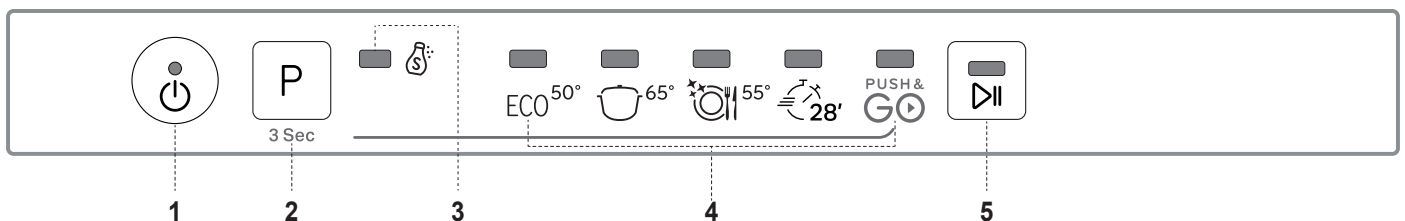
DESCRIPCIÓN DEL PRODUCTO

APARATO



1. Cesto superior
2. Sujeciones plegables
3. Ajustador de altura de la bandeja superior
4. Brazo aspersor superior
5. Cesto inferior
6. Cesto de cubiertos
7. Brazo aspersor inferior
8. Conjunto de filtrado
9. Depósito de sal
10. Dispensadores de detergente y abrillantador
11. Placa de características
12. Panel de control

PANEL DE CONTROL



1. Botón de Encender-Apagar / Reset con indicador luminoso
2. Botón de selección de programas/ Push&GO
3. Indicador luminoso de recarga de sal
4. Indicadores luminosos de programa
5. Botón de INICIO/Pausa con indicador luminoso

PRIMER USO

SAL, ABRILLANTADOR Y DETERGENTE


CONSEJO RESPECTO AL PRIMER USO

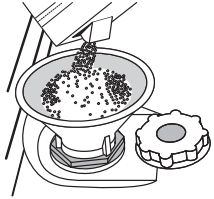
Después de la instalación, retire los topes de las bandejas y los elementos de retención elásticos de la bandeja superior.

LLENADO DEL DEPÓSITO DE SAL

El uso de sal evita la formación de INCRUSTACIONES DE CAL en la vajilla y en los componentes funcionales de la máquina.

- Es obligatorio que **EL DEPÓSITO DE SAL NO ESTÉ NUNCA VACÍO**.
- Es importante ajustar la dureza del agua

El depósito de sal se ubica en la parte inferior del lavavajillas (*consulte DESCRIPCIÓN DEL PRODUCTO*) y se debe rellenar cuando el **indicador de RECARGA DE SAL**  del panel de control se encienda.



1. Retire la bandeja inferior y desensrosque el tapón del depósito (en sentido antihorario).
2. **Pasos a seguir solo la primera vez: llene el depósito de sal con agua.**
3. Coloque el embudo (véase la figura) y llene el depósito de sal hasta el borde (aproximadamente 1 kg); puede derramarse un poco de agua.
4. Retire el embudo y limpie cualquier residuo de sal del orificio.

Asegúrese de que el tapón esté bien cerrado, de modo que el detergente no pueda entrar en el depósito durante el programa de lavado (esto podría estropear irremisiblemente el ablandador del agua).

Siempre que necesite añadir sal, es obligatorio completar el procedimiento antes del inicio del ciclo de lavado para evitar la corrosión.

CONFIGURACIÓN DE LA DUREZA DEL AGUA

Para que el ablandador del agua funcione a la perfección, es esencial que la configuración de la dureza del agua se base en la dureza real del agua de su casa. Su suministrador de agua local le puede proporcionar esta información.

La fábrica ajusta el valor predeterminado de dureza del agua.

- Encienda el aparato pulsando el botón **Encendido/Apagado**.
- Apague el aparato pulsando el botón **Encendido/Apagado**.
- Mantenga pulsado el botón **P** durante 5 segundos hasta que oiga una señal acústica.
- Encienda el aparato pulsando el botón **Encendido/Apagado**.
- El indicador luminoso del programa del nivel actual parpadea.
- Pulse el botón **P** para seleccionar el nivel de dureza deseado (*consulte la TABLA DE DUREZA DEL AGUA*).

Tabla de dureza del agua				
Nivel		°dH Niveles Alemanes	°fH Niveles Franceses	°Clark Niveles Ingleses
1	Blanda	0 - 6	0 - 10	0 - 7
2	Media	7 - 11	11 - 20	8 - 14
3	Normal	12 - 16	21 - 29	15 - 20
4	Dura	17 - 34	30 - 60	21 - 42
5	Muy dura	35 - 50	61 - 90	43 - 62

- Apague el aparato pulsando el botón **Encendido/Apagado**.

¡Configuración finalizada!

Cuando haya completado este procedimiento, ejecute un programa sin carga.

Utilice solamente sal fabricada específicamente para lavavajillas.

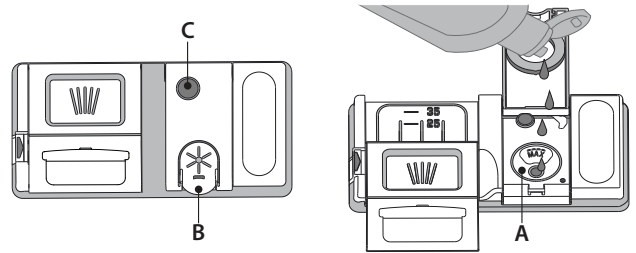
Cuando haya echado la sal dentro del depósito, el indicador luminoso de RECARGA DE SAL se apagará.

Si el depósito de sal no se llena, el ablandador del agua y la resistencia pueden sufrir daños como resultado de la acumulación de incrustaciones de cal.

Se recomienda utilizar sal con cualquier tipo de detergente para lavavajillas.

LLENADO DEL DISPENSADOR DEL ABRILLANTADOR

El abrillantador facilita el SECADO de la vajilla. El dispensador de abrillantador **A** se debe rellenar cuando el indicador visual oscuro de la puerta del dispensador **C** se vuelve transparente.



1. Abra el dispensador **B** pulsando y levantando la lengüeta de la tapa.
2. Introduzca el abrillantador con cuidado como máximo hasta la última marca (110 ml) de referencia del depósito, evitando que se derrame. Si se derrama, limpie el derrame inmediatamente con un paño seco.
3. Pulse la tapa hasta que oiga un clic, para cerrarla.

NUNCA eche el abrillantador directamente en la cuba.

AJUSTE DE LA DOSIS DE ABRILLANTADOR

Si los resultados del secado no le satisfacen totalmente, puede ajustar la cantidad de abrillantador utilizada

- Encienda el lavavajillas con el botón **Encendido/Apagado**.
- Apáguelo con el botón **Encendido/Apagado**.
- Pulse el botón **P** tres veces, se oirá una señal acústica.
- Enciéndalo con el botón **Encendido/Apagado**.
- El indicador luminoso del programa del nivel actual parpadea.
- Pulse el botón **P** para seleccionar el nivel del abrillantador y la cantidad que se tenga que suministrar.
- Apáguelo con el botón **Encendido/Apagado**.

¡Configuración finalizada!

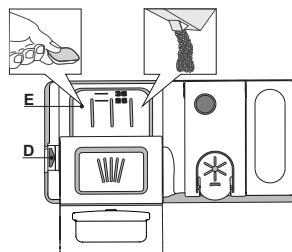
Si se selecciona el nivel de abrillantador 1 (ECO), no se suministrará abrillantador.

Se pueden configurar 5 niveles como máximo según el modelo de lavavajillas. Los ajustes de fábrica son específicos para el modelo, siga las instrucciones anteriores para comprobar esto en su máquina.

- Si ve manchas azuladas en la vajilla, seleccione un número bajo (2-3).
- Si hay gotas de agua o incrustaciones de cal en la vajilla, seleccione un número alto (4-5).

RELLENAR EL DISPENSADOR DE DETERGENTE

Para abrir el dispensador de detergente utilice el mecanismo de apertura D. Introduzca el detergente solo en el dispensador E seco. Eche la cantidad de detergente para el prelavado directamente dentro de la cuba.




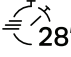



1. Cuando dosifique el detergente, consulte la información mencionada anteriormente para añadir la cantidad correcta. Dentro del dispensador **E** hay indicaciones para ayudarle a dosificar el detergente.
2. Retire los restos de detergente de los bordes del dispensador y cierre la tapa hasta oír un clic.
3. Cierre la tapa del dispensador de detergente levantándola hasta que el mecanismo de cierre quede bien fijado.

El dispensador de detergente se abre automáticamente en el momento adecuado según el programa.

El uso de detergente no diseñado para lavavajillas puede provocar fallos de funcionamiento o daños en el aparato.

TABLA DE PROGRAMAS

Programma	Fase de secado	Duración del programa de lavado (h:min) ^{*)}	Consumo de agua (litros/ciclo)	Consumo de energía (kWh/ciclo)
1. Eco  50°	✓	3:35	9,5	0,95
2. Intensivo  65°	✓	2:40	18,0	1,60
3. Mixta  55°	✓	2:15	16,0	1,40
4. Fast&Clean 28'  50°	-	0:28	9,0	0,50
5. Push&GO  50°	✓	1:30	11,5	1,30

Los datos del programa ECO se miden bajo condiciones de laboratorio de conformidad con la Norma europea EN 60436:2020.

Nota para los laboratorios de pruebas: para obtener información detallada sobre las condiciones de la prueba comparativa EN, escribir a la siguiente dirección: dw_test_support@whirlpool.com

No es necesario ningún tratamiento previo de la vajilla antes de ninguno de los programas.

*) Los valores indicados para los programas distintos al programa Eco son indicativos. El tiempo real puede variar dependiendo de muchos factores como la temperatura y la presión del agua de entrada, la temperatura ambiente, la cantidad de detergente, la cantidad y el tipo de carga, la colocación de la carga, las opciones adicionales seleccionadas y la calibración del sensor.

La calibración del sensor puede incrementar la duración del programa hasta 20 min.

DESCRIPCIÓN DE PROGRAMAS

Instrucciones sobre la selección de programa de lavado.

1 ECO

El programa Eco es adecuado para lavar utensilios con suciedad normal, para este uso es el programa más eficiente en términos de consumo combinado de energía y agua, y se utiliza para valorar el cumplimiento con la legislación de Ecodiseño de la UE.

2 INTENSIVO

Programa recomendado para vajilla muy sucia, en especial para ollas o sartenes (no se debe utilizar para artículos delicados).

3 MIXTA

Suciedad mixta. Para vajilla con suciedad normal con residuos de comida secos.

4 FAST&CLEAN 28'

Programa recomendado para media carga de vajilla poco sucia sin restos de comida secos. No tiene fase de secado.

5 PUSH&GO

Lavado y ciclo de secado diario que garantiza una buena limpieza en poco tiempo sin necesidad de tratar la vajilla con anterioridad.

Notas:

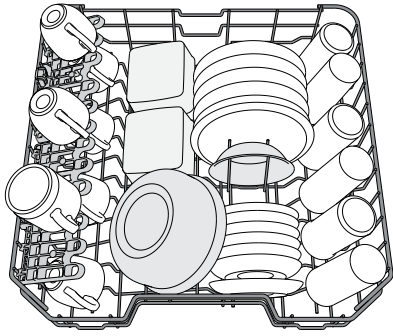
Tenga en cuenta que el ciclo Fast&Clean 28' está destinado a vajilla poco sucia.

PUSH&GO

El botón Push&GO (P) es un botón fácilmente distinguible que permite acceder directamente al programa Push&GO, un ciclo de lavado y secado que garantiza una buena limpieza en poco tiempo. No debe preocuparse de escoger el programa, el ciclo Push&GO hará el trabajo por usted. Para seleccionar el programa Push&GO, encienda el aparato, pulse únicamente el botón P durante 3 segundos (el indicador correspondiente se iluminará) y cierre la puerta antes de que pasen 4 segundos.

LLENADO DEL LAVAVAJILLAS

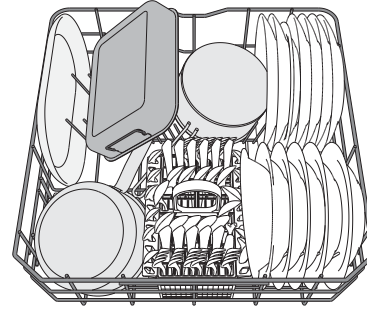
CESTO SUPERIOR



(ejemplo de carga para la bandeja superior)

Cargue la vajilla delicada y ligera: vasos, tazas, platos, ensaladeras bajas.

CESTO INFERIOR



(ejemplo de carga para la bandeja inferior)

Para ollas, tapas, platos, ensaladeras, cubertería, etc. Se recomienda colocar las bandejas y tapas grandes en los laterales para evitar interferencias con el brazo aspersor.

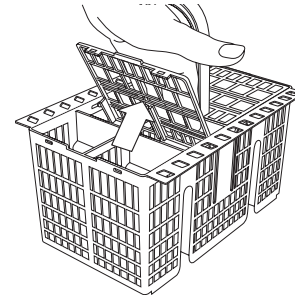
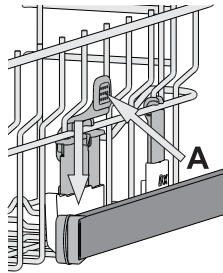
AJUSTE DE LA ALTURA DE LA BANDEJA SUPERIOR

La altura de la bandeja superior se puede ajustar: posición alta para colocar vajilla voluminosa en el cesto inferior y posición baja para aprovechar al máximo los soportes desplegados creando más espacio hacia arriba y evitando que colisionen con los artículos cargados en la bandeja inferior.

La bandeja superior está equipada con un **Ajustador de altura de la bandeja superior** (véase la figura). Sin presionar las palancas, levántelo simplemente sujetando los laterales de la bandeja, hasta que la bandeja esté estable en su posición superior.

Para volver a la posición más baja, pulse las palancas **A** de los laterales de la bandeja y mueva el cesto hacia abajo.

Le recomendamos encarecidamente que no ajuste la altura de la bandeja cuando esté cargada. NUNCA suba o baje el cesto solo de un lado.



CESTO DE CUBIERTOS

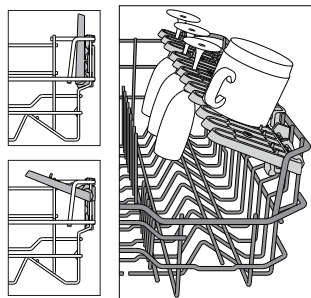
Está equipado con rejillas superiores para una mejor colocación de la cuchillería. Solo se tiene que colocar en la parte delantera de la bandeja inferior.

Los cuchillos y otros utensilios con bordes afilados se tienen que colocar en el Cesto de cubiertos con las puntas hacia abajo o se deben colocar horizontalmente en los compartimentos desplegados de la bandeja superior.

SUJECIONES PLEGABLES CON POSICIÓN AJUSTABLE

Las sujeciones plegables laterales se pueden plegar o desplegar para optimizar la disposición de la vajilla en el cesto. Las copas de vino quedan bien aseguradas en las sujeciones plegables insertando el tallo de cada copa en las ranuras correspondientes. Dependiendo del modelo:

- para desplegar las sujeciones, deslícelas hacia arriba y gírelas o suéltelas de los cierres y tire de ellas hacia abajo.
- para plegar las sujeciones, gírelas y deslícelas hacia abajo o tire de ellas hacia arriba y fíjelas en los cierres.



USO DIARIO

1. COMPROBACIÓN DE LA CONEXIÓN DE AGUA

Compruebe que el lavavajillas esté conectado al suministro de agua y que el grifo esté abierto.

2. ENCENDIDO DEL LAVAVAJILLAS

Abra la puerta y pulse el botón **Encendido/Apagado**.

3. CARGA DE LAS BANDEJAS

(consulte el LLENADO DEL LAVAVAJILLAS)

4. LLENADO DEL DISPENSADOR DE DETERGENTE

5. ESCOGER EL PROGRAMA Y PERSONALIZAR EL CICLO

Seleccione el programa más apropiado según el tipo de vajilla y el nivel de suciedad (consulte DESCRIPCIÓN DE PROGRAMAS) pulsando el botón **P**.

Seleccione las opciones deseadas (consulte las OPCIONES Y FUNCIONES).

6. INICIO

Inicie el ciclo de lavado pulsando el botón **INICIO/Pausa** (el led se enciende) y cerrando la puerta en un plazo de 4 seg. Cuando el programa se inicia se oye una señal acústica. Si la puerta no se ha cerrado en un plazo de 4 seg, suena la alarma. En este caso, abra la puerta, pulse el botón **INICIO/Pausa** y vuelva a cerrar la puerta en un plazo de 4 seg.

7. FINALIZACIÓN DEL CICLO DE LAVADO

La finalización del ciclo de lavado se indica con pitidos y el indicador luminoso del programa seleccionado parpadea. Abra la puerta y apague el aparato pulsando el botón **ENCENDIDO/APAGADO**. Espere unos minutos antes de retirar la vajilla, para evitar quemaduras. Descargue las bandejas, empezando por la inferior.

La máquina se apagará automáticamente durante ciertos periodos largos de inactividad, para minimizar el consumo de electricidad.

Si la vajilla está solo ligeramente sucia o si se ha aclarado con agua antes de colocarla en el lavavajillas, le aconsejamos que reduzca la cantidad de detergente utilizada.

MODIFICACIÓN DE UN PROGRAMA EN CURSO

Si se ha equivocado al seleccionar el programa, se puede cambiar, siempre que acabe de empezar: abra la puerta, mantenga pulsado el botón **ENCENDIDO/APAGADO**; la máquina se apagará.

Vuelva a encender la máquina con el botón **ENCENDIDO/APAGADO** y seleccione el nuevo ciclo de lavado y cualquier opción que se desee; inicie el ciclo pulsando el botón **INICIO/Pausa** y cerrando la puerta en un plazo de 4 seg.

AÑADIR MÁS VAJILLA

Sin apagar la máquina, abra la puerta (el led **INICIO/Pausa** empieza a parpadear) (**¡tenga cuidado con el vapor CALIENTE!**) y ponga la vajilla dentro del lavavajillas. Pulse el botón **INICIO/Pausa** y cierre la puerta en un plazo de 4 seg; el ciclo se reanudará desde el punto en el cual se interrumpió.

INTERRUPCIONES ACCIDENTALES

Si se abre la puerta durante el ciclo de lavado, o si hay un corte de corriente, el ciclo se detiene. Para reanudar el ciclo desde donde se interrumpió, pulse el botón **INICIO/Pausa** y cierre la puerta en un plazo de 4 seg.

SUGERENCIAS Y CONSEJOS

CONSEJOS

Antes de cargar los cestos, elimine todos los residuos de comida de la vajilla y vacíe los vasos. **No es necesario aclarar previamente con agua corriente.** Coloque la vajilla de tal modo que quede bien sujeta y no se vuelque; y coloque los recipientes con las bocas hacia abajo y las partes cóncavas/convexas en posición oblicua, permitiendo que el agua llegue a todas las superficies y fluya libremente.

Advertencia: tapas, mangos, bandejas y sartenes no deben impedir que los brazos aspersores giren.

Coloque cualquier objeto pequeño en el Cesto de cubiertos. La vajilla y los utensilios muy sucios se deberían colocar en la bandeja inferior porque en este sector los aspersores de agua son más resistentes y permiten un rendimiento de lavado superior.

Una vez cargado el aparato, asegúrese de que los brazos aspersores puedan girar libremente.

VAJILLA INADECUADA

- Vajilla y cubiertos de madera.
- Cristalería con adornos delicados, artesanía y vajilla antigua. Los adornos no son resistentes.
- Partes de material sintético que no resistan altas temperaturas.
- Vajilla de cobre y latón.
- Vajilla sucia de ceniza, cera, grasa lubricante o tinta.

Los colores de los adornos del cristal y las piezas de aluminio/plata pueden cambiar y descolorarse durante el proceso de lavado. Algunos tipos de vidrios (p. ej. los objetos de cristal) también pueden volverse opacos después de varios ciclos de lavado.

DAÑOS A LA CRISTALERÍA Y A LA VAJILLA

- Utilice solo cristalería y porcelana garantizadas por el fabricante como aptas para lavavajillas.
- Utilice un detergente delicado adecuado para la vajilla
- Saque la cristalería y la cubertería del lavavajillas inmediatamente después de la finalización del ciclo de lavado.

CONSEJOS SOBRE AHORRO ENERGÉTICO

- Si el lavavajillas doméstico se utiliza siguiendo las instrucciones del fabricante, **lavar platos en el lavavajillas suele consumir MENOS ENERGÍA y agua que el lavado a mano.**
- Para maximizar la eficiencia del lavavajillas, **se recomienda iniciar el ciclo de lavado cuando el lavavajillas esté totalmente cargado.** Cargar el lavavajillas doméstico hasta la capacidad indicada por el fabricante contribuirá a ahorrar energía y agua. Puede encontrar información sobre la carga correcta de la vajilla en el capítulo CARGA DE LAS CESTAS. En caso de carga parcial, se recomienda utilizar las opciones de lavado específicas si están disponibles (Media carga/ Zone Wash/ Multizonas), llenando solo las cestas seleccionadas. La carga incorrecta o excesiva del lavavajillas puede aumentar el consumo de recursos (como el agua, la energía y el tiempo, así como el nivel de ruido), reduciendo el rendimiento de lavado y de secado.
- El preaclarado manual de la vajilla conlleva un mayor consumo de agua y energía y no está recomendado.

HIGIENE

Para evitar malos olores y sedimentos que se pueden acumular en el lavavajillas, **ejecute un programa a alta temperatura al menos una vez al mes.** Utilice una cucharadita de café de detergente y ejecútelos sin carga para limpiar el aparato.

CUIDADOS Y MANTENIMIENTO

LIMPIEZA DEL CONJUNTO DE FILTRADO

Limpie regularmente el conjunto de filtrado para que los filtros no se obturen y para que el agua residual salga libremente.

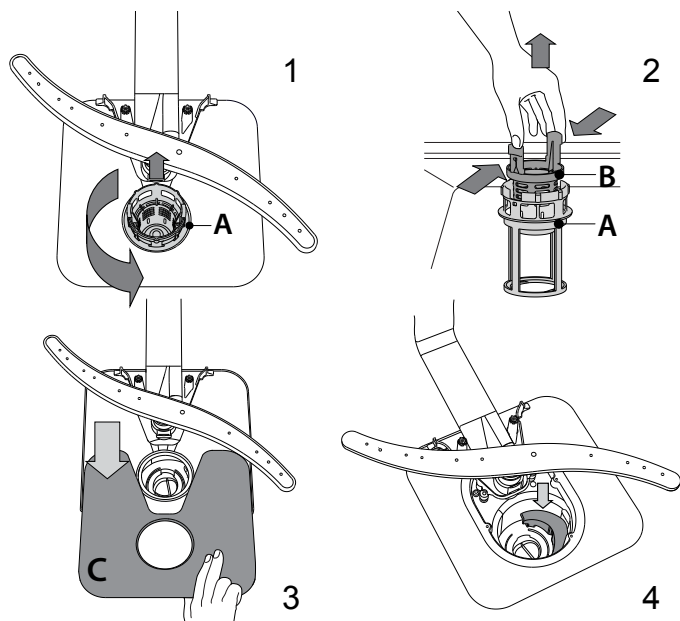
El uso del lavavajillas con los filtros obstruidos o con objetos extraños en el sistema de filtrado o en los aspersores puede provocar fallos de funcionamiento que pueden derivar en una pérdida del rendimiento, un aumento del ruido o un mayor consumo de recursos.

El conjunto de filtrado está formado por tres filtros que eliminan los restos de comida del agua de lavado y que hacen recircular el agua.

El lavavajillas no se debe usar sin filtros o si el filtro está suelto.

Al menos una vez al mes o cada 30 ciclos, revise el conjunto de filtrado y, si es necesario, límpielo a fondo con agua corriente, utilizando un cepillo no metálico y siguiendo estas instrucciones:

1. Gire el filtro cilíndrico **A** hacia la izquierda y extráigalo (Fig 1).
2. Extraiga el filtro en forma de saco **B** ejerciendo una ligera presión en las sujeciones laterales (Fig 2).
3. Extraiga el filtro de placa de acero inoxidable **C** (Fig 3).
4. Si encuentra objetos extraños (como cristales rotos, porcelana, huesos, semillas, etc.) **retírelos con cuidado**.
5. Inspeccione la trampilla y retire cualquier resto de comida. **NO RETIRE NUNCA** la protección de la bomba del ciclo de lavado (detalle negro) (Fig 4).



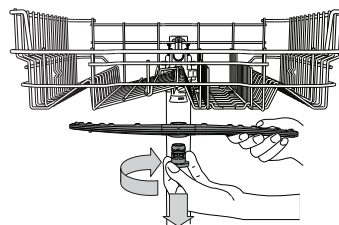
Una vez limpiados los filtros, recolocarlo el conjunto de filtrado y encájelo correctamente en su sitio; esto es esencial para garantizar el funcionamiento eficiente del lavavajillas.

LIMPIEZA DE LA MANGUERA DE ENTRADA DE AGUA

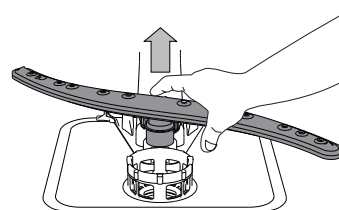
Si las mangueras del agua son nuevas o no se han utilizado durante un largo periodo de tiempo, deje correr el agua para asegurarse de que estén limpias y libres de impurezas antes de realizar las conexiones necesarias. Si no se toma esta precaución, la entrada de agua se podría bloquear y dañar el lavavajillas.

LIMPIEZA DE LOS BRAZOS ASPERSORES

A veces, los residuos de comida se pueden incrustar en los brazos aspersores y bloquear los orificios por donde sale el agua. Por lo tanto, se recomienda revisar los brazos de vez en cuando y limpiarlos con un pequeño cepillo no metálico.



Para extraer el brazo aspersor superior, gire el anillo de cierre de plástico hacia la derecha. El brazo rociador superior se tiene que recolocar de tal modo que el lado con más agujeros mire hacia arriba.



El brazo aspersor inferior se puede desmontar ejerciendo presión hacia arriba.

SISTEMA DE ABLANDAMIENTO DE AGUA

El ablandador del agua reduce automáticamente la dureza del agua, evitando así la acumulación de incrustaciones en el calentador y permitiendo también una mayor eficiencia del lavado.

Este sistema se regenera con sal, por lo que es necesario rellenar el depósito de sal cuando está vacío.

La frecuencia de la regeneración depende del ajuste del nivel de dureza del agua. La regeneración se produce una vez cada **6** ciclos Eco con la dureza del agua ajustada en el nivel **3**.

El proceso de regeneración comienza en el aclarado final y termina en la fase de secado, antes de que termine el ciclo.

- Una regeneración consume: ~3,5 l de agua;
- Añade hasta 5 minutos adicionales al ciclo;
- Consume menos de 0,005 kWh de energía.

RESOLUCIÓN DE PROBLEMAS

Si su lavavajillas no funciona correctamente, compruebe si el problema se puede resolver revisando la siguiente lista. En caso de errores o problemas, póngase en contacto con nuestro Servicio Postventa, cuyos detalles de contacto puede encontrar en el folleto de la garantía. Las piezas de repuesto estarán disponibles por un período de hasta 7 o hasta 10 años, de acuerdo con los requisitos específicos del Reglamento.

PROBLEMAS	CAUSAS POSIBLES	SOLUCIONES
El indicador de la sal está encendido	El depósito de sal está vacío. (Una vez rellenado, el indicador de la sal puede permanecer encendido durante varios ciclos de lavado).	Llene el depósito con sal (para obtener más información, consulte la página 2). Ajuste la dureza del agua, consulte la tabla de la página 2.
El lavavajillas no se pone en marcha o no responde a las órdenes.	El aparato no está bien enchufado.	Introduzca el enchufe en la toma.
	Apagón.	Por razones de seguridad, el lavavajillas no se reiniciará automáticamente cuando se restablezca la alimentación eléctrica. Abra la puerta del lavavajillas, pulse el botón INICIO/Pausa y cierre la puerta en un plazo de 4 segundos.
	La puerta del lavavajillas no está bien cerrada.	Empuje fuerte la puerta hasta que oiga el «clac».
	Se interrumpe el ciclo al abrir la puerta durante > 4 segundos.	Pulse INICIO/Pausa y cierre la puerta antes de 4 segundos.
El lavavajillas no se vacía.	No responde a las órdenes.	Apague el aparato pulsando el botón ENCENDIDO/APAGADO , vuélvalo a encender aproximadamente al cabo de un minuto y reinicie el programa. Si el problema persiste, desenchufe el aparato durante 1 minuto y vuelva a enchufarlo.
	El ciclo de lavado todavía no ha finalizado.	Espera a que el ciclo de lavado termine.
	El tubo de desagüe está doblado.	Compruebe que el tubo de desagüe no esté doblado (consulte las INSTRUCCIONES DE INSTALACIÓN).
El lavavajillas hace demasiado ruido.	El tubo de desagüe del fregadero está bloqueado.	Limpie el tubo de desagüe del fregadero.
	El filtro está obturado con restos de comida.	Limpie el filtro (consulte la LIMPIEZA DEL CONJUNTO DE FILTRADO).
El lavavajillas hace demasiado ruido.	Los artículos chocan entre ellos.	Coloque la vajilla correctamente (consulte el LLENADO DEL LAVAVAJILLAS).
	Se ha producido una cantidad de espuma excesiva.	El detergente no se ha dosificado correctamente o no es adecuado para lavavajillas (consulte el LLENADO DEL DISPENSADOR DE DETERGENTE). Restablezca el ciclo en curso apagando el lavavajillas, vuélvalo a encender, seleccione un nuevo programa, pulse INICIO/Pausa y cierre la puerta en un plazo de 4 segundos. No añada detergente.
La vajilla no está limpia.	La vajilla no está bien colocada.	Coloque la vajilla correctamente (consulte el LLENADO DEL LAVAVAJILLAS).
	Los brazos aspersores no pueden girar libremente, obstaculizados por la vajilla.	Coloque la vajilla correctamente (consulte el LLENADO DEL LAVAVAJILLAS).
	El ciclo de lavado es demasiado suave.	Seleccione un ciclo de lavado adecuado (consulte la TABLA DE PROGRAMAS).
	Se ha producido una cantidad de espuma excesiva.	El detergente no se ha dosificado correctamente o no es adecuado para lavavajillas (consulte el LLENADO DEL DISPENSADOR DE DETERGENTE).
	El tapón del compartimento del abrillantador no se ha cerrado correctamente.	Compruebe que el tapón del dispensador de abrillantador esté cerrado.
	El filtro está sucio u obturado.	Limpie el conjunto de filtrado (consulte CUIDADO Y MANTENIMIENTO).
	No hay sal.	Llene el depósito de sal (consulte el LLENADO DEL DEPÓSITO DE SAL).
El lavavajillas no se llena de agua. Todos los LED son parpadeando rápidamente	No hay entrada de agua o el grifo está cerrado.	Compruebe que haya suministro de agua o que el grifo esté abierto.
	La manguera de entrada está doblada.	Asegúrese de que la manguera de entrada no esté doblada (consulte INSTALACIÓN) vuelva a programar el lavavajillas y reinicie.
El lavavajillas finaliza el ciclo de forma prematura.	El tamiz de la manguera de entrada está obstruido; hay que limpiarlo.	Una vez comprobado y limpiado, apague y encienda el lavavajillas y reinicie un nuevo programa.
	El tubo de desagüe está demasiado bajo o bloquea el sistema de desagüe de la casa.	Compruebe si el extremo del tubo de desagüe está colocado a la altura correcta (consulte INSTALACIÓN). Compruebe si está obstruyendo el sistema de desagüe de la casa e instale una válvula de entrada de aire si es necesario.
	Aire en el suministro de agua.	Compruebe que el suministro de agua no tenga fugas o defectos que dejen entrar aire.

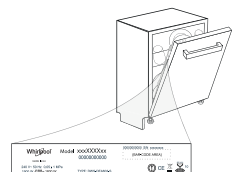
Puede consultar los reglamentos, la documentación estándar, así como pedir piezas de repuesto, mediante alguna de las siguientes formas:



- Visitando nuestra página web docs.indesit.eu y parts-selfservice.whirlpool.com
- Escaneando el código QR
- También puede ponerse en contacto con nuestro Servicio Postventa (Consulte el número de teléfono en el folleto de la garantía). Cuando se ponga en contacto con nuestro Servicio Postventa, deberá indicar los códigos que figuran en la placa de características de su producto.

La información del modelo puede consultarse a través del código QR de la etiqueta energética.

La etiqueta también contiene el identificador del modelo que puede usarse para consultar el portal del registro en <https://eprel.ec.europa.eu>.



400011652613B

01/2023 ks - Xerox Fabriano



GUIDE D'UTILISATION QUOTIDIENNE

D'UTILISATION QUOTIDIENNE



MERCI D'AVOIR CHOISI UN PRODUIT INDESIT.
Afin de recevoir une assistance plus complète, merci d'enregistrer votre appareil sur on:
www.indesit.com/register

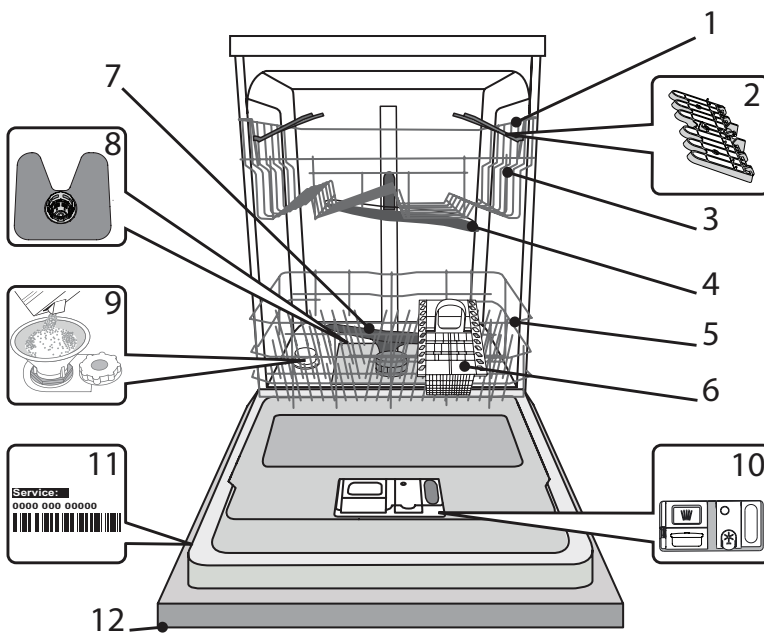


Vous pouvez télécharger les Consignes de sécurité et le Manuel de l'utilisateur, en visitant notre site Internet docs.indesit.eu et en suivant les instructions figurant au verso du présent fascicule.

Avant d'utiliser l'appareil, lisez attentivement les Consignes de sécurité.

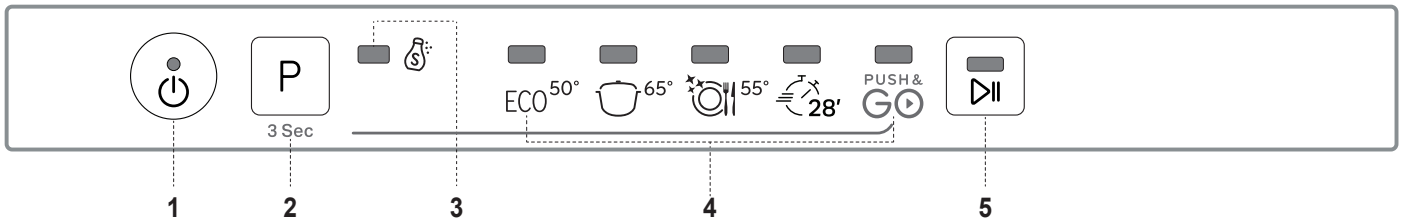
DESCRIPTION DU PRODUIT

APPAREIL



1. Panier supérieur
2. Volets pliables
3. Bouton de réglage de la hauteur du panier supérieur
4. Bras d'aspersion supérieur
5. Panier inférieur
6. Panier à couver
7. Bras d'aspersion inférieur
8. Ensemble filtre
9. Réservoir à sel
10. Distributeurs de détergent et liquide de rinçage
11. Plaque signalétique
12. Panneau de commande

PANNEAU DE COMMANDE



1. Touche Marche-Arrêt/Réinitialisation avec le voyant
2. Sélecteur de programme / Push&GO
3. Voyant de niveau de sel
4. Voyants de programme
5. Touche START/Pause avec le voyant

PREMIÈRE UTILISATION

SEL, LIQUIDE DE RINÇAGE, ET DÉTERGENT


CONSEILS AU SUJET DE LA PREMIÈRE UTILISATION

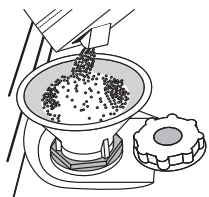
Après l'installation, enlevez les boulons d'arrêt sur les paniers et les éléments élastiques qui retiennent le panier supérieur.

REEMPLIR LE RÉSERVOIR DE SEL

L'utilisation de sel empêche la formation de CALCAIRE sur la vaisselle et sur les composantes fonctionnelles de l'appareil.

- Le **RÉSERVOIR DE SEL NE DOIT JAMAIS ÊTRE VIDE.**
- Il est important de régler la dureté de l'eau.

Le réservoir de sel est situé dans la partie inférieure du lave-vaisselle (voir DESCRIPTION DU PRODUIT) et il doit être rempli quand le voyant **NIVEAU DE SEL**  est allumé sur le panneau de commande.



1. Enlevez le panier inférieur et dévissez le bouchon du réservoir (sens antihoraire).
2. La première fois uniquement, vous devez effectuer l'opération suivante : Remplissez d'eau le réservoir à sel.
3. Placez l'entonnoir (voir figure) et remplissez le réservoir de sel jusqu'au bord (environ 1 kg); il est normal qu'un peu d'eau déborde.
4. Enlevez l'entonnoir et essuyez les résidus de sel autour de l'ouverture.

Assurez-vous que le bouchon est bien serré pour éviter que du détergent pénètre dans le réservoir durant le cycle de lavage (le réservoir pourrait s'endommager au point de ne plus être réparable).

Après chaque ajout de sel dans le réservoir, il est obligatoire de lancer immédiatement un cycle de lavage afin d'éviter toute corrosion de la cuve.

RÉGLER LA DURETÉ DE L'EAU

Pour que l'adoucisseur d'eau fonctionne à la perfection, il est important de régler la dureté de l'eau aux conditions existantes dans votre résidence. Cette information peut être obtenue de votre fournisseur d'eau local.

L'usine règle la valeur par défaut de la dureté de l'eau.

- Allumer l'appareil en appuyant sur la touche **MARCHE/ARRÊT.**
- Éteindre l'appareil en appuyant sur la touche **MARCHE/ARRÊT.**
- Appuyer sur la touche **P** pendant 5 secondes ; un bip se fait entendre.
- Allumer l'appareil en appuyant sur la touche **MARCHE/ARRÊT.**
- Le voyant pour le programme du niveau de réglage actuel clignote
- Appuyer sur la touche **P** pour sélectionner le niveau de dureté désiré (voir TABLEAU DE DURETÉ DE L'EAU).

Level		°dH Degrés allemand	°fH Degrés français	°Clark Degrés anglais
1	Très douce	0 - 6	0 - 10	0 - 7
2	Moyenne	7 - 11	11 - 20	8 - 14
3	Douce	12 - 16	21 - 29	15 - 20
4	Dure	17 - 34	30 - 60	21 - 42
5	Très dure	35 - 50	61 - 90	43 - 62

- Éteindre l'appareil en appuyant sur la touche **MARCHE/ARRÊT.**

Le réglage est terminé !

Une fois cette opération complétée, lancez un programme sans charger le lave-vaisselle.

Utilisez seulement le sel spécialement conçu pour les lavevaisselles.

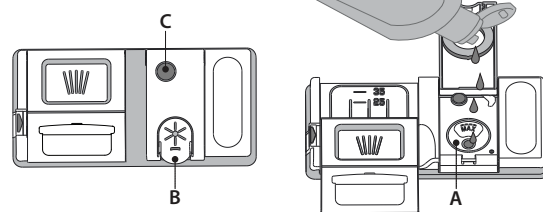
Lorsque le sel est versé dans l'appareil, le voyant AJOUTER DU SEL s'éteint.

Si le contenant de sel n'est pas rempli, l'adoucisseur et l'élément chauffant peuvent être endommagés à cause de l'accumulation de calcaire.

L'utilisation de sel est recommandée avec n'importe quel type de lessive pour lave-vaisselle.

REEMPLIR LE DISTRIBUTEUR DE LIQUIDE DE RINÇAGE

Le liquide de rinçage permet à la vaisselle de SÉCHER plus facilement. Le distributeur de liquide de rinçage **A** devrait être rempli lorsque le témoin optique sombre sur la porte du distributeur **C** devient transparent.



1. Ouvrez le distributeur **B** en appuyant et en tirant sur l'onglet sur le couvercle.
 2. Versez doucement du liquide de rinçage jusqu'à la marque de référence (110 ml) du réservoir de remplissage - évitez les débordements. Si cela se produit, nettoyez les dégâts immédiatement avec un linge sec.
 3. Appuyez sur le bouchon pour le fermer; un clic se fait entendre.
- Ne JAMAIS verser le liquide de rinçage directement dans la cuve.**

AJUSTER LE DOSAGE DU LIQUIDE DE RINÇAGE

Si vous n'êtes pas complètement satisfait avec le séchage, vous pouvez ajuster la quantité de liquide de rinçage utilisée.

- Allumez le lave-vaisselle en utilisant la touche **MARCHE/ARRÊT.**
- Éteignez-le en utilisant la touche **MARCHE/ARRÊT.**
- Appuyez sur la touche **P** à trois reprises - vous entendrez un bip.
- Allumez-le en utilisant la touche **MARCHE/ARRÊT.**
- Le voyant pour le programme du niveau de réglage actuel clignote.
- Appuyez sur la touche **P** pour sélectionner la quantité de liquide de rinçage qui doit être utilisée.
- Éteignez-le en utilisant la touche **MARCHE/ARRÊT**

Le réglage est terminé !

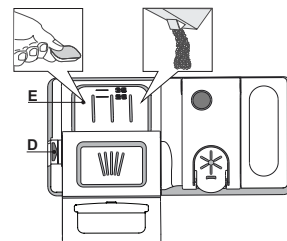
Si le niveau de liquide de rinçage est à 1 (ÉCO), il n'y aura pas de liquide de rinçage distribué.

Un maximum de 5 niveaux peuvent être réglés selon le modèle du lave-vaisselle. Les réglages d'usine sont spécifiques au modèle, merci de suivre les instructions ci-dessus pour vérifier ceux qui s'appliquent à votre machine.

- Si vous observez des traces bleuâtres sur la vaisselle, placez sur un niveau plus bas (2-3).
- Si vous observez des gouttelettes d'eau ou des traces de calcaire sur la vaisselle, placez sur un niveau plus haut (4-5).

REEMPLIR LE DISTRIBUTEUR DE DÉTERGENT

Pour ouvrir le distributeur de détergent, utilisez le dispositif d'ouverture D. Insérez le détergent dans le distributeur sec E seulement. Placez la quantité de détergent pour le pré-lavage directement dans la cuve.



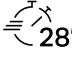



1. Lorsque vous mesurez la lessive, consultez les informations mentionnées précédemment pour ajouter la quantité correcte. À l'intérieur du distributeur **E** se trouvent des indications pour aider au dosage de la lessive.
2. Enlevez les résidus de détergent sur le bord des récipients avant de fermer le couvercle; un clic se fait entendre.
3. Fermez le couvercle du distributeur de détergent en le tirant vers le haut jusqu'à ce que le dispositif soit fermement en place.

Le distributeur de détergent s'ouvre automatiquement, au moment déterminé par le programme.

L'utilisation d'un détergent non-conçu pour les lave-vaisselles peut provoquer un dysfonctionnement ou des dommages à l'appareil.

TABLEAU DES PROGRAMMES

Programme			Séchage	Durée du programme de lavage (h:min)* ¹	Consommation d'eau (l/cycle)	Consommation d'énergie (kWh/cycle)
1. Éco	ECO	50°	✓	3:35	9,5	0,95
2. Intensif		65°	✓	2:40	18,0	1,60
3. Mixte		55°	✓	2:15	16,0	1,40
4. Fast&Clean 28'		50°	-	0:28	9,0	0,50
5. Push&GO		50°	✓	1:30	11,5	1,30

Les données du programme Éco sont mesurées sous des conditions en laboratoire conformément à la norme européenne EN 60436:2020.

Note pour les laboratoires d'essai : pour toutes informations sur les conditions d'essai comparatif EN, s'adresser à : dw_test_support@whirlpool.com

Aucun prétraitement de la vaisselle n'est nécessaire avant l'un quelconque des programmes.

^{*)} Les valeurs indiquées pour des programmes différents du programme Éco sont fournis à titre indicatif uniquement. Le temps réel peut varier selon des facteurs comme la température et la pression de l'eau, la température de la pièce, la quantité de détergent, la quantité et le type de vaisselle, l'équilibre de la charge, les options supplémentaires sélectionnées, et la calibration du capteur. La calibration du capteur peut augmenter la durée du programme jusqu'à 20 minutes.

DESCRIPTION DES PROGRAMMES

Consignes pour la sélection du cycle de lavage.

1 ÉCO

Le programme Eco est adapté pour nettoyer la vaisselle normalement sale, et pour cette utilisation, c'est le programme le plus efficace en termes d'énergie combinée et de consommation d'eau, et il est utilisé pour évaluer la conformité à la législation européenne en matière d'éco-conception.

2 INTENSIF

Programme conseillé pour une vaisselle très sale, particulièrement adapté pour les poêles et les casseroles (ne pas utiliser avec la vaisselle délicate).

3 MIXTE

Saleté mixte. Pour la vaisselle normalement sale avec des résidus de nourriture secs.

4 FAST&CLEAN 28'

Programme à utiliser pour la demi-charge de vaisselle légèrement sale sans résidus alimentaires séchés. N'a pas de phase de séchage

5 PUSH&GO

Lavage et cycle de séchage quotidiens qui assurent de bonnes performances de nettoyage pendant un court moment sans nécessité de pré-traiter la vaisselle.

Remarques :

Il convient de noter que le cycle *Fast&Clean 28'* est destiné uniquement à la vaisselle légèrement sale.

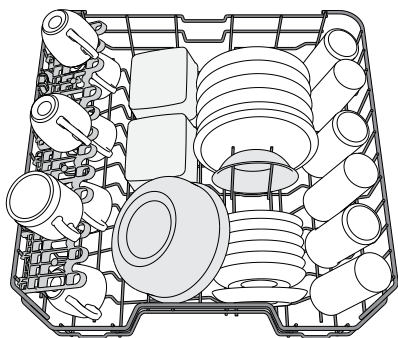
PUSH&GO

Le bouton Push&GO est un bouton facile à distinguer qui vous permet d'accéder directement au programme Push&GO, un cycle de lavage et séchage qui assure de bonnes performances de nettoyage sur un court délai. Vous n'avez pas à vous préoccuper du programme à choisir, le cycle Push&GO fera le travail pour vous.

Pour sélectionner le programme Push&GO, allumez l'appareil, appuyez uniquement sur le bouton **P** pendant 3 secondes (le témoin correspondant s'allume) et fermez la porte dans les 4 secondes qui suivent.

CHARGEMENT DES PANIERS

PANIER SUPÉRIEUR

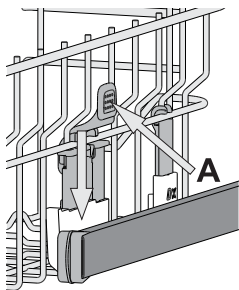


Chargez la vaisselle délicate et légère: verres, tasses, soucoupes, saladiers bas.

(exemple de chargement du panier supérieur)

AJUSTER LA HAUTEUR DU PANIER SUPÉRIEUR

Vous pouvez ajuster la hauteur du panier supérieur : position élevée pour placer la vaisselle encombrante sur le panier inférieur, et la position basse pour profiter au maximum des supports rabattables et créant plus d'espace vers le haut et éviter les chocs avec les articles sur le panier inférieur. Le panier supérieur comprend un **dispositif de réglage de la hauteur du panier supérieur** (voir figure), sans appuyer sur les leviers, simplement soulever en tenant le panier sur les côtés jusqu'à ce qu'il soit stable en position élevée. Pour abaisser le panier, appuyez sur les leviers **A** sur les côtés du panier et déplacez-le vers le bas.



Nous vous conseillons fortement de ne pas ajuster la hauteur du panier lorsqu'il est chargé. Ne JAMAIS soulever ou abaisser un seul côté du panier.

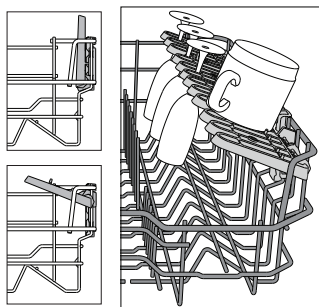
VOLETS PLIABLES AVEC POSITIONS AJUSTABLES

Les volets pliables latéraux peuvent être pliés ou dépliés afin d'optimiser la disposition de la vaisselle à l'intérieur du rack.

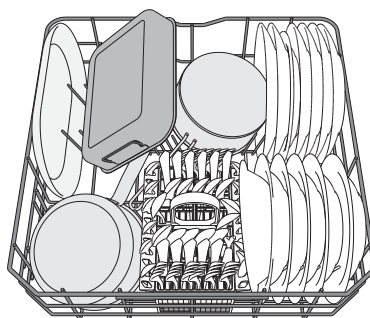
Les verres de vin peuvent être placés de façon sécuritaire dans les volets pliables en insérant le pied de chaque verre dans la fente correspondante.

Selon le modèle :

- pour déplier les volets, il est nécessaire de les coulisser vers le haut et de les tourner ou de les libérer des griffes et de les tirer vers le bas.
- pour replier les volets, il est nécessaire de les tourner et de les faire coulisser vers le bas ou de les tirer vers le haut et de fixer les pattes aux griffes



PANIER INFÉRIEUR

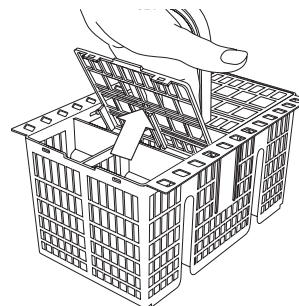


(exemple de chargement du panier inférieur)

Pour les poêles, les couvercles, les plats, les saladiers, les couverts, etc. Les grands plats et les grands couvercles devraient être placés sur le côté pour éviter qu'ils n'entravent le fonctionnement des bras d'aspersion.

PANIER À COUVERT

Le panier comprend des grilles supérieures pour placer les couverts plus facilement. Le panier à couvert doit uniquement être placé à l'avant du panier inférieur.



Les couteaux et autres ustensiles avec des bords tranchants doivent être placés dans le panier à couvert avec la pointe vers le bas, ou placés à l'horizontale dans le compartiment rabattable sur le panier supérieur.

UTILISATION QUOTIDIENNE

1. VÉRIFIER LE BRANCHEMENT DE L'EAU

Assurez-vous que l'appareil est raccordé à un réseau d'alimentation et que le robinet de l'eau est ouvert.

2. ALLUMER LE LAVE-VAISSELLE

Ouvrez la porte et appuyez sur la touche **MARCHE/ARRÊT**.

3. CHARGER LES PANIERS (voir CHARGEMENT DES PANIERS).

4. REMPLIR DE DISTRIBUTEUR DE DÉTERGENT

5. CHOISIR LE PROGRAMME ET PERSONNALISER LE CYCLE

Sélectionnez le meilleur programme selon le type de vaisselle et le niveau de saleté (voir *DESCRIPTION DES PROGRAMMES*) en appuyant sur la touche **P**.

Sélectionnez les options désirées (voir *OPTIONS ET FONCTIONS*).

6. DÉMARRER

Démarrez le cycle de lavage en appuyant sur le bouton **START/Pause** (le témoin est allumé) et en fermant la porte dans les 4 secondes. Quand le programme démarre, vous entendez un bip simple. Si la porte n'a pas été fermée dans les 4 secondes, le signal d'alarme est activé. Dans ce cas, ouvrez la porte, appuyez sur le bouton **START/Pause** et fermez de nouveau la porte dans les 4 sec.

7. FIN DU CYCLE DE LAVAGE

La fin du cycle de lavage est indiquée par des bips et par le clignotement du voyant du programme sélectionné. Ouvrez la porte et éteignez l'appareil en appuyant sur la touche **MARCHE/ARRÊT**. Pour éviter de vous brûler, attendez quelques minutes avant de retirer la vaisselle. Déchargez les paniers en commençant par le panier inférieur.

L'appareil s'éteint automatiquement durant des périodes d'inactivité prolongées pour réduire la consommation d'énergie. Si la vaisselle est légèrement sale ou si elle a été rincée avec à l'eau avant d'être placée dans le lave-vaisselle, réduisez la quantité de détergent utilisée en conséquence.

MODIFIER UN PROGRAMME EN COURS

Si vous avez sélectionné le mauvais programme, vous pouvez le changer, à condition que ce soit fait au tout début du cycle: ouvrir la porte, appuyer sur le bouton **MARCHE/ARRÊT** et le maintenir enfoncé, la machine s'éteindra.

Rallumez l'appareil en appuyant sur la touche **MARCHE/ARRÊT** et sélectionnez le nouveau cycle de lavage et les options désirées ; lancer le cycle en appuyant sur le bouton **START/Pause** et en fermant la porte dans les 4 sec.

AJOUTER DE LA VAISSELLE

Sans éteindre la machine, ouvrir la porte (Le voyant **START/Pause** commencera à clignoter) (**attention à la vapeur CHAUDE !**) et placer la vaisselle à l'intérieur du lave-vaisselle. Appuyer sur le bouton **START/Pause** et fermer la porte dans les 4 sec, le cycle reprendra à l'endroit où il a été interrompu.

INTERRUPTIONS IMPRÉVUES

Si la porte est ouverte pendant le cycle de lavage, ou s'il y a une coupure de courant, le cycle s'arrête. Pour reprendre le cycle à l'endroit où il a été interrompu, appuyer sur le bouton **START/Pause** et fermer la porte dans les 4 sec.

AVIS ET CONSEILS

CONSEILS

Avant de charger les paniers, enlevez tous les résidus de nourriture sur la vaisselle et videz les verres. **Vous n'avez pas besoin de rincer la vaisselle avant de la placer dans le lave-vaisselle.**

Placez la vaisselle pour qu'elle tienne bien en place et ne risque pas de tomber; et placez les récipients avec les ouvertures vers le bas et les parties concaves/convexes de côté pour permettre à l'eau d'atteindre toutes les surfaces et couler librement.

Avertissement : les couvercles, poignées, plaques et poêles à frire n'empêchent pas les bras d'aspersion de tourner. Placez les petits articles dans le panier à couvert. La vaisselle et les casseroles très sales devraient être placées sur le panier inférieur car les jets d'eau sont plus forts dans cette section et permet un meilleur rendement lors du lavage. Après avoir chargé l'appareil, assurez-vous que les bras d'aspersion peuvent bouger librement.

VAISSELLE QUI NE CONVIENT PAS

- Vaisselle et couverts en bois.
- Verres décoratifs délicats, produits artisanaux, et vaisselle antique. Les garnitures ne sont pas résistantes.
- Les pièces en matériel synthétique qui ne supportent pas les hautes températures.
- La vaisselle en cuivre ou en étain.
- La vaisselle tachée de cendre, de cire, de graisse lubrifiante, ou d'encre.

Les couleurs des garnitures de verre et des pièces d'aluminium/argent peuvent changer et ternir durant le cycle de lavage. Certains types de verre (p. ex. les objets en cristal) peuvent aussi devenir opaque après plusieurs cycles de lavage.

VERRES ET VAISSELLE ENDOMMAGÉS

- Seulement utiliser des verres ou de la porcelaine qui sont lavables au lave-vaisselle conformément aux recommandations du fabricant.
- Utilisez un détergent doux, adéquat pour la vaisselle.
- Retirez les verres et les couverts du lave-vaisselle aussitôt que le cycle de lavage est terminé

ASTUCES SUR L'ÉCONOMIE D'ÉNERGIE

- Lorsque le lave-vaisselle domestique est utilisé conformément aux instructions du fabricant, **le lavage de la vaisselle dans un lave-vaisselle consomme habituellement MOINS D'ÉNERGIE et d'eau que le lavage à la main.**
- Afin d'optimiser l'efficacité du lave-vaisselle, il est recommandé de **débuter le cycle de lavage une fois que le lave-vaisselle est totalement chargé.** Le chargement du lave-vaisselle domestique jusqu'à la capacité indiquée par le fabricant contribuera à économiser de l'énergie et de l'eau. Vous trouverez des informations sur le chargement correct de la vaisselle dans le chapitre CHARGEMENT DES PANIERS. En cas de chargement partiel, il est recommandé d'utiliser des options de lavage spécifiques si elles sont disponibles (Demi-charge / Zone Wash/ Multizone), en remplissant uniquement les paniers sélectionnés. Un chargement incorrect ou une surcharge du lave-vaisselle peut augmenter l'utilisation des ressources (telles que l'eau, l'énergie et le temps, et augmenter le niveau de bruit), en réduisant les performances de nettoyage et de séchage.
- Un pré-rinçage manuel des éléments de vaisselle provoque une augmentation de la consommation d'eau et d'énergie et n'est pas recommandé.

HYGIÈNE

Pour éviter les odeurs et les dépôts qui pourraient s'accumuler dans le lave-vaisselle, lancer un programme à haute température au moins une fois par mois. Utilisez une cuillère à café de détergent et lancer le programme sans vaisselle pour nettoyer l'appareil.

NETTOYAGE ET ENTRETIEN

NETTOYER L'ENSEMBLE FILTRE

Nettoyez régulièrement l'ensemble filtre pour éviter qu'il ne se bouche et pour permettre aux eaux usées de bien s'éliminer.

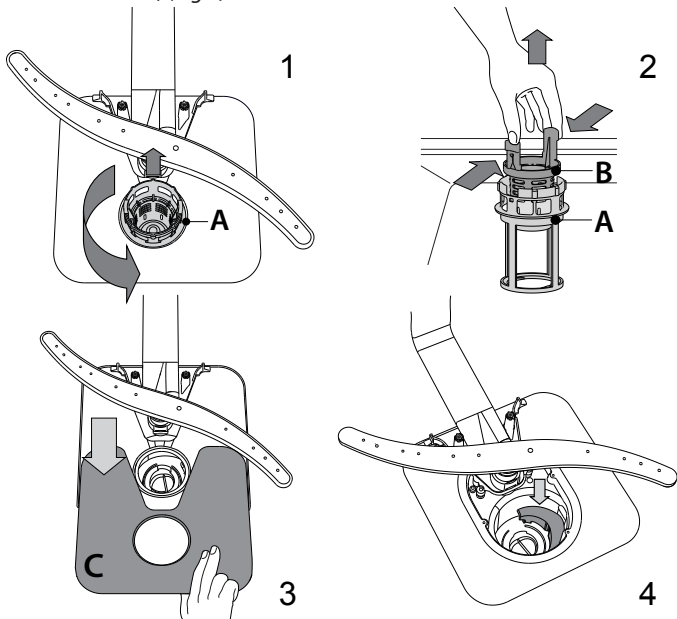
L'utilisation du lave-vaisselle avec des filtres obstrués ou des objets étrangers à l'intérieur du système de filtration ou des bras de pulvérisation peut provoquer un dysfonctionnement de l'unité provoquant une perte de performances, un fonctionnement bruyant ou une utilisation supérieure des ressources.

L'ensemble filtre comprend trois filtres qui séparent les résidus de nourriture de l'eau de lavage pour ensuite faire circuler l'eau.

N'utilisez pas le lave-vaisselle sans les filtres ou si un filtre est mal ajusté.

Au moins une fois par mois ou tous les 30 cycles, vérifiez l'assemblage du filtre et si nécessaire, nettoyez-le minutieusement sous l'eau courante, en utilisant une brosse non-métallique et en suivant les instructions ci-dessous :

1. Tournez le filtre cylindrique **A** dans le sens antihoraire et retirez-le (Fig. 1).
2. Enlevez le panier du filtre **B** en appliquant une légère pression sur les volets latéraux (Fig. 2).
3. Retirez la plaque du filtre en acier inoxydable **C** (Fig. 3).
4. Si vous trouvez des objets étrangers (comme du verre brisé, de la porcelaine, des os, des pépins de fruits, etc), enlevez-les minutieusement.
5. Inspecter la cavité et enlever les résidus de nourriture. **NE JAMAIS ENLEVER** la protection de la pompe du cycle de lavage (détails en couleur noir) (Fig 4).



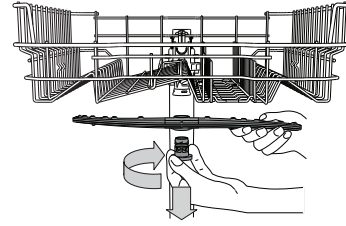
Après avoir nettoyé les filtres, assemblez de nouveau l'ensemble filtre et remettez-le en place correctement; c'est très important pour que le lave-vaisselle garde son efficacité.

NETTOYER LE TUYAU D'ARRIVÉE D'EAU

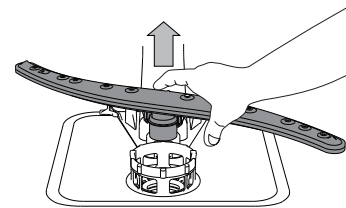
Si les tuyaux d'eau sont neufs ou s'ils n'ont pas été utilisés depuis longtemps, laissez l'eau couler pour vous assurer qu'il n'y a pas d'impureté ou de saleté avant de les brancher. Si vous n'effectuez pas cette opération, l'arrivée d'eau pourrait se boucher et endommager le lave-vaisselle.

NETTOYER LES BRAS D'ASPERSION

À l'occasion, des résidus de nourriture s'incrustent dans les bras d'aspersion et bloquent les trous utilisés pour asperger de l'eau. Il est donc conseillé de vérifier les bras de temps en temps et de les nettoyer avec une petite brosse non métallique.



Pour enlever le gicleur supérieur, tournez l'anneau de verrouillage en plastique dans le sens horaire. Le bras d'aspersion supérieur doit être replacé de façon que le côté avec le plus grand nombre de trous est placé vers le haut.



Le bras d'aspersion inférieur peut être enlevé en le tirant vers le haut.

SYSTÈME ADOUCISSEUR D'EAU

L'adoucisseur d'eau réduit automatiquement la dureté de l'eau, en empêchant ainsi la formation de calcaire sur la résistance, et en contribuant également à une meilleure performance de nettoyage.

Ce système se régénère avec du sel, il est donc nécessaire de remplir le bac de sel lorsqu'il est vide.


La fréquence de régénération dépend du réglage du niveau de dureté de l'eau - la régénération a lieu une fois tous les **6** cycles Eco avec un niveau de dureté de l'eau réglé à **3**.

Le processus de régénération débute lors du rinçage final et se termine en phase de séchage avant la fin du cycle.

- Une régénération simple consomme : ~3,5 L d'eau ;
- Prend jusqu'à 5 minutes supplémentaires pour le cycle ;
- Consomme moins de 0,005 kWh d'énergie.

DÉPANNAGE

Si votre lave-vaisselle ne fonctionne pas correctement, vérifiez si le problème peut être résolu en suivant la liste ci-après. Pour d'autres erreurs ou problèmes, contactez le Service après-vente agréé dont les coordonnées peuvent être trouvées dans le livret de garantie. Les pièces de rechange seront disponibles pour une période allant jusqu'à 7 ou jusqu'à 10 ans, selon les exigences spécifiques du règlement.

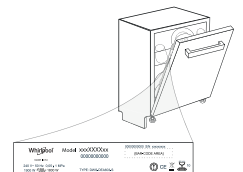
PROBLÈMES	CAUSES POSSIBLES	SOLUTIONS
 L'indicateur de sel est allumé	Le réservoir de sel est vide. (Après le remplissage, il est possible que le voyant du niveau de sel régénérant ne s'éteigne qu'au bout de plusieurs cycles de lavage).	Remplissez le réservoir de sel régénérant (pour plus d'informations, reportez-vous à la page 2). Réglez la dureté de l'eau - reportez-vous au tableau de la page 2.
Le lave-vaisselle ou les commandes ne fonctionnent pas.	L'appareil n'est pas bien branché.	Insérez la fiche dans la prise de courant.
	Panne de courant.	Pour des raisons de sécurité, le lave-vaisselle ne redémarrera pas automatiquement lors du retour de l'alimentation électrique. Ouvrez la porte du lave-vaisselle, appuyez sur le bouton START/Pause, et fermez la porte dans les 4 secondes.
	La porte du lave-vaisselle n'est pas fermée.	Poussez vigoureusement la porte pour entendre le « clic ».
	Le cycle est interrompu par une ouverture de la porte supérieure à 4 secondes.	Appuyer sur START/Pause et fermer la porte dans les 4 secondes.
	Les commandes ne fonctionnent pas. L'afficheur indique :	Éteindre l'appareil en appuyant sur la touche MARCHE/ARRÊT , rallumez-le environ une minute après, et Recommencer le programme. Si le problème persiste, débranchez l'appareil pendant 1 minute, puis rebranchez-le.
Le lave-vaisselle ne se vidange pas.	Le cycle de lavage n'est pas encore terminé.	Attendre que le cycle se termine.
	Le tuyau de vidange est plié.	Assurez-vous que le tuyau de vidange n'est pas plié (voir CONSIGNES D'INSTALLATION).
	Le conduit de vidange de l'évier est bouché.	Nettoyez le conduit de vidange de l'évier.
	Le filtre est bouché par des résidus de nourriture.	Nettoyez le filtre (voir NETTOYAGE DE L'ENSEMBLE FILTRE).
Le lave-vaisselle fait beaucoup de bruit.	La vaisselle s'entrechoque.	Remplacez la vaisselle (voir CHARGEMENT DES PANIERS).
	Il y a une trop grande quantité de mousse.	Le détergent a été mal mesuré ou il n'est pas adéquat pour les lave-vaisselles (voir REmplir LE DISTRIBUTEUR DE DÉTERGENT). Recommencer le cycle en éteignant le lave-vaisselle, puis en le rallumant, sélectionnez un nouveau programme, appuyez sur START/Pause et fermez la porte dans les 4 secondes. Merci de ne pas ajouter de détergent.
La vaisselle n'est pas propre.	La vaisselle n'est pas bien placée.	Remplacez la vaisselle (voir CHARGEMENT DES PANIERS).
	Les bras d'aspersion ne bougent pas librement, ils sont gênés par la vaisselle.	Remplacez la vaisselle (voir CHARGEMENT DES PANIERS).
	Le cycle de lavage est trop délicat.	Sélectionnez le cycle de lavage approprié (voir TABLEAU DES PROGRAMMES).
	Il y a une trop grande quantité de mousse.	Le détergent a été mal mesuré ou il n'est pas adéquat pour les lave-vaisselles (voir REmplir LE DISTRIBUTEUR DE DÉTERGENT).
	Le bouchon du compartiment de liquide de rinçage n'est pas bien fermé.	Assurez-vous que le bouchon du distributeur de liquide de rinçage est fermé.
	Le filtre est sale ou bouché.	Nettoyez l'ensemble de filtre (voir NETTOYAGE ET ENTRETIEN).
Il n'y a pas de sel.	Remplir le réservoir de sel (voir REmplir LE RÉSERVOIR DE SEL).	
L'eau n'arrive pas au lave-vaisselle.	L'alimentation d'eau est vide ou le robinet est fermé.	Assurez-vous qu'il y a de l'eau dans le circuit d'alimentation ou que le robinet est ouvert.
Toutes les LED clignotent rapidement	Le tuyau d'arrivée est plié.	Assurez-vous que le tuyau d'entrée n'est pas plié (voir INSTALLATION) reprogrammez le lave-vaisselle et relancez-le.
	Le tamis dans le tuyau d'arrivée d'eau est obstrué ; il est nécessaire de le nettoyer.	Après avoir complété la vérification et le nettoyage, éteignez et rallumez le lave-vaisselle et redémarrez le programme.
Le lave-vaisselle termine le cycle prématurément	Le tuyau de vidange est positionné trop bas ou se vide dans le système d'évacuation domestique.	Vérifiez si l'extrémité du tuyau de vidange est placée à la hauteur correcte (voir INSTALLATION). Vérifiez la vidange dans le système d'évacuation domestique, installez une vanne d'admission d'air si nécessaire.
	De l'air est présent dans l'alimentation en eau.	Vérifiez si l'alimentation en eau présente des fuites ou d'autres problèmes laissant entrer de l'air.

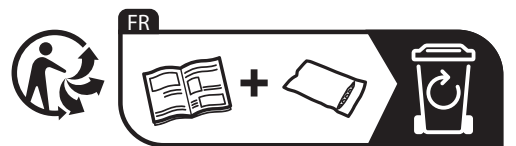
Vous trouverez les documents normatifs, la documentation standard, le classement des pièces de rechange et des informations supplémentaires sur les produits :



- En visitant notre site web docs.indesit.eu et parts-selfservice.whirlpool.com
- En utilisant le code QR.
- Vous pouvez également contacter notre Service après-vente (voir numéro de téléphone dans le livret de garantie). Lorsque vous contactez notre Service après-vente, veuillez indiquer les codes figurant sur la plaque signalétique de l'appareil.

Les informations relatives au modèle peuvent être trouvées en utilisant le QR-Code figurant sur l'étiquette énergétique. L'étiquette comprend également l'identifiant du modèle qui peut être utilisé pour consulter le portail du registre sur le site <https://eprel.ec.europa.eu>





400011652613B

01/2023 ks - Xerox Fabriano



GUIDA RAPIDA GUASTI



GRAZIE PER AVER ACQUISTATO UN PRODOTTO INDESIT
Per ricevere assistenza in modo più completo, registrare il proprio apparecchio sul sito: www.indesit.com/register

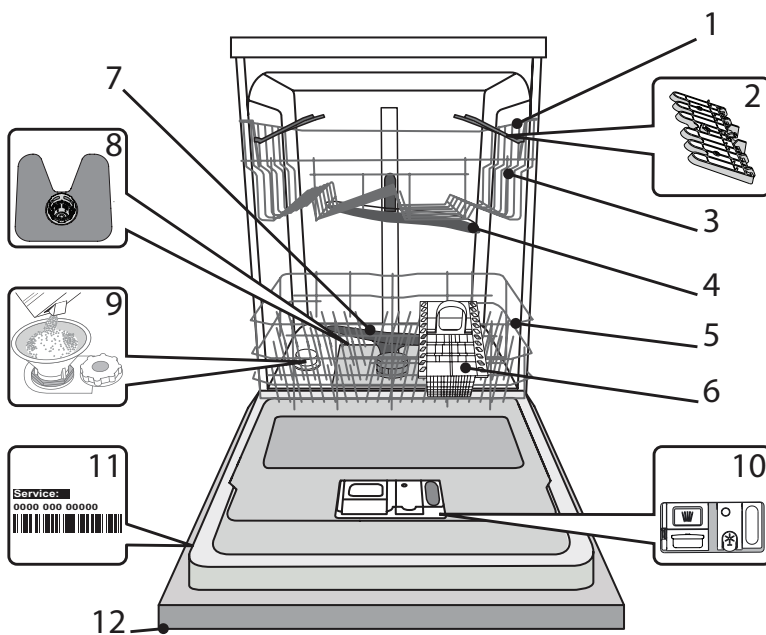


È possibile scaricare le Istruzioni per la sicurezza e le Istruzioni per l'uso dal sito docs.indesit.eu; seguire quindi le istruzioni riportate sul retro del presente libretto.

Prima di utilizzare l'apparecchio, leggere attentamente le Istruzioni per la sicurezza.

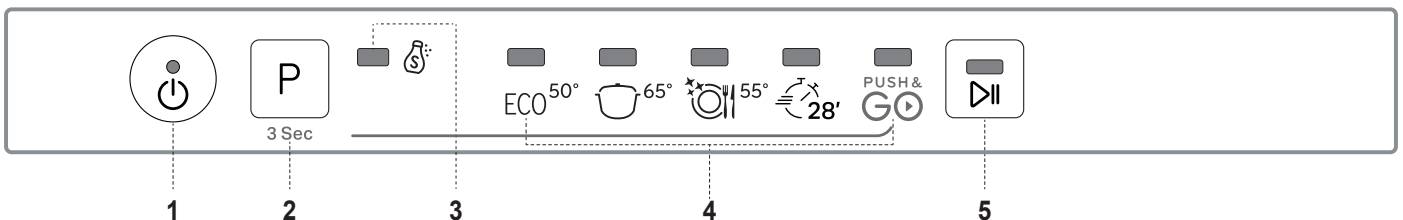
DESCRIZIONE PRODOTTO

APPARECCHIO



1. Cestello superiore
2. Sponde ribaltabili
3. Regolatore altezza cestello superiore
4. Braccio aspersore superiore
5. Cestello inferiore
6. Cestello portaposate
7. Braccio aspersore inferiore
8. Gruppo filtro
9. Distributore del sale
10. Distributori per detersivo e brillantante
11. Targhetta matricola
12. Pannello comandi

PANNELLO COMANDI



1. Tasto Accensione-Spegnimento/Ripristino e relativa spia
2. Tasto di selezione programmi / Push&GO
3. Indicatore di riempimento del sale
4. Spie indicatore di programma
5. Tasto Avvio/Pausa e relativa spia

PRIMO UTILIZZO

SALE, BRILLANTANTE E DETERSIVO


SUGGERIMENTO PER IL PRIMO UTILIZZO

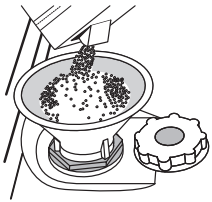
Dopo aver completato l'installazione, togliere i fermi dai cestelli e gli elementi elastici di ritegno dal cestello superiore.

RIFORMIMENTO DEL SERBATOIO DEL SALE

L'uso di sale previene la formazione di CALCARE sulla superficie dei piatti e sui componenti della macchina.

- È indispensabile che **IL SERBATOIO DEL SALE SIA SEMPRE RIFORMITO.**
- È essenziale quindi che il livello di durezza dell'acqua sia stato impostato.

Il serbatoio del sale è situato nella parte inferiore della lavastoviglie (*vedere DESCRIZIONE PRODOTTO*) e deve obbligatoriamente essere rifornito ogni volta che la spia dell' **INDICATORE DI RIEMPIMENTO SALE**  posta sul pannello comandi è illuminata.



1. Togliere il cestello inferiore e svitare il tappo del serbatoio (ruotare in senso antiorario).
2. **Solo la prima volta: riempire d'acqua il serbatoio del sale.**
3. Sistemare opportunamente l'imbuto (*vedere figura*) e rifornire il serbatoio del sale fino all'orlo (circa 1 kg); Non è inconsueto che l'acqua trabocchi leggermente.
4. Togliere l'imbuto ed eliminare qualsiasi residuo di sale dall'areacircostante l'apertura.

Accertarsi che il tappo sia adeguatamente serrato per evitare l'ingresso di detersivo all'interno della vaschetta durante il programma di lavaggio (ciò potrebbe causare il danneggiamento del dispositivo addolcente senza possibilità di riparazione).

Ogni volta che è necessario aggiungere sale, è obbligatorio eseguire la procedura prima dell'inizio del ciclo di lavaggio per evitare rischi di corrosione.

IMPOSTAZIONE DELLA DUREZZA DELL'ACQUA

Per consentire che il dispositivo addolcente dell'acqua agisca al meglio, è essenziale che l'impostazione del livello di durezza dell'acqua tenga conto della sua durezza effettiva nell'utenza domestica. È possibile ottenere il valore di durezza dell'acqua nell'utenza domestica rivolgendosi al proprio fornitore. Il valore predefinito per la durezza dell'acqua viene impostato in fabbrica.

- Azionare l'apparecchio agendo sul tasto **ACCENSIONE/SPEGNIMENTO.**
- Disattivare l'apparecchio agendo sullo stesso tasto **ACCENSIONE/SPEGNIMENTO.**
- Tenere premuto il tasto **P** per 5 secondi, fino a udire il segnale corrispondente.
- Azionare l'apparecchio agendo sul tasto **ACCENSIONE/SPEGNIMENTO.**
- La spia che indica il programma correntemente impostato lampeggia.
- Premere il tasto **P** per selezionare il livello di durezza dell'acqua richiesto (*vedere TABELLA DEI LIVELLI DI DUREZZA DELL'ACQUA*).

Tabella di durezza dell'acqua				
Livello		°dH	°fH	°Clark
		Gradi tedeschi	Gradi francesi	Gradi inglesi
1	Dolce	0 - 6	0 - 10	0 - 7
2	Moderatamente dolce	7 - 11	11 - 20	8 - 14
3	Medio	12 - 16	21 - 29	15 - 20
4	Dura	17 - 34	30 - 60	21 - 42
5	Molto dura	35 - 50	61 - 90	43 - 62

- Disattivare l'apparecchio agendo sullo stesso tasto **ACCENSIONE/SPEGNIMENTO.**

La procedura di impostazione è stata completata!

Non appena completata tale procedura, avviare uno dei programmi senza carico.

Utilizzare soltanto sale di tipo specifico per lavastoviglie.

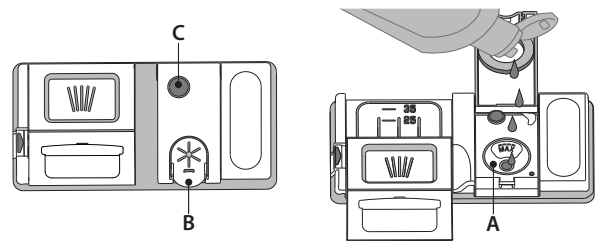
Dopo aver versato il sale all'interno della macchina, la spia riempimento SALE si spegne.

La mancanza di sale nel serbatoio potrebbe danneggiare l'addolcitore d'acqua e la resistenza per effetto dell'accumulo di calcare.

L'uso del sale è consigliato con qualsiasi tipo di detersivo per lavastoviglie.

RIEMPIMENTO DEL DISTRIBUTORE BRILLANTANTE

L'utilizzo di brillantante facilita il processo di ASCIUGATURA delle stoviglie. La vaschetta del brillantante **A** dovrebbe essere riempita quando l'indicatore ottico scuro posto sullo sportellino **C** diventa trasparente.



1. Aprire il distributore **B** esercitando opportuna pressione e quindi sollevando la linguetta posta sul coperchio.
2. Versare delicatamente il brillantante fino al segno che indica il livello di riferimento massimo (110 ml), ma evitandone la fuoriuscita. Nel caso in cui ciò si verifichi, asciugare immediatamente il liquido fuoriuscito mediante un panno asciutto.
3. Abbassare il coperchio fino ad avvertire lo scatto che ne segnala la chiusura. **Non versare MAI il brillantante direttamente all'interno della vaschetta.**

REGOLAZIONE DEL DOSAGGIO DI BRILLANTANTE

Se non si è completamente soddisfatti del processo di asciugatura, è possibile regolare la quantità di brillantante da utilizzare.

- Azionare la lavastoviglie agendo sul tasto **ACCENSIONE/SPEGNIMENTO.**
 - Disattivare la lavastoviglie utilizzando lo stesso tasto **ACCENSIONE/SPEGNIMENTO.**
 - Premere tre volte il tasto **P**: si avverte il segnale corrispondente.
 - Azionare la lavastoviglie mediante il tasto **ACCENSIONE/SPEGNIMENTO.**
 - La spia che indica il programma correntemente impostato lampeggia.
 - Premere sul tasto **P** per impostare il livello di brillantante corrispondente alla quantità richiesta.
 - Disattivare utilizzando il tasto **ACCENSIONE/SPEGNIMENTO**
- La procedura di impostazione è stata completata!

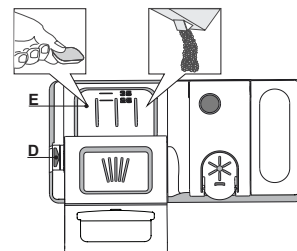
Nel caso in cui il livello di brillantante sia impostato su 1 (programma ECO), il brillantante non viene erogato.

A seconda del modello di lavastoviglie è possibile impostare al massimo 5 livelli di dosaggio. Le impostazioni di fabbrica dipendono dal modello; seguire le istruzioni precedenti in base alle caratteristiche del proprio apparecchio.

- In presenza di strisce con sfumature blu sulla superficie dei piatti, impostare un livello di dosaggio basso (2-3).
- In presenza di gocce d'acqua o di calcare sulla superficie dei piatti impostare invece dosaggi alti (4-5).

RIEMPIMENTO DEL DISTRIBUTORE DETERSIVO

Per aprire il distributore detersivo utilizzare il dispositivo di apertura D. Versare il detersivo esclusivamente nel distributore E asciutto. Mettere la dose di detersivo per il prelavaggio direttamente all'interno del distributore.







1. Per il dosaggio corretto del detersivo fare riferimento ai dati sopra riportati. La vaschetta **E** contiene indicatori di livello per facilitare il dosaggio del detersivo.
2. Eliminare eventuali residui di detersivo dai bordi del distributore e chiudere il coperchio fino ad avvertire lo scatto caratteristico.
3. Chiudere il coperchio del distributore sollevandolo fino a portare il dispositivo di chiusura in sede.

Il distributore del detersivo si apre automaticamente quando previsto dal programma in uso.

L'uso di un detersivo non specifico per lavastoviglie potrebbe causare malfunzionamenti o danni all'apparecchio.

TABELLA DEI PROGRAMMI

Programma	Fase di asciugatura	Durata programma di lavaggio (h:min) ^{*)}	Consumo d'acqua (litri/ciclo)	Consumo energetico (kWh/ciclo)
1. Eco ECO 50°	✓	3:35	9,5	0,95
2. Intensivo  65°	✓	2:40	18,0	1,60
3. Misti  55°	✓	2:15	16,0	1,40
4. Fast&Clean 28'  50°	-	0:28	9,0	0,50
5. Push&GO  50°	✓	1:30	11,5	1,30

La misurazione dei dati per la creazione del programma ECO avviene in condizioni di laboratorio secondo quanto prescritto dalle norme europee EN 60436:2020. Nota per i laboratori di Prove: per informazioni sulle condizioni della prova comparativa EN. farne richiesta all'indirizzo: dw_test_support@whirlpool.com. Questi programmi non richiedono un pre-trattamento delle stoviglie.

*) Ad eccezione del programma Eco, i valori riportati per gli altri programmi sono puramente indicativi.

La durata effettiva può dipendere da molti fattori, quali la temperatura e la pressione dell'acqua di alimentazione, la temperatura ambiente, la dose di detersivo utilizzata, la quantità e il tipo di carico e il suo bilanciamento, la selezione di determinate opzioni e la taratura dei sensori. La taratura dei sensori può prolungare la durata dei programmi anche di 20 minuti.

DESCRIZIONE DEI PROGRAMMI

Istruzioni per selezionare il ciclo di lavaggio.

1 ECO

Il programma Eco è indicato per le stoviglie mediamente sporche; è il programma più efficiente in termini di consumo combinato di acqua ed energia per questo tipo di stoviglie e viene usato per valutare la conformità dell'apparecchio alla legislazione UE in materia di progettazione ecocompatibile.

2 INTENSIVO

Stoviglie e pentole molto sporche (non usare per pezzi delicati).

3 MISTI

Carichi misti. Per piatti con sporco normale e residui secchi di cibo.

4 FAST&CLEAN 28'

Programma indicato per un mezzo carico di stoviglie poco sporche e prive di residui secchi. Non è prevista una fase di asciugatura.

5 PUSH&GO

Ciclo di lavaggio e asciugatura quotidiano che permette di ottenere ottimi risultati in breve tempo senza bisogno di pre-trattare le stoviglie.

Note:

SII ciclo *Fast&Clean 28'* è indicato per stoviglie poco sporche.

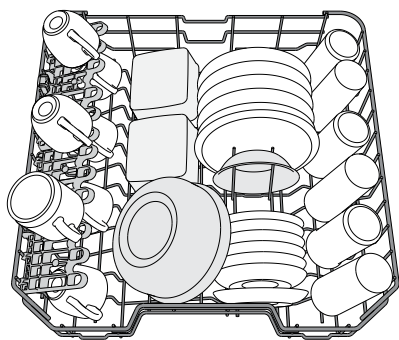
PUSH&GO

Push&GO (P) tasto è facilmente distinguibile e permette di accedere direttamente al programma Push&GO un ciclo di lavaggio e asciugatura che assicura ottimi risultati in breve tempo. Non occorre scegliere il programma in base al carico: il ciclo Push&GO lo seleziona infatti automaticamente.

Per selezionare il programma Push&GO, accendere l'apparecchio, premere solo il tasto **P** per 3 secondi (l'indicatore corrispondente si accende) e chiudere lo sportello entro 4 secondi.

CARICAMENTO DEI CESTELLI

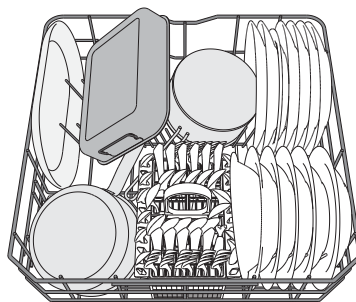
CESTELLO SUPERIORE



(esempio di carico del cestello superiore)

Riporvi i piatti poco resistenti e le stoviglie delicate: vetri, tazze, piattini, insalatiere dai bordi bassi.

CESTELLO INFERIORE



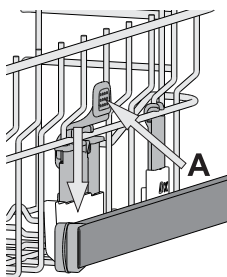
(esempio di carico nel cestello inferiore)

Per pentole, coperchi, piatti, insalatiere, stoviglie, ecc. In teoria conviene disporre piatti e coperchi di grandi dimensioni ai lati, per evitare interferenze con l'elemento aspersore.

REGOLAZIONE IN ALTEZZA DEL CESTELLO SUPERIORE

È possibile regolare del cestello superiore nel senso dell'altezza: la posizione rialzata consente di sfruttare al massimo il cestello inferiore per riporvi le stoviglie di dimensioni ingombranti, mentre la posizione ribassata consente di utilizzare le sponde ribaltabili creando lo spazio che esse richiedono e di evitare urti con gli oggetti caricati nel cestello inferiore.

Il cestello superiore è munito di **regolatore in altezza** (vedere figura) che non richiede pressione sulle leve; sollevarlo tenendolo per i lati, non appena si trovi in posizione rialzata. Per ripristinare la posizione ribassata, agire sulle leve **A** poste ai lati del cestello e abbassare il cestello.

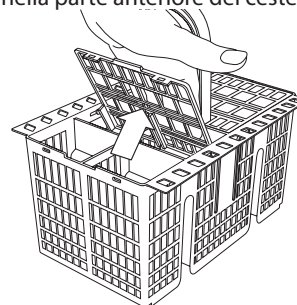


Si raccomanda vivamente di non procedere alla regolazione in altezza di cestelli già caricati.

Non rialzare o ribassare MAI il cestello agendo su un lato soltanto.

CESTELLO PORTAPOSATE

Le griglie tuttavia consentono anche di ottimizzare la disposizione delle posate al suo interno. Il cestello portaposate deve essere sistemato soltanto nella parte anteriore del cestello inferiore.



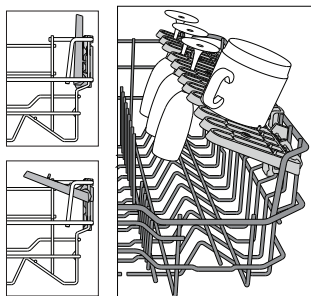
I coltelli e le altre posate con bordi taglienti devono essere riposte nel cestello portaposate con le punte rivolte verso il basso e orizzontalmente nelle sponde ribaltabili del cestello superiore.

SPONDE RIBALTABILI CON POSIZIONE REGOLABILE

Le sponde ribaltabili laterali possono essere estese o ripiegate per ottimizzare la disposizione delle stoviglie nel cestello. Si possono disporre i bicchieri da vino nelle sponde ribaltabili in modo assolutamente sicuro, inserendone lo stelo negli appositi spazi.

In base al modello:

- per estendere le sponde occorre farle scorrere verso l'alto e ruotarle oppure sganciarle dai fermi e abbassarle.
- per ripiegare le sponde occorre ruotarle e farle scorrere verso il basso oppure sollevarle e agganciarle ai fermi.



USO QUOTIDIANO

- 1. VERIFICA DEL COLLEGAMENTO ALLA RETE IDRICA**
Verificare che la lavastoviglie sia collegata alla rete idrica e che il rubinetto dell'acqua sia aperto.
- 2. AZIONAMENTO DELLA LAVASTOVIGLIE**
Aprire la porta e premere il tasto **ACCENSIONE/SPEGNIMENTO**.
- 3. CARICAMENTO DEI CESTELLI**
(vedere **CARICAMENTO DEI CESTELLI**).
- 4. RIEMPIMENTO DEL DISTRIBUTORE DETERSIVO**
- 5. SELEZIONARE IL PROGRAMMA E ADATTARE IL CICLO SECONDO NECESSITÀ**
Selezionare il programma più adatto in base al tipo di stoviglie e alla quantità di sporco in essi presente (vedere la **DESCRIZIONE DEI PROGRAMMI**) premendo sul tasto **P**.
Selezionare le opzioni richieste (vedere **OPZIONI E FUNZIONI**).
- 6. AVVIO**
Avviare il ciclo di lavaggio premendo il tasto **AVVIO/Pausa** (il LED si accenderà) e chiudere la porta entro 4 secondi. All'avvio del programma viene emesso un segnale acustico. Se la porta non viene chiusa entro 4 sec. viene emesso il suono di allarme. In questo caso, aprire la porta, premere il tasto **AVVIO/Pausa** e richiudere la porta entro 4 sec.
- 7. FINE DEL CICLO DI LAVAGGIO**
La conclusione del ciclo di lavaggio è indicata dalla relativa segnalazione acustica, mentre mediante il lampeggio dell'indicatore corrispondente al programma selezionato. Aprire la porta e spegnere l'apparecchio premendo il tasto **ACCENSIONE/SPEGNIMENTO**. Per evitare bruciature, prima di togliere le stoviglie attendere pochi minuti. Scaricare i cestelli, iniziando da quello inferiore.

La macchina si disattiva automaticamente nel corso di determinati periodi di inattività prolungata, al fine di ridurre al minimo il consumo di elettricità. Se le stoviglie sono soltanto leggermente sporche oppure sono state risciacquate prima di essere poste nella lavastoviglie, ridurre in proporzione la dose di detersivo da utilizzare.

MODIFICA DI UN PROGRAMMA IN CORSO

Nel caso in cui sia stato selezionato il programma sbagliato, è possibile cambiarlo a condizione che sia appena iniziato: aprire lo sportello e premere a lungo il tasto **ACCENSIONE/SPEGNIMENTO**; l'apparecchio si spegnerà.

Azionare nuovamente la macchina agendo sul tasto **ACCENSIONE/SPEGNIMENTO** e selezionare il nuovo ciclo di lavaggio con qualsiasi opzione richiesta; Avviare il ciclo di lavaggio premendo il tasto **AVVIO/Pausa** (il LED si accende) e chiudere la porta entro 4 secondi.

AGGIUNTA DI ALTRE STOVIGLIE

Senza spegnere l'apparecchio, aprire la porta (il LED **AVVIO/Pausa** inizia a lampeggiare) (**fare attenzione al vapore MOLTO CALDO!**) e introdurre le stoviglie. Premere il tasto **AVVIO/Pausa** e chiudere lo sportello entro 4 secondi; il ciclo riprenderà dal punto in cui era stato interrotto.

INTERRUZIONI ACCIDENTALI

In caso di apertura della porta o di interruzione dell'alimentazione elettrica durante un ciclo di lavaggio, il ciclo si interrompe. Premere il tasto **AVVIO/Pausa** e chiudere lo sportello entro 4 secondi; il ciclo riprenderà dal punto in cui era stato interrotto.

AVVISI E CONSIGLI

CONSIGLI

Prima di caricare i cestelli, eliminare tutti i residui di cibo dalle stoviglie e vuotare i bicchieri. **Non occorre il risciacquo sotto acqua corrente prima del caricamento.**

Sistemare le stoviglie in modo che rimangano in sede e non si possano ribaltare; e sistemare le vaschette con le aperture rivolte verso il basso e le parti concave/complesse disposte obliquamente, per consentire all'acqua di lavaggio di raggiungere ogni superficie e scorrervi liberamente.

Avvertenza: coperchi, maniglie, vassoi e padelle non devono ostacolare la rotazione degli aspersori.

Riporre tutti gli oggetti di piccole dimensioni nel cestello portaposate. Quando molto sporche, riporre piatti e pentole nel cestello inferiore poiché nel relativo settore gli aspersori svolgono un'azione più intensa e consentono migliori prestazioni nel lavaggio.

Una volta completata la procedura di carico, accertarsi che gli aspersori possano ruotare liberamente.

STOVIGLIE DI TIPO NON ADATTO

- Stoviglie e posate in legno.
 - Bicchieri decorati, pezzi di artigianato e piatti antichi. le decorazioni non sono sufficientemente resistenti.
 - Componenti in materiali sintetici che non resistono alle temperature elevate.
 - Stoviglie in rame e stagno.
 - Stoviglie sporche di cenere, cera, grasso lubrificante o inchiostro.
- Durante la fase di lavaggio i colori delle decorazioni di bicchieri e pezzi in alluminio/argento possono sbiadire. Alcuni tipi di bicchieri (es. i bicchieri in cristallo) possono divenire opachi anche soltanto dopo un certo numero di lavaggi.

CONSIGLI PER IL RISPARMIO ENERGETICO

- Se la lavastoviglie viene usata secondo le istruzioni del produttore, **il lavaggio delle stoviglie a macchina comporta normalmente un MINORE CONSUMO DI ENERGIA e acqua rispetto al lavaggio a mano.**
- Per ottimizzare l'efficienza della lavastoviglie si raccomanda di **avviare il ciclo di lavaggio con l'apparecchio a pieno carico.** Caricando la lavastoviglie fino alla capacità indicata dal produttore si contribuirà a ridurre i consumi d'acqua e di energia. Per informazioni sul caricamento corretto delle stoviglie, leggere la sezione **CARICAMENTO DEI CESTELLI**. In caso di carico parziale, si raccomanda di usare le apposite opzioni di lavaggio, se disponibili (Mezzo carico/ Zone Wash/ Multizona), caricando solo i cestelli selezionati. Un caricamento non corretto o eccessivo della lavastoviglie può aumentare il consumo di risorse (acqua, energia e tempo, oltre a una maggiore rumorosità) e ridurre le prestazioni di lavaggio e asciugatura.
- Il pre-risciacquo delle stoviglie comporta un maggiore consumo di acqua ed energia e non è consigliato.

DANNEGGIAMENTO DI BICCHIERI E STOVIGLIE

- Utilizzare soltanto bicchieri e porcellane garantite dal produttore per il lavaggio in lavastoviglie.
- Utilizzare un detersivo delicato e adatto al tipo di stoviglie in questione
- Togliere i bicchieri e gli altri elementi dalla lavastoviglie non appena sia terminato il ciclo di lavaggio.

IGIENIZZANTE

Per evitare la formazione di cattivi odori e sedimenti vari all'interno della lavastoviglie avviare un programma che preveda temperature elevate almeno una volta al mese. Per eseguire la pulizia dell'apparecchio utilizzare un cucchiaino di detersivo e avviare il ciclo in assenza di carico.

MANUTENZIONE E PULIZIA

PULIZIA DEL GRUPPO FILTRO

Pulire regolarmente il gruppo filtro in modo che nei relativi elementi non si formino ostruzioni e che l'acqua vi scorra regolarmente.

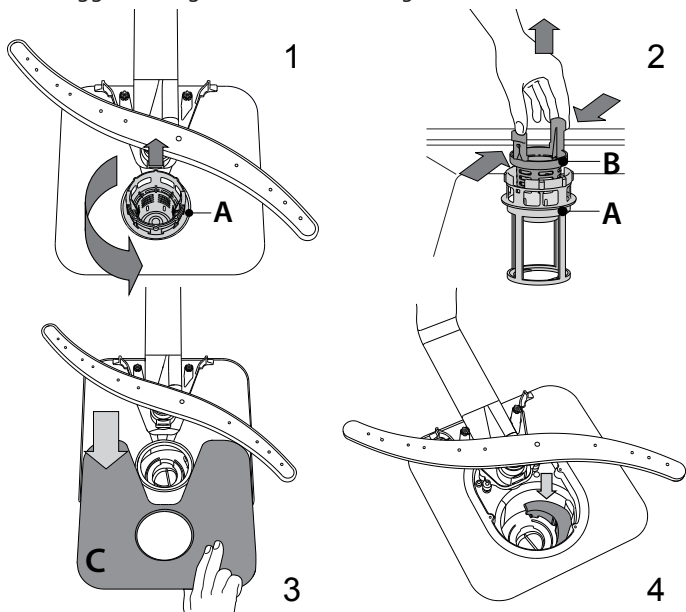
L'uso della lavastoviglie con i filtri ostruiti, o con oggetti estranei nel sistema filtrante o nei bracci irroratori, può causare malfunzionamenti e determinare una perdita di prestazioni, un aumento della rumorosità o un maggiore consumo di risorse.

Il gruppo filtro è composto da tre elementi filtranti che eliminano la presenza di residui di cibo dall'acqua di lavaggio, rimettendola in circolo ai fini del programma: per ottenere le migliori prestazioni durante il lavaggio è necessario che tali elementi siano sempre puliti.

Non utilizzare mai la lavastoviglie priva dei filtri o con i filtri allentati.

Almeno una volta al mese o ogni 30 cicli di lavaggio, verificare lo stato del gruppo filtro e se necessario pulirlo completamente sotto getto di acqua corrente, servendosi di spazzola metallica e seguendo le istruzioni sotto riportate:

1. Ruotare il filtro cilindrico **A** in senso antiorario, quindi estrarlo (Fig. 1).
2. Smontare il filtro a tazza **B** esercitando una leggera pressione sulle sponde laterali (Fig. 2).
3. Far scorrere il filtro a piastra in acciaio inossidabile **C**, fino ad estrarlo (Fig. 3).
4. Se si trovano oggetti estranei (frammenti di vetro, porcellana, ossa, semi di frutta, ecc.), rimuoverli con attenzione.
5. Esaminare il sifone ed eliminare la presenza di qualsiasi residuo di cibo. **NON TOGLIERE MAI** l'elemento di protezione della pompa di lavaggio (dettaglio di colore nero) (Fig. 4).



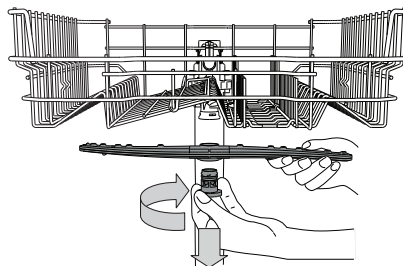
Dopo aver pulito i filtri, rimontare il gruppo e fissarlo correttamente in sede ciò è fondamentale per garantire l'efficienza della lavastoviglie.

PULIZIA DEL TUBO DI CARICO ACQUA

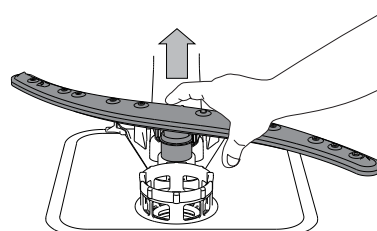
Se i tubi dell'acqua sono nuovi o sono rimasti inutilizzati per un periodo prolungato, prima di eseguire i raccordi necessari far scorrere l'acqua per controllare che sia pulita e priva di impurità. In assenza di tale precauzione, il tubo di carico acqua può risultare ostruito con conseguente danneggiamento della lavastoviglie.

PULIZIA DEI BRACCI ASPERSORI

I residui di cibo possono occasionalmente formare incrostazioni sui bracci aspersori e bloccare i fori utilizzati per l'irrorazione dell'acqua. Si raccomanda pertanto di ispezionare di volta in volta i bracci e di pulirli mediante piccola spazzola metallica.



Per smontare il braccio aspersore superiore, ruotare l'anello di bloccaggio in plastica in senso orario. Il rimontaggio del braccio aspersore deve avvenire in modo che il lato con il maggior numero di fori sia rivolto verso l'alto.



È possibile smontare l'elemento aspersore del cestello inferiore sollevandolo verso l'alto.

SISTEMA DI ADDOLCIMENTO DELL'ACQUA

L'addolcitore riduce automaticamente la durezza dell'acqua, impedendo la formazione di calcare sulla serpentina e contribuendo a migliorare l'efficienza di lavaggio.

Questo sistema si rigenera con il sale, che deve essere perciò rabboccato quando il serbatoio del sale è vuoto.


La frequenza di rigenerazione dipende dal livello di durezza impostato - con la durezza dell'acqua impostata al livello **3**, la rigenerazione avviene ogni **6** cicli Eco.

Il processo di rigenerazione inizia durante il risciacquo finale e termina nella fase di asciugatura, prima del termine del ciclo.

- Ogni rigenerazione comporta: un consumo di ~3,5 litri d'acqua;
- Un prolungamento di 5 minuti della normale durata del ciclo;
- Un consumo di energia minore di 0,005 kWh.

RISOLUZIONE DEI PROBLEMI

Se la lavastoviglie non funziona correttamente, provare a risolvere il problema consultando l'elenco sotto riportato. Per errori o problemi di altro tipo, contattare un Servizio Assistenza Tecnica autorizzato; i dati di contatto sono riportati nel libretto di garanzia. I ricambi saranno disponibili per un periodo fino a 7 o fino a 10 anni, secondo i requisiti specifici del regolamento.

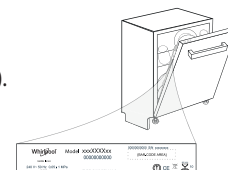
PROBLEMI	POSSIBILI CAUSE	SOLUZIONE
 L'indicatore del sale è acceso	Il serbatoio del sale è vuoto. (È possibile che, dopo aver riempito il serbatoio, la spia del sale resti accesa per diversi cicli di lavaggio).	Riempire il serbatoio con sale (per ulteriori informazioni, vedere pagina 2). Regolare la durezza dell'acqua - vedere la tabella a pagina 2.
La lavastoviglie non si avvia o i comandi non rispondono.	L'apparecchio non è stato collegato correttamente all'alimentazione elettrica.	Inserire la spina nella presa di corrente.
	Mancanza di corrente.	Per ragioni di sicurezza, la lavastoviglie non si riavvia automaticamente al ripristino della corrente elettrica. Aprire la porta, premere il tasto AVVIO/Pausa e richiudere la porta entro 4 secondi.
	Mancata chiusura della porta lavastoviglie.	Spingere con decisione la porta fino ad avvertire il caratteristico "clic".
	Il ciclo è stato interrotto con l'apertura dello sportello per più di 4 secondi.	Premere AVVIO/Pausa e chiudere lo sportello entro 4 secondi
Lo scarico della lavastoviglie non avviene.	Mancato funzionamento dei vari comandi.	Spegner l'apparecchio premendo il tasto ACCENSIONE/SPEGNIMENTO, riaccenderlo dopo circa un minuto e riavviare il programma. Se il problema persiste, staccare l'apparecchio dalla rete elettrica per 1 minuto, quindi ricollegarlo.
	Ciclo di lavaggio non ancora concluso.	Attendere la conclusione del ciclo di lavaggio.
	Tubo di scarico piegato.	Verificare che il tubo di scarico non sia piegato (vedere le ISTRUZIONI DI INSTALLAZIONE).
	Tubo di scarico del lavandino ostruito.	Pulire il tubo di scarico del lavandino.
La rumorosità della lavastoviglie è eccessiva.	Ostruzione filtro a causa di residui di cibo	Pulire il filtro (vedere PULIZIA DEL GRUPPO FILTRO).
	Urto dei piatti tra loro durante il lavaggio.	Sistemare le stoviglie nel modo corretto (vedere CARICAMENTO DEI CESTELLI).
I piatti non risultano puliti.	Produzione eccessiva di schiuma.	Il dosaggio del detersivo non è stato stabilito in modo corretto oppure il detersivo non è del tipo adatto alle lavastoviglie (vedere RIEMPIMENTO DELLA VASCHETTA DEL DETERSIVO). Per riavviare il ciclo in corso, spegnere e riaccendere la lavastoviglie, scegliere un nuovo programma, premere AVVIO/Pausa e chiudere lo sportello entro 4 secondi. Non aggiungere altro detersivo
	Errata disposizione delle stoviglie.	Sistemare le stoviglie nel modo corretto (vedere CARICAMENTO DEI CESTELLI).
	Impedimento nella rotazione dei bracci aspersori a causa dell'interferenza dei piatti.	Sistemare le stoviglie nel modo corretto (vedere CARICAMENTO DEI CESTELLI).
	Il ciclo di lavaggio è eccessivamente delicato.	Selezionare il programma adatto (vedere la TABELLA DEI PROGRAMMI).
	Produzione eccessiva di schiuma.	Il dosaggio del detersivo non è stato stabilito in modo corretto oppure il detersivo non è del tipo adatto alle lavastoviglie (vedere RIEMPIMENTO DEL DISTRIBUTORE DETERSIVO).
	Tappo sul vano brillantante non correttamente chiuso.	Accertarsi che il tappo sul distributore brillantante sia chiuso.
	Filtro sporco oppure ostruito.	Pulire il gruppo filtro (vedere CURA E MANUTENZIONE).
La lavastoviglie non esegue il carico dell'acqua. Tutti i LED lo sono lampeggianti rapidamente	Mancanza di sale.	Riempire il serbatoio del sale (vedere RIEMPIMENTO DEL SERBATOIO SALE).
	Assenza di alimentazione idrica o rubinetto chiuso.	Accertarsi che il tubo di alimentazione idrica contenga l'acqua necessaria o che il rubinetto sia aperto.
	Il tubo di carico è piegato	Accertarsi che il tubo di carico non sia piegato (vedere INSTALLAZIONE) riprogrammare la lavastoviglie e riavviarla.
La lavastoviglie termina il ciclo di lavaggio troppo presto.	L'elemento filtrante nel tubo di carico è ostruito; è necessario pulirlo.	Dopo aver eseguito le operazioni di ispezione e pulizia, spegnere e accendere la lavastoviglie e avviare un programma nuovo.
	Il tubo di scarico è posizionato troppo in basso o crea un effetto sifone nell'impianto di scarico domestico.	Controllare che l'estremità del tubo di scarico si trovi all'altezza corretta (vedere INSTALLAZIONE). Verificare eventuali effetti sifone nell'impianto di scarico domestico; se necessario, installare una valvola di ingresso aria.
	Aria nel tubo di mandata dell'acqua.	Controllare che non vi siano perdite nell'impianto idraulico o altri problemi che causino l'ingresso di aria.

Documentazione normativa, documentazione standard, ordinazione di pezzi di ricambio e altre informazioni sul prodotto possono essere reperite:



- Visitando il nostro sito web docs.indesit.eu e parts-selfservice.whirlpool.com
- Usare il codice QR
- In alternativa, contattare il Servizio Assistenza Tecnica (i numeri di telefono sono riportati nel libretto di garanzia). Prima di contattare il Servizio Assistenza Tecnica, prepararsi a fornire i codici riportati sulla targhetta matricola del prodotto.

I dati del modello possono essere richiamati usando il codice QR riportato sull'etichetta energetica. L'etichetta riporta anche il codice identificativo del modello, che può essere utilizzato per consultare il portale di registrazione su <https://eprel.ec.europa.eu>.



400011652613B

01/2023 ks - Xerox Fabriano



SNELLE REFERENTIEGIDS

HANDLEIDING



DANK U WEL VOOR UW AANKOOP VAN EEN INDESIT PRODUCT.

Voor verdere assistentie kunt u het apparaat registreren op:
www.indesit.com/register

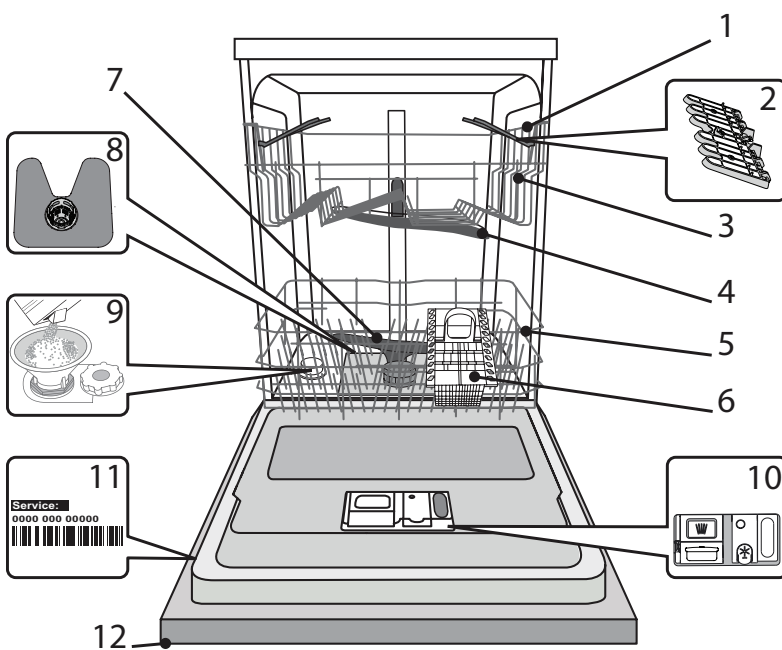


U kunt de Veiligheidsaanwijzingen en de Gebruikershandleiding, downloaden van onze website docs.indesit.eu, volg de Aanwijzingen achteraan deze handleiding.

Voordat u het apparaat gebruikt leest u de Veiligheidsvoorschriften zorgvuldig door.

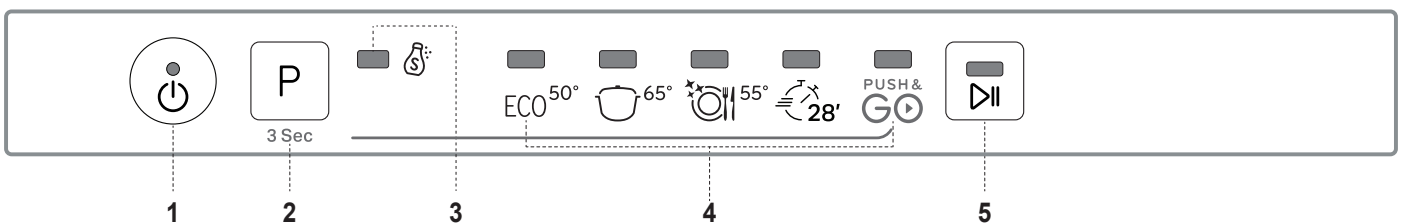
PRODUCTBESCHRIJVING

APPARAAT



1. Bovenste rek
2. Opvouwbare kleppen
3. Afsteller hoogte bovenste rek
4. Bovenste sproeierarm
5. Onderste rek
6. Bestekkorf
7. Onderste sproeierarm
8. Filtersysteem
9. Zoutreservoir
10. Doseerbakjes vaatwasmiddel en glansspoelmiddel
11. Typeplaatje
12. Bedieningspaneel

BEDIENINGSPANEEL



1. Aan-Uit/Reset-toets met controlelampje
2. Programmamekuzetoets / Push&GO
3. Controlelampje zout bijvullen
4. Programma controlelampjes
5. START/Pauze-toets met controlelampje

EERSTE GEBRUIK

ZOUT, GLANSSPOELMIDDEL EN VAATWASMIDDEL

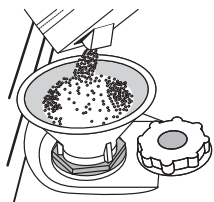
ADVIES MET BETREKKING TOT HET EERSTE GEBRUIK

Verwijder na het installeren de stoppen uit de rekken en de elastische borgelementen uit het bovenste rek.

HET ZOUTRESERVOIR BIJVULLEN

MHet gebruik van zout voorkomt de vorming van KALKAANSLAG op het vaatwerk en op de functionele onderdelen van de machine.

- Het is noodzakelijk dat **HET ZOUTRESERVOIR NOOIT LEEG IS**.
 - Het is belangrijk dat de hardheid van het water wordt ingesteld.
- Het zoutreservoir bevindt zich in het onderste deel van de afwasmachine (zie *BESCHRIJVING PROGRAMMA*) en moet worden gevuld wanneer het **controlelampje ZOUT BIJVULLEN**  in het bedieningspaneel brandt.



1. Verwijder het onderste rek en draai de dop van het reservoir los (linksom).
2. **Alleen de eerste maal dat u dit doet: vul het zoutreservoir met water.**
3. Plaats de trechter (zie afbeelding) en vul het zoutreservoir tot aan de rand (ongeveer 1 kg); het is niet ongebruikelijk dat er een beetje water uit lekt.
4. Verwijder de trechter en veeg alle zoutresten weg van de opening.

Zorg ervoor dat de dop strak is aangedraaid, zodat geen vaatwasmiddel in de container kan komen tijdens het wasprogramma (dit kan de waterontharder onherstelbaar beschadigen).

Wanneer u zout moet toevoegen, is u verplicht om de procedure helemaal uit te voeren alvorens de wascyclus te starten om corrosie te voorkomen.

DE WATERHARDHEID INSTELLEN

Als u de waterontharder perfect wilt laten werken is het essentieel dat de instelling van de waterhardheid is gebaseerd op de werkelijke waterhardheid in uw huis. Deze informatie kan bij uw lokale waterleverancier worden opgevraagd.

De fabriek stelt de defaultwaarde voor de waterhardheid in.

- Het apparaat inschakelen door op de toets **AAN/UIT** te drukken.
- Het apparaat uitschakelen door op de toets **AAN/UIT** te drukken.
- De toets **P** 5 seconden ingedrukt houden totdat u een piep hoort.
- Het apparaat inschakelen door op de toets **AAN/UIT** te drukken.
- Het controlelampje van het programma van het huidige ingestelde niveau knippert.
- De toets **P** indrukken om het gewenste hardheidsniveau te selecteren (zie *TABEL WATERHARDHEID*).

Niveau		°dH Duitse graden	°fH Franse graden	°Clark Engelse graden
1	Zacht	0 - 6	0 - 10	0 - 7
2	Gemiddeld	7 - 11	11 - 20	8 - 14
3	Gemiddeld	12 - 16	21 - 29	15 - 20
4	Hard	17 - 34	30 - 60	21 - 42
5	Zeer hard	35 - 50	61 - 90	43 - 62

- Het apparaat uitschakelen door op de toets **AAN/UIT** te drukken.

Instellen is voltooid!

Zodra deze procedure voltooid is voert u een programma zonder lading uit.

Gebruik alleen zout dat speciaal voor afwasmachines is bestemd.

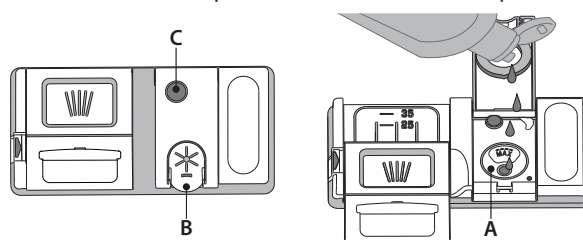
Wanneer het zout in de machine is gestrooid wordt het lampje **ZOUT BIJVULLEN** uitgeschakeld.

Als het zoutreservoir niet gevuld wordt, kunnen de waterverzachter en het verwarmingselement beschadigd raken als gevolg van de accumulatie van ketelsteen.

Het gebruik van zout wordt aanbevolen met elk type vaatwasmiddel.

HET GLANSSPOELMIDDELRESERVOIR BIJVULLEN

Glansspoelmiddel maakt het DROGEN van de vaat gemakkelijker. Het glansspoelmiddelreservoir **A** moet worden gevuld wanneer het de dark optical indicator on the dispenser door **C** becomes transparent.



1. Open het doseerbakje **B** door de tab op het deksel in te drukken en omhoog te trekken..
2. Het glansspoelmiddel zorgvuldig inbrengen tot aan de maximum (110 ml) insteekgleuf van de vulruimte - voorkom morsen. Wanneer dit gebeurt het gemorste glansspoelmiddel onmiddellijk met een droge doek reinigen.
3. Om het te sluiten het deksel naar beneden drukken totdat u een klik hoort.

Het glansspoelmiddel NOOIT rechtstreeks in de kuip gieten.

DE DOSERING GLANSSPOELMIDDEL AANPASSEN

Als u niet volledig tevreden bent over de droogresultaten kunt u de gebruikte hoeveelheid glansspoelmiddel aanpassen.

- De afwasmachine inschakelen met de toets **AAN/UIT**.
- Uitschakelen met de toets **AAN/UIT**.
- Driemaal op de toets **P** drukken - er klinkt een pieptoon.
- Inschakelen met de toets **AAN/UIT**.
- Het controlelampje van het programma van het huidige ingestelde niveau knippert.
- De toets **P** indrukken om het niveau van het te leveren glansspoelmiddel te selecteren.
- Uitschakelen met de toets **AAN/UIT**

Instellen is voltooid!

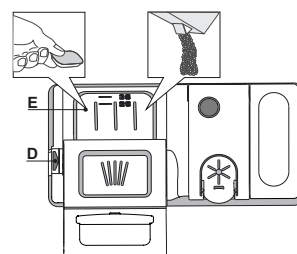
Als het niveau van het glansspoelmiddel is ingesteld op 1 (ECO) zal geen glansspoelmiddel worden afgegeven.

Er kan een maximum van 5 niveaus worden ingesteld, afhankelijk van het model afwasmachine. De fabrieksinstelling is specifiek voor het model. Volg de bovenstaande instructies om te controleren of dat ook voor uw machine geldt.

- Als u blauwe strepen op het vaatwerk ziet stel dan een laag getal in (2-3).
- Als er druppels water of kalkaanslag op het vaatwerk zijn stel dan een hoog getal in (4-5).

HET VAATWASMIDDELDOSEERBAKJE VULLEN

Gebruik de opening apparaat D om het vaatwasmiddeldoseerbakje te openen. Het vaatwasmiddel alleen in het droge doseerbakje E invoeren. Plaats de hoeveelheid vaatwasmiddel voor voorspoelen direct in de kuip.




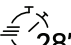



1. Raadpleeg bij het afmeten van het vaatwasmiddel de eerder vermelde informatie om de juiste hoeveelheid toe te voegen. In het doseerbakje **E** vindt u de aanwijzingen voor het doseren van het vaatwasmiddel.
2. Verwijder de resten vaatwasmiddel van de randen van het doseerbakje en sluit het deksel totdat het klikt.
3. Sluit het deksel van het vaatwasmiddeldoseerbakje door het omhoog te trekken tot het sluitingsmechanisme is vastgezet.

Het vaatwasmiddeldoseerbakje opent automatisch op het juiste moment, volgens het programma.

Het gebruik van vaatwasmiddelen die niet bedoeld zijn voor vaatwasmachines kan de slechte werking van het apparaat veroorzaken of het beschadigen.

PROGRAMMATABEL

Programma	Drogen fase	Duur van wasprogramma (h:min) ^{*)}	Waterverbruik (liter/ cyclus)	Energieverbruik (kWh/ cyclus)
1. Eco  50°	✓	3:35	9,5	0,95
2. Intensief  65°	✓	2:40	18,0	1,60
3. Gemengd  55°	✓	2:15	16,0	1,40
4. Fast&Clean 28'  50°	-	0:28	9,0	0,50
5. Push&GO  50°	✓	1:30	11,5	1,30

De gegevens van het ECO-programma worden gemeten onder laboratoriumomstandigheden, volgens de Europese norm EN 60436:2020.

Aanwijzing voor de Proeflaboratoria: Voor gedetailleerde informatie over de omstandigheden van de EN-vergelijkingsproef kunt u contact opnemen met: dw_test_support@whirlpool.com

Voorbehandeling van het vaatwerk vóór de programma's is niet nodig.

*) Waarden aangegeven voor andere programma's dan het Eco-programma zijn slechts indicatief. De werkelijke tijd is afhankelijk van vele factoren, zoals de temperatuur en de druk van het toevoerwater, de kamertemperatuur, hoeveelheid vaatwasmiddel, de hoeveelheid en soort lading, evenwicht van de lading, extra gekozen opties en de kalibratie van de sensor. De kalibratie van de sensor kan de duur van het programma met max. 20 min. verlengen.

BESCHRIJVING PROGRAMMA'S

Instructies over het selecteren van het wasprogramma.

1 ECO

Het Eco-programma is geschikt voor het reinigen van normaal vervuild vaatwerk, dat voor dit gebruik het meest efficiënte programma is wat betreft de combinatie van energie- en waterverbruik en in overeenstemming is met de Europese Ecodesign-wetgeving.

2 INTENSIEF

Aanbevolen programma voor sterk vervuild serviesgoed, met name geschikt voor pannen en koekenpannen (mag niet gebruikt worden voor kwetsbare stukken).

3 GEMENGD

Gemengde vervuiling. Voor normaal vervuilde vaat met opgedroogde etensresten.

4 FAST&CLEAN 28'

Programma dat kan worden gebruikt voor een halve lading licht vervuilde vaat zonder opgedroogde etensresten. Heeft geen droogfase.

5 PUSH&GO

Dagelijkse afwas- en droogcyclus die een voortreffelijke reinigende werking op korte tijd garandeert zonder de noodzaak om het servies vooraf te behandelen.

Opmerkingen:

Gelieve er rekening mee te houden dat de cyclus *Fast&Clean 28'* bedoeld is voor licht vervuilde vaat.

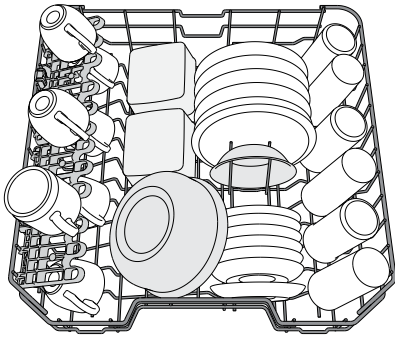
PUSH&GO

De knop Push&GO is een gemakkelijk te herkennen knop waarmee u rechtstreeks toegang krijgt tot het programma Push&GO, een afwas- en droogcyclus die een voortreffelijk reinigende werking op korte tijd garandeert. U hoeft zich geen zorgen te maken over de programmakeuze, want de Push&GO-cyclus doet dat voor u.

Voor de selectie van het Push&GO-programma schakelt u het apparaat in, druk 3 seconden op de **P**-toets (de betreffende indicator licht op) en sluit de deur binnen 4 seconden.

REKKEN VULLEN

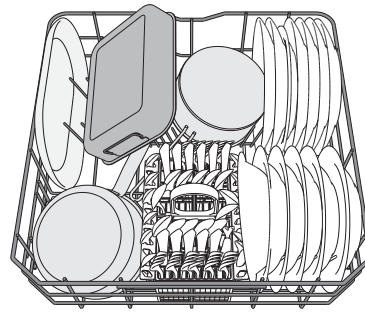
BOVENSTE REK



(laadvoorbeeld voor het bovenste rek)

Laden van kwetsbaar en licht vaatwerk: glazen, kopjes, schoteltjes, lage saladekommen.

ONDERSTE REK



(laadvoorbeeld voor het onderste rek)

Voor potten, deksels, platen, saladekommen, bestek enz. Grote platen en deksels moeten idealiter aan de zijkanten worden geplaatst, om aanraking met de sproeierarmen te voorkomen.

DE HOOGTE VAN HET BOVENSTE REK AFSTELLEN

De hoogte van het bovenste rek kan worden afgesteld: hoge stand voor groot serviesgoed in de onderste mand en lage stand om optimaal gebruik te maken van de opklapbare steunen, door het creëren van meer ruimte naar boven en botsen met de items die in het onderste rek zijn geladen te voorkomen.

Het bovenste rek is uitgerust met een

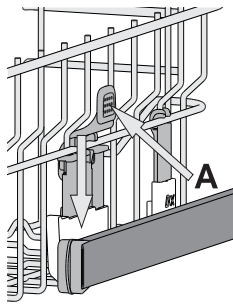
hoogteversteller bovenste rek

(zie afbeelding, zonder op de hefboomen te hoeven drukken, opheffen door gewoon de zijkanten van het rek vast te houden, zodra het rek stabiel in de bovenste positie staat.

Voor herstellen naar de lagere positie op de hefboomen **A** aan de zijkanten van het rek drukken en de mand naar beneden verplaatsen.

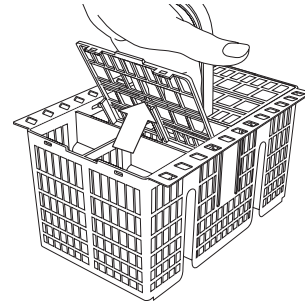
Het is raadzaam de hoogte van het rek niet aan te passen wanneer het is geladen.

NOOIT de mand slechts aan één kant verhogen of verlagen.



BESTEKMAND

De mand is uitgerust met rasters aan de bovenkant, om het bestek beter te kunnen rangschikken. De bestekmand mag alleen aan de voorkant van het onderste rek worden geplaatst.



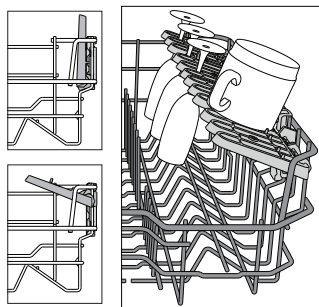
Messen en andere gebruiksvoorwerpen met scherpe randen moeten in de bestekmand worden gezet met de punten naar beneden gericht of horizontaal geplaatst in de opklapbare compartimenten op het bovenste rek.

OPVOUWBARE KLEPPEN MET VERSTELBARE STAND

De opvouwbare kleppen aan de zijkant kunnen worden opgevouwen of opengevouwen voor een optimale rangschikking van het serviesgoed in het rek.

Wijn glazen kunnen veilig in de opvouwbare kleppen worden geplaatst door de steel van elk glas in de overeenkomstige sleuven in te voeren. Afhankelijk van het model:

- om de kleppen open te vouwen moet u ze omhoog schuiven en roteren of ze losmaken van de klemmen en omlaag trekken.
- om de kleppen op te vouwen moet u ze roteren en omlaag schuiven of ze omhoog trekken en aan de klemmen vastmaken



DAGELIJKS GEBRUIK

1. WATERAANSLUITING CONTROLEREN

Controleer of de wasmachine is aangesloten op de waterleiding en of de waterkraan open is.

2. DE AFWASMACHINE INSCHAKELEN

Open de deur en druk op de toets **AAN/UIT**.

3. DE REKKEN VULLEN

(zie **REKKEN VULLEN**)

4. HET VAATWASMIDDELMIDDELDOSERBAKJE VULLEN

5. HET PROGRAMMA KIEZEN EN DE CYCLUS AANPASSEN

Selecteer het meest geschikte programma in overeenstemming met het soort serviesgoed en het niveau van vervuiling (zie **BESCHRIJVING PROGRAMMA**) door de **P**-toets in te drukken. Selecteer de gewenste opties (zie **OPTIES EN FUNCTIES**).

6. START

Start het de wascyclus door op de **START/Pauze**-toets (het ledlampje brandt) te drukken en de deur binnen 4 seconden te sluiten. U hoort een enkele piep wanneer het programma start. Als de deur niet binnen 4 seconden is gesloten, hoort u een geluid ter waarschuwing. Open in dat geval de deur, druk op de **START/Pauze**-toets en sluit de deur weer binnen 4 seconden.

7. EINDE VAN HET WASPROGRAMMA

Het einde van de wascyclus wordt aangegeven door pieptonen en door knipperen van het indicatielampje van het geselecteerde programma. De deur openen en het apparaat uitschakelen door op de toets **AAN/UIT** te drukken.

Een paar minuten wachten voordat het serviesgoed wordt verwijderd - om brandwonden te voorkomen. De rekken uitladen, te beginnen met het onderste rek.

De machine wordt tijdens bepaalde langere perioden van inactiviteit automatisch uitgeschakeld, om het elektriciteitsverbruik te minimaliseren. Als het serviesgoed slechts licht bevuild is of als het voordat het in de afwasmachine wordt geplaatst met water is afgespoeld kan de hoeveelheid vaatwasmiddel dienovereenkomstig worden verminderd.

WIJZIGEN VAN EEN LOPEND PROGRAMMA

Als u een verkeerd programma heeft gekozen, kunt u het programma wijzigen mits het net is begonnen: open de deur en houd de **AAN/UIT**-toets ingedrukt. De machine wordt uitgeschakeld. Schakel de machine weer in met de **AAN/UIT**-toets en selecteer het nieuwe wasprogramma en eventuele gewenste opties; start de wascyclus door de **START/Pauze**-toets in te drukken en de deur te sluiten binnen 4 seconden.

EXTRA SERVIESGOED TOEVOEGEN

Open de deur (**START/Pauze**-ledlampje begint te knipperen) zonder de machine uit te schakelen (pas op voor hete stoom!) en plaats het serviesgoed in de afwasmachine. Druk op de **START/Pauze**-toets en sluit de deur binnen 4 seconden. Het programma gaat verder vanaf het punt waarop het was onderbroken.

ONGEWENSTE ONDERBREKINGEN

Als de deur geopend wordt tijdens de wascyclus, of als er sprake is van een stroomonderbreking, stopt het programma. Om de cyclus te hernemen vanaf het punt waarop het was onderbroken, drukt u op de **START/Pauze**-toets-knop en sluit u de deur binnen 4 seconden.

ADVIEZEN EN TIPS

ADVIEZEN

Verwijder alvorens de manden te laden alle voedselresten uit het serviesgoed en leeg de glazen. **Het serviesgoed hoeft niet tevoren onder stromend water afgespoeld te worden.**

Het serviesgoed zo rangschikken dat het stevig op zijn plaats staat en niet omslaat; rangschik de containers met de openingen naar beneden gericht en de holle/bolle onderdelen schuin geplaatst, waardoor het water elk oppervlak kan bereiken en vrij kan stromen.

Waarschuwing: zorg ervoor dat deksels, grepen, platen en koekenpannen de sproeierarmen niet belemmeren bij het draaien.

Plaats geen kleine voorwerpen in de bestekmand.

Erg vervuild vaatwerk en pannen moeten in de onderste mand worden geplaatst, omdat in deze ruimte de watersproeiers sterker zijn en hogere wasprestaties hebben.

Zorg ervoor dat na het laden van het apparaat de sproeierarmen vrij kunnen draaien.

ONGESCHIKT SERVIESGOED

- Houten servies en bestek.
- Kwetsbare gedecoreerde glazen, artistiek handwerk en antiek serviesgoed. Hun decoraties zijn hier niet tegen bestand.
- Delen van synthetisch materiaal die niet bestand zijn tegen hoge temperaturen.
- Koperen en tinnen serviesgoed.
- Serviesgoed bevuild met as, was, smeervet of inkt.

De kleuren van glasdecoraties en aluminium/zilveren stukken kunnen wijzigen en vervagen tijdens het wasproces. Sommige soorten glas (bv. kristallen voorwerpen) kunnen na een aantal wascyclussen ook dof worden.

SCHADE AAN GLASWERK EN SERVIESGOED

- Gebruik alleen glas en porselein waarvan de fabrikant garandeert dat het veilig is voor de afwasmachine.
- Gebruik een zacht vaatwasmiddel dat geschikt is voor serviesgoed.
- Haal glazen en bestek uit de afwasmachine zodra het wasprogramma afgelopen is.

TIPS VOOR ENERGIEBESPARING

- Wanneer de huishoudelijke vaatwasmachine gebruikt wordt volgens de aanwijzingen van de fabrikant, **verbruikt het wassen van vaatwerk in een vaatwasmachine gewoonlijk MINDER ENERGIE en water dan met de hand afwassen.**
- Om de efficiëntie van de vaatwasmachine te maximaliseren wordt aanbevolen om **de wascyclus eerst te starten wanneer de vaatwasmachine helemaal gevuld is.** De huishoudelijke vaatwasmachine vullen tot de hoeveelheid aangegeven door de fabrikant draagt bij tot het besparen van energie en water. Informatie over het correct laden van vaatwerk vindt u in het hoofdstuk **DE REKKEN VULLEN**. Als de machine gedeeltelijk is gevuld, wordt aanbevolen om de speciaal daarvoor bedoelde wasopties, indien voorzien, te gebruiken (Halve lading/ Zone Wash/ Multizone) en enkel geselecteerde rekken te vullen. De vaatwasmachine onjuist of overmatig vullen kan het gebruik van de hulpbronnen verhogen (zoals water, energie en tijd, en ook het geluidsniveau) en de reinigings- en droogprestaties verlagen.
- Vaatwerk vooraf met de hand spoelen verhoogt het water- en energieverbruik en wordt niet aanbevolen.

HYGIËNE

Om te voorkomen dat zich geur en afzetting ophoopt in de afwasmachine moet u ten minste één per maand een programma met hoge temperatuur laten draaien. Gebruik een theelepel vaatwasmiddel en laat het apparaat zonder lading draaien.

REINIGING EN ONDERHOUD

HET FILTERSISTEEM REINIGEN

einig het filtersysteem regelmatig, zodat de filters niet verstopten en het afvalwater correct weg stroomt.

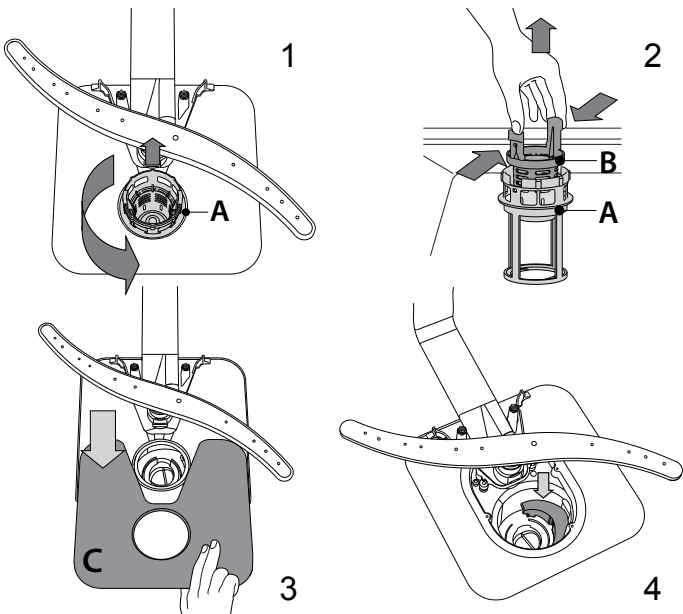
Het gebruik van vaatwasmachines met verstopte filters of vreemde voorwerpen in het filtersysteem of de sproeiarmen kan de slechte werking ervan en bijgevolg lagere prestaties, lawaai of een hoger verbruik van hulpbronnen veroorzaken.

Het filtersysteem bestaat uit drie filters die voedselresten uit het afwaswater verwijderen en vervolgens het water opnieuw laten circuleren.

De afwasmachine mag niet worden gebruikt zonder filters of als het filter is losgeraakt.

Controleer tenminste eens per maand of na elke 30 cyclussen het filtersysteem en reinig het eventueel grondig onder stromend water, met een niet-metalen borstel en volgens de onderstaande instructies:

1. Draai het cilindrische filter **A** linksom en trek het uit (Afb. 1).
2. Verwijder het houderfilter **B** door licht op de zijkleppen te drukken (Afb. 2).
3. Schuif de roestvrij stalen plaat filter **C** er uit (Afb. 3).
4. Als u vreemde voorwerpen vindt (gebroken glas, porselein, beenderen, zaden van vruchten, enz.), **verwijderd u ze zorgvuldig**.
5. Inspecteer de sifon en verwijder eventuele voedselresten. **VERWIJDER NOOIT** de pompbescherming van het wasprogramma (zwart detail) (Afb. 4).



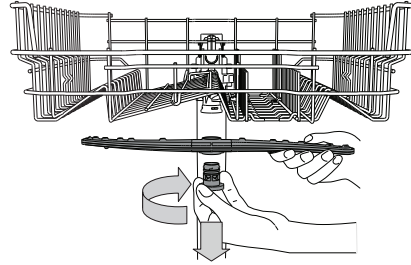
Na het schoonmaken van het filter het filtersysteem opnieuw plaatsen en goed op zijn plaats zetten; dit is essentieel voor het behoud van de efficiënte werking van de afwasmachine.

DE TOEVOERSLANG REINIGEN

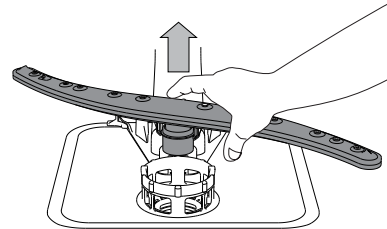
Als de waterslangen nieuw zijn of een langere periode niet zijn gebruikt laat dan, voordat de benodigde aansluitingen worden uitgevoerd, het water lopen, om ervoor te zorgen het helder is en vrij van onzuiverheden. Als deze voorzorgsmaatregel niet wordt genomen kan de waterinlaat geblokkeerd worden en kan de afwasmachine beschadigd raken.

DE SPROEIERARMEN REINIGEN

Af en toe kunnen er voedselresten op de sproeiarmen vastzitten en worden de openingen voor het water sproeien geblokkeerd. Het is daarom raadzaam dat u de armen van tijd tot tijd controleert en ze met een kleine niet-metalen borstel schoonmaakt..



Om de bovenste sproeiarm te verwijderen, draait u de plastic borging rechtsom. De bovenste sproeiarm moet worden vervangen, zodat de zijde met het grotere aantal openingen naar boven is gericht.



De onderste sproeiarm kan worden verwijderd door het omhoog te trekken.

WATERVERZACHTEND SYSTEEM

Waterverzachters reduceren automatisch de waterhardheid en voorkomen bijgevolg ketelsteenvorming op de verwarmers en dragen bij tot een efficiëntere reiniging.

Dit systeem wordt automatisch met zout geregenereerd, u dient dus het zoutreservoir te vullen wanneer het leeg is.


De frequentie van de regeneratie hangt af van de instelling van het waterhardheidsniveau - de regeneratie wordt uitgevoerd om de **6** Eco-cyclussen met het waterhardheidsniveau ingesteld op **3**.

Het regeneratieproces start tijdens de laatste spoeling en eindigt tijdens de droogfase, voordat de cyclus beëindigt.

- Eén enkele regeneratie verbruikt: ~3,5 liter water;
- Doet de cyclus 5 minuten langer duren;
- Verbruikt minder dan 0,005 kWh energie.

PROBLEMEN OPLOSSEN

Als uw vaatwasmachine niet goed werkt, doorloopt u de onderstaande lijst om te controleren u of u het probleem kunt verhelpen. Voor andere fouten of problemen neemt u contact op met de bevoegde Consumentenservice, de contactgegevens ervan vindt u in de garantieboekje. Reserveonderdelen zijn beschikbaar voor een periode van maximaal 7 of maximaal 10 jaar, afhankelijk van de regels die van toepassing zijn..

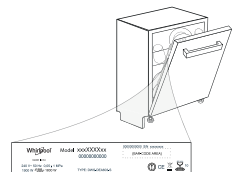
PROBLEMEN	MOGELIJKE OORZAKEN	OPLOSSINGEN
 Zoutindicator brandt	Zoutreservoir is leeg. (Na het bijvullen kan het controlelampje van het zoutniveau blijven branden gedurende een aantal afwascycli).	Vul reservoir bij met zout (voor meer informatie - raadpleeg pagina 2). Pas de waterhardheid aan - zie tabel, pagina 2.
De afwasmachine start niet of reageert niet op opdrachten.	Het apparaat is niet goed aangesloten.	Steek de stekker in het stopcontact.
	Stroomuitval.	Om veiligheidsredenen wordt de vaatwasmachine niet automatisch opnieuw gestart wanneer er opnieuw stroom is. Open de deur van de vaatwasmachine, druk op de START/Pauze-toets en sluit de deur binnen 4 sec.
	De deur van de afwasmachine is niet goed gesloten.	De deur krachtig aanduwen totdat u de „klik“ hoort.
	De cyclus wordt onderbroken als de deur > 4 seconden wordt geopend.	Druk op START/Pauze en sluit de deur binnen 4 seconden.
De afwasmachine pompt niet af.	Het wasprogramma is nog niet klaar.	Wacht totdat het wasprogramma klaar is.
	Er zit een knik in de afvoerslang.	Controleer of er geen knik zit in de afvoerslang (zie <i>INSTALLATIEGIDS</i>).
De afwasmachine maakt veel lawaai.	De pijp van de gootsteenafvoer is geblokkeerd.	Reinig de pijp van de gootsteenafvoer.
	Het filter is verstopt met voedselresten	Reinig het filter (zie <i>HET FILTERSISTEEM REINIGEN</i>).
Het vaatwerk is niet schoon.	Het vaatwerk rammelt tegen elkaar.	Rangschik het serviesgoed goed (zie <i>REKKEN VULLEN</i>).
	Er is een bovenmatige hoeveelheid schuim geproduceerd.	Het vaatwasmiddel is niet goed afgemeten of het is niet geschikt voor gebruik in afwasmachines (zie <i>REKKEN VULLEN</i>). Start de actuele wascyclus opnieuw: schakel de afwasmachine UIT, vervolgens terug in, selecteer een nieuw programma, druk op START/Pauze en sluit de deur binnen 4 seconden. Voeg geen vaatwasmiddel toe.
	Het serviesgoed is niet goed gerangschikt.	Rangschik het serviesgoed goed (zie <i>REKKEN VULLEN</i>).
	De sproeierarmen kunnen niet vrij draaien, ze worden door het vaatwerk belemmerd.	Rangschik het serviesgoed goed (zie <i>REKKEN VULLEN</i>).
	Het wasprogramma is te zacht.	Selecteer een geschikt wasprogramma (zie <i>PROGRAMMATABEL</i>).
	Er is een bovenmatige hoeveelheid schuim geproduceerd.	Het vaatwasmiddel is niet goed afgemeten of het is niet geschikt voor gebruik in afwasmachines.
	De dop op het glansspoelmiddelcompartiment is niet correct afgesloten.	Zorg ervoor dat de dop van het glansspoelmiddelbakje is gesloten.
Het filter is bevuld of verstopt.	Reinig het filtersysteem (zie <i>VERZORGING EN ONDERHOUD</i>).	
De afwasmachine vult zich niet met water. Alle LED's knipperen snel	Er is geen zout.	Vul het zoutreservoir (zie <i>HET ZOUTRESERVOIR BIJVULLEN</i>).
	Geen water in de watertoevoer of de kraan is gesloten.	Zorg ervoor dat er water in de watertoevoer komt of dat de kraan loopt.
	Er zit een knik in de toevoerslang.	Controleer of er geen knik in de toevoerslang zit (zie <i>INSTALLATIE</i>), de afwasmachine herprogrammeren en rebooten.
De vaatwasmachine beëindigt de cyclus voortijdig.	De zeef in de watertoevoerslang is verstopt; het moet gereinigd worden.	Na het controleren en reinigen, de afwasmachine uitschakelen en inschakelen en een nieuw programma starten.
	De afvoerslang bevindt zich te laag of heveling in het huishoudelijke afvalwatersysteem.	Controleer of het uiteinde van de afvoerslang zich op de juiste hoogte bevindt (zie <i>INSTALLATIE</i>). Controleer de heveling in het huishoudelijke afvalwatersysteem, installeer zo nodig een luchttoevoerklep.
	Lucht in watertoevoer.	Controleer de watertoevoer op lekken of andere problemen die lucht inlaten.

De bedrijfsregels, standaarddocumentatie, bestellen van onderdelen en aanvullende productinformatie kunt u vinden:



- Op onze website docs.indesit.eu en parts-selfservice.whirlpool.com
- Gebruik makend van de QR-code
- Anders, **contacteer onze Klantenservice** (Het telefoonnummer staat in het garantieboekje). Wanneer u contact neemt met de Klantenservice, gelieve de codes te vermelden die op het identificatieplaatje van het apparaat staan.

De modelinformatie kan gevonden worden aan de hand van de QR-code die op het energielabel aangegeven is. Het label bevat ook de model-ID die kan worden gebruikt om het portaal van het register te raadplegen op <https://eprel.ec.europa.eu>



400011652613B

01/2023 ks - Xerox Fabriano



INSTRUKCJA CODZIENNEJ EKSPLOATACJI



DZIĘKUJEMY ZA ZAKUP PRODUKTU INDESIT.
Aby uzyskać kompleksową pomoc, prosimy zarejestrować urządzenie na stronie: www.indesit.com/register

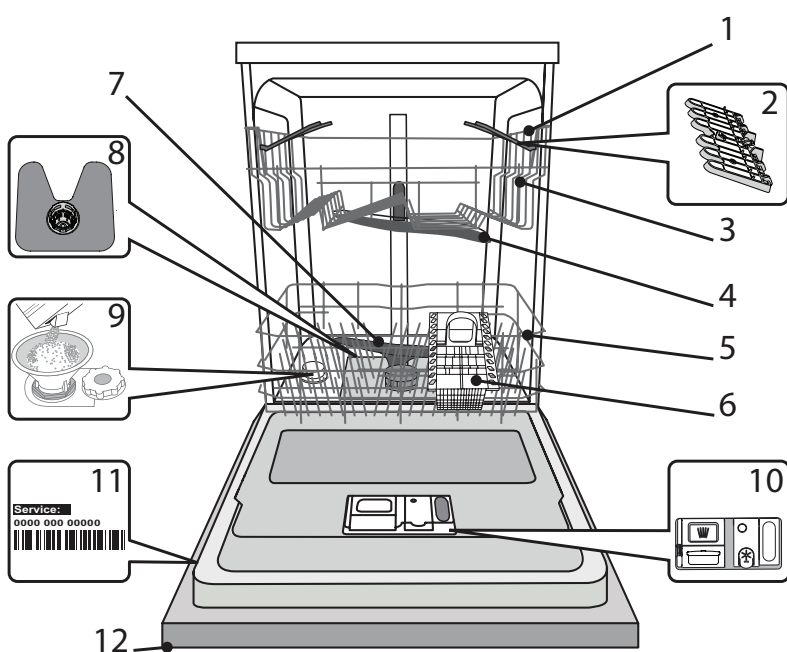


Instrukcje Bezpieczeństwa oraz Podręcznik Użytkownika można pobrać odwiedzając naszą stronę docs.indesit.eu i postępując zgodnie ze wskazówkami zamieszczonymi na odwrocie tej broszury.

Przez użyciem urządzenia przeczytać uważnie Instrukcje Bezpieczeństwa.

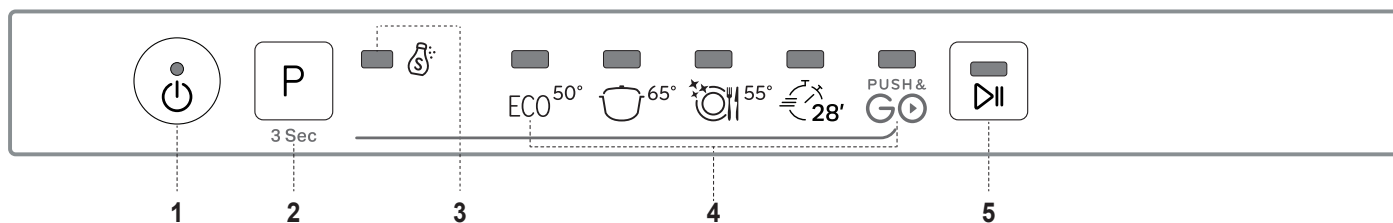
OPIS PRODUKTU

URZĄDZENIE



1. Górny kosz
2. Składane półeczki
3. Regulator wysokości górnego kosza
4. Górne ramię natryskowe
5. Dolny kosz
6. Koszyk na sztućce
7. Dolne ramię natryskowe
8. Zespół filtra
9. Zbiornik soli
10. Dozowniki detergentu i płynu nabyliczającego
11. Tabliczka znamionowa
12. Panel sterowania

PANEL STEROWANIA



1. Przycisk i kontrolka Wł.-Wył./Reset
2. Przycisk wyboru programu / Push&GO
3. Kontrolka „Brak soli”
4. Kontrolki programu
5. Przycisk i kontrolka „Start/Pauza”

PIERWSZE UŻYCIE

SÓL DO ZMYWAREK, DODATKI DO PŁUKANIA I DETERGENT


WSKAZÓWKI DOTYCZĄCE PIERWSZEGO UŻYCIA URZĄDZENIA

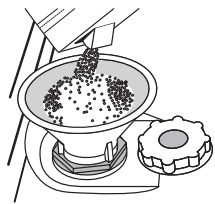
Po zainstalowaniu urządzenia należy wyjąć ograniczniki z koszy oraz elastyczne elementy mocujące z górnego kosza.

NAPEŁNIANIE ZBIORNIKA SOLI

Zastosowanie soli zapobiega tworzeniu się KAMIENIA na naczyńach i funkcjonalnych podzespołach zmywarki.

- Konieczne jest, aby **ZBIORNIK SOLI NIGDY NIE BYŁ PUSTY**.
- Ważne też jest odpowiednie ustawienie twardości wody.

Zbiornik soli znajduje się w dolnej części zmywarki (patrz *OPIS PRODUKTU*), i musi zostać napełniony, gdy na panelu sterowania świeci się kontrolka **BRAK SOLI** .



1. Wyjąć dolny kosz i odkręcić korek zbiornika (w kierunku przeciwnym do ruchu wskazówek zegara).
2. **Tylko podczas wykonywania czynności po raz pierwszy: Napełnić zbiornik soli wodą.**
3. Umieścić lejek (patrz rys.) i wsypać sól aż do krawędzi zbiornika (około 1 kg); niewielki wyciek wody jest tu normalny.
4. Wyjąć lejek i wytrzeć resztki soli wokół otworu.

Upewnić się, czy korek jest mocno dokręcony, aby detergent nie mógł przedostać się do zbiornika podczas programu zmywania (mogłoby to spowodować nienaprawialne uszkodzenie zmiękczacza wody).

Jeśli trzeba uzupełnić ilość soli w urządzeniu, należy wykonać tę czynność przed rozpoczęciem cyklu zmywania aby uniknąć korozji.

USTAWIENIE TWARDOŚCI WODY

Aby zmiękczacze wody działał idealnie, istotne jest ustawienie twardości wody na podstawie rzeczywistej twardości doprowadzanej wody. Tę informację można uzyskać od lokalnego dostawcy wody.

Zakład produkcyjny ustawia domyślną wartość dla twardości wody.

- Włączyć urządzenie, naciskając przycisk **WŁ./WYŁ.**
- Wyłączyć urządzenie, naciskając przycisk **WŁ./WYŁ.**
- Przytrzymać przycisk **P** przez 5 sekund, aż będzie słychać sygnał dźwiękowy.
- Włączyć urządzenie, naciskając przycisk **WŁ./WYŁ.**
- Miga kontrolka programu z aktualnie ustawionym poziomem.
- Wcisnąć przycisk **P**, by wybrać żądany poziom twardości (patrz *TABELA TWARDOŚCI WODY*).

Tabela twardości wody			
Poziom	°dH St. niemieckie	°fH St. francuskie	°Clark St. brytyjskie
1 Miękka	0 - 6	0 - 10	0 - 7
2 Średnia	7 - 11	11 - 20	8 - 14
3 Przeciętna	12 - 16	21 - 29	15 - 20
4 Twarda	17 - 34	30 - 60	21 - 42
5 Bardzo twarda	35 - 50	61 - 90	43 - 62

- Wyłączyć urządzenie, naciskając przycisk **WŁ./WYŁ.**

Ustawienie zostało wykonane!

Po zakończeniu tych czynności włączyć program bez wkładania naczyń.

Należy stosować wyłącznie taką sól, która jest specjalnie przeznaczona do zmywarek.

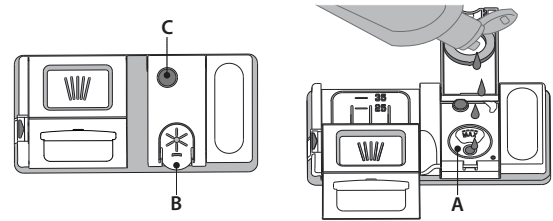
Po wsypaniu soli do zmywarki kontrolka **BRAK SOLI** gaśnie.

Jeśli pojemnik z solą jest pusty, istnieje ryzyko uszkodzenia zmiękczacza wody oraz grzałki z powodu nagromadzenia osadu.

Stosowanie soli jest zalecane z każdym rodzajem detergentu do zmywarek.

NAPEŁNIANIE DOZOWNIKA PŁYNU NABŁYSZCZAJĄCEGO

Płyn nabłyszczający ułatwia SUSZENIE naczyń. Dozownik płynu nabłyszczającego **A** powinien zostać napełniony, gdy czerny wskaźnik optyczny na drzwiczkach dozownika **C** stanie się przyciemniony.



1. Otworzyć dozownik **B**, naciskając i podnosząc kłapkę na pokrywce.
2. Ostrożnie wlewać płyn nabłyszczający, aż do kreski oznaczającej maksymalny poziom napełnienia (110 ml) - unikać rozlania płynu. Jeśli tak się stanie, należy natychmiast wytrzeć rozlany płyn suchą szmatką.
3. Zatrzęsnać pokrywke.

NIGDY nie wlewać płynu nabłyszczającego bezpośrednio do komory zmywarki.

REGULACJA DOZOWANIA PŁYNU NABŁYSZCZAJĄCEGO

Jeśli rezultaty suszenia nie są w pełni zadowalające, można wyregulować dozowanie używanego płynu nabłyszczającego.

- Włączyć zmywarkę za pomocą przycisku **WŁ./WYŁ.**
- Wyłączyć urządzenie za pomocą przycisku **WŁ./WYŁ.**
- Nacisnąć trzykrotnie przycisk **P** - będzie słychać sygnał dźwiękowy.
- Włączyć ją za pomocą przycisku **WŁ./WYŁ.**
- Miga kontrolka programu z aktualnie ustawionym poziomem.
- Nacisnąć przycisk **P**, aby wybrać poziom dozowania płynu nabłyszczającego.
- Wyłączyć urządzenie za pomocą przycisku **WŁ./WYŁ.**

Ustawienie zostało wykonane!

Jeśli poziom dozowania płynu nabłyszczającego został ustawiony na 1 (ECO), płyn nabłyszczający nie będzie dozowany. Kontrolka **BRAK PŁYNU NABŁYSZCZAJĄCEGO** nie będzie świecić, jeśli zabraknie płynu nabłyszczającego.

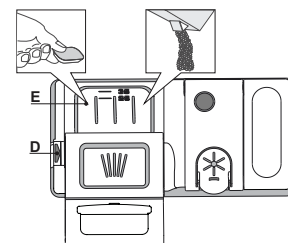
Można ustawić maksymalnie 5 poziomów, zależnie od modelu zmywarki.

Ustawienia fabryczne zależą od modelu urządzenia. Aby sprawdzić ustawienia posiadanej zmywarki, należy postąpić według instrukcji powyżej.

- Jeśli na naczyńach są widoczne niebieskawe smugi, należy ustawić niski poziom (2-3).
- Jeśli na naczyńach pozostają krople wody lub oznaki kamienia, należy ustawić wysoki poziom (4-5).

NAPEŁNIANIE DOZOWNIKA DETERGENTU

Aby otworzyć dozownik detergentu, użyć urządzenia do otwierania D. Detergent wsypywać/wlewać tylko do suchego zasobnika E. Detergent przeznaczony do mycia wstępnego wsypywać/wlewać bezpośrednio do komory zmywarki.



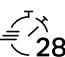



1. Odmierzając dawkę detergentu, należy uwzględnić informacje podane powyżej, aby dodana ilość detergentu była prawidłowa. Wewnątrz dozownika **E** znajdują się oznaczenia ułatwiające dozowanie detergentu.
2. Przed zatrzęsnięciem pokrywki usunąć pozostałości detergentu z krawędzi dozownika.
3. Zamknąć pokrywke dozownika detergentu, pociągając ją w górę tak, aż urządzenie zamykające zostanie zablokowane na swoim miejscu.

Dozownik detergentu otwiera się automatycznie w odpowiednim czasie, zgodnie z danym programem.

Zastosowanie detergentów nieprzeznaczonych do użytku w zmywarkach może spowodować nieprzewidywalne działanie lub uszkodzenie urządzenia.

TABELA PROGRAMÓW

Program			Faza suszenia	Czas trwania programu zmywania (godz.:min) ^{*)}	Zużycie wody (litry/cykl)	Zużycie energii (kWh/cykl)
1. Eko	ECO	50°	✓	3:35	9,5	0,95
2. Intensywny		65°	✓	2:40	18,0	1,60
3. Mieszane		55°	✓	2:15	16,0	1,40
4. Fast&Clean 28'		50°	-	0:28	9,0	0,50
5. Push&GO		50°	✓	1:30	11,5	1,30

Dane Programu Eko uzyskano na podstawie pomiarów wykonanych w warunkach laboratoryjnych zgodnie z normą europejską EN 60436:2020.

Uwaga dla laboratoriów testowych: szczegółowe informacje dotyczące warunków testów porównawczych EN można uzyskać pod adresem: dw_test_support@whirlpool.com

Przed każdym z tych programów nie ma potrzeby wstępnego przygotowania naczyń.

*) Wartości podane dla innych programów niż program Eco mają charakter referencyjny.

Rzeczywisty czas może się zmieniać w zależności od wielu czynników, takich jak temperatura i ciśnienie dopływającej wody, temperatura otoczenia, ilość detergentu, wielkość i typ ładunku oraz jego wyważenie, a także od dodatkowo wybranych opcji i kalibracji czujnika. Kalibracja czujnika może wydłużyć czas trwania programu aż o 20 min.

OPIS PROGRAMÓW

Instrukcje wyboru cyklu zmywania.

1 EKO

Program Eco jest przeznaczony do mycia naczyń o zwykłym stopniu zabrudzenia; dla tego zastosowania jest to najbardziej wydajny program pod względem zużycia energii elektrycznej i wody oraz w takim zastosowaniu program ten uzyskał certyfikat zgodności z dyrektywą unijną Ecodesign.

2 INTENSYWNY

Program do zmywania bardzo zabrudzonych naczyń, szczególnie zalecany do patelni i garnków (nie powinien być używany do delikatnych naczyń).

3 MIESZANE

Różne zabrudzenia. Do mycia normalnie zabrudzonych naczyń z zasknietymi resztkami potraw.

PUSH&GO

Wyraźnie odróżniający się przycisk Push&GO umożliwia bezpośredni dostęp do programu Push&GO, cyklu zmywania i suszenia zapewniającego doskonale rezultaty zmywania w krótkim czasie. Nie musisz martwić się, który program wybrać – cykl Push&GO wykona pracę za Ciebie.

Aby wybrać program Push&GO należy włączyć urządzenie, naciśnięć przycisk **P**, przytrzymać go przez 3 sekundy (zaświeci się odpowiednia kontrolka) i zamknąć drzwiczki w przeciągu 4 sekund.

4 FAST&CLEAN 28'

Program należy stosować przy połowie ładunku lub lekko zabrudzonych naczyniach, na których nie zalegają resztki jedzenia. Nie ma fazy suszenia

5 PUSH&GO

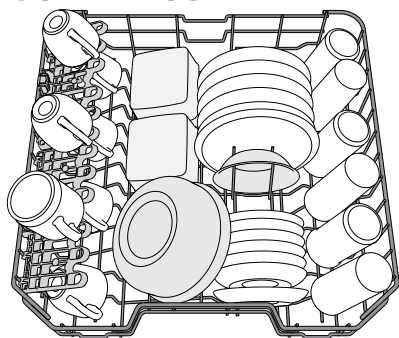
Codzienny cykl mycia i suszenia zapewnia świetne rezultaty zmywania w krótkim czasie i bez konieczności przygotowania naczyń.

Uwagi:

Należy pamiętać, że cykl *Fast&Clean 28'* służy do mycia lekko zabrudzonych naczyń.

ŁADOWANIE KOSZY

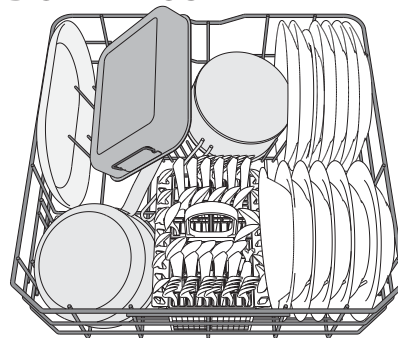
GÓRNY KOSZ



(przykładowe załadowanie górnego kosza)

Tu należy wkładać delikatne i lekkie naczynia: szklanki, filiżanki, talerzyki, małe miseczki do sałatek.

DOLNY KOSZ



(przykład sposobu załadowania dolnego kosza)

Do garnków, pokrywek, talerzy, misek do sałatek, sztućców itp. Duże talerze i pokrywki powinny być umieszczane z boku, aby uniknąć stykania się z ramieniem natryskowym.

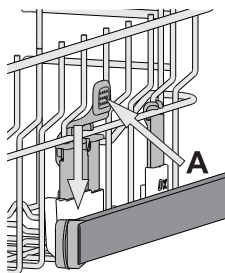
REGULACJA WYSOKOŚCI GÓRNEGO KOSZA

Wysokość górnego kosza można wyregulować: wyższe położenie umożliwi umieszczenie dużych naczyń w dolnym koszu, a niższe pozwala na najwyższe ustawienie podnoszonych wsporników, co daje więcej miejsca u góry, a jednocześnie pozwala uniknąć stykania się z naczyniami umieszczonymi w dolnym koszu.

Górny kosz jest wyposażony w **regulator wysokości górnego kosza** (patrz ilustracja); bez naciskania dźwigni, można łatwo podnieść kosz trzymając go za boczne części i umieszczając stabilnie w górnym położeniu.

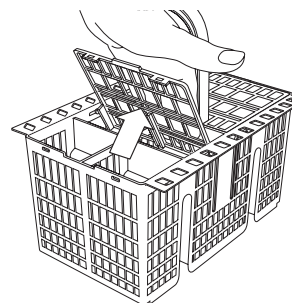
Aby przywrócić dolne położenie, nacisnąć dźwignię **A** po bokach kosza i przesunąć kosz w dół.

Zdecydowanie zalecamy, aby nie regulować wysokości kosza, gdy jest załadowany. NIGDY nie podnosić lub opuszczać kosza tylko z jednej strony.



KOSZYK NA SZTUĆCE

Koszyk jest wyposażony w górne kratki, które pozwalają na lepsze rozmieszczenie sztućców. Koszyk na sztućce powinien być umieszczony tylko w przedniej części dolnego kosza.



Noże i inne akcesoria o ostrych czubkach i krawędziach należy wkładać do koszyka na sztućce ostrzami skierowanymi w dół lub układać je poziomo na podnoszonych półeczkach, w górnym koszu.

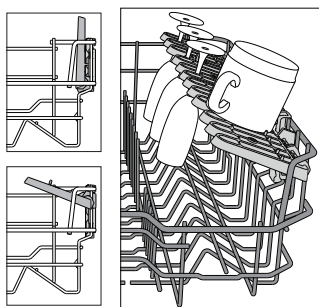
SKŁADANE PÓLECZKI Z REGULOWANYM POŁOŻENIEM

Boczne składane klapy można złożyć lub rozłożyć, aby zoptymalizować ułożenie naczyń w koszyku.

Kieliszki do wina można bezpiecznie umieścić, wkładając nóżkę każdego kieliszka do odpowiedniego otworu.

W zależności od modelu:

- aby rozłożyć klapy, należy wysunąć je do góry i obrócić lub zwolnić z zatrzasków i pociągnąć do dołu.
- aby złożyć klapy, należy obrócić je i wsunąć je do dołu lub wyciągnąć do góry i zamocować do zatrzasków.



CODZIENNA EKSPLOATACJA

1. SPRAWDZENIE PRZYŁĄCZA WODY

Sprawdzić, czy zmywarka jest podłączona do instalacji wodnej i czy zawór wody jest otwarty.

2. WŁĄCZANIE ZMYWARKI

Otworzyć drzwiczki i nacisnąć przycisk **WŁ./WYŁ.**

3. WKŁADANIE NACZYŃ DO KOSZA

(patrz ŁADOWANIE KOSZY)

4. NAPEŁNIANIE DOZOWNIKA DETERGENTU

5. WYBÓR PROGRAMU I DOSTOSOWANIE CYKLU

Wybrać najbardziej odpowiedni program, dostosowany do typu naczyń i stopnia ich zabrudzenia (patrz OPIS PROGRAMÓW), naciskając przycisk **P**.

Wybrać żądane opcje (patrz OPCJE I FUNKCJE).

6. START

Aby rozpocząć cykl zmywania, należy nacisnąć przycisk **START/Pauza** (zaświeci się dioda LED), a następnie w ciągu 4 sek. od tej czynności, zamknąć drzwiczki. Po uruchomieniu programu pojawi się pojedynczy sygnał dźwiękowy. Jeśli drzwiczki nie zostaną zamknięte w ciągu 4 sekund, rozlegnie się dźwięk alarmu.

W takim przypadku otworzyć drzwiczki, nacisnąć przycisk **START/Pauza** i ponownie zamknąć drzwiczki w ciągu 4 sek.

7. KONIEC CYKLU ZMYWANIA

Koniec cyklu prania sygnalizowany jest sygnałem dźwiękowym i miganiem kontrolki wybranego programu. Otworzyć drzwiczki i wyłączyć urządzenie, naciskając przycisk **WŁ./WYŁ.**

Przed wyjęciem naczyń odczekać kilka minut - aby uniknąć oparzenia. Wyjąć naczynia, zaczynając od dolnego kosza.

Po dłuższym czasie braku aktywności urządzenie wyłączy się automatycznie, w celu zminimalizowania zużycia energii elektrycznej. Gdy naczynia są tylko lekko zabrudzone lub przed umieszczeniem ich w zmywarce zostały splukane wodą, można odpowiednio zmniejszyć ilość używanego detergentu.

MODYFIKOWANIE URUCHOMIONEGO PROGRAMU

Jeżeli wybrano niewłaściwy program, można go zmienić, pod warunkiem, że właśnie się on rozpoczął: otworzyć drzwiczki, nacisnąć i przytrzymać przycisk **WŁ./WYŁ.**; urządzenie wyłączy się.

Włączyć zmywarkę z powrotem, za pomocą przycisku **WŁ./WYŁ.** i wybrać nowy cykl zmywania oraz żądane opcje; uruchomić cykl, naciskając przycisk **START/Pauza** i zamykając drzwiczki w ciągu 4 sek.

UMIESZCZANIE DODATKOWYCH NACZYŃ

Otworzyć drzwiczki bez wyłączania urządzenia (**START/Pauza**, dioda ledowa zaczyna migać) (**uwaga na GORĄCĄ parę!**) i umieścić naczynia w zmywarce. Nacisnąć przycisk **START/Pauza** i zamknąć drzwiczki w ciągu 4 sek. Cykl zostanie wznowiony od momentu, w którym go przerwano

PRZYPADKOWE PRZERWY

Jeśli drzwiczki zostaną otwarte podczas zmywania lub nastąpi przerwa w zasilaniu, cykl zatrzyma się. Aby wznowić cykl od momentu, w którym został przerwany, zamknąć drzwiczki w ciągu 4 sek. i nacisnąć przycisk **START/Pauza**.

PORADY I WSKAZÓWKI

PORADY

Przed włożeniem naczyń do kosza, należy usunąć wszystkie resztki jedzenia i opróżnić szklanki. **Nie trzeba ich wcześniej płukać pod bieżącą wodą.** Rozmieścić naczynia tak, aby były mocno utrzymywane na miejscu i nie mogły się przewrócić; pojemniki ułożyć tak, aby ich otwory były skierowane w dół, a wkłose/wypukłe elementy były ustawione ukośnie, dzięki czemu woda będzie mogła docierać do każdej powierzchni i swobodnie przepływać.

Ostrzeżenie: pokrywki, uchwyty, tace i patelnie nie mogą uniemożliwiać obracania się ramion natryskowych.

Wszystkie małe przedmioty należy umieszczać w koszyku na sztućce.

Bardzo zabrudzone naczynia i patelnie powinny być umieszczane w dolnym koszu, ponieważ w tej części komory zmywarki strumienie wody są silniejsze i zmywanie jest bardziej skuteczne.

Po włożeniu naczyń do zmywarki trzeba sprawdzić, czy ramiona natryskowe mogą obracać się swobodnie.

NACZYNIA NIE NADAJĄCE SIĘ DO ZMYWANIA W ZMYWARKACH

- Naczynia i sztućce drewniane.
- Szklanki z delikatnym zdobieniem, wyroby artystyczne lub naczynia zabytkowe. Ich zdobienia nie są odporne.
- Elementy z tworzywa sztucznego, które nie są odporne na wysokie temperatury.
- Naczynia miedziane i cynowe.
- Naczynia zabrudzone popiołem, woskiem, smarem lub tuszem.

Kolory szklanych dekoracji oraz aluminiowe/srebrne części mogą zmienić się lub ściemnieć podczas zmywania. Niektóre rodzaje wyrobów szklanych (np. kryształ) mogą stracić przezroczystość po zbyt wielu cyklach zmywania.

USZKODZENIE NACZYŃ SZKLANYCH I PORCELANOWYCH

- W zmywarkach można myć tylko takie naczynia szklane i porcelanowe, których producent deklaruje, że są przeznaczone do zmywarek.
- Używać delikatnego detergentu, przeznaczonego do porcelany
- Naczynia szklane i porcelanowe należy wyjmować ze zmywarki, jak tylko zmywanie się skończy.

WSKAZÓWKI DOTYCZĄCE OSZCZĘDZANIA ENERGII

- Jeśli zmywarka domowa użytkowana jest zgodnie z zaleceniami producenta, **zmywanie naczyń w zmywarce zazwyczaj pochłania MNIEJ ENERGII ELEKTRYCZNEJ i mniej wody niż zmywanie ręczne.**
- Aby maksymalnie zwiększyć wydajność zmywarki, **należy uruchomić cykl zmywania po pełnym załadunku urządzenia.** Ładowanie zmywarki domowej w stopniu zalecanym przez producenta przyczyni się do oszczędności energii elektrycznej i wody. Informacje na temat prawidłowego ładowania naczyń w zmywarce można odnaleźć w rozdziale ŁADOWANIE KOSZY.
- W przypadku częściowego załadunku, zaleca się skorzystanie ze specjalnych opcji, jeśli są one dostępne (Połowa załadunku/ Zmywanie strefowe/ Wiele stref), zapewniając jedynie wybrane kosze. Nieprawidłowe lub nadmierne ładowanie zmywarki może spowodować zwiększenie zużycia mediów (np. wody, energii, czasu lub zwiększenie poziomu hałasu), co wpływa negatywnie na wydajność suszenia.
- Ręczne splukiwanie naczyń przyczynia się do większego zużycia wody i energii elektrycznej i nie jest zalecane

DEZYNFEKCJA ZMYWARKI

Aby uniknąć powstawania nieprzyjemnych zapachów i tworzenia się osadów, które mogą pojawić się w zmywarce, **należy co najmniej raz w miesiącu włączyć program z wysoką temperaturą.** Aby wyczyścić zmywarkę, należy wsypać/wlać jedną łyżeczkę detergentu i włączyć program bez wkładania naczyń.

UTRZYMANIE I KONSERWACJA

CZYSZCZENIE ZESPOŁU FILTRA

Zespół filtra należy regularnie czyścić, zapobiegając jego zapychaniu i zapewniając prawidłowy odpływ ścieków.

Używanie zmywarki, w której zablokowane są filtry lub zawierającej ciała obce w układzie filtrowania może spowodować nieprawidłowe działanie urządzenia, co prowadzi do obniżenia wydajności, głośniejszej pracy lub większego wykorzystania mediów.

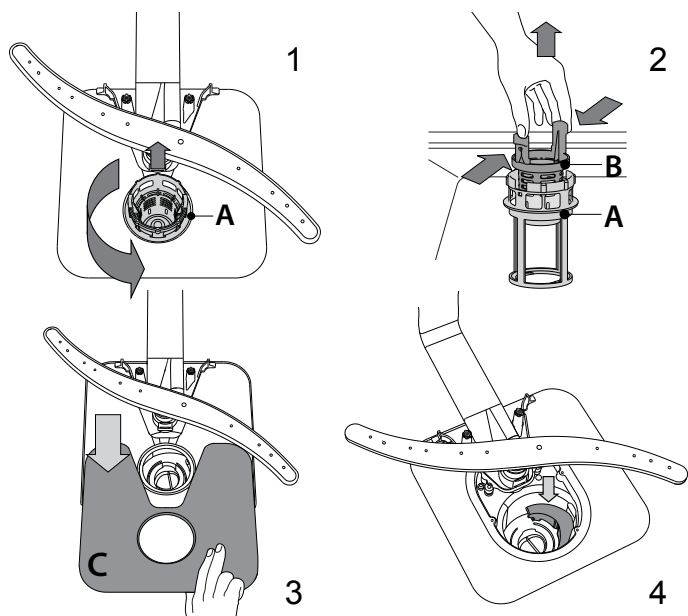
Zespół filtra składa się z trzech filtrów, które usuwają resztki jedzenia z myjącej wody, a następnie umożliwiają jej obieg: aby uzyskać najlepsze rezultaty zmywania, należy utrzymywać je w czystości.

Nie wolno używać zmywarki bez filtrów lub jeśli filtry są źle zamocowane.

Co najmniej raz na miesiąc lub po każdym 30 cyklach zmywania należy sprawdzić zespół filtra i w razie

potrzeby oczyścić go dokładnie pod bieżącą wodą za pomocą szczoteczki z nie-metalowym włosiem i postępując zgodnie z poniższymi instrukcjami:

1. Odkręcić filtr cylindryczny **A** w kierunku ruchu wskazówek zegara i wyciągnąć go (Rys. 1).
2. Zdjąć korek filtra **B** lekko naciskając boczne klapki (Rys. 2).
3. Wysunąć filtr płytkowy ze stali nierdzewnej **C** (Rys. 3).
4. W przypadku odnalezienia ciał obcych (np. potłuczonego szkła, porcelany, kości, pestek owoców itp.), należy je ostrożnie wyjąć.
5. Sprawdzić syfon i usunąć wszelkie resztki potraw. **NIGDY NIE NALEŻY WYJMOWAĆ** osłony pompy cyklu myjącego (czarny element) (Rys. 4).



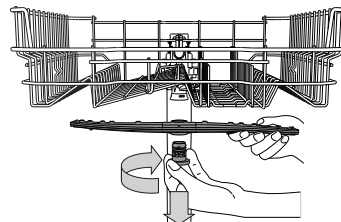
Po oczyszczeniu filtrów założyć z powrotem zespół filtra i zamocować go w prawidłowym położeniu; jest to niezbędne dla utrzymania sprawnego funkcjonowania zmywarki.

CZYSZCZENIE WĘŻA DOPŁYWOWEGO WODY

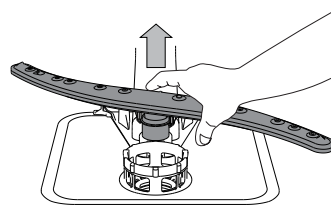
Jeśli węże wody są nowe lub nie były używane przez dłuższy czas, to przed wykonaniem niezbędnych połączeń należy przepuścić przez nie strumień wody, aby upewnić się, czy woda jest czysta i wolna od zanieczyszczeń. Jeśli takie środki ostrożności nie zostaną podjęte, wlot wody może zostać zablokowany, a zmywarka uszkodzona.

CZYSZCZENIE RAMION NATRYSKOWYCH

Może się zdarzyć, że resztki potraw pozostaną na ramionach natryskowych i będą zatykać otwory, przez które wytryskiwana jest woda. Dlatego też zaleca się, aby od czasu do czasu sprawdzić ramiona natryskowe i oczyścić je małą szczoteczką z nie-metalowym włosiem.



Aby zdjąć górne ramię natryskowe należy przekręcić plastikowy pierścień blokujący w kierunku ruchu wskazówek zegara. Górne ramię natryskowe powinno zostać z powrotem założone w taki sposób, aby strona z większą liczbą otworów była skierowana do góry.



Dolne ramię natryskowe można wyjmować pociągając je w górę.

SYSTEM ZMIĘKCZANIA WODY

Zmiękczacz wody automatycznie zmniejsza twardość wody, tym samym zapobiegając nagromadzeniu osadu na grzałce co z kolei przyczynia się do większej wydajności zmywania.

System sam regeneruje się przy pomocy soli, zatem zbiornik soli należy uzupełniać jak tylko będzie pusty.


Częstotliwość regeneracji zależy od ustawienia poziomu twardości wody - regeneracja następuje raz na 6 cykli Eco, kiedy twardość wody ustawiona jest na poziom 3.

Proces regeneracji rozpoczyna się wraz z ostatnim płukaniem i kończy podczas etapu suszenia przed końcem cyklu.

- Podczas jednej regeneracji: ~Zużycie 3.5 L wody;
- Dodatkowe 5 minut cyklu;
- Zużycie poniżej 0,005 kWh energii elektrycznej.

USUWANIE USTEREK

Jeśli zmywarka nie działa prawidłowo, należy sprawdzić czy problem można rozwiązać wykonując czynności opisane poniżej. W przypadku błędów lub problemów prosimy skontaktować się z zakładem serwisowym, którego dane kontaktowe można odnaleźć w książeczce gwarancyjnej. Części zamienne będą dostępne przez okres do 7 lub do 10 lat, zgodnie z określonymi wymaganiami rozporządzenia.

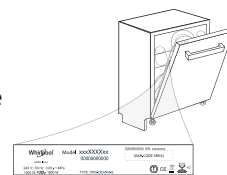
PROBLEM	MOŻLIWE PRZYCZYNY	ROZWIĄZANIE
 Świeci się wskaźnik poziomu soli	Zbiornik soli jest pusty. (Po napełnieniu kontrolka poziomu soli może się świecić po zakończeniu kilku kolejnych programów zmywania).	Napełnić zbiornik solą (aby uzyskać więcej informacji, patrz strona 2). Dostosować poziom twardości wody, patrz tabela strona 2
Zmywarka nie włącza się lub nie reaguje na polecenia.	Urządzenie nie zostało prawidłowo podłączone do zasilania. Przerwa w dopływie prądu. Drzwiczki zmywarki nie są zamknięte. Cykl został przerwany otwarciem drzwiczek przez > 4 sekundy. Nie reaguje na polecenia.	Włożyć wtyczkę przewodu zasilającego do gniazdka. Ze względów bezpieczeństwa, zmywarka nie wznowi automatycznie pracy po ponownym włączeniu prądu. Otworzyć drzwiczki zmywarki, nacisnąć przycisk START/Pauza i zamknąć drzwiczki w przeciągu 4 sekund. Energicznie popchnąć drzwiczki tak, aby było słychać że zostały "zatrzęsnięte". Nacisnąć przycisk START/Pauza i zamknąć drzwiczki w ciągu 4 sekund. Wyłączyć urządzenie, naciskając przycisk WŁ./WYŁ., po ok. jednej minucie włączyć je ponownie i jeszcze raz uruchomić program. Jeśli problem nadal występuje, należy odłączyć urządzenie na 1 minutę, a następnie podłączyć je ponownie.
Zmywarka nie odpompowuje wody.	Cykl zmywania jeszcze nie został zakończony. Wąż spustowy jest zagięty. Rura odpływu zlewu jest zatkana. Filtr jest zatkany resztkami potraw	Poczekać, aż skończy się cykl zmywania. Sprawdzić, czy wąż odpływowy nie jest zagięty (patrz INSTRUKCJA INSTALACJI). Oczyszczyć rurę odpływu w zlewie. Oczyszczyć filtr (patrz CZYSZCZENIE ZESPOŁU FILTRA).
Zmywarka pracuje zbyt głośno.	Naczynia uderzają o siebie. Wytwarzana jest nadmierna ilość piany.	Prawidłowo ułożyć naczynia (patrz ŁADOWANIE KOSZY). Porcja detergentu nie została poprawnie odmierzona, albo detergent nie nadaje się do stosowania w zmywarkach (patrz NAPEŁNIANIE DOZOWNIKA DETERGENTU). Zrestartować bieżący cykl wyłączając zmywarkę, następnie włączyć ponownie, wybrać nowy program, nacisnąć przycisk START/Pauza i zamknąć drzwiczki w przeciągu 4 sekund. Nie dodawać żadnego detergentu.
Naczynia nie są czyste.	Naczynia nie zostały prawidłowo rozmieszczone. Ramiona natryskowe nie mogą obracać się swobodnie, zaczepiają się o naczynia. Cykl zmywania jest zbyt delikatny. Wytwarzana jest nadmierna ilość piany. Pokrywka przegrodki na płyn nablyszczający nie została prawidłowo zamknięta. Filtr jest brudny lub zatkany. Nie ma soli.	Prawidłowo ułożyć naczynia (patrz ŁADOWANIE KOSZY). Prawidłowo ułożyć naczynia (patrz ŁADOWANIE KOSZY). Wybierz odpowiedni cykl zmywania (patrz TABELA PROGRAMÓW). Porcja detergentu nie została poprawnie odmierzona, albo detergent nie nadaje się do stosowania w zmywarkach (patrz NAPEŁNIANIE DOZOWNIKA DETERGENTU). Upewnić się, czy dozownik płynu nablyszczającego jest zamknięty. Oczyszczyć zespół filtra (patrz UTRZYMANIE I KONSERWACJA). Napełnić zbiornik soli (patrz NAPEŁNIANIE ZBIORNIKA SOLI).
Zmywarka nie napełnia się wodą. Wszystkie diody LED szybko migają	Brak wody w sieci wodociągowej lub zawór jest zamknięty.. Wąż dopływowy jest zagięty. Sitko w węży dopływowy wody jest zapchane; niezbędne jest jego oczyszczenie.	Sprawdzić, czy woda dopływa z sieci wodociągowej lub czy zawór jest otwarty. Sprawdzić czy wąż dopływowy nie jest zagięty (zobacz INSTALACJA), następnie ponownie zaprogramować i włączyć zmywarkę. Po wykonaniu sprawdzenia i oczyszczenia należy wyłączyć i włączyć zmywarkę, i rozpocząć nowy program.
Zmywarka kończy cykl przedwcześnie.	Wąż dopływowy ustawiony jest zbyt nisko lub zasyssa do kanalizacji domowej. Powietrze w dopływie wody.	Sprawdzić czy końcówka węża dopływowego umieszczona jest na prawidłowej wysokości (zobacz INSTALACJA). Należy sprawdzić pod kątem zasysania do kanalizacji domowej, w razie potrzeby zainstalować zawór wpustowy. Sprawdzić układ doprowadzania wody pod kątem wycieków lub innych problemów mogących wiązać się z przepuszczaniem powietrza.

Zasady, standardową dokumentację, informacje na temat zamawiania części zamiennych oraz dodatkowe informacje o produkcie można znaleźć:



- Odwiedzając naszą stronę internetową docs.indesit.eu i parts-selfservice.whirlpool.com
- Używając kodu QR
- Ewentualnie można **skontaktować się z naszą obsługą posprzedażową** (patrz numer telefonu w książeczce gwarancyjnej). Kontaktując się z naszą obsługą posprzedażową, należy podać kody zamieszczone na tabliczce identyfikacyjnej produktu.

Informacje o modelu można uzyskać przy pomocy kodu QR podanego na etykiecie energetycznej. Etykieta zawiera również identyfikator modelu, którego można użyć do znalezienia informacji na portalu rejestru pod adresem <https://eprel.ec.europa.eu>



400011652613B

01/2023 ks - Xerox Fabriano



GUIA DE REFERÊNCIA DE RESOLUÇÃO DE PROBLEMAS



OBRIGADO POR TER ADQUIRIDO UM PRODUTO INDESIT.
Para beneficiar de uma assistência mais completa, registre o seu aparelho em: www.indesit.com/register

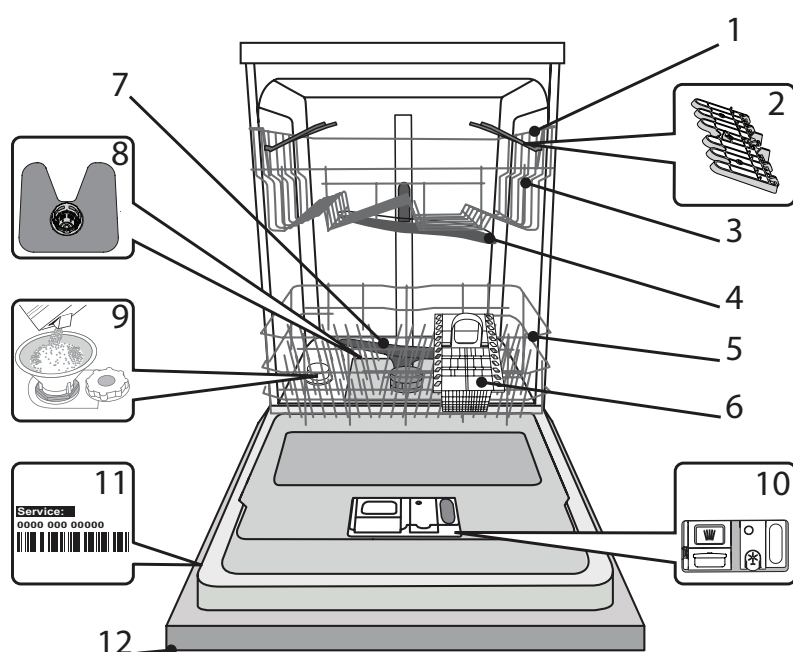


Pode transferir as instruções de Segurança e o Manual do Utilizador, visitando o nosso website docs.indesit.eu e seguindo as instruções no verso deste livro.

Leia as Instruções de Segurança com atenção antes de usar o aparelho.

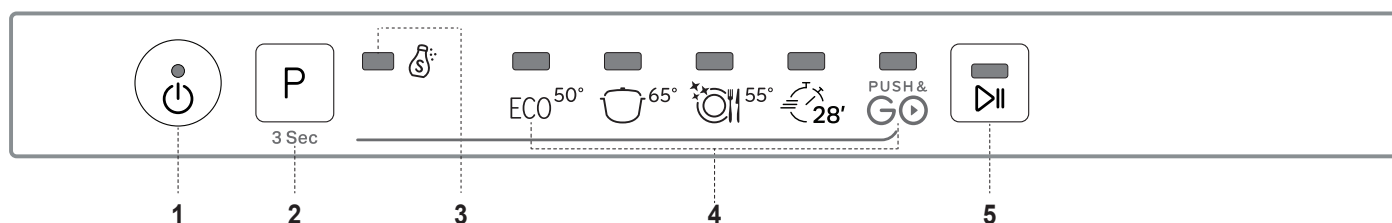
DESCRIÇÃO DO PRODUTO

APARELHO



1. Cesto superior
2. Abas dobráveis
3. Ajuste da altura do cesto superior
4. Braço aspersor superior
5. Cesto inferior
6. Cesto para os talheres
7. Braço aspersor inferior
8. Conjunto de filtros
9. Depósito de sal
10. Distribuidores de detergente e abrillantador
11. Chapa de características
12. Painel de comandos

PAINEL DE COMANDOS



1. Botão Ligar-Desligar/Reinicie com indicador luminoso
2. Botão para seleção de programas / Push&GO
3. Luz indicadora de reabastecimento do sal
4. Indicadores luminosos de programas
5. Botão Início/Pausa com indicador luminoso

PRIMEIRA UTILIZAÇÃO SAL, ABRILHANTADOR E DETERGENTE


CONSELHOS PARA A PRIMEIRA UTILIZAÇÃO

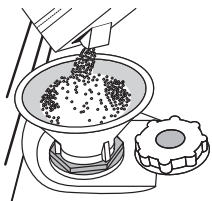
Após a instalação, retire os elementos de fixação dos cestos e os elementos de retenção elásticos do cesto superior.

ENCHER O DEPÓSITO DO SAL

A utilização de sal evita a formação de calcário na loiça e nos componentes funcionais da máquina.

- É obrigatório que **O DEPÓSITO DE SAL NUNCA ESTEJA VAZIO.**
- É importante definir a dureza da água.

O depósito de sal situa-se na parte inferior da máquina de lavar loiça (ver *DESCRIÇÃO DOS PRODUTO*) e tem ser enchido quando o **indicador luminoso REABASTECIMENTO DO SAL**  estiver aceso no painel de comandos.



1. Retire o cesto inferior e desaperte a tampa do depósito (no sentido contrário ao dos ponteiros do relógio).
2. **Apenas na primeira vez em que o fizer: encha o depósito de sal com água.**
3. Posicione o funil (ver a figura) e encha o depósito de sal até ao rebordo (aprox. 1 kg); é normal que saia alguma água.
4. Retire o funil e limpe qualquer resíduo de sal da abertura.

Certifique-se de que a tampa está bem apertada para que não entre detergente no depósito durante o programa de lavagem (tal pode danificar o amaciador de água de modo irreparável).

Se for necessário adicionar sal, é obrigatório executar o procedimento antes do início do ciclo de lavagem para evitar corrosão.

DEFINIR A DUREZA DA ÁGUA

Para que o amaciador de água funcione corretamente, é essencial que a definição de dureza da água tenha por base a dureza da água existente em sua casa. Pode obter esta informação consultando a empresa de abastecimento de água local.

A definição de fábrica corresponde a uma dureza da água média (3).

- Ligue a máquina premindo o botão **LIGAR/DESLIGAR**.
- Desligue a máquina premindo o botão **LIGAR/DESLIGAR**.
- Mantenha premido o botão **P** durante 5 segundos, até ouvir um sinal sonoro.
- Ligue a máquina premindo o botão **LIGAR/DESLIGAR**.
- O número do nível selecionado atualmente e o indicador luminoso do sal ficam intermitentes.
- Prima o botão **P** para selecionar o nível de dureza da água pretendido (VER *ATABELA DE DUREZA DA ÁGUA*)

Tabela de dureza da água				
Nível		°dH	°fH	°Clark
		Graus Alemães	Graus Franceses	Graus ingleses
1	Macia	0 - 6	0 - 10	0 - 7
2	Média	7 - 11	11 - 20	8 - 14
3	Média	12 - 16	21 - 29	15 - 20
4	Dura	17 - 34	30 - 60	21 - 42
5	Muito dura	35 - 50	61 - 90	43 - 62

- Desligue a máquina premindo o botão **LIGAR/DESLIGAR**.

A definição está concluída!

Assim que este procedimento estiver concluído, execute um programa sem carregar qualquer loiça na máquina.

Utilize apenas sal especificamente concebido para máquinas de lavar loiça.

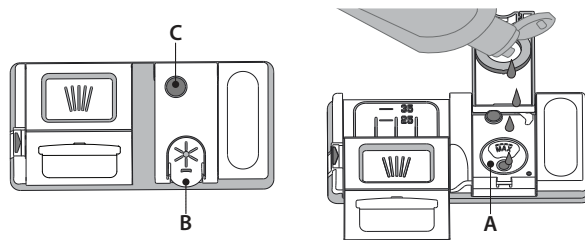
Depois de colocar o sal na máquina, o indicador luminoso REABASTECIMENTO DO SAL apaga-se.

Se o depósito de sal não for enchido, o amaciador de água e o elemento de aquecimento podem ser danificados em resultado da acumulação de calcário.

A utilização de sal é recomendada com qualquer tipo de detergente para a máquina de lavar loiça.

ENCHER O DISTRIBUIDOR DE ABRILHANTADOR

O abrillantador facilita a SECAGEM da loiça. O distribuidor de abrillantador **A** deve ser enchido quando o indicador ótico escuro na tampa do distribuidor **C** se tornar transparente.



1. Abra o distribuidor **B** pressionando e puxando a patilha da tampa.
2. Encha cuidadosamente com abrillantador até ao entalhe de referência máximo (110 ml) da área de enchimento, evitando derramá-lo. Se isso acontecer, limpe imediatamente com um pano seco.
3. Pressione a tampa para baixo até ouvir um clique de fecho.

NUNCA deite o abrillantador diretamente na cuba da máquina.

AJUSTAR A DOSAGEM DE ABRILHANTADOR

Se não estiver completamente satisfeito(a) com os resultados da secagem, pode ajustar a quantidade de abrillantador utilizado.

- Ligue a máquina de lavar loiça com o botão **LIGAR/DESLIGAR**.
- Desligue-a com o botão **LIGAR/DESLIGAR**.
- Prima o botão **P** três vezes; será audível um sinal sonoro.
- Ligue-a com o botão **LIGAR/DESLIGAR**.
- O indicador luminoso do programa do nível atualmente definido fica intermitente.
- Prima o botão **P** para selecionar a quantidade de abrillantador a distribuir.
- Desligue-a com o botão **LIGAR/DESLIGAR**

A definição está concluída!

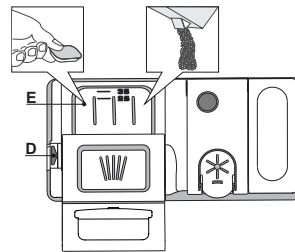
Se o nível de abrillantador estiver definido para 1 (ECO), não será distribuído abrillantador.

É possível definir um máximo de 5 níveis, de acordo com o modelo da máquina de lavar loiça. As definições de fábrica são específicas deste modelo, pelo que deverá seguir as instruções acima para utilizar corretamente a sua máquina de lavar loiça

- Se a loiça possuir riscas azuladas, defina um nível baixo (2-3).
- Se existirem gotas de água ou marcas de calcário na loiça, defina um número alto (4-5).

ENCHER O DISTRIBUIDOR DE DETERGENTE

Para abrir o distribuidor de detergente, utilize o dispositivo de abertura D. Coloque o detergente apenas no distribuidor seco E. Coloque a quantidade de detergente para pré-lavagem diretamente na cuba.




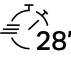



1. Para dosar o detergente, consulte as informações anteriormente mencionadas para adicionar a quantidade correta. No interior do distribuidor **E**, existem indicações que ajudam a dosar o detergente.
2. Elimine os resíduos de detergente dos rebordos do distribuidor e feche a tampa até fazer clique.
3. Feche a tampa do distribuidor de detergente puxando-a para cima até que o dispositivo de fecho esteja fixo no devido local.

O distribuidor de detergente abre-se automaticamente no momento certo, de acordo com o programa.

A utilização de detergentes inapropriados para máquinas de lavar loiça poderá causar avarias ou danos no aparelho.

TABELA DE PROGRAMAS

Programa	Fase de secagem	Duração do programa de lavagem (h:min) ^{*)}	Consumo de água (litros/ciclo)	Consumo de energia (kWh/ciclo)
1 Eco  50°	✓	3:35	9,5	0,95
2 Intensivo  65°	✓	2:40	18,0	1,60
3 Mista  55°	✓	2:15	16,0	1,40
4 Fast&Clean 28'  50°	-	0:28	9,0	0,50
5 Push&GO  50°	✓	1:30	11,5	1,30

Os dados do programa ECO são avaliados em condições laboratoriais de acordo com a norma europeia EN 60436:2020. Nota para os Laboratórios de Ensaio: para informações sobre as condições do ensaio comparativo EN, solicitar ao endereço: dw_test_support@whirlpool.com
Não é necessário efetuar qualquer tipo de pré-tratamento da loiça antes de iniciar os programas.

*) Os valores apresentados para todos os programas, à exceção do programa Eco, são meramente indicativos. O tempo real poderá variar dependendo de vários fatores, tais como a temperatura e a pressão da água de entrada, a temperatura ambiente, a quantidade de detergente, a quantidade e o tipo de carga, o equilíbrio da carga, as opções adicionais selecionadas e a calibragem do sensor. A calibragem do sensor pode aumentar a duração do programa até 20 min.

DESCRIÇÃO DOS PROGRAMAS

Instruções sobre a seleção do ciclo de lavagem.

1 ECO

O programa Eco é ideal para lavar loiça com um nível de sujidade normal, sendo o programa mais eficiente para o efeito em termos da sua utilização combinada de energia e de água e estando em conformidade com a legislação de conceção ecológica da UE.

2 INTENSIVO

Programa aconselhado para loiça muito suja, sendo particularmente indicado para tachos e panelas (não deve ser utilizado para objetos frágeis)

3 MISTA

Sujidade mista. Para loiça com um grau de sujidade normal, com restos de comida secos.

4 FAST&CLEAN 28'

Programa a ser utilizado para meia carga de loiça com sujidade ligeira, sem restos de comida secos. Não tem uma fase de secagem

5 PUSH&GO

Ciclos de lavagem e secagem diários que garantem um excelente desempenho de limpeza num curto espaço de tempo sem necessidade de qualquer pré-tratamento da loiça.

Notas:

Note que o ciclo de lavagem *Fast&Clean 28'* destina-se à lavagem de loiça com sujidade ligeira.

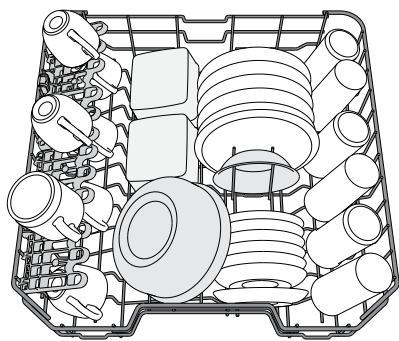
PUSH&GO

O botão Push&GO é um botão facilmente distinguível que lhe permite acesso direto ao programa Push&GO, um ciclo de lavagem e secagem que garante um excelente desempenho de limpeza num curto espaço de tempo. Não tem de se preocupar com a seleção dos programas, pois o ciclo Push&GO toma essa decisão por si.

Para selecionar o programa Push&GO, ligue o aparelho, prima apenas o botão **P** durante 3 segundos (as luzes indicadoras correspondentes acendem-se) e feche a porta no espaço de 4 segundos.

CARREGAR OS CESTOS

CESTO SUPERIOR



(exemplo de carga no cesto superior)

Carregue neste cesto a louça frágil e leve: copos, xícaras, pires, tigelas.

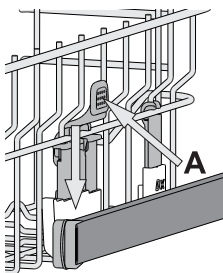
AJUSTAR A ALTURA DO CESTO SUPERIOR

É possível ajustar a altura do cesto superior: utilize uma posição mais elevada para colocar louça mais volumosa no cesto inferior e uma posição mais baixa para aproveitar ao máximo os suportes rebatíveis, criando mais espaço superior e evitando o choque com os objetos colocados no cesto inferior.

O cesto superior está equipado com um **ajuste de altura do cesto superior** (consulte a figura); sem pressionar as alavancas, eleve o cesto segurando-o pelas partes laterais, logo que o cesto fique estável na posição superior.

Para voltar à posição inferior, pressione as alavancas **A** existentes nas partes laterais do cesto e desloque-o para baixo.

Recomendamos vivamente que não ajuste a altura do cesto quando este está carregado. NUNCA eleve ou baixe o cesto apenas de um lado.



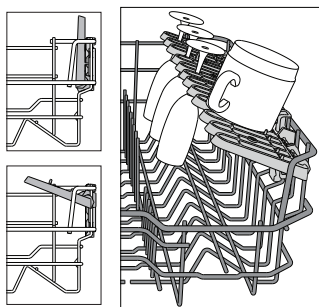
ABAS DOBRÁVEIS COM POSIÇÃO AJUSTÁVEL

As abas laterais podem ser dobradas ou desdobradas para otimizar a disposição da louça dentro do cesto.

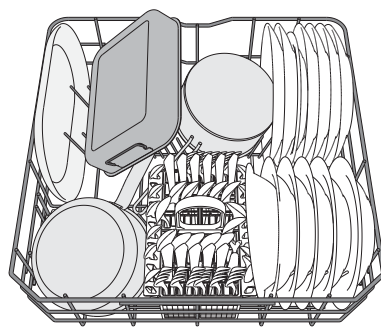
Os copos de vinho podem ser posicionados em segurança nas abas dobráveis, introduzindo o pé de cada copo nas ranhuras correspondentes.

Conforme o modelo:

- para desdobrar as abas, é necessário deslizá-las para cima e rodá-las ou soltá-las dos encaixes e puxá-las para baixo.
- para dobrar as abas, é necessário rodá-las e deslizá-las para baixo ou puxá-las para cima e encaixá-las nos respectivos encaixes.



CESTO INFERIOR

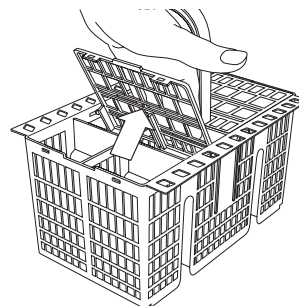


(exemplo de carga para o cesto inferior)

Para tachos, tampas, pratos, saladeiras, talheres, etc.. Os pratos e as tampas grandes devem ser colocados dos lados, a fim de evitar interferências com o braço aspersor.

CESTO PARA OS TALHERES

O cesto equipado com duas grelhas superiores para facilitar a disposição dos talheres. Só pode ser posicionado na parte dianteira do cesto inferior.



As facas e os outros utensílios afiados têm de ser colocados no cesto dos talheres, com as extremidades voltadas para baixo ou horizontalmente nos compartimentos rebatíveis do cesto superior.

UTILIZAÇÃO DIÁRIA

1. VERIFICAR A LIGAÇÃO AO ABASTECIMENTO DE ÁGUA

Certifique-se de que a máquina de lavar loiça está ligada à rede de abastecimento de água e que a torneira está aberta.

2. LIGAR A MÁQUINA DE LAVAR LOIÇA

Abra a porta e prima o botão **LIGAR/DESLIGAR**.

3. CARREGAR OS CESTOS

(consultar "COMO COLOCAR A LOIÇA NOS CESTOS")

4. ENCHER O DISTRIBUIDOR DE DETERGENTE

5. SELECIONAR UM PROGRAMA E PERSONALIZAR O CICLO

Selecione o programa mais adequado consoante o tipo de loiça e o nível de sujidade (ver *DESCRIÇÃO DOS PROGRAMAS*), premindo o botão **P**.

Selecione as opções pretendidas (ver *OPÇÕES E FUNÇÕES*).

6. INICIAR

Inicie o ciclo de lavagem premindo o botão **INÍCIO/PAUSA** (o LED acende-se) e feche a porta no espaço de 4 segundos. Quando o programa começar, é emitido um único sinal sonoro (beep). Se a porta da máquina não for fechada no espaço de 4 segundos, é emitido um sinal sonoro de aviso. Neste caso, abra a porta, prima o botão **INÍCIO/PAUSA** e feche a porta novamente no espaço de 4 segundos.

7. FINAL DO CICLO DE LAVAGEM

O fim do ciclo de lavagem é indicado por sinais sonoros e ficando também intermitente o indicador luminoso do programa selecionado. Abra a porta e desligue a máquina premindo o botão **LIGAR/DESLIGAR**. Aguarde alguns minutos antes de retirar os talheres, a fim de evitar queimaduras. Descarregue os cestos, começando pelo inferior.

A máquina desliga-se automaticamente durante períodos alargados de inatividade, a fim de reduzir o consumo de energia.

Se a loiça estiver apenas ligeiramente suja ou tiver sido passada por água antes de ser colocada na máquina de lavar loiça, diminua a quantidade de detergente utilizado em conformidade.

ALTERAR UM PROGRAMA EM CURSO

Se tiver sido selecionado um programa incorreto, é possível mudá-lo, desde que o mesmo tenha começado há pouco tempo: abra a porta, prima sem soltar o botão **LIGAR/DESLIGAR** e a máquina desliga-se. Volte a ligar a máquina utilizando o botão **LIGAR/DESLIGAR** e selecione um novo ciclo de lavagem e as opções pretendidas; Inicie o ciclo de lavagem premindo o botão **INÍCIO/PAUSA** e feche a porta no espaço de 4 segundos.

ADICIONAR MAIS LOIÇA

Sem desligar a máquina, abra a porta (o LED do botão **INÍCIO/PAUSA** começa a piscar), **tendo cuidado com o vapor QUENTE**, e coloque a loiça adicional no interior da máquina de lavar loiça. Prima o botão **INÍCIO/PAUSA** e feche no espaço de 4 segundos para retomar o ciclo no ponto em que foi interrompido.

INTERRUPÇÕES ACIDENTAIS

Se a porta for aberta durante o ciclo de lavagem ou se houver um corte de energia, o ciclo para. Prima o botão **INÍCIO/PAUSA** e feche a no espaço de 4 segundos para retomar o ciclo no ponto em que foi interrompido.

CONSELHOS E SUGESTÕES

CONSELHOS

Antes de carregar os cestos, elimine todos os restos de comida da loiça e esvazie os copos. **Não é necessário passar previamente a loiça por água corrente.** Disponha a loiça de modo a que fique firme e não vire; disponha os recipientes com as aberturas voltadas para baixo e os elementos côncavos/convexos na diagonal, a fim de permitir que a água chegue a toda a superfície e flua facilmente. **Aviso:** as tampas, as pegas, os tabuleiros e as frigideiras não impedem a rotação dos braços aspersores. Coloque os objetos pequenos no cesto dos talheres. A loiça e os tachos muito sujos devem ser colocados no cesto inferior, uma vez que nesta área a aspersão de água é mais intensa e permite obter melhores resultados de lavagem. Depois de carregar a máquina, certifique-se de que os braços aspersores conseguem rodar livremente.

LOIÇA INADEQUADA

- Loiça e talheres de madeira.
- Copos frágeis com decoração, artesanato artístico ou loiça antiga. As decorações não são resistentes.
- Peças de material sintético que não resistam a temperaturas altas.
- Loiça de cobre e estanho.
- Loiça suja com cinza, cera, lubrificante ou tinta.

As cores das decorações de peças em vidro e as peças de alumínio/prata podem sofrer alterações e desbotar durante o processo de lavagem. Alguns tipos de vidro (por ex., cristal) podem ficar opacos após alguns ciclos de lavagem.

DANOS EM VIDRO E LOIÇA

- Coloque apenas vidros e porcelana que tenham garantia do fabricante como sendo adequados para lavagem na máquina de lavar loiça.
- Utilize um detergente suave adequado para loiça
- Retire os vidros e a loiça da máquina de lavar loiça assim que o ciclo de lavagem termine.

SUGESTÕES PARA POUPAR ENERGIA

- Se a máquina de lavar loiça for utilizada de acordo com as instruções do fabricante, **um ciclo de lavagem de loiça consome habitualmente MENOS ENERGIA e água do que uma lavagem manual da loiça.**
- Para maximizar a eficiência da máquina de lavar loiça, recomenda-se que inicie o ciclo de lavagem assim que a máquina esteja totalmente carregada com loiça. Ao carregar a máquina de lavar loiça até à capacidade máxima indicada pelo fabricante irá contribuir para poupar energia e água. Poderá encontrar informações sobre o carregamento correto da loiça na secção "CARREGAR OS CESTOS". Caso a máquina de lavar loiça seja carregada apenas parcialmente, recomenda-se que utilize as opções de lavagem dedicadas, se disponíveis (Meia carga/ Zone Wash/ Multizone), carregando loiça apenas nos cestos selecionados para o efeito. Carregar ou sobrecarregar incorretamente a máquina de lavar loiça pode aumentar o uso de recursos (como água, energia e tempo, além de aumentar o nível de ruído), reduzindo o desempenho de limpeza e de secagem.
- A pré-lavagem manual de loiça causa um aumento do consumo de água e de energia, não sendo, portanto, recomendada.

HIGIENIZAÇÃO

Para evitar odores e acumulação de sedimentos na máquina de lavar loiça, execute um programa de temperatura elevada pelo menos uma vez por mês. Utilize uma colher de chá de detergente e coloque a máquina a funcionar sem carga para efetuar a limpeza do aparelho.

LIMPEZA E MANUTENÇÃO

LIMPAR O CONJUNTO DE FILTROS

Limpe regularmente o conjunto de filtros para que os filtros não fiquem entupidos e para que a água residual flua corretamente.

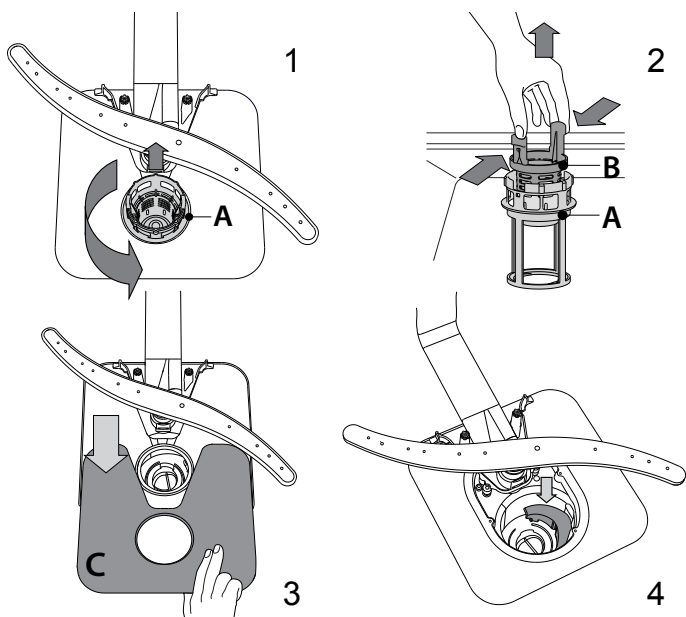
Ao utilizar a máquina de lavar loiça com filtros obstruídos ou objetos estranhos dentro do sistema de filtragem ou nos pulverizadores poderá causar o mau funcionamento da unidade, resultando numa perda de desempenho, num funcionamento ruidoso ou numa maior utilização de recursos.

O conjunto de filtros é composto por três filtros que eliminam os restos de comida da água de lavagem e fazem recircular a água: para obter os melhores resultados de lavagem é necessário limpá-los.

A máquina de lavar loiça não pode ser utilizada sem filtros ou com os filtros soltos.

Pelo menos uma vez por mês ou após cada 30 ciclos, verifique o conjunto de filtros e, se necessário, limpe-os muito bem em água corrente, utilizando uma escova não metálica e seguindo as instruções abaixo:

1. Rode o filtro cilíndrico **A** no sentido contrário ao dos ponteiros do relógio e retire-o (Fig. 1).
2. Retire a parte interna do filtro **B** exercendo uma ligeira pressão nas abas laterais (Fig. 2).
3. Faça deslizar para fora o filtro de aço inoxidável **C** (Fig. 3).
4. Caso encontre quaisquer objetos estranhos (tais como vidros e porcelana partidos, ossos de comida, sementes de frutos, etc.) remova-os cuidadosamente.
5. Inspeccione o coletor e retire quaisquer restos de comida. **NUNCA RETIRE** a proteção da bomba do ciclo de lavagem (elemento preto) (Fig. 4).



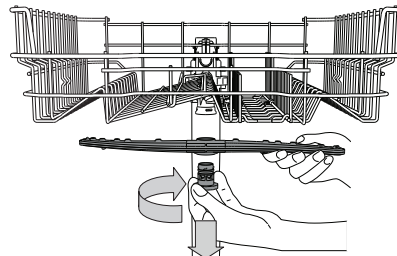
Depois de limpar os filtros, volte a colocar o conjunto de filtros e fixe-o corretamente na devida posição; isto é essencial para manter um funcionamento eficaz da máquina de lavar loiça.

LIMPAR A MANGUEIRA DE ENTRADA DE ÁGUA

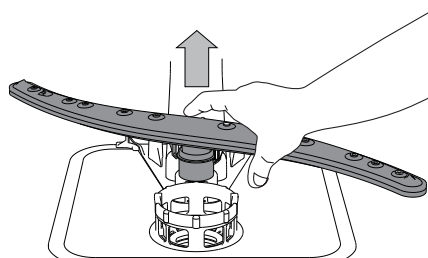
Se as mangueiras da água forem novas ou não tiverem sido utilizadas durante um longo período de tempo, deixe a água correr para garantir que estão desobstruídas e sem impurezas antes de efetuar as ligações necessárias. Se não tomar esta precaução, a entrada de água pode ficar obstruída e danificar a máquina de lavar loiça.

LIMPAR OS BRAÇOS ASPERSORES

Por vezes, os restos de comida podem acumular-se nos braços aspersores e bloquear os orifícios utilizados para pulverizar a água. Assim, recomenda-se que verifique periodicamente os braços e que os limpe com uma escova pequena não metálica.



Para retirar o braço aspersor superior, rode o anel de bloqueio de plástico no sentido dos ponteiros do relógio. O braço aspersor superior deve ser recolocado de modo a que o lado com mais orifícios fique voltado para cima.



É possível remover o braço aspersor inferior puxando-o para cima.

SISTEMA DE DEENDURECIMENTO DA ÁGUA

O descalcificador de água reduz automaticamente a dureza da água evitando, conseqüentemente, a acumulação de calcário no aquecedor, e contribuindo também para uma melhor eficiência de limpeza.

Este sistema regenera-se com sal, portanto, é necessário reabastecer o recipiente de sal sempre que este estiver vazio.


A frequência da regeneração depende da definição do nível de dureza da água - a regeneração ocorre uma vez a cada **6** ciclos Eco com uma definição de dureza da água de nível **3**.

O processo de regeneração começa no ciclo de enxaguamento final e termina na fase de secagem, antes do término do ciclo.

- Uma única regeneração consome: ~3,5 litros de água;
- Demora até 5 minutos adicionais para o ciclo;
- Consome menos de 0,005 kWh de energia.

RESOLUÇÃO DE PROBLEMAS

Caso a sua máquina de lavar loiça não funcione corretamente, verifique se consegue resolver o problema através das soluções apresentadas na lista que se segue. Para outros erros ou problemas, entre em contacto com o Serviço de Pós-venda Autorizado, cujos detalhes de contacto podem ser encontrados no livrete da garantia. As peças sobressalentes estarão disponíveis por um período de até 7 ou até 10 anos, de acordo com os requisitos específicos do Regulamento.

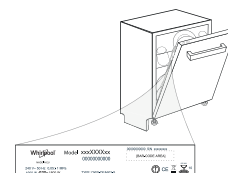
PROBLEMAS	CAUSAS POSSÍVEIS	SOLUÇÕES
 O indicador de sal está aceso	O reservatório de sal está vazio. (Após abastecer com sal o indicador poderá permanecer aceso durante vários ciclos de lavagem).	Encha o reservatório com sal (para mais informações consulte a página 2). Ajuste a dureza da água - consulte a tabela na página 2.
A máquina de lavar loiça não começa a funcionar ou não responde aos comandos.	A máquina não está ligada corretamente.	Ligue a ficha à tomada.
	Corte de energia.	Por motivos de segurança, a máquina de lavar loiça não reinicia automaticamente quando a energia é reposta. Abra a porta da máquina de lavar loiça, prima o botão INÍCIO/PAUSA e feche a porta no espaço de 4 segundos.
	A porta da máquina de lavar loiça não está fechada.	Empurre vigorosamente a porta até ouvir um “clique”.
	O ciclo é interrompido com a abertura da porta durante > 4 segundos.	Prima „START/Pause” (Iniciar/Pausa) e feche a porta no espaço de 4 segundos.
A máquina de lavar loiça não responde aos comandos.	A máquina não responde aos comandos.	Desligue a máquina premindo o botão LIGAR/DESLIGAR , volte a ligá-la passado cerca de 1 minuto e ligue-o novamente
	O ciclo de lavagem ainda não terminou.	Aguarde até que o ciclo de lavagem termine.
	O tubo de escoamento está dobrado.	Certifique-se de que o tubo de escoamento não está dobrado (<i>consulte INSTRUÇÕES DE INSTALAÇÃO</i>).
	O tubo de escoamento do lava-loiça está obstruído.	Limpe o tubo de escoamento do lava-loiça.
A máquina de lavar loiça não escoar a água.	O filtro está obstruído com restos de comida	Limpe o filtro (<i>ver LIMPAR O CONJUNTO DE FILTROS</i>).
	Os pratos estão a chocalhar entre si.	Disponha a loiça corretamente (<i>ver CARREGAR OS CESTOS</i>).
A máquina de lavar loiça faz um ruído excessivo.	Foi produzida uma quantidade excessiva de espuma.	O detergente não foi doseado corretamente ou não é adequado para utilização em máquinas de lavar loiça (<i>ver ENCHER O DISTRIBUIDOR DE DETERGENTE</i>). Reinicie o ciclo atual desligando a máquina de lavar loiça e voltando a ligá-la; selecione um novo programa, prima INÍCIO/PAUSA e feche a porta no espaço de 4 segundos. Não adicione mais detergente.
	A loiça não fica limpa.	Disponha a loiça corretamente (<i>ver CARREGAR OS CESTOS</i>).
A loiça não fica limpa.	A loiça foi disposta de forma incorreta.	Disponha a loiça corretamente (<i>ver CARREGAR OS CESTOS</i>).
	Os braços aspersores não conseguem rodar livremente, sendo impedidos pela loiça.	Disponha a loiça corretamente (<i>ver CARREGAR OS CESTOS</i>).
	O ciclo de lavagem é demasiado suave.	Selecione um ciclo de lavagem apropriado (<i>ver TABELA DE PROGRAMAS</i>).
	Foi produzida uma quantidade excessiva de espuma.	O detergente não foi doseado corretamente ou não é adequado para utilização em máquinas de lavar loiça (<i>ver ENCHER O DISTRIBUIDOR DE DETERGENTE</i>).
	A tampa do depósito de abrillantador não está bem fechada.	Certifique-se de que a tampa do distribuidor de abrillantador está fechada.
A máquina de lavar loiça não se enche de água.	O filtro está sujo ou obstruído.	Limpe o conjunto de filtros (<i>ver LIMPEZA E MANUTENÇÃO</i>).
	Não há sal.	Encha o depósito de sal (<i>ver ENCHER O DEPÓSITO DO SAL</i>).
	Não há abastecimento de água ou a torneira está fechada.	Certifique-se de que há água ou que a torneira está aberta.
Todos os LEDs estão piscando rapidamente	A mangueira de entrada está dobrada.	Certifique-se de que a mangueira de entrada não está dobrada (<i>ver INSTALAÇÃO</i>), volte a programar a máquina e reinicialize-a.
	O filtro da mangueira de entrada de água está obstruído; é necessário limpá-lo.	Depois de efetuar a verificação e a limpeza, desligue a máquina de lavar loiça, volte a ligá-la e reinicie um novo programa.
A máquina de lavar loiça termina o ciclo prematuramente.	Drene a mangueira que está posicionada demasiado em baixo ou drene para o seu sistema de esgoto doméstico.	Verifique se a extremidade da mangueira de drenagem está colocada à altura correta (<i>consulte INSTALAÇÃO</i>). Verifique se existe um sifão no sistema de esgoto doméstico, instale a válvula de admissão de ar, se necessário.
	Existe ar no abastecimento de água.	Verifique se existem fugas de água ou outros problemas que causem a entrada de ar.



As políticas da empresa, documentação padrão, encomenda de peças sobressalentes e informações adicionais sobre o produto poderão ser consultadas em:

- Visitando a nossa página web docs.indesit.eu e parts-selfservice.whirlpool.com
- Utilizando o código QR
- Em alternativa, **contacte o nosso Serviço Pós-venda** (através do número de telefone contido no livrete da garantia). Ao contactar o nosso Serviço Pós-Venda, indique os códigos fornecidos na placa de identificação do seu produto.

A informação relativa ao modelo pode ser obtida utilizando o código QR indicado na etiqueta energética. A etiqueta inclui também o identificador do modelo, que pode ser utilizado para consultar o portal de registo em <https://eprel.ec.europa.eu>.



400011652613B

01/2023 ks - Xerox Fabriano



GHID DE REFERINȚĂ PENTRU UTILIZARE ZILNICĂ



VĂ MULȚUMIM CĂ AȚI ACHIZIȚIONAT UN PRODUS **INDESIT**. Pentru a beneficia de servicii complete de asistență, vă rugăm să vă înregistrați aparatul pe: www.indesit.com/register

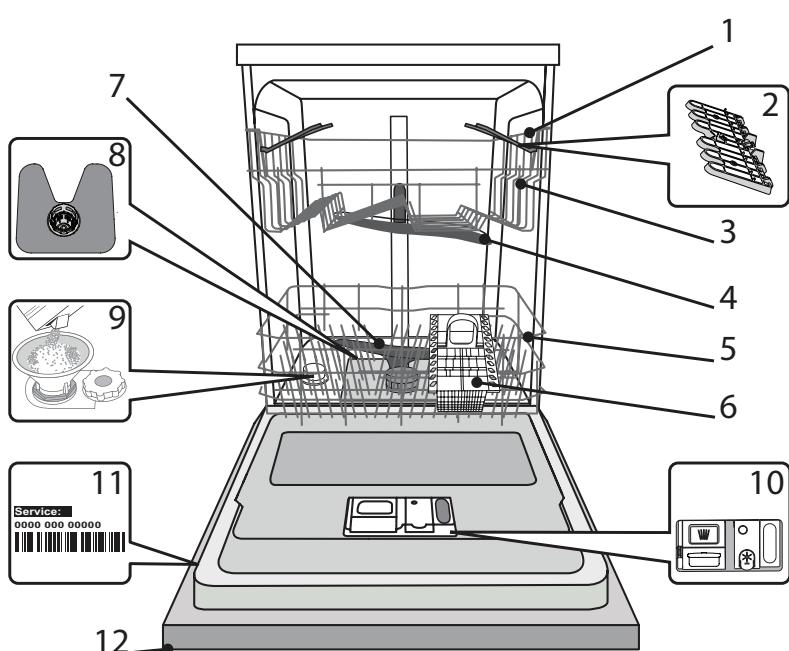


Puteți descărca Instrucțiunile privind siguranța și Manualul de utilizare, vizitând site-ul nostru docs.indesit.eu și urmând instrucțiunile de pe spatele acestei broșuri.

Înainte de a utiliza aparatul, citiți cu atenție Instrucțiunile de siguranță.

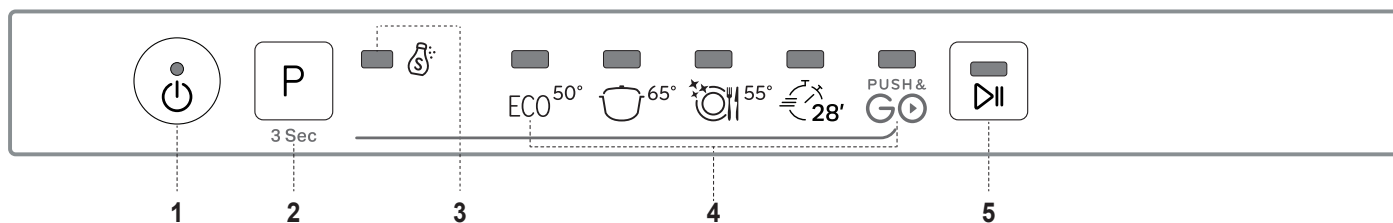
DESCRIEREA PRODUSULUI

APARATUL



1. Coșul superior
2. Clapete rabatabile
3. Mecanism de reglare a înălțimii raftului superior
4. Brațul de pulverizare superior
5. Coșul inferior
6. Coșul pentru tacâmuri
7. Brațul de pulverizare inferior
8. Ansamblu de filtre
9. Compartimentul pentru săruri
10. Dozatoare de detergent și agent de clătire
11. Plăcuța cu datele tehnice
12. Panoul de comandă

PANOUL DE COMANDĂ



1. Buton Pornire/Oprire/Resetare cu indicator luminos
2. Butonul pentru selectarea programelor / Push&GO
3. Indicator luminos de nivel al sărurilor
4. indicatoare luminoase de programe
5. Buton PORNIRE/Pauză cu indicator luminos

PRIMA UTILIZARE SĂRURI, AGENT DE CLĂTIRE ȘI DETERGENT

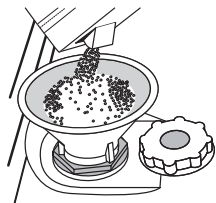
RECOMANDĂRI PRIVIND PRIMA UTILIZARE

După instalare, demontați opritoarele rafturilor și elementele elastice de fixare a raftului superior.

UMPLEREA COMPARTIMENTULUI PENTRU SĂRURI

Utilizarea sărurilor previne formarea DEPUNERILOR DE CALCAR pe vase și pe componentele funcționale ale mașinii.

- Este obligatoriu ca **COMPARTIMENTUL PENTRU SĂRURI SĂ NU FIE NICIODATĂ GOL.**
 - Este important să setați duritatea apei.
- Compartimentul pentru săruri se află în partea inferioară a mașinii de spălat vase (*consultați DESCRIEREA PRODUSULUI*) și trebuie să fie umplut când **indicatorul luminos de NIVEL AL SĂRURILOR**  de pe panoul de comandă este aprins.



1. Demontați raftul inferior și desfiletați capacul compartimentului (în sens antiorar).
2. **Numai la prima operațiune de acest fel: umpleți compartimentul pentru săruri cu apă.**
3. Poziționați pâlnia (*consultați figura*) și umpleți compartimentul pentru săruri până la margine (aproximativ 1 kg); este perfect normal să curgă puțină apă în afară.
4. Scoateți pâlnia și ștergeți resturile de săruri de pe deschidere.

Asigurați-vă că este înfiletat bine capacul, astfel încât să nu intre detergent în compartiment în timpul programului de spălare (acest lucru poate avea avaria iremediabil instalația de dedurizare a apei).

Oricând trebuie să adăugați săruri, este obligatoriu să finalizați procedura înainte de a începe ciclul de spălare pentru a evita coroziunea.

SETAREA DURITĂȚII APEI

Pentru a permite instalației de dedurizare a apei să funcționeze perfect, este esențial ca setarea durității apei să se bazeze pe nivelul de duritate a apei din locuința dumneavoastră. Aceste informații pot fi obținute de la furnizorul local de apă.

Fabricantul setează valoarea implicită pentru duritatea apei.

- Porniți aparatul apăsând pe butonul **PORNIRE/OPRIRE.**
- Opriți aparatul apăsând pe butonul **PORNIRE/OPRIRE.**
- Țineți apăsat butonul **P** timp de 5 secunde, până când auziți un semnal sonor.
- Porniți aparatul apăsând pe butonul **PORNIRE/OPRIRE.**
- Indicatorul luminos al programului pentru nivelul setat în mod curent clipește.
- Apăsați butonul **P** pentru a selecta nivelul de duritate dorit (*consultați TABELUL DURITĂȚII APEI*).

Tabelul durității apei			
Nivel	°dH Grade germane	°fH Grade franceze	°Clark Grade engleze
1	Moale	0 - 6	0 - 10
2	Medie	7 - 11	11 - 20
3	Normală	12 - 16	21 - 29
4	Dură	17 - 34	30 - 60
5	Foarte dură	35 - 50	61 - 90

- Opriți aparatul apăsând pe butonul **PORNIRE/OPRIRE.**

Setarea este finalizată!

După finalizarea acestei proceduri, rulați un program fără a încărca mașina.

Utilizați numai săruri concepute special pentru mașini de spălat vase.

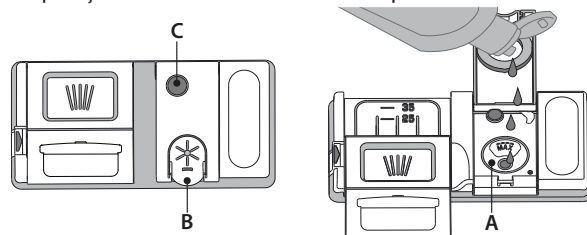
După ce ați introdus sărurile în mașină, indicatorul luminos de nivel al sărurilor se stinge.

Dacă compartimentul pentru săruri nu este umplut, este posibilă deteriorarea instalației de dedurizare a apei și a rezistenței din cauza acumulării depunerilor.

Se recomandă utilizarea sării indiferent de tipul de detergent pentru mașina de spălat vase.

UMPLEREA DOZATORULUI PENTRU AGENT DE CLĂTIRE

Agentul de clătire facilitează uscarea vaselor. Dozatorul pentru agentul de clătire **A** trebuie umplut atunci când indicatorul optic de culoare închisă de pe ușa **C** a dozatorului devine transparent.



1. Deschideți dozatorul **B** apăsând și trăgând în sus clapeta de pe capac.
2. Introduceți cu grijă agentul de clătire până la marcajul de referință maxim (110 ml) al spațiului de umplere - evitați scurgerile. În caz contrar, curățați imediat folosind o lavetă uscată.
3. Apăsați capacul în jos până când auziți un clic de închidere.

Nu turnați NICIODATĂ agentul de clătire direct în cuvă.

REGLAREA DOZEI DE AGENT DE CLĂTIRE

Dacă nu sunteți pe deplin mulțumit de rezultatele de uscare, puteți regla cantitatea de agent de clătire utilizat.

- Porniți mașina de spălat vase folosind butonul **PORNIRE/OPRIRE.**
- Opriți-o folosind butonul **PORNIRE/OPRIRE.**
- Apăsați pe butonul **P** de trei ori - se va auzi un semnal sonor.
- Porniți mașina folosind butonul **PORNIRE/OPRIRE.**
- Indicatorul luminos al programului pentru nivelul setat în mod curent clipește.
- Apăsați pe butonul **P** pentru a selecta cantitatea de agent de clătire care trebuie alimentată.
- Opriți mașina folosind butonul **PORNIRE/OPRIRE.**

Setarea este finalizată!

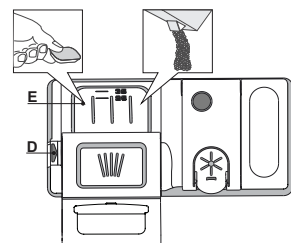
Dacă nivelul de agent de clătire este setat la 1 (ECO), nu se va alimenta cu agent de clătire.

Pot fi setate maxim 5 niveluri în conformitate cu modelul de mașină de spălat vase. Setarea din fabrică este specifică modelului, vă rugăm să respectați instrucțiunile de mai sus pentru a verifica setarea adecvată pentru mașina dumneavoastră.

- Dacă observați urme albastre pe vase, setați un număr mic (2-3).
- Dacă există urme de apă sau depuneri de calcar pe vase, setați un număr mare (4-5).

UMPLEREA DOZATORULUI DE DETERGENT

Pentru a deschide dozatorul de detergent, folosiți dispozitivul de deschidere D. Introduceți detergent numai în compartimentul uscat E. Introduceți cantitatea de detergent pentru prespălare direct în cuvă.



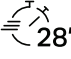



1. Atunci când măsurați cantitatea de detergent, consultați informațiile menționate anterior pentru a adăuga cantitatea corespunzătoare. În interiorul dozatorului **E** există indicații care vă pot ajuta la dozarea detergentului.
2. Îndepărtați resturile de detergent de pe marginile dozatorului și închideți sonor capacul.
3. Închideți capacul dozatorului de detergent trăgând în sus până când dispozitivul de închidere este fixat în poziție.

Dozatorul de detergent se deschide automat la momentul potrivit, în conformitate cu programul.

Utilizarea unui detergent care nu este conceput pentru mașinile de spălat vase poate provoca defecțiuni sau deteriorarea mașinii.

TABEL CU PROGRAME

Program	Durate de uscare	Durata programului de spălare (h:min) ^{*)}	Consum de apă (litri/ciclu)	Consum de energie (kWh/ciclu)	
1 Eco	ECO 50°	✓	3:35	9,5	0,95
2 Intensiv	 65°	✓	2:40	18,0	1,60
3 Amestecate	 55°	✓	2:15	16,0	1,40
4 Fast&Clean 28'	 50°	-	0:28	9,0	0,50
5 Push&GO	 50°	✓	1:30	11,5	1,30

Datele programului ECO sunt stabilite în condiții de laborator, în conformitate cu standardul european EN 60436:2020.

Notă pentru laboratoarele de testări: pentru informații privind condițiile testului comparativ EN, trimiteți o solicitare la adresa:

dw_test_support@whirlpool.com

Nu este necesară tratarea în prealabil a vaselor înaintea oricăruia dintre aceste programe.

*) Valorile date pentru alte programe diferite de programul Eco sunt doar orientative. Durata actuală poate varia în funcție de o multitudine de factori, cum ar fi temperatura și presiunea apei la intrare, temperatura încăperii, cantitatea de detergent, dimensiunea și tipul încărcăturii, distribuția încărcăturii, opțiunile suplimentare selectate și calibrarea senzorului. Calibrarea senzorului poate mări durata programului cu până la 20 min.

DESCRIEREA PROGRAMELOR

Instrucțiuni privind selectarea ciclului de spălare.

1 ECO

Programul Eco este potrivit pentru curățarea tacâmurilor cu un grad mediu de murdărie, fiind cel mai eficient program pentru această utilizare din punct de vedere al consumului combinat de energie și apă și este utilizat pentru a evalua respectarea legislației UE de proiectare ecologică.

2 INTENSIV

Program recomandat pentru vase foarte murdare, adecvat în special pentru tigăi și cratițe (a nu se utiliza în cazul articolelor delicate).

3 AMESTECATE

Grade de murdărie mixte. Program automat pentru vase și cratițe cu grad normal de murdărie.

4 FAST&CLEAN 28'

Program utilizat pentru mașina încărcată pe jumătate cu vase cu grad redus de murdărie, fără resturi uscate de alimente. Nu are etapă de uscare.

5 PUSH&GO

Ciclu de spălare și uscare zilnică care asigură performanțe deosebite de curățare într-un timp scurt, fără a fi necesară tratarea în prealabil a vaselor.

Note:

Vă rugăm să rețineți că ciclul *Fast&Clean 28'* este destinat vaselor cu un grad redus de murdărie.

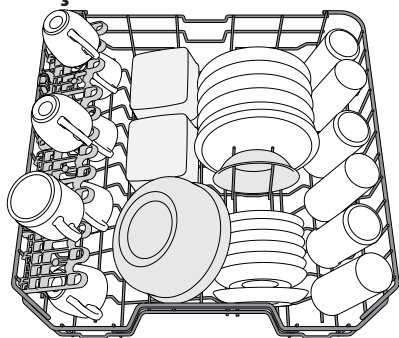
PUSH & GO

Butonul Push&GO se distinge ușor și vă permite să accesați direct programul Push&GO, un ciclu de spălare și uscare care asigură performanțe deosebite de curățare într-un timp scurt. Nu trebuie să vă faceți griji în privința alegerii tipului de program, ciclul Push&GO va face acest lucru pentru dumneavoastră.

Pentru a selecta programul Push&GO, porniți mașina, apăsați doar butonul **P** timp de 3 secunde (se aprinde indicatorul corespunzător) și închideți ușa în 4 secunde.

ÎNCĂRCAREA RAFTURILOR

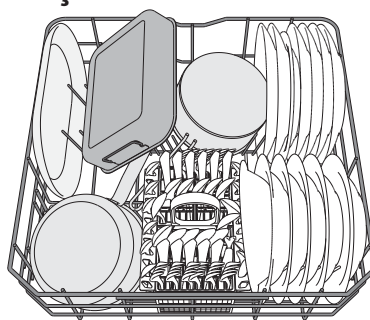
COȘUL SUPERIOR



(exemplu de încărcare pentru raftul superior)

Încărcați vasele delicate și ușoare: pahare, cești, farfurioare, boluri pentru salată puțin adânci.

COȘUL INFERIOR



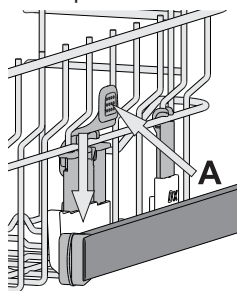
(exemplu de încărcare pentru raftul inferior)

Pentru oale, capace, farfurii, boluri pentru salată, tacâmuri etc. În mod ideal, farfuriile și capacele mari trebuie amplasate în părțile laterale, pentru a se evita interferențele cu brațul de pulverizare.

REGLAREA ÎNĂLȚIMII RAFTULUI SUPERIOR

Înălțimea raftului superior poate fi reglată: în poziție înaltă pentru a introduce vesela voluminoasă pe raftul inferior și în poziție joasă pentru a profita din plin de suporturile rabatabile, creând mai mult spațiu în partea superioară și evitând ciocnirea cu articolele de pe raftul inferior.

Raftul superior este prevăzut cu un **mecanism de reglare a înălțimii raftului superior** (consultați figura); fără a apăsa pe manete, ridicați în sus ținând pur și simplu de părțile laterale ale raftului, și fixați imediat ce raftul este stabil în poziția de sus. Pentru a reveni în poziția inferioară, apăsați pe manetele **A** din părțile laterale ale raftului și deplasați-l în jos.

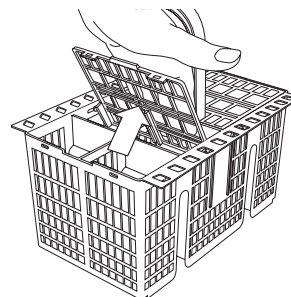


Vă recomandăm cu insistență să nu reglați înălțimea raftului atunci când acesta este încărcat.

Nu ridicați și nu coborâți NICIODATĂ raftul numai pe o singură parte.

COȘUL PENTRU TACÂMURI

Este prevăzut cu grătare de înaltă calitate pentru dispunerea optimă a tacâmurilor. Acesta trebuie poziționat numai în partea din față a raftului inferior.



Cuțitele și alte ustensile cu margini ascuțite trebuie amplasate în coșul pentru tacâmuri cu vârfurile orientate în jos sau poziționate orizontal în compartimentele rabatabile ale raftului superior.

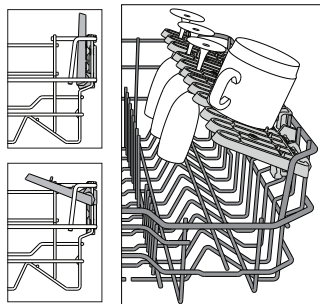
CLAPETE RABATABILE CU POZIȚIE REGLABILĂ

Clapetele rabatabile laterale pot fi pliate sau depliate pentru a optimiza aranjarea veselei pe raft.

Paharele pentru vin pot fi așezate în siguranță pe clapetele rabatabile, introducând picioarele acestora în fantele corespunzătoare.

În funcție de model:

- pentru a deplia clapetele, este necesar să le glisați în sus și să le rotiți sau să le eliberați din clemele de fixare, trăgându-le în jos.
- pentru a plia clapetele, este necesar să le rotiți și să le glisați în jos sau să le trageți în sus și să le fixați pe poziție.



UTILIZAREA ZILNICĂ

1. VERIFICAREA RACORDĂRII LA REȚEAUA DE ALIMENTARE CU APĂ

Verificați ca mașina de spălat vase să fie racordată la rețeaua de alimentare cu apă și ca robinetul să fie deschis.

2. PORNIREA MAȘINII DE SPĂLAT VASE

Deschideți ușa și apăsați pe butonul de **PORNIRE/OPRIRE**.

3. ÎNCĂRCAREA RAFTURILOR

(consultați ÎNCĂRCAREA RAFTURILOR).

4. UMLEREA DOZATORULUI DE DETERGENT

5. SELECTAREA PROGRAMULUI ȘI PERSONALIZAREA CICLULUI

Selectați cel mai adecvat program în conformitate cu tipul de veselă și gradul de murdărie al acesteia (consultați *DESCRIEREA PROGRAMELOR*) apăsând pe butonul **P**.
Selectați opțiunile dorite (consultați *OPȚIUNI ȘI FUNCȚII*).

6. PORNIREA

Porniți ciclul de spălare prin apăsarea butonului **PORNIRE/Pauză** (LED aprins) și închideți ușa în decursul a 4 secunde. La pornirea programului, se aude un singur semnal sonor. Dacă ușa nu este închisă în decursul a 4 secunde, se aude sunetul de alarmă.
În acest caz, deschideți ușa, apăsați pe butonul **PORNIRE/Pauză** și închideți ușa în decursul a 4 secunde.

7. TERMINAREA CICLULUI DE SPĂLARE

Terminarea ciclului de spălare este indicată de semnalele sonore și prin intermiterea luminii indicatoare a programului selectat. Deschideți ușa și opriți aparatul apăsând pe butonul **PORNIRE/OPRIRE**. Așteptați câteva minute înainte de a scoate vesela pentru a evita producerea arsurilor.
Descărcați rafturile, începând cu cel inferior.

Mașina se va opri automat în timpul anumitor perioade prelungite de inactivitate, pentru a reduce consumul de electricitate.

Dacă vasele prezintă un grad redus de murdărie sau dacă au fost clătite cu apă înainte de a le introduce în mașina de spălat vase, reduceți în mod corespunzător cantitatea de detergent utilizat.

MODIFICAREA UNUI PROGRAM CARE RULEAZĂ

Dacă a fost selectat un program greșit, îl puteți schimba, cu condiția ca acesta abia să fi început: deschideți ușa, apăsați și mențineți apăsat butonul de **PORNIRE/OPRIRE** și mașina se va opri. Reporniți mașina folosind butonul de **PORNIRE/OPRIRE** și selectați noul ciclu de spălare, precum și opțiunile dorite; porniți ciclul apăsând pe butonul **PORNIRE/Pauză** și închizând ușa în decursul a 4 secunde.

ADĂUGAREA DE VASE SUPLIMENTARE

Fără a opri mașina, deschideți ușa (LED-ul pentru **PORNIRE/Pauză** începe să clipească) (**atenție la aburii FIERBINȚII!**) și introduceți vasele în mașină. Apăsați pe butonul **PORNIRE/Pauză** și închideți ușa în decursul a 4 secunde; ciclul va fi reluat din punctul în care a fost întrerupt.

ÎNTRERUPERI ACCIDENTALE

Dacă ușa este deschisă în timpul ciclului de spălare sau dacă s-a produs o pană de curent, ciclul se oprește. Pentru a relua ciclul din punctul în care a fost întrerupt, apăsați pe butonul **PORNIRE/Pauză** și închideți ușa în decursul a 4 secunde.

SFATURI ȘI RECOMANDĂRI

RECOMANDĂRI

Înainte de a încărca rafturile, eliminați toate resturile de alimente de pe vase și goliți paharele. **Nu este necesar să le clătiți în prealabil sub jet de apă curentă.**

Aranjați vesela astfel încât să fie bine poziționată și să nu se răstoarne; de asemenea, aranjați recipientele cu deschiderile în jos și așezați înclinat articolele concave/convexe, pentru a permite apei să ajungă pe orice suprafață și să curgă liber.

Avertisment: capacele, mânerele, tăvile și tigăile nu trebuie să împiedice rotirea brațelor de pulverizare.

Amplasați articolele mici în coșul pentru tacâmuri. Vasele și cratițele foarte murdare trebuie așezate pe raftul inferior deoarece în această zonă jeturile de apă sunt mai puternice și se înregistrează performanțe mai mari de spălare. După încărcarea aparatului, asigurați-vă că brațele de pulverizare se pot roti liber.

VESELĂ NECORESPUNZĂTOARE PENTRU SPĂLAREA ÎN MAȘINĂ

- Veselă și tacâmuri din lemn.
- Pahare cu decorațiuni delicate, veselă artizanală și veselă antică. Aceste decorațiuni nu sunt rezistente la spălarea în mașina de spălat vase.
- Articole din material sintetic care nu sunt rezistente la temperaturi ridicate.
- Veselă din cupru și cositor.
- Veselă murdară de cenușă, ceară, unsoare sau cerneală.

Culorile decorațiunilor de pe articolele din sticlă și ale articolelor din aluminiu/argint se pot modifica și pot albi în timpul procesului de spălare. Unele tipuri de articole din sticlă (de exemplu, obiecte de cristal) pot deveni opace după câteva cicluri de spălare.

DETERIORAREA PAHARELOR ȘI A VESELEI

- Utilizați numai pahare și veselă din porțelan marcate de către producător ca fiind rezistente la spălarea în mașină.
- Utilizați un detergent delicat pentru veselă
- Scoateți paharele și vesela din mașina de spălat vase imediat ce ciclul de spălare este finalizat.

RECOMANDĂRI PRIVIND ECONOMISIREA DE ENERGIE

- Atunci când mașina de spălat vase este folosită conform instrucțiunilor producătorului, **spălarea tacâmurilor într-o mașină de spălat vase consumă de obicei MAI PUȚINĂ ENERGIE și apă decât spălarea manuală.**
- Pentru a crește la maximum eficiența mașinii de spălat vase, se recomandă **inițierea ciclului de spălare după ce mașina este încărcată complet.** Încărcarea mașinii de spălat vase de uz domestic până la capacitatea indicată de producător va contribui la economii de energie și apă. Informații despre încărcarea corectă a vaselor pot fi găsite în capitolul ÎNCĂRCAREA RAFTURILOR. În cazul încărcării parțiale, se recomandă utilizarea opțiunilor de spălare dedicate, dacă sunt disponibile (Half load/ Zone Wash/ Multizone), adăugând vase doar pe rafturile selectate. Încărcarea incorectă sau supraîncărcarea mașinii de spălat vase poate crește utilizarea resurselor (cum ar fi apa, energia și timpul, precum și nivelul de zgomot), reducând performanțele de curățare și uscare.
- Pre-clătirea manuală a vaselor duce la creșterea consumului de apă și energie și nu este recomandată.

IGIENĂ

Pentru a evita acumularea mirosurilor neplăcute și a sedimentelor în mașina de spălat vase, vă rugăm să rulați un program de temperatură ridicată cel puțin o dată pe lună. Folosiți o măsură de detergent și rulați un program fără a încărca vase pentru a curăța aparatul.

CURĂȚAREA ȘI ÎNTREȚINEREA

CURĂȚAREA ANSAMBLULUI DE FILTRE

Curățați în mod regulat ansamblul de filtre astfel încât filtrele să nu se înfunde și apa reziduală să fie evacuată în mod corespunzător.

Utilizarea mașinii de spălat vase cu filtre înfundate sau obiecte străine în interiorul sistemului de filtrare sau al brațelor de pulverizare poate provoca defecțiuni ale unității, conducând la scăderea performanței, creșterea nivelului de zgomot sau utilizarea mai multor resurse.

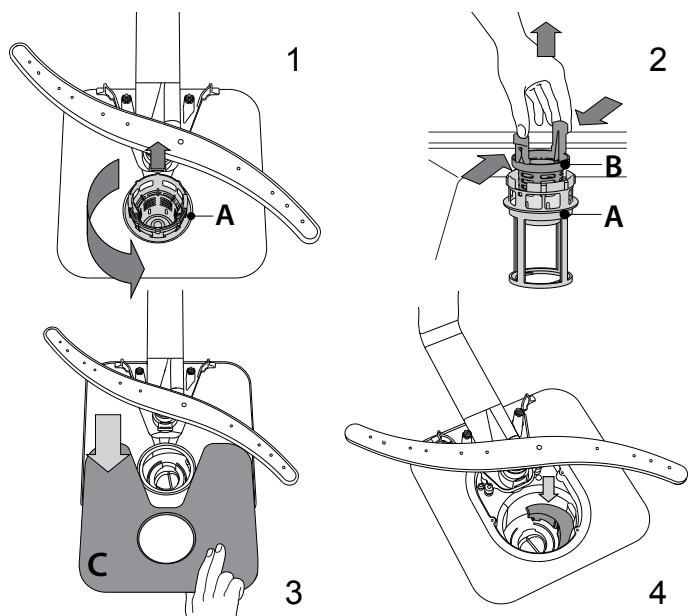
Ansamblul de filtre este alcătuit din trei filtre care îndepărtează resturile de alimente din apa de spălare, permițând apoi recircularea acesteia.

Mașina de spălat vase nu trebuie utilizată fără filtre sau dacă un filtru este desprins.

Cel puțin o dată pe lună sau după fiecare 30 de cicluri, verificați ansamblul de filtre și, dacă este necesar, curățați-l temeinic sub jet de apă curantă, folosind o perie nemetalică și respectând instrucțiunile de mai jos:

1. Rotiți filtrul cilindric **A** în sens antiorar și scoateți-l afară (Fig 1).
2. Demontați filtrul în formă de ceașcă **B** apăsând ușor pe clapetele laterale (Fig 2).
3. Culisați în afară placa din oțel inoxidabil a filtrului **C** (Fig 3).
4. În cazul în care găsiți obiecte străine (cum ar fi sticlă spartă, porțelan, oase, semințe de fructe etc.), vă rugăm să le îndepărtați cu atenție.
5. Examinați obturațiile și îndepărtați resturile de alimente.

NU DEMONTAȚI NICIODATĂ protecția pompei acționate în timpul ciclului de spălare (componentă neagră) (Fig 4).



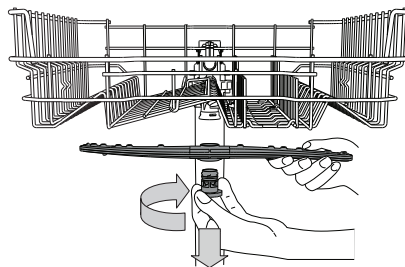
După curățarea filtrelor, montați la loc ansamblul de filtre și fixați-l în poziția corectă; acest lucru este esențial pentru menținerea funcționării eficiente a mașinii de spălat vase.

CURĂȚAREA FURTUNULUI DE ALIMENTARE CU APĂ

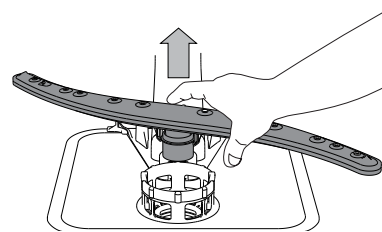
Dacă furtunurile pentru apă sunt noi sau dacă nu au fost utilizate o perioadă lungă de timp, lăsați apa să curgă pentru a vă asigura că acestea sunt curate și că nu prezintă impurități înainte de a efectua conexiunile necesare. Dacă nu luați măsurile de precauție necesare, furtunul de alimentare cu apă se poate bloca și poate deteriora mașina de spălat vase.

CURĂȚAREA BRAȚELOR DE PULVERIZARE

Ocazional, resturile de alimente se pot usca pe brațele de pulverizare și pot bloca orificiile de pulverizare a apei. Prin urmare, se recomandă să verificați brațele din când în când și să le curățați folosind o perie nemetalică mică.



Pentru a demonta brațul de pulverizare superior, rotiți inelul de fixare din plastic în sens orar. Brațul de pulverizare superior trebuie introdus astfel încât partea cu cele mai multe orificii să fie îndreptată în sus.



Brațul de pulverizare inferior poate fi demontat prin tragerea în sus.

SISTEMUL DE DEDURIZARE A APEI

Sistemul de dedurizare a apei reduce automat durezza apei, împiedicând astfel acumularea de depuneri pe încălzitor și contribuind, de asemenea, la creșterea eficienței de curățare.

Acest sistem se regenerează singur cu sare, de aceea este necesar să reumpleți recipientul pentru sare când este gol.

Frecvența regenerării depinde de setarea nivelului durezza apei - regenerarea are loc odată la 6 cicluri Eco cu nivelul durezza apei setat la 3. Procesul de regenerare începe la clătirea finală și se termină în faza de uscare, înainte de terminarea ciclului.

- Procesul de regenerare implică următorul consum: ~3.5 L de apă;
- Adaugă până la 5 minute suplimentare pe ciclu;
- Consumul de energie este sub 0,005 kWh.

REMEDIEREA PROBLEMELOR

În cazul în care mașina de spălat vase nu funcționează corect, verificați dacă problema poate fi remediată parcurgând lista de mai jos. Pentru alte erori sau probleme, vă rugăm să contactați serviciul de asistență tehnică post-vânzare autorizat, ale cărui date de contact pot fi găsite în certificatul de garanție. Piesele de schimb vor fi disponibile pentru o perioadă de până la 7 sau până la 10 ani, în conformitate cu cerințele normelor specifice.

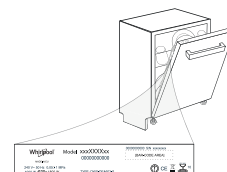
PROBLEME	CAUZE POSIBILE	SOLUȚII
Indicatorul de sare este aprins	Rezervorul de sare este gol. (După reumplere, indicatorul pentru sare poate rămâne aprins pe durata mai multor cicluri de spălare).	Reumpleți rezervorul cu sare (pentru mai multe informații - vezi pagina 2). Corectați nivelul de duritate a apei - vezi tabelul de la pagina 2.
Mașina de spălat vase nu pornește sau nu răspunde la comenzi.	Aparatul nu a fost conectat la priză în mod corespunzător. Pană de curent. Ușa mașinii de spălat vase nu este închisă. Ciclul este întrerupt prin deschiderea ușii timp de > 4 secunde. Aparatul nu răspunde la comenzi.	Introduceți ștecherul în priză. Din motive de siguranță, mașina de spălat vase nu va reporni automat la restabilirea alimentării cu energie. Deschideți ușa mașinii de spălat vase, apăsați butonul PORNIRE/Pauză și închideți ușa în 4 secunde . Împingeți ferm ușa până când auziți un „clic” Apăsați butonul PORNIRE/Pauză și închideți ușa în decurs de 4 secunde . Opriti aparatul apăsând pe butonul PORNIRE/OPRIRE , reporniți-l după aproximativ un minut și reporniți programul. Dacă problema persistă, deconectați aparatul timp de 1 minut, apoi conectați-o din nou.
Mașina de spălat vase nu evacuează apa.	Încă nu s-a terminat ciclul de spălare. Furtunul de evacuare este îndoit. Conducta de evacuare a chiuvetei este blocată. Filtrul este înfundat cu resturi de alimente	Așteptați finalizarea ciclului de spălare. Asigurați-vă că furtunul de evacuare nu este îndoit (<i>consultați INSTRUCȚIUNILE DE INSTALARE</i>). Curățați conducta de evacuare a chiuvetei. Curățați filtrul (<i>consultați CURĂȚAREA ANSAMBLULUI DE FILTRE</i>).
Mașina de spălat vase produce zgomot excesiv.	Vasele se lovesc unele de celelalte. S-a produs o cantitate excesivă de spumă.	Aranjați corect vesela (<i>consultați ÎNCĂRCAREA RAFTURILOR</i>). Detergentul nu a fost măsurat corect sau nu este adecvat pentru utilizare în mașini de spălat vase (<i>consultați UMPLEREA DOZATORULUI DE DETERGENT</i>). Reporniți ciclul curent prin oprirea mașinii de spălat vase, apoi reporniți-o, selectați un program nou, apăsați butonul START/Pauză și închideți ușa în decurs de 4 secunde . Vă rugăm să nu adăugați niciun detergent.
Vasele nu sunt curate.	Vesela nu a fost aranjată corespunzător. Brațele de pulverizare nu se pot roti liber, acestea fiind împiedicate de vase. Ciclul de spălare este prea lejer. S-a produs o cantitate excesivă de spumă. Capacul compartimentului pentru agent de clătire nu a fost închis corect. Filtrul este murdar sau înfundat. Lipsește sărurile.	Aranjați corect vesela (<i>consultați ÎNCĂRCAREA RAFTURILOR</i>). Aranjați corect vesela (<i>consultați ÎNCĂRCAREA RAFTURILOR</i>). Selectați un ciclu de spălare corespunzător (<i>consultați TABELUL CU PROGRAME</i>). Detergentul nu a fost măsurat corect sau nu este adecvat pentru utilizare în mașini de spălat vase (<i>consultați UMPLEREA DOZATORULUI DE DETERGENT</i>). Asigurați-vă că este închis capacul dozatorului pentru agent de clătire. Curățați ansamblul de filtre (<i>consultați secțiunea ÎNGRIJIRE ȘI ÎNTREȚINERE</i>). Umpleți compartimentul pentru săruri (<i>consultați UMPLEREA COMPARTIMENTULUI PENTRU SĂRURI</i>).
Mașina de spălat vase nu încarcă apă. Toate LED-urile clipească rapid	Nu există apă în rețeaua de alimentare sau robinetul este închis. Furtunul de alimentare este îndoit. Sita furtunului de alimentare cu apă este înfundată; aceasta necesită curățare.	Asigurați-vă că există apă în rețeaua de alimentare sau că robinetul este deschis. Asigurați-vă că furtunul de alimentare nu este îndoit (<i>consultați INSTALARE</i>), reprogramați mașina de spălat vase și reporniți-o. După efectuarea controalelor și a curățării, opriți și porniți mașina de spălat vase, iar apoi rulați un program nou.
Mașina de spălat vase termină ciclul prematur.	Furtunul de evacuare este poziționat prea jos sau evacuează în sistemul de canalizare local. Aer în rețeaua de alimentare cu apă.	Verificați dacă furtunul de evacuare este așezat la înălțimea corectă (<i>consultați secțiunea INSTALARE</i>). Verificați dacă evacuarea are loc în sistemul de canalizare local, instalați supapa de admisie a aerului, dacă este necesar. Verificați alimentarea cu apă pentru a vă asigura că nu există scurgeri sau alte probleme care lasă aerul să pătrundă în interior.

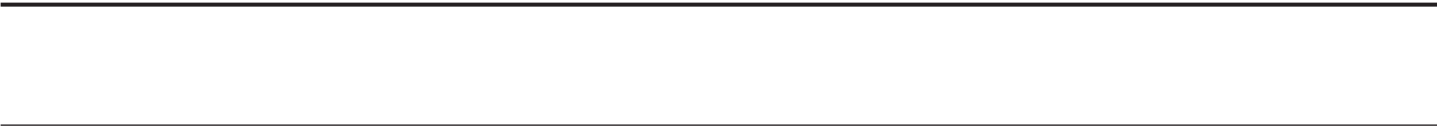


Puteți găsi politicile, documentația standard, informațiile despre comandarea pieselor de schimb și informațiile suplimentare despre produs:

- Vizitând site-urile noastre web docs.indesit.eu și parts-selfservice.whirlpool.com
- Utilizând codul QR
- Ca alternativă, **contactați serviciul nostru de asistență tehnică post-vânzare** (consultați numărul de telefon din certificatul de garanție). Când contactați serviciul nostru de asistență tehnică post-vânzare, vă rugăm să precizați codurile specificate pe plăcuța cu date de identificare a produsului dumneavoastră.

Informațiile modelului pot fi accesate folosind codul QR indicat pe eticheta energetică. Eticheta include, de asemenea, identificatorul de model care poate fi utilizat pentru a consulta portalul de înregistrare la <https://eprel.ec.europa.eu>.





400011652613B

01/2023 ks - Xerox Fabriano



ЩОДЕННИЙ ДОВІДНИК З УСУНЕННЯ НЕСПРАВНОСТЕЙ



ДЯКУЄМО ЗА ПРИДБАННЯ ВИРОБУ INDESIT.
Для отримання більш повної допомоги зареєструйте свій прилад на веб-сайті:
www.indesit.com/register

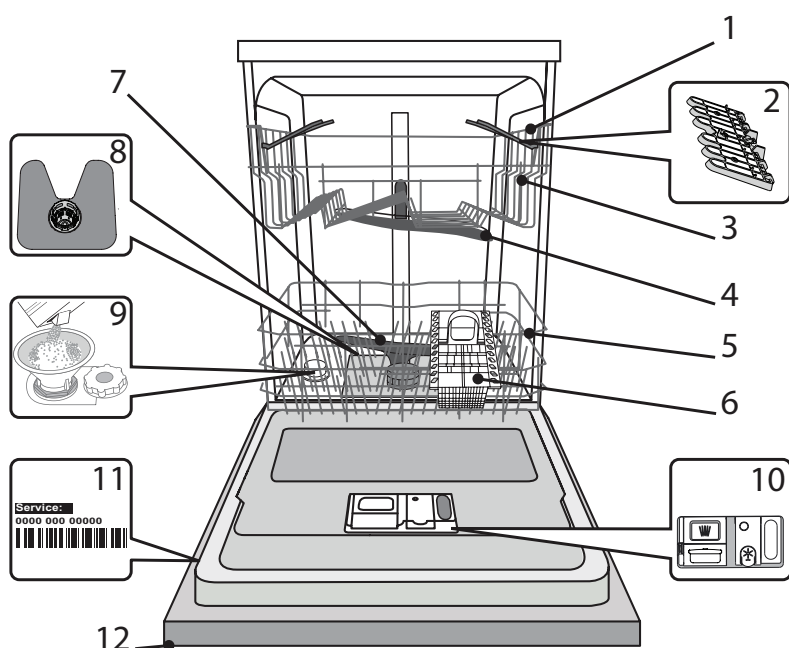


Щоб завантажити Інструкції з техніки безпеки та Інструкцію з експлуатації, відвідайте наш веб-сайт docs.indesit.eu і дотримуйтеся інструкцій на задній обкладинці буклету.

Перед використанням апарату, прочетуйте уважно Інструкції за безпеку.

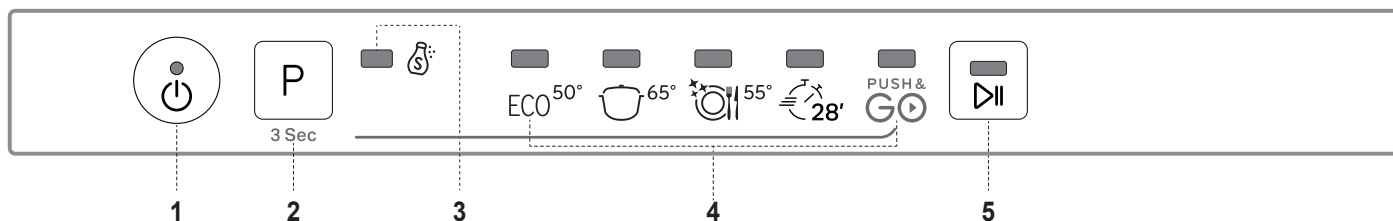
ОПИС ВИРОБУ

ВИРІБ



1. Верхній кошик
2. Складані полочки
3. Регулятор висоти верхнього кошика
4. Верхній розбризкувач
5. Нижній кошик
6. Кошик для столових приборів
7. Нижній розбризкувач
8. Вузол фільтру
9. Бачок із сіллю
10. Дозатори миючого засобу та ополіскувача
11. Табличка з технічними даними
12. Панель керування

ПАНЕЛЬ КЕРУВАННЯ



1. Кнопка «Увімк.-вимк./скидання» з індикаторною лампою
2. Кнопка вибору програми/ Push&GO (Швидкий запуск)
3. Індикаторна лампа заповнення сіллю
4. Індикаторні лампи програми
5. Кнопка «СТАРТ/Пауза» з індикаторною лампою

ПЕРШЕ ВИКОРИСТАННЯ СІЛЬ, ОПОЛІСКУВАЧ І МИЮЧИЙ ЗАСІБ

ПОРАДИ ЩОДО ПЕРШОГО ВИКОРИСТАННЯ ПРИБАДУ


Після установлення витягніть фіксатори із кошиків та підпірні еластичні елементи з верхнього кошика.

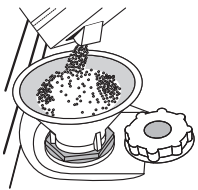
НАПОВНЕННЯ БАЧКА ДЛЯ СОЛІ

Використання солі запобігає утворенню НАКИПУ на посуді і на функціональних компонентах машини.

• Важливо слідувати за тим, щоб **БАЧОК ДЛЯ СОЛІ НІКОЛИ НЕ БУВ ПОРОЖНІМ**.

• Це важливо для встановлення належної жорсткості води.

Бачок для солі розташований у нижній частині посудомийної машини (див. «ОПИС ВИРОБУ»), його слід наповнювати, коли на панелі керування світиться індикаторна лампа «ЗАПОВНЕННЯ СІЛЛЮ» .



1. Вийміть нижній кошик і відкрутіть кришку бачка (проти годинникової стрілки).
2. **Виконайте це лише при першому використанні: наповніть бачок для солі водою.**
3. Вставте воронку (див. малюнок) і наповніть бачок для солі до краю (приблизно 1 кг); просочування невеликої кількості води - це нормально.
4. Витягніть воронку і зітріть залишки солі з отвору.

Переконайтеся, що кришка щільно прилягає, щоб під час виконання програми миття миючий засіб не міг потрапити до контейнера (це може призвести до пошкодження пом'якшувача води, який не підлягає ремонту).

Якщо потрібно досипати сіль, обов'язково завершіть процедуру перед циклом миття, щоб запобігти корозії.

НАЛАШТУВАННЯ ЖОРСТКОСТІ ВОДИ

Для належного функціонування пом'якшувача води дуже важливо, щоб налаштована жорсткість води базувалася на фактичному значенні жорсткості води у вашому будинку. Цю інформацію можна отримати у місцевій організації водопостачання.

Стандартне значення жорсткості води, встановлене на заводі.

- Увімкніть прилад, натиснувши кнопку **УВІМКН./ВИМКН.**
- Вимкніть прилад, натиснувши кнопку **УВІМКН./ВИМКН.**
- Натисніть і утримуйте кнопку **P** протягом 5 секунд, поки не пролунає звуковий сигнал.
- Увімкніть прилад, натиснувши кнопку **УВІМКН./ВИМКН.**
- Блимає індикаторна лампа програми, яка відповідає поточному встановленому рівню.
- Натисніть кнопку **P**, щоб вибрати бажаний рівень жорсткості (див. ТАБЛИЦЮ «ЖОРСТКІСТЬ ВОДИ»).

Таблиця жорсткості води				
івень солі	°dH Німецькі градуси	°fH Французькі градуси	°Clark Англійські градуси	
1	М'яка	0 - 6	0 - 10	0 - 7
2	Середня	7 - 11	11 - 20	8 - 14
3	Звичайна	12 - 16	21 - 29	15 - 20
4	Жорстка	17 - 34	30 - 60	21 - 42
5	Дуже жорстка	35 - 50	61 - 90	43 - 62

• Вимкніть прилад, натиснувши кнопку **УВІМКН./ВИМКН.**

Налаштування завершено!

Як тільки цю процедуру буде завершено, запустіть програму без завантаження посуду.

Використовуйте лише сіль, що спеціально призначена для посудомийних машин.

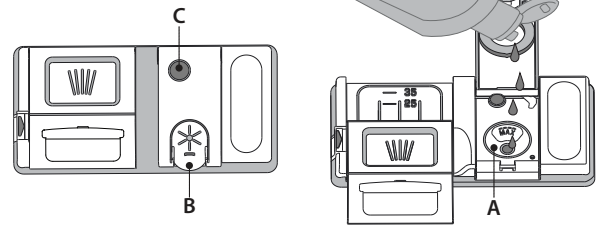
Коли сіль буде засипано до машини, індикаторна лампа «ЗАПОВНЕННЯ СІЛЛЮ» вимкнеться.

Якщо контейнер для солі незаповнений, це може призвести до пошкодження пом'якшувача води і нагрівального елемента в результаті накопичення накипу.

Рекомендується використовувати сіль з будь-яким типом миючих засобів для посудомийних машин.

ЗАПОВНЕННЯ ДОЗАТОРА ОПОЛІСКУВАЧА

Ополіскувач полегшує СУШІННЯ посуду. Дозатор для ополіскувача **A** необхідно заповнити, якщо темний оптичний показчик на дверцятах **C** дозатора став прозорим.



1. Відкрийте дозатор **B** натиснувши і потягнувши угору за виступ на кришці.
 2. Обережно додайте максимальну кількість ополіскувача (110 мл) до контрольної риски у ємності, уникаючи проливання рідини. Якщо це сталося, негайно витріть рідину сухою тканиною.
 3. Натискайте кришку донизу, поки не почуєте звук клацання.
- НІКОЛИ не наливайте ополіскувач безпосередньо у бачок.**

РЕГУЛЮВАННЯ ДОЗУВАННЯ ОПОЛІСКУВАЧА

Якщо ви не задоволені результатом сушіння, можна відрегулювати використовувану кількість ополіскувача.

- Увімкніть посудомийну машину за допомогою кнопки «**УВІМКН./ВИМКН.**».
- Вимкніть її за допомогою кнопки «**УВІМКН./ВИМКН.**».
- Тричі натисніть кнопку **P** пролунає звуковий сигнал.
- Увімкніть її за допомогою кнопки «**УВІМКН./ВИМКН.**».
- Блимає індикаторна лампа програми, яка відповідає поточному встановленому рівню.
- Натисніть кнопку **P**, щоб обрати значення кількості ополіскувача, що подається.
- Вимкніть її за допомогою кнопки «**УВІМКН./ВИМКН.**».

Налаштування завершено!

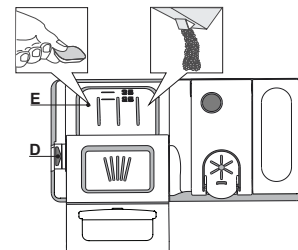
Якщо рівень ополіскувача встановлено на 1 (ECO), подачу ополіскувача буде припинено.

Може бути встановлено до 5 рівнів у залежності від моделі посудомийної машини. Заводські налаштування вказані для моделі, щоб дізнатися налаштування для своєї машини, дотримуйтеся наведеної вище інструкції.

- Якщо на посуді з'являються блакитні смуги, встановіть низьке значення (2-3).
- Якщо на посуді з'являються краплі води або вапняний наліт, встановіть високе значення (4-5).

НАПОВНЕННЯ ДОЗАТОРА МИЮЧОГО ЗАСОБУ

Щоб відкрити дозатор миючого засобу, використовуйте механізм відкриття D. Додавайте миючий засіб тільки у сухий дозатор E. Додайте відповідну кількість миючого засобу для попереднього миття безпосередньо у бачок.







1. Щоб додати належну кількість, при відмірюванні миючого засобу звертеся з інформацією, наведеною вище. Усередині дозатора **E** є індикатори, які забезпечують правильне дозування миючого засобу.
2. Видаліть залишки миючого засобу з країв дозатора и закривайте кришку, поки не почуєте клацання.
3. Закрийте кришку дозатора миючого засобу, тягнучи її угору, поки запірний механізм не зафіксується.

Дозатор миючого засобу автоматично відкривається у потрібний момент відповідно до програми.

Використання миючого засобу, не призначеного для посудомийних машин, може привести до несправності або пошкодження приладу.

ТАБЛИЦЯ ПРОГРАМ

Програма	Сушіння циклу	Тривалість програми миття (г:хв) ^{*)}	Споживання води (літрів/цикл)	Споживання електроенергії (кВтг/цикл)
1. Еко ECO 50°	✓	3:35	9,5	0,95
2. Інтенсивна  65°	✓	2:40	18,0	1,60
3. Змішані тканини  55°	✓	2:15	16,0	1,40
4. Fast&Clean 28' (Швидко і чисто 28')  50°	-	0:28	9,0	0,50
5. Push&GO (Швидкий запуск)  50°	✓	1:30	11,5	1,30

Дані програми «ЕКО» виміряно у лабораторних умовах відповідно до європейського стандарту EN 60436:2020.

Примітка для контрольних-випробних лабораторій: щодо інформації з умов проведення порівняльних випробувань EN, зверніться за адресою: dw_test_support@whirlpool.com

Жодна програма не передбачає попередню обробку посуду.

*) Значення, наведені для інших програм, крім програми «ЕКО», є орієнтовними. Фактичний час може змінюватися у залежності від багатьох факторів, таких як температура і тиск води на впуску, кімнатна температура, кількість миючого засобу, кількість і тип завантаженого посуду, балансування завантаження, додаткові обрані опції і калібрування датчика. Через калібрування датчика тривалість виконання програми може збільшитися на період до 20 хв.

ОПИС ПРОГРАМ

Інструкції з вибору циклу миття.

1 ЕКО

Програма Еко підходить для очищення помірно забрудненого посуду оскільки вона є найбільш ефективною з точки зору сукупного споживання енергії і води, і оскільки вона використовується для оцінки відповідності екологічних вимог до конструкції в рамках Європейських норм.

2 ІНТЕНСИВНА

Програма для сильно забруднених каструль і тарілок (не слід використовувати для крихкого посуду).

3 ЗМІШАНІ ТКАНИНИ

Програма для миття каструль і тарілок із середнім ступенем забруднення.

4 FAST&CLEAN 28' (Швидко і чисто 28')

Програма призначена для половинного завантаження або злегка забрудненого посуду без присохлих залишків їжі. Без етапу сушіння.

5 PUSH&GO (Швидкий запуск)

Цикл щоденного миття та сушіння, який забезпечує високу ефективність миття за короткий час без необхідності попередньої обробки посуду.

Примітки:

Зверніть увагу, що цикл «Fast&Clean 28' (Швидко і чисто 28')» призначений для миття посуду з незначними забрудненнями.

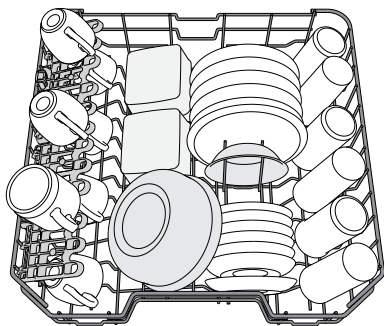
PUSH& GO PUSH&GO (ШВИДКИЙ ЗАПУСК)

Кнопка «Push&GO (Швидкий запуск)» (P) — це легко помітна кнопка, яка дозволяє безпосередньо вмикати програму «Push&GO (Швидкий запуск)», цикл миття і сушіння цієї програми забезпечує високу ефективність очищення за короткий час. Тепер не потрібно турбуватися, яку програму вибрати, цикл «Push&GO (Швидкий запуск)» зробить це за вас.

Для вибору програми «Push&GO (Швидкий запуск)», увімкніть прилад, натисніть і утримуйте кнопку P протягом 3 секунд (засвітиться відповідний світлодіодний індикатор) та закрийте дверцята протягом 4 секунд.

ЗАВАНТАЖЕННЯ КОШИКІВ

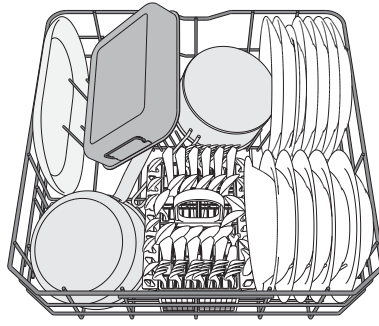
ВЕРХНІЙ КОШИК



(приклад завантаження для верхнього кошика)

Завантажуйте сюди легкий і крихкий посуд: склянки, чашки, блюдця, низькі салатниці.

НИЖНІЙ КОШИК



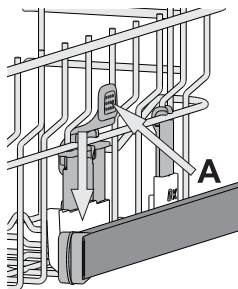
(приклад завантаження для нижнього кошика)

Призначений для каструль, кришок, тарілок, салатниць, столових приборів і т. ін. Великі тарілки і кришки мають бути ідеально розміщені з боків, щоб вони не заважали роботі розбризкувача.

РЕГУЛЮВАННЯ ВИСОТИ ВЕРХНЬОГО КОШИКА

Висоту верхнього кошика можна регулювати: верхнє положення дозволяє розміщувати у нижньому кошику об'ємний посуд, а встановлення більшості відкидних опор у нижньому положенні дозволяє вивільнити більше місця зверху і уникнути зіткнення з посудом, завантаженим у нижній кошик.

Верхній кошик оснащено регулятором висоти верхнього кошика (див. малюнок), не натискаючи на важелі підніміть його, просто тримаючи за бічні сторони, поки кошик не опиниться у верхньому положенні. Для повернення у нижнє положення натисніть на важелі А на бічних сторонах кошика і перемістіть його вниз.



Настійно рекомендуємо не виконувати регулювання висоти кошика, коли у ньому знаходиться посуд.

НИКОЛИ не піднімайте та не опускайте тільки одну зі сторін кошика.

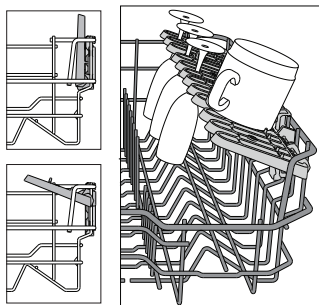
СКЛАДАНІ ПОЛИЧКИ З РЕГУЛЮЄМИМ ПОЛОЖЕННЯМ

Бічні складані полицки можна скласти або розкласти, щоб оптимізувати розташування посуду на решітці.

Келихи можна надійно встановити на складаних полицках, вставивши ніжку кожного келиха у відповідний паз.

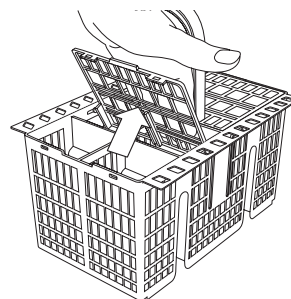
Залежно від моделі:

- щоб розкласти полицки, необхідно посунути їх вгору і повернути або витягти з засувки і потягнути вниз.
- щоб скласти полицки, необхідно повернути їх і посунути вниз або потягнути вгору і прикріпити полицки до засувки.



КОШИК ДЛЯ СТОЛОВИХ ПРИБОРІВ

Кошик оснащено верхніми решітками для зручного складання столових приборів. Кошик для столових приборів слід встановлювати лише на передню частину нижнього кошика.



Ножі та інші столові прибори з гострими краями слід розміщувати у кошику для столових приборів вістрям донизу, або їх слід класти горизонтально у відкидні відділення верхнього кошика.

ЩОДЕННЕ ВИКОРИСТАННЯ

1. ПЕРЕВІРКА ПІДКЛЮЧЕННЯ ВОДИ

Переконайтеся, що посудомийна машина підключена до водопроводу і що кран відкритий.

2. УВІМКНЕННЯ ПОСУДОМИЙНОЇ МАШИНИ

Відкрийте дверцята і натисніть кнопку «УВІМКН./ВИМКН.».

3. ЗАВАНТАЖЕННЯ КОШИКІВ

(див. «ЗАВАНТАЖЕННЯ КОШИКІВ»)

4. НАПОВНЕННЯ ДОЗАТОРА МИЮЧОГО ЗАСОБУ

5. ВИБІР ПРОГРАМИ І НАЛАШТУВАННЯ ЦИКЛУ

Оберіть найбільш підходящу програму відповідно до типу посуду і ступеню його забруднення (див. «ОПИС ПРОГРАМ»), натискаючи кнопку Р.

Виберіть потрібні опції (див. «ОПЦІЇ ТА ФУНКЦІЇ»).

6. ПУСК

Запустіть цикл миття, натиснувши кнопку «СТАРТ/Пауза» (світиться індикатор) і закривши дверцята протягом 4 сек. Під час запуску програми пролунає один звуковий сигнал. Якщо не закрити дверцята протягом 4 секунд, пролунає сигнал попередження. В такому разі відкрийте дверцята, натисніть кнопку «СТАРТ/Пауза» і знову закрийте дверцята протягом 4 сек.

7. ЗАВЕРШЕННЯ ЦИКЛУ МИТТЯ

Завершення циклу миття супроводжується звуковими сигналами і з блиманням індикаторної лампи обраної програми. Відкрийте дверцята і вимкніть прилад, натиснувши кнопку «УВІМКН./ВИМКН.». Зачекайте кілька хвилин перед тим, як витягнути посуд, щоб уникнути опіків. Розвантажте кошики, починаючи з нижнього.

Через певний тривалий період простою машина автоматично вимикається, щоб мінімізувати споживання електроенергії. Якщо посуд незначно забруднений або якщо його промивали водою перед тим, як покласти до посудомийної машини, слід відповідно зменшити використовувану кількість миючого засобу.

ЗМІНА ДІЮЧОЇ ПРОГРАМИ

У разі невірної вибору програми можна змінити її за умови, що виконання програми тільки розпочалося: відчиніть дверцята, натисніть і утримуйте кнопку «УВІМКН./ВИМКН.», машина вимкнеться.

Знову увімкніть машину за допомогою кнопки «УВІМКН./ВИМКН.» і оберіть новий цикл миття та будь-які бажані опції; запустіть цикл, натиснувши кнопку «СТАРТ/Пауза» і зачинивши дверцята протягом 4 сек.

ДОДАВАННЯ ПОСУДУ

Не вимикаючи машину, відкрийте дверцята (індикатор «СТАРТ/ПАУЗА» починає блимати) (**остерігайтеся ГАРЯЧОЇ пари!**) і встановіть посуд всередину посудомийної машини. Натисніть кнопку «СТАРТ/Пауза» і закрийте дверцята протягом 4 секунд, виконання циклу продовжиться з того моменту, на якому він був перерваний.

НЕПЕРЕДБАЧЕНІ ВИМКНЕННЯ

Якщо під час циклу миття відчинені дверцята або якщо станеться відключення живлення, виконання циклу зупиниться. Щоб продовжити виконання циклу з того моменту, на якому він був перерваний, натисніть кнопку «СТАРТ/Пауза» і закрийте дверцята протягом 4 сек.

ПОРАДИ І РЕКОМЕНДАЦІЇ

ПОРАДИ

Перед завантаженням кошиків видаліть з посуду усі залишки їжі та очистіть скляні поверхні. **Не потрібно промивати їх заздалегідь під проточною водою.**

Розташуйте посуд таким чином, щоб він міцно утримувався на місці і не міг перекинутися; і розташуйте контейнери таким чином, щоб отвори були знизу, а увігнуті/опуклі частини нахилені, для того, щоб вода потрапляла на всі поверхні і вільно стікала.

Попередження: кришки, ручки, піддони і сковорідки з ручками не повинні перешкоджати обертанню розпилювачів.

Кладіть будь-які дрібні предмети у кошик для столових приборів. Дуже забруднений посуд і сковорідки необхідно розміщувати у нижньому кошику, тому що у цій частині машини водяні струмені сильніші, завдяки чому досягається вища продуктивність миття.

Після завантаження посуду у прилад переконайтеся, що розпилювачі можуть вільно обертатися.

НЕПРИДАТНИЙ ПОСУД

- Дерев'яний посуд і столові прибори.
- Тонкий декоративний скляний посуд, вироби декоративно-прикладного мистецтва та антикварний посуд. Їх оздоблення нестійке.
- Частини з синтетичного матеріалу, які не витримують дію високих температур.
- Мідний і олов'яний посуд.
- Посуд, забруднений золюю, воском, мастилом або чорнилом.

Кольори скляного оздоблення і алюмінієвих/срібних деталей можуть змінюватися і зникати в процесі миття. Деякі типи скла (наприклад, кришталевий посуд) можуть також стати непрозорими після декількох циклів миття.

ПОШКОДЖЕННЯ СКЛА І ПОСУДУ

- Використовуйте тільки такий скляний і фарфоровий посуд, який згідно рекомендацій його виробника можна безпечно мити у посудомийній машині.
- Використовуйте делікатний миючий засіб, що підходить для посуду
- Витягайте скляний посуд і столові прилади з посудомийної машини відразу після закінчення циклу миття.

РЕКОМЕНДАЦІЇ ЩОДО ЗАОЩАДЖЕННЯ ЕЛЕКТРОЕНЕРГІЇ

- Якщо побутова посудомийна машина використовується відповідно до інструкції виробника, **на миття посуду в посудомийній машині зазвичай витрачається МЕНШЕ ЕНЕРГІЇ та води, ніж при ручному митті посуду.**
- Щоб досягти максимальної ефективності посудомийної машини, **рекомендується розпочинати цикл миття після повного завантаження посудомийної машини.** Завантаження побутової посудомийної машини до зазначеної виробником кількості, сприятиме економії енергії та води. Інформацію про правильне завантаження столового посуду можна знайти в розділі «ЗАВАНТАЖЕННЯ КОШИКІВ».
- У разі часткового завантаження рекомендується використовувати спеціальні опції миття, якщо вони доступні (Половина завантаження/Зона миття/Мультизона), заповнення лише обраних кошиків. Неправильне завантаження або надмірне завантаження посудомийної машини може призвести до збільшення використання ресурсів (таких як вода, енергія та час, а також підвищення рівня шуму), знизивши при цьому продуктивність очищення та сушіння.
- Попереднє ополіскування предметів посуду вручну призводить до збільшення споживання води та енергії і не рекомендується.

ПІГЕНА

Щоб уникнути виникнення запаху і осаду, який може накопичуватися у посудомийній машині, **щонайменше один раз на місяць необхідно запускати високотемпературну програму.** Щоб очистити прилад, використовуйте чайну ложку миючого засобу і запустіть цикл без завантаження посуду.

ДОГЛЯД І ТЕХНІЧНЕ ОБСЛУГОВУВАННЯ

ОЧИЩЕННЯ ВУЗЛА ФІЛЬТРУ

Регулярно очищуйте вузол фільтра, щоб не допускати забивання фільтрів і щоб використана вода могла вільно витікати.

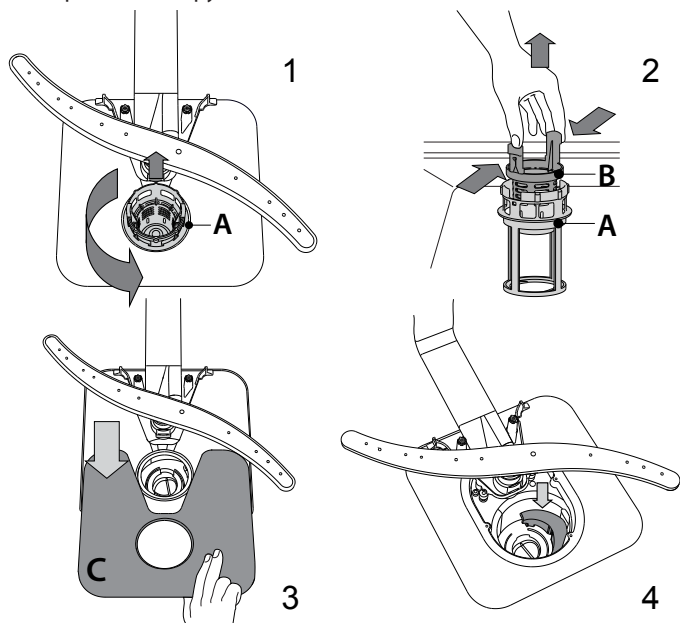
Використання посудомийної машини із засміченими фільтрами або сторонніми предметами всередині системи фільтрації або розбризкувачів може призвести до несправності пристрою, зниження якості миття, шумної роботи приладу або збільшення використовуваних ресурсів.

Вузол фільтра складається з трьох фільтрів, які затримують залишки їжі з промивної води і забезпечують рециркуляцію води.

Посудомийну машину не можна використовувати без фільтрів або з незакріпленим фільтром.

Не рідше одного разу на місяць або після кожних 30 циклів перевіряйте блок фільтра і при необхідності ретельно очищуйте його під проточною водою, використовуючи неметалеву щітку і дотримуючись наведених нижче інструкцій:

1. Поверніть циліндричний фільтр **A** у напрямку проти годинникової стрілки і витягніть його (Мал. 1).
2. Зніміть фільтр кришки **B**, легко натискуючи на бічні стулки (Мал. 2).
3. Витягніть пластинчастий фільтр з нержавіючої сталі **C** (Мал. 3).
4. У разі виявлення сторонніх предметів (таких як уламки скла, фарфору, кісток, насіння фруктів і т.д.), будь ласка, обережно видаліть їх.
5. Перевірте уловлювач і видаліть усі залишки їжі. **НІКОЛИ НЕ ЗНИМАЙТЕ** захисну накладку насоса циклу миття (деталь чорного кольору) (Мал. 4).



Після очищення фільтрів встановіть вузол фільтра на місце та закріпіть його у цьому положенні належним чином; це дуже важливо для ефективного функціонування посудомийної машини.

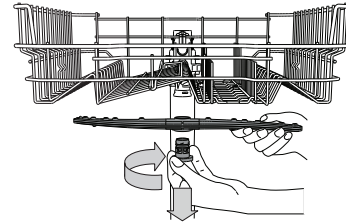
ОЧИЩЕННЯ ШЛАНГУ ПОДАЧІ ВОДИ

Якщо водяні шланги нові або не використовувалися протягом тривалого часу, перед приєднанням пустіть по ним воду, щоб переконатися, що виходить чиста вода без будь-яких домішок.

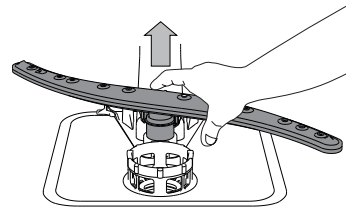
Якщо цей запобіжний захід не буде виконано, подачу води може бути заблоковано, через що посудомийна машина може пошкодитися.

ОЧИЩЕННЯ РОЗБРИЗКУВАЧІВ

В окремих випадках залишки їжі можуть затвердіти на розбризкувачах і блокувати отвори, призначені для розпилення води. Тому рекомендується час від часу перевіряти розбризкувачі і очищувати їх невеликою неметалевою щіткою.



Щоб зняти верхній розпилювач, поверніть пластикове блокувальне кільце за годинниковою стрілкою. Верхній розбризкувач слід розташовувати таким чином, щоб сторона з великою кількістю отворів була спрямована вгору.



Нижній розбризкувач можна зняти, потягнувши його вгору.

СИСТЕМА ПОМ'ЯКШЕННЯ ВОДИ

Пом'якшувач води автоматично знижує жорсткість води, запобігаючи утворенню накипу на нагрівачі, що також сприяє підвищенню ефективності очищення.

Регенерація цієї системи відбувається при використанні солі, тому у разі спорожнення ємність для солі необхідно поповнювати.

Частота регенерації залежить від встановленого рівня жорсткості води - регенерація відбувається один раз на 6 циклів Eco, якщо встановлений 3-й рівень жорсткості води.

Процес регенерації починається під час заключного полоскання і закінчується у фазі сушіння, до закінчення циклу.

- Одноразова регенерація споживає: ~3,5 л води;
- Займає до 5 додаткових хвилин на цикл;
- Споживає менше 0,005 кВт год енергії.

УСУНЕННЯ НЕСПРАВНОСТЕЙ

Якщо посудомийна машина не працює належним чином, перевірте, чи можна усунути проблему, використовуючи наступний список. У разі виникнення інших помилок або проблем звертайтеся до авторизованого сервісного центру, контактні дані якого можна знайти в гарантійному талоні. Запасні частини будуть доступні впродовж терміну до 7 або до 10 років, відповідно до конкретних нормативних вимог.

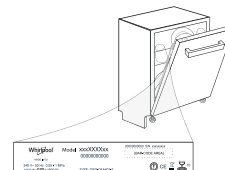
ПРОБЛЕМИ	МОЖЛИВІ ПРИЧИНИ	РІШЕННЯ
Горить індикатор солі	Резервуар солі порожній. (Після поповнення індикатор солі може залишатися увімкненим протягом декількох циклів мийки).	Заповніть контейнер для солі (докладніші відомості див. на стор. 2). Налаштуйте рівень жорсткості води (див. таблицю на стор. 2).
Посудомийна машина не запускається або не реагує на команди.	Прилад не підключений до розетки.	Вставте штекер у розетку електроживлення.
	Відключення електропостачання.	З міркувань безпеки посудомийна машина не буде автоматично перезапускатись після подачі живлення. Відкрийте дверцята посудомийної машини, натисніть кнопку «ПУСК/Пауза» та закрийте двері протягом 4 секунд.
	Дверцята машини не закриті.	Енергійно натискуйте на дверцята, поки не почуєте звук «клацання».
	Цикл переривається при відкриванні дверцят більш ніж на 4 секунди.	Натисніть кнопку ПУСК/Пауза та протягом 4 секунд зачиніть дверцята приладу.
З посудомийної машини не витікає вода.	Прилад не реагує на команди.	Вимкніть прилад, натиснувши кнопку «УВІМКН./ВИМКН.», приблизно через хвилину увімкніть його знову і скиньте програму. Якщо це не дає бажаного результату, від'єднайте прилад на 1 хвилину, а потім знову підключіть його до розетки.
	Цикл миття ще не закінчено.	Зачекайте, поки закінчиться цикл миття.
	Зливний шланг вигнутий.	Переконайтеся, що зливний шланг не вигнутий (див. ІНСТРУКЦІЮ З УСТАНОВЛЕННЯ).
	Трубу зливної системи заблоковано.	Очистіть трубу зливної системи.
Посудомийна машина породжує надмірний шум.	Фільтр закупорений залишками їжі	Очистіть фільтр (див. «ОЧИЩЕННЯ ВУЗЛА ФІЛЬТРУ»).
	Посуд деренчить.	Правильно розташуйте посуд (див. «ЗАВАНТАЖЕННЯ КОРЗИН»).
	Виробляється надмірна кількість піни.	Неправильно відміряно потрібну кількість миючого засобу або він не підходить для використання у посудомийних машинах (див. «НАПОВНЕННЯ ДОЗАТОРА МИЮЧОГО ЗАСОБУ»). Перезапустіть поточний цикл, вимкнувши посудомийну машину і увімкнувши її знову. Після цього виберіть нову програму, натисніть «ПУСК/Пауза» і закрийте дверцята протягом 4 секунд. Не додавайте миючий засіб.
	Посуд не очищено.	Правильно розташуйте посуд (див. «ЗАВАНТАЖЕННЯ КОРЗИН»).
Посуд не очищено.	Посуд було неправильно розміщено.	Правильно розташуйте посуд (див. «ЗАВАНТАЖЕННЯ КОРЗИН»).
	Розбризкувач не може вільно обертатися, йому перешкоджає посуд.	Правильно розташуйте посуд (див. «ЗАВАНТАЖЕННЯ КОРЗИН»).
	Цикл миття занадто м'який.	Виберіть відповідний цикл миття (див. «ТАБЛИЦЮ ПРОГРАМ»).
	Виробляється надмірна кількість піни.	Неправильно відміряно потрібну кількість миючого засобу або він не підходить для використання у посудомийних машинах (див. «НАПОВНЕННЯ ДОЗАТОРА МИЮЧОГО ЗАСОБУ»).
	Кришку відділення ополіскувача не закрито належним чином.	Переконайтеся, що кришку дозатора ополіскувача закрито.
	Фільтр забруднений або забитий.	Очистіть вузол фільтра (див. «ДОГЛЯД І ТЕХНІЧНЕ ОБСЛУГОВУВАННЯ»).
Посудомийна машина не набирає воду.	Відсутня сіль.	Наповніть бачок для солі (див. «НАПОВНЕННЯ БАЧКА ДЛЯ СОЛІ»).
	Немає води у системі водопостачання або закритий кран.	Перевірте, чи є напір у системі водопостачання або чи відкритий кран.
	Всі світлодіоди швидко блимає	Перевірте, чи зливний шланг не перегнутий (див. розділ «ВСТАНОВЛЕННЯ») запрограмуйте посудомийну машину і перезавантажте її.
	Засмічена сітка на впускному шлангу; її потрібно очистити.	Після проведення перевірки і очищення вимкніть і увімкніть посудомийну машину і запустіть нову програму.
Посудомийна машина закінчує цикл передчасно.	Занадто низько розташований зливний шланг або зливання в домашню каналізаційну систему.	Перевірте, чи встановлений на правильній висоті кінець зливного шланга (див. розділ «ВСТАНОВЛЕННЯ»). Перевірте наявність сифона в домашній каналізації, при необхідності встановіть вентиль впускного повітря.
	Повітря в водопроводі.	Перевірте подачу води на предмет витоків або інших проблем, пов'язаних з проникненням повітря в систему.

З політикою компанії, нормативною документацією, інформацією про замовлення запасних частин та додатковою інформацією про продукт можна ознайомитися:



- Відвідайте наш веб-сайт docs.indesit.eu і parts-selfservice.whirlpool.com
- Використайте QR-код
- Або зверніться до нашої служби післяпродажного обслуговування клієнтів (номер телефону зазначено у гарантійному талоні). Звертаючись до центру післяпродажного обслуговування, повідомте коди, зазначені на таблиці з паспортними даними виробу.

Інформацію про модель можна отримати, скориставшись вказаним на маркуванні енергоефективності QR-кодом. На етикетці також зазначений ідентифікатор моделі, який можна використовувати для перегляду порталу реєстру за адресою <https://eprel.ec.europa.eu>



400011652613B

01/2023 ks - Xerox Fabriano

