

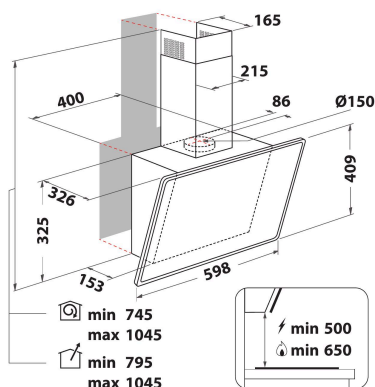
# WHVP 65F LM K

12NC: 859991629270

GTIN (EAN) code: 8003437621376

**Whirlpool**

SENSING THE DIFFERENCE



## MAIN FEATURES

Product group	абсорбатори
Colour body	Черен
Material body	<b>Metal / glass</b>
Colour chimney	Черен
Material chimney	<b>Metal</b>
Typology	<b>Manual</b>
Installation type	Свободностоящи
Type of control	<b>Electronic</b>
Type of control settings	-
Decor panel options	N/A
Motor location	<b>Integrated motor in hood body</b>
Operating Mode	<b>Convertible</b>
Electrical connection rating (W)	142
Current (A)	1,1
Voltage (V)	220-240
Frequency (Hz)	50
Length of Electrical Supply Cord (cm)	150
Plug type	Schuko
Chimney height (mm)	-
Height of product, without chimney (mm)	325
Height of the product	360
Width of the product	598
Depth of the product	326
Minimum niche height	0
Minimum niche width	0
Niche depth	0
Net weight (kg)	12

## TECHNICAL FEATURES

Type of manual control devices	<b>Buttons</b>
Type of automatic control devices	-
Number of motors	1
Total power of the motors (W)	140
Number of speed settings: boost option availability	3
Boost presence	No
Maximum output air extraction (m <sup>3</sup> /h)	375
Boost position air extraction (m <sup>3</sup> /h)	0
Maximum output recirculating air (m <sup>3</sup> /h)	310
Boost position output recirculating (m <sup>3</sup> /h)	0
Light Control Type	<b>On/Off</b>
Number of lights	2
Type of lamps used	LED
Total power of the lamps (W)	2
Diameter of air outlet (mm)	150
No-return airflow flap	No
Grease filter material	Washable aluminium
Odour filter	No

## ENERGY LABEL

Sound power at min. speed (2010/30/EU)	55
Sound power at max. speed (2010/30/EU)	60
Noise level with boost position (dB(A) re 1 pW)	0