

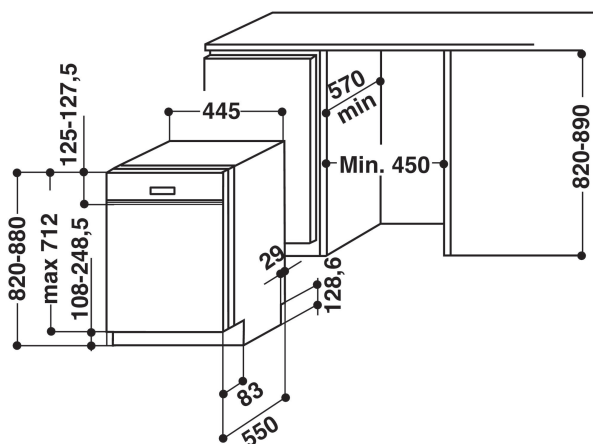
# ADG 155

12NC: 851195901000

EAN code: 8003437970863

**Whirlpool**

SENSING THE DIFFERENCE



## MAIN FEATURES

Construction type	Built-in
Installation type	Plne vestavná
Type of control	Mechanical and electronic
Type of control setting and signalling devices	-
Removable work top	N/A
Door decor panel	N/A
Main colour of product	Core Silver
Connection rating (W)	2200
Current (A)	10
Voltage (V)	220-240
Frequency (Hz)	50
Length of Electrical Supply Cord (cm)	150
Plug type	Schuko
Length inlet hose (cm)	150
Ledningslængde (cm)	150
Adjustable plinth	Ne
Height of removable worktop (mm)	0
-	-
Height of the product	820
Width of the product	445
Depth of the product	538
Depth with open door 90 degree (mm)	1145
Minimum niche height	0
Maximum niche height	0
Minimum niche width	0
Maximum niche width	0
Niche depth	0
Net weight (kg)	37
Gross weight (kg)	42

## TECHNICAL FEATURES

Automatic programmes	Ne
Maximum temperature for water intake (°C)	60
Start delay options	One time fixed
Start delay time max. (h)	9
Progress indicator	-
Digital countdown indicator	Ne
Salt light indicator	Ano
Rinse aid light indicator	Ano
Safety device	Ano
Adjustable upper basket	Ne
Largest loadable dish upper basket (cm)	0
Largest loadable dish lower basket (cm)	0

## ENERGETICKÝ ŠTÍTEK

Energy efficiency class - NEW (2010/30/EC)	A+
Energy consumption annual (kWh/annum) - NEW (2010/30/EC)	222
Duration of the left-on mode - NEW (2010/30/EC)	0
Power consumption in left-on mode - NEW (2010/30/EC)	1.8
Power consumption in off-mode - NEW (2010/30/EC)	0
Water consumption annual (l/annum) - NEW (2010/30/EC)	2940
Noise level (dB(A) re 1 pW)	52