



THANK YOU FOR BUYING A WHIRLPOOL PRODUCT.
In order to receive a more complete assistance, please register your appliance on: www.whirlpool.eu/register

Before using the appliance carefully read Safety and Installation Instructions. More information about your product available on website: docs.whirlpool.eu

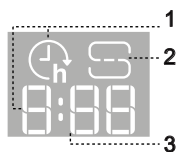
After installation, please remember to remove all transport protection parts from the dishwasher.

CONTROL PANEL



- 1. **ON-OFF/Reset** button with indicator light
- 2. **Eco program** button with indicator light
- 3. **Rapid program** button with indicator light/ **Prewash program** - 3 sec. press
- 4. **Crystals program** button with indicator light/ **Self-Clean program** - 3 sec. press
- 5. **Auto programs** buttons with indicator lights - **Auto Intensive 65°**/ **Auto Mixed 55°**/ **Auto Fast 50°**
- 6. **Salt reservoir empty** indicator light
- 7. **Rinse Aid reservoir empty** indicator light
- 8. **Display**
- 9. **Program number and remaining time** indicator
- 10. **Closed water tap** indicator light
- 11. **DESCALE** indicator light
- 12. **Extra options** buttons with indicator lights - **Half Load/ Silent/ Sani Rinse**
- 13. **Power Clean® option** button with indicator light
- 14. **Extra Dry option** button with indicator light/ **Settings** - 3 sec. press
- 15. **Delay option** button with indicator light
- 16. **START/Pause** button with indicator light

DISPLAY ON THE FLOOR



- 1. **Delay Time on the floor** - indicator of the time left to the start of the cycle, when the Delay option is set
- 2. **Salt reservoir empty** - indicator light on the floor
- 3. **Remaining Time on the floor** - indicator of the time left to the end of the cycle

FIRST TIME USE

SETTING MENU

- Switch on the appliance by pressing the **ON-OFF** button.
- Hold the **Settings** button for 3 seconds, until you hear a beep and the display shows „**SET**“.
- After one second the first available setting (letter, „h“) will be displayed.
- Press **Auto programs** / **Extra options** button to scroll through the list of available settings (see table below), then press **START/Pause** to view and change the value of the currently selected setting.
- Press **Auto programs** / **Extra options** to change the value, then press **START/Pause** to save the new value.
- To change another setting, repeat points 2 and 5.
- Press **ON-OFF** or wait 30 seconds to exit the menu.

LETTER	SETTING	VALUES (Default - in bold)
h	Water Hardness Level <i>(see "SETTING THE WATER HARDNESS" and "WATER HARDNESS TABLE")</i>	1 2 3 4 5
f	Rinse Aid Level <i>(see "ADJUSTING THE DOSAGE OF RINSE AID")</i>	0 1 2 3 4 5
□	NaturalDry <i>(see "OPTIONS AND FUNCTIONS")</i> "1" = On, "0" = Off	1 0
⏰	Time on the floor <i>(see "OPTIONS AND FUNCTIONS")</i> "1" = On, "0" = Off	1 0
🔊	Sound "1" = On, "0" = Off	1 0
⏪	Factory Settings Press START/Pause to restore to the factory default all the values of the settings included in the settings menu.	-

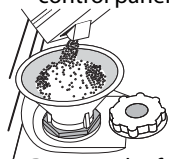
FILLING THE SALT RESERVOIR

The use of salt prevents the formation of LIMESCALE on the dishes and on the machine's functional components.

The salt reservoir is located in the lower part of the dishwasher (under the lower rack on the left side).

- It is mandatory that **THE SALT RESERVOIR NEVER BE EMPTY.**
- It is important to set the water hardness.
- Salt must be filled when the **SALT REFILL indicator light** on the control panel is lit.

- Remove the lower rack and unscrew the reservoir cap (anticlockwise).
 - Position the funnel (see figure) and fill the salt reservoir right up to its edge (approximately 0,5 kg); it is not unusual for a little water to leak out.
 - Only the first time you do this: fill the salt reservoir with water.**
 - Remove the funnel and wipe any salt residue away from the opening. Make sure the cap is screwed on tightly so that no detergent can get into the container during the wash program (this could damage the water softener beyond repair).
- Run a program every time as soon as you completed refilling the salt reservoir to avoid corrosion.**



SETTING THE WATER HARDNESS

To allow the water softener to work in a perfect way, it is essential that the water hardness setting is based on the actual water hardness in your house. This information can be obtained from your local water supplier. The factory setting is "3". See „WATER HARDNESS TABLE“.

Level	°dH German degrees	°fH French degrees	°Clark English degrees
1 (Soft)	0 - 6	0 - 10	0 - 7
2 (Medium)	7 - 11	11 - 20	8 - 14
3 (Average)	12 - 16	21 - 29	15 - 20
4 (Hard)	17 - 34	30 - 60	21 - 42
5 (Very hard)	35 - 50	61 - 90	43 - 62

To change, follow instructions in section "SETTING MENU". **Only use salt that has been specifically designed for dishwashers.** After the salt has been poured into the machine, the SALT REFILL indicator light switches off.

If the salt container is not filled, the water softener and the heating element may be damaged as a result of limescale accumulation. Use of salt is recommended with any type of dishwasher detergent.

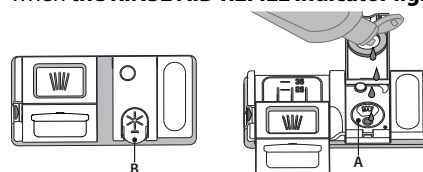
WATER SOFTENING SYSTEM

Water softener automatically reduces water hardness, consequently preventing scale buildup on the heater, contributing also to better cleaning efficiency. **This system regenerates itself with salt, therefore it is required to refill the salt container when empty.** The frequency of regeneration depends on the water hardness level setting - regeneration takes place once per 4-6 Eco cycles with the water hardness level set to 3. The regeneration process occurs at the beginning of the cycle with additional fresh water.

- Single regeneration consumes: ~3L of water;
- Takes up to 5 additional minutes for the cycle;
- Consumes below 0.005kWh of energy.

FILLING THE RINSE AID DISPENSER

Rinse aid makes dish DRYING easier. The rinse aid dispenser A should be filled when the **RINSE AID REFILL indicator light** in the control panel is lit.



- Open the dispenser B by pressing and pulling up the tab on the lid.
- Pour in the rinse aid (max.110 ml), making sure it does not overflow from the dispenser. If this happens, clean the spill immediately with a dry cloth.

- Press the lid down until you hear a click to close it. **NEVER pour the rinse aid directly into the appliance tub.**

ADJUSTING THE DOSAGE OF RINSE AID

If you are not completely satisfied with the drying results, you can adjust the quantity of rinse aid used.

To change, follow the instructions in the section "SETTING MENU".

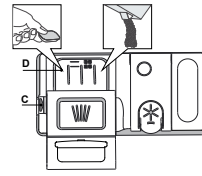
If the rinse aid level is set to ZERO, no rinse aid will be supplied. The **LOW RINSE AID indicator** light will not be lit if you run out of rinse aid.

A maximum of 6 levels can be set according to the dishwasher model.

- If you see bluish streaks on the dishes, set a low number (0-3).
- If there are drops of water or limescale marks on the dishes, set a mid-range number (4-5).

FILLING THE DETERGENT DISPENSER

To open the detergent dispenser use the opening device C. Introduce the detergent into the dry dispenser D only. Place the amount of detergent for pre-washing directly inside the tub.



1. When measuring out the detergent refer to the mentioned earlier information to add the proper quantity. Inside the dispenser D, there are indications to help the detergent dosing.
2. Remove detergent residues from the edges of the dispenser and close the cover until it clicks.
3. Close the lid of the detergent dispenser by pulling it up until the closing device is secured in place.

The detergent dispenser automatically opens up at the right time according to the program.

Usage of detergent not designed for dishwashers may cause malfunction or damage to the appliance.

DAILY USE

1. CHECK WATER CONNECTION

Check that the dishwasher is connected to the water supply and that the tap is open.

2. SWITCH ON THE DISHWASHER

Open the door and press the **ON/OFF** button.

3. LOAD THE RACKS (see *LOADING THE RACKS*).

4. FILL THE DETERGENT DISPENSER

5. CHOOSE THE PROGRAM AND CUSTOMISE THE CYCLE

Select the most appropriate program in accordance with the type of crockery and its soiling level (see *PROGRAMS DESCRIPTION*) by pressing the selected **PROGRAM** button.

Select the desired options (see *OPTIONS AND FUNCTIONS*). Not all options are compatible with all programs.

6. START

Start the wash cycle by pressing **START/Pause** button (led is lit) and closing the door within 4 sec. When the program starts you hear a single beep. If the door was not closed within 4sec., the alarm sound will be played. In this case, open the door, press **START/Pause** button and close the door again within 4 sec.

7. END OF WASH CYCLE

The end of the wash cycle is indicated by sound and the display shows **END**.

Open the door and switch off the appliance by pressing the **ON/OFF** button.

Wait for a few minutes before removing the crockery - to avoid burns. Unload the racks, beginning with the lower one.

MODIFYING A RUNNING PROGRAM

If a wrong program was selected, it is possible to change it, provided that it has only just begun. **RESET** the machine: press and hold the **ON/OFF** button for more than 3. sec., and the machine will switch off. **The dashboard will show "0:01"**. Close the door and wait until drain cycle ends (around 1 minute). Open the door and switch the machine back on using the **ON/OFF** button and select the new wash cycle and any desired options. Start the cycle by pressing the **START/Pause** button and closing the door within 4 sec.

ADDING EXTRA CROCKERY

Without switching off the machine, open the door first slightly to avoid water splashing out (**START/Pause** led starts blinking) (**Caution! Hot steam!**) and place the crockery inside the dishwasher. Press the **START/Pause** button and close the door within 4 sec., the cycle will resume from the point at which it was interrupted.

ACCIDENTAL INTERRUPTIONS

If the door is opened during the wash cycle, or if there is a power cut, the cycle stops. **ONLY IF YOU PRESS** the **START/Pause** button and close the door within 4 sec., the cycle will resume from the point at which it was interrupted.

ADVICE AND TIPS

TIPS

Before loading the baskets, remove all food residues from the crockery and empty the glasses. **You do not need to rinse beforehand under running water.**

Arrange the crockery so that it is held in place firmly and does not tip over; and arrange the containers with the openings facing downwards and the concave/convex parts placed obliquely, thus allowing the water to reach every surface and flow freely.

Warning: lids, handles, trays and frying pans should not prevent the sprayer arms from rotating.

Place any small items in the cutlery basket.

Very soiled dishes and pans should be placed in the lower basket because in this sector the water sprays are stronger and allow a higher washing performance.

After loading the appliance, make sure that the sprayer arms can rotate freely.

UNSUITABLE CROCKERY

- Wooden crockery and cutlery.
- Delicately decorated glasses, artistic handicrafts and antique crockery. Their decorations are not resistant.
- Parts in synthetic material which do not withstand high temperatures.
- Copper and tin crockery.
- Crockery soiled with ash, wax, lubricating grease or ink.

The colours of glass decorations and aluminium/silver pieces can change and fade during the washing process. Some types of glass (e.g. crystal objects) can become opaque after a number of wash cycles too.

DAMAGE TO GLASS AND CROCKERY

- Only use glasses and porcelain guaranteed by the manufacturer as dishwasher safe.
- Use a delicate detergent suitable for crockery
- Collect glasses and cutlery from the dishwasher as soon as the wash cycle is over.

TIPS ON ENERGY SAVING

- When the household dishwasher is used according to the manufacturer's instructions, **washing tableware in a dishwasher usually consumes less energy and water than hand dishwashing.**
- In order to maximize dishwasher efficiency, it is recommended to **initiate the wash cycle once the dishwasher is fully loaded.** Loading the household dishwasher up to the capacity indicated by the manufacturer will contribute to energy and water savings. Information on the correct loading of tableware can be found in the Loading chapter. In case of partial loading, it is recommended to use a dedicated wash options if available (Half load/ Zone Wash/ Multizone), filling up only selected racks. Incorrect loading or overloading of the dishwasher may increase resources usage (such as water, energy and time, as well as increase noise level), reducing cleaning and drying performance.
- Manual pre-rinsing of tableware items leads to increased water and energy consumption and is not recommended.

HYGIENE

To avoid odour and sediment which can be accumulated in the dishwasher **please run a high-temperature program at least once a month.** Use a teaspoon of detergent and run it without loading to clean your appliance.

RESISTANCE TO FROST

If the appliance is placed in surroundings exposed to the risk of frost, it **must be drained completely.** Turn off the water tap, remove the inlet and outlet hoses, and let all the water drain away. **Make sure that the water softener is full of dissolved regeneration salt in the salt container,** to protect the appliance from temperatures of up to -20°C.

If the appliance was stored in frost conditions the appliance must remain at an ambient temperature of min. 5°C for **at least 24 hours** before the first run.

PROGRAMS TABLE

Program	Programs description	Drying phase	Natural-Dry	Available options *)	Duration of wash program (h: min)**)	Water consumption (litres/cycle)	Energy consumption (kWh/cycle)
Eco 50° - Program is suitable to clean normally soiled tableware, that for this use, it is the most efficient program in terms of its combined energy and water consumption, and that it is used to assess compliance with the EU Ecodesign legislation.		✓	✓		4:00	9.5	0.65
Rapid 45° - Program is recommended for limited amount of lightly-soiled dishes with no dried food residues. Does not include the drying phase.		-	✓		0:30 - 0:40	10.0 - 12.0	0.55 - 0.65
Crystals 45° - Program for delicate items, which are more sensitive to high temperatures, for example glasses and cups.		✓	✓		1:40 - 1:50	12.5 - 16.5	0.95 - 1.20
Auto Intensive - 65° - Automatic program for heavily soiled dishes and pans.	Senses the level of soiling on the dishes and adjusts the program accordingly. When the sensor is detecting the soil level an animation appears in the display and the cycle duration is updated.	✓	✓		2:25 - 3:10	15.5 - 24.5	1.30 - 1.70
Auto Mixed - 55° Automatic program for normally soiled dishes with dried food residues.		✓	✓		1:20 - 3:00	7.5 - 19.5	0.75 - 1.20
Auto Fast - 50° - Automatic program for normally and lightly soiled dishes. The everyday cycle that ensures optimal cleaning and drying performance in shorter time.		✓	✓		1:00 - 1:50	7.5 - 15.5	0.70 - 1.10
Prewash - Use to refresh crockery planned to be washed later. No detergent to be used with this program.		-	✓		0:12	4.5	0.10
Self-Clean 65° - Program to be used to perform maintenance of the dishwasher, to be carried out only when the dishwasher is EMPTY using specific detergents designed for dishwasher maintenance.		-	-		1:15	11.0	1.10

ECO program data is measured under laboratory conditions according to European Standard EN 60436:2020.

Note for Test Laboratories: For information on comparative EN testing conditions, please send an email to the following address: dw_test_support@whirlpool.com
Pre-treatment of the dishes is not needed before any of the programs.

*) Not all options can be used simultaneously.

**) Values given for programs other than the program Eco are indicative only. The actual time may vary depending on many factors such as temperature and pressure of the incoming water, room temperature, amount of detergent, quantity and type of load, load balancing, additional selected options and sensor calibration. The sensor calibration can increase program duration up to 20 min.

OPTIONS AND FUNCTIONS

OPTIONS can be selected/ deselected, after choosing the program, directly by pressing the corresponding button (if available - the indicator lights up) (see CONTROL PANEL). If an option is not compatible with the selected program (see PROGRAMS TABLE), the corresponding LED flashes rapidly 3 times and beeps will sound. The option will not be enabled. An option can change time or water or energy consumption for the program.

HALF LOAD - If there are not many dishes to be washed, HALF LOAD is used to save water, electricity or time, depending on the selected program.
Remember to reduce the amount of detergent.

SILENT - Suitable for night-time operation of the appliance. This option can be used to limit noise emissions during wash phases. It will increase cycle time depending on base cycle selection.

SANI RINSE - This option can be used to sanitize washed dishes. It will increase the final rinse temperature and add an antibacterial wash to the selected program. Ideal to clean crockery and feeding bottles. The dishwasher door must be kept shut for the entire duration of the program in order to guarantee a reduction of germs.

WARNING: the crockery and plates could be extremely hot at the end of the cycle.

POWER CLEAN® - Thanks to the additional power jets this option provides a more intensive and powerful wash in the lower rack, in the specific area. This option is recommended for washing pots and casseroles (Please refer to the Power Clean® loading section).

EXTRA DRY - The higher temperature during the final rinse and the extended drying phase allows for improved drying. The EXTRA DRY option results in the lengthening of the wash cycle.

DELAY - The start of the program may be delayed for a period of time between **0:30** and **24** hours.

1. Select the program and any desired options. Press the DELAY button (repeatedly) to delay the start of the program. Adjustable from 0:30 to 24 hours. Once the 24 hours setting is reached, press the DELAY another time to deactivate the DELAY function.
2. Press the START/Pause button and close the door within 4 sec. The timer will begin counting down.
3. Once this time has elapsed, the indicator light switches off and the program begins automatically.

The DELAY function cannot be set once a program has been started.

WATER TAP CLOSED - Alarm - Flashes, when there is no inlet water or water tap is closed.

TIME ON THE FLOOR - A LED light projected on the floor indicates the time left to the end of the cycle. The light goes off every time the door is opened. The light goes off at the end of a cycle. This feature is active by default, but it is possible to deactivate it in the "SETTINGS MENU".

DESCALE - Alarm - Limescale accumulation was detected on internal components of the appliance. Check if **Water Hardness Setting** is at correct value and **salt** is present in salt container (see **FIRST TIME USE**), then **use a descaling product** (WPro brand is recommended) with **Self-Clean program**. After a successful descaling the icon will stop being displayed. If actions above are not performed, product performance will deteriorate. DESCAL warning will start blinking and «**DES**» alarm will appear on the display. If still no action is taken, the appliance will only allow a certain number of cycles to be started (indicated during «**DES**» alarm display) and then will be **BLOCKED** to prevent component damage, **with only Self-Clean program available**. Performing a full descaling will unblock the product. In case of extremely high amounts of limescale, descaling may have to be performed twice to be efficient.

NaturalDry - it is a convection drying system which automatically opens the door during/after the drying phase to ensure exceptional drying performance every day. The door opens at a temperature that is safe for your kitchen furniture, thus door will not be opened when the option of SANI RINSE is on.

As additional steam protection, specially designed protection foil is added together with the dishwasher.

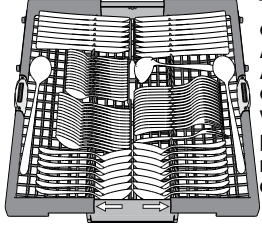
To see how to mount protection foil please refer to the INSTALLATION GUIDE. This feature is active by default, but it is possible to deactivate it in the "SETTINGS MENU".

SENSING - When the sensor is detecting the soil level an animation appears (around 20 min.) in the display and the cycle duration is updated. SENSING is for the level of soiling on the dishes and it is present for all cycles (excepting Eco) adjusting the program accordingly.

LOADING THE RACKS

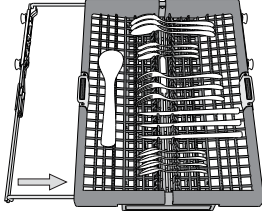
CAPACITY: 15 standard place-settings

CUTLERY RACK



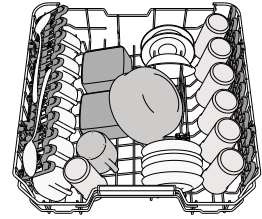
The third rack was designed to house the cutlery. Arrange the cutlery as shown in the figure. A separate arrangement of the cutlery makes collection easier after washing and improves washing and drying performance.

Knives and other utensils with sharp edges must be positioned with the blades facing downwards.



The cutlery basket is equipped with two sliding side trays to make the most of the height of the space below and enable the loading of high items into the upper rack.

UPPER RACK



Load delicate and light dishes: glasses, cups, saucers, low salad bowls. The upper rack has tip-up supports which can be used in a vertical position when arranging tea/ dessert saucers or in a lower position to load bowls and food containers.

(loading example for the upper rack)

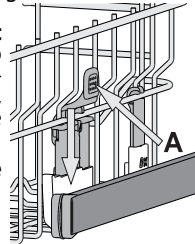
Adjusting the height of the upper rack

The height of the upper rack can be adjusted: a high position to place bulky crockery in the lower basket and low position to make the most of the tip-up supports by creating more space upwards and avoiding collision with the items loaded into the lower rack.

The upper rack is equipped with an **Upper Rack height adjuster** (see figure), without pressing the levers, lift it up by simply holding the rack sides, as soon as the rack is stable in its upper position. To restore to the lower position, press the levers **A** at the sides of the rack and move the basket downwards.

We strongly recommend that you do not adjust the height of the rack when it is loaded.

NEVER raise or lower the basket on one side only.

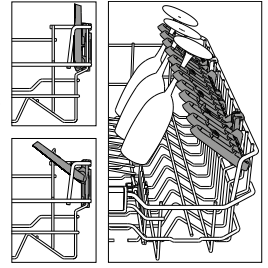


Foldable flaps with adjustable position

The side foldable flaps can be folded or unfolded to optimize the arrangement of crockery inside the rack. Wine glasses can be placed safely in the foldable flaps by inserting the stem of each glass into the corresponding slots.

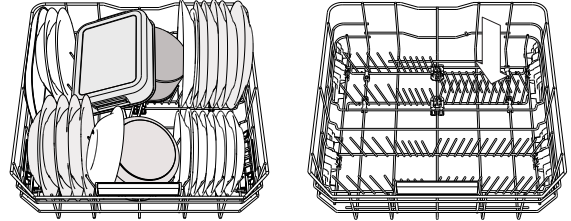
Depending on the model:

- to unfold the flap there is needed to slide it up and rotate or release it from the snaps and pull it down.
- to fold the flap there is needed to rotate it and slide flap down or pull it up and attach flap to the snaps.



LOWER RACK

For pots, lids, plates, salad bowls, cutlery etc. Large plates and lids should ideally be placed at the sides to avoid interferences with the spray arm. The lower rack has tip-up supports which can be used in a vertical position when arranging plates or in a horizontal position (lower) to load pans and salad bowls easily.



(loading example for the lower rack)

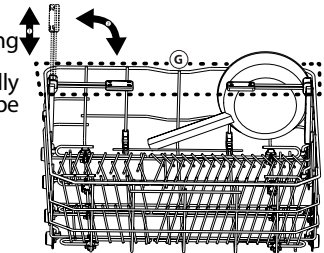
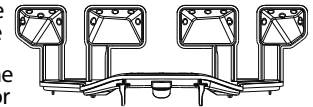
POWER CLEAN®

Power Clean® uses the special water jets in the rear of the cavity to wash more intensively the highly dirty items. The lower rack has a Space Zone, special pull-out support in the rear of the rack that can be used to support frying pans or baking pans in an upright position, thus taking up less space.

Placing the pots/casseroles faced to the Power Clean® component please activate the **POWER CLEAN®** on the panel.

How to use Power Clean®:

1. Adjust the Power Clean® area **G** folding down the rear plate holders to load pots.
2. Load pots and casseroles inclined vertically in the Power Clean® area. Pots have to be inclined towards the powerful water jets.



CARE AND MAINTENANCE

CLEANING THE FILTER ASSEMBLY

Regularly clean the filter assembly so that the filters do not clog and that the waste water flows away correctly.

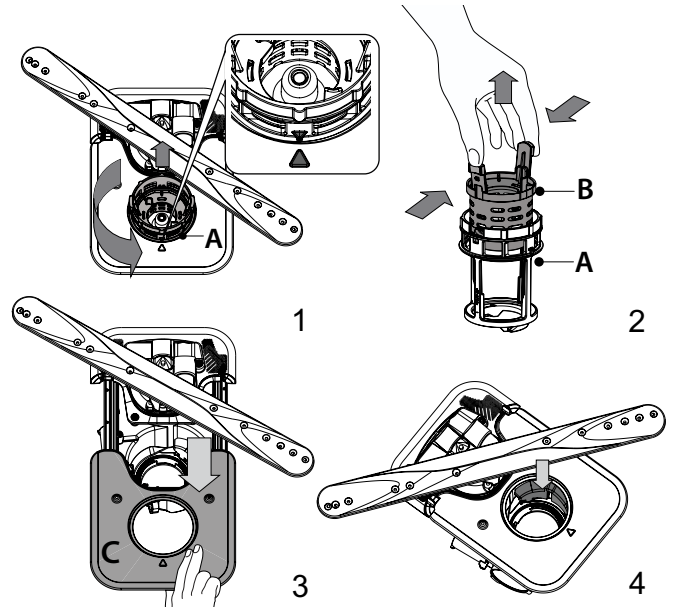
Using the dishwasher with clogged filters or foreign objects inside the filtration system or spray arms may cause unit malfunction resulting in loss of performance, noisy work or higher resources usage.

The filter assembly consists of three filters which remove food residues from the washing water and then recirculate the water.

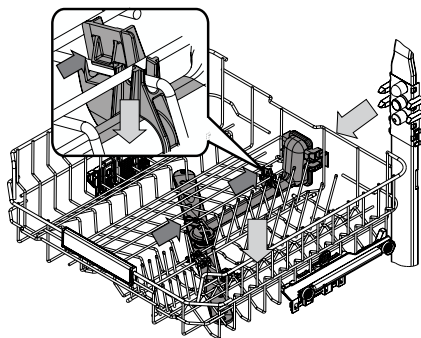
The dishwasher must not be used without filters or if the filter is loose.

At least once per month or after every 30 cycles, check the filter assembly and if necessary clean it thoroughly under running water, using a non-metallic brush and following the instructions below:

1. Turn the cylindrical filter **A** in an anti-clockwise direction and pull it out (Fig 1). **It is important when reinstalling the filter that the two triangles shown on the zoom meet.**
 2. Remove the cup filter **B** by exerting a slight pressure on the side flaps (Fig 2).
 3. Slide out the stainless-steel plate filter **C** (Fig 3).
 4. In case you find foreign objects (such as broken glass, porcelain, bones, fruit seeds etc.) **please remove them carefully.**
 5. Inspect the trap and remove any food residues. **NEVER REMOVE** the wash-cycle pump protection (shown by an arrow) (Fig 4).
- After cleaning the filters, replace the filter assembly and fix it in position correctly; this is essential for maintaining the efficient operation of the dishwasher.

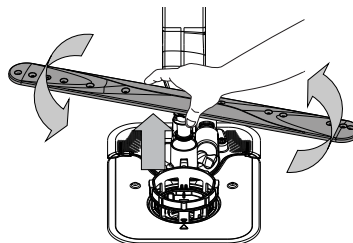


CLEANING THE SPRAY ARMS

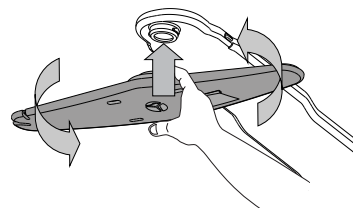


On occasions, food residue may become encrusted onto the spray arms and block the holes used to spray the water. It is therefore recommended that you check the arms from time to time and clean them with a small non-metallic brush.

To remove the upper spray arm you must remove it together with the manifold.



The lower spray arm may be removed by pulling it upwards and rotating it anti-clockwise. Mounting back the spray arm is by pulling it down and rotating it clockwise.



The top spray arm may be removed by pressing it up and then rotating it anti-clockwise. Mounting back the spray arm is by pulling it upwards and rotating it clockwise.

TROUBLESHOOTING

In case your dishwasher doesn't work properly, check if the problem can be solved by going through the following list. For other errors or issues please contact authorized After-sales Service whose contact details can be found in the warranty booklet. Spare parts will be available for a period of either up to 7 or up to 10 years, according to the specific Regulation requirements.

PROBLEMS	POSSIBLE CAUSES	SOLUTIONS
The salt indicator is lit	Salt reservoir is almost empty.	Refill the reservoir with salt (for more information - see <i>FILLING THE SALT RESERVOIR</i>). Check the water hardness setting if necessary (see <i>SETTING THE WATER HARDNESS</i>)
The salt indicator is blinking	Salt reservoir is empty.	Refill the reservoir with salt as soon as possible. Using the appliance without salt may cause damage to its internal components.
Rinse aid indicator is lit or blinking	Rinse aid dispenser is empty. (After refill the rinse aid indicator may remain lit for a short time).	Refill the dispenser with a rinse aid (for more information - see <i>FILLING THE RINSE AID DISPENSER</i>).
Descale indicator is lit or blinking; "dES" alarm is displayed.	Limescale is accumulating on internal components of the appliance	Descalate the appliance immediately using the Self-Clean program and a commercially available descaling product (see <i>OPTIONS AND FUNCTIONS</i>). Refill the reservoir with salt. Check the water hardness setting. If the appliance is not descaled, it will stop functioning.
The dishwasher won't start or does not respond to commands.	The appliance has not been plugged in properly.	Insert the plug into the socket.
	Power outage.	For safety reasons, the dishwasher will not re-start automatically when power returns. Open dishwasher door, press START/Pause button and close the door within 4 seconds.
	The dishwasher door is not closed. ActiveDry pin is not pulled in.	Vigorously push the door until you hear the "click".
	A cycle is interrupted by door opening for more than 4 seconds.	Press START/Pause and close the door within 4 seconds.
The dishwasher won't drain. Display shows: F7 E3 or F9 E1	Filter is clogged with food residues or limescale	Clean the filter and descale the appliance (see <i>CLEANING THE FILTER ASSEMBLY and DESCALING INSTRUCTION</i>).
	Drain hose is kinked.	Check the drain hose (see <i>INSTALLATION INSTRUCTION</i>).
	The sink drain pipe is blocked.	Clean the sink drain pipe.
The dishwasher makes excessive noise.	Dishes are rattling against each other.	Position the crockery correctly (see <i>LOADING THE RACKS</i>).
	An excessive amount of foam is present.	The detergent has not been measured out correctly or it is not suitable for use in dishwashers (see <i>FILLING THE DETERGENT DISPENSER</i>). Restart the current cycle by switching OFF the dishwasher, then switch it on again, select a new program, press START/Pause and close the door within 4 seconds. Please do not add any detergent.
	Crockery has not been arranged properly.	Arrange the crockery correctly (see <i>LOADING THE RACKS</i>).
	The filter is clogged with food residues or limescale.	Clean the filter assembly (see <i>CARE AND MAINTENANCE</i>).
The dishes are not clean.	Crockery has not been arranged properly.	Arrange the crockery correctly (see <i>LOADING THE RACKS</i>).
	Spray arms cannot rotate freely, being hindered by the dishes.	Arrange the crockery correctly (see <i>LOADING THE RACKS</i>). Check that the upper rack is in the correct position and adjust (lift up) if necessary
	The wash cycle is too gentle.	Select an appropriate wash cycle (see <i>PROGRAMS TABLE</i>).
	An excessive amount of foam is present.	The detergent has not been measured out correctly or it is not suitable for use in dishwashers (see <i>FILLING THE DETERGENT DISPENSER</i>).
	The cap on the rinse aid compartment has not been closed correctly.	Make sure the cap of the rinse aid dispenser is closed.
	The filter is clogged with food residues or limescale	Clean the filter and descale the appliance (see <i>CLEANING THE FILTER ASSEMBLY</i>).
The salt reservoir is empty.	Fill the salt reservoir (see <i>FILLING THE SALT RESERVOIR</i>).	

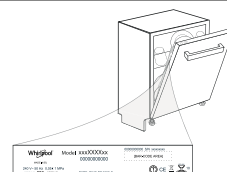
PROBLEMS	POSSIBLE CAUSES	SOLUTIONS
The dishwasher does not fill the water. The display shows: H2O and \emptyset is lit; acoustic alarm sounds.	No water in the water supply or the tap is closed.	Make sure there is water in the water supply and the water tap is open.
	The water inlet hose is kinked.	Check the inlet hose (see <i>INSTALLATION</i>). Open dishwasher door, press START/Pause button and close the door within 4 seconds.
	The screen in the water inlet hose is clogged; it is necessary to clean it.	Check and clean the screen in the water inlet hose. Open dishwasher door, press START/Pause button and close the door within 4 seconds.
The dishwasher finishes the cycle prematurely. The display shows: F8 E3	Filter is clogged with food residues or limescale	Clean the filter and descale the appliance (see <i>CLEANING THE FILTER ASSEMBLY and DESCALE INSTRUCTION</i>).
	Drain hose positioned too low or siphoning into the home sewage system.	Check if the end of the drain hose is placed at the correct height (see <i>INSTALLATION</i>). Check for siphoning into the home sewage system, and install siphon breaker/air admittance valve if necessary.
	An excessive amount of foam is present.	The detergent has not been measured out correctly or it is not suitable for use in dishwashers (see <i>FILLING THE DETERGENT DISPENSER</i>).
	Air in the water supply.	Check water supply for leaks or other issues letting air inside.
The dishes are not dried well	Rinse aid is not present or the dosage is too low.	Make sure the rinse aid dispenser is filled (see <i>FILLING THE RINSE AID DISPENSER</i>). Multifunctional tablets only will not provide as good drying effects as the actual use of liquid rinse aid.
	The dishes have been unloaded after the door was opened automatically but before the actual cycle end.	Make sure the cycle has ended before starting to unload the dishes (the display shows "END" or is blank). For even better drying results, it is recommended to let the dishes sit inside the dishwasher with the door open for additional 15 minutes after the cycle ends.
	The dishes are sitting too flat.	If you notice puddles of water inside cavities of cups, mugs or bowls, try loading the dishes (especially in the upper rack) providing more inclination to let larger amounts of water drip down before drying starts.
	The selected cycle does not have the drying phase.	Please check in the Programs Table if the selected program is equipped in the drying phase. Cycle without the drying phase may not deliver desired drying efficiency, so it is recommended to change cycle selection for the one that has the drying phase.
	The dishes are made of non-stick or plastic.	Some water drops remaining on this type of material are normal.
Dishes and glasses have blue streaks or bluish tinges.	Rinse aid dosage is excessive.	Adjust the dosage to a lower setting.
Dishes and glasses are covered with limescale or a whitish film.	Salt reservoir is empty.	Refill the reservoir with salt as soon as possible. Using the appliance without salt may cause damage to its internal components.
	The water hardness setting is too low.	Increase the setting (see <i>WATER HARDNESS TABLE</i>).
	The cap of the salt reservoir is not properly closed.	Check and close the salt reservoir cap.
	The rinse aid reservoir is empty or rinse aid dosage is insufficient.	Refill the dispenser with rinse aid and check the dosage setting (for more information - see page 1).
Dishwasher shows F8 E5	Valve is blocked or faulty.	Close the water tap, if possible. Do not switch off the power supply. Call the service.



Policies, standard documentation, ordering of spare parts and additional product information can be found by:

- Using QR code and visiting our website: docs.whirlpool.eu
- Visiting our website: parts-selfservice.whirlpool.com
- Alternatively, **contact our After-sales Service** (See phone number in the warranty booklet). When contacting our After-sales Service, please state the codes provided on your product's identification plate.

The model information can be retrieved using the QR-Code reported in the energy label. The label also includes the model identifier that can be used to consult the portal of the registry at <https://eprel.ec.europa.eu>





MERCI D'AVOIR CHOISI UN PRODUIT WHIRLPOOL.
Afin de recevoir une assistance plus complète, merci d'enregistrer votre appareil sur : www.whirlpool.eu/register

Avant d'utiliser l'appareil, il convient de lire attentivement les consignes de sécurité et d'installation. Pour en savoir plus concernant votre produit, consulter le site Internet : docs.whirlpool.eu

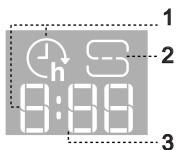
⚠ Après l'installation, rappelez-vous d'enlever toutes les pièces de protection pour le transport du lave-vaisselle.

PANNEAU DE COMMANDE



1. Touche et voyant **MARCHE-ARRÊT/Réinitialisation**
2. Touche et voyant de **programme Éco**
3. Touche et voyant de **programme Rapide/ programme Prélavage** - pression de 3 secondes
4. Touche et voyant de **programme Cristal/ programme Autonettoyant** - pression de 3 secondes
5. Touches de **programme Auto** avec témoins - **Auto Intensif 65° / Auto Mixte 55° / Auto Rapide 50°**
6. Témoin de réservoir **de sel vide**
7. Témoin de réservoir **de liquide de rinçage vide**
8. **Écran**
9. Indicateur **de numéro de programme et de temps restant**
10. Voyant **Robinet d'eau fermé**
11. Témoin **DÉTARTRAGE**
12. Touche **d'Options Extra** (supplémentaires) avec témoins - **Demi-charge / Silencieux / Rinçage Antibactérien**
13. Touche et voyant de **l'option Power Clean®**
14. Touche et voyant **d'option Extra Sec / Réglages** - pression de 3 secondes
15. Touche et voyant **d'option Départ Différé**
16. Touche et voyant **DÉPART/Pause**

AFFICHAGE AU SOL



1. **Départ différé** - lorsque l'option Départ différé est activée, un compte à rebours est visible au sol jusqu'au démarrage du cycle
2. **Réservoir de sel vide** - témoin au sol
3. **Temps restant au sol** - indicateur du temps restant jusqu'à la fin du cycle

PREMIÈRE UTILISATION

MENU DE RÉGLAGE

1. Allumer l'appareil en appuyant sur la touche **MARCHE-ARRÊT**.
2. Maintenir la touche **Réglages** (Extra Sec) pendant 3 secondes jusqu'à ce que vous entendiez un bip et que l'écran affiche « **SET** ».
3. Après une seconde, le premier réglage disponible (lettre « **h** ») s'affichera.
4. Appuyer sur **programmes Auto** / **d'Options Extra** pour faire défiler la liste des réglages disponibles (voir tableau ci-dessous), puis appuyer sur **DÉPART/Pause** pour visualiser la valeur du réglage actuellement sélectionné.
5. Appuyer sur **programmes Auto** / **d'Options Extra** pour modifier la valeur, puis appuyer sur **DÉPART/Pause** pour enregistrer la nouvelle valeur.
6. Pour changer un autre réglage, répéter les points 2 à 5.
7. Appuyer sur **MARCHE-ARRÊT**, ou attendre 30 secondes pour quitter le menu.

LETTRE	RÉGLAGE	VALEURS (Par défaut - en gras)
h	Niveau de dureté de l'eau (voir « RÉGLER LA DURETÉ DE L'EAU » et « TABLEAU DE DURETÉ DE L'EAU »)	1 2 3 4 5
f	Niveau de liquide de rinçage (voir « AJUSTER LE DOSAGE DU LIQUIDE DE RINÇAGE »)	0 1 2 3 4 5
o	NaturalDry (voir « OPTIONS ET FONCTIONS ») "1" = Oui, "0" = Non	1 0
t	Temps restant au sol (voir « OPTIONS ET FONCTIONS ») "1" = Oui, "0" = Non	1 0
s	Sonnerie "1" = Oui, "0" = Non	1 0
r	Réglages d'usine Appuyer sur DÉPART/Pause pour rétablir aux réglages par défaut d'usine toutes les valeurs des réglages incluses dans le menu Réglages.	-

REMPLIR LE RÉSERVOIR DE SEL RÉGÉNÉRANT

L'utilisation de sel régénérant empêche la formation de CALCAIRE sur la vaisselle et sur les composantes fonctionnelles de l'appareil. Le réservoir de sel est situé dans la partie inférieure du lave-vaisselle (sous le rack inférieur sur le côté gauche).

- Le réservoir de sel **NE DOIT JAMAIS ÊTRE VIDE**.
- Il est important de régler la dureté de l'eau.
- Il convient de faire l'appoint de sel lorsque **le voyant REMPLISSAGE SEL** est allumé sur le panneau de commande.



1. Enlevez le panier inférieur et dévissez le bouchon du réservoir (sens antihoraire).
2. Placez l'entonnoir (voir figure) et remplissez le réservoir de sel jusqu'au bord (environ 0,5 kg); il est normal qu'un peu d'eau déborde.
3. **La première fois uniquement, vous devez effectuer l'opération suivante: remplissez d'eau le réservoir à sel.**

4. Enlevez l'entonnoir et essuyez les résidus de sel autour de l'ouverture. Assurez-vous que le bouchon est bien serré pour éviter que du détergent pénètre dans le réservoir durant le cycle de lavage (le réservoir pourrait s'endommager au point de ne plus être réparable).

Exécuter un programme dès que vous complétez le remplissage du réservoir de sel afin d'éviter la corrosion.

Régler la dureté de l'eau

Pour que l'adoucisseur d'eau fonctionne à la perfection, il est important de régler la dureté de l'eau aux conditions existantes dans votre lieu de résidence. Cette information peut être obtenue de votre fournisseur d'eau local. L'usine règle la valeur par défaut de la dureté de l'eau. Le réglage d'usine est de « **3** ». Voir « **TABLEAU DE DURETÉ DE L'EAU** ».

Pour changer, suivez les instructions de la section « **MENU DE RÉGLAGE** ».

Utilisez seulement le sel spécialement conçu pour les lave-vaisselle.

Lorsque le sel est versé dans l'appareil, le voyant AJOUTER DU SEL s'éteint.

Niveau	°dH Degrés allemand	°fH Degrés français	°Clark Degrés anglais
1 (très douce)	0 - 6	0 - 10	0 - 7
2 (moyenne)	7 - 11	11 - 20	8 - 14
3 (douce)	12 - 16	21 - 29	15 - 20
4 (dure)	17 - 34	30 - 60	21 - 42
5 (très dure)	35 - 50	61 - 90	43 - 62

Si le contenant de sel n'est pas rempli, l'adoucisseur et l'élément chauffant peuvent être endommagés à cause de l'accumulation de calcaire. L'utilisation de sel est recommandée avec n'importe quel type de lessive pour lave-vaisselle.

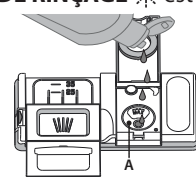
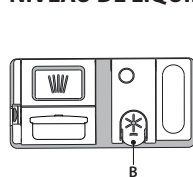
SYSTÈME ADOUCISSEUR D'EAU

L'adoucisseur d'eau réduit automatiquement la dureté de l'eau, en empêchant ainsi la formation de calcaire sur la résistance, et en contribuant également à une meilleure performance de nettoyage. **Ce système se régénère avec du sel, il est donc nécessaire de remplir le bac de sel lorsqu'il est vide.** La fréquence de régénération dépend du réglage du niveau de dureté de l'eau - la régénération a lieu une fois tous les 4-6 cycles Eco avec un niveau de dureté de l'eau réglé à 3. Le processus de régénération a lieu en fin de cycle pendant que le lave-vaisselle est à l'arrêt. Au début de cycle suivant, le rinçage des résines permet d'évacuer tout le calcaire précipité et le saumur résiduel.

- Une régénération simple consomme : ~3 L d'eau ;
- Prend jusqu'à 5 minutes supplémentaires pour le cycle ;
- Consomme moins de 0,005 kWh d'énergie.

REMPLIR LE DISTRIBUTEUR DE LIQUIDE DE RINÇAGE

Le liquide de rinçage permet à la vaisselle de **SÉCHER** plus facilement. Le distributeur de liquide de rinçage **A** devrait être rempli lorsque **le voyant de NIVEAU DE LIQUIDE DE RINÇAGE** est allumé à l'écran.



1. Ouvrez le distributeur **B** en appuyant et en tirant sur l'onglet sur le couvercle.
2. Versez doucement du liquide de rinçage jusqu'à la marque de référence (110 ml) du réservoir de remplissage - évitez les débordements. Si cela se produit, nettoyez les dégâts immédiatement avec un linge sec.

3. Appuyez sur le bouchon pour le fermer; un clic se fait entendre. **Ne JAMAIS verser le liquide de rinçage directement dans la cuve.**

Ajuster le dosage du liquide de rinçage

Si vous n'êtes pas complètement satisfait avec le séchage, vous pouvez ajuster la quantité de liquide de rinçage utilisée.

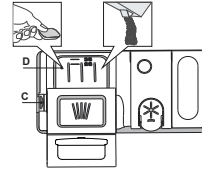
Pour changer, suivre les instructions dans la section « MENU DE RÉGLAGE ». Si le niveau de liquide de rinçage est à ZÉRO, il n'y aura pas de liquide de rinçage distribué. Dans ce cas, le voyant LIQUIDE DE RINÇAGE BAS ne s'allumera pas s'il ne reste plus de liquide de rinçage.

Un maximum de 6 niveaux peuvent être réglés selon le modèle du lave-vaisselle.

- Si vous observez des traces bleuâtres sur la vaisselle, placez sur un niveau plus bas (1-2).
- Si vous observez des gouttelettes d'eau ou des traces de calcaire sur la vaisselle, placez sur un niveau plus haut (4-5).

REMPILIR LE DISTRIBUTEUR DE DÉTERGENT

Pour ouvrir le distributeur de détergent, utilisez le dispositif d'ouverture C. Insérez le détergent dans le distributeur sec D seulement. Placez la quantité de détergent pour le pré-lavage directement dans la cuve.



1. Lorsque vous dosez le détergent, consultez les informations mentionnées précédemment pour ajuster la quantité correcte. À l'intérieur du distributeur D se trouvent des indications pour aider au dosage de la lessive.
2. Enlevez les résidus de détergent sur le bord des récipients avant de fermer le couvercle; un clic se fait entendre.
3. Fermez le couvercle du distributeur de détergent en le tirant vers le haut jusqu'à ce que le dispositif soit fermement en place.

Le distributeur de détergent s'ouvre automatiquement, au moment déterminé par le programme.

L'utilisation d'un détergent non-conçu pour les lave-vaisselle peut provoquer un dysfonctionnement ou des dommages à l'appareil.

UTILISATION QUOTIDIENNE

1. VÉRIFIER LE BRANCHEMENT DE L'EAU

Assurez-vous que l'appareil est raccordé à un réseau d'alimentation et que le robinet de l'eau est ouvert.

2. ALLUMER LE LAVE-VAISSELLE

Ouvrez la porte et appuyez sur la touche MARCHE-ARRÊT.

3. CHARGER LES PANIERS (voir CHARGEMENT DES PANIERS).

4. REMPLIR LE DISTRIBUTEUR DE DÉTERGENT

5. CHOISIR LE PROGRAMME ET PERSONNALISER LE CYCLE

Sélectionnez le meilleur programme selon le type de vaisselle et le niveau de saleté (voir DESCRIPTION DES PROGRAMMES) en appuyant sur la touche PROGRAMME sélectionnée.

Sélectionnez les options désirées (voir OPTIONS ET FONCTIONS). Toutes les options ne sont pas compatibles avec tous les programmes.

6. DÉMARRER

Démarrez le cycle de lavage en appuyant sur la touche DÉPART/Pause (le voyant est allumé) et en fermant la porte dans les 4 secondes. Quand le programme démarre, vous entendez un bip simple. Si la porte n'a pas été fermée dans les 4 secondes, le signal d'alarme est activé. Dans ce cas, ouvrez la porte, appuyez sur la touche DÉPART/Pause et fermez de nouveau la porte dans les 4 sec.

7. FIN DU CYCLE DE LAVAGE

La fin du programme de lavage est indiquée par un son et l'écran affiche END (FIN). Ouvrez la porte et éteignez l'appareil en appuyant sur la touche MARCHE-ARRÊT.

Pour éviter de vous brûler, attendez quelques minutes avant de retirer la vaisselle. Déchargez les paniers en commençant par le panier inférieur.

MODIFICATION D'UN PROGRAMME EN COURS

Si vous avez sélectionné le mauvais programme, vous pouvez le changer, à condition que ce soit fait au tout début du cycle. Pour cela, effectuez une RÉINITIALISATION de la machine: appuyez sur la touche MARCHE-ARRÊT et maintenez-la appuyée pendant plus de 3 secondes, et la machine s'éteindra. Le tableau de commande affichera « 0:01 ». Fermez la porte et attendez la fin du cycle de vidange (environ 1 minute). Ouvrez la porte et rallumez la machine en utilisant le bouton MARCHE-ARRÊT et sélectionnez le nouveau programme de lavage et les éventuelles options souhaitées. Démarrer le cycle en appuyant sur la touche DÉPART/Pause et en fermant la porte dans les 4 secondes.

AJOUT DE VAISSELLE SUPPLÉMENTAIRE

Sans couper la machine, ouvrez la porte tout d'abord légèrement pour éviter que l'eau n'éclabousse (le voyant DÉPART/Pause commence à clignoter). Attention : vapeur chaude. Placer la vaisselle dans le lave-vaisselle. Appuyez sur la touche DÉPART/Pause et fermez la porte dans les 4 sec, le cycle reprendra à l'endroit où il a été interrompu.

INTERRUPTIONS ACCIDENTELLES

Si la porte est ouverte durant le cycle de lavage, ou s'il y a une panne de courant, le cycle s'interrompt. Fermez la porte et le cycle reprendra au moment où il a été interrompu UNIQUEMENT SI VOUS APPUYEZ sur la touche DÉPART/Pause et fermez la porte dans les 4 secondes.

AVIS ET CONSEILS

CONSEILS

Avant de charger les paniers, enlevez tous les résidus de nourriture sur la vaisselle et videz les verres. Vous n'avez pas besoin de rincer la vaisselle avant de la placer dans le lave-vaisselle.

Placez la vaisselle pour qu'elle tienne bien en place et ne risque pas de tomber; et placez les récipients avec les ouvertures vers le bas et les parties concaves/convexes de côté pour permettre à l'eau d'atteindre toutes les surfaces et couler librement.

Avertissement : Vérifiez que les couvercles, poignées et poêle à frire n'empêchent pas les bras d'aspersion de tourner librement. La vaisselle et les casseroles très sales devraient être placées sur le panier inférieur car les jets d'eau sont plus forts dans cette section et permet un meilleur rendement lors du lavage. Après avoir chargé l'appareil, assurez-vous que les bras d'aspersion peuvent bouger librement.

VAISSELLE QUI NE CONVIENT PAS

- Vaisselle et couverts en bois.
 - Verres décoratifs délicats, produits artisanaux, et vaisselle antique. Les garnitures ne sont pas résistantes.
 - Les pièces en matériel synthétique qui ne supportent pas les hautes températures.
 - La vaisselle en cuivre ou en étain.
 - La vaisselle tachée de cendre, de cire, de graisse lubrifiante, ou d'encre.
- Les couleurs des garnitures de verre et des pièces d'aluminium/argent peuvent changer et ternir durant le cycle de lavage. Certains types de verre (p. ex. les objets en cristal) peuvent aussi devenir opaques après plusieurs cycles de lavage.

VERRES ET VAISSELLE ENDOMMAGÉS

- Seulement utiliser des verres ou de la porcelaine qui sont lavables au lave-vaisselle conformément aux recommandations du fabricant.
- Utilisez un détergent doux, adéquat pour la vaisselle.
- Retirez les verres et les couverts du lave-vaisselle aussitôt que le cycle de lavage est terminé.

ASTUCES SUR L'ÉCONOMIE D'ÉNERGIE

- Lorsque le lave-vaisselle domestique est utilisé conformément aux instructions du fabricant, le lavage de la vaisselle dans un lave-vaisselle consomme habituellement MOINS D'ÉNERGIE et d'eau que le lavage à la main.
- Afin d'optimiser l'efficacité du lave-vaisselle, il est recommandé de débiter le cycle de lavage une fois que le lave-vaisselle est totalement chargé. Le chargement du lave-vaisselle domestique jusqu'à la capacité indiquée par le fabricant contribuera à économiser de l'énergie et de l'eau. Vous trouverez des informations sur le chargement correct de la vaisselle dans le chapitre CHARGEMENT DES PANIERS. En cas de chargement partiel, il est recommandé d'utiliser des options de lavage spécifiques si elles sont disponibles (Demi-charge / Zone Wash/ Multizone), en remplissant uniquement les paniers sélectionnés. Un chargement incorrect ou une surcharge du lave-vaisselle peut augmenter l'utilisation des ressources (telles que l'eau, l'énergie et le temps, et augmenter le niveau de bruit), en réduisant les performances de nettoyage et de séchage.
- Un pré-rinçage manuel des éléments de vaisselle provoque une augmentation de la consommation d'eau et d'énergie et n'est pas recommandé.

HYGIÈNE

Pour éviter les odeurs et les dépôts qui pourraient s'accumuler dans le lave-vaisselle, lancer le programme Autonettoyant (sans vaisselle à l'intérieur) au moins une fois par mois (voir OPTIONS ET FONCTIONS).

RÉSISTANCE AU GEL

Si l'appareil est installé dans une pièce exposée au risque de gel, vidangez-le complètement. Fermez la valve d'eau, retirez les tuyaux d'arrivée et de vidange, puis laissez l'eau s'écouler. Assurez-vous que l'adoucisseur d'eau est plein de sel régénérant dissous dans le réservoir de sel, pour protéger l'appareil des températures pouvant aller jusqu'à -20°C. Si l'appareil a été conservé dans des conditions de gel, il doit rester à une température ambiante de 5°C minimum pendant au moins 24 heures avant la première utilisation.

TABLEAU DES PROGRAMMES

Programme	Description des programmes	Séchage Natural-Dry	Options disponibles *)	Durée du programme de lavage (h:min)**)	Consommation d'eau (l/cycle)	Consommation d'énergie (kWh/cycle)
Eco	Eco 50° - Le programme Eco est adapté pour nettoyer la vaisselle normalement sale. Pour cette utilisation, c'est le programme qui a une consommation d'eau et d'énergie la plus optimale. Il est utilisé pour évaluer la conformité à la législation européenne en matière d'éco-conception.	✓		4:00	9,5	0,65
	Rapide 45° - Ce programme est recommandé pour une quantité limitée de vaisselle légèrement sale sans résidus d'aliments séchés. N'inclut pas de phase de séchage.	-		0:30 - 0:40	10,0 - 12,0	0,55 - 0,65
	Cristal 45° - Programme pour la vaisselle délicate, plus sensible aux températures élevées, comme les verres et les tasses.	✓		1:40 - 1:50	12,5 - 16,5	0,95 - 1,20
	Intensif Auto 65° - Programme automatique pour la vaisselle et les casseroles très sales.	✓		2:25 - 3:10	15,5 - 24,5	1,30 - 1,70
	Mixte Auto 55° - Programme automatique pour de la vaisselle normalement sale avec des résidus d'aliments séchés.	✓		1:20 - 3:00	7,5 - 19,5	0,75 - 1,20
	Rapide Auto 50° - Programme automatique pour de la vaisselle normalement et légèrement sale. Le cycle quotidien qui assure un nettoyage optimal et des performances de séchage en moins de temps.	✓		1:00 - 1:50	7,5 - 15,5	0,70 - 1,10
	Prélavage - Utilisez ce programme pour rafraîchir la vaisselle qui sera lavée plus tard. N'utilisez pas de détergent avec ce programme.	-		0:12	4,5	0,10
	Autonettoyant 65° - Programme à utiliser pour effectuer l'entretien du lave-vaisselle, à réaliser uniquement lorsque le lave-vaisselle est VIDE en utilisant des détergents spécifiques conçus pour l'entretien du lave-vaisselle.	-		1:15	11,0	1,10

Les données du programme Eco sont mesurées sous des conditions en laboratoire conformément à la norme européenne EN 60436:2020.

Note pour les laboratoires d'essai : pour toutes informations sur les conditions d'essai comparatif EN, s'adresser à : dw_test_support@whirlpool.com.

Aucun prétraitement de la vaisselle n'est nécessaire avant l'un quelconque des programmes.

*) Les options ne peuvent pas toutes être utilisées en même temps.

**) Les valeurs indiquées pour des programmes différents du programme Eco sont fournis à titre indicatif uniquement. Le temps réel peut varier selon des facteurs comme la température et la pression de l'eau, la température de la pièce, la quantité de détergent, la quantité et le type de vaisselle, l'équilibre de la charge, les options supplémentaires sélectionnées, et la calibration du capteur. La calibration du capteur peut augmenter la durée du programme jusqu'à 20 minutes.

OPTIONS ET FONCTIONS

Les OPTIONS peuvent être sélectionnées/désélectionnées, après avoir choisi le programme, directement en appuyant sur la touche correspondante (si disponibles - les témoins s'allument) (voir le PANNEAU DE COMMANDE). Si une option n'est pas compatible avec le programme sélectionné (voir TABLEAU DES PROGRAMMES), le voyant correspondant clignote 3 fois et un bip se fait entendre. La fonction n'est pas activée. Une option peut changer le temps ou la consommation d'eau ou d'énergie du programme.

POWER CLEAN® - Grâce aux jets haute pression supplémentaires, cette option fournit un lavage plus intensif et puissant dans le panier inférieur, dans la zone spécifique. Elle est recommandée pour le lavage des poêles et des casseroles (Voir la section de chargement Power Clean®).

DEMI-CHARGE - S'il n'y a pas trop de vaisselle à laver, une option DEMI-CHARGE est utilisée pour économiser de l'eau, de l'électricité et du temps en fonction du programme choisi.

Rappelez-vous de diminuer de moitié la quantité de détergent.

EXTRA SEC - Une température supérieure pendant le rinçage final et une phase de séchage prolongée permettent un séchage amélioré. L'option EXTRA SEC prolonge le cycle de lavage.

SILENCIEUX - Adéquat lorsque l'appareil fonctionne la nuit. Cette option peut être utilisée pour limiter les émissions de bruit pendant les phases de lavage. Elle augmentera la durée du cycle en fonction de la sélection du cycle de base.

RINÇAGE ANTIBACTÉRIEN - Cette option peut être utilisée pour assainir la vaisselle lavée. Cela augmentera la température de rinçage finale et ajoutera un lavage anti-bactérien au programme sélectionné. Idéal pour laver la vaisselle et les biberons. La porte du lave-vaisselle doit être fermée tout au long du cycle pour garantir que la quantité de germes est bien diminuée. **AVERTISSEMENT : la vaisselle et les plats peuvent être très chaud à la fin du cycle.**

DÉPART DIFFÉRÉ - Le début du programme peut être différé entre 30 minutes et 24 heures.

- Sélectionnez un programme et les options souhaités. Appuyez sur la touche DÉPART DIFFÉRÉ (plusieurs fois) pour retarder le début du programme. Réglable de 0:30 à 24 heures. Une fois que le réglage de 24 heures est atteint, appuyez encore une fois sur DÉPART DIFFÉRÉ pour désactiver la fonction DÉPART DIFFÉRÉ.
- Appuyez sur la touche DÉPART/Pause et fermez la porte dans un délai de 4 sec. La minuterie commence le compte à rebours.
- Une fois le temps écoulé, le voyant s'éteint et le programme démarre automatiquement.

La fonction DÉPART DIFFÉRÉ ne peut pas être modifiée lorsque le programme est en cours.

TEMPS RESTANT AU SOL - Un témoin à LED projeté sur le sol indique le temps restant jusqu'à la fin du cycle. Le voyant s'éteint chaque fois que la porte est ouverte. Le voyant s'éteint à la fin d'un cycle. Cette fonction est active par défaut, mais il est possible de la désactiver dans le « MENU DE RÉGLAGE ».

DÉTARTRAGE - Alarme - Une accumulation de tartre a été détectée sur des composants internes de l'appareil. Vérifier si le **Réglage de Dureté** de l'eau est à la valeur correcte et si **du sel est présent dans le réservoir de sel** (voir PREMIÈRE UTILISATION), puis **utiliser un produit détartrant** (la marque WPro est recommandée) avec le **programme Autonettoyant**. Après un détartrage réussi, l'icône s'éteindra. Si les actions ci-dessus ne sont pas réalisées, les performances du produit se détérioreront. Un avertissement de « Détartrage » commencera à clignoter et une alarme « **dES** » apparaîtra sur l'écran. Si aucune action n'est entreprise, l'appareil pourra encore effectuer quelques cycles de lavage (nombre indiqué pendant l'affichage de l'alarme « **dES** ») puis il sera **BLOQUÉ** pour éviter les dommages aux composants, avec seulement le **programme Autonettoyant disponible**. La réalisation d'un détartrage complet déblocuera le produit. En cas de quantités très importantes de tartre, il est possible de devoir lancer deux fois successivement le programme Autonettoyant pour que le détartrage soit efficace.

NaturalDry - C'est un système de séchage à convection qui ouvre automatiquement la porte pendant/après la phase de séchage pour assurer une performance de séchage exceptionnelle chaque jour. La porte s'ouvre à la température qui est sûre pour les meubles de votre cuisine, donc la porte ne sera pas ouverte quand l'option RINÇAGE ANTIBACTÉRIEN sera activée. A titre de protection supplémentaire contre la vapeur, un adhésif anti-vapeur spécifiquement conçu est livré avec le lave-vaisselle. Pour voir comment poser cet adhésif, consulter le GUIDE D'INSTALLATION. Cette fonction est active par défaut, mais il est possible de la désactiver dans le « MENU DE RÉGLAGE ».

ROBINET D'EAU FERMÉ - Alarme
Clignote lorsqu'il n'y a pas d'arrivée d'eau ou que le robinet d'eau est fermé.

DÉTECTION - Lorsque le capteur détecte le niveau de saleté, une animation apparaît sur l'écran (environ 20 min.) et la durée du cycle est mise à jour. La DÉTECTION est destinée au niveau de salissure de la vaisselle et elle est présente pour tous les cycles de lavage (excepté Eco) en ajustant le programme en conséquence.

CHARGEMENT DES PANIERS

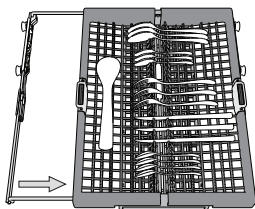
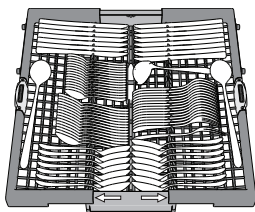
CAPACITÉ : 15 couverts standards

COMPARTIMENT À COUVERT

Le troisième panier a été conçu pour contenir les couverts. Placez les couverts comme illustré sur le dessin ci-contre. Séparer les couverts facilite le rangement après le cycle de lavage et améliore les programmes de lavage et de séchage.

Les couteaux et autres ustensiles avec des bords tranchants doivent être placés dans le panier à couvert avec la pointe vers le bas.

Le panier à couvert comprend deux paniers coulissants sur les côtés pour optimiser l'utilisation de l'espace disponible et permettre le chargement de grands articles dans sur le panier supérieur.

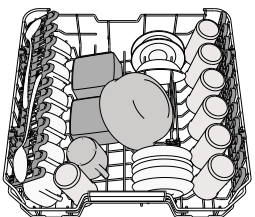


PANIER SUPÉRIEUR

Chargez la vaisselle délicate et légère: verres, tasses, soucoupes, saladiers bas.

Le panier supérieur comprend des supports rabattables qui peuvent être utilisés dans une position verticale lorsque vous placez les assiettes à thé ou à dessert, ou abaissée pour charger les bols et autres récipients.

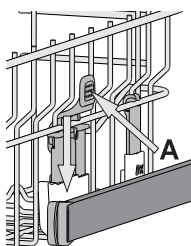
(exemple de chargement du panier supérieur)



Ajuster la hauteur du panier supérieur

Vous pouvez ajuster la hauteur du panier supérieur : position élevée pour placer la vaisselle encombrante sur le panier inférieur et éviter les chocs avec le panier supérieur ; en créant plus d'espace en hauteur.

Le panier supérieur comprend un **dispositif de réglage de la hauteur** (voir figure). Sans appuyer sur les leviers, soulevez simplement le panier supérieur en le tenant par les côtés jusqu'à ce qu'il soit stable en position élevée. Pour abaisser le panier, appuyez sur les leviers **A** sur les côtés du panier et déplacez-le vers le bas.



Nous vous conseillons fortement de ne pas ajuster la hauteur du panier lorsqu'il est chargé.

Ne JAMAIS soulever ou abaisser un seul côté du panier.

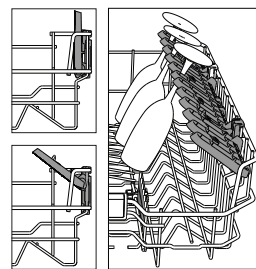
Volets pliables avec positions ajustables

Les volets pliables latéraux peuvent être pliés ou dépliés afin d'optimiser la disposition de la vaisselle à l'intérieur du panier.

Les verres de vin peuvent être placés de façon sécuritaire dans les volets pliables en insérant le pied de chaque verre dans la fente correspondante.

Selon le modèle :

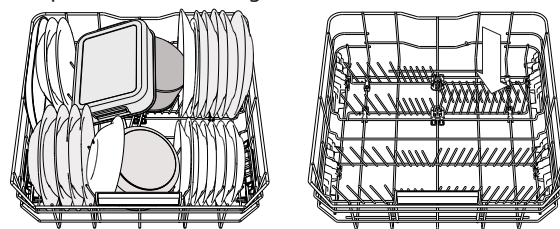
- pour déplier les volets, il est nécessaire de les coulisser vers le haut et de les tourner ou de les libérer des fixations et de les tirer vers le bas.
- pour replier les volets, il est nécessaire de les tourner et de les faire coulisser vers le bas ou de les tirer vers le haut et de les accrocher aux fixations.



PANIER INFÉRIEUR

Pour les poêles, les couvercles, les plats, les saladiers, les couverts, etc. Les grands plats et les grands couvercles devraient être placés sur le côté pour éviter qu'ils n'entravent le fonctionnement des bras d'aspersion.

Le panier inférieur comprend des supports rabattables qui peuvent être placés en position verticale pour charger des assiettes, ou en position horizontale (bas) pour faciliter le chargement des casseroles et des saladiers.



(exemple de chargement du panier inférieur)

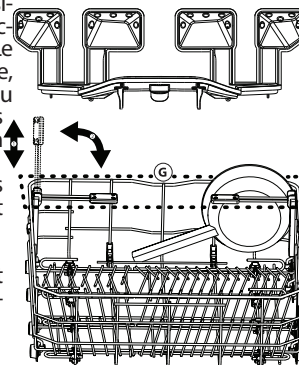
POWER CLEAN®

Power Clean® utilise des jets d'eau spéciaux, situés à l'arrière de la cavité, pour laver les articles très sales avec une intensité plus élevée. Le panier inférieur comprend une zone d'espace, un support spécial qui se trouve à l'arrière du panier, qui peut être utilisé pour supporter les poêles à frire et les moules dans une position verticale, prenant ainsi moins de place. Placer les poêles et les casseroles face aux jets Power Clean® situés à l'arrière de la cuve et activez **POWER CLEAN** sur le bandeau.

Comment utiliser Power Clean®.

1. Réglez la zone Power Clean® (**G**) en rabattant les supports pour assiettes arrières pour charger des casseroles.
2. Chargez les grands plats et les casseroles en les inclinant à la verticale dans la zone Power Clean®.

Les casseroles doivent être inclinées dans la direction des jets d'eau haute pression.



NETTOYAGE ET ENTRETIEN

NETTOYER L'ENSEMBLE FILTRE

Nettoyez régulièrement l'ensemble filtre pour éviter qu'il ne se bouche et pour permettre aux eaux usées de bien s'éliminer.

L'utilisation du lave-vaisselle avec des filtres obstrués ou des corps étrangers à l'intérieur du système de filtration ou des bras de lavage peut provoquer un dysfonctionnement du lave-vaisselle en réduisant l'efficacité de lavage, en augmentant le bruit de fonctionnement et la consommation d'électricité.

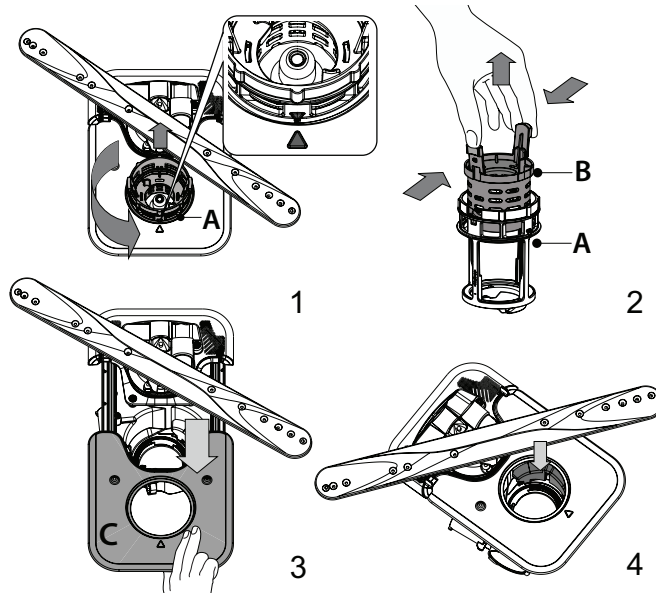
L'ensemble filtre comprend trois filtres qui séparent les résidus de nourriture de l'eau de lavage pour ensuite faire circuler l'eau.

N'utilisez pas le lave-vaisselle sans les filtres ou si un filtre est mal ajusté.

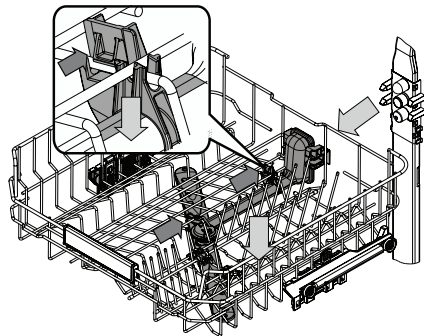
Au moins une fois par mois ou tous les 30 cycles, vérifiez l'assemblage du filtre et si nécessaire, nettoyez-le minutieusement sous l'eau courante, en utilisant une brosse non-métallique et en suivant les instructions ci-dessous:

1. Tournez le filtre cylindrique **A** dans le sens antihoraire et retirez-le (Fig. 1).
- Il est important lors de la réinstallation du filtre que les deux triangles indiqués sur le zoom (Fig. 1) correspondent.
2. Enlevez le panier du filtre **B** en appliquant une légère pression sur les volets latéraux (Fig. 2).
3. Retirez la plaque du filtre en acier inoxydable **C** (Fig. 3).
4. Si vous trouvez des objets étrangers (comme du verre brisé, de la porcelaine, des os, des pépins de fruits, etc), enlevez-les minutieusement.
5. Inspecter la cavité et enlever les résidus de nourriture. **NE JAMAIS ENLEVER** la protection de la pompe du cycle de lavage (indiqué par la flèche) (Fig 4).

Après avoir nettoyé les filtres, assemblez de nouveau l'ensemble filtre et remettez-le en place correctement; c'est très important pour que le lave-vaisselle garde son efficacité.

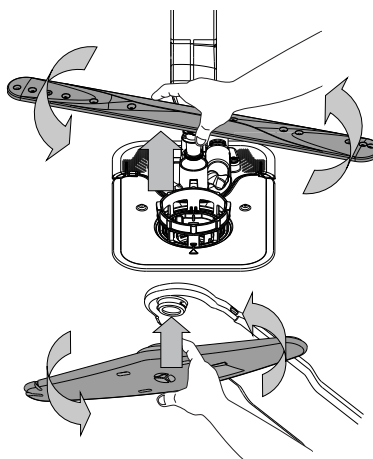


NETTOYER LES BRAS D'ASPERSION



À l'occasion, des résidus de nourriture s'incrustent dans les bras d'aspersion et bloquent les trous utilisés pour asperger de l'eau. Il est donc conseillé de vérifier les bras de temps en temps et de les nettoyer avec une petite brosse non métallique.

Pour démonter le bras d'aspersion intermédiaire, il faut déclipser l'ensemble collecteur d'eau situé sous le panier supérieur.



Le bras d'aspersion inférieur se démonte en le tirant vers le haut, tout en le tournant dans le sens inverse des aiguilles d'une montre. Pour remonter le bras d'aspersion inférieur, il faut le pousser vers le bas tout en le tournant dans le sens des aiguilles d'une montre.

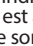
Le bras d'aspersion supérieur se démonte en le tirant vers le bas, tout en le tournant dans le sens inverse des aiguilles d'une montre.

Pour remonter le bras d'aspersion supérieur, il faut le pousser vers le haut tout en le tournant dans le sens des aiguilles d'une montre.

DÉPANNAGE

Si votre lave-vaisselle ne fonctionne pas correctement, vérifiez si le problème peut être résolu en suivant la liste ci-après. Pour d'autres erreurs ou problèmes, contactez le Service après-vente agréé dont les coordonnées peuvent être trouvées dans le livret de garantie. Les pièces de rechange seront disponibles pour une période allant jusqu'à 7 ou jusqu'à 10 ans, selon les exigences spécifiques du règlement.

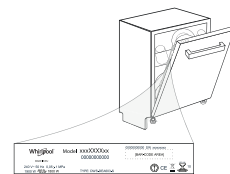
PROBLÈMES	CAUSES POSSIBLES	SOLUTIONS
L'indicateur de sel est allumé	Le réservoir de sel est presque vide.	Remplissez le réservoir de sel régénérant (voir <i>REEMPLIR LE RÉSERVOIR DE SEL</i>). Réglez la dureté de l'eau (voir <i>TABLEAU DE DURETÉ DE L'EAU</i>).
Le voyant de niveau de sel clignote	Le réservoir de sel est vide.	Remplissez le réservoir avec du sel dès que possible. L'utilisation de l'appareil sans sel peut provoquer des dommages à ses composants internes.
Le voyant de liquide de rinçage est allumé ou clignote	Le distributeur de liquide de rinçage est vide. (Après le remplissage, il est possible que le voyant du liquide rinçage reste allumé pendant un certain temps).	Remplissez le distributeur avec du liquide de rinçage (voir <i>REEMPLIR LE DISTRIBUTEUR DE LIQUIDE DE RINÇAGE</i>).
Le voyant de détartrage est allumé ou clignote; L'alarme « des » s'affiche.	Du calcaire s'accumule sur les composants internes de l'appareil.	Détartrez l'appareil immédiatement en utilisant le programme Autonettoyant et un produit détartrant disponible dans le commerce (voir <i>OPTIONS ET FONCTIONS</i>). Remplissez le réservoir avec du sel. Vérifiez le réglage de la dureté de l'eau. Si l'appareil n'est pas détartré, il arrêtera de fonctionner.
Le lave-vaisselle ou les commandes ne fonctionnent pas.	L'appareil n'est pas bien branché.	Insérez la fiche dans la prise de courant.
	Panne de courant.	Pour des raisons de sécurité, le lave-vaisselle ne redémarrera pas automatiquement lors du rétablissement du courant. Ouvrez la porte du lave-vaisselle, appuyez sur le touche DÉPART/Pause, et fermez la porte dans les 4 secondes.
	La porte du lave-vaisselle n'est pas fermée. La tige du système NaturalDry n'est pas rentrée.	Poussez vigoureusement la porte pour entendre le « clic ».
	Un cycle est interrompu en cas d'ouverture de la porte pendant plus de 4 secondes.	Appuyez sur DÉPART/Pause et fermez la porte dans les 4 secondes.
Le lave-vaisselle ne se vidange pas. L'afficheur indique: F7 E3 ou F9 E1	Le panneau de commande ne répond pas ou le message F6 E1 est affiché.	Éteignez l'appareil en appuyant sur la touche MARCHE-ARRÊT/Réinitialisation, rallumez-le environ une minute après, et redémarrez le programme. Si le problème persiste, débranchez l'appareil pendant 1 minute, puis rebranchez-le.
	Le filtre est bouché par des résidus de nourriture ou du calcaire.	Nettoyez le filtre et détartrez l'appareil (voir <i>NETTOYER L'ENSEMBLE FILTRE et INSTRUCTION POUR LE DÉTARTRAGE</i>).
	Le tuyau de vidange est plié. Le conduit de vidange de l'évier est bouché.	Vérifiez le tuyau de vidange (voir <i>INSTRUCTIONS D'INSTALLATION</i>). Nettoyez le conduit de vidange de l'évier.
Le lave-vaisselle fait beaucoup de bruit.	La vaisselle s'entrechoque.	Remplacez la vaisselle correctement (voir <i>CHARGEMENT DES PANIERS</i>).
	Une quantité de mousse excessive est présente.	Le détergent a été mal mesuré ou il n'est pas adéquat pour les lave-vaisselle (voir <i>REPLISSAGE DU DISTRIBUTEUR DE DÉTERGENT</i>). Relancez le cycle en cours en éteignant le lave-vaisselle, puis en le rallumant, sélectionnez un nouveau programme, appuyez sur MARCHE-ARRÊT et fermez la porte dans les 4 secondes. Merci de ne pas ajouter de détergent.
	La vaisselle n'a pas été bien rangée.	Remplacez la vaisselle correctement (voir <i>CHARGEMENT DES PANIERS</i>).
	Le filtre est bouché par des résidus de nourriture ou du calcaire.	Nettoyez l'ensemble de filtre (voir <i>NETTOYAGE ET ENTRETIEN</i>).
La vaisselle n'est pas propre.	La vaisselle n'a pas été bien rangée.	Remplacez la vaisselle correctement (voir <i>CHARGEMENT DES PANIERS</i>).
	Les bras d'aspersion ne tournent pas librement, ils sont gênés par la vaisselle.	Remplacez la vaisselle correctement (voir <i>CHARGEMENT DES PANIERS</i>). Vérifiez que le panier supérieur est dans la position correcte et ajuster le (lever) si nécessaire.
	Le cycle de lavage n'est pas assez intensif.	Sélectionnez le cycle de lavage approprié (voir <i>TABLEAU DES PROGRAMMES</i>).
	Une quantité de mousse excessive est présente.	Le détergent a été mal mesuré ou il n'est pas adéquat pour les lave-vaisselle (voir <i>REEMPLIR LE DISTRIBUTEUR DE DÉTERGENT</i>).
	Le bouchon du compartiment de liquide de rinçage n'est pas bien fermé.	Assurez-vous que le bouchon du distributeur de liquide de rinçage est fermé.
	Le filtre est bouché par des résidus de nourriture ou du calcaire.	Nettoyez le filtre et détartrez l'appareil (voir <i>NETTOYER L'ENSEMBLE FILTRE</i>).
	Le réservoir de sel est vide.	Remplir le réservoir de sel (voir <i>REEMPLIR LE RÉSERVOIR DE SEL</i>).

PROBLÈMES	CAUSES POSSIBLES	SOLUTIONS
L'eau n'arrive pas au lave-vaisselle. L'afficheur indique : H₂O et  est allumé ; une alarme sonore retentit.	L'alimentation d'eau est vide ou le robinet est fermé. Le tuyau d'arrivée d'eau est plié. Le tamis dans le tuyau d'arrivée d'eau est obstrué ; vous devez le nettoyer.	Assurez-vous qu'il y a de l'eau dans le circuit d'alimentation ou que le robinet est ouvert. Vérifiez le tuyau d'entrée (voir <i>INSTALLATION</i>). Ouvrez la porte du lave-vaisselle, appuyez sur la touche DÉPART/Pause, et fermez la porte dans les 4 secondes. Vérifiez et nettoyez le tamis dans le tuyau d'entrée d'eau. Ouvrez la porte du lave-vaisselle, appuyez sur la touche DÉPART/Pause, et fermez la porte dans les 4 secondes.
Le lave-vaisselle termine son cycle prématurément. L'afficheur indique : F8 E3 .	Le bouchon du compartiment de liquide de rinçage n'est pas bien fermé. Le tuyau de vidange est positionné trop bas ou se vide dans le système d'évacuation domestique. Une quantité de mousse excessive est présente. De l'air est présent dans l'alimentation en eau.	Nettoyez le filtre et détartrez l'appareil (voir <i>NETTOYER L'ENSEMBLE FILTRE et INSTRUCTION POUR LE DÉTARTAGE</i>). Vérifiez que le tuyau de vidange n'est pas trop engagé dans la canalisation murale du réseau d'évacuation des eaux usées (voir <i>INSTALLATION</i>). En cas d'un branchement du tuyau de vidange sur le syphon d'un évier de cuisine, il faut installer un dispositif anti retour pour éviter le risque de siphonnage du lave-vaisselle. Le détergent a été mal mesuré ou il n'est pas adéquat pour les lave-vaisselle (voir <i>REEMPLIR LE DISTRIBUTEUR DE DÉTERGENT</i>). Vérifiez si l'alimentation en eau présente des fuites ou d'autres problèmes laissant entrer de l'air.
La vaisselle n'est pas bien séchée.	Il n'y a pas de liquide de rinçage ou le dosage est trop faible. La vaisselle a été chargée après l'ouverture automatique de la porte mais avant la fin du cycle effectif. La vaisselle est positionnée trop à plat. Le cycle sélectionné n'a pas de phase de séchage. La vaisselle est anti-adhérente ou en plastique.	Assurez-vous que le distributeur de liquide de rinçage est rempli (voir <i>REEMPLIR LE DISTRIBUTEUR DE LIQUIDE DE RINÇAGE</i>). Les tablettes multifonctions ne donnent pas un résultat de séchage aussi bon que l'utilisation effective de liquide de rinçage. Assurez-vous que le cycle a pris fin avant de commencer à décharger la vaisselle (voir <i>UTILISATION QUOTIDIENNE</i>). Pour des résultats de séchage encore meilleurs, il est recommandé de laisser la vaisselle à l'intérieur du lave-vaisselle avec la porte ouverte pendant 15 minutes supplémentaires après la fin du cycle. Si vous constatez des flaques d'eau dans les cavités des tasses, mugs ou bols, essayez de charger la vaisselle (en particulier dans le panier supérieur) de manière plus inclinée pour permettre à l'eau de s'égoutter davantage avant que le séchage ne débute. Vérifiez sur le <i>TABLEAU DE PROGRAMMES</i> si le programme sélectionné est équipé dans la phase de séchage. Un cycle sans phase de séchage ne peut pas donner une efficacité de séchage souhaitée, il est donc recommandé de changer la sélection de cycle pour celle qui présente une phase de séchage. Il est normal qu'il reste quelques gouttes d'eau sur ce type de matériau.
La vaisselle et les verres ont des traces bleues ou des teintes bleutées.	Le dosage du liquide de rinçage est excessif.	Ajuster le dosage à une valeur inférieure.
Des traces de calcaire ou un film blanc sont présentes sur la vaisselle et les verres.	Le réservoir à sel est vide. Le réglage de la dureté de l'eau est trop bas. Le bouchon du réservoir de sel n'est pas bien fermé. Le réservoir de liquide de rinçage est vide ou le dosage de liquide de rinçage est insuffisant.	Remplissez le réservoir avec du sel dès que possible. L'utilisation de l'appareil sans sel peut provoquer des dommages à ses composants internes. Augmenter le réglage (voir <i>TABLEAU DURETÉ DE L'EAU</i>). Vérifiez et fermez le bouchon du réservoir de sel. Remplissez le distributeur avec du liquide de rinçage et vérifiez le réglage du dosage (pour plus d'informations - voir <i>REEMPLIR LE DISTRIBUTEUR DE LIQUIDE DE RINÇAGE</i>).
Le lave-vaisselle affiche F8 E5	La vanne est bloquée ou défectueuse.	Fermez le robinet d'eau, si possible. Ne coupez pas l'alimentation électrique. Appelez la maintenance.



Vous trouverez les documents normatifs, la documentation standard, le classement des pièces de rechange et des informations supplémentaires sur les produits:

- En utilisant le QR code sur votre produit et visitant notre site web docs.whirlpool.eu
- En visitant notre site web parts-selfservice.whirlpool.com
- Vous pouvez également **contacter notre Service après-vente** (voir numéro de téléphone dans le livret de garantie). Lorsque vous contactez notre Service après-vente, veuillez indiquer les codes figurant sur la plaque signalétique de l'appareil.



Les informations relatives au modèle peuvent être trouvées en utilisant le QR-Code figurant sur l'étiquette énergétique. L'étiquette comprend également l'identifiant du modèle qui peut être utilisé pour consulter le portail du registre sur le site <https://eprel.ec.europa.eu>.





DANKE, DASS SIE SICH FÜR EIN WHIRLPOOL PRODUKT ENTSCHIEDEN HABEN.
Für eine umfassendere Unterstützung melden Sie Ihr Gerät bitte an unter: www.whirlpool.eu/register

Diese Sicherheits- und Installationsanweisungen vor dem Gebrauch aufmerksam durchlesen. Weitere Informationen über Ihr Produkt sind auf folgender Website verfügbar: docs.whirlpool.eu heruntergeladen werden.

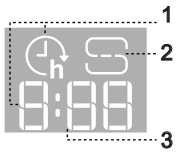
Denken Sie nach der Installation daran, sämtliche Teile zum Transportschutz aus dem Geschirrspüler zu entfernen.

BEDIENTAFEL



- EIN-AUS/Reset** Taste mit Anzeigelicht
- Eco-Programm**-Taste mit Anzeigelicht
- Rapid-Programm**-Taste mit Anzeigelicht/ **Vorwäsche-Programm** - 3 s drücken
- Kristall-Programm**-Taste mit Anzeigelicht/ **Selbstreinigend Programm** - 3 s drücken
- Automatik-Programm**-Tasten mit Anzeigelichtern - **Auto-Intensiv 65°/ Auto-Gemischt 55°/ Auto-Schnell 50°**
- Anzeigelicht für **Salzbehälter** leer
- Anzeigelicht für **Klarspüler** leer
- Display**
- Programmnummer** und **verbleibende Zeitanzeige**
- Wasserhahn** zu Anzeigelicht
- ENTKALKEN** - Anzeigelicht
- Extra-Optionen**-Tasten mit Anzeiglichtern - **Halbe Füllmenge/ Leiser Betrieb/ Sani Spülung**
- Power Clean®-Optionstaste** mit Anzeigelicht
- Extra Trocken-Optionstaste** mit Anzeigelicht/ **Einstellungen** - 3 s drücken
- Startvorwahl-Optionstaste** mit Anzeigelicht
- START/Pause** - Taste mit Anzeigelicht

ANZEIGE AM BODEN



- Verzögerungszeit am Boden** - zeigt an, wie viel Zeit bis zum Programmstart bleibt, wenn die Verzögerungsoption gewählt wurde
- Salzbehälter leer** - Anzeigelicht am Boden
- Verbleibende Zeit am Boden** - zeigt an, wie viel Zeit bis zum Programmende bleibt

ERSTER GEBRAUCH

EINSTELLUNGSMENÜ

- Gerät mit der **EIN-AUS** Taste einschalten.
- Halten Sie die **Einstellungen** (Extra Trocken) 3 Sekunden lang, bis Sie einen Piepton hören und das Display „**SET**“ anzeigt.
- Nach einer Sekunde wird die erste verfügbare Einstellung (Buchstabe „h“) angezeigt.
- Drücken Sie **Automatik-Programm/Extra-Optionen** zum Durchblättern der Liste der verfügbaren Einstellungen (siehe Tabelle unten). Drücken Sie dann **START/Pause**, um den Wert der aktuell ausgewählten Einstellung zu ändern.
- Drücken Sie **Automatik-Programm/Extra-Optionen**, um den Wert zu ändern, dann drücken Sie **START/Pause**, um den neuen Wert zu speichern.
- Zum Ändern einer weiteren Einstellung wiederholen Sie die Punkte 2 und 5.
- Drücken Sie **EIN-AUS** oder warten Sie 30 Sekunden, um das Menü zu verlassen.

BUCHSTABE	EINSTELLUNG	WERTE (Standard - fettgedruckt)
h	Wasserhärtegrad (siehe "WASSERHÄRTE EINSTELLEN" und "WASSERHÄRTE-TABELLE")	1 2 3 4 5
h	Dosierstufe des Klarspülers (siehe "KLARSPÜLERDOSIERUNG")	0 1 2 3 4 5
h	NaturalDry (siehe "OPTIONEN UND FUNKTIONEN") "1" = Ein, "0" = Aus	1 0
h	Zeit am Boden (siehe "OPTIONEN UND FUNKTIONEN") "1" = Ein, "0" = Aus	1 0
h	Ton "1" = Ein, "0" = Aus	1 0
h	Werkseinstellungen Drücken Sie START/Pause zum Rückstellen aller Werte der Einstellungen im Einstellungs-menü auf die Standardwerkseinstellung.	-

SALZBEHÄLTER BEFÜLLEN

Mit der Verwendung von Salz werden KALKABLAGERUNGEN auf dem Geschirr und den funktionalen Komponenten des Geschirrspülers verhindert. Der Salzbehälter befindet sich im unteren Teil des Geschirrspülers (unter dem Unterkorb auf der linken Seite).

- DER SALZBEHÄLTER DARF NIE LEER SEIN!**
- Es ist wichtig, die Wasserhärte einzustellen.
- Salz muss eingefüllt werden, wenn auf der Bedienblende die **Anzeigeluchte der SALZNACHFÜLLANZEIGE** aufleuchtet.



- Ziehen Sie den Unterkorb heraus und schrauben Sie den Salzbehälterdeckel gegen den Uhrzeigersinn ab.
- Setzen Sie den Trichter auf (siehe Abbildung) und füllen Sie den Behälter bis zum Rand mit Salz (ca. 0,5 kg), es ist normal, wenn etwas Wasser ausläuft.
- Nur beim ersten Mal: Befüllen Sie den Salzbehälter mit Wasser.**

4. Den Trichter abnehmen und die Salzreste vom Öffnungsrand entfernen. Sicherstellen, dass der Deckel fest angeschraubt ist, so dass kein Spülmittel während dem Waschprogramm in den Behälter gelangt (dies könnte den

Wasserenthärter irreparabel beschädigen). **Lassen Sie jedes Mal, sobald Sie das Nachfüllen des Salzbehälters beendet haben, ein Programm laufen, um Korrosion zu vermeiden.**

Wasserhärte einstellen

Damit der Wasserenthärter perfekt arbeiten kann, muss die Wasserhärte je nach der aktuellen Wasserhärte in Ihrem Haus eingestellt werden. Diese Information erhalten sie bei Ihrem örtlichen Wasserversorger. Die werkseitige Einstellung ist „3“ für eine durchschnittliche Wasserhärte. Zum Ändern befolgen Sie die Anweisungen im Abschnitt „EINSTELLUNGSMENÜ“. **Verwenden Sie bitte nur Spezzialsalz für Geschirrspüler.**

Stufe	Wasserhärte-Tabelle		
	°dH Deut. Härtegr.	°fH Französischer Härtegr.	°Clark Engl. Härtegr.
1 (weich)	0 - 6	0 - 10	0 - 7
2 (mittel)	7 - 11	11 - 20	8 - 14
3 (durchschnittlich)	12 - 16	21 - 29	15 - 20
4 (hart)	17 - 34	30 - 60	21 - 42
5 (sehr hart)	35 - 50	61 - 90	43 - 62

Nach dem Einfüllen des Salzes erlischt die SALZNACHFÜLLANZEIGE. **Wenn der Salzbehälter nicht gefüllt ist, könnten Kesselsteinablagerungen den Wasserenthärter und das Heizelement beschädigen. Die Verwendung von Salz wird bei jeder Art von Geschirrspülmittel empfohlen.**

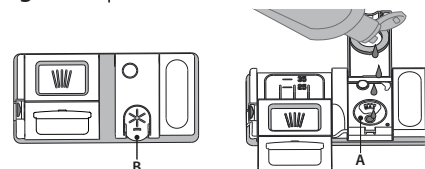
WASSERENTHÄRTUNG

Der Wasserenthärter reduziert automatisch die Wasserhärte, verhindert Kesselsteinablagerungen am Heizelement und trägt somit zu einer höheren Reinigungsleistung bei. **Dieses System regeneriert sich mit Salz, daher ist es erforderlich, Salz in den Behälter zu füllen, wenn dieser leer ist.** Die Regenerierungshäufigkeit hängt von eingestellten Stufe für die Wasserhärte ab - die Regenerierung findet einmal alle 4-6 Eco-Zyklen bei Wasserhärte auf 3 statt. Der Regenerationsprozess findet zu Beginn des Programms mit zusätzlichem Frischwasser statt.

- Eine einzelne Regeneration verbraucht: ~3 l Wasser;
- Das Programm dauert bis zu 5 Minuten länger;
- Energieverbrauch unter 0,005 kWh.

KLARSPÜLERSPENDER AUFFÜLLEN

Klarspüler macht das TROCKNEN von Geschirr einfacher. Der Klarspülerspender **A** muss aufgefüllt werden, wenn das **KLARSPÜLER AUFFÜLLEN Anzeigelicht** auf der Bedienblende leuchtet.



- Den Behälter **B** durch Drücken und Anheben der Zunge am Deckel öffnen.
- Den Klarspüler vorsichtig bis zur maximalen Füllstandsmarkierung (110 ml) an der Füllöffnung einfüllen und ein Überlaufen vermeiden.

Andernfalls sofort mit einem trockenen Tuch abwischen.
3. Den Deckel schließen bis er einrastet.
Füllen Sie den Klarspüler NIEMALS direkt ins Innere des Geschirrspülers.

Klarspülerdosierung

Sollte das Trockenergebnis unzufrieden stellend sein, kann die Klarspülerdosierung neu eingestellt werden.

Zum Ändern befolgen Sie die Anweisungen im Abschnitt „EINSTELLUNGSMENÜ“.

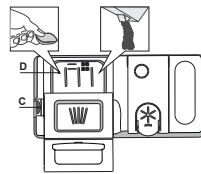
Die Klarspülerstufe kann auf NULL eingestellt werden. In diesem Fall wird kein Klarspüler ausgegeben. **Die Kontrollleuchte zur ANZEIGE DES FEHLENDEN KLARSPÜLERS** leuchtet nicht mehr auf.

Je nach Gerätemodell können bis max. 6 Stufen eingestellt werden.

- Wenn Sie bläuliche Streifen auf dem Geschirr sehen, stellen Sie eine niedrigere Zahl ein (0-3).
- Wenn Wassertropfen oder Kalkablagerungen auf dem Geschirr sind, eine höhere Zahl einstellen (4-5).

EINFÜLLEN DES SPÜLMITTELS

Zum Öffnen des Spülmittelbehälters den Öffnungsmechanismus C drücken. Füllen Sie das Spülmittel ausschließlich in das trockene Fach D ein. Die für den Vorspülgang benötigte Spülmittelmenge wird direkt in den Geschirrspüler gegeben.



1. Hinsichtlich der Dosierung verweisen wir auf die zuvor erwähnte Information, in der die richtige Menge angegeben ist. Im Fach D sind Anzeigen die bei der Spülmitteldosierung helfen.
2. Entfernen Sie eventuelle Spülmittelrückstände von den Kanten der Kammern und schließen Sie den Deckel so, dass er einrastet.
3. Schieben Sie den Deckel der Spülmittelkammer zum Schließen nach oben, bis er einrastet.

Die Spülmittelkammer öffnet sich automatisch zum richtigen Zeitpunkt des jeweils gewählten Programms.

Die Verwendung von Reinigungsmitteln, die nicht für Geschirrspüler bestimmt sind, kann zu Fehlfunktionen oder Schäden am Gerät führen.

TÄGLICHER GEBRAUCH

1. ANSCHLUSS AN DIE WASSERLEITUNG PRÜFEN

Sicherstellen, dass der Geschirrspüler an die Wasserleitung angeschlossen und der Wasserhahn auf ist.

2. SCHALTEN SIE DEN GESCHIRRSÜLER EIN

Tür öffnen und EIN-AUS-Taste drücken.

3. KÖRBE BELADEN (siehe KÖRBE BELADEN)

4. EINFÜLLEN DES SPÜLMITTELS

5. PROGRAMM WÄHLEN UND DAS PROGRAMM ANPASSEN

Das am besten geeignete Programm je nach Besteckart und Verschmutzungsgrad (siehe PROGRAMMBESCHREIBUNG) durch Drücken der gewählten PROGRAMM-Taste auswählen.

Die gewünschten Optionen auswählen (siehe OPTIONEN UND FUNKTIONEN). Nicht alle Optionen sind mit allen Programmen kompatibel.

6. START

Starten Sie das Spülprogramm mit der Taste START/Pause (LED leuchtet) und schließen Sie die Tür innerhalb von 4 Sek. Bei Programmstart ertönt ein einzelner Piepton. Wenn die Tür nicht innerhalb von 4 Sek. geschlossen wurde, ertönt der akustische Alarm. Öffnen Sie in diesem Fall die Tür, drücken Sie die Taste START/Pause und schließen Sie die Tür erneut innerhalb von 4 Sekunden.

7. ENDE DES SPÜLPROGRAMMS

Das Ende des Spülprogramms wird durch Pieptöne angegeben und auf dem Display erscheint END (ENDE). Die Tür öffnen und das Gerät mit der EIN-AUS-Taste ausschalten.

Vor Entnahme des Bestecks einige Minuten warten - um Verbrennungen zu vermeiden. Die Körbe entladen, mit dem Unteren beginnen.

ÄNDERN EINES LAUFENDEN PROGRAMMS

Wenn ein falsches Programm ausgewählt wurde, kann es geändert werden, wenn es gerade erst gestartet wurde. **RÜCKSETZEN** der Maschine: die EIN-AUS-Taste drücken und länger als 3 s gedrückt halten, um die Maschine auszuschalten. **Das Bedienfeld zeigt "0:01"**. Schließen Sie die Tür und warten Sie, bis der Waschgang «Schleudern und abpumpen» beendet ist (rund 1 Minute). Öffnen Sie die Tür und schalten Sie die Maschine mit der Taste EIN-AUS wieder ein. Wählen Sie das neue Spülprogramm und die gewünschten Optionen aus. Das Spülprogramm durch Drücken der Taste START/Pause starten und die Tür innerhalb von 4 s schließen.

HINZUFÜGEN VON WEITEREM GESCHIRR

Ohne die Maschine auszuschalten, die Tür erst leicht öffnen, um zu verhindern, dass Wasser herausspritzt (START/Pause LED beginnt zu blinken) (**Vorsicht!: Heißer Dampf!**) und das Geschirr in den Geschirrspüler geben. Die Taste START/Pause drücken und innerhalb von 4 Sek. die Tür schließen; das Programm läuft automatisch weiter, wo es unterbrochen wurde.

VERSEHENTLICHE UNTERBRECHUNGEN

Wird während des Spülgangs die Gerätetür geöffnet, oder sollte ein Stromausfall stattfinden, wird der Spülgang unterbrochen. **NUR, WENN SIE die START/Pause-Taste DRÜCKEN** und die Tür innerhalb von 4 s schließen, läuft das Programm automatisch weiter, wo es unterbrochen wurde.

HINWEISE UND TIPPS

EMPFEHLUNGEN

Bevor Sie das Geschirr in den Geschirrspüler einräumen, befreien Sie es von Speiserückständen und entleeren Sie Gläser und Behälter von Flüssigkeitsresten. **Es ist nicht notwendig, das Geschirr unter fließendem Wasser vorzuspülen.**

Stellen Sie das Geschirr so ein, dass es fest steht und nicht umfallen kann. Behälter müssen mit der Öffnung nach unten eingestellt werden und hohle oder gewölbte Teile müssen schräg stehen, damit das Wasser alle Oberflächen erreicht und dann abfließen kann.

Achtung: Achten Sie darauf, dass Deckel, Griffe, Töpfe und Tablett die Drehung der Sprüharme nicht behindern. Stellen Sie kleine Gegenstände in den Besteckkorb. Stark verschmutztes Geschirr und Töpfe sollten in dem Unterkorb untergebracht werden, da in diesem Bereich die Wasserstrahlen stärker sind und eine höhere Spüleistung garantieren. Stellen Sie nach Einräumen des Geschirrs sicher, dass sich die Sprüharme frei bewegen können.

UNGEEIGNETES GESCHIRR

- Besteck und Geschirr aus Holz.
- Empfindliche Dekorgläser, handgemachte Teller und antikes Geschirr. Die Dekore sind nicht spülmaschinenfest.
- Nicht temperaturbeständige Kunststoffteile.
- Geschirr aus Kupfer und Zinn.

Mit Asche, Wachs, Schmieröl oder Tinte verschmutztes Geschirr. Glasdekore, Aluminium- und Silberteile können während des Spülgangs die Farbe verändern und ausbleichen. Auch einige Glasarten (z.B. Kristallgegenstände) können nach mehreren Spülgängen matt werden.

SCHÄDEN AN GLAS UND GESCHIRR

- Spülen Sie nur Gläser und Geschirr in Ihrem Geschirrspüler, die vom Hersteller als spülmaschinenfest ausgezeichnet sind.
- Verwenden Sie ein Feinspülmittel für Geschirr.
- Nehmen Sie Gläser und Besteck so bald wie möglich nach Ablauf des Programms aus der Spülmaschine.

ENERGIESPARTIPPS

- Sofern man die Herstelleranweisungen beim Einsatz beachtet, **verbraucht das Waschen von Geschirr im Geschirrspüler in der Regel WENIGER ENERGIE und Wasser als Handspülen.**
- Um die Effizienz des Geschirrspülers zu maximieren, empfiehlt es sich, **das Spülprogramm bei voll beladenem Gerät zu starten.** Wenn der Geschirrspüler bis zur vom Hersteller angegebenen Kapazität beladen wird, hilft dies, Energie und Wasser zu sparen. Angaben über die korrekte Beladung von Geschirr finden Sie im Kapitel BELADEN DER KÖRBE. Bei Teilbeladung empfiehlt es sich, die speziellen Spülprogramme (Halbe Beladung / Zone Wash / Multizone) zu verwenden und nur die entsprechenden Körbe zu beladen. Bei einer fehlerhaften Beladung oder Überladung des Geschirrspülers könnten mehr Ressourcen verbraucht (z. B. Wasser, Energie und Zeit), der Geräuschpegel erhöht und die Reinigungs- und Trocknungsleistung verringert werden.
- Das manuelle Vorspülen von Geschirr führt zu erhöhtem Wasser- und Energieverbrauch und wird nicht empfohlen.

HYGIENE

Um Gerüche und Ablagerung, die sich in dem Geschirrspüler ansetzen können zu vermeiden, **bitte mindestens einmal monatlich ein Hochtemperaturprogramm laufen lassen.** Einen Teelöffel Spülmittel verwenden und ohne Geschirr laufen lassen, um Ihr Gerät zu reinigen.

FROSTSICHERHEIT

Steht das Gerät in einem frostgefährdeten Raum, so **muss es vollständig von Wasserentleert werden.** Wasserhahn schließen, Zu- und Ablaufschlauch lösen und das gesamte Wasser abpumpen. **Darauf achten, dass der Wasserenthärter mit gelöstem Regeneriersalz im Regeneriersalzbehälter gefüllt ist;** dies stellt einen wirksamen Geräteschutz gegen Temperaturen bis zu -20°C dar. Wenn das Gerät unter frostigen Bedingungen gelagert wurde, muss das Gerät vor dem ersten Spülgang **mindestens 24 Stundenlang** bei einer Umgebungstemperatur von min. 5 °C stehen bleiben.

PROGRAMMTABELLE

Pro-gramm	Programmbeschreibung	Trocken- phase	Natural- Dry	Verfügbare Zusatzfunktionen *)	Program- mdauer (Std:Min)**)	Wasser- verbrauch (Liter/ Zyklus)	Energie- verbrauch (kWh/ Zyklus)
Eco	Eco 50° - Das ECO-Programm eignet sich, um normal verschmutztes Geschirr zu reinigen. In Bezug auf den kombinierten Energie- und Wasserverbrauch ist es das effizienteste Programm, das auch zur Prüfung der Einhaltung der Ökodesign-Richtlinie verwendet wird.	✓	✓		4:00	9,5	0,65
	Rapid 45° - Das Programm wird für eine begrenzte Menge an leicht verschmutztem Geschirr ohne angetrocknete Lebensmittelrückstände empfohlen. Es umfasst keinen Trockengang.	-	✓		0:30 - 0:40	10,0 - 12,0	0,55 - 0,65
	Kristall 45° - Programm für empfindliches Geschirr, das empfindlicher auf hohe Temperaturen ist, zum Beispiel Gläser und Becher.	✓	✓		1:40 - 1:50	12,5 - 16,5	0,95 - 1,20
	Auto Intensiv 65° - Automatisches Programm für stark verschmutztes Geschirr und Töpfe.	✓	✓		2:25 - 3:10	15,5 - 24,5	1,30 - 1,70
	Auto Gemischt 55° - Automatisches Programm für normal verschmutztes Geschirr mit angetrockneten Lebensmittelrückständen.	✓	✓		1:20 - 3:00	7,5 - 19,5	0,75 - 1,20
	Auto Schnell 50° - Automatisches Programm für normal und leicht verschmutztes Geschirr. Täglicher Zyklus, der optimale Reinigungs- und Trockenleistung in kürzerer Zeit garantiert.	✓	✓		1:00 - 1:50	7,5 - 15,5	0,70 - 1,10
	Vorwäsche - Verwendet, um Geschirr einzuweichen, das später gespült werden soll. Für dieses Programm wird kein Spülmittel verwendet.	-	✓		0:12	4,5	0,10
	Selbstreinigend 65° - Programm, das für die Pflege des Geschirrspülers zu verwenden ist. Es ist nur bei LEEREM Geschirrspüler und mit speziellen Reinigungsmitteln für die Pflege des Geschirrspülers auszuführen.	-	-		1:15	11,0	1,10

Die ECO-Programmdaten sind Labormessdaten, die gemäß der europäischen Vorschrift EN 60436:2020 erfasst wurden. Hinweis für die Prüflabors: Informationen hinsichtlich der Bedingungen des EN-Vergleichstests sind unter nachfolgender Adresse anzufordern: dw_test_support@whirlpool.com Eine Vorbehandlung des Geschirrs ist vor keinem Programm erforderlich. *) Nicht alle Optionen können gleichzeitig verwendet werden. **) Werte, die für andere Programme als das ECO-Programm angegeben werden, sind nur Richtwerte. Die aktuelle Zeit kann auf Grundlage von mehreren Faktoren, wie Temperatur und Druck des eintretenden Wassers, Raumtemperatur, Spülmittelmenge, Menge und Art der Beladung, Lastausgleich, zusätzlich gewählte Optionen und Sensoreinrichtung variieren. Die Sensoreinrichtung kann die Programmdauer bis zu 20 Min. erhöhen.

OPTIONEN UND FUNKTIONEN

OPTIONEN können nach Auswahl des Programms direkt durch Drücken der jeweiligen Taste gewählt bzw. abgewählt werden (falls vorhanden - die Anzeige leuchtet auf) (siehe BEDIENFELD). Wenn eine Option nicht mit dem ausgewählten Programm kompatibel ist (siehe PROGRAMMTABELLE), blinken die entsprechenden LED 3 Mal schnell und ein Piepton ertönt. Die Option wird nicht aktiviert. Eine Option kann Zeit, Wasser oder Stromverbrauch für das Programm ändern.

POWER CLEAN® - Mit den zusätzlichen Powerdüsen bietet diese Option im dafür vorgesehenen Bereich im Unterkorb einen intensiveren und stärkeren Spülvorgang. Diese Zusatzfunktion ist ideal zum Reinigen von Töpfen und Brättern (Beachten Sie bitte den Power Clean® Beladungsbereich).

1/2 HALBE FÜLLMENGE - Haben Sie nur wenig Geschirr zu spülen, wählen Sie HALBE FÜLLMENGE. Sie sparen Wasser, Strom oder Zeit, je nach gewähltem Programm. **Denken Sie daran, die Spülmittelmenge zu verringern.**

EXTRA TROCKEN - Die höhere Temperatur während des letzten Spülgangs sowie die verlängerte Trockenphase gestatten eine verbesserte Trocknung. Die Option EXTRA TROCKEN verlängert die Programmdauer.

LEISER BETRIEB - Geeignet für den Nachtbetrieb des Gerätes. Diese Option kann verwendet werden, um die Geräuschemissionen während der Spülgänge zu beschränken. Sie erhöht die Zykluszeit abhängig von der Auswahl des Basisprogramms.

SANI SPÜLUNG - Diese Option kann verwendet werden, um gewaschenes Geschirr zu desinfizieren. Dabei wird die Spültemperatur am Ende erhöht und antibakterielles Waschen zu dem ausgewählten Programm zugefügt. Ideal zum Reinigen von Geschirr und Babyflaschen. Die Geschirrspülertür muss während des gesamten Programms geschlossen bleiben, um eine Verringerung der Keime zu sichern. **WARNUNG: Das Geschirr und die Teller können bei Programmende sehr heiß sein.**

STARTVORWAHL - Der Programmstart kann um eine Zeit von 0:30 bis 24 Stunden verzögert werden.
 1. Das Programm und die gewünschten Optionen auswählen. Die STARTVORWAHL-Taste (mehrfach) drücken, um den Programmstart zu verzögern. Einstellbar von 0:30 bis 24 Stunden. Sobald die 24-Stunden-Einstellung erreicht ist, drücken Sie noch einmal STARTVORWAHL, um die STARTVORWAHL-Funktion zu deaktivieren.
 2. Drücken Sie die Taste START/Pause-Taste und schließen Sie die Tür innerhalb von 4 Sekunden: die Zeitschaltuhr beginnt mit der Rückzählung.
 3. Nach Ablauf dieser Zeit, schaltet sich das Anzeigelicht aus und das Programm beginnt automatisch.
Bei bereits in Gang gesetztem Programm ist eine STARTVORWAHL nicht mehr möglich.

ZEIT AM BODEN - Ein auf den Boden projiziertes LED-Licht zeigt die bis zum Ende des Zyklus verbleibende Zeit an. Das Licht geht aus, sobald die Tür geöffnet wird. Das Licht erlischt am Ende eines Programms. Diese Funktion ist standardmäßig aktiv, sie kann jedoch im „EINSTELLUNGSMENÜ“ deaktiviert werden.

ENTKALKEN - Alarm - Es wurden Kalkablagerungen auf Innenbauteilen des Geräts festgestellt. Prüfen Sie, ob die **Wasserhärteeinstellung** auf dem korrekten Wert und Salz im Salzbehälter vorhanden ist (siehe ERSTER GEBRAUCH). **Verwenden Sie dann ein Entkalkungsmittel** (die Marke WPro wird empfohlen) mit dem **Selbstreinigungsprogramm**. Nach einer erfolgreichen Entkalkung wird das Symbol nicht mehr angezeigt. Falls oben genannte Maßnahmen nicht ausgeführt werden, verschlechtert sich die Produktleistung. Die «Entkalken» Warnung beginnt zu blinken und der «dES» Alarm erscheint auf dem Display. Wird weiter nicht unternommen, gestattet das Gerät nur den Start einer bestimmten Anzahl von Zyklen (während der «dES» Alarmanzeige angegeben) und wird dann **GESPERRT**, um eine Beschädigung von Bauteilen zu vermeiden. **Nur das Selbstreinigungsprogramm ist verfügbar**. Die Ausführung einer vollständigen Entkalkung hebt die Sperre des Produktes auf. Im Fall extrem großer Kalkmengen kann es erforderlich sein, das Entkalken zweimal auszuführen, damit es wirkt.

NaturalDry - das ist ein Heißlufttrocknungssystem, das die Tür während/nach der Trockenphase automatisch öffnet, um täglich hervorragende Trockenleistung sicherzustellen. Die Tür öffnet sich bei einer für Ihre Küchenmöbel sicheren Temperatur, daher wird die Tür nicht geöffnet, wenn die Option SANI SPÜLUNG eingeschaltet ist. Als zusätzlicher Dampfschutz wird dem Geschirrspüler eine speziell entwickelte Schutzfolie beigelegt. Für die Montage der Schutzfolie siehe INSTALLATIONSANLEITUNG. Diese Funktion ist standardmäßig aktiviert, aber sie kann in «EINSTELLUNGSMENÜ» deaktiviert werden.

ERKENNUNG - Wenn der Sensor den Grad der Verschmutzung erfasst, wird im Display eine Animation angezeigt (etwa 20 Minuten) und die Programmdauer wird aktualisiert. Sensing (Erkennung) erkennt die Stärke der Verschmutzung des Geschirrs und passt das Programm entsprechend an. Es ist für alle Zyklen (ausgenommen Eco (Öko) verfügbar.

WASSERHAHN ZU - Alarm - Blinkt, wenn kein Wasser einströmt oder wenn der Wasserhahn zu ist.

KÖRBE BELADEN

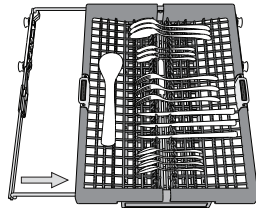
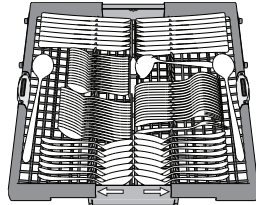
FASSUNGSVERMÖGEN: 15 Maßgedecke

BESTECKSCHUBLADE

Die dritte Schublade wurde für das Hineinlegen von Besteck entwickelt. Platzieren Sie das Besteck wie abgebildet. Eine getrennte Anordnung des Bestecks macht das Sortieren nach dem Spülen einfacher und verbessert die Spül- und Trockenleistung.

Messer und andere Küchenutensilien mit scharfen Spitzen sind mit nach unten gerichteten Schneiden einzuordnen.

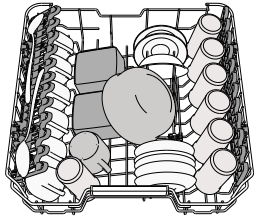
Der Besteckkorb hat zwei seitlichen Schubladen, um die Höhe des darunter liegenden Bereichs bestmöglich zu nutzen und das Laden von hohen Teilen in den Unterkorb zu ermöglichen.



OBERKORB

Hier sortieren Sie empfindliches und leichtes Geschirr ein: Gläser, Tassen, kleine Teller, flache Schüsseln. Der Oberkorb verfügt über klappbare Halterungen, die in vertikaler Stellung für Untertassen oder Dessertteller oder in einer tieferen Stellung für Schüsseln und sonstige Behältnisse verwendet werden können.

(Sortierbeispiel für den Oberkorb)



Höheneinstellung des Oberkorbes

Der Oberkorb kann in der Höhe verstellt werden: stellen Sie ihn in die oberste Position, wenn Sie großes Geschirr in den Unterkorb einräumen wollen. Wenn Sie eher die klappbaren Bereiche nutzen wollen, dann stellen Sie ihn in die untere Position. Somit vermeiden Sie Zusammenstoßen mit dem Geschirr im Unterkorb.

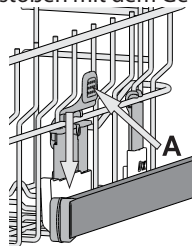
Der Oberkorb ist mit einem **Oberkorb Höhenversteller** (siehe Abbildung) ausgestattet.

Ohne Drücken der Hebel kann er einfach durch Heben der Korbseiten angehoben werden, sobald der Korb stabil in seiner unteren Stellung ist.

Um den Korb zurück in die untere Stellung zu bringen, drücken Sie die Hebel **A** an den Seiten des Korbs und schieben Sie ihn nach unten.

Es empfiehlt sich, die Höhe des Oberkorbes bei leerem Korb zu regulieren.

Heben oder senken Sie den Korb NIEMALS nur an einer Seite.



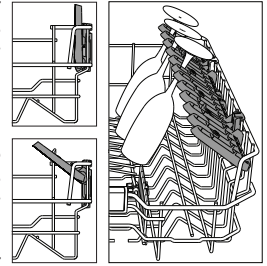
Klappbare Klappen mit verstellbarer position

Die seitlich, klappbaren Ablagen können ein- oder aufgeklappt werden, um die Anordnung des Geschirrs im Korb zu optimieren. Stielgläser können an den Ablagen stabilisiert werden, indem sie mit dem Stiel in die vorgesehene Aussparung gestellt werden.

Je nach Modell:

- Zum Ausklappen der Ablagen, müssen diese nach oben geschoben und gedreht oder aus den Schnappern gelöst und nach unten gezogen werden.

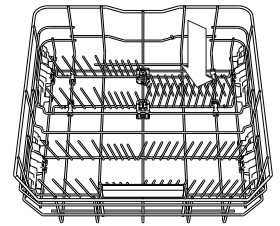
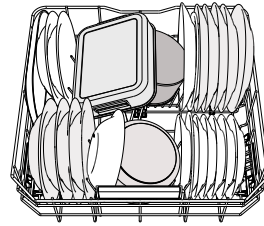
- Zum Einklappen der Ablagen, müssen diese gedreht und nach unten geschoben oder nach oben gezogen und an den Schnappern befestigt werden.



UNTERKORB

Für Töpfe, Deckel, Teller, Salatschüsseln, Besteck usw. Große Teller und Deckel sollten idealerweise an die Seiten gelegt werden, um nicht mit dem Sprüharm in Kontakt zu kommen.

Der Unterkorb verfügt über klappbare Ablagen, die in vertikaler Stellung für Teller oder in horizontaler (niedriger) Position für Pfannen und Salatschüsseln verwendet werden können.



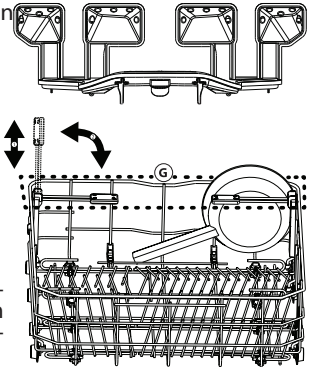
(Sortierbeispiel für den Unterkorb)

POWER CLEAN®

Bei Power Clean® sorgen spezielle Wasserdüsen hinten im Gerät für eine verstärkte Reinigung von stark verschmutztem Geschirr. Der Unterkorb hat eine Raumzone, eine spezielle Halterung zum Herausziehen an der Korbhinterseite, welche benutzt werden kann um Pfannen oder Backbleche in senkrechter Position zu halten, und so weniger Raum zu beanspruchen. Wenn die Töpfe/Bräter in Richtung Power Clean® eingelegt werden, bitte **POWER CLEAN** auf der Bedienblende aktivieren.

Verwendung von Power Clean®:

1. Passen Sie Power Clean®-Bereich G an, indem Sie die hinteren Tellerhalterungen herunterklappen, um Töpfe einzuladen.
2. Laden Sie Töpfe und Bräter senkrecht im Power Clean®-Bereich ein. Die Töpfe müssen mit der offenen Seite zu den Power-Sprühdüsen geneigt sein.



PFLEGE UND WARTUNG

REINIGUNG DER FILTEREINHEIT

Die Filtereinheit regelmäßig reinigen, damit die Filter nicht verstopfen und das Abwasser korrekt abfließen kann.

Wenn die Filter beim Einsatz des Geschirrspülers verstopft sind oder falls Fremdkörper im Filtersystem oder in den Spülarmen gelangen, könnten Störungen im Gerät auftreten, was zu Leistungseinbußen, lautem Betrieb oder höherer Ressourcennutzung führt.

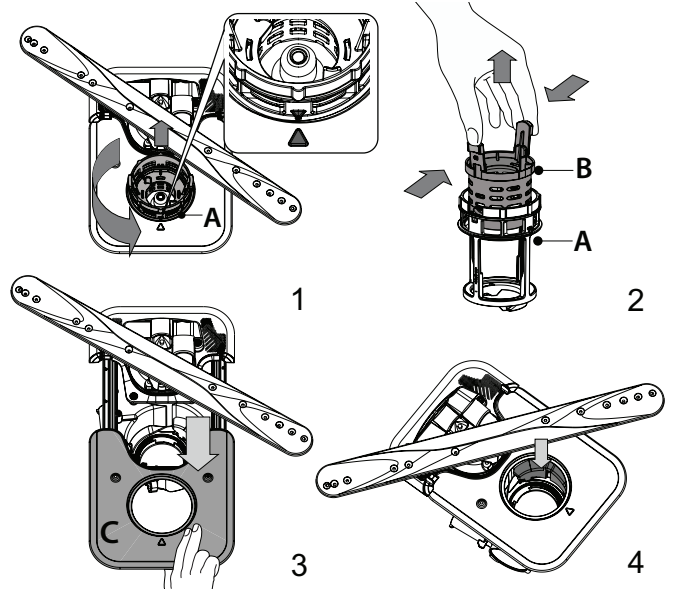
Die Filtereinheit setzt sich aus drei Filtern zusammen, die Spülwasser reinigen, von Speiseresten befreien und wieder in Umlauf bringen.

Der Geschirrspüler darf nie ohne Filtersiebe oder mit ausgehängten Filtern in Betrieb genommen werden.

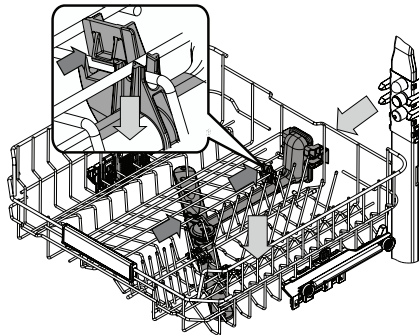
Kontrollieren Sie einmal monatlich oder nach 30 Zyklen die Filtersiebgruppe. Bei Bedarf ist diese sorgfältig unter laufendem Wasser auszuspülen. Nehmen Sie hierzu ein kleines Bürstchen (das nicht aus Metall sein darf) zu Hilfe. Gehen Sie wie folgt vor:

1. Drehen Sie das zylinderförmige Filtersieb **A** gegen den Uhrzeigersinn heraus (Abb. 1). **Beim Wiedereinbau des Filters müssen die beiden größer abgebildeten Dreiecke zueinander ausgerichtet sein.**
2. Ziehen Sie den Siebbecher **B** durch leichten Druck auf die seitlichen Flügel heraus (Abb. 2).
3. Nehmen Sie den Stahl-Siebteller **C** ab (Abb. 3).
4. Falls Sie Fremdkörper (wie Glasscherben, Porzellan, Knochen, Fruchtsamen usw.) finden, **entfernen Sie diese bitte sorgfältig.**
5. Kontrollieren Sie den Hohlraum und befreien Sie diesen von eventuellen Speiseresten. Das Spülpumpenschutzteil (siehe Pfeil) **NICHT ABGENOMMEN WERDEN** (Abb. 4).

Setzen Sie die Filtereinheit nach der Reinigung der Filtersiebe wieder korrekt in ihren Sitz ein, dies ist äußerst wichtig, um eine ordnungsgemäße Betriebsweise des Geschirrspülers zu gewährleisten.

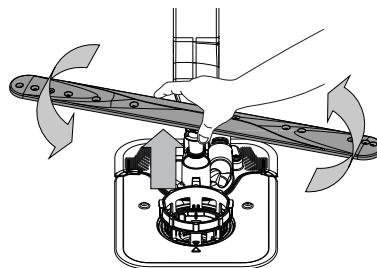


REINIGUNG DER SPRÜHARME

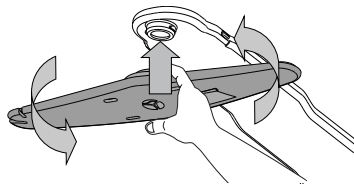


Es kann vorkommen, dass Speisereste an den Sprüharmen hängen bleiben und die Wasserdüsen verstopfen. Prüfen Sie die Sprüharme daher regelmäßig und reinigen Sie sie bei Bedarf mit einer Kunststoffbürste.

Zum Entfernen des oberen Sprüharms müssen sie diesen zusammen mit dem Anschlussstück entfernen.



Um den unteren Sprüharm abzunehmen, diesen nach oben ziehen und gegen den Uhrzeigersinn drehen. Der Sprüharm wird wieder eingebaut, indem er nach unten gezogen und im Uhrzeigersinn gedreht wird.




Um den oberen Sprüharm abzunehmen, diesen nach oben drücken und gegen den Uhrzeigersinn drehen. Der Sprüharm wird wieder eingebaut, indem er nach oben gezogen und im Uhrzeigersinn gedreht wird.

LÖSEN VON PROBLEMEN

Falls Ihr Geschirrspüler nicht richtig funktioniert, versuchen Sie, das Problem anhand der folgenden Liste zu beheben. Für andere Fehler oder Probleme wenden Sie sich bitte an den autorisierten Kundendienst, dessen Kontaktdaten im Garantieheft aufgeführt sind. Ersatzteile werden für einen Zeitraum von entweder bis zu 7 oder bis zu 10 Jahren verfügbar sein, je nach den spezifischen Anforderungen der Verordnung.

STÖRUNGEN	MÖGLICHE URSACHEN	LÖSUNG
Regeneriersalzanzeige leuchtet	Der Salzbehälter ist fast leer.	Befüllen Sie den Behälter mit Salz (weitere Informationen – siehe SALZBEHÄLTER BEFÜLLEN). Prüfen Sie die bei Bedarf die Wasserhärteeinstellung (siehe WASSERHÄRTE-TABELLE).
Regeneriersalzanzeige blinkt	Salzbehälter ist leer.	Den Behälter sobald wie möglich mit Salz nachfüllen. Der Gebrauch des Geräts ohne Salz kann Schäden an seinen Innenbauteilen verursachen.
Klarspüleranzeige leuchtet auf oder blinkt	Klarspülbehälter ist leer. (Nach dem Auffüllen kann es kurze Zeit dauern, bis die Klarspüleranzeige erlischt).	Befüllen Sie den Behälter mit Klarspüler (weitere Informationen – siehe KLARSPÜLERSPENDER AUF-FÜLLEN).
Entkalken-Anzeige leuchtet auf oder blinkt; der „dES“ Alarm wird angezeigt.	Kalk lagert sich an Innenbauteilen des Geräts ab.	Entkalken Sie das Gerät sofort mit dem Selbstreinigend-Programm und einem handelsüblichen Entkalkungsmittel (siehe OPTIONEN UND FUNKTIONEN). Befüllen Sie den Behälter mit Salz. Prüfen Sie die Wasserhärteeinstellung. Wird das Gerät nicht entkalkt, funktioniert es nicht mehr.
Die Spülmaschine startet nicht oder reagiert nicht auf die Bedieneingaben.	Das Gerät wurde nicht richtig eingesteckt.	Schließen Sie den Netzstecker an.
	Stromausfall.	Aus Sicherheitsgründen wird der Geschirrspüler nicht automatisch neu gestartet, wenn die Stromversorgung wiederhergestellt wird. Öffnen Sie die Tür des Geschirrspülers, drücken Sie die Taste START/Pause und schließen Sie die Tür erneut innerhalb von 4 Sekunden.
	Die Gerätetür schließt nicht. NaturalDry Pin ist nicht eingezogen.	Drücken Sie die Tür energisch, bis ein „Klicklaut“ zu hören ist.
	Ein Spülgang wird unterbrochen, wenn die Tür mehr als 4 Sekunden lang geöffnet wird.	START/Pause drücken und die Tür innerhalb von 4 Sekunden schließen.
Der Geschirrspüler pumpt das Wasser nicht ab. Das Display zeigt: F7 E3 oder F9 E1	Im Filtersieb haben sich Speisereste oder Kalk angesammelt.	Reinigen Sie den Filter und entkalken Sie das Gerät (siehe REINIGUNG DER FILTEREINHEIT und ENTKALKEN).
	Ablaufschlauch ist geknickt.	Den Ablaufschlauch prüfen (siehe INSTALLATIONSANWEISUNG).
	Der Ablauf des Spülbeckens ist verstopft.	Den Ablauf des Spülbeckens reinigen.
Der Geschirrspüler ist zu laut.	Das Geschirr schlägt aneinander.	Positionieren Sie das Geschirr korrekt (siehe KÖRBE BELADEN).
	Es ist zu viel Schaum vorhanden.	Das Spülmittel wurde nicht richtig dosiert oder ist für Geschirrspüler ungeeignet (siehe EINFÜLLEN DES SPÜLMITTELS). Starten Sie das laufende Programm durch Ausschalten des Geschirrspülers neu. Schalten Sie das Gerät wieder ein, wählen Sie ein neues Programm, drücken Sie START/Pause und schließen Sie die Tür innerhalb von 4 Sekunden. Kein Spülmittel zufügen.
	Das Geschirr wurde nicht korrekt eingeräumt.	Positionieren Sie das Geschirr korrekt (siehe KÖRBE BELADEN).
Das Geschirr ist nicht sauber geworden.	Im Filtersieb haben sich Speisereste oder Kalk angesammelt.	Die Filtereinheit reinigen (siehe PFLEGE UND WARTUNG).
	Das Geschirr wurde nicht korrekt eingeräumt.	Positionieren Sie das Geschirr korrekt (siehe KÖRBE BELADEN).
	Sprüharme können nicht frei drehen, werden durch das Geschirr blockiert.	Positionieren Sie das Geschirr korrekt (siehe KÖRBE BELADEN). Prüfen, dass der obere Korb in der richtigen Position ist und bei Bedarf einstellen (anheben).
	Das Spülprogramm ist zu schwach.	Ein geeignetes Spülprogramm wählen (siehe PROGRAMMTABELLE).
	Es ist zu viel Schaum vorhanden.	Das Spülmittel wurde nicht richtig dosiert oder ist für Geschirrspüler ungeeignet (siehe EINFÜLLEN DES SPÜLMITTELS).
	Der Stöpsel des Klarspülerbehälters wurde nicht korrekt geschlossen.	Sicherstellen, dass der Stöpsel des Klarspülerbehälters geschlossen ist.
Im Filtersieb haben sich Speisereste oder Kalk angesammelt.	Den Filter reinigen und das Gerät entkalken (siehe REINIGUNG DER FILTEREINHEIT).	
Der Salzbehälter ist leer.	Füllen Sie den Salzbehälter (siehe SALZBEHÄLTER BEFÜLLEN).	

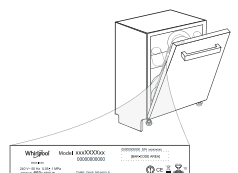
STÖRUNGEN	MÖGLICHE URSACHEN	LÖSUNG
Der Geschirrspüler lädt kein Wasser. Am Display erscheint: H20 und  leuchtet; ein akustischer Alarm ertönt.	Kein Wasser im Wassernetz oder zugezogener Wasserhahn.	Sicherstellen, dass Wasser im Wassernetz ist und der Wasserhahn offen ist.
	Der Wasserzulaufschlauch ist geknickt.	Den Zulaufschlauch prüfen (<i>siehe INSTALLATION</i>). Öffnen Sie die Tür des Geschirrspülers, drücken Sie die Taste START/Pause und schließen Sie die Tür erneut innerhalb von 4 Sekunden.
	Das Sieb im Wasserzulaufschlauch ist verstopft. Es muss gereinigt werden.	Das Sieb im Wasserzulaufschlauch kontrollieren und reinigen. Öffnen Sie die Tür des Geschirrspülers, drücken Sie die Taste START/Pause und schließen Sie die Tür erneut innerhalb von 4 Sekunden.
Der Geschirrspüler beendet das Programm vorzeitig. Am Display erscheint: F8 E3	Im Filtersieb haben sich Speisereste oder Kalk angesammelt.	Reinigen Sie den Filter und entkalken Sie das Gerät (<i>siehe REINIGUNG DER FILTEREINHEIT und ENTKALKEN</i>).
	Ablaufschlauch zu niedrig positioniert oder Siphonwirkung in die Hauskanalisation.	Prüfen, ob das Ende des Ablaufschlauchs auf der richtigen Höhe positioniert ist (<i>siehe INSTALLATION</i>). Prüfen, ob eine Siphonwirkung in die Hauskanalisation vorliegt, installieren Sie bei Bedarf einen Vakuumbrecher/ein Belüftungsventil.
	Es ist zu viel Schaum vorhanden.	Das Spülmittel wurde nicht richtig dosiert oder ist für Geschirrspüler ungeeignet (<i>siehe EINFÜLLEN DES SPÜLMITTELS</i>).
	Luft im Wasserzulauf.	Wasserzulauf auf Lecks oder sonstige Störungen mit Lufteintritt prüfen.
Das Geschirr ist nicht gut getrocknet.	Kein Klarspüler vorhanden oder die Dosierung ist zu niedrig.	Stellen Sie sicher, dass der Klarspülerspender gefüllt ist (<i>siehe KLARSPÜLERSPENDER AUFFÜLLEN</i>). Die Verwendung von multifunktionalen Tabs allein liefert nicht so gute Trocknungsergebnisse wie die Verwendung von flüssigem Klarspüler.
	Das Geschirr wurde ausgeräumt, nachdem die Tür automatisch geöffnet wurde, jedoch vor dem tatsächlichen Programmende.	Stellen Sie sicher, dass das Programm beendet wurde, bevor Sie das Geschirr ausräumen (<i>siehe TÄGLICHER GEBRAUCH</i>). Für noch bessere Trocknungsergebnisse wird empfohlen, das Geschirr bei geöffneter Tür weitere 15 Minuten nach Programmende im Geschirrspüler zu lassen.
	Das Geschirr sitzt zu flach.	Wenn Sie Wasserpfützen in Hohlräumen von Tassen, Bechern oder Schüsseln beobachten, versuchen Sie das Geschirr (insbesondere im oberen Korb) mit mehr Neigung zu laden. Damit kann mehr Wasser abtropfen, bevor das Trocknen beginnt.
	Das gewählte Programm hat keinen Trockengang.	Bitte prüfen Sie in der <i>PROGRAMMTABELLE</i> , ob das ausgewählte Programm einen Trockengang vorsieht. Programme ohne Trockengang können nicht das gewünschte Trocknungsergebnis bringen. Es wird daher empfohlen, die Programmauswahl auf ein Programm zu ändern, das über einen Trockengang verfügt.
Das Geschirr besteht aus Antihafmaterial oder aus Kunststoff.	Einige auf dieser Art von Material verbleibende Wassertropfen sind normal.	
Geschirr und Gläser haben blaue Schlieren oder bläuliche Schattierungen.	Klarspüler wurde zu hoch dosiert.	Dosierung niedriger einstellen.
Geschirr und Gläser sind mit Kalkablagerungen oder einem weißen Belag bedeckt.	Salzbehälter ist leer.	Den Behälter sobald wie möglich mit Salz nachfüllen. Der Gebrauch des Geräts ohne Salz kann Schäden an seinen Innenbauteilen verursachen.
	Die Wasserhärteeinstellung ist zu niedrig.	Die Einstellung erhöhen (<i>siehe WASSERHÄRTETABELLE</i>).
	Der Deckel des Salzbehälters ist nicht richtig geschlossen.	Salzbehälterdeckel prüfen und verschließen.
Der Klarspülerbehälter ist leer oder die Klarspülerdosierung ist unzureichend.	Befüllen Sie den Behälter mit Klarspüler und prüfen Sie die Dosierungseinstellung (weitere Informationen - <i>siehe KLARSPÜLERSPENDER AUFFÜLLEN</i>).	
Geschirrspüler zeigt F8 E5 an	Ventil ist blockiert oder fehlerhaft.	Den Wasserhahn schließen, sofern möglich. Schalten Sie die Stromversorgung nicht aus. Kundendienst kontaktieren.



Firmenrichtlinien, Standarddokumentation, Ersatzteilbestellung und zusätzliche Produktinformationen finden Sie unter:

- Verwenden Sie den QR-Code und besuchen Sie unsere Internetseite docs.whirlpool.eu
- Besuchen Sie unsere Internetseite: parts-selfservice.whirlpool.com
- Alternativ können Sie **unseren Kundendienst kontaktieren** (Siehe Telefonnummer in dem Garantieheft). Wird unser Kundendienst kontaktiert, bitte die Codes auf dem Typenschild des Produkts angeben.

Die Modellinformation ist über den QR-Code auf der Energieverbrauchskennzeichnung aufrufbar. Die Kennzeichnung enthält auch die Modellnummer, die den Zugang zum Verzeichnissportal unter <https://eprel.ec.europa.eu> ermöglicht.





DANK U WEL VOOR UW AANKOOP VAN EEN WHIRLPOOL PRODUCT. Voor verdere assistentie kunt u het apparaat registreren op: www.whirlpool.eu/register

Lees vóór gebruik van het apparaat de veiligheids- en installatie-instructies zorgvuldig door. Meer informatie over uw product is te vinden op website: docs.whirlpool.eu

Vergeet niet om na de installatie alle transportbeschermingen van de vaatwasser te verwijderen.

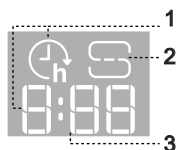
BEDIENINGSPANEEL



- AAN-UIT/Reset**-toets met controlelampje
- Programmatoets **Eco** met controlelampje
- Programmatoets **Snel** met controlelampje/ **Programma Voorwas** - 3 sec. indrukken
- Programmatoets **Kristallen** met controlelampje/ **Programma Zelfreinigen** - 3 sec. indrukken
- Knoppen **Automatische programma's** met indicatorlampje - **Auto Intensief 65°/ Auto Gemengd 55°/ Auto Snel 50°**
- Controlelampje **zoutreservoir** leeg
- Controlelampje **spoelglansmiddelreservoir** leeg
- Display**

- Nummer programma** en controlelampje **resterende tijd**
- Controlelampje **Gesloten Waterkraan**
- Controlelampje **ONTKALKEN**
- Extra opties knoppen** met indicatorlampje - **Halve lading/ Stil/ Sani Spoeling**
- Toets voor **optie Power Clean®** met controlelampje
- Toets voor **optie Extra Droog** met controlelampje/ **Instellingen** - 3 sec. indrukken
- Toets voor **optie Uitstel** met controlelampje
- Toets **START/Pauze** met controlelampje

DISPLAY OP DE VLOER



- Starttijd op de vloer** - de resterende tijd tot het programma start, wanneer de optie Uitgestelde start is ingesteld
- Zoutreservoir leeg** - controlelampje op de vloer
- Resterende tijd op de vloer** - de tijd tot het einde van het programma

EERSTE GEBRUIK

INSTELLING MENU

- Het apparaat inschakelen door op de toets **AAN-UIT** te drukken.
- Houd de toets **Instellingen** 3 seconden ingedrukt tot u een pieptoon hoort en **SET** op het display verschijnt.
- Na één seconde verschijnt de eerste beschikbare instelling (letter, **h**).
- Druk op **Automatische programma's** / **Extra opties** om door de lijst met beschikbare instellingen te bladeren (zie onderstaande tabel) en druk vervolgens op **START/Pauze** om de waarde van de geselecteerde instelling te bekijken of te wijzigen.
- Druk op **Automatische programma's** / **Extra opties** om de waarde te veranderen, druk vervolgens op **START/Pauze** om de nieuwe waarde op te slaan.
- Herhaal punt 2 en 5 om andere instellingen te wijzigen.
- Druk op **AAN-UIT** of wacht 30 seconden om het menu te verlaten.

LETTER	INSTELLING	WAARDEN (Standaard - vetgedrukt)
h	Waterhardheidsgraad <i>(zie 'DE WATERHARDHEID INSTELLEN' en 'TABEL WATERHARDHEID')</i>	1 2 3 4 5
i	Glansspoelmiddelpeil <i>(zie 'DE DOSERING GLANSSPOELMIDDEL AANPASSEN')</i>	0 1 2 3 4 5
j	NaturalDry <i>(zie 'OPTIES EN FUNCTIES')</i> '1' = Aan, '0' = Uit	1 0
k	Tijd op de vloer <i>(zie 'OPTIES EN FUNCTIES')</i> '1' = Aan, '0' = Uit	1 0
l	Geluid '1' = Aan, '0' = Uit	1 0
m	Fabrieksinstellingen Druk op START/Pauze om alle waarden in het instellingenmenu terug te zetten naar de fabrieksinstellingen.	-

HET ZOUTRESERVOIR BIJVULLEN

Het gebruik van zout voorkomt de vorming van KALKAANSLAG op het vaatwerk en op de functionele onderdelen van de machine. Het zoutreservoir bevindt zich onderin de vaatwasser (onder het onderste rek aan de linkerkant).

- Het is noodzakelijk dat **HET ZOUTRESERVOIR NOOIT LEEG IS**.
- het is belangrijk dat de hardheid van het water wordt ingesteld.
- Zout moet worden bijgevoerd wanneer het **controlelampje ZOUT BIJVULLEN** op het bedieningspaneel brandt.



- Verwijder het onderste rek en draai de dop van het reservoir los (linksom).
 - Plaats de trechter (zie afbeelding) en vul het zoutreservoir tot aan de rand (ongeveer 0,5 kg); het is niet ongebruikelijk dat er een beetje water uit lekt.
 - Alleen de eerste maal dat u dit doet: vul het zoutreservoir met water.**
 - Verwijder de trechter en veeg alle zoutresten weg van de opening. Zorg ervoor dat de dop strak is aangedraaid, zodat geen vaatwasmiddel in de container kan komen tijdens het wasprogramma (dit kan de waterontharder onherstelbaar beschadigen).
- Draai altijd een programma zodra u het zoutreservoir heeft bijgevoerd om corrosie te voorkomen.**

De waterhardheid instellen

Als u de waterontharder perfect wilt laten werken is het essentieel dat de instelling van de waterhardheid is gebaseerd op de werkelijke waterhardheid in uw huis. Deze informatie kan bij uw lokale waterleverancier worden opgevraagd. De fabrieksinstelling is "3" voor gemiddelde waterhardheid. Zie „TABEL WATERHARDHEID”. Volg de instructies in het hoofdstuk „INSTELLING MENU” om dit te wijzigen.

Tabel waterhardheid			
Niveau	°dH Duitse graden	°fH Franse graden	°Clark Engelse graden
1 (zacht)	0 - 6	0 - 10	0 - 7
2 (gemiddeld)	7 - 11	11 - 20	8 - 14
3 (gemiddeld)	12 - 16	21 - 29	15 - 20
4 (hard)	17 - 34	30 - 60	21 - 42
5 (zeer hard)	35 - 50	61 - 90	43 - 62

Gebruik alleen zout dat speciaal voor afwasmachines is bestemd. Wanneer het zout in de machine is gestrooid wordt het lampje ZOUT BIJVULLEN uitgeschakeld.

Als het zoutreservoir niet gevuld wordt, kunnen de waterverzachter en het verwarmingselement beschadigd raken als gevolg van de accumulatie van ketelsteen.

Het gebruik van zout wordt aanbevolen met elk type vaatwasmiddel.

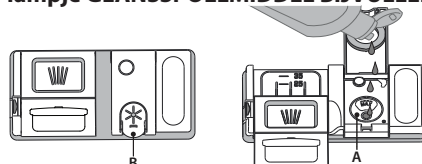
WATERVERZACHTEND SYSTEEM

Waterverzachters reduceren automatisch de waterhardheid en voorkomen bijgevolg ketelsteenvorming op de verwarmers en dragen bij tot een efficiëntere reiniging. **Dit systeem wordt automatisch met zout geregenereerd, u dient dus het zoutreservoir te vullen wanneer het leeg is.** De frequentie van de regeneratie hangt af van de instelling van het waterhardheidsniveau - de regeneratie wordt uitgevoerd om de 4-6 Eco-cyclussen met het waterhardheidsniveau ingesteld op 3. De regeneratie vindt plaats aan het begin van het programma met extra vers water.

- Eén enkele regeneratie verbruikt: ~3 liter water;
- Doet de cyclus 5 minuten langer duren;
- Verbruikt minder dan 0,005 kWh energie.

HET GLANSSPOELMIDDELRESERVOIR BIJVULLEN

Glansspoelmiddel maakt het DROGEN van de vaat gemakkelijker. Het glansspoelmiddelreservoir **A** moet worden gevuld wanneer het **controlelampje GLANSSPOELMIDDEL BIJVULLEN** op het display brandt.



- Open het doseerbakje **B** door de tab op het deksel in te drukken en omhoog te trekken.
- Het glansspoelmiddel zorgvuldig inbrengen tot aan de maximum (110 ml) insteekgleuf van de vulruimte - voorkom morsen.

Wanneer dit gebeurt het gemorste glansspoelmiddel onmiddellijk met een droge doek reinigen.

- Om het te sluiten het deksel naar beneden drukken totdat u een klik hoort.
- Het glansspoelmiddel NOOIT rechtstreeks in de kuip gieten.**

De dosering glansspoelmiddel aanpassen

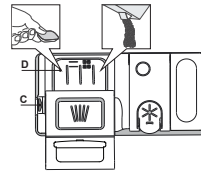
Als u niet volledig tevreden bent over de droogresultaten kunt u de gebruikte hoeveelheid glansspoelmiddel aanpassen.

Volg de instructies in het hoofdstuk „INSTELLING MENU” om dit te wijzigen. Als het niveau van het glansspoelmiddel is ingesteld op NUL (ECO) zal geen glansspoelmiddel worden afgegeven. Het controlelampje **LAAG GLANSSPOELMIDDEL** zal niet branden als het glansspoelmiddel op is. Er kan een maximum van **6** niveaus worden ingesteld, afhankelijk van het model afwasmachine.

- Als u blauwe strepen op het vaatwerk ziet stel dan een laag getal in (0-3).
- Als er druppels water of kalkaanslag op het vaatwerk zijn stel dan een hoog getal in (4-5).

HET VAATWASMIDDELDOSEERBAKJE VULLEN

Gebruik de opening apparaat **C** om het vaatwasmiddeldoseerbakje te openen. Het vaatwasmiddel alleen in het droge doseerbakje **D** invoeren. Plaats de hoeveelheid vaatwasmiddel voor voorspoelen direct in de kuip.



1. Raadpleeg bij het afmeten van het vaatwasmiddel de eerder vermelde informatie om de juiste hoeveelheid toe te voegen. In het doseerbakje **D** vindt u de aanwijzingen voor het doseren van het vaatwasmiddel.
2. Verwijder de resten vaatwasmiddel van de randen van het doseerbakje en sluit het deksel totdat het klikt.
3. Sluit het deksel van het vaatwasmiddeldoseerbakje door het omhoog te trekken tot het sluitingsmechanisme is vastgezet.

Het vaatwasmiddeldoseerbakje opent automatisch op het juiste moment, volgens het programma.

Het gebruik van vaatwasmiddelen die niet bedoeld zijn voor vaatwasmachines kan de slechte werking van het apparaat veroorzaken of het beschadigen.

DAGELIJKS GEBRUIK

1. WATERAANSLUITING CONTROLEREN

Controleer of de wasmachine is aangesloten op de waterleiding en of de waterkraan open is.

2. DE AFWASMACHINE INSCHAKELEN

Open de deur en druk op de toets **AAN/UIT**.

3. DE REKKEN VULLEN (zie REKKEN VULLEN).

4. HET VAATWASMIDDELDOSEERBAKJE VULLEN

Kies het meest geschikte programma op basis van het soort serviesgoed en de vervuilingsgraad (zie PROGRAMMABESCHRIJVING) door de toets van het gekozen **PROGRAMMA** in te drukken.

Selecteer de gewenste opties (zie **OPTIES EN FUNCTIES**). Niet alle opties zijn compatibel met alle programma's.

6. START

Start het programma door op de toets **START/Pauze** te drukken en de deur binnen 4 sec. te sluiten. Wanneer het programma start hoort u een enkele piep. Als de deur niet binnen 4 seconden is gesloten, hoort u een geluid ter waarschuwing. Open in dat geval de deur, druk op de **START/Pauze**-toets en sluit de deur opnieuw binnen 4 sec.

7. EINDE VAN HET WASPROGRAMMA

Het einde van de wascyclus wordt aangegeven met een geluid en op de display is **END** te zien. Open de deur en schakel het apparaat uit door op de toets **AAN/UIT** te drukken.

Een paar minuten wachten voordat het serviesgoed wordt verwijderd - om brandwonden te voorkomen. De rekken uitladen, te beginnen met het onderste rek.

EEN LOPEND PROGRAMMA WIJZIGEN

Als er een verkeerd programma geselecteerd is, kan het worden gewijzigd, mits het nog maar net begonnen is. **RESET** de machine: Houd de toets **AAN/UIT** langer dan 3 sec. ingedrukt. De machine wordt uitgeschakeld. **Het dashboard toont "0:01"**. Sluit de deur en wacht tot de afvoercyclus afgelopen is (ongeveer 1 minuut). Open de deur en schakel de machine weer in met de knop **AAN/UIT** en selecteer de nieuwe wascyclus en eventuele gewenste opties. Start het programma door op **START/Pauze** te drukken en de deur binnen 4 sec. te sluiten.

EXTRA SERVIESGOED TOEVOEGEN

Open de deur een klein stukje zonder de machine uit te schakelen, zorg dat er geen water uitspat (het controlelampje **START/Pauze** knippert) (**Let op: Hete stoom!**) en doe de vaat in de vaatwasser. Druk op de **START/Pauze**-toets en sluit de deur binnen 4 sec., de cyclus wordt hernomen vanaf het punt waarop het was onderbroken.

ONBEDOELDE ONDERBREKING

Als de deur wordt geopend of als de stroom uitvalt tijdens het programma, stopt het programma. **ALLEEN DOOR OP START/Pauze TE DRUKKEN** en de deur binnen 4 sec. te sluiten, gaat het programma weer verder vanaf het punt waarop het werd onderbroken.

ADVIEZEN EN TIPS

ADVIEZEN

Verwijder alvorens de manden te laden alle voedselresten uit het serviesgoed en leeg de glazen. **Het serviesgoed hoeft niet tevoren onder stromend water afgespoeld te worden.**

Het serviesgoed zo rangschikken dat het stevig op zijn plaats staat en niet omslaat; rangschik de containers met de openingen naar beneden gericht en de holle/bolle onderdelen schuin geplaatst, waardoor het water elk oppervlak kan bereiken en vrij kan stromen.

Waarschuwing: zorg ervoor dat deksels, grepen, platen en koekenpannen de sproeierarmen niet belemmeren bij het draaien.

Plaats geen kleine voorwerpen in de bestekmand. Erg vervuild vaatwerk en pannen moeten in de onderste mand worden geplaatst, omdat in deze ruimte de watersproeiers sterker zijn en hogere wasprestaties hebben.

Zorg ervoor dat na het laden van het apparaat de sproeierarmen vrij kunnen draaien.

ONGESCHIKT SERVIESGOED

- Houten servies en bestek.
- Kwetsbare gedecoreerde glazen, artistiek handwerk en antiek serviesgoed. Hun decoraties zijn hier niet tegen bestand.
- Delen van synthetisch materiaal die niet bestand zijn tegen hoge temperaturen.
- Koperen en tinnen serviesgoed.
- Serviesgoed bevuild met as, was, smeervet of inkt.

De kleuren van glasdecoraties en aluminium/zilveren stukken kunnen wijzigen en vervagen tijdens het wasproces. Sommige soorten glas (bv. kristallen voorwerpen) kunnen na een aantal wascyclussen ook dof worden.

SCHADE AAN GLASWERK EN SERVIESGOED

- Gebruik alleen glas en porselein waarvan de fabrikant garandeert dat het veilig is voor de afwasmachine.
- Gebruik een zacht vaatwasmiddel dat geschikt is voor serviesgoed.
- Haal glazen en bestek uit de afwasmachine zodra het wasprogramma afgelopen is.

TIPS VOOR ENERGIEBESPARING

- Wanneer de huishoudelijke vaatwasmachine gebruikt wordt volgens de aanwijzingen van de fabrikant, **verbruikt het wassen van vaatwerk in een vaatwasmachine gewoonlijk MINDER ENERGIE en water dan met de hand afwassen.**
- Om de efficiëntie van de vaatwasmachine te maximaliseren wordt aanbevolen om **de wascyclus eerst te starten wanneer de vaatwasmachine helemaal gevuld is.** De huishoudelijke vaatwasmachine vullen tot de hoeveelheid aangegeven door de fabrikant draagt bij tot het besparen van energie en water. Informatie over het correct laden van vaatwerk vindt u in het hoofdstuk **DE REKKEN VULLEN**. Als de machine gedeeltelijk is gevuld, wordt aanbevolen om de speciaal daarvoor bedoelde wasopties, indien voorzien, te gebruiken (Halve lading/ Zone Wash/ Multizone) en enkel geselecteerde rekken te vullen. De vaatwasmachine onjuist of overmatig vullen kan het gebruik van de hulpbronnen verhogen (zoals water, energie en tijd, en ook het geluidsniveau) en de reinigings- en droogprestaties verlagen.
- Vaatwerk vooraf met de hand spoelen verhoogt het water- en energieverbruik en wordt niet aanbevolen.

HYGIËNE

Om te voorkomen dat zich geur en afzetting ophoopt in de afwasmachine moet u ten minste één per maand een programma met hoge temperatuur laten draaien. Gebruik een theelepel vaatwasmiddel en laat het apparaat zonder lading draaien.

VOORZORGSMAATREGELEN BIJ VORST

Als het apparaat in een vertrek is geplaatst dat aan vorst kan worden blootgesteld, **moet al het water worden afgevoerd.** Draai de waterkraan dicht, koppel de toevoer- en afvoerslangen los en laat al het water er vervolgens uitstromen. **Zorg ervoor dat de waterontharder vol zit met opgelost regenererzout in het zoutreservoir** om het apparaat te beschermen tegen temperaturen tot -20°C. Als het apparaat bij temperaturen onder nul is opgeslagen, moet het **minstens 24 uur** op een omgevingstemperatuur van minimaal 5°C blijven staan alvorens het weer in te schakelen.

PROGRAMMATABEL

Programma	Beschrijving programma's	Drogen fase	Natural-Dry	Beschikbare functies *)	Duur van wasprogramma (h:min)**)	Waterverbruik (liter/cyclus)	Energieverbruik (kWh/cyclus)
Eco 50° - Programma is geschikt voor het reinigen van normaal vervuild vaatwerk, dat voor dit gebruik het meest efficiënte programma is wat betreft de combinatie van energie- en waterverbruik en in overeenstemming is met de Europese Ecodesign-wetgeving, aangepast.		✓	✓		4:00	9,5	0,65
Snel 45° - Programma dat kan worden gebruikt voor een halve lading vervuilde vaat zonder opgedroogde etensresten. Heeft geen droogfase.		-	✓		0:30 - 0:40	10,0 - 12,0	0,55 - 0,65
Kristallen 45° - Programma voor kwetsbare stukken die gevoeliger zijn voor hoge temperaturen, bijvoorbeeld glazen en kopjes.		✓	✓		1:40 - 1:50	12,5 - 16,5	0,95 - 1,20
Auto Intensief 65° - Automatisch programma voor zwaar vervuild vaatwerk en pannen.	Meet de mate van vervuiling van het serviesgoed af en past het programma dienovereenkomstig aan. Wanneer de sensor de mate van vervuiling meet, verschijnt er een animatie in de display en wordt de cyclusduur aangepast.	✓	✓		2:25 - 3:10	15,5 - 24,5	1,30 - 1,70
Auto Gemengd 55° - Automatisch programma voor normaal vuile vaat met opgedroogde etensresten.		✓	✓		1:20 - 3:00	7,5 - 19,5	0,75 - 1,20
Auto Snel 50° - Automatisch programma voor normaal en licht vuile vaat. Het dagelijkse programma voor het optimaal reinigen en drogen in kortere tijd.		✓	✓		1:00 - 1:50	7,5 - 15,5	0,70 - 1,10
Voorspoelen - Gebruikt om servies vochtig te houden dat later gewassen moet worden. Met dit programma wordt er geen vaatwasmiddel gebruikt.		-	✓		0:12	4,5	0,10
Zelfreinigend 65° - Programma te gebruiken voor het onderhoud van de afwasmachine, wordt enkel uitgevoerd wanneer de afwasmachine LEEG is met gebruik van specifieke reinigingsmiddelen die speciaal ontworpen zijn voor het onderhoud van de afwasmachine.		-	-		1:15	11,0	1,10

De gegevens van het ECO-programma worden gemeten onder laboratoriumomstandigheden, volgens de Europese norm EN 60436:2020.

Aanwijzing voor de Proeflaboratoria: Voor gedetailleerde informatie over de omstandigheden van de EN-vergelijkingstest kunt u contact opnemen met:

dw_test_support@whirlpool.com Voorbehandeling van het vaatwerk vóór de programma's is niet nodig.

*) Niet alle opties kunnen tegelijkertijd gebruikt worden.

**) Waarden aangegeven voor andere programma's dan het Eco-programma zijn slechts indicatief. De werkelijke tijd is afhankelijk van vele factoren, zoals de temperatuur en de druk van het toevoerwater, de kamertemperatuur, hoeveelheid vaatwasmiddel, de hoeveelheid en soort lading, evenwicht van de lading, extra gekozen opties en de kalibratie van de sensor. De kalibratie van de sensor kan de duur van het programma met max. 20 min. verlengen.

OPTIES EN FUNCTIES

OPTIES kunnen na het kiezen van het programma direct worden in-/uitgeschakeld door op de betreffende toets te drukken (het indicatorlampje gaat branden, indien beschikbaar) (zie BEDIENINGSPANEEL). Als een optie niet compatibel is met het geselecteerde programma (zie PROGRAMMATABEL) gaat de bijbehorende LED 3 keer snel knipperen en klinken er pieptonen. De optie wordt niet ingeschakeld. Een optie kan de tijd of het water- of energieverbruik voor het programma wijzigen.

POWER CLEAN® - Dankzij de extra krachtige stralen biedt deze functie een intensievere en krachtigere afwascyclus op de betreffende plek in het onderste reka. Deze functie wordt aanbevolen voor het afwassen van pannen en ovenschalen. (Zie het gedeelte over Power Clean®).

HALVE LADING - Als er niet veel vaat moet worden gewassen, wordt de functie HALVE LADING gebruikt om water, elektriciteit of tijd te besparen, afhankelijk van het gekozen programma.

Vergeet niet om de hoeveelheid vaatwasmiddel te verminderen.

EKSTRAKUIV - viimase loputuse järel kasutatav kõrgem temperatuur ja pikem kuivatusfaas aitavad nõusid paremini kuivatada. EXTRA DRY valik pikendab pesutsükli.

STIL - Handig als het apparaat 's nachts draait. Deze optie kan worden gebruikt om het geluid tijdens het draaien te beperken. Het programma duurt langer, afhankelijk van het gekozen programma.

ANTIBACTERIEEL SPOELEN - Deze optie wordt gebruikt om de gewassen borden te ontsmetten. Het verhoogt de temperatuur van de laatste spoeling en voegt antibacterieel wassen toe aan het geselecteerde programma. Ideaal voor het reinigen van serviesgoed en zuigflessen. De deur van de afwasmachine moet gedurende de hele duur van het programma gesloten blijven, om de antibacteriële werking te garanderen. Als u de deur open gaat het lampje knipperen.

WAARSCHUWING: het serviesgoed en de platen kunnen aan het einde van de cyclus extreem heet zijn.

UITSTEL - De start van het programma kan worden uitgesteld voor een periode tussen **0:30 en 24 uur**.

- Selecteer het programma en eventuele gewenste opties. Druk (meerdere keren) op de UITSTEL-toets om de start van het programma uit te stellen. Instelbaar van 0:30 tot 24 uur. Zodra de instelling van 24 uur is bereikt, drukt u nogmaals op de toets UITSTEL om de functie uit te schakelen.
- Druk op de toets START/Pauze en sluit binnen 4 seconden de deur de timer begint met aftellen.
- Wanneer deze tijd verstreken is wordt het controlelampje uitgeschakeld en begint het programma automatisch.

Zodra er een programma is gestart kan de UITSTEL-functie niet worden ingesteld.

TIJD OP DE VLOER - De resterende tijd van het programma wordt op de vloer geprojecteerd. Telkens wanneer de deur wordt geopend gaat het licht uit. Het licht gaat uit aan het einde van een programma. Deze functie is standaard actief, maar kan worden uitgeschakeld in het "INSTELLING MENU".

ONTKALKEN - Alarm - Er is kalkaanslag geconstateerd op interne onderdelen van het apparaat. **Controleer of de waterhardheid** juiste is ingesteld en of er **zout** in het zoutreservoir zit (zie EERSTE GEBRUIK). **Gebruik vervolgens een ontkalkingsmiddel** (het merk WPro wordt aanbevolen) met het programma **Zelfreinigen**. Na een succesvolle ontkalking wordt het symbool niet meer weergegeven. Als de bovenstaande handelingen niet worden uitgevoerd, zal het apparaat minder goed werken. De waarschuwing 'Ontkalken' begint te knipperen en op het display verschijnt 'dES'. Als er nog steeds niet wordt ingegrepen, start het apparaat nog slechts enkele malen op (aangegeven met 'dES' op het display). Hierna start het apparaat niet meer om schade aan onderdelen te voorkomen. **Alleen het programma Zelfreinigen is nog beschikbaar.** Pas na een volledige ontkalking start het apparaat weer. Bij extreem veel kalkaanslag kan het nodig zijn om twee keer te ontkalken.

NaturalDry - Een convectiedroogstelsysteem dat de deur tijdens/na de droogfase automatisch opent voor buitengewone droogprestaties, elke dag weer. De deur gaat open bij een temperatuur die veilig is voor uw keukenmeubelen, dus niet wanneer de optie ANTIBACTERIEEL SPOELEN is ingeschakeld. Als extra bescherming tegen stoom wordt een speciaal ontworpen beschermingsfolie bij de vaatwasser geleverd. Raadpleeg het INSTALLATIEBOEKJE om te zien hoe u de beschermingsfolie aanbrengt. Deze functie is standaard actief, maar kan worden uitgeschakeld in het "INSTELLING MENU".

WAARNEMEN - Wanneer de sensor meet hoe vuil de vaat is, verschijnt er een animatie op het display (ongeveer 20 min.) en wordt de programmaduur aangepast. Bij het waarnemen wordt gekeken hoe vuil de vaat is. Dit kan worden gebruikt bij alle programma's (behalve Eco) waarbij het programma dienovereenkomstig wordt aangepast.

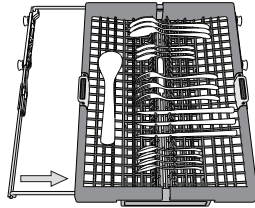
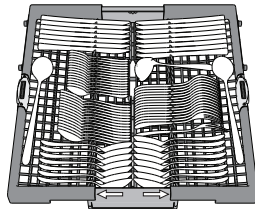
WATERTOEVER GESLOTEN - Alarm - Knippert wanneer er geen watertoevoer is of de waterkraan gesloten is.

BESTEKLADE

Het derde rek werd ontworpen om het bestek te herbergen. Rangschik het bestek zoals op de afbeelding. Een aparte rangschikking voor het bestek maakt het oppakken na de afwas eenvoudiger en verbetert de was- en droogprestaties.

Messen en andere gebruiksvoorwerpen met scherpe randen moeten worden geplaatst met de punten naar beneden gericht.

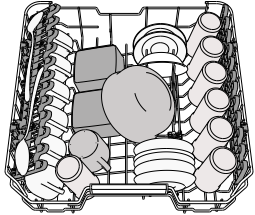
De bestekmand is uitgerust met twee schuifbladen, om optimaal gebruik te maken van de hoogte van de ruimte eronder en om het laden van hoge items in het bovenste rek mogelijk te maken.

**BOVENSTE REK**

Laden van kwetsbaar en licht vaatwerk: glazen, kopjes, schoteltjes, lage saladekommen.

Het bovenste rek heeft opklapbare steunen die in een verticale positie kunnen worden gebruikt bij het schikken van thee/dessertschoteltjes of in een lagere positie om kommen en schalen te laden.

(laadvoorbeeld voor het bovenste rek)

**De hoogte van het bovenste rek afstellen**

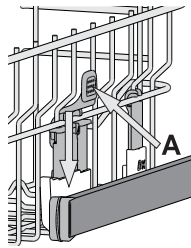
De hoogte van het bovenste rek kan worden afgesteld: hoge stand voor groot serviesgoed in de onderste mand en lage stand om optimaal gebruik te maken van de opklapbare steunen, door het creëren van meer ruimte naar boven en botsen met de items die in het onderste rek zijn geladen te voorkomen.

Het bovenste rek is uitgerust met een **hoogteversteller bovenste rek** (zie afbeelding, zonder op de hefboomen te hoeven drukken, opheffen door gewoon de zijanten van het rek vast te houden, zodra het rek stabiel in de bovenste positie staat.

Voor herstellen naar de lagere positie op de hefboomen **A** aan de zijanten van het rek drukken en de mand naar beneden verplaatsen.

Het is raadzaam de hoogte van het rek niet aan te passen wanneer het is geladen.

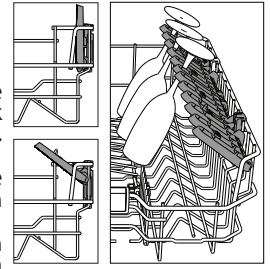
NOOIT de mand slechts aan één kant verhogen of verlagen.

**Opvouwbare kleppen met verstelbare stand**

De opvouwbare kleppen aan de zijkant kunnen worden opgevouwen of opengevouwen voor een optimale rangschikking van het serviesgoed in het rek.

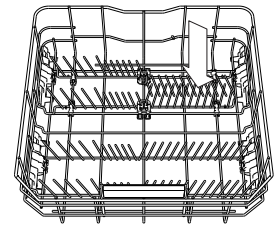
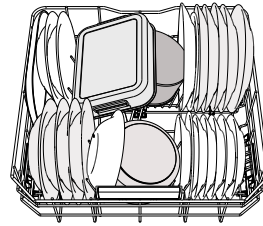
Wijn glazen kunnen veilig in de opvouwbare kleppen worden geplaatst door de steel van elk glas in de overeenkomstige sleuven in te voeren. Afhankelijk van het model:

- om de kleppen open te vouwen moet u ze omhoog schuiven en roteren of ze losmaken van de klemmen en omlaag trekken.
- om de kleppen op te vouwen moet u ze roteren en omlaag schuiven of ze omhoog trekken en aan de klemmen vastmaken.

**ONDERSTE REK**

Voor potten, deksels, platen, saladekommen, bestek enz. Grote platen en deksels moeten idealiter aan de zijanten worden geplaatst, om aanraking met de sproeierarmen te voorkomen.

Het onderste rek heeft opklapbare steunen die in een verticale positie kunnen worden gebruikt bij het schikken van platen of in een horizontale positie (lager) om pannen en saladekommen te laden.



(laadvoorbeeld voor het onderste rek)

POWER CLEAN®

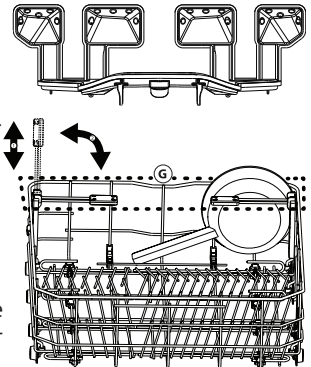
Power Clean® maakt gebruik van speciale waterstralen aan de achterzijde van de ruimte voor een intensievere reiniging van zeer vuile items. Het onderste rek heeft een lege ruimte,

een speciale uittrekbare steun aan de achterzijde van het rek, die kan worden gebruikt ter ondersteuning van koekenpannen of braadpannen in verticale positie, zodat ze minder ruimte in beslag nemen.

Activeer POWER CLEAN op het paneel tijdens het plaatsen van de pannen / ovenschalen tegenover het Power Clean® component.

Power Clean® gebruiken:

1. Pas het Power Clean gebied (G) aan door de achterste bordenhouders omlaag te klappen om potten en pannen te laden.
2. Laad potten, pannen en schalen verticaal gekanteld in het Power Clean gebied. Potten en pannen moeten naar de krachtige waterstralen toe gekanteld worden.

**REINIGING EN ONDERHOUD****HET FILTERSISTEEM REINIGEN**

Reinig het filtersysteem regelmatig, zodat de filters niet verstopen en het afvalwater correct weg stroomt.

Het gebruik van vaatwasmachines met verstopte filters of vreemde voorwerpen in het filtersysteem of de sproeierarmen kan de slechte werking ervan en bijgevolg lagere prestaties, lawaai of een hoger verbruik van hulpbronnen veroorzaken.

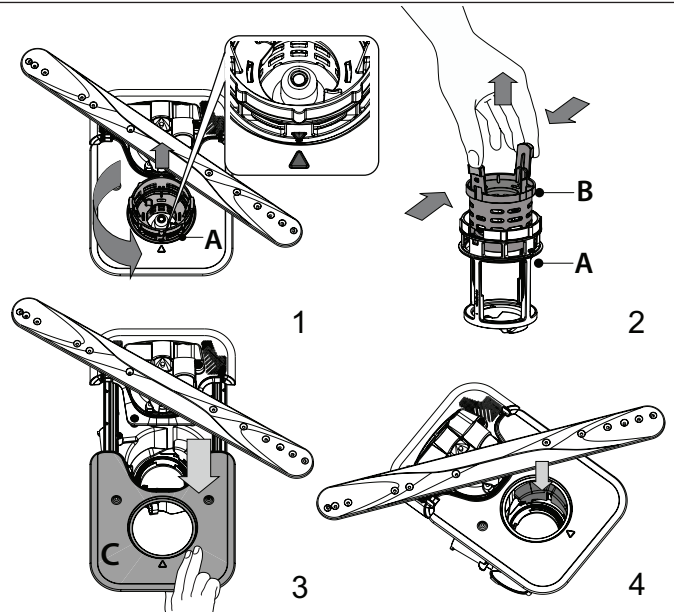
Het filtersysteem bestaat uit drie filters die voedselresten uit het afwaswater verwijderen en vervolgens het water opnieuw laten circuleren.

De afwasmachine mag niet worden gebruikt zonder filters of als het filter is losgeraakt.

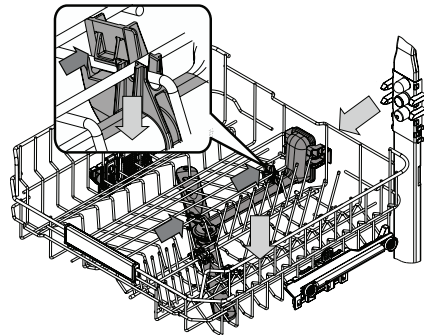
Controleer tenminste eens per maand of na elke 30 cyclussen het filtersysteem en reinig het eventueel grondig onder stromend water, met een niet-metalen borstel en volgens de onderstaande instructies:

1. Draai het cilindrische filter **A** linksom en trek het uit (Afb. 1). **Bij het terugplaatsen van het filter is het belangrijk dat de twee driehoeken die op de vergroting zijn aangegeven, elkaar raken.**
2. Verwijder het houderfilter **B** door licht op de zijkleppen te drukken (Afb. 2).
3. Schuif de roestvrij stalen plaat filter **C** er uit (Afb. 3).
4. Als u vreemde voorwerpen vindt (gebroken glas, porselein, beenderen, zaden van vruchten, enz.), **verwijder u ze zorgvuldig.**
5. Inspecteer de sifon en verwijder eventuele voedselresten. **VERWIJDER NOOIT de pompbescherming van het wasprogramma (aangegeven door de pijl) (Afb. 4).**

Na het schoonmaken van het filter het filtersysteem opnieuw plaatsen en goed op zijn plaats zetten; dit is essentieel voor het behoud van de efficiënte werking van de afwasmachine.

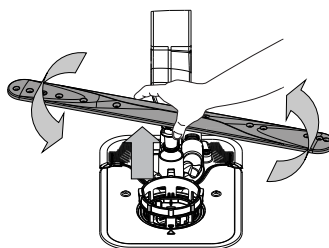


DE SPROEIERARMEN REINIGEN

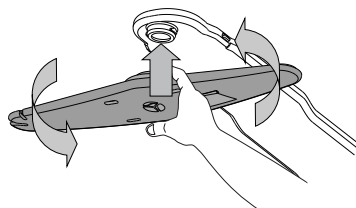


Af en toe kunnen er voedselresten op de sproeierarmen vastzitten en worden de openingen voor het water sproeien geblokkeerd. Het is daarom raadzaam dat u de armen van tijd tot tijd controleert en ze met een kleine niet-metalen borstel schoonmaakt.

U kunt de bovenste sproeier alleen samen met het spruitstuk verwijderen.



De onderste sproeierarm kan worden verwijderd door het omhoog te trekken. Trek de sproeierarm omhoog en draai hem rechtsonder om hem weer te bevestigen.



De bovenste sproeierarm kan worden verwijderd door deze omhoog te duwen en linksom te draaien. Trek de sproeierarm omhoog en draai hem rechtsonder om hem weer te bevestigen.

PROBLEMEN OPLOSSEN

Als uw vaatwasmachine niet goed werkt, doorloopt u de onderstaande lijst om te controleren u of u het probleem kunt verhelpen. Voor andere fouten of problemen neemt u contact op met de bevoegde Consumentenservice, de contactgegevens ervan vindt u in de garantieboekje. Reserveonderdelen zijn beschikbaar voor een periode van maximaal 7 of maximaal 10 jaar, afhankelijk van de regels die van toepassing zijn.

PROBLEMEN	MOGELIJKE OORZAKEN	OPLOSSINGEN
De zoutindicator brandt	Zoutreservoir is bijna leeg.	Vul het reservoir met zout (voor meer informatie - zie HET ZOUTRESERVOIR BIJVULLEN). Controleer zo nodig de instelling van de waterhardheid - zie TABEL WATERHARDHEID.
De zoutindicator knippert	Zoutreservoir is leeg.	Vul het reservoir zo snel mogelijk met zout. Gebruik van het apparaat zonder zout kan de interne onderdelen beschadigen.
Glansspoelmiddelindicator brandt of knippert	Glansspoelmiddelbakje is leeg. (Na het bijvullen kan de glansspoelmiddelindicator nog even blijven branden).	Vul het reservoir met een glansspoelmiddel (zie - HET GLANSSPOELMIDDELRESERVOIR BIJVULLEN).
De ontkalkingsindicator brandt of knippert; het alarm „dES” wordt weergegeven.	Er zit kalkaanslag op de interne onderdelen van het apparaat.	Ontkalk het apparaat onmiddellijk met behulp van het Zelfreinigendsprogramma en een in de handel verkrijgbaar ontkalkingsmiddel (zie OPTIES EN FUNCTIES). Vul het reservoir met zout. Controleer de instelling van de waterhardheid. Als het apparaat niet wordt ontkalkt, werkt het niet meer.
De afwasmachine start niet of reageert niet op opdrachten.	Het apparaat is niet goed aangesloten.	Steek de stekker in het stopcontact.
	Stroomuitval.	Om veiligheidsredenen start de vaatwasser niet automatisch opnieuw op wanneer de stroom weer beschikbaar is. Open de deur van de vaatwasmachine, druk op de START/Pauze-toets en sluit de deur binnen 4 sec.
	De deur van de afwasmachine is niet goed gesloten. De pin NaturalDry is niet ingetrokken.	De deur krachtig aanduwen totdat u de „klik” hoort.
	Een programma wordt onderbroken als de deur langer dan 4 seconden wordt geopend.	Druk op START/Pauze en sluit de deur binnen 4 seconden.
De afwasmachine pompt niet af. Weergave op het display: F7 E3 of F9 E1	Filter is verstopt met voedselresten of kalkaanslag.	Reinig het filter en ontkalk het apparaat (zie HET FILTERSISTEEM REINIGEN en ONTKALKEN).
	Er zit een knik in de afvoerslang.	Controleer de afvoerslang (zie AANWIJZINGEN VOOR INSTALLATIE).
	De pijp van de gootsteenafvoer is geblokkeerd.	Reinig de pijp van de gootsteenafvoer.
De vaatwasser maakt veel lawaai.	Het serviesgoed rammelt tegen elkaar.	Rangschik het serviesgoed goed (zie REKKEN VULLEN).
	Er is te veel schuim aanwezig.	Het vaatwasmiddel is niet goed afgemeten of het is niet geschikt voor gebruik in afwasmachines (zie HET VAATWASMIDDELDOSEERBAKJE VULLEN). Start de actuele wascyclus opnieuw: schakel de afwasmachine UIT, vervolgens terug in, selecteer een nieuw programma, druk op START/Pauze en sluit de deur binnen 4 seconden. Voeg geen vaatwasmiddel toe.
	Het serviesgoed is niet goed gerangschikt.	Rangschik het serviesgoed goed (zie REKKEN VULLEN).
	Het filter is verstopt met voedselresten of kalkaanslag.	Reinig het filtersysteem (zie REINIGING EN ONDERHOUD).
Het vaatwerk is niet schoon.	Het serviesgoed is niet goed gerangschikt.	Rangschik het serviesgoed goed (zie REKKEN VULLEN).
	Sproeierarmen kunnen niet vrij draaien, ze worden door het serviesgoed belemmerd.	Rangschik het serviesgoed goed (zie REKKEN VULLEN). Controleer of het bovenste rek in de juiste stand staat en stel het zo nodig bij (optillen).
	Het wasprogramma is te zacht.	Selecteer een geschikt wasprogramma (zie PROGRAMMATABEL).
	Er is te veel schuim aanwezig.	Het vaatwasmiddel is niet goed afgemeten of het is niet geschikt voor gebruik in afwasmachines (zie HET VAATWASMIDDELDOSEERBAKJE VULLEN).
	De dop op het glansspoelmiddelcompartiment is niet goed afgesloten.	Zorg ervoor dat de dop van het glansspoelmiddelbakje is gesloten.
	Het filter is verstopt met voedselresten of kalkaanslag.	Reinig het filter en ontkalk het apparaat (zie HET FILTERSISTEEM REINIGEN).
Het zoutreservoir is leeg.	Vul het zoutreservoir (zie HET ZOUTRESERVOIR BIJVULLEN).	

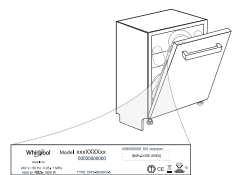
PROBLEMEN	MOGELIJKE OORZAKEN	OPLOSSINGEN
De afwasmachine vult zich niet met water. Op het scherm: H2O is verlicht; er klinkt een geluid-salarm."	Geen water in de watertoevoer of de kraan is gesloten.	Zorg ervoor dat er water in de watertoevoer komt en dat de kraan open staat.
	Er zit een knik in de toevoerslang.	Controleer de toevoerslang (zie <i>INSTALLATIE</i>). Open de deur van de vaatwasmachine, druk op de START/Pauze-toets en sluit de deur binnen 4 sec.
	De zeef in de watertoevoerslang is verstopt; het moet gereinigd worden.	Controleer en reinig de zeef in de watertoevoerslang. Open de deur van de vaatwasmachine, druk op de START/Pauze-toets en sluit de deur binnen 4 sec.
De vaatwasser beëindigt het programma voortijdig. Op het scherm: F8 E3	Filter is verstopt met voedselresten of kalkaanslag.	Reinig het filter en ontkalk het apparaat (zie <i>HET FILTERSYSTEEM REINIGEN en ONTKALKEN</i>).
	De afvoerslang zit te laag of hevelt naar de riolering.	Controleer of het uiteinde van de afvoerslang op de juiste hoogte is geplaatst (zie <i>INSTALLATIE</i>). Controleer of er naar het riool wordt geheveld en installeer zo nodig een hevelonderbreker/luchttoevoerklep.
	Er is te veel schuim aanwezig.	Het vaatwasmiddel is niet goed afgemeten of het is niet geschikt voor gebruik in afwasmachines (zie <i>HET VAATWASMIDDELDOSEERBAKJE VULLEN</i>).
	Lucht in de watertoevoer.	Controleer de watertoevoer op lekken of andere problemen die lucht binnenlaten.
Het serviesgoed is niet goed droog.	Er is geen spoelglansmiddel aanwezig of de dosering is te laag.	Zorg ervoor dat het spoelglansmiddelbakje gevuld is (zie <i>HET GLANSSPOELMIDDELRESERVOIR BIJVULLEN</i>). Met multifunctionele tabletten droogt het serviesgoed niet zo goed als wanneer er een vloeibaar spoelglansmiddel wordt gebruikt.
	Het serviesgoed is uit het apparaat gehaald nadat de deur automatisch werd geopend, maar vóór het einde van het programma.	Controleer of het programma is afgelopen voordat u het serviesgoed uit het apparaat haalt (zie <i>DAGELIJKS GEBRUIK</i>). Laat het serviesgoed nog 15 minuten met de deur open in de vaatwasser staan nadat het programma is afgelopen om het extra goed te laten drogen.
	Het serviesgoed is te vlak gerangschikt.	Als er water in de holtes van kopjes, mokken of kommen blijft staan, probeer het serviesgoed dan schuiner te laden (vooral in het bovenste rek) zodat het water kan weglopen voordat het drogen begint.
	Het geselecteerde programma heeft geen droogfase.	Controleer in de <i>PROGRAMMATABEL</i> of het geselecteerde programma een droogfase heeft. Programma's zonder de droogfase drogen minder goed. Voor een goede droging is het raadzaam een programma met droogfase te kiezen.
Er zitten blauwe strepen of blauwachtige tinten op het serviesgoed.	Het vaatwerk heeft een antiaanbaklaag of is van kunststof.	Het is normaal dat waterdruppels op dit soort materiaal achterblijven.
	De dosering van glansspoelmiddel is te hoog.	Stel de dosering lager in.
Het serviesgoed is bedekt met kalk of een witachtige film.	Zoutreservoir is leeg.	Vul het reservoir zo snel mogelijk met zout. Gebruik van het apparaat zonder zout kan de interne onderdelen beschadigen.
	De waterhardheid is te laag ingesteld.	Verhoog de instelling (zie <i>TABEL WATERHARDHEID</i>).
	De dop van het zoutreservoir is niet goed gesloten.	Controleer en sluit de dop van het zoutreservoir.
Op de vaatwasser staat F8 E5	Het spoelglansmiddelreservoir is leeg of de spoelglansmiddeldosering is onvoldoende.	Vul het reservoir met spoelglansmiddel en controleer de doseerinstelling (zie - <i>HET GLANSSPOELMIDDELRESERVOIR BIJVULLEN</i>).
	De klep is geblokkeerd of defect.	Sluit de kraan, indien mogelijk. Schakel de voeding niet uit. Bel de klantenservice.



De bedrijfsregels, standaarddocumentatie, bestellen van onderdelen en aanvullende productinformatie kunt u vinden:

- Gebruik makend van de QR-code en op onze website: docs.whirlpool.eu
- Op onze website: parts-selfservice.whirlpool.com
- Anders, **contacteer onze Klantenservice** (Het telefoonnummer staat in het garantieboekje). Wanneer u contact neemt met de Klantenservice, gelieve de codes te vermelden die op het identificatieplaatje van het apparaat staan.

De modelinformatie kan gevonden worden aan de hand van de QR-code die op het energielabel aangegeven is. Het label bevat ook de model-ID die kan worden gebruikt om het portaal van het register te raadplegen op <https://eprel.ec.europa.eu>.





БЛАГОДАРИМ ВИ, ЧЕ ЗАКУПИХТЕ ПРОДУКТ НА WHIRLPOOL.
За да получавате по-пълно съдействие, регистрирайте
Вашия уред на: www.whirlpool.eu/register

Преди да използвате уреда, прочетете внимателно указанията за безопасност и инсталиране. Повече информация за вашия продукт ще намерите на уебсайт: docs.whirlpool.eu



След инсталиране не забравяйте да махнете всички транспортни части от съдомиялната.

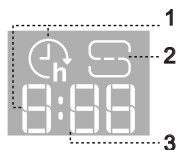
КОНТРОЛЕН ПАНЕЛ



1. Бутон **ВКЛ.-ИЗКЛ. / Нулиране** със светлинен индикатор
2. Бутон за **програма Еко** със светлинен индикатор
3. Бутон за **програма Бърза** със светлинен индикатор/ **Предв. Изплакване** - натиснете за 3 сек
4. Бутон за **програма Кристал** със светлинен индикатор/ **Самопочистване** - натиснете за 3 сек
5. Бутони за **Автоматични програми** със светлинни индикатори - **Авт. Интензивн 65° / Авт. Микс 55° / Авт. Бърза 50°**
6. Светлинен индикатор за празен резервоар за **Сол**
7. Светлинен индикатор за празен резервоар за **Препарат За Изплакване**
8. **Дисплей**

9. Индикатор за **номер на програма и оставащо време**
10. Светлинен индикатор за **Кран На Водата Затворен**
11. Светлинен индикатор за **ОТСТРАНЯВАНЕ НА КОТЛЕН КАМЪК**
12. Бутони за **Допълнителни опции** с индикаторни светлини - **Половин зареждане / Безшумно / Дезинф. изплакване**
13. Бутон за **опция Power Clean®** със светлинен индикатор
14. Бутон за опция **Допълнително Изсушаване** със светлинен индикатор / **Настройки** - натиснете за 3 сек
15. Бутон за **опция Отлагане** със светлинен индикатор
16. Бутон **СТАРТ/Пауза** със светлинен индикатор

ДИСПЛЕЙ НА ПОДА



1. **Индикатор за времето на закъснение на пода** - индикатор за оставащото време до началото на цикъла, когато е зададена опция Забавяне
2. **Светлинен индикатор на пода за празен резервоар за сол**
3. **Индикатор за оставащо време на пода** - индикатор за оставащото време до края на цикъла

УПОТРЕБА ЗА ПРЪВ ПЪТ

МЕНЮ С НАСТРОЙКИ

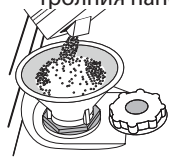
1. Включете уреда, като натиснете бутона **ВКЛ.-ИЗКЛ.**
2. Задръжте бутона **Настройки** (Допълнително Изсушаване $\{\{\{+\}$ за 3 секунди, докато чуете звуков сигнал и на дисплея се покаже „**SET**“.
3. След една секунда ще се покаже първата налична настройка (буква „**S**“).
4. Натиснете **Автоматични програми** (Допълнителни опции $\{\{\{$ за да превъртите през списъка с налични настройки (вижте таблицата по-долу), след това натиснете **СТАРТ/Пауза** $\triangleright||$, за да видите и промените стойността на текущо избраната настройка.
5. Натиснете **Автоматични програми** (Допълнителни опции $\{\{\{$ за да промените стойността, след това натиснете **СТАРТ/Пауза** $\triangleright||$, за да запазите новата стойност.
6. За да промените друга настройка, повторете точки 2 и 5.
7. Натиснете **ВКЛ.-ИЗКЛ.** или изчакайте 30 секунди, за да излезете от менюто.

БУКВА	НАСТРОЙКИ	СТОЙНОСТИ (По подразбиране - с удебелен шрифт)
S	Ниво на Твърдост на Водата (вж. „НАСТРОЙВАНЕ НА ТВЪРДОСТА НА ВОДАТА“ и „ТАБЛИЦА ЗА ТВЪРДОСТА НА ВОДАТА“)	1 2 3 4 5
S	Ниво на Изплаквач Препарат (вж. „РЕГУЛИРАНЕ НА ДОЗИРАНЕТО НА ПРЕПАРАТА ЗА ИЗПЛАКВАНЕ“)	0 1 2 3 4 5
S	NaturalDry (вж. „ОПЦИИ И ФУНКЦИИ“) "1" = Вкл., "0" = Изкл.	1 0
S	Подсветка с времетраене (вж. „ОПЦИИ И ФУНКЦИИ“) "1" = Вкл., "0" = Изкл.	1 0
S	Звук "1" = Вкл., "0" = Изкл.	1 0
S	Фабрични Настройки Натиснете СТАРТ/Пауза , за да възстановите фабричните настройки по подразбиране на всички стойности на настройките, включени в менюто с настройки.	-

ЗАРЕЖДАНЕ НА РЕЗЕРВОАРА ЗА СОЛ

Използването на сол предотвратява образуването на КОТЛЕН КАМЪК по съдовете и функционалните компоненти на машината. Резервоарът за сол се намира в долната част на съдомиялната машина (под долната кошница от лявата страна).

- Задължително е **РЕЗЕРВОАРЪТ ЗА СОЛ НИКОГА ДА НЕ ОСТАВА ПРАЗЕН.**
- Важно е да зададете твърдостта на водата.
- Когато светлинният **индикатор ЗАРЕЖДАНЕ НА СОЛ** S на контролния панел свети, трябва да добавите сол.



1. Отстранете долната кошница и развийте капачката на резервоара (обратно на часовниковата стрелка).
2. Поставете фунията (вж. фигурата) и напълнете резервоара за сол до ръба (около 0,5 kg); Не е необичайно да изтече малко вода.
3. **Само първия път правите това: напълнете резервоара за сол с вода.**

4. Отстранете фунията и забършете остатъците от сол от отвора. Уверете се, че капачката е завита здраво, така че по време на програмата за миене препаратът да не може да влезе в резервоара (това може да повреди непоправимо омекотителя за вода).

Пуснете програма всеки път, веднага след като завършите презареждането на резервоара за сол, за да избегнете корозия.

Настройване на твърдост на водата

За да може омекотителят за вода да работи идеално, е особено важно настройката за твърдостта на водата да се базира на реалната твърдост на водата в дома ви. Можете да получите тази информация от местния си доставчик на вода. Фабричната настройка е "3". Вж. „ТАБЛИЦА ЗА ТВЪРДОСТА НА ВОДАТА“. За да промените, следвайте инструкциите в раздел „МЕНЮ С НАСТРОЙКИ“.

Ниво	Таблица за Твърдост на Водата		
	°dH Германски градуси	°fH Френски градуси	°Clark Английски градуса
1 (мека)	0 - 6	0 - 10	0 - 7
2 (умерена)	7 - 11	11 - 20	8 - 14
3 (средна)	12 - 16	21 - 29	15 - 20
4 (твърда)	17 - 34	30 - 60	21 - 42
5 (много твърда)	35 - 50	61 - 90	43 - 62

Използвайте само сол, която е предназначена специално за съдомиялни машини. След като поставите сол в машината, светлинният индикатор ЗАРЕЖДАНЕ НА СОЛ се изключва.

Ако контейнерът за сол не бъде напълнен, възможно е в резултат на натрупване на варовик да се повреди омекотителят за вода и нагревателният елемент. Използването на сол е препоръчително с всякакъв тип миялен препарат.

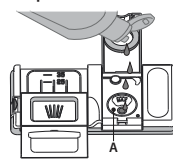
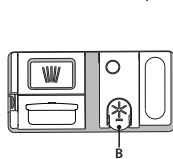
СИСТЕМА ЗА ОМЕКОТЯВАНЕ НА ВОДАТА

Омекотителят за вода намалява автоматично твърдостта на водата, като по този начин предотвратява натрупването на варовик по нагревателя и повишава ефективността при почистване. **Системата се регенерира сама със сол, затова е необходимо да допълвате контейнера със сол, когато се изпразни.** Честотата на регенериране зависи от настройката на нивото на твърдост на водата - регенерирането се извършва веднъж на всеки 4-6 цикъла Еко с ниво на твърдост на водата, зададено на 3. Процесът на регенерация се случва в началото на програмата с допълнителна прясна вода.

- Едно регенериране използва: ~3 литра вода;
- Към цикъла се добавят 5 допълнителни минути;
- Консумират се по-малко от 0,005 kWh енергия.

ЗАРЕЖДАНЕ НА ДОЗАТОРА ЗА ПОМОЩНО СРЕДСТВО ЗА ИЗПЛАКВАНЕ

Помощното средство за изплакване улеснява СУШЕНЕТО. Дозаторът за помощното средство за изплакване А трябва да се пълни, когато светлинният **индикатор ЗАРЕЖДАНЕ НА ПОМОЩНО СРЕДСТВО ЗА ИЗПЛАКВАНЕ** A на контролния панел светне.



1. Отворете дозатора **B**, като натиснете и дръпнете нагоре издатината на капака.
2. Внимателно добавете помощното средство за изплакване до максималната (110 ml) референтна маркировка на мястото за пълнене - избягвайте да разливате.

Ако това се случи, почистете разливането незабавно със суха кърпа 3. Натиснете капака надолу, докато чуете щракване, за да го затворите. **НИКОГА НЕ наливайте помощното средство за изплакване направо във ваничката.**

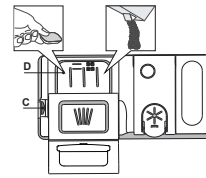
Регулиране на дозирането на помощното средство за изплакване

Ако не сте напълно доволни от резултатите от сушенето, можете да регулирате използваното количество помощно средство за изплакване. За да промените, следвайте инструкциите в раздел „МЕНЮ С НАСТРОЙКИ“. Ако нивото на помощното средство за изплакване е зададено на НУЛА, няма да се подава помощно средство за изплакване. Светлинният индикатор **НИСКО НИВО НА ПОМОЩНОТО СРЕДСТВО ЗА ИЗПЛАКВАНЕ** няма да светне, ако помощното средство се изчерпи. Според модела на съдомиялната машина могат да се задават макс-симум **6** нива.

- Ако видите синкави петна по съдовете, задайте нисък номер (0-3).
- Ако по съдовете има капки вода или следи от котлен камък, задайте висок номер (4-5).

ЗАРЕЖДАНЕ НА ДОЗАТОРА ЗА МИЯЛЕН ПРЕПАРАТ

За да отворите дозатора за препарат, използвайте приспособление **C**. Налейте препаратата само в сухия дозатор **D**. Поставете количество-то препарат за предварително измиване **направо във ваничката**.



- При измерване на препаратата правете справка със споменатата информация по-горе, за да добавите подходящо количество. в дозатора **D** има индикатори, за да помогнат за дозирането на миялния препарат.
- Отстранете остатъците от препарат от ръбовете на дозатора и затворете капака, докато щракне.
- Затворете капака на дозатора за препарат, като го дръпнете нагоре, докато приспособлението за затваряне се закрепва на място.

Дозаторът за препарат се отваря автоматично в правилния момент според програмата.

Използването на миялен препарат, който не е предназначен за съдомиялни машини, може да причини неизправност или повреда на уреда.

ВСЕКИДНЕВНА УПОТРЕБА

- ПРОВЕРКА НА ВОДНАТА ВРЪЗКА**
Уверете се, че съдомиялната машина е свързана към водоподава-нето и кранчето е отворено.
- ВКЛЮЧЕТЕ СЪДОМИЯЛНАТА МАШИНА**
Отворете вратата и натиснете бутона **ВКЛ./ИЗКЛ.**
- ЗАРЕДЕТЕ КОШНИЦИТЕ** (вж. ЗАРЕЖДАНЕ НА КОШНИЦИТЕ)
- ЗАРЕЖДАНЕ НА ДОЗАТОРА ЗА МИЯЛЕН ПРЕПАРАТ**
- ИЗБЕРЕТЕ ПРОГРАМАТА И ПЕРСОНАЛИЗИРАЙТЕ ПРОГРАМАТА**
Изберете най-подходящата програма според вида на съдовете и нивото на замърсяване (вж. ОПИСАНИЕ НА ПРОГРАМИТЕ) чрез натис-кане на бутона **ПРОГРАМА**.
Изберете желаните опции (вж. ОПЦИИ И ФУНКЦИИ). Не всички оп-ции са съвместими с всички програми.
- СТАРТ**
Стартирайте цикъл на измиване, като натиснете бутона **СТАРТ/Пауза** (светодиодът светва) и затворите вратата в рамките на 4 се-кунди. Когато програмата стартира, се чува еднократен сигнал. Ако вратата не бъде затворена в рамките на 4 секунди, ще се възпро-изведе звукова аларма. В този случай отворете вратата, натиснете бутона **СТАРТ/Пауза** и отново затворете вратата в рамките на 4 сек.
- КРАЯТ НА ПРОГРАМАТА**
Краят на цикъла на измиване се обозначава с кратки звукови сигнали, а на дисплея се изписва **END** (КРАЯТ). Отворете вратата и изключете уреда, като натиснете бутона **ВКЛ./ИЗКЛ.**
Изчакайте няколко минути, преди да премахнете съдовете, за да избег-нете изгаряния. Извадете съдовете, като започнете от долната кошница.

МОДИФИЦИРАНЕ НА РАБОТЕЩА ПРОГРАМА

Ако е избрана грешна програма, можете да я промените, при условие че тя е започнала току-що. **НУЛИРАНЕ** на машината: натиснете и задръжте бутона **ВКЛ./ИЗКЛ.** за повече от 3 сек и машината се изключва. **Табло-то ще покаже "0:01"**. Затворете вратата и изчакайте, докато цикълът на източване приключи (около 1 минута). Отворете вратата и включете машината отново с помощта на бутона **ВКЛ./ИЗКЛ.** и изберете нов цикъл на измиване и всякакви желани опции. Стартирайте цикъла с натискане на бутон **СТАРТ/Пауза** и затваряне на вратата до 4 секунди.

ДОБАВЯНЕ НА СЪДОВЕ

Без да изключвате машината, първо отворете леко вратата, за да избег-нете изпръскване на вода (**СТАРТ/Пауза** започва да мига) (**Внимание! Гореща пара!**) и поставете съдовете във вътрешността на съдомиялната машина. Натиснете бутона **СТАРТ/Пауза** и затворете вратата в рамките на 4 сек, цикълът се възобновява от момента, в който е бил прекъснат.

СЛУЧАЙНИ ПРЕКЪСВАНИЯ

Ако вратата бъде отворена по време на програма за миене или при прекъсване на захранването, програмата спира. **САМО АКО НАТИСНЕТЕ** бутона **СТАРТ/Пауза** и затворите вратата в рамките на 4 сек, цикълът се възобновява от момента, в който е бил прекъснат.

ПОЛЕЗНИ СЪВЕТИ

СЪВЕТИ

Преди да зареждате кошниците, отстранете всички остатъци от храна от съдовете и изпразнете чашите. **Не е нужно да изплаквате предвари-телно с течаща вода.**

Подредете съдовете така, че да се задръжат добре на място и да не се обрънат; и подредете съдовете с отворите надолу и разположете вдлъб-натите/изпъкналите части така, че водата да може да достигне всяка по-върхност и да тече свободно.

Предупреждение: капачите, дръжките, подносите и тиганите за пърже-не трябва да не пречат на въртенето на разпръскващите рамене.

Поставете дребните артикули в кошницата за прибори. Много замър-сените съдове и тенджери следва да се поставят в долната кошница, тъй като в този сектор водните струи са по-силни и позволяват по-добра ефектив-ност при миене. След като заредите уреда, проверете дали разпръскващите рамене могат да се въртят свободно.

НЕПОДХОДЯЩИ СЪДОВЕ

- Дървени съдове и прибори.
 - Деликатни чаши с декорации, артистични ръчно изработени съдове и антики. Декорациите им не са устойчиви.
 - Части от синтетични материали, които не са устойчиви на високи температури.
 - Медни и калаени съдове.
 - Замърсени с пепел, восък, грес или мастило съдове.
- Цветовите на стъклените декорации и частите от алуминий/сребро могат да се променят и да избледнеят в процеса на миене. Някои видове стъкло (напр. кристалните предмети) могат да станат непрозрачни след няколко измивания.

ПОВРЕДИ ПО ЧАШИТЕ И СЪДОВЕТЕ

- Използвайте само стъклени и порцеланови съдове, за които производителят гарантира, че са подходящи за съдомиялна машина.
- Използвайте деликатен почистващ препарат, подходящ за Вашите съдове
- Изваждайте чашите и приборите от съдомиялната машина веднага след края на програмата за миене.

СЪВЕТИ ЗА ПЕСТЕНЕ НА ЕНЕРГИЯ

• Когато домашната съдомиялна машина се използва съгласно инструкциите на производителя, **измиването на посуда в съдомиялна обикновено консумира ПО-МАЛКО ЕНЕРГИЯ И ВОДА в сравнение с миенето на ръка.**

• За да максимизирате ефективността на съдомиялната машина, **препоръчително е да стартирате цикъл на миене, след като машината е заредена докрай.** Зареждането на домашната **съдомиялна машина до капацитета**, посочен от производителя, ще спомогне да спестите енергия и вода. Информацията относно правилното зареждане на посудата можете да намерите в глава **ЗАРЕЖДАНЕ НА КОШНИЦИТЕ**.

При частично зареждане е препоръчително да използвате специално предназначени опции (Half load/ Zone Wash/ Multizone), като напълните само избраните кошници. Неправилното зареждане или препълване на съдомиялната машина може да увеличи потреблението на ресурси (като вода, енергия и време, както и да увеличи нивото на шум), което ще намали ефективността на измиване и сушене.

• Предварителното изплакване на посудата на ръка води до увеличено потребление на вода и енергия, затова не е препоръчително.

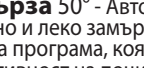
ХИГИЕНА

За да избегнете миризми и утайки, които могат да се натрупат в съдомиялната машина, **моля, пускате програма при висока температура най-малко веднъж месечно.** Използвайте супена лъжица препарат и пуснете уреда без да зареждате съдове, за да го почистите.

УСТОЙЧИВОСТ НА МРАЗ

Ако уредът е поставен на място, изложено на риск от замръзване, **той трябва да се източни напълно.** Затворете крана за вода, отстранете вхо-дящия и изходящия маркуч и оставете цялата вода да изтече. **Уверете се, че омекотителят за вода е пълен с разтворена регенерираща сол в контейнера за сол**, за да предпазите уреда от температури до -20°C. Ако уредът е бил съхраняван при условия на замръзване, уредът трябва да остане при температура на околната среда мин. 5°C за **поне 24 часа** преди първото пускане.

ТАБЛИЦА НА ПРОГРАМИТЕ

Програма	Описание на програмите	Фаза на сушене NaturalDry	Налични опции *)	Времетра- е на про- грамата за миене (ч:МИН **)	Потреб- ление на вода (литра/ програма)	Потребле- ние на енергия (kWh/ програма)
 Есо	Еко 50° - Програмата е подходяща за почистване на нормално замърсена домакинска посуда, като използвана по този начин, програмата е най-ефективна по отношение на комбинираното потребление на енергия и вода и отговаря на законодателството на ЕС по отношение на екологичния дизайн.	✓ ✓		4:00	9,5	0,65
 Бърза	Бърза 45° - Програмата се препоръчва за ограничено количество леко замърсени съдове без засъхнали остатъци от храна. Не включва фаза на сушене.	- ✓		0:30 - 0:40	10,0 - 12,0	0,55 - 0,65
 Кристал	Кристал 45° - Програма за фини изделия, които са чувствителни към високи температури, например стъклени и порцеланови чаши.	✓ ✓		1:40 - 1:50	12,5 - 16,5	0,95 - 1,20
 Авт. Интензив	Авт. Интензив 65° - Автоматична програма за силно замърсени съдове и тигани.	✓ ✓		2:25 - 3:10	15,5 - 24,5	1,30 - 1,70
 Авт. Микс	Авт. Микс 55° - Автоматична програма за нормално замърсени съдове с остатъци от засъхнала храна.	✓ ✓		1:20 - 3:00	7,5 - 19,5	0,75 - 1,20
 Авт. Бърза	Авт. Бърза 50° - Автоматична програма за нормално и леко замърсени съдове. Всекидневната програма, която осигурява оптимална ефективност на почистването и изсушаването за по-кратко време.	✓ ✓		1:00 - 1:50	7,5 - 15,5	0,70 - 1,10
 Предв. Изплакване	Предв. Изплакване - Използва се за освежаване на съдовете, които ще бъдат измити по-късно. За тази програма не се използва препарат.	- ✓		0:12	4,5	0,10
 Самопочистване	Самопочистване 65° - Програмата, която се използва за извършване на поддръжка на съдомиялната машина, следва да се изпълнява само когато машината е ПРАЗНА и с препарати, специално предназначени за поддръжка на съдомиялна машина.	- -		1:15	11,0	1,10

Данните за програмата ЕКО са измерени в лабораторни условия съгласно Европейски стандарт EN 60436:2020.

Бележки за тестовите лаборатории: за информация относно сравнителните с EN тестови условия изпратете имейл на следния адрес: dw_test_support@whirlpool.com


Не е необходимо предварително третиране на съдовете преди пускане на която и да било програма.


*) Не всички опции могат да се използват едновременно.

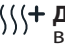
**) Стойностите, дадени за програмите, с изключение на програмата Есо, са само ориентировъчни. Реалното време може да се различава в зависимост от множество фактори, като температурата и налягането на подаваната вода, температурата в помещението, количеството препарат, количеството и вида на зареждането, балансирането на зареждането, допълнителните изборни опции и калибрирането на сензора. Калибрирането на сензора може да увеличи продължителността на програмата с до 20 мин.


ОПЦИИ И ФУНКЦИИ

ОПЦИИ могат да се избират/отменят след избор на програма директно чрез натискане на съответния бутон (ако има такъв - индикаторът светва) (вж. КОНТРОЛЕН ПАНЕЛ). Ако дадена опция не е съвместима с избраната програма (вж. ТАБЛИЦА НА ПРОГРАМИТЕ), съответният светодиод мига бързо 3 пъти и се чува звукови сигнали. Опцията не се активира. Една опция може да промени времето или консумацията на вода или енергия за програмата.

 **POWER CLEAN®** - Благодарение на допълнителните мощни водни струи, тази опция осигурява по-интензивно и по-силно измиване в специфичната зона в долната кошница. Тази опция се препоръчва за измиване на тенджери и огнеупорни съдове. (моля, направете справка с раздела за зареждане на Power Clean®).

 **ПОЛОВИН ЗАРЕЖДАНЕ** - ако няма много съдове за миене, за икономия на вода, ел. енергия и време се използва ПОЛОВИН ЗАРЕЖДАНЕ. **Не забравяйте да намалите количеството миеш препарат.**

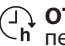
 **ДОПЪЛНИТЕЛНО ИЗСУШАВАНЕ** - По-високата температура по време на последното изплакване и удължената фаза на сушене позволява подобро сушене. Опцията ДОПЪЛНИТЕЛНО ИЗСУШАВАНЕ удължава програмата за миене.

 **БЕЗШУМНА** - Подходяща за пускане на уреда през нощта. Тази опция може да се използва за ограничаване на емисиите на шум по време на фазите на пране. Това ще увеличи времето на цикъла в зависимост от избора на основен цикъл.

 **ИЗПЛАКВАНЕ ЗА ДЕЗИНФЕКЦИЯ** - Тази опция може да се използва за дезинфекциране на измитите съдове.

Тя ще увеличи температурата на последното изплакване и ще добави антибактериално измиване към избраната програма. Идеална за почистване на съдове и бутилки за хранене. Вратичката на съдомиялната машина трябва да се държи затворена по време на цялата програма, за да се гарантира намаляване на бактериите.

ПРЕДУПРЕЖДЕНИЕ: съдовете е възможно да са много горещи в края на програмата.

 **ОТЛАГАНЕ** - Стартването на програмата може да се отложи за период от време между **0:30 и 24** часа.

1. Изберете програмата и желаните опции. Натиснете (неколкократно) бутона ОТЛАГАНЕ, за да отложите старта на програмата. Може да се настройва от 0:30 до 24 часа. След достигане на настройката за 24 часа натиснете бутона ОТЛАГАНЕ още веднъж, за да деактивирате функцията ОТЛАГАНЕ.

2. Натиснете бутона СТАРТ/Пауза и затворете вратата в рамките на 4 сек. Таймерът ще започне отброяването.

3. След изтичане на времето светлинният индикатор изгасва и програмата започва автоматично.

Функцията ОТЛАГАНЕ не може да се зададе след стартиране на програмата.


 **КРАН НА ВОДАТА ЗАТВОРЕН** - Аларма - Премигва, когато не се подава вода или кранът на водата е затворен.

 **ПОДСВЕТКА С ВРЕМЕТРАЕНЕ** - LED светлина, проектирана на пода, показва оставащото време до края на цикъла. Лампата изгасва при всяко отваряне на вратата. Лампата изгасва в края на всеки цикъл. Тази функция е активна по подразбиране, но е възможно да се изключи от МЕНЮ НАСТРОЙКИ.

 **ОТСТРАНЯВАНЕ НА КОТЛЕН КАМЪК - Аларма** - Открито е натрупване на котлен камък по вътрешните компоненти на уреда. Проверете дали **Настройката За Твърдост На Водата** е на правилната стойност и дали има сол в контейнера за сол (вж. УПОТРЕБА ЗА ПРЪВ ПЪТ), след това **използвайте продукт за отстраняване на котлен камък** (препоръчва се марка WPro) с **програма Самопочистване**. След успешно отстраняване на котления камък иконата ще спре да се показва. Ако действията по-горе не бъдат извършени, работата на продукта ще се влоши. Предупреждението **ОТСТРАНЯВАНЕ НА КОТЛЕН КАМЪК** ще започне да мига и на дисплея ще се появи аларма «dES». Ако все още не се предприемат действия, уредът ще позволи само определен брой цикли да бъдат стартирани (посочено по време на показването на алармата «dES») и след това ще бъде **БЛОКИРАН**, за да се предотврати повреда на компонента, **като е налична само програма Самопочистване**. Извършването на пълно отстраняване на котления камък ще деблокира продукта. В случай на изключително големи количества варовик може да се наложи премахването на котления камък да се извърши два пъти, за да бъде ефективно.

NaturalDry - Това е система за конвекционна сушене, която автоматично отваря вратата по време на/след фазата на сушене, за да осигури изключителна ефективност на сушене всеки ден. Вратичката се отваря при температура, която е безопасна за вашите кухненски мебели, следователно тя няма да се отвори, когато е включена опцията ИЗПЛАКВАНЕ ЗА ДЕЗИНФЕКЦИЯ.

Като допълнителна защита от пара, заедно със съдомиялната се добавя специално разработено защитно фолио. За да видите как се монтира предпазното фолио, вижте РЪКОВОДСТВОТО ЗА МОНТАЖ. Тази функция е активна по подразбиране, но е възможно да я деактивирате от меню „МЕНЮ С НАСТРОЙКИ“.

 **ЧУВСТ** - Когато сензорът разпознава нивото на замърсяване, на дисплея се появява анимация (около 20 минути) и продължителността на цикъла се актуализира. Отчитането е за нивото на замърсяване на съдовете и е налице за всички цикли (с изключение на Есо), като съответно се коригира програмата.

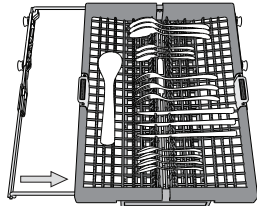
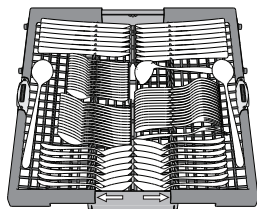
КОШНИЦА ЗА ПРИБОРИ

Третата кошница е проектирана за поставяне на прибори. Подредете приборите, както е показано на фигурата.

Отделното подреждане на приборите прави събирането по-лесно след миене и подобрява ефективността на миенето и сушенето.

Ножовите и другите прибори с остри ръбове трябва да се поставят с остриетата надолу.

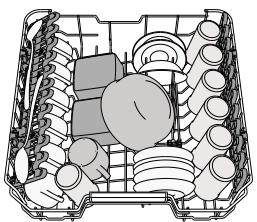
Кошницата за прибори е оборудвана с две плъзгащи се странични тавички за максимално използване на височината на пространството отдолу и за да могат да се подреждат високи изделия в горната кошница.



ГОРНА КОШНИЦА

Заредете деликатните и леки съдове: стъклени и порцеланови чаши, чинийки, ниски купи за салата.

Горната кошница има разгъващи се опори, които могат да се използват във вертикално положение при подреждане на чинийки за чай/десерт или в по-ниска позиция за поставяне на купи и съдове за храна.

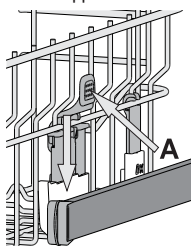


(пример за зареждане на горната кошница)

Регулиране на височината на горната кошница

Височината на горната кошница може да се регулира: висока позиция за поставяне на обемни съдове в долната кошница и ниска позиция за пълноценно използване на наклонящите се опори, като се създава повече място нагоре и се избягва сблъскване с изделията в долната кошница.

Горната кошница е оборудвана с **Регулатор на височината на горната кошница** (вж. фигурата), без да натискате лостовете, повдигнете нагоре, като просто хванете кошницата отстрани веднага след като кошницата стане стабилна в по-високата си позиция. За да възстановите по-ниската позиция, натиснете лостовете **A** отстрани на кошницата и преместете кошницата надолу.

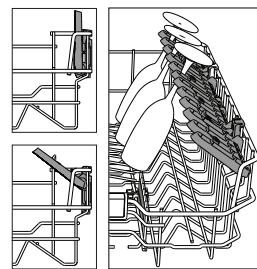


Силно препоръчваме да не регулирате височината на кошницата, когато е заредена. НИКОГА не повдигайте или спускайте кошницата само от едната страна.

Сгъваеми капаци с регулируема позиция

Страничните капаци могат да се сгъват или разгъват, за да се оптимизира подреждането на съдовете в кошницата. Чашите за вино могат да се поставят безопасно в сгъваемите капаци, като столчето на всяка чаша се вмъкне в съответния процеп. В зависимост от модела:

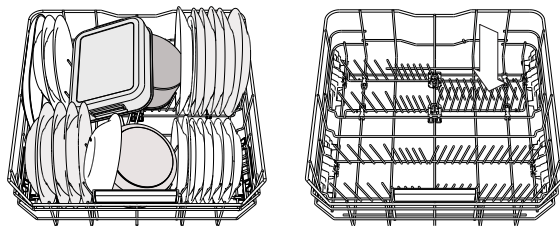
- за да разгънете капациите, е необходимо да ги плъзнете нагоре и да ги завъртите или да ги освободите от закопчалките им и да ги издърпате надолу.
- за да сгънете капациите, е необходимо да ги завъртите и да плъзнете капациите надолу или да ги дръпнете нагоре и да ги закачите за закопчалките.



ДОЛНА КОШНИЦА

За тенджери, капаци, чинии, купи за салата и т.н. Едрите чинии и капаци следва в идеалния случай да се поставят отстрани, за да не възпрепятстват разпръскващото рамо.

Долната кошница има разгъващи се опори, които могат да се използват във вертикално положение при подреждане на чинии или в хоризонтална позиция за лесно поставяне на тави и купи за салата.



(пример за зареждане на долната кошница)

POWER CLEAN® (ПАУЪР КЛИЙН)

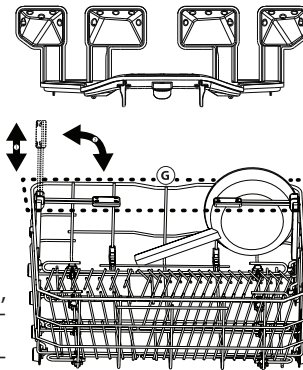
Power Clean® използва специални водни струи отзад на кухнята за по-интензивно измиване на високи замърсени съдове.

Долната кошница има Свободна зона, специална издърпваща се опора в задния край на кошницата, която може да се използва за опора за тигани или тави в изправено положение, така че да заемат по-малко място.

Поставете тенджерите/огнеупорните съдове насочени към компонента Пауър Клийн и активирайте **POWER CLEAN®** на панела.

Как да използвате Power Clean®:

1. Регулирайте зоната на Power Clean® (G), като подгънете задните поставки за чинии, за да заредите с тенджери.
2. Зареждайте тенджери и касероли, наклонени вертикално, в зоната на Power Clean®. Тенджерите трябва да са наклонени към мощните водни струи.



ГРИЖИ И ПОДДРЪЖКА

ПОЧИСТВАНЕ НА ФИЛТЪРНИЯ ВЪЗЕЛ

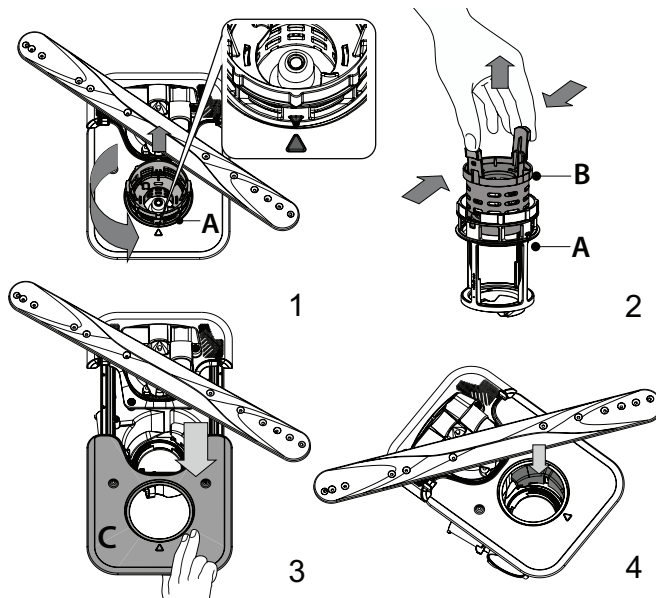
Почиствайте филтърния възел редовно, така че филтрите да не се запушват и отпадъчната вода да се източва правилно. Използването на съдомиялната машина със запушени филтри или външни предмети във филтриращата система или пръскащите рамена, може да влоши работата на уреда и да доведе до намаляване на работните характеристики, шум по време на работа или повишено потребление на ресурси. Филтърният възел се състои от три филтъра, които премахват остатъците от храна от водата от измиване и след това рециркулират водата: за постигане на най-добри резултати от измиването е необходимо да поддържате филтрите чисти.

Съдомиялната машина не трябва да се използва без филтри или ако филтърът е разхлабен.

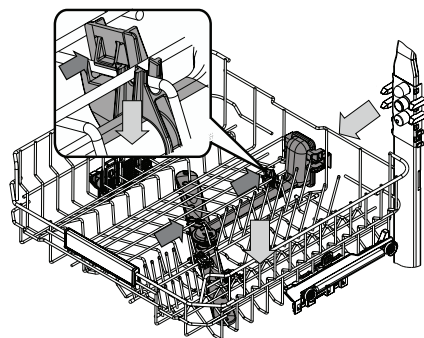
Най-малко веднъж месечно или на всеки 30 цикъла проверявайте филтърния блок и при необходимост го почистете старателно с течаща вода, като използвате неметална четка и следвате инструкциите по-долу:

1. Завъртете цилиндричния филтър **A** обратно на часовниковата стрелка и го издърпайте (Фиг. 1). **Важно е, когато монтирате повторно филтъра, двата триъгълника, показани на увеличението, да се срещнат.**
2. Свалете филтъра чашка **B**, като приложите лек натиск върху страничните капаци (Фиг. 2).
3. Плъзнете навън филтъра-пластина от неръждаема стомана **C** (Фиг. 3).
4. В случай че намерите външни предмети (като счупени стъкла, порцелан, кости, семена на плодове и др.), **внимателно ги отстранете.**
5. Проверете уловителя и премахнете остатъците от храна. **НИКОГА НЕ МАХАЙТЕ** предпазителя на помпата за цикъла на измиване (показано е със стрелка) (Фиг. 4)

След почистване на филтрите поставете филтърния блок отново и го закрепете правилно на място; това е от ключово значение за поддържане на ефективната работа на съдомиялната машина.

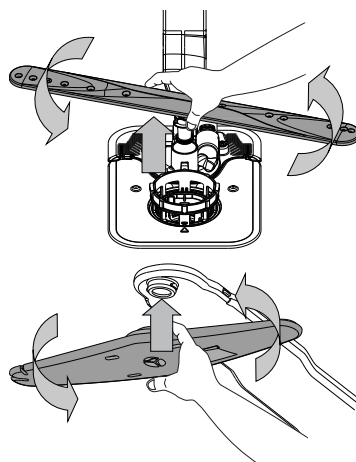


ПОЧИСТВАНЕ НА РАЗПРЪСКВАЩИТЕ РАМЕНЕ



Понякога остатъците от храна е възможно да засъхнат върху разпръскващите рамене и да запушат отворите за разпръскване на вода. Следователно се препоръчва да проверявате раменете от време на време и да ги почиствате с малка неметална четка.

За да извадите горната пръскалка, трябва да я извадите заедно с колектора.



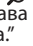
Можете да свалите долното разпръскващо рамо, като го издърпате нагоре и го завъртите обратно на часовниковата стрелка. Монтирането обратно на разпръскващото рамо става чрез издърпване надолу и въртене по часовниковата стрелка.

Горното разпръскващо рамо може да бъде отстранено, като го натиснете нагоре и след това го завъртите обратно на часовниковата стрелка. Монтирането обратно на разпръскващото рамо става чрез издърпване нагоре и завъртане по часовниковата стрелка.

ОТСТРАНЯВАНЕ НА НЕИЗПРАВНОСТИ

В случай че съдомиялната машина не работи нормално, проверете дали проблемът може да бъде решен, като прегледате следния списък. За други грешки или неизправности се свържете с отдела за следпродажбено обслужване, като данните за контакт можете да намерите в книжката за гаранцията. Резервните части ще бъдат налични за период от 7 или до 10 години, в съответствие със специфичните изисквания на регламента

ПРОБЛЕМИ	ВЪЗМОЖНИ ПРИЧИНИ	РЕШЕНИЯ
Индикаторът за сол свети	Резервоарът за сол е почти празен.	Напълнете отново резервоара със сол (вж. ЗАРЕЖДАНЕ НА РЕЗЕРВОАРА ЗА СОЛ). Проверете настройката за твърдост на водата, ако е необходимо - вжте ТАБЛИЦА ЗА ТВЪРДОСТ НА ВОДАТА.
Индикаторът за сол мига.	Резервоарът за сол е празен.	Напълнете отново резервоара със сол възможно най-скоро. Използването на уреда без сол може да причини повреда на вътрешните му компоненти.
Индикаторът за препарат за изплакване свети или мига.	Дозаторът на препарата за изплакване е празен. (След допълване на препарат за изплакване индикаторът може да остане да свети още малко).	Напълнете отново дозатора на препарата за изплакване (за повече информация – вж. ЗАРЕЖДАНЕ НА ДОЗАТОРА ЗА ПОМОЩНО СРЕДСТВО ЗА ИЗПЛАКВАНЕ).
Индикаторът за отстраняване на котлен камък свети или мига; Показва се аварийна сигнализация „dES“.	Котленият камък се натрупва върху вътрешните компоненти на уреда.	Отстранете котления камък от уреда незабавно, като използвате програмата Самопочистване и предлаган в търговската мрежа продукт за отстраняване на котлен камък (вж. ОПЦИИ И ФУНКЦИИ). Напълнете отново резервоара със сол. Проверете настройката за твърдост на водата. Ако котленият камък не бъде премахнат, уредът ще спре да функционира.
Съдомиялната машина не стартира или не реагира на команди.	Уредът не е включен в контакта както трябва.	Включете щепсела в контакта.
	Спиране на захранването.	От съображения за безопасност съдомиялната машина може да не стартира автоматично след пускане на електрозахранването. Отворете вратата, натиснете бутона СТАРТ/Пауза и затворете вратата в рамките на 4 секунди.
	Вратата на съдомиялната не е затворена. Щифтът NaturalDry не е изтеглен.	Натиснете вратата силно, докато чуete щракване.
	Един цикъл се прекъсва от отваряне на вратата за повече от 4 секунди.	Натиснете СТАРТ/Пауза и затворете вратата в рамките на 4 секунди.
Съдомиялната машина не източва. На дисплея се показва: F7 E3 или F9 E1	Филтърът е запушен с остатъци от храна или котлен камък.	Почистете филтъра и отстранете котления камък от уреда (вжте ПОЧИСТВАНЕ НА ФИЛТЪРНИЯ ВЪЗЕЛ и ИНСТРУКЦИИ ЗА ОТСТРАНЯВАНЕ НА КОТЛЕН КАМЪК).
	Дренажният маркуч е прегънат.	Проверете дренажния маркуч (вж. ИНСТРУКЦИИ ЗА МОНТАЖ).
	Тръбата за източване на мивката е запушена.	Съдомиялната издава прекомерно много шум.
Съдомиялната издава прекомерно много шум.	Съдовете тракат един в друг.	Поставете съдовете правилно (вж. ЗАРЕЖДАНЕ НА КОШНИЦИТЕ).
	Има прекомерно количество пяна.	Препаратът не е измерен правилно или не е подходящ за използване в съдомиялни машини (вж. ЗАРЕЖДАНЕ НА ДОЗАТОРА ЗА МИЯЛЕН ПРЕПАРАТ). Рестартирайте текущия цикъл, като изключите и отново включите съдомиялната машина, изберете нова програма, натиснете СТАРТ/Пауза и затворете вратата в рамките на 4 секунди. Ne dodajajte pomivalnega sredstva.
	Съдовете не са подредени правилно.	Подредете съдовете правилно (вж. ЗАРЕЖДАНЕ НА КОШНИЦИТЕ).
	Филтърът е запушен с остатъци от храна или котлен камък.	Почистете филтърния механизъм (вж. ГРИЖИ И ПОДДРЪЖКА).
Съдовете не са почистени.	Съдовете не са подредени правилно.	Подредете съдовете правилно (вж. ЗАРЕЖДАНЕ НА КОШНИЦИТЕ).
	Разпръскващите рамена не могат да се въртят свободно, тъй като съдовете им пречат.	Подредете съдовете правилно (вж. ЗАРЕЖДАНЕ НА КОШНИЦИТЕ). Проверете дали горната кошница е в правилната позиция и регулирайте (повдигнете), ако е необходимо.
	Цикълът на измиване е твърде кратък.	Изберете подходящ цикъл на измиване (вж. ТАБЛИЦА НА ПРОГРАМИТЕ).
	Има прекомерно количество пяна.	Препаратът не е измерен правилно или не е подходящ за използване в съдомиялни машини (вж. ЗАРЕЖДАНЕ НА ДОЗАТОРА ЗА МИЯЛЕН ПРЕПАРАТ).
	Капачката на отделението за препарата за изплакване не е затворена правилно.	Уверете се, че капачката на дозатора за препарата за изплакване е затворена.
	Филтърът е запушен с остатъци от храна или котлен камък.	Почистете филтъра и отстранете котления камък от уреда (вж. ПОЧИСТВАНЕ НА ФИЛТЪРНИЯ ВЪЗЕЛ).
	Резервоарът за сол е празен.	Допълнете резервоара за сол (вж. ЗАРЕЖДАНЕ НА РЕЗЕРВОАРА ЗА СОЛ).

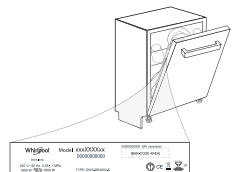
ПРОБЛЕМИ	ВЪЗМОЖНИ ПРИЧИНИ	РЕШЕНИЯ
„Съдомиялната машина не зарежда вода. На дисплея се изписва: H2O и  свети; прозвучава звукова аларма.“	Не се подава вода или кранът е затворен.	Уверете се, че във водопровода има вода и че кранът за вода е отворен.
	Маркучът за подаване на вода е прегънат.	Проверете маркуча за подаване на вода (вж. ИНСТРУКЦИИ ЗА МОНТАЖ). Отворете вратата, натиснете бутона СТАРТ/Пауза и затворете вратата в рамките на 4 секунди.
	Мрежичката в маркуча за подаване на вода е запушена; необходимо е да я почистите.	Проверете и почистете мрежичката на маркуча за подаване на вода. Отворете вратата, натиснете бутона СТАРТ/Пауза и затворете вратата в рамките на 4 секунди.
Съдомиялната машина спира цикъла преждевременно. На дисплея се изписва: F8 E3	Филтърът е запушен с остатъци от храна или котлен камък.	Почистете филтъра и отстранете котления камък от уреда (вижте ПОЧИСТВАНЕ НА ФИЛТЪРНИЯ ВЪЗЕЛ и ИНСТРУКЦИИ ЗА ОТСТРАНЯВАНЕ НА КОТЛЕН КАМЪК).
	Маркучът за източване е поставен твърде ниско или водата се източва в домашната канализационна система.	Проверете дали краят на маркуча е разположен на правилната височина (вж. ИНСТАЛИРАНЕ). Проверете дали маркучът не се оттича в домашната канализационна система и ако е необходимо, монтирайте тапа за сифона / въздушна клапа.
	Има прекомерно количество пяна.	Препаратът не е измерен правилно или не е подходящ за използване в съдомиялни машини (вж. ЗАРЕЖДАНЕ НА ДОЗАТОРА ЗА МИЯЛЕН ПРЕПАРАТ).
	Въздух в системата за подаване на вода.	Проверете водоподаващата система за течове или други проблеми, поради които в нея нахлува въздух.
Съдовете не са изсъхнали добре.	Няма препарат за изплакване или дозата е твърде малка.	Уверете се, че дозаторът за препарат за изплакване е пълен (вж. ЗАРЕЖДАНЕ НА ДОЗАТОРА ЗА ПОМОЩНО СРЕДСТВО ЗА ИЗПЛАКВАНЕ). Само мултифункционалните таблетки няма да осигурят толкова добър изсушаващ ефект, колкото действителното използване на течен препарат за изплакване.
	Съдовете са били извадени след автоматично отваряне на вратата, но преди реалния край на програмата.	Уверете се, че цикълът е приключил, преди да започнете да изваждате съдовете (вж. ВСЕКИДНЕВНА УПОТРЕБА). За още по-добри резултати на сушене се препоръчва да оставите съдовете да стоят вътре в съдомиялната с отворена врата за още 15 минути след края на програмата.
	Съдовете стоят прекалено хоризонтално.	Ако забележите локви вода в отворите за чаши, големи чаши или купи, опитайте да заредите съдовете (особено в горната поставка), като осигурите по-голям наклон, за да оставите по-големи количества вода да капят надолу, преди да започне сушенето.
	Избраната програма няма фаза на сушене.	Моля, проверете в ТАБЛИЦА НА ПРОГРАМИТЕ дали избраната програма е оборудвана с фаза на сушене. Цикъл без фаза на сушене може да не осигури желаната ефективност на сушене, така че се препоръчва да промените избора на цикъл с такъв, който има фаза на сушене.
	Съдовете имат незалепващо покритие или са пластмасови.	Няколко водни капки, останали върху този тип материал, са нормални.
Съдовете и чашите имат сини ивици или синкави оттенъци.	Дозата на препарат за изплакване е прекалено голяма.	Регулирайте дозировката до по-ниска настройка.
Съдовете и чашите са покрити с варовик или белезникав филм.	Резервоарът за сол е празен.	Напълнете отново резервоара със сол възможно най-скоро. Използването на уреда без сол може да причини повреда на вътрешните му компоненти.
	Настройката за твърдост на водата е твърде ниска.	Увеличете настройката (вж. ТАБЛИЦА ЗА ТВЪРДОСТ НА ВОДАТА).
	Капачката на резервоара за сол не е затворена правилно.	Проверете и затворете капачката на резервоара за сол.
Резервоарът за препарат за изплакване е празен или дозировката на препарат за изплакване е недостатъчна.	Напълнете отново дозатора с препарат за изплакване и проверете настройката на дозировката (за допълнителна информация - вж. ЗАРЕЖДАНЕ НА ДОЗАТОРА ЗА ПОМОЩНО СРЕДСТВО ЗА ИЗПЛАКВАНЕ).	
Съдомиялната показва F8 E5	Клапанът е блокиран или повреден.	Затворете крана на водата, ако е възможно. Не изключвайте захранването. Обърнете се на сервизен екип.



Фирмени политики, стандартна документация, поръчка на резервни части и допълнителна информация за продукти можете да намерите на:

- Използване на QR код и посещение на нашия уебсайт: docs.whirlpool.eu
- Посетите нашия уебсайт: parts-selfservice.whirlpool.com
- Като алтернатива можете да се **свържете с отдела за следпродажбено обслужване** (вижте телефонния номер в гаранционната книжка). При контакт с отдела за следпродажбено обслужване на клиенти съобщавайте кодовете, посочени на заводската табелка на Вашия уред.

Информацията за модела може да бъде извлечена чрез сканиране на QR кода на етикета за енергийния клас. На етикета също така е даден идентификатор на модела, който може да се използва за достъп до портала на регистъра на адрес <https://eprel.ec.europa.eu>





DĚKUJEME VÁM, ŽE JSTE SI ZAKOUPILI VÝROBEK ZNAČKY WHIRLPOOL
Pro získání komplexnější asistence zaregistrujte prosím svůj spotřebič na: www.whirlpool.eu/register

Před použitím spotřebiče si pečlivě přečtěte tento návod k použití a instalaci. Více informací o produktu naleznete na webových stránkách: docs.whirlpool.eu.

Po instalaci nezapomeňte z myčky odstranit všechny přepravní ochranné díly.

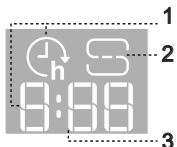
OVLÁDACÍ PANEL



1. Tlačítko ZAPNOUT/VYPNOUT/Resetování s kontrolkou
2. Tlačítko volby programu Eco s kontrolkou
3. Tlačítko volby programu Auto Rychlý s kontrolkou/ program Předmytí - stisknout 3 sekundy
4. Tlačítko volby programu Křišťál s kontrolkou/ program Autočištění - stisknout 3 sekundy
5. Tlačítka Automatických programů se světelnými kontrolkami - Auto Intenzivní 65° / Auto Smíšený 55° / Auto Rychlý 50°
6. Kontrolka prázdného zásobníku soli
7. Kontrolka prázdného zásobníku leštidla

8. Displej
9. Ukazatel čísla programu a zbývajících času
10. Kontrolka Uzavřený Vodovodní Kohoutek
11. Kontrolka ODVÁPŇENÍ
12. Tlačítka Extra možnosti se světelnými kontrolkami – Poloviční náplň / Tichý / Hygienický oplach
13. Tlačítko volby funkce Power Clean® s kontrolkou
14. Tlačítko volby Sušení Extra s kontrolkou/ Nastavení – stisknout 3 sekundy
15. Tlačítko volby Odložený Start s kontrolkou
16. Tlačítko SPUSTIT/Pozastavit s kontrolkou

DISPLEJ NA SPODNÍ STRANĚ (PODLAZE)



1. Zobrazení zpoždění začátku na podlaze – ukazatel času zbývajících do začátku cyklu, když je nastavena možnost zpoždění
2. Zásobník soli je prázdný – kontrolka na podlaze
3. Zobrazení zbývajících času na podlaze – ukazatel času zbývajících do konce cyklu

PRVNÍ POUŽITÍ

NABÍDKA NASTAVENÍ

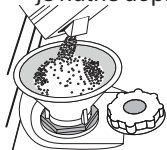
1. Zapněte spotřebič stiskem tlačítka ZAPNOUT/VYPNOUT.
2. Podržte tlačítko Nastavení (Sušení Extra) po dobu 3 sekund, dokud neuslyšíte pípnutí a na displeji se zobrazí „SET“.
3. Po jedné sekundě se zobrazí první dostupné nastavení (písmeno „h“).
4. Stisknutím Automatických programů / Extra možnosti procházejte seznam dostupných nastavení (viz tabulku níže), poté stiskněte SPUSTIT/Pozastavit pro zobrazení a změnu hodnoty aktuálně zvoleného nastavení.
5. Stiskněte Automatických programů / Extra možnosti pro změnu hodnoty, poté stiskněte SPUSTIT/Pozastavit pro uložení nové hodnoty.
6. Chcete-li změnit další nastavení, opakujte body 2 a 5.
7. Stiskněte ZAPNOUT/VYPNOUT nebo počkejte 30 sekund pro opuštění nabídky.

PÍSMENO	NASTAVENÍ	HODNOTY (Výchozí – tučně)
h	Úroveň tvrdosti vody (viz „NASTAVENÍ TVRDOSTI VODY“ a „TABULKA TVRDOSTI VODY“)	1 2 3 4 5
F	Množství leštidla (viz „NASTAVENÍ DÁVKOVÁNÍ LEŠTIDLA“)	0 1 2 3 4 5
0	NaturalDry (viz „MOŽNOSTI A FUNKCE“) „1“ = zapnuto, „0“ = vypnuto	1 0
1	Časový údaj promítaný na podlahu (viz „MOŽNOSTI A FUNKCE“) „1“ = zapnuto, „0“ = vypnuto	1 0
5	Zvuk „1“ = zapnuto, „0“ = vypnuto	1 0
-	Tovární nastavení Stisknutím SPUSTIT/Pozastavit obnovíte výchozí tovární nastavení všech hodnot nastavení obsažených v nabídce nastavení.	-

NAPLNĚNÍ ZÁSOBNÍKU SOLI

Použití soli vede k předcházení usazování VODNÍHO KAMENE na nádobí a funkčních součástech myčky. Zásobník soli se nachází ve spodní části myčky (pod spodním košem na levé straně).

- ZÁSOBNÍK NA SŮL nesmí NIKDY ZŮSTAT PRAZDŇÝ.
- Nastavení tvrdosti vody je důležité.
- Pokud se rozsvítí kontrolka DOPLNĚNÍ SOLI na ovládacím panelu, je nutné doplnit sůl.



1. Vytáhněte spodní koš a odšroubujte víčko zásobníku (proti směru hodinových ručiček).
2. Umístěte trychtýř (viz obrázek) a naplňte zásobník solí až po okraj (přibližně 0,5 kg); odtékání určitého množství vody je přitom normální.
3. Následující kroky provádějte pouze při prvním použití: Naplňte zásobník soli vodou.

4. Vyměňte trychtýř a otrepte z otvoru přebytečnou sůl. Ujistěte se, že je víčko pevně dotaženo, aby se do zásobníku nedostal při mytí žádný mycí prostředek (to by mohlo vést k neopravitelnému poškození změkčovače vody).

Pokaždé, jakmile dokončíte doplňování zásobníku soli, spusťte program, abyste zabránili korozi.

Nastavení tvrdosti vody

Abyste mohli změkčovač vody řádně fungovat, je nezbytné nastavit tvrdost vody podle skutečných hodnot platných pro vodu ve vašem domě. Informaci o tvrdosti vody v řadě získáte od místního dodavatele vody.

Tovární nastavení pro průměrnou tvrdost je „3“. Viz TABULKA TVRDOSTI VODY. Pro provádění změn viz pokyny v části „NABÍDKA NASTAVENÍ“.

Tabulka tvrdosti vody			
Stupeň	°dH Německé stupně	°fH Francouzské stupně	°Clark Anglické stupně
1 (měkká)	0 - 6	0 - 10	0 - 7
2 (střední)	7 - 11	11 - 20	8 - 14
3 (středně tvrdá)	12 - 16	21 - 29	15 - 20
4 (tvrdá)	17 - 34	30 - 60	21 - 42
5 (velmi tvrdá)	35 - 50	61 - 90	43 - 62

Používejte výhradně sůl určenou pro myčky nádobí.

Poté, co do myčky nasypete sůl, zhasne kontrolka DOPLNĚNÍ SOLI. Pokud není zásobník na sůl doplněn, může to vést k poškození změkčovače vody a topného tělesa v důsledku nahromadění vodního kamene. Sůl doporučujeme používat s každým typem prostředku na mytí nádobí.

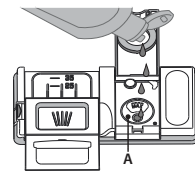
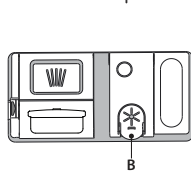
SYSTEM PRO ZMĚKČOVÁNÍ VODY

Změkčovač vody automaticky snižuje tvrdost vody, a zabraňuje tak nahromadění vodního kamene na ohřivači a přispívá k vyšší účinnosti mytí. Tento systém k regeneraci využívá sůl, proto je nutné doplňovat zásobník na sůl, když se vyprázdní. Četnost regenerace závisí na nastavení úrovně tvrdosti vody – s úrovní tvrdosti nastavené na 3 probíhá regenerace jednou za 4-6 Eco cyklů. Proces regenerace probíhá na začátku cyklu pomocí většího množství čisté vody.

- Spotřeba během jedné regenerace: ~ 3 l vody;
- Prodloužení cyklu až o 5 minut;
- Spotřeba méně než 0,005 kWh energie.

DOPLNĚNÍ DÁVKOVAČE LEŠTIDLA

Díky leštidlu nádobí lépe schne. Zásobník leštidla A by měl být doplněn pokaždé, když se na ovládacím panelu rozsvítí kontrolka NEDOSTATEK LEŠTIDLA.



1. Stlačením a zatažením páčky na víku zásobník B otevřete.
2. Opatrně nalijte leštidlo až po maximální hodnotu (110ml) vyznačenou rýskou v hrdle zásobníku – zabraňte jeho přelítí. Pokud dojde k rozlítí, setřete tekutinu okamžitě suchým hadrem.

3. Stiskněte víčko, dokud se s cvaknutím nezavře. NIKDY nelijte leštidlo přímo do myčky.

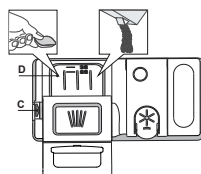
Nastavení dávkování leštidla

Nejste-li plně spokojeni s výsledky sušení, můžete nastavit množství použitého leštidla. Pro provádění změn viz pokyny v části „NABÍDKA NASTAVENÍ“. Je-li úroveň dávkování leštidla nastavena na „NULA“, nebude dávkováno žádné leštidlo. Dojde-li leštidlo, kontrolka „NEDOSTATEK LEŠTIDLA“ se nerozsvítí. V závislosti na konkrétním modelu myčky lze nastavit maximálně 6 úrovně.

- Pokud jsou na nádobí patrné modravé odlesky, nastavte nízké hodnoty (0-3).
- Jsou-li na nádobí stopy vodního kamene, nastavte vyšší číslo (4-5).

DOPLNĚNÍ DÁVKOVAČE MYCÍHO PROSTŘEDKU

K otevření zásobníku mycího prostředku použijte otvírací prvek C. Dávkuje mycí prostředek výhradně do suchého zásobníku D. Prostředek pro předmytí dávkuje přímo do prostoru myčky.



1. Při dávkování mycího prostředku se řiďte předchozími pokyny, abyste odměřili správné množství. Uvnitř zásobníku **D** se nacházejí značky, které pomohou při dávkování mycího prostředku.
2. Odstraňte zbytky mycího prostředku z okraje zásobníku a pak jej zavřete tak, aby bylo slyšet cvaknutí.
3. Tahem zavřete víčko zásobníku mycího prostředku, dokud zavírací prvek nezapadne na své místo.

Zásobník se automaticky otevře v pravou chvíli v závislosti na použitém programu.

Použití čistícího prostředku, který není určený pro myčky nádobí, může způsobit nesprávný chod nebo poškození spotřebiče.

DENNÍ POUŽÍVÁNÍ

1. ZKONTROLUJTE PŘIPOJENÍ K VODOVODNÍ SÍTI

Zkontrolujte, zda je myčka připojena k vodovodní síti a zda je vodovodní kohoutek otevřený.

2. ZAPNĚTE MYČKU

Otevřete dvířka a stiskněte tlačítko **ZAPNOUT/VYPNOUT**.

3. VLOŽTE NÁDOBÍ (viz PLNĚNÍ KOŠŮ).

4. PLNĚNÍ DÁVKOVAČE MYCÍHO PROSTŘEDKU

5. VYBERTE PROGRAM A PŘÍZPUSOBTE CYKLUS

Nejvhodnější program vyberete v závislosti na druhu nádobí a míře jeho zašpinění (viz **POPIS PROGRAMŮ**) stisknutím tlačítka vybraného **PROGRAMU**. Vyberte požadované možnosti (viz „**MOŽNOSTI A FUNKCE**“). Ne všechny možnosti jsou kompatibilní se všemi programy.

6. SPUSTIT

Mycí cyklus spustíte stiskem tlačítka **SPUSTIT/Pozastavit** (LED kontrolka svítí) a následným uzavřením dvířek do 4 sekund. Jakmile program začne, uslyšíte jedno pípnutí. Pokud dvířka nejsou do 4 sekund uzavřena, rozesní se výstražné upozornění. V takovém případě dvířka otevřete, stiskněte tlačítko **SPUSTIT/Pozastavit** a znovu je uzavřete při dodržení čtyřsekundového časového limitu.

7. KONEC MYCÍHO CYKLU

Konec mycího cyklu oznámí zvukové znamení a na displeji se zobrazí **END (KONEC)**. Otevřete dvířka a vypněte spotřebič stiskem tlačítka **ZAPNOUT/VYPNOUT**.

Před vyklizením nádobí chvíli počkejte, předejdete tak popálení. Vyklíďte nádobí z košů – začněte spodním.

ÚPRAVA NASTAVENÍ BĚŽÍCÍHO PROGRAMU

Došlo-li k výběru nesprávného programu, je možné jej změnit za předpokladu, že od jeho spuštění uplynula pouze krátká chvíle. **RESET** spotřebiče: Stiskněte tlačítko **ZAPNOUT/VYPNOUT** a podržte ho po dobu delší než 3 sekundy, načež se spotřebič vypne. **Na ovládacím panelu bude svítit „0:01“**. Zavřete dvířka a vyčkejte, dokud neskončí cyklus vypouštění (přibližně 1 minuta). Otevřete dvířka a stisknutím tlačítka **ZAPNOUT/VYPNOUT** spotřebič opět zapnete a zvolte nový mycí program spolu s požadovanými možnostmi. Mycí cyklus spustíte stiskem tlačítka **SPUSTIT/Pozastavit** a uzavřením dvířek do 4 sekund.

PŘIDÁNÍ DALŠÍHO NÁDOBÍ

Bez toho, abyste spotřebič vypínali, otevřete nejprve mírně dvířka, aby voda nevystříkla ven (LED kontrolka **SPUSTIT/Pozastavit** začne blikat) (**Pozor! Horká pára!**) a vložte nádobí do myčky. Stiskněte tlačítko **SPUSTIT/Pozastavit** a do 4 sekund uzavřete dvířka. Cyklus se opětovně spustí od místa, ve kterém byl přerušen.

NÁHODNÁ PŘERUŠENÍ

Dojde-li v průběhu mycího cyklu k otevření dvířek nebo výpadku elektrického napájení, cyklus se zastaví. **POUZE POKUD STISKNETE** tlačítko **SPUSTIT/Pozastavit** a do 4 sekund zavřete dvířka, cyklus se opětovně spustí od místa, ve kterém byl přerušen.

DOPORUČENÍ A TYPY

RADY

Před plněním košů odstraňte z nádobí všechny zbytky jídel a vyprázdněte sklenice. **Nádobí není třeba oplachovat pod tekoucí vodou.**

Uspořádejte nádobí vmyčce tak, aby pevně leželo na místě a nepřepadávalo; nádobí vkládejte dnem vzhůru a vyduťnými vypuklými povrchy šikmo, aby voda měla přístup ke všem povrchům a zároveň mohla volně odtékat.

Varování: Víka, madla, podnosy a pánve nesmí bránit ostříkovacím ramenům myčky v pohybu.

Drobné předměty vkládejte do koše na příbory. Velmi znečištěné nádobí a hrnce umísťte do spodního koše, protože v této části myčky je proud vody silnější, a lze tak dosáhnout lepší výkonnosti.

Po naplnění myčky ověřte, že se ostříkovací ramena mohou volně otáčet.

NEVHODNÉ NÁDOBÍ

- Dřevěné nádobí a příbory.
- Jemné zdobené sklenice, umělecké, ručně vyrobené a starožitné nádobí. Jejich zdobení není dostatečně odolné.
- Části z plastu neodolávající vysokým teplotám.
- Měděné a cínové nádobí.
- Nádobí zašpiněné popelem, voskem, mazacím tukem či inkoustem.

Barva ozdob na skle a hliníkových/stříbrných kusů nádobí může během mytí vyblednout. Některé druhy skla (např. křišťálové předměty) mohou po několika mycích cyklech zmatnět.

POŠKOZENÍ SKLA A NÁDOBÍ

- Používejte výhradně sklenice a porcelán, u nichž výrobce zaručuje možnost mytí v myčce.
- Používejte jemný mycí přípravek vhodný na porcelánové nádobí
- Vyjměte sklo a příbory z myčky hned po skončení mycího cyklu.

TIPY K ÚSPORĚ ENERGIE

- Pokud se myčka nádobí do domácnosti používá v souladu s pokyny výrobce, je **spotřeba ENERGIE a vody při mytí nádobí v myčce NIŽŠÍ než při mytí v ruce.**
- Pro maximální úspornost myčky nádobí doporučujeme **mycí cyklus spustit až ve chvíli, kdy je myčka zcela zaplněná.** Naplnění myčky nádobí až do plné kapacity uvedené výrobcem přispívá k úspoře energie a vody. Informace o správném vkládání nádobí najdete v kapitole **PLNĚNÍ KOŠŮ**. V případě pouze částečného zaplnění doporučujeme použití příslušného mycího programu, je-li k dispozici (Half load / Zone Wash / Multi Zone) a plnění pouze příslušných košů. Nesprávné nebo nadměrné naplnění myčky může vést ke zvýšení spotřeby (vody, energie a času i zvýšení hluchosti) a k snížení účinnosti mytí a sušení.
- Ruční předmyváání nádobí vede ke zvýšené spotřebě vody a energie a nedoporučujeme jej.

HYGIENA

Aby se předešlo vzniku usazenin a zápachu v myčce, **spusťte nejméně jednou měsíčně program s vysokou teplotou.** Použijte čajovou lžičku mycího prostředku a vsypte ji do prázdné myčky.

ODOLNOST MRÁZU

Pokud je spotřebič umístěn v prostředí, kde je vystaven nebezpečí mrazu, **musí z něj být zcela vypuštěny všechny kapaliny.** Zavřete vodovodní kohoutek, sejměte přívodní a odtokové hadice a nechte veškerou vodu odtéct. Aby byl spotřebič chráněn před teplotami až do $-20\text{ }^{\circ}\text{C}$, **ujistěte se, že změkčovač vody v zásobníku soli je plný rozpuštěné regenerační soli.** Pokud byl spotřebič skladován v mrazu, musí **po dobu nejméně 24 hodin** před prvním spuštěním zůstat při okolní teplotě min. $5\text{ }^{\circ}\text{C}$.

TABULKA PROGRAMŮ

Program	Popis programů	Fáze sušení Natural-Dry	Dostupné funkce *)	Délka mycího programu (h:min)**)	Spotřeba vody (litry/cyklus)	Spotřeba energie (kWh/cyklus)	
Eco	Eco 50° - e vhodný k mytí běžně zašpiněného nádobí, který je pro tento účel nejvýhodnějším programem s ohledem na spotřebu energie a vody a který se využívá k vyhodnocení shody spotřebiče s předpisy Ecodesign EU.	✓	✓	1/2, 1/3, 1/4, POWER CLEAN, +, 1h	4:00	9,5	0,65
	Rychlý 45° - program doporučujeme používat na menší množství lehce zašpiněného nádobí bez zaschlých zbytků jídel. Nezahrnuje fázi sušení.	-	✓	1/2, 1/3, 1/4, +, 1h	0:30 - 0:40	10,0 - 12,0	0,55 - 0,65
	Křítál 45° - Program pro choulostivé nádobí, které je citlivější na vysoké teploty, jako jsou například sklenice a hrnky.	✓	✓	1/2, 1/3, +, 1h	1:40 - 1:50	12,5 - 16,5	0,95 - 1,20
	Auto Intenzivní 65° - Automatický program pro silně zašpiněné nádobí.	✓	✓	1/2, 1/3, 1/4, POWER CLEAN, +, 1h	2:25 - 3:10	15,5 - 24,5	1,30 - 1,70
	Auto Smíšený 55° - Automatický program pro běžně zašpiněné nádobí se zaschlými zbytky jídel.	✓	✓	1/2, 1/3, 1/4, POWER CLEAN, +, 1h	1:20 - 3:00	7,5 - 19,5	0,75 - 1,20
	Auto Rychlý 50° - Automatický program pro běžně a lehce zašpiněné nádobí. Běžný každodenní program zajišťující optimální účinnost mytí a sušení za kratší dobu.	✓	✓	1/2, 1/3, 1/4, POWER CLEAN, +, 1h	1:00 - 1:50	7,5 - 15,5	0,70 - 1,10
	Předmytí - Používejte pro opláchnutí nádobí, které plánujete mýt později. V tomto programu se nepoužívá žádný mycí prostředek.	-	✓	1/2, 1h	0:12	4,5	0,10
	Autočištění 65° - Program slouží k údržbě myčky nádobí. Spouštějte pouze v případě, že je myčka PRAZDNÁ a s použitím speciálního čisticího prostředku určeného k údržbě myčky.	-	-	1h	1:15	11,0	1,10

Údaje pro „ÚSPORNÝ PROGRAM“ jsou měřeny v laboratorních podmínkách podle pokynů evropské normy EN 60436:2020. Poznámka pro zkušební laboratoře: Pro informace o zkušebních podmínkách srovnávací zkoušky EN napište na adresu: dw_test_support@whirlpool.com. Žádný z programů nevyžaduje jakékoli předchozí ošetření nádobí. *) Ne všechny možnosti lze používat zároveň. **) Hodnoty uvedené pro ostatní programy kromě „ÚSPORNÝ PROGRAM“ jsou pouze přibližné. Skutečná doba se může lišit v závislosti na mnoha vlivech, jako je např. teplota, tlak vstupní vody, teplota okolí, množství mycího prostředku, množství a typ nádobí, vyvážení nádobí, zvolené doplňkové možnosti a kalibrace snímačů. Kalibrace snímačů může program prodloužit až o 20min.

MOŽNOSTI A FUNKCE

MOŽNOSTI lze vybírat / a volby rušit po zvolení programu, a to přímým stiskem odpovídajícího tlačítka (je-li možnost dostupná, rozsvítí se indikace) (viz OVLÁDACÍ PANEL). Není-li možnost kompatibilní se zvoleným programem (viz TABULKA PROGRAMŮ), příslušná kontrolka třikrát rychle zabliká a ozve se zvukové znamení. Možnost nebude zvolena. Použití volby může u daného programu vyvolat změnu doby jeho trvání nebo spotřeby vody či energie.

POWER CLEAN® - Díky přídavným vodním tryskám umožňuje tato funkce intenzivnější a účinnější mytí nádobí ve vymezené části spodního koše. Tato funkce se doporučuje pro mytí rendlíků a hrnců (více informací naleznete v části týkající se plnění Power Clean®).

1/2 POLOVIČNÍ NÁPLŇ - Pokud je k mytí pouze malé množství nádobí, lze využít funkci POLOVIČNÍ NÁPLŇ šetřící elektrickou energii, vodu nebo čas, v závislosti na zvoleném programu. Nezapomeňte snížit množství mycího prostředku.

|||+ SUŠENÍ EXTRA - Zvýšená teplota v závěrečné fázi oplachování a prodloužení fáze sušení vedou k zlepšení sušení. Volba možnosti „SUŠENÍ EXTRA“ má za následek prodloužení mycího cyklu.

TICHÝ - Ideální program pro noční provoz spotřebiče. Tuto možnost lze použít k omezení hlučnosti během fázi mytí. Prodlouží dobu trvání cyklu v závislosti na výběru základního cyklu.

HYGIENICKÝ OPLACH - Tuto volbu lze použít pro hygienické vyčištění již umytého nádobí. Zvýší teplotu vody posledního oplachu a k zvolenému programu přidá funkci antibakteriálního mytí. Ideální k mytí čistého nádobí a dětských lahvíček. Dvířka myčky musí být po celou délku programu zavřená, aby mohlo dojít ke zničení choroboplodných zárodků. **VAROVÁNÍ: Nádobí a stěny mohou být na konci programu velmi horké.**

ODLOŽENÝ START - Spuštění programu lze odložit o dobu mezi 30 min až 24 hodinami.

- Zvolte program a případně další možnosti. Odložení spuštění programu nastavíte stiskem tlačítka ODLOŽENÝ START (opakovaně). Spuštění programu lze odložit o 30 minut až 24 hodin. Pokud je při nastavování dosaženo hodnoty „24 hodin“, stiskněte tlačítko ODLOŽENÝ START ještě jednou, abyse funkce ODLOŽENÝ START deaktivovala.
- Stiskněte tlačítko „SPUSTIT/Pozastavit“ a do 4 sekund zavřete dvířka: časovač začne odpočítávat.
- Po vypršení stanoveného času kontrolka zhasne a program se automaticky spustí.

Po spuštění programu již funkci ODLOŽENÝ START zvolit nelze.

ČASOVÝ ÚDAJ PROMÍTANÝ NA PODLAHU - LED světlo nasměrované na podlahu ukazuje informaci o čase, který zbývá do ukončení cyklu. Světlo se rozsvítí s každým otevřením dveří. Světlo zhasne na konci cyklu. Tato funkce se aktivuje v rámci výchozího nastavení, nicméně lze ji deaktivovat v „NABÍDKA NASTAVENÍ“.

ODVÁPŇENÍ - Alarm - Na vnitřních součástech spotřebiče bylo zjištěno nahromadění vodního kamene. Zkontrolujte, zda je **Nastavení tvrdosti vody** na správné hodnotě a zda je v zásobníku soli přítomna **sůl** (další podrobnosti viz PRVNÍ POUŽITÍ), poté **použijte odvápňovací prostředek** (doporučuje se značka WPro) s **programem Autočištění**. Po úspěšném odvápňení se ikona přestane zobrazovat. Pokud nebudou provedeny výše uvedené akce, výkon produktu se zhorší. Varování «Odvápňení» začne blikat a na displeji se zobrazí alarm «DES». Pokud stále neprovedete žádnou akci, spotřebič umožní spuštění pouze určitého počtu cyklů (indikováno během zobrazení alarmu «DES») a poté bude **ZABLOKOVÁN**, aby se zabránilo poškození součástí, **přičemž je k dispozici pouze program Autočištění**. Provedením úplného odstranění vodního kamene dojde k odblokování produktu. V případě extrémně vysokého množství vodního kamene může být nutné odvápňení provést dvakrát, aby bylo účinné.

NaturalDry - Konvenční způsob sušení, kdy se automaticky otevírají dvířka během sušení / po ukončení fáze sušení, aby každý den byla zajištěna mimořádná účinnost sušení. Dvířka se otevřou při teplotě, která je bezpečná pro váš kuchyňský nábytek. Neotevřou se tedy v případě, pokud jste zapnuli možnost **HYGIENICKÝ OPLACH**. Jako doplňkovou ochranu proti horké páře dodáváme k myčce speciálně navrženou ochrannou fólii. Pro informace jak postupovat při instalaci ochranné fólie nahlédněte prosím do **INSTALAČNÍ PŘÍRUČKY**. Tato funkce se aktivuje v rámci výchozího nastavení, nicméně lze ji deaktivovat v „NABÍDKA NASTAVENÍ“.

SNÍMÁNÍ - Ve chvíli, kdy senzor snímá úroveň zašpinění, na displeji se zobrazí odpovídající symbol (přibližně 20 min) a aktualizuje se délka cyklu. Účelem snímání je zjistit míru zašpinění nádobí. Funkce je součástí všech cyklů (kromě Úsporný program) a odpovídajícím způsobem upravuje parametry programu.

UZAVŘENÝ VODOVODNÍ KOHOUTEK - výstražná signalizace - Kontrolka bliká v případě, že je uzavřen přívod vody nebo voda nepřítéká.

PLNĚNÍ KOŠŮ

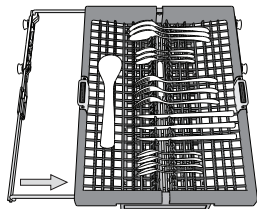
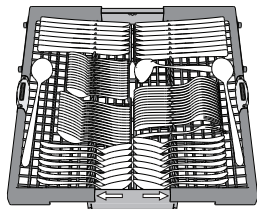
KAPACITA: 15 standardních jídelních souprav

ZÁSUVKA NA PŘÍBORY

Třetí koš je určen na příbory. Příbory ukládejte tak, jak je znázorněno na obrázku. Oddělené umístění příborů usnadňuje jejich pozdější úklid a zlepšuje sušení.

Nože a další ostré nástroje musí být umístěny ostrým dolů.

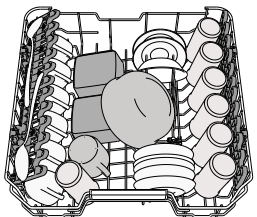
Koš na příbory je vybaven dvěma posuvnými postranními koši tak, aby bylo možno co nejlépe využít výšku prostoru a zároveň umožnit umístění vysokých předmětů do horního koše.



HORNÍ KOŠ

Sem vkládejte jemné a lehké nádobí: sklenice, hrnky, tácky a mělké salátové mísy. Horní koš je vybaven opěrkami, které lze ve svislé poloze použít k umístění podšálků a dezertních talířů, nebo v nižší poloze k umístění misek a nádob na potraviny.

(příklad naplnění horního koše)



Nastavení výšky horního koše

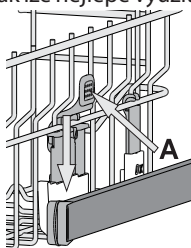
Výšku horního koše lze nastavit: Při umístění do vyšší polohy lze do spodního koše vkládat objemnější kusy, v nižší poloze pak lze nejlépe využít sklopných opěrek – v horní části se tak vytvoří větší prostor a předejde se kolizím s předměty uloženými ve spodním koši.

Horní koš je vybaven **zařízením pro nastavení výšky horního koše** (viz obr.), bez nutnosti používat páky. Stačí koš prostě zvednout za strany, dokud nezapadne do stabilní horní polohy.

Pro návrat koše zpět do dolní polohy stiskněte páky **A** po stranách koše a zatlačte koš dolů.

Důrazně doporučujeme neměnit polohu koše, je-li plný.

NIKDY nesnižujte ani nezvyšujte polohu koše pouze na jedné straně.



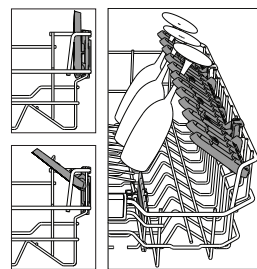
Sklopné opěrky s nastavitelnou polohou

Postranní sklopné opěrky lze sklopit nebo vyklopit za účelem lepšího uspořádání nádobí v koši. Do sklopných opěrek je možno bezpečně umístit sklenice na víno, a to tak, že stopku každé z nich opěreme do příslušného vybrání.

Podle modelu:

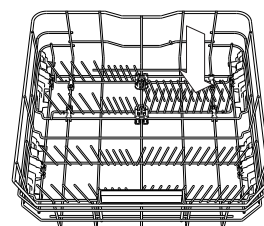
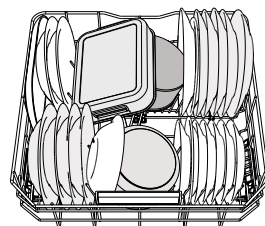
- vyklopení opěrek: je třeba je posunout nahoru a otočit jimi nebo je uvolnit z přichytek a zatáhnout směrem dolů;

- sklopení opěrek: je třeba jimi otočit a posunout je dolů, nebo je vytáhnout směrem nahoru a připnout do přichytek.



DOLNÍ KOŠ

Je určen na hrnce, tácy, talíře, salátové mísy, příbory atd. Velké talíře a poklice by měly být umístěny po stranách, aby nedošlo ke kontaktu s ostříkovacími rameny. Dolní koš je vybaven opěrkami, které lze ve svislé poloze použít k umístění talířů nebo v horizontální (dolní) poloze ke snadnému umístění hrnců a salátových misek.



(příklad plnění dolního koše)

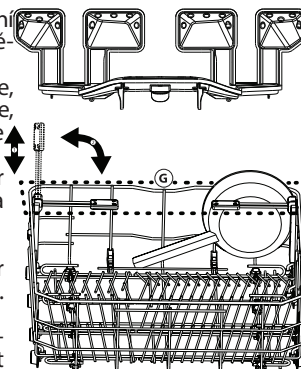
POWER CLEAN®

Při funkci „Power Clean®“ se používají speciální proudy vody v zadní části myčky k intenzivnějšímu mytí velmi špinavého nádobí.

Dolní koš je vybaven zařízením Space Zone, speciální výsuvnou opěrkou v zadní části koše, kterou lze použít k opření pánví či pekáčů ve svislé poloze, kdy zabírají méně místa. Umístěte hrnce a kastroly proti ústí Power Clean® a aktivujte funkci POWER CLEAN na panelu.

Jak používat funkci „Power Clean®“:

1. Upravte prostor (G) pro účinné mytí „Power Clean®“ sklopením zadních držáků talířů. Tím uvolníte prostor pro hrnce.
2. Hrnce a kastroly položte svisle do prostoru „Power Clean®“. Hrnce je třeba naklonit směrem k vodním tryskám.



ÚDRŽBA A ČIŠTĚNÍ

ČIŠTĚNÍ SESTAVY FILTRU

Pravidelně čistěte sestavu filtru, aby nebyla ucpaná a voda mohla řádně odtékat. Používání myčky s ucpanými filtry nebo cizími předměty ve filtračním systému či rozstříkovačích může způsobit nesprávný chod spotřebiče, ztrátu účinnosti, hlučný chod nebo vyšší spotřebu.

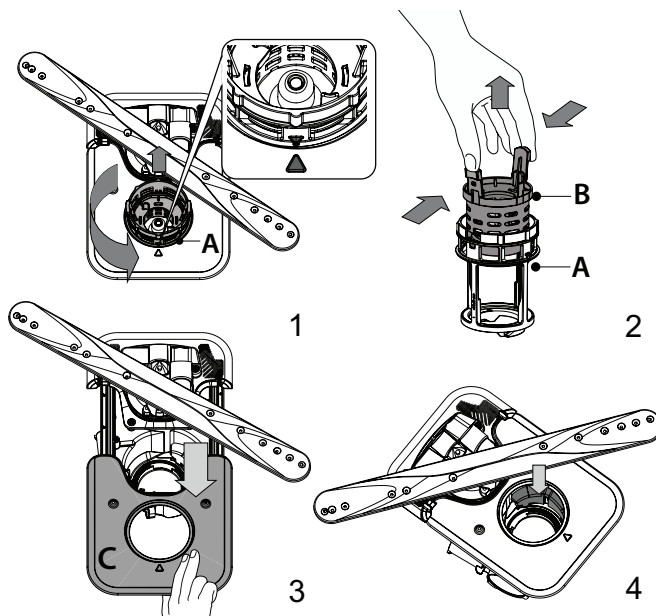
Sestava filtru se skládá ze tří filtrů, které pomáhají zmycí vody odstranit zbytky potravin a umožňují její následnou recirkulaci.

Myčka nesmí být používána bez filtrů nebo s nedotaženými filtry.

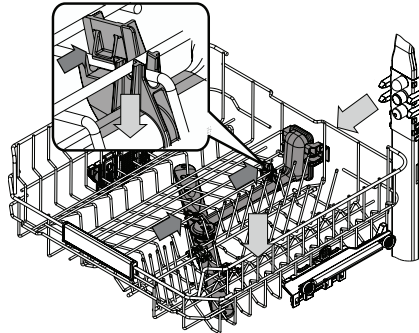
Nejméně jednou měsíčně nebo po každých 30 cyklech zkontrolujte sestavu filtru a v případě potřeby jej důkladně vymyjte pod tekoucí vodou za pomoci nekovového kartáče podle pokynů níže:

1. Otočte válcovým filtrem **A** proti směru chodu hodinových ručiček a vyjměte jej (obr. 1). **Při opětovné instalaci filtru je důležité, aby se oba trojúhelníky zobrazené na zoomu setkaly.**
2. Mírným tlakem na postranní klapky vyjměte miskový filtr **B** (obr. 2).
3. Vysuňte nerezový deskový filtr **C** (obr. 3).
4. Pokud naleznete cizí předměty (např. úlomky skla, porcelánu, kosti, semínka z ovoce), **opatrně je odstraňte.**
5. Prohlédněte prostor pod filtrem a odstraňte případné zbytky jídla. **NIKDY NEODSTRAŇUJTE** ochranu čerpadla mycího cyklu (zobrazeno šipkou) (obr. 4).

Po vyčištění filtry vraťte na jejich místo a zajistěte je; je to zásadní pro zachování funkčnosti myčky.

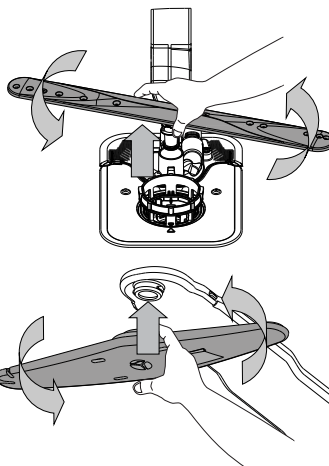


ČIŠTĚNÍ OSTRÍKOVACÍCH RAMEN



Někdy se stane, že se do ostríkovacích ramen dostane zbytek jídla a ucpe některou z jeho trysek. Doporučujeme proto občasnou kontrolu ramen a jejich vyčištění malým nekovovým kartáčkem.

Chcete-li odebrat horní ostríkování, musíte jej odebrat včetně rozdělovacího potrubí.



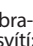
Spodní ostríkovací rameno lze vyjmout zatažením směrem nahoru a otočením proti směru hodinových ručiček. Zpětná montáž ostríkovacího ramene se provádí zatažením dolů a otočením ve směru hodinových ručiček.

Horní ostríkovací rameno lze vyjmout zatlačením směrem nahoru a otočením proti směru hodinových ručiček. Zpětná montáž ostríkovacího ramene se provádí zatažením nahoru a otočením ve směru hodinových ručiček.

ODSTRAŇOVÁNÍ ZÁVAD

Pokud vaše myčka nádobí nefunguje správně, pokuste se problém vyřešit za pomoci informací uvedených v tomto seznamu. V případě jiných problémů nebo dotazů se obraťte na autorizovaný poprodejní servis, jehož kontaktní údaje najdete v záručním listě. Náhradní díly budou k dispozici po dobu až 7 nebo až 10 let podle konkrétních požadavků nařízení.

PROBLÉMY	MOŽNÉ PŘÍČINY	ŘEŠENÍ
Svítí indikátor soli	Zásobník soli je téměř prázdný.	Doplňte do nádržky sůl (další informace – viz NAPLNĚNÍ ZÁSOBNÍKU SOLI). V případě potřeby zkontrolujte nastavení tvrdosti vody – viz TABULKA TVRDOSTI VODY .
Indikátor soli bliká	Zásobník soli je prázdný.	Co nejdříve doplňte do zásobníku sůl. Používání spotřebiče bez soli může způsobit poškození vnitřních komponent.
Indikátor leštidla svítí nebo bliká	Zásobník leštidla je prázdný. (Poté, co leštidlo doplňte, může kontrolka zůstat ještě krátkou dobu svítit.)	Doplňte do zásobníku leštidlo (více informací viz DOPLNĚNÍ DÁVKOVAČE LEŠTIDLA).
Indikátor odvápňení svítí nebo bliká; zobrazuje se alarm „dES“	Na vnitřních součástech spotřebiče se hromadí vodní kámen.	Spotřebič ihned odvápňte pomocí programu Autočištění a běžně dostupného odvápňovacího prostředku (viz MOŽNOSTI A FUNKCE). Doplněte do nádržky sůl. Zkontrolujte nastavení tvrdosti vody. Pokud odvápnění spotřebiče neprovedete, přestane fungovat.
Myčka se nespouští nebo nereaguje na povely.	Spotřebič není správně připojen do zásuvky.	Zasuňte zástrčku do zásuvky.
	Výpadek proudu.	Z bezpečnostních důvodů se myčka při obnovení napájení automaticky znovu nespustí. Otevřete dvířka myčky, stiskněte tlačítko SPUSTIT/Pozastavit a poté dvířka do 4 sekund znovu zavřete.
	Dveře myčky nejsou dobře zavřené. Količek funkce Natural Dry není zatažený.	Důkladně zavřete dveře, dokud neuslyšíte „cvaknutí“.
	Otevřením dvířek na více než 4 sekundy dojde k přerušení cyklu.	Stiskněte tlačítko SPUSTIT/Pozastavit a do 4 sekund uzavřete dvířka.
Myčka nevypouští vodu. Na displeji se zobrazuje: F7 E3 nebo F9 E1	Filtr je ucpaný zbytky jídla nebo vodním kamenem.	Filtr vyčistěte a proveďte odvápnění spotřebiče (viz ČIŠTĚNÍ SESTAVY FILTRU a ODVÁPŇENÍ).
	Vypouštěcí hadice je zkroucená.	Zkontrolujte vypouštěcí hadici (viz POKYNY K INSTALACI).
	Odpad dřezu je ucpaný.	Vyčistěte odtok dřezu.
Myčka je příliš hlučná.	Nádobí na sebe naráží.	Nádobí správně rozmístěte (viz PLNĚNÍ KOŠŮ).
	Je přítomno nadměrné množství pěny.	Mycí prostředek nebyl správně nadávkován, popřípadě není vhodný pro použití v myčkách nádobí (viz DOPLNĚNÍ DÁVKOVAČE LEŠTIDLA). Restartujte aktuální cyklus vypnutím a opětovným zapnutím myčky. Poté zvolte nový program, stiskněte tlačítko SPUSTIT/Pozastavit a během 4 sekund zavřete dvířka. Nepřidávejte prosím žádný mycí prostředek.
	Nádobí nebylo v myčce správně uspořádáno.	Nádobí správně rozmístěte (viz PLNĚNÍ KOŠŮ).
	Filtr je ucpaný zbytky jídla nebo vodním kamenem.	Vyčistěte sestavu filtrů (viz ÚDRŽBA A ČIŠTĚNÍ).
Nádobí není umyté.	Nádobí nebylo v myčce správně uspořádáno.	Nádobí správně rozmístěte (viz PLNĚNÍ KOŠŮ).
	Ostríkovací ramena se nemohou volně otáčet – brání jim nádobí.	Nádobí správně rozmístěte (viz PLNĚNÍ KOŠŮ). Zkontrolujte, zda je horní koš ve správné poloze, a v případě potřeby jej upravte (zvedněte).
	Mycí cyklus je příliš jemný.	Vyberte vhodný mycí cyklus (viz TABULKA PROGRAMŮ).
	Je přítomno nadměrné množství pěny.	Mycí prostředek nebyl správně nadávkován, nebo není vhodný pro použití v myčkách nádobí (viz PLNĚNÍ ZÁSOBNÍKU MYCÍHO PROSTŘEDKU).
	Víčko zásobníku leštidla není dobře uzavřeno.	Přesvědčte se, že je víčko na zásobníku leštidla dobře zavřené.
	Filtr je ucpaný zbytky jídla nebo vodním kamenem.	Vyčistěte filtr a spotřebič odvápňte (viz ČIŠTĚNÍ SESTAVY FILTRU).
Zásobník soli je prázdný.	Doplňte zásobník na sůl (viz NAPLNĚNÍ ZÁSOBNÍKU SOLI).	

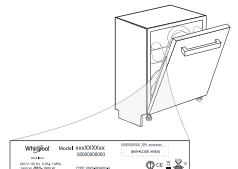
PROBLÉMY	MOŽNÉ PŘÍČINY	ŘEŠENÍ
Myčka nenapouští vodu. Na displeji se zobrazuje: H2O a  svítí; zní zvukový alarm.	V potrubí není voda nebo je uzavřený přívodní ventil.	Zkontrolujte, zda je v potrubí voda a zda je otevřený přívodní ventil.
	Přívodní hadice vody je zkroucená.	Zkontroluje přívodní hadici (viz <i>INSTALACE</i>). Otevřete dvířka myčky, stiskněte tlačítko SPUSTIT/Pozastavit a poté dvířka do 4 sekund znovu zavřete.
	Sítka v přívodní hadici je zanesené; je třeba je vyčistit.	Překontroluje a vyčistí sítka nacházející se v přívodní hadici vody. Otevřete dvířka myčky, stiskněte tlačítko SPUSTIT/Pozastavit a poté dvířka do 4 sekund znovu zavřete.
Myčka předčasně ukončuje cyklus. Na displeji se zobrazuje: F8 E3	Filtr je ucpaný zbytky jídla nebo vodním kamenem.	Filtr vyčistíte a provedete odvápnění spotřebiče (viz <i>ČIŠTĚNÍ SESTAVY FILTRU a ODVÁPŇENÍ</i>).
	Vypouštěcí hadice je umístěna příliš nízko, nebo dochází k vypouštění do domácího kanalizačního systému.	Zkontrolujte, zda je konec vypouštěcí hadice umístěn ve správné výšce (viz <i>INSTALACE</i>). Zkontrolujte, zda nedochází k vypouštění do domovní kanalizace, a v případě potřeby nainstalujte přerušovač sifonu / ventil pro přívod vzduchu.
	Je přítomno nadměrné množství pěny.	Mycí prostředek nebyl správně nadávkován, nebo není vhodný pro použití v myčkách nádobí (viz <i>DOPLNĚNÍ DÁVKOVAČE MYCÍHO PROSTŘEDKU</i>).
	Vzduch v přívodní hadici.	Zkontrolujte, zda systém přívodu vody nevykazuje netěsnosti, nebo zda se nevyskytují jiné závady, které způsobují pronikání vzduchu dovnitř.
Nádobí není dobře usušené.	Není přítomen lešticí prostředek, popřípadě je dávkováno příliš malé množství.	Ujistěte se, že zásobník na leštidlo je doplněn (viz <i>DOPLNĚNÍ DÁVKOVAČE LEŠTIDLA</i>). Při použití pouze multifunkčních tablet nedocílíte tak dobré účinnosti sušení jako při použití tekutého leštidla.
	Nádobí bylo vyloženo po automatickém otevření dvířek, ale před skutečným ukončením cyklu.	Před zahájením vykládání nádobí se ujistěte, že cyklus skončil (viz <i>DENNÍ POUŽÍVÁNÍ</i>). Pro ještě lepší výsledky sušení doporučujeme po skončení cyklu ponechat nádobí v myčce s otevřenými dvířky dalších 15 minut.
	Nádobí je uloženo příliš na plocho.	Pokud máte v prohlubních šálků, hrnků nebo misek nahromaděnou vodu, zkuste vložit nádobí do myčky (to platí zvláště pro horní koš) tak, aby bylo více nakloněné, aby větší množství vody mohlo odkapat ještě předtím, než začne sušení.
	Zvolený mycí cyklus nezahrnuje fázi sušení.	Podívejte se do <i>TABULKY PROGRAMŮ</i> , abyste zjistili, zda je součástí zvoleného programu i fáze sušení. Cyklus bez fáze sušení nemusí zajistit požadovanou účinnost sušení, proto doporučujeme změnit výběr mycího cyklu a zvolit takový, který fázi sušení má.
	Nádobí je z plastu s nepřílnavou úpravou.	Ulpění pár kapek vody na tomto typu materiálu je normální.
Na nádobí a sklenicích jsou modré pruhy, nebo mají namodralý nádech.	Dávkování leštidla je příliš vysoké.	Nastavte dávkování na nižší množství.
Nádobí i sklenice mají na sobě vrstvu vodního kamene nebo bílý film.	Zásobník soli je prázdný.	Co nejdříve doplňte do zásobníku sůl. Používání spotřebiče bez soli může způsobit poškození vnitřních komponent.
	Nastavení tvrdosti vody je příliš nízké.	Zvyšte hodnoty nastavení (viz <i>TABULKA TVRDOMOSTI VODY</i>).
	Uzávěr zásobníku na sůl není správně zavřený.	Překontrolujte a zavřete uzávěr nádržky na sůl.
	Zásobník na leštidlo je prázdný, popřípadě dávkování leštidla není dostatečné.	Doplňte do zásobníku leštidlo a překontrolujte nastavení dávkování (viz <i>DOPLNĚNÍ DÁVKOVAČE LEŠTIDLA</i>).
Myčka zobrazuje kód F8 E5	Ventil je zablokovaný nebo vadný.	Je-li to možné, zavřete vodovodní kohoutek. Nevypínejte napájení. Zavolejte do servisu.



Firemní zásady, standardní dokumentaci, objednávky náhradních dílů a další informace o výrobku získáte:

- Pomocí naskenování QR kódu a návštěvou našeho webu: docs.whirlpool.eu
- Návštěvou našeho webu: parts-selfservice.whirlpool.com
- Případně **kontaktujte náš poprodejní servis** (telefonní číslo najdete v záručním listě). Při kontaktování našeho poprodejního servisu prosím uveďte kódy na identifikačním štítku produktu

Informace o modelu získáte přes QR kód na energetickém štítku. Na štítku rovněž najdete identifikační číslo modelu, které můžete použít k vyhledávání v rejstříku na portálu <https://eprel.ec.europa.eu>.





KÖSZÖNJÜK, HOGY A WHIRLPOOL TERMÉKÉT VÁLASZTOTTÁ!
Teljes körű támogatásért kérjük, regisztrálja termékét honlapunkon: www.whirlpool.eu/register

A készülék használata előtt olvassa el figyelmesen a Biztonsági és telepítési útmutatót. A termékről további információt a következő weboldalon talál: docs.whirlpool.eu



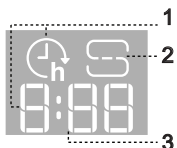
A beszerelést követően ne felejtse el eltávolítani a mosogatógépből a szállításhoz használt védőelemeket.

KEZELŐPANEL



- BE-KI/Újrindítás** gomb és jelzőfény
- Öko program** gomb és jelzőfény
- Gyors program** gomb és jelzőfény/ **Előmosogatás program** - 3 másodperces lenyomás
- Üveg program** gomb és jelzőfény/ **Öntisztítás program** - 3 másodperces lenyomás
- Automatikus programok** gombja jelzőfényekkel - **Auto Intenzív 65° / Auto Vegyes 55° / Auto Gyors 50°**
- Sótartály** üres jelzőfény
- Öblítőszer tartály** üres jelzőfény
- Kijelző**
- Programszám és hátralévő idő** jelzőfény
- A Vízcsep Zárva Van** jelzőfény
- VÍZKÖMENTESÍTÉS** jelzőfény
- Extra opciók** gombjai jelzőfényekkel - **Féltöltet / Csendes / Fertőtlenítő öblítés**
- Power Clean® opció** gomb és jelzőfény
- Extra Száraz opció** gomb és jelzőfény/ **Beállítások** - 3 másodperces lenyomás
- Késleltetés opció** gomb és jelzőfény
- INDÍTÁS/Szünet** gomb és jelzőfény

KIJELZÉS A PADLÓN



- Késleltetési idő kijelzése a padlón** - a program kezdetéig hátralévő idő jelzése a Késleltetés opció beállítása esetén
- Sótartály üres** - padlóra vetített jelzőfény
- Hátralévő idő kijelzése a padlón** - a program végéig hátralévő idő jelzése

ELSŐ HASZNÁLAT

BEÁLLÍTÁSOK MENÜ

- Kapcsolja be a készüléket a **BE-KI** (⏻) gombbal.
- Tartsa lenyomva a **Beállítások** (⚙️) (Extra Száraz (S)) gombot 3 másodpercig, amíg hangjelzést nem hall, és a kijelzőn megjelenik a „**SET**” üzenet.
- Egy másodperc múlva megjelenik az első rendelkezésre álló beállítás („h” betű).
- Nyomja meg a **Automatikus programok** (🔄) / **Extra opciók** (⚙️) gombot a rendelkezésre álló beállítások (lásd a lenti táblázatot) listájának végiggörgetéséhez, majd nyomja meg a **INDÍTÁS/Szünet** (▶️) gombot a kiválasztott beállítás értékének megtekintéséhez és módosításához.
- Nyomja meg a **Automatikus programok** (🔄) / **Extra opciók** (⚙️) gombot az érték módosításához, majd nyomja meg a **INDÍTÁS/Szünet** (▶️) gombot az új érték mentéséhez.
- További beállítások módosításához ismételje meg a 2. és az 5. lépést.
- Nyomja meg az **BE-KI** (⏻) gombot, vagy várjon 30 másodpercet a menüből történő kilépéshez.

BETŰ	BEÁLLÍTÁSOK	ÉRTÉKEK (Alapértelmezett - félkövér)
h	Vízkeménység szintje (lásd „A VÍZKEMÉNYSÉG BEÁLLÍTÁSA” és a „VÍZKEMÉNYSÉGI TÁBLÁZAT”)	1 2 3 4 5
o	Öblítő szintje (lásd: „A VÍZKEMÉNYSÉG BEÁLLÍTÁSA”)	0 1 2 3 4 5
□	NaturalDry (lásd: „OPCIÓK ÉS FUNKCIÓK”) „1” = Be, „0” = Ki	1 0
⏻	Padlóra vetített idő (lásd: „OPCIÓK ÉS FUNKCIÓK”) „1” = Be, „0” = Ki	1 0
🔊	Hang „1” = Be, „0” = Ki	1 0
▶️	Gyári beállítások Nyomja meg a INDÍTÁS/Szünet gombot a Beállítások menüben található beállítások értékének gyári alapértékre történő visszaállításához.	-

A SÓTARTÁLY FELTÖLTÉSE

Só használatával elkerülhető, hogy **VÍZKŐ** képződjön az edényeken és a gép funkcionális alkatrészein.

A sótartály a mosogatógép alsó részén található (a bal oldali alsó kosár alatt).

- Feltétlenül szükséges, hogy a **SÓTARTÁLY SOHA NE LEGYEN ÜRES.**
- Fontos, hogy a víz keménysége legyen állítva.
- Ha a **SÓ UTÁNTÖLTÉSE** jelzőfény (🔦) világít a kezelőpanelen, só kell betölteni.
 - Vegye ki az alsó kosarat, és csavarja ki a tartály kupakját (az óramutató járásával ellentétes irányba).
 - Helyezze be a tölcserít (lásd az ábrát), és töltse fel teljesen a sótartályt (ehhez kb. 0,5 kg só szükséges). Előfordulhat, hogy egy kevés víz kifolyik a rekeszből.
 - Csak a legelső használatkor: töltse fel vízzel a sótartályt!**
- Vegye ki a tölcserít, és törölje le az esetlegesen kiszóródott sót a nyílás környékéről.



Zárja vissza szorosan a kupakot úgy, hogy a mosogatási program során ne kerülhessen mosogatószer a tartályba (ellenkező esetben a vízlágyító helyrehozhatatlanul károsodhat).

A korrózió megelőzése érdekében a só betöltését követően mindig futtasson egy programot.

A víz keménység beállítása

A vízlágyító akkor működik tökéletesen, ha a víz keménységét a lakóhelyén elérhető víz tényleges keménysége alapján állítja be. Ezzel kapcsolatban érdeklődjön a helyi vízműveknél. A gyári beállítás a közepes „3” víz keménység. Lásd „VÍZKEMÉNYSÉGI TÁBLÁZAT”.

A módosításhoz kövesse a „BEÁLLÍTÁSOK MENÜ” részben leírt utasításokat.

Víz keménységi táblázat

Szint	°dH Német rendszer	°fH Francia rendszer	°Clark Angol rendszer
1 (lágy)	0 - 6	0 - 10	0 - 7
2 (közepes)	7 - 11	11 - 20	8 - 14
3 (átlagos)	12 - 16	21 - 29	15 - 20
4 (kemény)	17 - 34	30 - 60	21 - 42
5 (nagyon kemény)	35 - 50	61 - 90	43 - 62

Kizárólag mosogatógépekhez készült só használjon.

Miután sónt öntött a készülékbe, a „SÓ UTÁNTÖLTÉSE” jelzőfény kialszik. **Ha nem tölti fel a sótartályt, a vízlágyító és a fűtőelem a vízkő felhalmozódása miatt károsodhat.**

Só használata bármilyen mosogatószer mellett ajánlott.

VÍZLÁGYÍTÓ RENDSZER

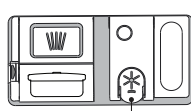
A vízlágyító rendszer automatikusan csökkenti a víz keménységét, így megelőzve a vízkő felhalmozódását a fűtőszálon, így jobb mosogatósi hatékonyságot biztosítva. **A rendszer sóval regenerálja magát, ezért a sótartályot kiürülés esetén fel kell tölteni.** A regenerálás gyakorisága a víz keménység szintjének beállításától függ - a regenerálás **4-6** Eco ciklusként történik meg **3**-ra állított víz keménység szinttel. A regenerációs folyamat a ciklus elején további friss víz hozzáadásával történik.

- Egyetlen regenerálás során a készülék: ~3 l vizet használ fel;
- A program 5 perccel tovább tart;
- Kevesebb, mint 0,005 kWh energiát használ fel.

AZ ÖBLÍTŐSZER-ADAGOLÓ FELTÖLTÉSE

Az öblítőszerrel könnyebben SZÁRADNAK az edények. Az öblítőszeradagoló **A** akkor kell feltölteni, ha az **ÖBLÍTŐSZER UTÁNTÖLTÉSE** jelzőfény (🔦) világít a kezelőpanelen.

- Nyissa ki az adagolót **B** úgy, hogy a fedélen lévő fület lenyomja, majd felfelé húzza.
- Óvatosan öntse be az öblítőszeret. Ne lépje túl a tartályban jelölt maximális mennyiséget (110 ml), és ne öntse ki a folyadékot. Ha ez mégis megtörténik, azonnal törölje fel a kiömlött folyadékot egy száraz ruhával.
- Csukja vissza a fedelet: ehhez nyomja le, amíg kattanás nem hallatszik. **SOHA ne öntse az öblítőszeret közvetlenül a mosogatóterbe.**



Az öblítőszer adagolása

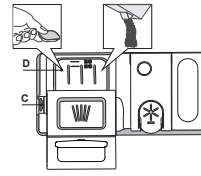
Ha nem elégedett a szárítási eredménnyel, módosítsa a használt öblítőszer mennyiségét.

Ha az öblítőszer szintjét 0-ra állítja, a készülék nem adagol öblítőszeret. Az **ÖBLÍTŐSZER UTÁNTÖLTÉSE** jelzőfény nem fog kigyulladni, amikor kifogy az öblítőszer. A mosogatógép típusától függően legfeljebb 6 szint állítható be.

- Ha kékes csíkok jelennek meg az edényeken, alacsony értéket állítson be (0-3).
- Ha vízcsapok vagy vízkő látható az edényeken, magas értéket állítson be (4-5).

A MOSOGATÓSZER-ADAGOLÓ FELTÖLTÉSE

A mosogatószer-adagoló nyitására használja az **C** eszközt. A mosogatószer kizárólag a száraz **D** adagolóba önthető. Az előmosogatáshoz használt mosogatószert közvetlenül a mosogatóterbe helyezze.



1. A mosogatószer kimérésekor a helyes mennyiség meghatározását az eddigi információk alapján végezze. A mosogatószer-adagoló **D** belsejében elhelyezett jelzések segítenek a megfelelő mennyiség meghatározásában.
2. Törölje le a kiömlött mosogatószert az adagoló szélééről, majd zárja vissza a fedelet kattanásig.
3. Zárja vissza a mosogatószer-adagoló fedelét: húzza felfelé, amíg a zárszerkezet rögzül.

A mosogatószer-adagoló automatikusan kinyílik, amikor a program az adott szakaszba ér.

A nem mosogatógéphez készült mosogatószer használata a készülék hibás működését vagy sérülését okozhatja.

MINDENNAPI HASZNÁLAT

1. ELLENŐRIZZE A VÍZBEKÖTÉST

Ellenőrizze, hogy a mosogatógép rá van-e kötve a vízhálózatra, és hogy a csap nyitva van-e.

2. KAPCSOLJA BE A MOSOGATÓGÉPET

Nyissa ki az ajtót, és nyomja meg az **BE/KI** gombot.

3. A KOSARAK MEGTÖLTÉSE (lásd: A KOSARAK MEGTÖLTÉSE).

4. A MOSOGATÓSZER-ADAGOLÓ FELTÖLTÉSE

5. A PROGRAM KIVÁLASZTÁSA ÉS A CIKLUS BEÁLLÍTÁSA

Válassza ki az edények típusának és szennyezettségi fokának legmegfelelőbb programot (lásd **PROGRAMOK ISMERTETÉSE**) az ahhoz tartozó **PROGRAM** gombbal.

Válassza ki a kívánt opciókat (lásd **OPCIÓK ÉS FUNKCIÓK**). Nem minden opció kompatibilis minden programmal.

6. INDÍTÁS

Indítsa el a mosogatósi programot: ehhez nyomja meg a **INDÍTÁS/Szünet** gombot (a LED világít), és 4 mp-en belül csukja be az ajtót. A program indulásakor egy sípolás hallatszik. Ha az ajtót nem csukja be 4 másodpercen belül, riasztás hallható. Ilyen esetben nyissa ki az ajtót, nyomja meg a **INDÍTÁS/Szünet** gombot, majd csukja vissza az ajtót 4 mp-en belül.

7. A MOSOGATÁSI CIKLUS VÉGE

A mosogatósi ciklus végén hangjelzés hallható, illetve a kijelzőn az **END** (VÉGE) üzenet jelenik meg. Nyissa ki az ajtót, és kapcsolja ki a készüléket az **BE/KI** gombbal.

Az égési sérülések elkerülése érdekében az edények kipakolása előtt várjon néhány percet. Vegye ki az edényeket. Először az alsó kosarat ürítse ki.

FOLYAMATBAN LÉVŐ PROGRAM MÓDOSÍTÁSA

Ha nem megfelelő programot választott, az közvetlenül az indulás után még módosítható. **Ujraindítás** a készüléket: nyomja meg és tartassa lenyomva 3 mp-nél hosszabban az **BE/KI** gombot, ekkor a készülék kikapcsol. **A kijelzőn a „0:01” érték látható.** Csukja be az ajtót, és várjon, amíg a leeresztési ciklus véget ér (kb. 1 perc). Nyissa ki az ajtót, és kapcsolja vissza a készüléket az **BE/KI** gombbal, majd válassza ki az új mosogatósi programot és a kívánt opciókat. A program indításához nyomja meg a **INDÍTÁS/Szünet** gombot, és 4 mp-en belül csukja be az ajtót.

TOVÁBBI EDÉNYEK HOZZÁADÁSA

A készülék kikapcsolása nélkül nyissa ki az ajtót óvatosan, hogy ne folyhasson ki a víz (a **INDÍTÁS/Szünet** LED villogni kezd) (**Vigyázat: Forró gőz!**), majd helyezze be az edényeket a mosogatógépbe. Nyomja meg a **INDÍTÁS/Szünet** gombot, és 4 mp-en belül csukja be az ajtót: a program onnan folytatódik, ahol korábban megszakította azt.

VÉLETLEN MEGSZAKÍTÁS

Ha a mosogatósi program futása közben kinyitják az ajtót, vagy elmeleg az áram, a program leáll. **AMENNYIBEN MEGNYOMJA** a **INDÍTÁS/Szünet** gombot és 4 mp-en belül becsukja az ajtót, a program onnan folytatódik, ahol korábban megszakította azt.

TANÁCSOK ÉS TIPPEK

TANÁCSOK

A kosarak megtöltése előtt távolítsa el az ételmaradékokat az edényekről, és ürítse ki a poharakat. **Mosogatás előtt nem szükséges folyó vízzel leöblíteni az edényeket.**

Az edényeket úgy rendezze el, hogy biztosan álljanak, ne dőljenek el könnyen. Az edények nyílása lefelé nézzen, és a homorú/domború részek ferdén álljanak, hogy a víz mindenhol elérjen, és akadálytalanul folyhasson.

Vigyázat! A fedők, fogantyúk, tálak és serpenyők nem állítják meg a forgó szórókarokat.

A kisebb tárgyakat az evőeszközkosárba helyezze. Az erősen szennyezett edényeket az alsó kosárba kell helyezni, mivel ott erősebb a vízpermet, azaz jobb a mosogatósi eredmény. A készülék megtöltése után ellenőrizze, hogy a szórókarok forgását nem akadályozza-e valami.

GÉPBE NEM MOSOGATHATÓ EDÉNYEK

- Fából készült edények és evőeszközök.
- Kényes, díszes poharak, kézműves és antik edények. Ezek a díszítések nem bírják a gépi mosogatást.
- Szintetikus anyagból készült részek, amelyek nem bírják a magas hőmérsékletet.
- Réz- és bádgedények.
- Hamuval, viasszal, kenőzsírral vagy tintával szennyezett edények.

A poharakon lévő díszítés és az alumínium- vagy ezüstedények színe megváltozhat, kifakulhat a mosogatás során. Egyes üvegtípusok (pl. kristályüveg) néhány mosogatósi ciklus után homályossá válhatnak.

A POHARAK ÉS AZ EDÉNYEK KÁROSODÁSA

- A készülékbe kizárólag olyan üveg- és porcelánedények helyezhetők, amelyek a gyártó állítása szerint mosogatógépben mosogathatók.
- Az edényekhez megfelelő, kímélő mosogatószert használjon.
- Az edényeket és az evőeszközöket a mosogatósi ciklus végeztével azonnal vegye ki a mosogatógépből.

A POHARAK ÉS AZ EDÉNYEK KÁROSODÁSA

- Ha a háztartási mosogatógépet a gyártó utasításainak megfelelően használják, **az edények mosogatógépben történő mosogatása általában KEVESEBB ENERGIÁT és vizet igényel, mint a kézi mosogatás.**
- A mosogatógép hatékonyságának maximalizálásához javasolt a **mosogatósi programot a mosogatógép teljes betöltése után indítani.** Ha a háztartási mosogatógépet a gyártó által jelzett kapacitásig tölti fel, azzal energiát és vizet takaríthat meg. Az edények helyes betöltésével kapcsolatos információt a **KOSARAK MEGRAKODÁSA** című fejezetben talál. Részleges betöltés esetén javasolt a megfelelő mosogatósi beállítást (Fél töltet / Zónamosogatás / Multizone) használni, ha lehetséges, csak a kijelölt kosarakat használva. A mosogatógép helytelen betöltése vagy túltöltése fokozhatja az erőforrások (például víz, energia és idő) felhasználását, megnövelheti a zajszintet, és csökkentheti a mosogatósi és szárítási teljesítményt.
- Az edények manuális előöblítése megnövekedett víz- és energiafogyasztást eredményezhet, és nem javasolt.

HIGIÉNYA

A mosogatógépben keletkező kellemetlen szag és lerakódások elkerülése érdekében legalább havonta egyszer futtasson le egy magas hőmérsékletű programot. Használjon egy teáskanál mosogatószert, és a készülék tisztításához futtassa le a programot edények nélkül.

FAGYTŰRÉS

Ha a készüléket fagynak kitett helyen tárolják, **teljesen le kell eresztetni.** Zárja el a vízcsapot, vegye le a be- és kimeneti tömlőket, és engedje le teljesen a vizet. **Ellenőrizze, hogy a sótartályban lévő vízlágyító biztosan tele van-e oldott regenerálósóval:** így védhető meg a készülék a -20 °C-nál hidegebb hőmérséklettől. Ha a készüléket fagyos körülmények között tárolták, az első indítás előtt **legalább 24 órára** min. 5 °C-os környezeti hőmérsékletre kell helyezni.

PROGRAMTÁBLÁZAT

Program	A programok bemutatása	Szárítási fázis	NaturalDry	Választható beállítások *)	A mosogatási program időtartama (óra:perc)**	Vízfogyasztás (liter/ciklus)	Energiafogyasztás (kWh/ciklus)
Eco	Öko 50° - Az energiatakarékos programmal átlagosan szennyezett edényeket tisztíthat, amely a kombinált energia- és vízfogyasztása miatt a leghatékonyabb program, és a segítségével kiértékelhető, hogy a készülék megfelel-e az EU energiatakarékos kivitelre vonatkozó jogszabályának.	✓	✓		4:00	9,5	0,65
	Gyors 45° - Ez a program olyan kevés és enyhén szennyezett edényekhez használható, amelyek nem található rászáradt étel. Nem tartalmaz szárítási szakaszt.	-	✓		0:30 - 0:40	10,0 - 12,0	0,55 - 0,65
	Üveg 45° - Program az olyan kényes edényekhez, melyek az átlagnál érzékenyebbek a magas hőmérsékletre.	✓	✓		1:40 - 1:50	12,5 - 16,5	0,95 - 1,20
	Auto Intenzív 65° - Erősen szennyezett edények és serpenyők mosogatásához.	✓	✓		2:25 - 3:10	15,5 - 24,5	1,30 - 1,70
	Auto Vegyes 55° - Automatikus program normál szennyezettségű edényekhez, melyeken rászáradt ételmaradék található.	✓	✓		1:20 - 3:00	7,5 - 19,5	0,75 - 1,20
	Auto Gyors 50° - Automatikus program normál és enyhe szennyezettségű edényekhez. Mindennap használható program, amely rövidebb idő alatt is optimális mosogatási és szárítási eredményt nyújt.	✓	✓		1:00 - 1:50	7,5 - 15,5	0,70 - 1,10
	Előmosogatás - Ezt a programot olyan edényekhez használhatja, amelyeket később szeretne elmosogatni. Ehhez a programhoz nem kell mosogatószert használni.	-	✓		0:12	4,5	0,10
	Öntisztítás 65° - A mosogatógép karbantartására szolgáló programot csak akkor alkalmazza, ha a mosogatógép ÜRES, valamint használjon a mosogatógép karbantartására alkalmas, speciális tisztítószert.	-	-		1:15	11,0	1,10

Az ÖKO program adatainak mérése laboratóriumi körülmények között, az EN 60436:2020 európai szabvány előírásainak megfelelően történt.

Megjegyzés a vizsgálgó laboratóriumok számára: az EN összehasonlító vizsgálatának körülményeivel kapcsolatos információkért írjon a következő címre: dw_test_support@whirlpool.com.

Az edények előkezelése egyik programnál sem szükséges.

*) Nem minden opció használható egyszerre.

**) Az energiatakarékos programtól eltérő programokhoz megadott értékek csak tájékoztató jellegűek. A tényleges időtartam számos tényezőtől függ, mint például a belépő víz hőmérsékletétől és nyomásától, a helyiség hőmérsékletétől, a mosogatószer mennyiségétől, az edények mennyiségétől és típusától, a súlyelosztástól, a kiválasztott kiegészítő funkcióktól és az érzékelő kalibrációjától. Az érzékelő kalibrációja akár 20 perccel is növelheti a program hosszát.

OPCIÓK ÉS FUNKCIÓK

Az OPCIÓK a program kiválasztása után kiválaszthatók/törölhetők a megfelelő gomb megnyomásával (ha van – kigyullad a jelzőfény) (lásd KEZELŐPANEL). Ha valamely opció nem kompatibilis a kiválasztott programmal (lásd: PROGRAMOK TÁBLÁZATA), a megfelelő LED háromszor gyorsan felvillog, és sípoló hangjelzések hallhatók. Az opció nem aktív. Az opciók a program időtartamának, illetve víz- és energiafogyasztásának módosítására szolgálnak.

POWER CLEAN® - Mivel ez a program további szűrőfejeket is aktivál, a mosogatás az alsó kosár egy bizonyos területén jóval erőteljesebb. Ez az opció lábasok és tálak mosogatásához ajánlott (Lásd a Power Clean® betöltése részt).

FÉL TÖLTET - Ha nincs sok mosogatnivaló, akkor a víz, az áram és a mosogatószer megtakarítása érdekében használja a FÉL TÖLTET opciót. **Ne feledje, hogy ilyenkor csökkentett mennyiségű mosogatószert kell használni.**

EXTRA SZÁRAZ - Ha az utolsó öblítés magasabb hőmérsékleten történik és a szárítás hosszabb ideig tart, azzal növelhető a szárítás hatékonysága. Az EXTRA SZÁRAZ opció kiválasztásakor nő a mosogatási ciklus hossza.

HALK - A készülék éjszakai működéséhez használatos. Ezzel az opcióval mérsékelhető a zajkibocsátás a mosási szakaszokban. A kiválasztott alpciklustól függően növelheti a program időtartamát.

FERTŐTLENÍTŐ ÖBLÍTÉS Ez az opció az elmosogatott edények fertőtlenítésére használható. Növeli az utolsó öblítés hőmérsékletét, és antibakteriális mosogatószert ad hozzá a kiválasztott programhoz. Ideális edények és cumisüveg mosogatásához. A baktériumok elpusztítása érdekében a mosogatógép ajtaját a program teljes időtartama alatt zárva kell tartani. **VIGYÁZAT! A ciklus végén az edények és tányérok rendkívül forróak lehetnek.**

KÉSLELTETÉS - A program indítását 30 perctől 24 óráig terjedő időtartamig késleltetheti.

- Válassza ki a programot és a tetszőleges opciókat. A program indításának késleltetéséhez nyomja meg (többször) a KÉSLELTETÉS gombot. 30 perc és 24 óra közötti időtartam állítható be. Amikor a 24 órás időtartamot eléri, nyomja meg még egyszer a KÉSLELTETÉS gombot a KÉSLELTETÉS funkció kikapcsolásához.
- Nyomja meg a INDÍTÁS/Szünet gombot, és zárja be az ajtót 4 másodpercen belül. Az időzítő elkezd a visszaszámlálást.
- A beállított idő leteltkor kialszik a jelzőfény, és automatikusan elindul a program.

KÉSLELTETÉS funkció nem állítható be, ha a program már fut.

PADLÓRA VETÍTETT IDŐ - A padlóra vetített LED-fény jelzi a program végig hátralévő időt. Az ajtó nyitásával a fény kialszik. Egy program végén a fény kialszik. Ez a funkció alapértelmezés szerint aktív, de a „BEÁLLÍTÁSOK MENÜ” ki lehet kapcsolni.

VÍZKOMMENTESÍTÉS - Riasztás - A készülék belső alkatrészein vízkőlerakódás érzékelhető. **Ellenőrizze**, hogy a vízkeménység beállítása megfelelő értékű-e, és hogy a sótartályban van-e só (lásd ELSŐ HASZNÁLAT), majd használja a **vízkezelő terméket** (a WPro márka javasolt) **Öntisztítási programmal**. Sikeres vízkömentesítés után az ikon eltűnik. Ha nem hajtja végre a fenti műveleteket, a készülék teljesítménye csökkenni fog. A kijelzőn villogni kezd a **Vízkömentesítés** figyelmeztetés, és megjelenik a «DES» riasztás. Ha továbbra sem végzi el a vízkömentesítést, a készülék csak bizonyos számú ciklus indítását fogja engedélyezni (a «DES» riasztással együtt jelenik meg), majd **BLOKKOLVA** lesz az alkatrészek sérülésének megelőzése érdekében, **és csak az Öntisztítási program lesz használható**. A teljes vízkömentesítés végrehajtásával feloldja a készülék blokkolását. Ha rendkívül nagy mennyiségű vízkő rakódott le, előfordulhat, hogy a vízkömentesítést kétszer kell végrehajtani a megfelelő hatékonyság érdekében.

NaturalDry - Olyan konvekciós szárítórendszer, amely automatikusan kinyitja az ajtót a szárítási fázis közben/után a folyamatos, kiemelkedően jó szárítási eredmény érdekében. Az ajtó csak olyan hőmérsékleten nyílik ki, amely nem károsítja a konyhaszekrényeket, tehát a FERTŐTLENÍTŐ ÖBLÍTÉS funkció során az ajtó nem fog kinyílni. A gőz ellen további védelmet nyújt a mosogatógéphez mellékel, külön erre a célra tervezett védőfólia. A védőfólia felhelyezésének lépéseit az ÜZEMBE HELYEZÉSI ÚTMUTATÓBAN találja. Ez a funkció alapértelmezés szerint aktív, de a „BEÁLLÍTÁSOK MENÜ” ki lehet kapcsolni.

ÉRZÉKELÉS - Miközben az érzékelő a szennyezettség fokát méri, animáció látható a kijelzőn (kb. 20 percgig), és a program időtartama frissül. Az érzékelő funkció az edények szennyezettségi mértékének meghatározására szolgál, és minden programnál használható (az Öko kivételével): a szükséges mértékben módosítja a programot.

A VÍZCSAP ZÁRVA VAN - A figyelmeztetés villog, ha nincs belépő víz, vagy el van zárva a vízcsap.

A KOSARAK MEGTÖLTÉSE

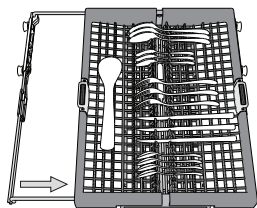
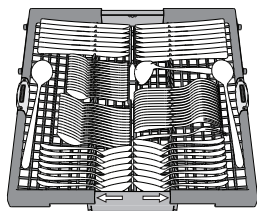
KAPACITÁS: 15 standard étkezéslet

EVŐESZKÖZTARTÓ

A harmadik kosár az evőeszközök bepakolására szolgál. Az evőeszközöket az ábrán látható módon helyezze el. A külön gyűjtött evőeszközök a mosogatás után könnyebben kivehetők, valamint így a mosogatási és szárítási eredmény is javul.

A késeket és egyéb éles eszközöket élükkel lefelé rakja a kosárba. A kosarat mindig az alsó kosár elejére helyezze.

Az evőeszközkosárban található két állítható magasságú rekesz, melyek segítségével kihasználható a rendelkezésre álló alsó tér, és magasabb edények helyezhetők a felső kosárba.

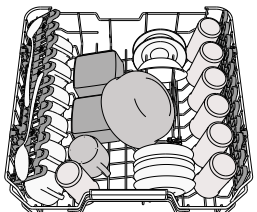


FELSŐ KOSÁR

Ide helyezhetők a kényesebb és könnyű edények, például poharak, csészék, tálkák, kis salátástálak.

A felső kosár lehajtható tartóelemekkel rendelkezik: függőleges helyzetbe állítva csészealjkat, kistányérokat, leengedett helyzetbe állítva pedig tálakat, ételtartókat pakolhat be.

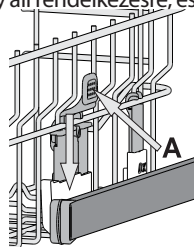
(példa a megtöltött felső kosárra)



A felső kosár magasságának beállítása

A felső kosár magassága állítható. Ha a felső állásba állítja, az alsó kosárba nagyobb edények helyezhetők; ha az alsó állásba állítja, maximálisan kihasználhatók a lehajtható rögzítőelemek: függőlegesen több hely áll rendelkezésre, és az alsó kosárba pakolt edényeknek is elegendő hely jut.

A felső kosár magasságbeállítóval rendelkezik (lásd az ábrát). Magasabbra állításához fogja meg a kosár két oldalát, és az emelőkarok megnyomása nélkül emelje azt feljebb. A kosár a felső helyzetbe áll. Az alsó helyzetbe állításához nyomja meg a kosár két oldalán lévő emelőkarokat A, és tolja lefelé a kosarat.



Kifejezetten javasoljuk, hogy ne módosítsa a kosár magasságát akkor, amikor a kosárban edények találhatók.

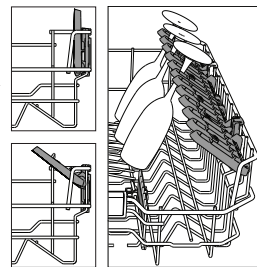
A kosár lejjebb vagy feljebb helyezésekor SOHA ne csak az egyik oldal magasságát módosítsa.

Állítható magasságú lehajtható polcok

A kosárban lévő edények optimális elrendezése érdekében az oldalsó polcok fel- és lehajthatók. A borospoharak biztonságosan helyezhetők a lehajtható polcokra: a poharak talpát illesse a megfelelő nyílásokba.

Készüléktpüstól függően:

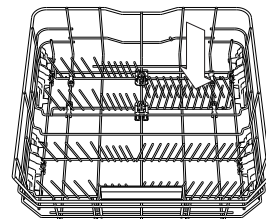
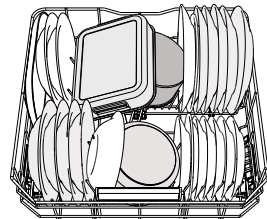
- a polcok lehajtásához csúsztassa azokat fel és forgassa el, vagy vegye ki a rögzítőből és húzza lefelé.
- a polcok felhajtásához forgassa azokat el és csúsztassa lefelé, vagy húzza felfelé és rögzítse.



ALSÓ KOSÁR

Ide fazekak, fedők, tányérok, salátástálak, evőeszközök stb. pakolhatók. A nagyobb tányérokat és fedőket lehetőség szerint a kosár szélére helyezze, hogy biztosan ne érjenek a szórókarokhoz.

Az alsó kosár lehajtható tartóelemekkel rendelkezik: függőleges helyzetbe állítva tányérokat, vízszintes (leengedett) helyzetbe állítva pedig tálakat, lábasokat pakolhat be egyszerűen.



(példa a megtöltött alsó kosárra)

POWER CLEAN®

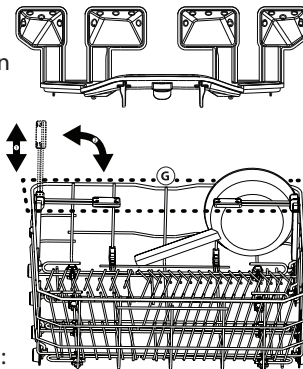
A Power Clean® során a készülék a mosogatótér hátsó része felől érkező vízsugarak segítségével intenzívebben mossa el az erősen szennyezett edényeket. Az alsó kosárban található egy ún nagyterületű zóna (Power Clean® támogatás).

Ez a speciális, kihúzható tartóelem a kosár hátsó részén található, és lehetővé teszi a serpenyők és tepsik függőleges helyzetben történő elhelyezését, amivel hely takarítható meg.

Helyezze be a gépbe a fazekakat/tálakat úgy, hogy a Power Clean® berendezés felé nézzenek, majd kapcsolja be a kezelőpanelen a POWER CLEAN® opciót.

A Power Clean® funkció használatra:

1. Készítse elő a Power Clean® területet (G): hajtse le a hátsó tányértartókat, hogy beférjenek az edények.
2. Tegye be a fazekakat és a tálakat úgy, hogy a Power Clean® terület felé dőljenek. A fazekakat a nagynyomású vízsugarak felé kell megdönteni.



ÁPOLÁS ÉS KARBANTARTÁS

A SZÜRŐEGYSÉG TISZTÍTÁSA

Rendszeresen tisztítsa ki a szűrőegységet, így megelőzhető a szűrők eltömődése, és a víz szabadon tud távozni.

Ha a mosogatógép használata során a szűrők el vannak tömődve, illetve ha a szűrőrendszerben vagy a szórókarokban tárgyak vannak, az a berendezés nem megfelelő működését okozhatja, ami a teljesítmény csökkenését, zajos működést vagy nagyobb erőforrás-felhasználást eredményezhet.

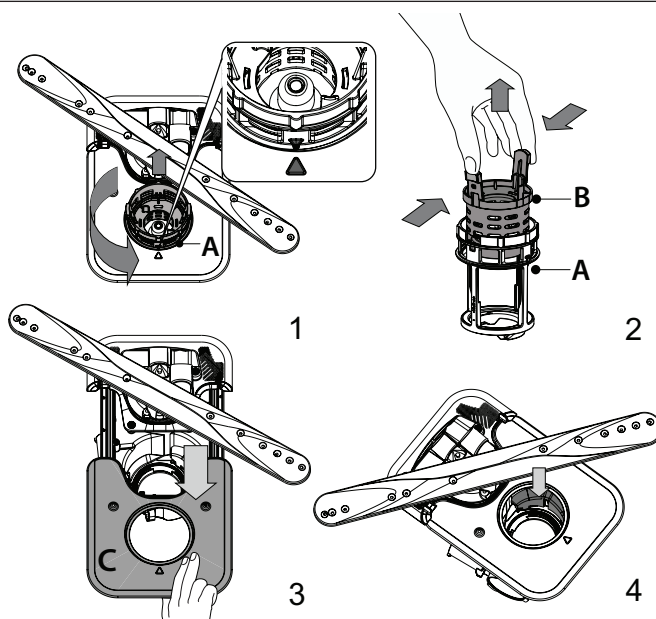
A szűrőegység három szűrőből áll, amelyek eltávolítják az ételmaradékokat a mosogatóvízből, majd visszaforgatják a vizet.

A mosogatógép nem használható szűrők nélkül vagy meglazult szűrővel.

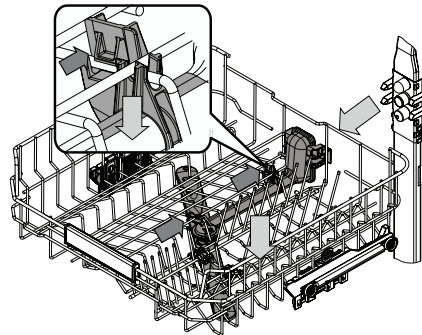
Havonta legalább egyszer vagy 30 programonként ellenőrizze a szűrőegységet, és szükség esetén tisztítsa meg alaposan folyó víz alatt, nemfémes kefével, az alábbi utasításoknak megfelelően:

1. Forgassa a henger alakú szűrőt A az óramutató járásával ellentétes irányba, majd húzza ki (1. ábra). **A szűrő visszahelyezésekor fontos, hogy a képen lévő két háromszög pontosan illeszkedjen.**
2. Vegye ki a kehely alakú szűrőt B úgy, hogy enyhén megnyomja az oldalsó tüleket (2. ábra).
3. Csúsztassa ki a rozsdamentes acélból készült szűrőlemez C (3. ábra).
4. Ha idegen tárgyat (például törött üveget, porcelánt, csontot, gyümölcsmagot stb.) talál, **óvatosan távolítsa el azt.**
5. Ellenőrizze a szűrőrészt, és távolítsa el az ételmaradékokat. **SOHA NE TÁVOLÍTSA EL a mosogatóciklust végző pumpa védőfedelét (nyíl jelzi) (4. ábra)!**

A szűrők tisztítása után helyezze vissza a szűrőegységet, és rögzítse megfelelően a helyére. Ez elengedhetetlen a mosogatógép hatékony működéséhez.

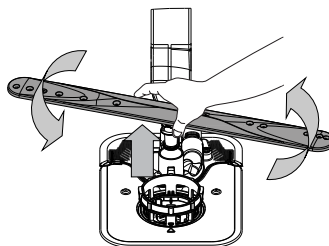


A SZÓRÓKAROK TISZTÍTÁSA

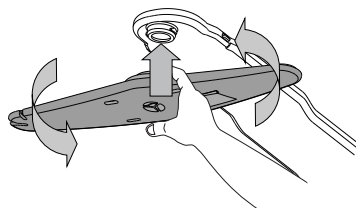


Időnként ételmaradék száradhat a szórókarokra, és eltömítheti a víz permevezésére szolgáló nyílásokat. Ezért javasoljuk, hogy rendszeresen ellenőrizze a szórókarokat, és tisztítsa meg azokat egy kisméretű, nem-fémes kefével.

A felső szórókar az elosztóval együtt vehető le.



Az alsó szórókart felfelé húzva és az óramutató járásával ellentétes irányba elforgatva lehet kivenni a helyéről. A szórókart lefelé húzva és az óramutató járásával megegyező irányba elforgatva lehet visszaszerelni.



A felső szórókart felfelé nyomva és az óramutató járásával ellentétes irányba elforgatva lehet kivenni a helyéről. A szórókart felfelé húzva és az óramutató járásával megegyező irányba elforgatva lehet visszaszerelni.

HIBAELHÁRÍTÁS

Ha a mosogatógép nem megfelelően működik, ellenőrizze, hogy a probléma javítható-e az alábbi lista lépéseinek végrehajtásával. Más hibák vagy problémák esetében lépjen kapcsolatba a hivatalos vevőszolgálattal, amelynek kapcsolattartási adatai a garanciafüzetben találhatóak. A pótalkatrészek akár 7, akár 10 évig is rendelkezésre állnak, az adott rendelet követelményeinek megfelelően.

HIBA	LEHETSÉGES OK	MEGOLDÁS
A sómennyiségre figyelmeztető jelzőfény világít.	A sótartály hamarosan kiürül.	Töltse fel a tartályt sóval (további információ: lásd A SÓTARTÁLY FELTÖLTÉSE). Szükség esetén ellenőrizze a beállított vízkeménységet (lásd VÍZKEMÉNYSÉGI TÁBLÁZAT).
A sómennyiségre figyelmeztető jelzőfény villog.	A sótartály üres.	Minél hamarabb töltse fel a tartályt sóval. A készülék só nélkül történő használata károsíthatja annak belső alkatrészeit.
Az öblítőszer mennyiségére figyelmeztető jelzőfény világít vagy villog.	Az öblítőszer-adagoló üres. (Előfordulhat, hogy az öblítőszer mennyiségére figyelmeztető jelzőfény feltöltés után is világít egy rövid ideig).	Töltse fel a tartályt öblítőszerrel (további információ: - lásd AZ ÖBLÍTŐSZER-ADAGOLÓ FELTÖLTÉSE).
A vízkömentesítésre figyelmeztető jelzőfény világít vagy villog; a „dES” figyelmeztetés látható a kijelzőn.	A készülék belső alkatrészei vízkövesednek.	Azonnal vízkömentesítse a készüléket az Öntisztítás programmal és a kereskedelmi forgalomban kapható vízkömentesítő szerrel (lásd OPCÍÓK ÉS FUNKCIÓK). Töltse fel a tartályt sóval. Ellenőrizze a vízkeménységre vonatkozó beállítást. Ha nem végez vízkömentesítést, a készülék le fog állni.
A mosogatógép nem indul vagy nem reagál a parancsokra.	Nem megfelelően csatlakoztatta a készüléket.	Csatlakoztassa a dugót a hálózati aljzatba.
	Áramkimaradás.	Biztonsági okokból a mosogatógép nem indul újra automatikusan az áramellátás helyreállásakor. Nyissa ki a mosogatógép ajtaját, nyomja meg a INDÍTÁS/Szünet gombot, majd 4 másodpercen belül csukja be az ajtót.
	Nincs bezárva a mosogatógép ajtaja. Nincs bepattintva az NaturalDry fül.	Erőteljesen nyomja be az ajtót, amíg kattantást nem hall.
	A program megszakadt, mivel az ajtót 4 mp-nél hosszabban nyitva tartották.	Nyomja meg a INDÍTÁS/Szünet gombot, és csukja be az ajtót 4 mp-en belül.
A mosogatógép nem eresztí le a vizet. A kijelzőn látható érték: F7 E3 vagy F9 E1	Az ételmaradék vagy vízkő eltömítette a szűrőt.	Tisztítsa ki a szűrőt, és vízkömentesítse a készüléket (lásd A SZŰRŐEGYSÉG TISZTÍTÁSA és VÍZKÖMENTESÍTÉSI ÚTMUTATÓ).
	Meghajlott a leeresztő tömlő.	Ellenőrizze a leeresztőtömlőt (lásd BESZERELÉSI ÚTMUTATÓ).
	Eltömődött a mosogató lefolyócsöve.	Tisztítsa meg a mosogató lefolyócsövét.
A mosogatógép túl hangosan működik.	Az edények egymáshoz ütődnek.	Megfelelően helyezze be az edényeket (lásd A KOSARAK MEGTÖLTÉSE).
	Túl sok hab képződött.	Nem megfelelően mérte ki a mosogatószeret, vagy az nem használható mosogatógépben (lásd A MOSOGATÓSZER-ADAGOLÓ FELTÖLTÉSE). Indítsa el újra az aktuális programot az BE-KI gombbal, majd kapcsolja be ismét a készüléket, válasszon egy új programot, nyomja meg a INDÍTÁS/Szünet gombot, és csukja be az ajtót 4 másodpercen belül. Ne töltsön bele mosogatószeret.
	Nem megfelelően rendezte el az edényeket.	Rendezze el megfelelően az edényeket (lásd A KOSARAK MEGTÖLTÉSE).
	Az ételmaradék vagy vízkő eltömítette a szűrőt.	Tisztítsa ki a szűrőegységet (lásd ÁPOLÁS ÉS KARBANTARTÁS).
Az edények nem tiszták.	Nem megfelelően rendezte el az edényeket.	Rendezze el megfelelően az edényeket (lásd A KOSARAK MEGTÖLTÉSE).
	A szórókarok nem forognak szabadon, mivel az edények útban vannak.	Rendezze el megfelelően az edényeket (lásd A KOSARAK MEGTÖLTÉSE). Ellenőrizze, hogy megfelelő-e a felső kosár helyzete, és szükség esetén igazítsa meg (emelje meg).
	A mosogatási ciklus túlzottan kímélő.	Válasszon megfelelő mosogatási programot (lásd PROGRAMTÁBLÁZAT).
	Túl sok hab képződött.	Nem megfelelően mérte ki a mosogatószeret, vagy az nem használható mosogatógépben (lásd A MOSOGATÓSZER-ADAGOLÓ FELTÖLTÉSE).
	Nem megfelelően zárta vissza az öblítőszer rekeszének fedelét.	Zárja vissza az öblítőszer-adagoló kupakját.
	Az ételmaradék vagy vízkő eltömítette a szűrőt.	Tisztítsa ki a szűrőt, és vízkömentesítse a készüléket (lásd A SZŰRŐEGYSÉG TISZTÍTÁSA).
A sótartály üres.	Töltse fel a tartályt (lásd A SÓTARTÁLY FELTÖLTÉSE).	

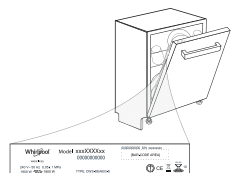
HIBA	LEHETSÉGES OK	MEGOLDÁS
A készülék nem vesz fel vizet. A kijelzőn látható érték: világító H2O ; hangjelzés hallatszik.	Nem jön víz a vízvezetékéből, vagy el van zárva a vízcsap.	Ellenőrizze, hogy jön-e víz a vízvezetékéből, és a vízcsap nyitva van-e.
	Meghajlott a vízbevezető tömlő.	Ellenőrizze a vízbevezető tömlőt (lásd BESZERELÉS). Nyissa ki a mosogatógép ajtaját, nyomja meg a INDÍTÁS/Szünet gombot, majd 4 másodpercen belül csukja be az ajtót.
	Eltömődött a vízbevezető tömlőben lévő szűrő. Ki kell tisztítani.	Ellenőrizze és tisztítsa ki a vízbevezető tömlőben lévő szűrőt. Nyissa ki a mosogatógép ajtaját, nyomja meg a INDÍTÁS/Szünet gombot, majd 4 másodpercen belül csukja be az ajtót.
A mosogatógép túl hamar fejezi be a programot. A kijelzőn látható érték: F8 E3	Az ételmaradék vagy vízkő eltömítette a szűrőt.	Tisztítsa ki a szűrőt, és vízkőmentesítse a készüléket (lásd A SZŪRŐEGYSÉG TISZTÍTÁSA és VÍZKŐMENTESÍTÉSI ÚTMUTATÓ).
	A leeresztőtömlő túl alacsonyan van, vagy a háztartási szennyvízrendszerbe ereszti a vizet.	Ellenőrizze, hogy a leeresztőtömlő vége megfelelő magasságban van-e (lásd BESZERELÉS). Ellenőrizze, hogy a rendszer a háztartási szennyvízrendszerbe ereszti-e a vizet, és szükség esetén szereljen be visszacsapó/légbeszívó szelepet.
	Túl sok hab képződött.	Nem megfelelően mérte ki a mosogatószer, vagy az nem használható mosogatógépben (lásd A MOSOGATÓSZER-ADAGOLÓ FELTÖLTÉSE).
	Levegő van a vízvezetékben.	Ellenőrizze a tömlőt és a tömitéseket, hogy nem szivárognak-e valahol.
Az edények nem kellően szárazak.	Elfogyott vagy nem elegendő az öblítőszer.	Ellenőrizze, hogy fel van-e töltve az öblítőszer-adagoló (lásd AZ ÖBLÍTŐSZER-ADAGOLÓ FELTÖLTÉSE). A többfunkciós tabletták önmagukban nem biztosítanak olyan jó szárítási eredményt, mint a folyékony öblítőszer.
	Az edényeket az ajtó automatikus nyitása után kipakolták, de ekkor még nem fejeződött be a folyamatban lévő program.	Az edények kipakolása előtt ellenőrizze, hogy befejeződött-e a program (lásd MINDENNAPI HASZNÁLAT). A még jobb szárítási eredményért javasoljuk, hogy hagyja nyitva a mosogatógép ajtaját, és hagyja a készülékben az edényeket a program lejártától számított 15 percig.
	Túl egyenesen behelyezett edények.	Ha víz van a bögrék, poharak, tálak mélyedéseiben, próbálja megdöntve behelyezni az edényeket (különösen a felső rekesz esetén), így több víz le tud csöpögni a szárítás előtt.
	A kiválasztott programban nincs szárítási szakasz.	Ellenőrizze a PROGRAMTÁBLÁZATBAN , hogy a választott program tartalmaz-e szárítási szakaszt. Előfordulhat, hogy a szárítási szakasz nélküli programok nem a kívánt szárítási eredményt nyújtják, ezért javasolt szárítási szakasszal rendelkező programot választani.
	Az edények tapadásmentes anyagból vagy műanyagból készültek.	Normális jelenség, ha az ilyen anyagokon vízcseppek láthatók.
Az edényeken és a poharakon kék csíkok vagy kékes elszíneződés látható.	A készülék túl sok öblítőszer adagol.	Állítsa alacsonyabb fokozatra az adagolást.
Az edényeken és a poharakon vízkő vagy fehér réteg látható.	A sótartály üres.	Minél hamarabb töltsse fel a tartályt sóval. A készülék só nélkül történő használata károsíthatja annak belső alkatrészeit.
	Túl alacsony szintre van állítva a vízkeménység.	Állítson be magasabb szintet (lásd VÍZKEMÉNYSÉGI TÁBLÁZAT).
	A sótartály kupakja nem megfelelően lett visszazárva.	Ellenőrizze és zárja vissza a sótartály kupakját.
	Az öblítőtartály üres, vagy a készülék nem elegendő öblítőszer adagol.	Töltsse fel a tartályt öblítőszerrel, és ellenőrizze az adagolási beállítást (további információ: lásd AZ ÖBLÍTŐSZER-ADAGOLÓ FELTÖLTÉSE).
A mosogatógép kijelzőjén az F8 E5 érték látható	Eltömődött vagy hibás szelep.	Ha lehetséges, zárja el a vízcsapot. Ne szüntesse meg a tápellátást. Hívja a vevőszolgálatot.



A szabályzatok, a szabványos dokumentáció, a tartalékalkatrészek rendelése és a termékkel kapcsolatos további információk az alábbi elérhetőségeken található:

- A QR-kód segítségével és látogasson el a: docs.whirlpool.eu
- Látogasson el a: parts-selfservice.whirlpool.com
- Vagy vegye fel a **kapcsolatot a vevőszolgálattal** (a telefonszámot lásd a garanciafüzetben). Amennyiben a vevőszolgálathoz fordul, kérjük, adja meg a termék adattábláján feltüntetett kódokat.

A modell adataihoz olvassa be az energiafogyasztást jelölő címkén található QR-kódot. A címkén található modellazonosító segítségével használható a regisztrációs portál <https://eprel.ec.europa.eu>.





DZIĘKUJEMY ZA ZAKUP PRODUKTU WHIRLPOOL
Aby uzyskać kompleksową pomoc, prosimy zarejestrować urządzenie na stronie: www.whirlpool.eu/register.

Przed rozpoczęciem użytkowania urządzenia należy uważnie przeczytać instrukcję bezpieczeństwa i instrukcję montażu. Więcej informacji na temat produktu można znaleźć na stronie internetowej: docs.whirlpool.eu

! Po instalacji prosimy pamiętać o wyjęciu ze zmywarki wszystkich elementów zabezpieczających w czasie transportu.

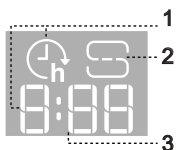
PANEL STEROWANIA



1. Przycisk i kontrolka **WŁ.-WYŁ./Reset**
2. Przycisk i kontrolka wyboru programu **eko**
3. Przycisk i kontrolka wyboru programu **Szybki/program Mycie Wstępne** - wciskanie przycisku przez 3 sek
4. Przycisk i kontrolka wyboru programu **Kryształ/program Samoczyszczenie** - wciskanie przycisku przez 3 sek
5. Przycisk programów **Automatycznych** z kontrolkami - **Auto Intensywny 65°/Auto Mieszany 55°/Auto Szybki 50°**
6. Kontrolka **Brak soli**
7. Kontrolka **Brak płynu nablyszczającego**

8. **Wyświetlacz**
9. **Numer programu i wskaźnik pozostałego czasu**
10. Kontrolka **Zawór Wody Zamknięty**
11. Kontrolka **ODKAMIANIANIE**
12. Przycisk **Extra opcji** z kontrolkami - **Połowa załadunku/Cicho/Płukanie Sani**
13. Przycisk i kontrolka **opcji Power Clean®**
14. Przycisk i kontrolka **opcji Dodatkowe Suszenie/Ustawienia** - wciskanie przycisku przez 3 sek.
15. Przycisk i kontrolka **opcji Opóźnienie**
16. Przycisk i kontrolka **START/Pauza**

WYŚWIETLACZ NA PODŁODZE



1. **Czas Opóźnienia na podłodze** - wskaźnik czasu pozostałego do rozpoczęcia cyklu, gdy ustawiona jest opcja opóźnienia
2. **Pusty pojemnik na sól** - kontrolka na podłodze
3. **Pozostały czas na podłodze** - wskaźnik czasu pozostałego do zakończenia cyklu

PIERWSZE UŻYCIĘ

MENU USTAWIENI

1. Włączyć urządzenie, naciskając przycisk **WŁ.-WYŁ.**
2. Nacisnąć i przytrzymać przycisk **Ustawienia** (Dodatkowe Suszenie) przez 3 sekundy, do momentu aż rozlegnie się sygnał dźwiękowy a na wyświetlaczu pojawi się komunikat, „SEt”.
3. Po jednej sekundzie wyświetli się pierwsze dostępne ustawienie (litera „h”).
4. Wcisnąć przycisk **programów Automatycznych** / **Extra opcji**, aby przewinąć listę dostępnych ustawień (patrz tabela poniżej), następnie wcisnąć **START/Pauza** aby podejrzeć i zmienić wartość wybranego obecnie ustawienia.
5. Wcisnąć przycisk **programów Automatycznych** / **Extra opcji**, aby zmienić wartość, następnie wcisnąć **START/Pauza**, aby zapisać nową wartość.
6. Aby zmienić inne ustawienie, powtórzyć punkty 2 i 5.
7. Wcisnąć **WŁ.-WYŁ.** lub odczekać 30 sekund aby wyjść z menu.

LITERA	USTAWIENIE	WARTOŚCI (Domyślne - pogrubioną czcionką)
h	Poziom twardości wody (patrz „USTAWIENIE TWARDOŚCI WODY” oraz „TABELA TWARDOŚCI WODY”)	1 2 3 4 5
f	Poziom dozowania nablyszczacza (patrz „REGULACJA DOZOWANIA PŁYNU NABLYSZCZAJĄCEGO”)	0 1 2 3 4 5
q	NaturalDry (patrz „OPCJE I FUNKCJE”) „1” = Wł., „0” = Wył.	1 0
e	Czas na podłodze (patrz „OPCJE I FUNKCJE”) „1” = Wł., „0” = Wył.	1 0
s	Dźwięk „1” = Wł., „0” = Wył.	1 0
i	Ustawienia fabryczne Wcisnąć przycisk START/Pauza , aby przywrócić domyślne ustawienia fabryczne dla wszystkich wartości zawartych w menu ustawienia.	-

NAPEŁNIANIE ZBIORNIKA SOLI

Zastosowanie soli zapobiega tworzeniu się KAMIENIA na naczyniach i funkcjonalnych podzespołach zmywarki. Zbiornik soli jest zlokalizowany w dolnej części zmywarki (pod koszem dolnym po lewej stronie).

- Konieczne jest, aby **ZBIORNIK SOLI NIGDY NIE BYŁ PUSTY**.
- Ważne też jest odpowiednie ustawienie twardości wody.
- Należy uzupełnić sól, gdy kontrolka **BRAK SOLI** świeci się na panelu sterowania.



1. Wyjąć dolny kosz i odkręcić korek zbiornika (w kierunku przeciwnym do ruchu wskazówek zegara).
2. Umieścić lejek (patrz rys.) i wysypać sól aż do krawędzi zbiornika (około 0,5 kg); niewielki wyciek wody jest tu normalny.
3. **Tylko podczas wykonywania czynności po raz pierwszy: Napełnić zbiornik soli wodą.**

4. Wyjąć lejek i wytrzeć resztki soli wokół otworu. Upewnić się, czy korek jest mocno dokręcony, aby detergent nie mógł przedostać się do zbiornika podczas programu mycia (mogłoby to spowodować nienaprawialne uszkodzenie zmiękczacza wody).

Za każdym razem, gdy tylko ukończone zostanie uzupełnianie soli, należy włączyć jeden z programów zmywania, aby zapobiec korozji.

Ustawienie twardości wody

Aby zmiękczyć wodę działał idealnie, istotne jest ustawienie twardości wody na podstawie rzeczywistej twardości doprowadzanej wody. Tę informację można uzyskać od lokalnego dostawcy wody. Zakład produkcyjny ustawia domyślną wartość „3” dla twardości wody. Zobacz „TABELA TWARDOŚCI WODY”. Aby zmienić ustawienie, należy wykonać czynności zgodnie z instrukcjami podanymi w rozdziale „MENU USTAWIENI”.

Poziom	Tabela twardości wody		
	°dH St. niemieckie	°fH St. francuskie	°Clark St. brytyjskie
1 (miękka)	0 - 6	0 - 10	0 - 7
2 (średnia)	7 - 11	11 - 20	8 - 14
3 (przeciętna)	12 - 16	21 - 29	15 - 20
4 (twarda)	17 - 34	30 - 60	21 - 42
5 (bardzo twarda)	35 - 50	61 - 90	43 - 62

Należy stosować wyłącznie taką sól, która jest specjalnie przeznaczona do zmywarek.

Po wysypaniu soli do zmywarki kontrolka **BRAK SOLI** gaśnie.

Jeśli pojemnik z solą jest pusty, istnieje ryzyko uszkodzenia zmiękczacza wody oraz grzałki z powodu nagromadzenia osadu. Stosowanie soli jest zalecane z każdym rodzajem detergentu do zmywarek.

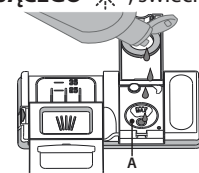
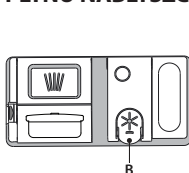
SYSTEM ZMIĘKCZANIA WODY

Zmiękczacze wody automatycznie zmniejsza twardość wody, tym samym zapobiegając nagromadzeniu osadu na grzałce co z kolei przyczynia się do większej wydajności zmywania. **System sam regeneruje się przy pomocy soli, zatem zbiornik soli należy uzupełniać jak tylko będzie pusty.** Częstotliwość regeneracji zależy od ustawienia poziomu twardości wody - regeneracja następuje raz na 4-6 cykli Eko, kiedy twardość wody ustawiona jest na poziom 3. Proces regeneracji zachodzi na początku cyklu z dodatkową świeżą wodą.

- Podczas jednej regeneracji: ~Zużycie 3 L wody;
- Dodatkowe 5 minut cyklu;
- Zużycie poniżej 0,005 kWh energii elektrycznej.

NAPEŁNIANIE DOZOWNIKA PŁYNU NABLYSZCZAJĄCEGO

Płyn nablyszczający ułatwia **SUSZENIE** naczyń. Dozownik płynu nablyszczającego **A** powinien zostać napełniony, gdy kontrolka **BRAK PŁYNU NABLYSZCZAJĄCEGO** świeci się na panelu sterowania.



1. Otworzyć dozownik **B**, naciskając i podnosząc kłapkę na pokrywie.
2. Ostrożnie wlewać płyn nablyszczający, aż do kreski oznaczającej maksymalny poziom napełnienia (110 ml) - unikać rozlania płynu.

Jeśli tak się stanie, należy natychmiast wytrzeć rozlany płyn suchą szmatką.
3. Zatrzasnąć pokrywę.
NIGDY nie wlewać płynu nablyszczającego bezpośrednio do komory zmywarki.

Regulacja dozowania płynu nablyszczającego

Jeśli rezultaty suszenia nie są w pełni zadowalające, można wyregulować dozowanie używanego płynu nablyszczającego.

Aby zmienić ustawienie, należy wykonać czynności zgodnie z instrukcjami podanymi w rozdziale „MENU USTAWIEN”.

Jeśli poziom dozowania płynu nablyszczającego został ustawiony na ZERO, płyn nablyszczający nie będzie dozowany. Kontrolka **BRAK PŁYNU NABLISZCZĄCEGO** nie będzie świecić, jeśli zabraknie płynu nablyszczającego.

Można ustawić maksymalnie 6 poziomów, zależnie od modelu zmywarki.

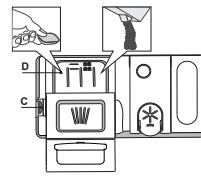
- Jeśli na naczyńkach są widoczne niebieskawe smugi, należy ustawić niski poziom (0-3).
- Jeśli na naczyńkach pozostają krople wody lub oznaki kamienia, należy ustawić wysoki poziom (4-5).

NAPEŁNIANIE DOZOWNIKA DETERGENTU

Aby otworzyć dozownik detergentu, użyć urządzenia do otwierania

C. Detergent wsypywać/wlewać tylko do suchego zasobnika D.

Detergent przeznaczony do mycia wstępnego wsypywać/wlewać bezpośrednio do komory zmywarki.



1. Odmierzając dawkę detergentu, należy uwzględnić informacje podane powyżej, aby dodana ilość detergentu była prawidłowa. Wewnątrz dozownika **D** znajdują się oznaczenia ułatwiające dozowanie detergentu.
2. Przed zatrzaśnięciem pokrywy usunąć pozostałości detergentu z krawędzi dozownika.
3. Zamknąć pokrywę dozownika detergentu, pociągając ją w górę tak, aż urządzenie zamykające zostanie zablokowane na swoim miejscu.

Dozownik detergentu otwiera się automatycznie w odpowiednim czasie, zgodnie z danym programem.

Zastosowanie detergentów nieprzeznaczonych do użytku w zmywarkach może spowodować nieprawidłowe działanie lub uszkodzenie urządzenia.

CODZIENNA EKSPLOATACJA

1. SPRAWDZENIE PRZYŁĄCZA WODY

Sprawdzić, czy zmywarka jest podłączona do instalacji wodnej i czy zawór wody jest otwarty.

2. WŁĄCZANIE ZMYWARKI

Otwórz drzwiczki i naciśnij przycisk **WŁ.-WYŁ.**

3. WKŁADANIE NACZYŃ DO KOSZA (patrz ŁADOWANIE KOSZY).

4. NAPEŁNIANIE DOZOWNIKA DETERGENTU

5. WYBÓR PROGRAMU I DOSTOSOWANIE CYKLU

Wybierz najbardziej odpowiedni program, dostosowany do typu naczyń stołowych i poziomu ich zabrudzenia (patrz **OPIS PROGRAMÓW**), naciskając przycisk wybranego **PROGRAMU**.

Wybierz żądane opcje (patrz **OPCJE I FUNKCJE**). Nie wszystkie opcje są przystosowane do wszystkich programów.

6. START

Uruchom cykl zmywania naciskając przycisk **START/Pauza** (diody LED świeci) i zamykając drzwiczki w przeciągu 4 sekund. Po uruchomieniu programu urządzenie wyemituje pojedynczy sygnał dźwiękowy. Jeśli drzwiczki nie zostaną zamknięte w przeciągu 4 sekund, rozlegnie się dźwięk alarmu. W takim przypadku otwórz drzwiczki, naciśnij przycisk **START/Pauza** i ponownie zamknij drzwiczki w przeciągu 4 sekund.

7. KONIEC CYKLU ZMYWANIA

Koniec cyklu zmywania jest sygnalizowany przez sygnał dźwiękowy oraz za pomocą komunikatu **END [KONIEC]** na wyświetlaczu. Otwórz drzwiczki i wyłącz urządzenie, naciskając przycisk **WŁ.-WYŁ.**

Przed wyjęciem naczyń odczekaj kilka minut - aby uniknąć oparzenia. Wyjmij naczynia, zaczynając od dolnego kosza.

ZMIANA URUCHOMIONEGO PROGRAMU

Jeżeli wybrany został niewłaściwy program, można go zmienić, pod warunkiem, że program dopiero się rozpoczął. **PONOWNE USTAWIENIE** maszyny: naciśnij i przytrzymaj przycisk **WŁ.-WYŁ.** przez ponad 3 sekundy i maszyna się wyłączy. **Na tablicy wskaźników wyświetli się komunikat „0:01”.** Zamknij drzwiczki i poczekać, aż zakończy się cykl spuszczenia wody (około 1 minuty). Otwórz drzwiczki i włącz z powrotem urządzenie za pomocą przycisku **WŁ.-WYŁ.** i wybrać nowy cykl zmywania oraz żądane opcje. Uruchom cykl, naciskając przycisk **START/Pauza** i zamykając drzwiczki w przeciągu 4 sekund.

DODAWANIE DODATKOWYCH NACZYŃ STOŁOWYCH

Bez wyłączenia zmywarki lekko uchyl drzwiczki, aby uniknąć rozpryskiwania się wody na zewnątrz (diody **START/Pauza** zaczyna migać) (**Uwaga! Gorąca para!**) i umieść naczynia wewnątrz zmywarki. Naciśnij przycisk **START/Pauza** i zamknij drzwiczki w przeciągu 4 sekund. Cykl będzie kontynuowany od momentu, w którym został przerwany.

PRZYPADKOWE PRZERWANIE CYKLU

Jeżeli drzwiczki zostaną otwarte w trakcie trwania cyklu zmywania lub jeśli nastąpiła przerwa w dopływie prądu, cykl zostanie wstrzymany. Zamknij drzwiczki i **JEDYNIEM WÓWCZAS, GDY** naciśniesz przycisk **START/Pauza** i zamkniesz drzwiczki w przeciągu 4 sekund, cykl będzie kontynuowany od momentu, w którym został przerwany.

PORADY I WSKAZÓWKI

PORADY

Przed włożeniem naczyń do kosza, należy usunąć wszystkie resztki jedzenia i opróżnić szklanki. **Nie trzeba ich wcześniej płukać pod bieżącą wodą.**

Rozmieść naczynia tak, aby były mocno utrzymywane na miejscu i nie mogły się przewrócić; pojemniki ułożyć tak, aby ich otwory były skierowane w dół, a wklęsłe/wypukłe elementy były ustawione ukośnie, dzięki czemu woda będzie mogła docierać do każdej powierzchni i swobodnie przepływać.

Ostrzeżenie: pokrywki, uchwyty, tace i patelnie nie mogą uniemożliwiać obracania się ramion natryskowych.

Wszystkie małe przedmioty należy umieszczać w koszyku na sztućce.

Bardzo zabrudzone naczynia i patelnie powinny być umieszczane w dolnym koszu, ponieważ w tej części komory zmywarki strumienie wody są silniejsze i zmywanie jest bardziej skuteczne.

Po włożeniu naczyń do zmywarki trzeba sprawdzić, czy ramiona natryskowe mogą obracać się swobodnie.

NACZYNIA NIE NADAJĄCE SIĘ DO ZMYWANIA W ZMYWARKACH

- Naczynia i sztućce drewniane.
- Szklanki z delikatnym zdobieniem, wyroby artystyczne lub naczynia zabytkowe. Ich zdobienia nie są odporne.
- Elementy z tworzywa sztucznego, które nie są odporne na wysokie temperatury.
- Naczynia miedziane i cynowe.
- Naczynia zabrudzone popiołem, woskiem, smarem lub tuszem.

Kolory szklanych dekoracji oraz aluminiowe/srebrne części mogą zmienić się lub ściemnieć podczas zmywania. Niektóre rodzaje wyrobów szklanych (np. kryształ) mogą stracić przezroczystość po zbyt wielu cyklach zmywania.

USZKODZENIE NACZYŃ SZKLANYCH I PORCELANOWYCH

- W zmywarkach można myć tylko takie naczynia szklane i porcelanowe, których producent deklaruje, że są przeznaczone do zmywarek.
- Używać delikatnego detergentu, przeznaczonego do porcelany.
- Naczynia szklane i porcelanowe należy wyjmować ze zmywarki, jak tylko zmywanie się skończy.

WSKAZÓWKI DOTYCZĄCE OSZCZĘDZANIA ENERGII

- Jeśli zmywarka domowa użytkowana jest zgodnie z zaleceniami producenta, **zmywanie naczyń w zmywarce zazwyczaj pochłania MNIEJ ENERGII ELEKTRYCZNEJ i mniej wody niż zmywanie ręczne.**
- Aby maksymalnie zwiększyć wydajność zmywarki, **należy uruchamiać cykl zmywania po pełnym załadowaniu urządzenia.** Ładowanie zmywarki domowej w stopniu zalecanym przez producenta przyczyni się do oszczędności energii elektrycznej i wody. Informacje na temat prawidłowego ładowania naczyń w zmywarce można odnaleźć w rozdziale **ŁADOWANIE KOSZY**. W przypadku częściowego załadowania, zaleca się skorzystanie ze specjalnych opcji, jeśli są one dostępne (Połowa załadunku/ Zmywanie strefowe/ Wiele stref), zapelniając jedynie wybrane kosze. Nieprawidłowe lub nadmierne ładowanie zmywarki może spowodować zwiększenie zużycia mediów (np. wody, energii, czasu lub zwiększenie poziomu hałasu), co wpływa negatywnie na wydajność suszenia.
- Ręczne spłukiwanie naczyń przyczynia się do większego zużycia wody i energii elektrycznej i nie jest zalecane.

DEZYNFEKCJA ZMYWARKI

Aby uniknąć powstawania nieprzyjemnych zapachów i tworzenia się osadów, które mogą pojawić się w zmywarce, **należy co najmniej raz w miesiącu włączyć program z wysoką temperaturą.** Aby wyczyścić zmywarkę, należy wsypać/wlać jedną łyżeczkę detergentu i włączyć program bez wkładania naczyń.

ODPORNOŚĆ NA NISKIE TEMPERATURY

Jeśli urządzenie jest umieszczone w środowisku narażonym na ryzyko niskich temperatur, **należy je całkowicie opróżnić z wody.** Zamknij zawór wody i odłącz wąż doprowadzający wodę oraz wąż spustowy, a następnie pozwól na wypłynięcie z nich wody. **Sprawdź, czy ze zmięczacz wody jest wypełniony rozpuszczoną solą regeneracyjną w zbiorniku soli,** aby chronić urządzenie przed temperaturami aż do -20 °C. Jeżeli urządzenie było przechowywane w warunkach niskich temperatur, przed pierwszym uruchomieniem musi ono pozostać w temperaturze otoczenia wynoszącej min. 5°C przez przynajmniej 24 godziny.

TABELA PROGRAMÓW

Program	Opis programów	Faza suszenia	NaturalDry	Dostępne opcje *)	Czas trwania programu (godz./min)**	Zużycie wody (litry/cykl)	Zużycie energii (kWh/cykl)
Eco	Eko 50° - program jest przeznaczony do mycia naczyń o zwykłym stopniu zabrudzenia; dla tego zastosowania jest to najbardziej wydajny program pod względem zużycia energii elektrycznej i wody oraz w takim zastosowaniu program ten uzyskał certyfikat zgodności z dyrektywą unijną Ecodesign.	✓	✓	1/2 ☼ ⚡ POWER CLEAN + ⌚	4:00	9,5	0,65
	Szybki 45° - Program należy stosować przy połowie załadunku lub lekko zabrudzonych naczyniach, na których nie zalegają resztki jedzenia. Nie ma fazy suszenia.	-	✓	1/2 ☼ ⚡ + ⌚	0:30 - 0:40	10,0 - 12,0	0,55 - 0,65
	Kryształy 45° - Program do mycia delikatnych naczyń, które są bardziej wrażliwe na wysoką temperaturę, np. szklanki i kubeczki.	✓	✓	1/2 ☼ ⚡ + ⌚	1:40 - 1:50	12,5 - 16,5	0,95 - 1,20
	Auto Intensywny 65° - Automatyczny program do zmywania mocno zabrudzonych garnków i talerzy.	✓	✓	1/2 ☼ ⚡ POWER CLEAN + ⌚	2:25 - 3:10	15,5 - 24,5	1,30 - 1,70
	Auto Mieszany 55° - automatyczny program do normalnie zabrudzonych naczyń z zaschniętymi resztkami jedzenia.	✓	✓	1/2 ☼ ⚡ POWER CLEAN + ⌚	1:20 - 3:00	7,5 - 19,5	0,75 - 1,20
	Auto Szybki 50° - automatyczny program do średnio i lekko zabrudzonych naczyń. Cykl do codziennego stosowania, który zapewnia optymalne rezultaty zmywania i suszenia w krótszym czasie.	✓	✓	1/2 ☼ ⚡ POWER CLEAN + ⌚	1:00 - 1:50	7,5 - 15,5	0,70 - 1,10
	Mycie wstępne - Oplukiwanie naczyń przeznaczonych do późniejszego mycia. W tym programie nie używa się żadnego detergentu.	-	✓	1/2 ⌚	0:12	4,5	0,10
	Samoczyszczenie 65° - Program przeznaczony do przeprowadzania konserwacji zmywarki, tylko w przypadku gdy zmywarka jest PUSTA, z zastosowaniem specjalnych detergentów służących do konserwacji zmywarki.	-	-	⌚	1:15	11,0	1,10

Dane Programu Eko uzyskano na podstawie pomiarów wykonanych w warunkach laboratoryjnych zgodnie z normą europejską EN 60436:2020.

Uwaga dla laboratoriów testowych: szczegółowe informacje dotyczące warunków testów porównawczych EN można uzyskać pod adresem:

dw_test_support@whirlpool.com

Przed żadnym z tych programów nie ma potrzeby wstępnego przygotowania naczyń.

*) Nie wszystkie opcje mogą być używane jednocześnie.

***) Wartości podane dla innych programów niż program Eko mają charakter referencyjny. Rzeczywisty czas może się zmieniać w zależności od wielu czynników, takich jak temperatura i ciśnienie dopływającej wody, temperatura otoczenia, ilość detergentu, wielkość i typ załadunku oraz jego wyważenie, a także od dodatkowo wybranych opcji i kalibracji czujnika. Kalibracja czujnika może wydłużyć czas trwania programu aż o 20 min.

OPCJE I FUNKCJE

OPCJE można wybierać/ anulować wybór bezpośrednio po wybraniu programu, naciskając odpowiedni przycisk (jeśli jest dostępny – zapala się kontrolka) (patrz PANEL STEROWANIA). Jeśli dana opcja nie może być używana z wybranym programem (patrz TABELA PROGRAMÓW), odpowiednia dioda LED mignie szybko 3 razy i będzie słychać sygnał dźwiękowy. Opcja nie zostanie włączona. Opcja może zmienić czas lub zużycie wody lub energii dla programu.

POWER CLEAN - Dzięki dodatkowym silnym dyszom ta opcja zapewnia bardziej intensywne i dokładne mycie w koszu dolnym, w określonym jego obszarze. Opcja ta jest polecana do mycia garnków i patelni. (Prosimy zapoznać się z częścią dotyczącą obciążenia Power Clean®).

1/2 POŁOWA ZAŁADUNKU - Jeśli nie ma wielu naczyń do zmywania, używany jest program połowy załadunku, w celu oszczędzania wody, energii elektrycznej lub czasu, w zależności od wybranego programu. **Należy pamiętać, aby zmniejszyć ilość detergentu.**

|||+DODATKOWE SUSZENIE - Wyższa temperatura podczas ostatniego płukania i przedłużona faza suszenia pozwala na lepsze suszenie. Opcja **DODATKOWE SUSZENIE** powoduje wydłużenie cyklu zmywania.

☼ CICHLO - odpowiedni do zmywania w nocy. Ta opcja może być wykorzystana do ograniczenia emisji hałasu podczas faz zmywania. Wydłuży ona czas cyklu w zależności od wyboru cyklu podstawowego.

⚡ PŁUKANIE SANI - Ta opcja może być użyta do dezynfekcji mytych naczyń. Jej włączenie spowoduje podwyższenie temperatury końcowego płukania i dodanie zmywania antybakteryjnego do wybranego programu. Idealna do mycia naczyń i butelek do karmienia. Drzwiczki zmywarki muszą być zamknięte przez cały czas trwania programu, aby zagwarantować usunięcie zarazków.

OSTRZEŻENIE: po zakończeniu cyklu naczynia i talerze mogą być bardzo gorące.

⌚ OPOŹNIENIE - Włączenie programu można opóźnić o pewien czas, od 30 minut do 24 godzin.

- Wybrać program i którąkolwiek z żądanych opcji. Nacisnąć przycisk OPOŹNIENIE (kilkukrotnie), aby opóźnić rozpoczęcie programu. Dostępna jest regulacja w zakresie od pół godziny do 24 godzin. Gdy osiągnięte zostanie ustawienie 24 godzin, wcisnąć przycisk OPOŹNIENIE kolejny raz, aby dezaktywować funkcję OPOŹNIENIE.
- Wcisnąć przycisk START/Pauza i zamknąć drzwi w przeciągu 4 sek. Zegar zacznie odliczanie.
- Po upływie ustawionego czasu kontrolka gaśnie, a program włącza się automatycznie.

Funkcja OPOŹNIENIE nie może być ustawiana po włączeniu się programu.

☼ CZAS NA PODŁODZE - Światło LED, wyświetlane na podłodze, wskazuje czas pozostały do końca cyklu. Lampka gaśnie przy każdym otwarciu drzwi. Lampka pozostaje włączona podczas cyklu i wyłącza się po jego zakończeniu. Ta funkcja jest domyślnie ustawiona jako aktywna, jednak można ją wyłączyć w "MENU USTAWIEN".

⚡ ODKAMNIENIE - Alarm - Wykryto nagromadzenie kamienia na wewnętrznych elementach urządzenia. Sprawdzić, czy **Ustawienie Twardości Wody** ma prawidłową wartość, a **sól** jest obecna w pojemniku na sól (patrz **PIERWSZE UŻYCIĘ**), a następnie **użyć produktu do odkamieniania** (zalecana jest marka WPro) i włączyć program **Samoczyszczenie**. Po udanym odkamienianiu ikona nie będzie już wyświetlana.

Jeśli opisane powyżej czynności nie zostaną wykonane, wydajność maszyny się pogorszy. Ostrzeżenie «Odkamienianie» zacznie mrugać, a alarm «dES» pojawi się na wyświetlaczu. Jeśli nadal nie podjęte zostanie żadne działanie, urządzenie umożliwi włączenie jedynie pewnej ilości cykli (wskazanej podczas wyświetlania alarmu «dES») a następnie zostanie **ZABLOKOWANE**, aby zapobiec uszkodzeniom elementów urządzenia, a **dostępny będzie jedynie program Samoczyszczenie**. Przeprowadzenie pełnego odkamieniania odblokuje urządzenie. W przypadku wyjątkowo dużych ilości kamienia, możliwe, że trzeba będzie wykonać odkamienianie dwa razy, aby było skuteczne.

NaturalDry - to konwekcyjny system suszenia, który automatycznie otwiera drzwiczki podczas/po fazie suszenia, aby zapewnić doskonałe rezultaty suszenia każdego dnia. Drzwiczki można otworzyć po osiągnięciu temperatury bezpiecznej dla mebli kuchennych, zatem przy użyciu opcji **PŁUKANIE SANI** drzwiczki będą zablokowane.

Do zmywarki dołączono specjalnie zaprojektowaną folię ochronną która pełni funkcję dodatkowej ochrony przed parą. Prosimy zapoznać się z INSTRUKCJĄ INSTALACJI, aby dowiedzieć się, jak zamontować folię ochronną. Ta funkcja jest domyślnie ustawiona jako aktywna, jednak można ją wyłączyć w "MENU USTAWIEN".

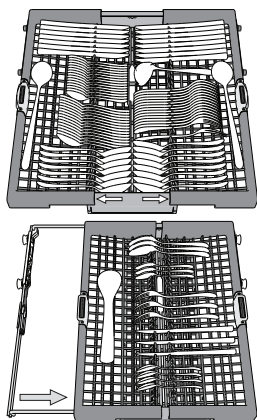
⚡ WYKRYWANIE - kiedy czujnik wykryje poziom zabrudzenia, na wyświetlaczu pojawi się animacja (około 20 min.), a długość cyklu zmywania zostanie aktualizowany. Funkcja wykrywania służy do pomiaru poziomu zabrudzenia naczyń i jest ona obecna we wszystkich cyklach (z wyjątkiem trybu Eco), dostosowując odpowiednio program.

⚡ ZAWÓR WODY ZAMKNIĘTY - Alarm - Miga, gdy nie jest doprowadzana woda lub zawór wody jest zamknięty.

PÓŁKA-KOSZ NA SZTUĆCE

Trzecia półka-kosz jest przeznaczona do umieszczania sztućców.

Sztućce należy wkładać tak, jak to pokazano na rysunku. Rozdzielone ułożenie sztućców ułatwia ich wyjmowanie po zmywaniu i zapewnia lepsze wysuszenie.

**Noże i inne akcesoria o ostrych czubkach i krawędziach należy układać ostrzami skierowanymi w dół.**

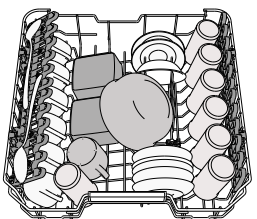
Półka na sztućce jest wyposażona w dwie przesuwne boczne półki, aby uzyskać jak najwyższą przestrzeń pod spodem i umożliwić umieszczenie wysokich naczyń w górnym koszu.

GÓRNY KOSZ

Tu należy wkładać delikatne i lekkie naczynia: szklanki, filiżanki, talerzyki, małe miseczki do sałatek.

Górny kosz jest wyposażony w podnoszone wsporniki, które mogą być używane w pozycji pionowej przy wkładaniu spodeczków/talerzyków deserowych lub w pozycji opuszczonej, przy wkładaniu misek i pojemników na żywność.

(przykładowe załadowanie górnego kosza)

**Regulacja wysokości górnego kosza**

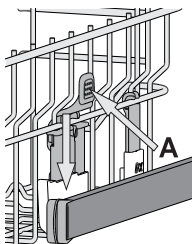
Wysokość górnego kosza można wyregulować: wyższe położenie umożliwia umieszczenie dużych naczyń w dolnym koszu, a niższe pozwala na najwyższe ustawienie podnoszonych wsporników, co daje więcej miejsca u góry, a jednocześnie pozwala uniknąć stykania się z naczyniami umieszczonymi w dolnym koszu.

Górny kosz jest wyposażony w **regulator wysokości górnego kosza** (patrz ilustracja); bez naciskania dźwigni, można łatwo podnieść kosz trzymając go za boczne części i umieszczając stabilnie w górnym położeniu.

Aby przywrócić dolne położenie, nacisnąć dźwignieki **A** po bokach kosza i przesunąć kosz w dół.

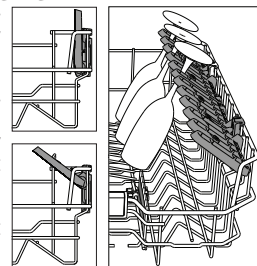
Zdecydowanie zalecamy, aby nie regulować wysokości kosza, gdy jest załadowany.

NIGDY nie podnosić lub opuszczać kosza tylko z jednej strony.

**Składane półeczki z regulowanym położeniem**

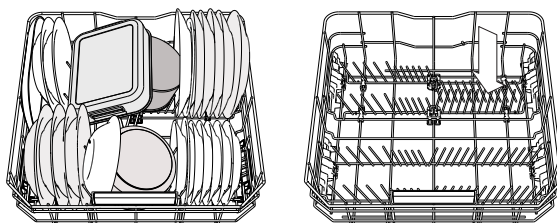
Boczne składane kłapy można złożyć lub rozłożyć, aby zoptymalizować ułożenie naczyń w koszyku. Kieliszki do wina można bezpiecznie umieścić, wkładając nóżkę każdego kieliszka do odpowiedniego otworu. W zależności od modelu:

- aby rozłożyć kłapy, należy wysunąć je do góry i obrócić lub zwolnić z zatrzasków i pociągnąć do dołu.
- aby złożyć kłapy, należy obrócić je i wsunąć je do dołu lub wyciągnąć do góry i zamocować do zatrzasków.

**DOLNY KOSZ**

Do garnków, pokrywek, talerzy, misek do sałatek, sztućców itp. Duże talerze i pokrywki powinny być umieszczane z boku, aby uniknąć stykania się z ramieniem natryskowym.

Dolny kosz jest wyposażony w podnoszone wsporniki, które mogą być używane w położeniu pionowym przy wkładaniu talerzy lub w położeniu poziomym, aby ułatwić wkładanie patelni i misek.



(przykładowe załadowanie dolnego kosza)

POWER CLEAN®

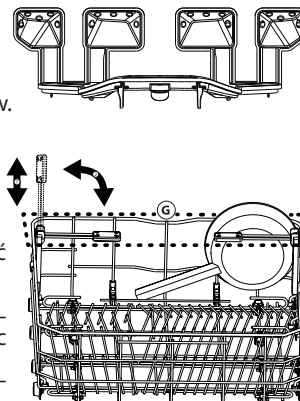
System Power Clean® wykorzystuje specjalne dysze wodne znajdujące się z tyłu komory, które pozwalają na intensywne mycie bardzo zabrudzonych naczyń. Dolny kosz posiada miejsce do umieszczania dużych przedmiotów.

Z tyłu kosza znajduje się specjalny wysuwany wspornik, który może być używany do podparcia patelni lub blach do pieczenia i ustawienia ich pionowo, dzięki czemu będą zajmowały mniej miejsca.

Umieszczając garnki/patelnie skierowane w stronę elementu Power Clean®, należy włączyć **POWER CLEAN** na panelu sterowania.

Stosowanie opcji Power Clean®:

1. Dostosować obszar Power Clean (**G**), składając tylne uchwyty w taki sposób, aby móc włożyć garnki.
2. Włożyć przechylone w pionie garnki i patelnie w obszar Power Clean®. Garnki muszą być zwrócone w kierunku silnych dysz wodnych.

**UTRZYMANIE I KONSERWACJA****CZYSZCZENIE ZESPOŁU FILTRA**

Zespół filtra należy regularnie czyścić, zapobiegając jego zapychaniu i zapewniając prawidłowy odpływ ścieków.

Używanie zmywarki, w której zablokowane są filtry lub zawierającej ciała obce w układzie filtrowania może spowodować nieprawidłowe działanie urządzenia, co prowadzi do obniżenia wydajności, głośnej pracy lub większego wykorzystania mediów.

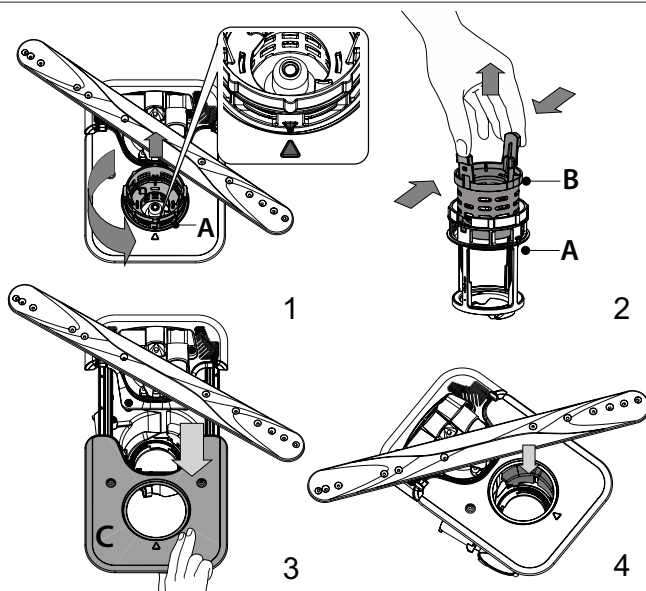
Zespół filtra składa się z trzech filtrów, które usuwają resztki jedzenia z myjącej wody, a następnie umożliwiają jej obieg: aby uzyskać najlepsze rezultaty zmywania, należy utrzymywać je w czystości.

Nie wolno używać zmywarki bez filtrów lub jeśli filtry są źle zamocowane.

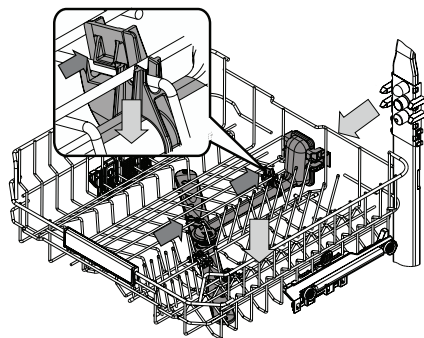
Co najmniej raz na miesiąc lub po każdym 30 cyklach zmywania należy sprawdzić zespół filtra i w razie potrzeby oczyścić go dokładnie pod bieżącą wodą za pomocą szczoteczki z nie-metalowym włosiem i postępując zgodnie z poniższymi instrukcjami:

1. Odkręcić filtr cylindryczny **A** w kierunku ruchu wskazówek zegara i wyciągnąć go (Rys. 1). **Ważne jest, aby przy ponownym montażu filtra, dwa trójkąty pokazane na zbliżeniu, spotkały się.**
2. Zdjąć korek filtra **B** lekko naciskając boczne kłapki (Rys. 2).
3. Wysunąć filtr płytkowy ze stali nierdzewnej **C** (Rys. 3).
4. W przypadku odnalezienia ciał obcych (np. potłuczonego szkła, porcelany, kości, pestek owoców itp.), **należy je ostrożnie wyjąć.**
5. Sprawdzić syfon i usunąć wszelkie resztki potraw. **NIGDY NIE NALEŻY WYJMOWAĆ** osłony pompy cyklu myjącego (pokazane strzałką) (Rys. 4).

Po oczyszczeniu filtrów założyć z powrotem zespół filtra i zamocować go w prawidłowym położeniu; jest to niezbędne dla utrzymania sprawnego funkcjonowania zmywarki.

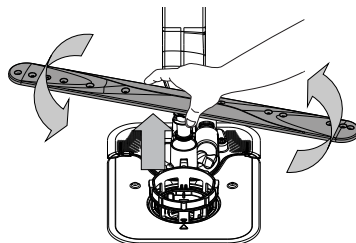


CZYSZCZENIE RAMION NATRYSKOWYCH

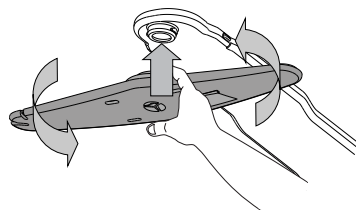


Może się zdarzyć, że resztki potraw pozostaną na ramionach natryskowych i będą zatykać otwory, przez które wytryskiwana jest woda. Dlatego też zaleca się, aby od czasu do czasu sprawdzić ramiona natryskowe i oczyścić je małą szczoteczką z nie-metalowym włosiem.

Aby usunąć spryskiwacz górny, usuń go z kolektorem.



Dolne ramie natryskowe można wyjmować pociągając je w górę i obracając je w kierunku przeciwnym do wskazówek zegara. Ponowne osadzenie ramienia natryskowego odbywa się poprzez pociągnięcie go w dół i obrócenie go w kierunku zgodnym z ruchem wskazówek zegara.



Górne ramie natryskowe można wyjmować wciskając je w górę i obracając je w kierunku przeciwnym do wskazówek zegara. Ponowne osadzenie ramienia natryskowego odbywa się poprzez pociągnięcie go w górę i obrócenie go w kierunku zgodnym z ruchem wskazówek zegara.

USUWANIE USTEREK

Jeśli zmywarka nie działa prawidłowo, należy sprawdzić czy problem można rozwiązać wykonując czynności opisane poniżej. W przypadku błędów lub problemów prosimy skontaktować się z zakładem serwisowym, którego dane kontaktowe można odnaleźć w książeczce gwarancyjnej. Części zamienne będą dostępne przez okres do 7 lub do 10 lat, zgodnie z określonymi wymaganiami rozporządzenia.

PROBLEMY	MOŻLIWE PRZYCZYNY	ROZWIĄZANIE
Świeci się wskaźnik soli	Zbiornik soli jest prawie pusty.	Napełnij zbiornik solą (aby uzyskać więcej informacji, patrz NAPEŁNIANIE ZBIORNIKA SOLI). W razie potrzeby sprawdź ustawienie twardości wody, patrz TABELA TWARDOŚCI WODY .
Wskaźnik soli miga	Zbiornik soli jest pusty.	Jak najszybciej napełnij zbiornik solą. Używanie urządzenia bez soli może spowodować uszkodzenie jego podzespołów wewnętrznych.
Wskaźnik płynu nablyszczającego świeci się lub miga	Dozownik płynu nablyszczającego jest pusty. (Po ponownym napełnieniu wskaźnik płynu nablyszczającego może pozostać zapalony przez krótki czas).	Ponownie napełnij dozownik płynem nablyszczającym (aby uzyskać więcej informacji, patrz NAPEŁNIANIE DOZOWNIKA PŁYNU NABLYSZCZAJĄCEGO).
Wskaźnik odkamieniania świeci się lub miga; wyświetlany jest alarm „DES”	Na wewnętrznych podzespołach urządzenia osadza się kamień.	Natychmiast usuń kamień z urządzenia korzystając z programu Samoczyszczenie i dostępnego na rynku preparatu do usuwania kamienia (patrz OPCJE I FUNKCJE). Ponownie napełnij zbiornik solą. Sprawdź ustawienie twardości wody. Jeśli urządzenie nie zostanie odkamienione, przestanie działać.
Zmywarka nie włącza się lub nie reaguje na polecenia.	Urządzenie nie zostało prawidłowo podłączone do zasilania.	Włóż wtyczkę przewodu zasilającego do gniazdka.
	Przerwa w dopływie prądu.	Ze względów bezpieczeństwa, zmywarka nie uruchomi się ponownie automatycznie po przywróceniu zasilania. Otwórz drzwiczki zmywarki, naciśnij przycisk START/Pauza i zamknij drzwiczki w przeciągu 4 sekund.
	Drzwiczki zmywarki nie są zamknięte. Sworzeń NaturalDry nie jest wsunięty.	Energicznie popchnij drzwiczki aż do usłyszenia "kliknięcia".
	Cykl zostaje przerwany przez otwarcie drzwi przez ponad 4 sekundy.	Naciśnij przycisk START/Pauza i zamknij drzwiczki w przeciągu 4 sekund.
Zmywarka nie odpompowuje wody. Na wyświetlaczu widoczny jest komunikat: F7 E3 lub F9 E1	Filtr jest zatkany resztkami potraw lub kamieniem.	Oczyść filtr i usuń kamień z urządzenia (patrz CZYSZCZENIE ZESPOŁU FILTRA i INSTRUKCJA ODKAMIANIANIA).
	Wąż odpływowy jest zagięty.	Sprawdź wąż odpływowy (patrz INSTRUKCJA INSTALACJI).
	Rura odpływu zlewu jest zatkana.	Oczyść rurę odpływu w zlewie.
Zmywarka powoduje nadmierne hałas.	Naczynia stukają między sobą.	Prawidłowo rozmieść naczynia (patrz ŁADOWANIE KOSZY).
	Występuje nadmierna ilość piany.	Porcja detergentu nie została poprawnie odmierzona, albo detergent nie nadaje się do stosowania w zmywarkach (patrz NAPEŁNIANIE DOZOWNIKA DETERGENTU). Ponownie uruchom bieżący cykl poprzez WYŁĄCZENIE zmywarki, następnie włącz ją ponownie, wybierz nowy program, naciśnij przycisk START/Pauza i zamknij drzwiczki w przeciągu 4 sekund. Nie dodawaj żadnego detergentu.
	Naczynia nie zostały prawidłowo rozmieszczone.	Prawidłowo rozmieść naczynia (patrz ŁADOWANIE KOSZY).
	Filtr jest zatkany resztkami potraw lub kamieniem.	Oczyść zespół filtra (patrz UTRZYMANIE I KONSERWACJA).
Naczynia nie są czyste.	Naczynia nie zostały prawidłowo rozmieszczone.	Prawidłowo rozmieść naczynia (patrz ŁADOWANIE KOSZY).
	Ramiona natryskowe nie mogą obracać się swobodnie, zaczepiają się o naczynia.	Prawidłowo rozmieść naczynia (patrz ŁADOWANIE KOSZY). Sprawdź, czy górny kosz jest w prawidłowym położeniu i w razie potrzeby wyreguluj (podnieś).
	Cykl zmywania jest zbyt delikatny.	Wybierz odpowiedni cykl zmywania (patrz TABELA PROGRAMÓW).
	Występuje nadmierna ilość piany.	Porcja detergentu nie została poprawnie odmierzona, albo detergent nie nadaje się do stosowania w zmywarkach (patrz NAPEŁNIANIE DOZOWNIKA DETERGENTU).
	Pokrywka przegródki na płyn nablyszczający nie została prawidłowo zamknięta.	Upewnij się, czy dozownik płynu nablyszczającego jest zamknięty.
	Filtr jest zatkany resztkami potraw lub kamieniem.	Oczyść filtr i usuń kamień z urządzenia (patrz CZYSZCZENIE ZESPOŁU FILTRA).
Zbiornik soli jest pusty.	Napełnij zbiornik soli (patrz NAPEŁNIANIE ZBIORNIKA SOLI).	

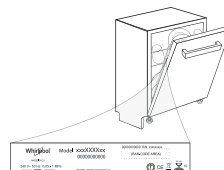
PROBLEMY	MOŻLIWE PRZYCZYNY	ROZWIĄZANIE
Zmywarka nie napełnia się wodą. Na wyświetlaczu widoczny jest komunikat: H2O i \emptyset się świeci; rozlega się alarm akustyczny.	Brak wody w sieci wodociągowej lub zawór jest zamknięty.	Sprawdź, czy woda dopływa z sieci wodociągowej lub czy zawór wody jest otwarty.
	Wąż dopływowy wody jest zagięty.	Sprawdź wąż dopływowy (patrz <i>INSTRUKCJA INSTALACJI</i>). Otwórz drzwiczki zmywarki, naciśnij przycisk START/Pauza i zamknij drzwiczki w przeciągu 4 sekund.
	Filtr siatkowy w węży dopływowy wody jest zapchany; niezbędne jest jego oczyszczenie.	Sprawdź i oczyść filtr siatkowy w węży dopływowy wody. Otwórz drzwiczki zmywarki, naciśnij przycisk START/Pauza i zamknij drzwiczki w przeciągu 4 sekund.
Zmywarka kończy cykl przedwcześnie. Na wyświetlaczu widoczny jest komunikat: F8 E3	Filtr jest zatkany resztkami potraw lub kamieniem.	Oczyść filtr i usuń kamień z urządzenia (patrz <i>CZYSZCZENIE ZESPOŁU FILTRA I INSTRUKCJA ODKAMIENIANIA</i>).
	Wąż odpływowy ustawiony zbyt nisko lub odprowadzanie wody za pomocą syfonu do domowej sieci kanalizacyjnej.	Sprawdź czy końcówka węża odpływowego jest ustawiona na odpowiedniej wysokości (patrz <i>INSTRUKCJA INSTALACJI</i>). Sprawdź czy woda nie jest odprowadzana za pomocą syfonu do domowej sieci kanalizacyjnej, i w razie potrzeby zamontować przerywacz syfonu/zawór napowietrzający.
	Występuje nadmierna ilość piany.	Porcja detergentu nie została poprawnie odmierzona, albo detergent nie nadaje się do stosowania w zmywarkach (patrz <i>NAPEŁNIANIE DOZOWNIKA DETERGENTU</i>).
	Powietrze w instalacji doprowadzenia wody.	Sprawdź czy w instalacji wodnej nie ma nieszczelności lub innych problemów umożliwiających dostęp powietrza.
Naczynia nie są dobrze wysuszone.	Brak płynu nablyszczającego lub dawka jest zbyt mała.	Upewnij się, że dozownik płynu nablyszczającego jest napełniony (patrz <i>NAPEŁNIANIE DOZOWNIKA PŁYNU NABLYSZCZAJĄCEGO</i>). Same tabletki wielofunkcyjne do zmywarek nie zapewnią tak dobrych efektów suszenia, jak rzeczywiste używanie płynu nablyszczającego.
	Naczynia zostały wyładowane po automatycznym otwarciu drzwi, ale przed faktycznym zakończeniem cyklu.	Przed rozpoczęciem rozładowywania naczyń należy upewnić się, że cykl zakończył się (patrz <i>CO-DZIENNA EKSPLOATACJA</i>). W celu uzyskania jeszcze lepszych rezultatów suszenia zaleca się pozostawienie naczyń wewnątrz zmywarki z otwartymi drzwiami przez dodatkowe 15 minut po zakończeniu cyklu.
	Naczynia są ułożone zbyt płasko.	W przypadku zauważenia kałuż wody w zagłębieniach filiżanek, kubków lub misek, spróbuj załadować naczynia (zwłaszcza w górnym koszu), tak aby zapewnić większe nachylenie, w celu umożliwienia ściekania większej ilości wody przed rozpoczęciem suszenia.
	Wybrany cykl nie posiada fazy suszenia.	Prosimy sprawdzić w <i>TABELI PROGRAMÓW</i> , czy wybrany program jest wyposażony w fazę suszenia. Cykl bez fazy suszenia może nie zapewniać pożądanej wydajności suszenia, dlatego zaleca się zmianę wyboru cyklu na ten, który posiada fazę suszenia.
	Naczynia są wykonane z tworzywa sztucznego lub materiału antyadhezyjnego.	Trochę kropelek wody, pozostających na tego typu materiale, jest zjawiskiem normalnym.
Naczynia i szklanki mają niebieskie smugi lub niebieskawe odcienie.	Dozowanie płynu nablyszczającego jest nadmierne.	Zmień dozowanie na niższe ustawienia.
Naczynia i szklanki są pokryte wapiennym lub białawą warstwą.	Zbiornik soli jest pusty.	Jak najszybciej napełnij zbiornik solą. Używanie urządzenia bez soli może spowodować uszkodzenie jego podzespołów wewnętrznych.
	Twardość wody jest ustawiona na zbyt niską twardość.	Zwiększ ustawienie (patrz <i>TABELA TWARDOŚCI WODY</i>).
	Pokrywka zbiornika soli nie jest dokładnie zamknięta.	Sprawdź i zamknij pokrywę zbiornika soli.
	Zbiornik płynu nablyszczającego jest pusty lub dozowanie płynu nablyszczającego jest niewystarczające.	Ponownie napełnij dozownik płynem nablyszczającym i sprawdź ustawienie dozowania (aby uzyskać więcej informacji, patrz <i>NAPEŁNIANIE DOZOWNIKA PŁYNU NABLYSZCZAJĄCEGO</i>).
Zmywarka wyświetla komunikat F8 E5	Zawór jest zablokowany lub uszkodzony.	Jeśli to możliwe, zamknij zawór wody. Nie wyłączaj zasilania. Zadzwoń do serwisu.



Zasady, standardową dokumentację, informacje na temat zamawiania części zamiennych oraz dodatkowe informacje o produkcie można znaleźć:

- Używając kodu QR i odwiedzając naszą stronę internetową: **docs.whirlpool.eu**
- Odwiedzając naszą stronę internetową: **parts-selfservice.whirlpool.com**
- Ewentualnie można **skontaktować się z naszą obsługą posprzedażową** (patrz numer telefonu w książeczce gwarancyjnej). Kontaktując się z naszą obsługą posprzedażową, należy podać kody zamieszczone na tabliczce identyfikacyjnej produktu.

Informacje o modelu można uzyskać przy pomocy kodu QR podanego na etykiecie energetycznej. Etykieta zawiera również identyfikator modelu, którego można użyć do znalezienia informacji na portalu rejestru pod adresem <https://eprel.ec.europa.eu>.





VĂ MULȚUMIM CĂ AȚI ACHIZIȚIONAT UN PRODUS WHIRLPOOL. Pentru a beneficia de servicii complete de asistență, vă rugăm să vă înregistrați aparatul pe: www.whirlpool.eu/register

Înainte de a utiliza aparatul, citiți cu atenție instrucțiunile privind siguranța și de instalare. Mai multe informații despre produs sunt disponibile pe site-ul web: docs.whirlpool.eu

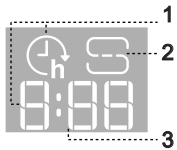
După instalare, nu uitați să îndepărtați toate piesele de protecție pentru transport ale mașinii de spălat vase.

PANOUL DE COMANDĂ



1. Buton **PORNIRE/OPRIRE/Resetare** cu indicator luminos
2. Butonul **programului Eco** cu indicator luminos
3. Butonul **programului Rapidă** cu indicator luminos/ **programul Înuiere** - apăsați 3 sec.
4. Butonul **programului Cristal** cu indicator luminos/ **programul Auto-curățare** - apăsați 3 sec.
5. Butoanele **programelor Automate**, cu indicatoare luminoase - **Auto Intensiv 65°/ Auto Amestec 55°/ Auto Rapid 50°**
6. Indicator luminos al compartimentului pentru **Săruri gol**
7. Indicator luminos al compartimentului pentru agent de **Clătire gol**
8. **Afișaj**
9. **Indicator număr program și timp rămas**
10. Indicator luminos **pentru Robinet de apă închis**
11. Indicator luminos **DECALCIFIERE**
12. Butoanele **opțiunilor Extra**, cu indicatoare luminoase - **Încărcare pe jumătate/ Silențios/ Clătire igienizantă**
13. Butonul **opțiunii Power Clean®** cu indicator luminos
14. Butonul **opțiunii Uscare Extra** cu indicator luminos/ **Setări** - apăsați 3 sec.
15. Butonul **opțiunii Întârziere** cu indicator luminos
16. Butonul **PORNIRE/Pauză** cu indicator luminos

AFIȘARE PE PARDOSEALĂ



1. **Durată de temporizare afișată pe pardoseală** - indicatorul timpului rămas până la începerea ciclului, atunci când este setată opțiunea Întârziere
2. **Compartiment pentru săruri gol** - indicatorul luminos proiectat pe pardoseală
3. **Timp rămas afișat pe pardoseală** - indicatorul timpului rămas până la finalul ciclului

PRIMA UTILIZARE

MENIUL DE SETĂRI

1. Porniți aparatul apăsând pe butonul **PORNIRE/OPRIRE**.
2. Mențineți apăsat butonul **Setări** (Uscare Extra) timp de 3 secunde, până când auziți un semnal sonor și pe afișaj apare mesajul „**SET**”.
3. După o secundă va fi afișată prima setare disponibilă (litera „h”).
4. Apăsați pe **programe Automate** / **opțiuni Extra** pentru a derula lista de setări disponibile. (consultați tabelul de mai jos), apoi apăsați pe **PORNIRE/Pauză** pentru a vizualiza și modifica valoarea setării selectate în mod actual.
5. Apăsați pe **programe Automate** / **opțiuni Extra** pentru a modifica valoarea, apoi apăsați pe **PORNIRE/Pauză** pentru a salva noua valoare.
6. Pentru a modifica o altă setare, repetați punctele 2 și 5.
7. Apăsați pe **PORNIRE/OPRIRE** sau așteptați 30 de secunde pentru a ieși din meniu.

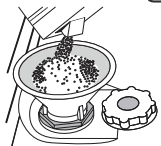
LITERĂ	SETARE	VALORI (Implicit - cu caractere albine)
h	Nivel de duritate a apei (consultați „SETAREA DURITĂȚII APEI” și „TABELUL DURITĂȚII APEI”)	1 2 3 4 5
f	Nivelul agentului de clătire (consultați „REGLAREA DOZEI DE AGENT DE CLĂTIRE”)	0 1 2 3 4 5
c	NaturalDry (consultați „OPȚIUNI ȘI FUNCȚII”) „1” = Pornit, „0” = Oprit	1 0
t	Durată afișată pe pardoseală (consultați „OPȚIUNI ȘI FUNCȚII”) „1” = Pornit, „0” = Oprit	1 0
s	Sunet „1” = Pornit, „0” = Oprit	1 0
i	Setări din fabrică Apăsați pe PORNIRE/PAUZĂ pentru a restabili la setările implicite din fabrică toate valorile setărilor incluse în meniul de setări.	-

UMPLEREA COMPARTIMENTULUI PENTRU SĂRURI

Utilizarea sărurilor previne formarea DEPUNERILOR DE CALCAR pe vase și pe componentele funcționale ale mașinii.

Compartimentul pentru săruri este amplasat în partea inferioară a mașinii de spălat vase (sub raftul inferior din stânga).

- Este obligatoriu ca **compartimentul pentru săruri să nu fie niciodată gol.**
- Este important să setați duritatea apei.
- Trebuie să alimentați cu săruri atunci când indicatorul luminos NIVELUL SĂRURILOR de pe panoul de comandă este aprins.



1. Demontați raftul inferior și desfiletați capacul compartimentului (în sens antiorar).
2. Poziționați pâlnia (consultați figura) și umpleți compartimentul pentru săruri până la margine (aproximativ 0,5 kg); este perfect normal să curgă puțină apă în afară.
3. **Numai la prima operațiune de acest fel: umpleți compartimentul pentru săruri cu apă.**

4. Scoateți pâlnia și ștergeți resturile de săruri de pe deschidere. Asigurați-vă că este înfiletat bine capacul, astfel încât să nu intre detergent în compartiment în timpul programului de spălare (acest lucru poate avaria iremediabil instalația de dedurizare a apei).

Rulați de fiecare dată un program imediat ce finalizați reumplerea compartimentului pentru săruri pentru a evita coroziunea.

Setarea durității apei

Pentru a permite instalației de dedurizare a apei să funcționeze perfect, este esențial ca setarea durității apei să se bazeze pe nivelul de duritate a apei din locuința dumneavoastră. Aceste informații pot fi obținute de la furnizorul local de apă. Setarea din fabrică este „3”. Consultați TABELUL DURITĂȚII APEI. Pentru a modifica, urmați instrucțiunile din secțiunea „MENIUL DE SETĂRI”.

Tabelul durității apei			
Nivel	°dH Grade germane	°fH Grade franceze	°Clark Grade engleze
1 (moale)	0 - 6	0 - 10	0 - 7
2 (medie)	7 - 11	11 - 20	8 - 14
3 (normală)	12 - 16	21 - 29	15 - 20
4 (dură)	17 - 34	30 - 60	21 - 42
5 (foarte dură)	35 - 50	61 - 90	43 - 62

Utilizați numai săruri concepute special pentru mașini de spălat vase.

După ce ați introdus sărurile în mașină, indicatorul luminos de nivel al sărurilor se stinge.

Dacă compartimentul pentru săruri nu este umplut, este posibilă deteriorarea instalației de dedurizare a apei și a rezistenței din cauza acumulării depunerilor.
Se recomandă utilizarea sării indiferent de tipul de detergent pentru mașina de spălat vase.

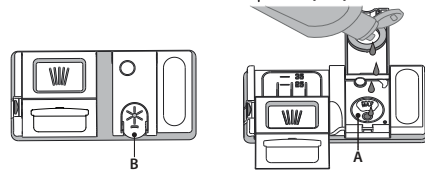
SISTEMUL DE DEDURIZARE A APEI

Sistemul de dedurizare a apei reduce automat duritatea apei, împiedicând astfel acumularea de depuneri pe încălzitor și contribuind, de asemenea, la creșterea eficienței de curățare. **Acest sistem se regenerează singur cu sare, de aceea este necesar să reumpleți recipientul pentru sare când este gol.** Frecvența regenerării depinde de setarea nivelului durității apei - regenerarea are loc odată la 4-6 cicluri Eco cu nivelul durității apei setat la 3. Procesul de regenerare se activează la începutul ciclului, cu o cantitate suplimentară de apă proaspătă.

- Procesul de regenerare implică următorul consum: ~3 L de apă;
- Adaugă până la 5 minute suplimentare pe ciclu;
- Consumul de energie este sub 0,005 kWh.

UMPLEREA DOZATORULUI PENTRU AGENT DE CLĂTIRE

Agentul de clătire facilitează uscarea vaselor. Dozatorul pentru agentul de clătire A trebuie umplut atunci când indicatorul luminos de NIVEL AL AGENTULUI DE CLĂTIRE de pe panoul de comandă este aprins.



1. Deschideți dozatorul B apăsând și trăgând în sus clapeta de pe capac.
2. Introduceți cu grijă agentul de clătire până la marcajul de referință maxim (110 ml) al spațiului de umplere - evitați scurgerile. În caz contrar, curățați imediat folosind o lavetă uscată.
3. Apăsați capacul în jos până când auziți un clic de închidere.

Nu turnați NICIODATĂ agentul de clătire direct în cuvă.

Reglarea dozei de agent de clătire

Dacă nu sunteți pe deplin mulțumit de rezultatele de uscare, puteți regla cantitatea de agent de clătire utilizat.

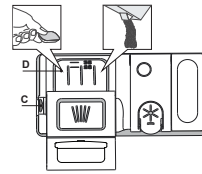
Pentru a modifica, urmați instrucțiunile din secțiunea „MENIUL DE SETĂRI”. Dacă nivelul de agent de clătire este setat la ZERO, nu se va alimenta cu agent de clătire. Indicatorul luminos pentru **NIVEL SCĂZUT DE AGENT DE CLĂTIRE** nu se va aprinde dacă agentul de clătire este consumat.

Pot fi setate maxim 6 niveluri în conformitate cu modelul de mașină de spălat vase.

- Dacă observați urme albăstrui pe vase, setați un număr mic (0-3).
- Dacă există urme de apă sau depuneri de calcar pe vase, setați un număr mare (4-5).

UMPLEREA DOZATORULUI DE DETERGENT

Pentru a deschide dozatorul de detergent, folosiți dispozitivul de deschidere C. Introduceți detergent numai în compartimentul uscat D. Introduceți cantitatea de detergent pentru prespălare direct în cuvă.



1. Atunci când măsurați cantitatea de detergent, consultați informațiile menționate anterior pentru a adăuga cantitatea corespunzătoare. În interiorul dozatorului **D** există indicații care vă pot ajuta la dozarea detergentului.
2. Îndepărtați resturile de detergent de pe marginile dozatorului și închideți sonor capacul. Închideți capacul dozatorului de detergent trăgând în sus până când dispozitivul de închidere este fixat în poziție.

Dozatorul de detergent se deschide automat la momentul potrivit, în conformitate cu programul.

Utilizarea unui detergent care nu este conceput pentru mașinile de spălat vase poate provoca defecțiuni sau deteriorarea mașinii.

UTILIZAREA ZILNICĂ

1. **VERIFICAREA RACORDĂRII LA REȚEAUA DE ALIMENTARE CU APĂ**
Verificați ca mașina de spălat vase să fie racordată la rețeaua de alimentare cu apă și ca robinetul să fie deschis.
2. **PORNIREA MAȘINII DE SPĂLAT VASE**
Deschideți ușa și apăsați pe butonul de **PORNIRE/OPRIRE**.
3. **ÎNCĂRCAREA RAFTURILOR** (consultați **ÎNCĂRCAREA RAFTURILOR**).
4. **UMPLEREA DOZATORULUI DE DETERGENT**
5. **SELECTAREA PROGRAMULUI ȘI PERSONALIZAREA CICLULUI**
Selectați cel mai adecvat program în funcție de tipul de veselă și gradul de murdărie al acesteia (consultați secțiunea **DESCRIEREA PROGRAMELOR**) apăsând butonul **PROGRAMULUI** selectat. Selectați opțiunile dorite (consultați **OPȚIUNI ȘI FUNCȚII**). Nu toate opțiunile sunt compatibile cu fiecare program.
6. **PORNIREA**
Porniți ciclul de spălare apăsând butonul de **PORNIRE/Pauză** (LED-ul este aprins) și închizând ușa în decurs de 4 sec. Când programul începe, este emis un semnal sonor unic. Dacă ușa nu este închisă în decursul a 4 secunde, se aude sunetul de alarmă. În acest caz, deschideți ușa, apăsați butonul **PORNIRE/Pauză** și închideți din nou ușa în 4 sec.
7. **TERMINAREA CICLULUI DE SPĂLARE**
Finalul ciclului de spălare este indicat prin emiteria unui semnal sonor și prin afișarea mesajului **END** (FINALIZAT). Deschideți ușa și opriți aparatul apăsând pe butonul de **PORNIRE/OPRIRE**. Așteptați câteva minute înainte de a scoate vesela pentru a evita producerea arsurilor. Descărcați rafturile, începând cu cel inferior.

MODIFICAREA UNUI PROGRAM CARE RULEAZĂ

Dacă a fost selectat un program greșit, îl puteți schimba, cu condiția ca acesta să fi început de scurt timp. **RESETAREA** mașinii: apăsați și mențineți apăsat butonul de **PORNIRE/OPRIRE** timp de peste 3. sec., aparatul se va opri. **Pe panoul de comandă se va afișa „0:01”**. Închideți ușa și așteptați finalizarea ciclului de evacuare (aproximativ 1 minut). Deschideți ușa și reporniți mașina folosind butonul de **PORNIRE/OPRIRE**, apoi selectați noul ciclu de spălare și opțiunile dorite. Porniți ciclul apăsând butonul de **PORNIRE/Pauză** și închizând ușa în decurs de 4 sec.

ADĂUGAREA DE VASE SUPLIMENTARE

Fără a opri aparatul, deschideți mai întâi puțin ușa pentru a evita împrăștierea cu apă (LED-ul de **PORNIRE/Pauză**) începe să se aprindă intermitent) (**Atenție! Abur fierbinte!**) și introduceți vesela în interiorul mașinii de spălat vase. Apăsați pe butonul **PORNIRE/Pauză** și închideți ușa în 4 sec.; astfel, ciclul va fi reluat din punctul în care a fost întrerupt

ÎNTRERUPERI ACCIDENTALE

Dacă ușa este deschisă în timpul ciclului de spălare sau dacă s-a produs o pană de curent, ciclul se oprește. Ciclul va fi reluat din punctul în care a fost întrerupt **NUMAI DACĂ APĂSAȚI** butonul de **PORNIRE/Pauză** și închideți ușa în decurs de 4 sec.

SFATURI ȘI RECOMANDĂRI

RECOMANDĂRI

Înainte de a încărca rafturile, eliminați toate resturile de alimente de pe vase și goliți paharele. **Nu este necesar să le clătiți în prealabil sub jet de apă curentă.**

Aranjați vesela astfel încât să fie bine poziționată și să nu se răstoarne; de asemenea, aranjați recipientele cu deschiderile în jos și așezați înclinat articolele concave/convexe, pentru a permite apei să ajungă pe orice suprafață și să curgă liber.

Avertisment: capacele, mânerurile, tăvile și tigăile nu trebuie să împiedice rotirea brațelor de pulverizare.

Amplasați articolele mici în coșul pentru tacâmuri. Vasele și cratițele foarte murdare trebuie așezate pe raftul inferior deoarece în această zonă jeturile de apă sunt mai puternice și se înregistrează performanțe mai mari de spălare. După încărcarea aparatului, asigurați-vă că brațele de pulverizare se pot roti liber.

VESELĂ NECORESPUNZĂTOARE PENTRU SPĂLAREA ÎN MAȘINĂ

- Veselă și tacâmuri din lemn.
- Pahare cu decorațiuni delicate, veselă artizanală și veselă antică. Aceste decorațiuni nu sunt rezistente la spălarea în mașina de spălat vase.
- Articole din material sintetic care nu sunt rezistente la temperaturi ridicate.
- Veselă din cupru și cositor.
- Veselă murdară de cenușă, ceară, unsoare sau cerneală.

Culorile decorațiilor din pe articolele din sticlă și ale articolelor din aluminiu/argint se pot modifica și pot albi în timpul procesului de spălare. Unele tipuri de articole din sticlă (de exemplu, obiecte de cristal) pot deveni opace după câteva cicluri de spălare.

DETERIORAREA PAHARELOR ȘI A VESELEI

- Utilizați numai pahare și veselă din porțelan marcate de către producător ca fiind rezistente la spălarea în mașină.
- Utilizați un detergent delicat pentru veselă
- Scoateți paharele și vesela din mașina de spălat vase imediat ce ciclul de spălare este finalizat.

RECOMANDĂRI PRIVIND ECONOMISIREA DE ENERGIE

- Atunci când mașina de spălat vase este folosită conform instrucțiunilor producătorului, **spălarea tacâmurilor într-o mașină de spălat vase consumă de obicei MAI PUȚINĂ ENERGIE și apă decât spălarea manuală.**
- Pentru a crește la maximum eficiența mașinii de spălat vase, se recomandă **inițierea ciclului de spălare după ce mașina este încărcată complet.** Încărcarea mașinii de spălat vase de uz domestic până la capacitatea indicată de producător va contribui la economii de energie și apă. Informații despre încărcarea corectă a vaselor pot fi găsite în capitolul **ÎNCĂRCAREA RAFTURILOR**. În cazul încărcării parțiale, se recomandă utilizarea opțiunilor de spălare dedicate, dacă sunt disponibile (Half load/ Zone Wash/ Multizone), adăugând vase doar pe rafturile selectate. Încărcarea incorectă sau supraîncărcarea mașinii de spălat vase poate crește utilizarea resurselor (cum ar fi apa, energia și timpul, precum și nivelul de zgomot), reducând performanțele de curățare și uscare.
- Pre-clătirea manuală a vaselor duce la creșterea consumului de apă și energie și nu este recomandată.

IGIENĂ

Pentru a evita acumularea mirosurilor neplăcute și a sedimentelor în mașina de spălat vase, **vă rugăm să rulați un program de temperatură ridicată cel puțin o dată pe lună.** Folosiți o măsură de detergent și rulați un program fără a încărca vase pentru a curăța aparatul.

REZISTENȚA LA ÎNGHEȚ

Dacă mașina de spălat vase este amplasată într-un loc expus riscului de îngheț, aceasta **trebuie să fie golită complet.** Închideți robinetul de apă, scoateți furtunurile de alimentare și de evacuare și lăsați întreaga cantitate de apă să se scurgă. Pentru a asigura protecția aparatului la temperaturi de până la -20 °C, **asigurați-vă că compartimentul pentru săruri este plin cu săruri regenerante dizolvate în produsul de dedurizare a apei.** Dacă mașina de spălat vase a fost depozitată în condiții de îngheț, aceasta trebuie menținută la o temperatură ambientală de min. 5 °C timp de cel puțin 24 de ore înainte de prima sa punere în funcțiune.

TABEL CU PROGRAME

Program	Descrierea programelor	Durate de uscare		Opțiuni disponibile *)	Durata programului de spălare (h:min)**)	Consum de apă (litri/ciclu)	Consum de energie (kWh/ciclu)
		Natural	Dry				
Eco	Eco 50° - Programul Eco este potrivit pentru curățarea tacâmurilor cu un grad mediu de murdărie, fiind cel mai eficient program pentru această utilizare din punct de vedere al consumului combinat de energie și apă și este utilizat pentru a evalua respectarea legislației UE de proiectare ecologică.	✓	✓		4:00	9,5	0,65
	Rapid 45° - Programul este recomandat pentru o cantitate limitată de vase, cu un grad redus de murdărie, fără resturi de alimente uscate. Nu include etapa de uscare.	-	✓		0:30 - 0:40	10,0 - 12,0	0,55 - 0,65
	Cristal 45° - Program pentru articole delicate, mai sensibile la temperaturi ridicate, de exemplu pahare și cești.	✓	✓		1:40 - 1:50	12,5 - 16,5	0,95 - 1,20
	Auto Intensiv 65° - Program automat pentru vase și cratițe cu grad ridicat de murdărie.	✓	✓		2:25 - 3:10	15,5 - 24,5	1,30 - 1,70
	Auto Amestec 55° - Program automat pentru vesela cu un grad mediu de murdărie, cu reziduri de alimente uscate.	✓	✓		1:20 - 3:00	7,5 - 19,5	0,75 - 1,20
	Auto Rapid 50° - Program automat pentru vesela cu un grad mediu sau redus de murdărie. Ciclu zilnic care asigură performanțe optime de curățare și uscare într-un timp mai scurt.	✓	✓		1:00 - 1:50	7,5 - 15,5	0,70 - 1,10
	Prespălare - Utilizat pentru a împăpăta vasele care trebuie să fie spălate mai târziu. A nu se utiliza detergent cu acest program.	-	✓		0:12	4,5	0,10
	Autocurățare 65° - Utilizați acest program pentru a efectua întreținerea mașinii de spălat vase; a se realiza numai când mașina de spălat vase este GOALĂ, utilizând detergenți special concepuți pentru întreținerea mașinii de spălat vase	-	-		1:15	11,0	1,10

Datele programului ECO sunt stabilite în condiții de laborator, în conformitate cu standardul european EN 60436:2020.

Notă pentru laboratoarele de testări: pentru informații privind condițiile testului comparativ EN, trimiteți o solicitare la adresa:

dw_test_support@whirlpool.com

Nu este necesară tratarea în prealabil a vaselor înaintea oricăruia dintre aceste programe.

*) Nu toate opțiunile pot fi utilizate simultan.

**) Valorile date pentru alte programe diferite de programul Eco sunt doar orientative. Durata actuală poate varia în funcție de o multitudine de factori, cum ar fi temperatura și presiunea apei la intrare, temperatura încăperii, cantitatea de detergent, dimensiunea și tipul încărcăturii, distribuția încărcăturii, opțiunile suplimentare selectate și calibrarea senzorului. Calibrarea senzorului poate mări durata programului cu până la 20 min.

OPȚIUNI ȘI FUNCȚII

OPȚIUNILE pot fi selectate/deselectate, după selectarea programului, apăsând direct pe butonul corespunzător (dacă există - indicatorul se aprinde) (consultați PANOUL DE COMANDĂ). Dacă o opțiune nu este compatibilă cu programul selectat, (consultați TABEL CU PROGRAME), LED-ul aferent clipește rapid de 3 ori și sunt emise semnale sonore. Opțiunea nu va fi activată. O opțiune poate modifica durata sau consumul de apă sau energie pentru programul respectiv.

POWER CLEAN® - Datorită jeturilor cu putere suplimentară, această opțiune oferă o spălare mai intensivă și mai puternică în coșul inferior, într-o anumită zonă. Această opțiune este recomandată pentru spălarea oalelor și a cratițelor (consultați secțiunea privind încărcarea Power Clean®).

1/2 ÎNCĂRCARE PE JUMĂTATE - Dacă nu aveți multe vase de spălat, funcția ÎNCĂRCARE PE JUMĂTATE este utilizată pentru a se economisi apă, energie electrică sau timp, în funcție de programul selectat.
Nu uitați să reduceți cantitatea de detergent.

+++ USCARE EXTRA - Temperatura mai înaltă în timpul clătirii finale și etapa de uscare extinsă permit uscarea îmbunătățită. Utilizarea opțiunii USCARE EXTRA determină prelungirea ciclului de spălare.

SILENȚIOS - Adecvat pentru funcționarea aparatului pe timpul nopții. Această opțiune poate fi utilizată pentru limitarea emisiilor de zgomot din timpul etapelor de spălare. Aceasta va prelungi durata ciclului, în funcție de ciclul de bază selectat.

CLĂTIRE IGIENIZANTĂ - Această opțiune poate fi utilizată pentru a igieniza vasele spălate. Va crește temperatura în cadrul clătirii finale și va adăuga un ciclu de spălare cu acțiune antibacteriană la programul selectat. Ideal pentru a curăța vesela și biberonele. Ușa mașinii de spălat vase trebuie să fie ținută închisă pe întreaga durată a programului, pentru a se garanta reducerea numărului de microbi.

AVERTISMENT: vasele și tăvile pot fi foarte fierbinți la terminarea ciclului.

ÎNTĂRZIERE - Pornirea programului poate fi amânată pentru o perioadă de timp cuprinsă între 30 de minute și 24 de ore.

1. Selectați programul și opțiunile dorite. Apăsăți pe butonul ÎNTĂRZIERE (în mod repetat) pentru a amâna pornirea programului. Se poate regla de la 0:30 la 24 de ore. Odată atinsă setarea de 24 de ore, apăsați încă o dată pe ÎNTĂRZIERE pentru a dezactiva funcția ÎNTĂRZIERE.
2. Închideți ușa și apăsați butonul PORNIRE/PAUZĂ. Temporizatorul va începe număratoarea inversă.
3. După finalizarea perioadei de timp setate, indicatorul luminos se stinge, iar programul pornește automat.

Funcția ÎNTĂRZIERE nu poate fi setată după pornirea programului.

DURATĂ AFIȘATĂ PE PARDOSEALĂ - O lumină cu LED proiectată pe pardoseală indică durata de timp rămasă până la finalul ciclului. Lumina se stinge de fiecare dată când este deschisă ușa. La încheierea ciclului, lumina se stinge. Această caracteristică este activă în mod implicit, însă poate fi dezactivată din „MENIUL SETĂRI”.

DECALCIFIERE - Alarmă - S-a detectat acumulare de calcar pe componentele interne ale aparatului. Verificați **Setarea durității apei** prezintă valoarea corectă și dacă sărurile sunt prezente în recipientul pentru săruri (consultați PRIMA UTILIZARE), apoi utilizați un produs de decalcifiere (se recomandă marca WPro) împreună cu programul Autocurățare. După o decalcifiere reușită, pictograma va dispărea de pe afișaj. Dacă acțiunile de mai sus nu sunt efectuate, performanța produsului va fi redusă. Avertismentul DECALCIFIERE va începe să clipească și alarma «dES» va apărea pe afișaj. Dacă nu este efectuată nicio acțiune, aparatul va permite doar pornirea unui anumit număr de cicluri (indicat în timpul afișării alarmei «dES», apoi se va BLOCA pentru a preveni deteriorarea componentelor, doar programul Autocurățare fiind disponibil. Efectuarea unei decalcifieri complete va debloca produsul. În cazul unei cantități extrem de ridicate de calcar, este posibil să trebuiască să efectuați decalcifierea de două ori pentru ca aceasta să fie eficientă.

NaturalDry - Este un sistem de uscare prin convecție, care deschide automat ușa în timpul desfășurării/după desfășurarea etapei de uscare pentru a asigura performanțe excepționale de uscare în fiecare zi. Ușa se deschide la o temperatură care este sigură pentru mobilierul din bucătăria dumneavoastră, astfel ușa nu va fi deschisă atunci când este activă opțiunea CLĂTIRE IGIENIZANTĂ.

Ca protecție suplimentată împotriva acțiunii aburilor, se poate adăuga și o folie de protecție specială pe mașina de spălat vase. Pentru a afla cum trebuie montată folia de protecție, vă rugăm să consultați GHIDUL DE INSTALARE. Această funcție este activă în mod implicit, dar poate fi dezactivată în „MENIUL DE SETĂRI”.

DETECTARE - Atunci când senzorul detectează gradul de murdărie, pe afișaj apare o animație (de aproximativ 20 min.), iar durata ciclului este actualizată. Opțiunea Detectare evaluează gradul de murdărie a vaselor și este disponibilă la toate ciclurile (cu excepția ciclului Eco), reglând în mod corespunzător programul.

ROBINET DE APĂ ÎNCHIS - Alarma - Clipește când alimentarea cu apă nu funcționează sau robinetul de apă este închis.

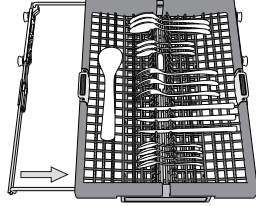
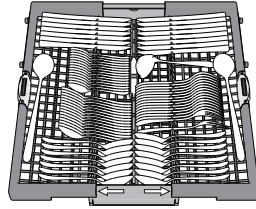
COȘUL PENTRU TACĂMURI

Al treilea nivel a fost conceput pentru depozitarea tacâmurilor.

Aranjați tacâmurile conform indicațiilor din figură. Aranjarea separată a tacâmurilor permite scoaterea cu ușurință a acestora după spălare și optimizează performanțele de spălare și uscare.

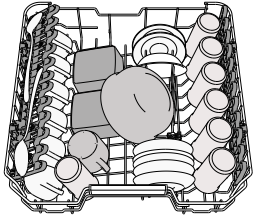
Cuțitele și alte ustensile cu margini ascuțite trebuie poziționate cu lamele în jos.

Coșul pentru tacâmuri este dotat cu două tăvi laterale culisante pentru a profita din plin de înălțimea spațiului de dedesubt, permițând astfel încărcarea articolelor înalte pe raftul superior.

**COȘUL SUPERIOR**

Încărcați vasele delicate și ușoare: pahare, cești, farfurioare, boluri pentru salată puțin adânci. Raftul superior este prevăzut cu suporturi rabatabile care pot fi utilizate în poziție verticală pentru aranjarea farfurioarelor pentru cești de ceai/pentru desert, sau în poziție mai joasă pentru a introduce castroane și caserole.

(exemplu de încărcare pentru raftul superior)

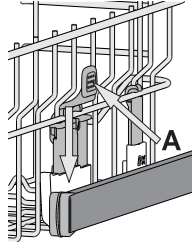
**Reglarea înălțimii raftului superior**

Înălțimea raftului superior poate fi reglată: în poziție înaltă pentru a introduce vesela voluminoasă pe raftul inferior și în poziție joasă pentru a profita din plin de suporturile rabatabile, creând mai mult spațiu în partea superioară și evitând ciocnirea cu articolele de pe raftul inferior.

Raftul superior este prevăzut cu un **mecanism de reglare a înălțimii raftului superior** (consultați figura); fără a apăsa pe manete, ridicați în sus ținând pur și simplu de părțile laterale ale raftului, și fixați imediat ce raftul este stabil în poziția de sus.

Pentru a reveni în poziția inferioară, apăsați pe manetele **A** din părțile laterale ale raftului și deplasați-l în jos.

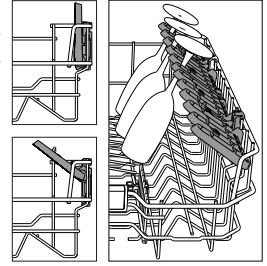
Vă recomandăm cu insistență să nu reglați înălțimea raftului atunci când acesta este încărcat. Nu ridicați și nu coborâți NICIODATĂ raftul numai pe o singură parte.

**Clapete rabatabile cu poziție reglabilă**

Clapetele rabatabile laterale pot fi pliate sau depilate pentru a optimiza aranjarea veselei pe raft. Paharele pentru vin pot fi așezate în siguranță pe clapetele rabatabile, introducând picioarele acestora în fantele corespunzătoare.

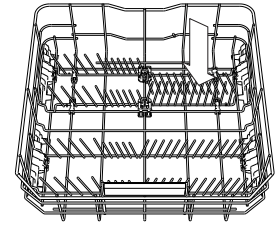
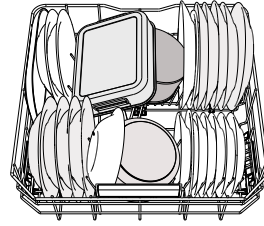
În funcție de model:

- pentru a depila clapetele, este necesar să le glisați în sus și să le rotiți sau să le eliberați din clemele de fixare, trăgându-le în jos.
- pentru a plia clapetele, este necesar să le rotiți și să le glisați în jos sau să le trageți în sus și să le fixați pe poziție.

**COȘUL INFERIOR**

Pentru oale, capace, farfurii, boluri pentru salată, tacâmuri etc. În mod ideal, farfuriile și capacele mari trebuie amplasate în părțile laterale, pentru a se evita interferențele cu brațul de pulverizare.

Raftul inferior este prevăzut cu suporturi rabatabile care pot fi utilizate în poziție verticală pentru aranjarea farfuriilor sau în poziție orizontală (joasă) pentru încărcarea cu ușurință a cratițelor și bolurilor pentru salată.



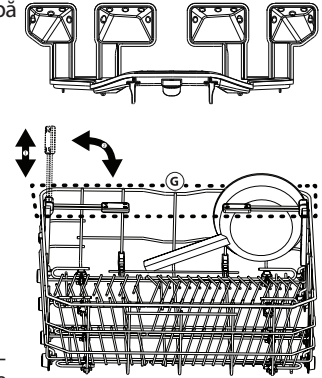
(exemplu de încărcare pentru raftul inferior)

POWER CLEAN®

Power Clean® folosește jeturile speciale de apă din partea posterioară a cavității pentru a spăla intensiv articolele foarte murdare. Raftul inferior este prevăzut cu o **zonă de economisire a spațiului**, un suport special care se trage din partea din spate a raftului și care poate fi utilizat pentru a susține tigăile sau tăvile de copt în poziție verticală, astfel ocupându-se mai puțin spațiu. Poziționând oalele/cratițele cu fața spre componenta Power Clean®, vă rugăm să activați **POWER CLEAN** pe panou

Utilizarea Power Clean®:

1. Reglați zona Power Clean® (G) rabatănd în jos suporturile din spate pentru farfurii, pentru a încărca oalele.
2. Încărcați oalele și cratițele înclinate pe verticală în zona Power Clean®. Oalele trebuie să fie înclinate spre jeturile intensive de apă.

**CURĂȚAREA ȘI ÎNTREȚINEREA****CURĂȚAREA ANSAMBLULUI DE FILTRE**

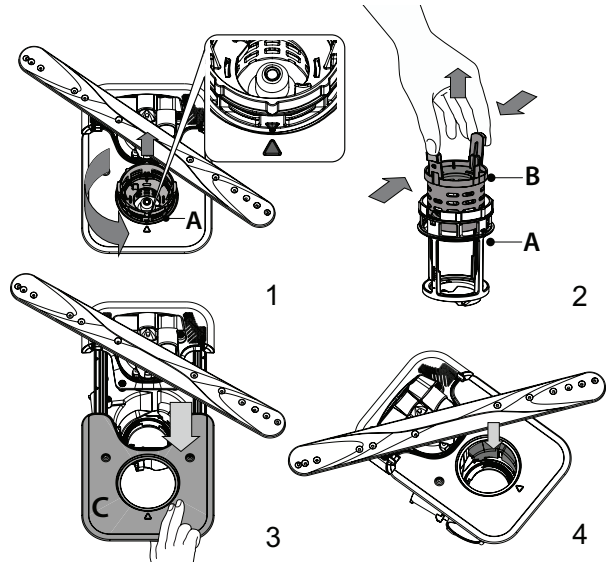
Curățați în mod regulat ansamblul de filtre astfel încât filtrele să nu se înfunde și apa reziduală să fie evacuată în mod corespunzător. Utilizarea mașinii de spălat vase cu filtre înfundate sau obiecte străine în interiorul sistemului de filtrare sau al brațelor de pulverizare poate provoca defecțiuni ale unității, conducând la scăderea performanței, creșterea nivelului de zgomot sau utilizarea mai multor resurse. Ansamblul de filtre este alcătuit din trei filtre care îndepărtează resturile de alimente din apa de spălare, permițând apoi recircularea acesteia.

Mașina de spălat vase nu trebuie utilizată fără filtre sau dacă un filtru este desprins.

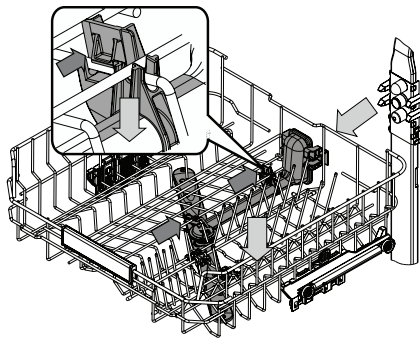
Cel puțin o dată pe lună sau după fiecare 30 de cicluri, verificați ansamblul de filtre și, dacă este necesar, curățați-l temeinic sub jet de apă curentă, folosind o perie nemetalică și respectând instrucțiunile de mai jos:

1. Rotiți filtrul cilindric **A** în sens antiorar și scoateți-l afară (Fig 1). **La reinstalarea filtrului este important ca cele două triunghiuri indicate pe imaginea mărită să se întâlnească.**
2. Demontați filtrul în formă de ceașcă **B** apăsând ușor pe clapetele laterale (Fig 2).
3. Culisați în afară placa din oțel inoxidabil a filtrului **C** (Fig 3).
4. În cazul în care găsiți obiecte străine (cum ar fi sticlă spartă, porțelan, oase, semințe de fructe etc.), **vă rugăm să le îndepărtați cu atenție.**
5. Examinați obturațiile și îndepărtați resturile de alimente. **NU DEMONTAȚI NICIODATĂ** protecția pompei acționate în timpul ciclului de spălare (indicate de o săgeată) (Fig 4).

După curățarea filtrelor, montați la loc ansamblul de filtre și fixați-l în poziția corectă; acest lucru este esențial pentru menținerea funcționării eficiente a mașinii de spălat vase.

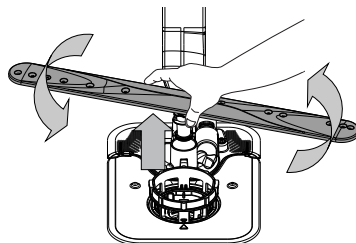


CURĂȚAREA BRAȚELOR DE PULVERIZARE

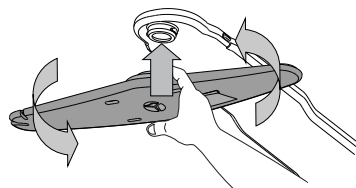


Ocazional, resturile de alimente se pot usca pe brațele de pulverizare și pot bloca orificiile de pulverizare a apei. Prin urmare, se recomandă să verificați brațele din când în când și să le curățați folosind o perie nemețalică mică.

Pentru a scoate brațul de pulverizare superior, trebuie să-l demontați împreună cu colectorul.



Brațul de pulverizare inferior poate fi demontat prin tragere în sus și rotire în sens antiorar. Remontarea brațului de pulverizare se realizează prin tragere în jos și rotire în sens orar.



Brațul de pulverizare superior poate fi demontat prin împingere în sus și apoi rotindu-l în sens antiorar. Remontarea brațului de pulverizare se realizează prin tragere în sus și rotire în sens orar.

REMEDIEREA PROBLEMELOR

În cazul în care mașina de spălat vase nu funcționează corect, verificați dacă problema poate fi remediată parcurgând lista de mai jos. Pentru alte erori sau probleme, vă rugăm să contactați serviciul de asistență tehnică post-vânzare autorizat, ale cărui date de contact pot fi găsite în certificatul de garanție. Piesele de schimb vor fi disponibile pentru o perioadă de până la 7 sau până la 10 ani, în conformitate cu cerințele normelor specifice.

PROBLEME	CAUZE POSIBILE	SOLUȚII
Indicatorul nivelului de săruri este aprins	Compartimentul pentru săruri este aproape gol.	Reumpleți cu săruri compartimentul (pentru mai multe informații, consultați <i>UMPLEREA COMPARTIMENTULUI PENTRU SĂRURI</i>). Dacă este necesar, verificați gradul de duritate a apei - consultați tabelul de la <i>TABELUL DURITĂȚII APEI</i> .
Indicatorul nivelului de săruri se aprinde intermitent	Compartimentul pentru săruri este gol.	Reumpleți cu săruri compartimentul cât mai curând posibil. Utilizarea fără săruri a aparatului poate duce la deteriorarea componentelor interne ale acestuia.
Indicatorul nivelului de agent de clătire se aprinde intermitent	Dozatorul de agent de clătire este gol. (După reumplere, indicatorul nivelului de agent de clătire poate rămâne aprins pentru scurt timp).	Reumpleți cu agent de clătire dozatorul (pentru mai multe informații, consultați <i>UMPLEREA DOZATORULUI PENTRU AGENT DE CLĂTIRE</i>).
Indicatorul de decalcifiere este aprins continuu sau se aprinde intermitent; este afișată alarma „dES”	Pe componentele interne ale aparatului se formează depuneri de calcar.	Decalcificați imediat aparatul utilizând programul Autocurățare și un produs de decalcifiere din comerț (consultați <i>OPȚIUNI ȘI FUNCȚII</i>). Reumpleți cu săruri compartimentul. Verificați gradul de duritate de apei. Dacă aparatul nu este decalcificat, acesta nu va mai funcționa.
Mașina de spălat vase nu pornește sau nu răspunde la comenzi.	Aparatul nu a fost conectat la priză în mod corespunzător.	Introduceți ștecherul în priză.
	Pană de curent.	Din motive de siguranță, mașina de spălat vase nu va reporni automat la restabilirea alimentării cu energie. Deschideți ușa mașinii de spălat vase, apăsați butonul PORNIRE/Pauză și închideți ușa în 4 secunde.
	Ușa mașinii de spălat vase nu este închisă. Știftul NaturalDry nu este tras.	Împingeți ferm ușa până când auziți un „clic”.
	Un ciclu aflat în desfășurare este întrerupt dacă ușa este deschisă pentru mai mult de 4 secunde.	Apăsați butonul de PORNIRE/Pauză și închideți ușa în decurs de 4 secunde.
Mașina de spălat vase nu evacuează apa. Pe afișaj apare: F7 E3 sau F9 E1	Panoul de comandă nu reacționează sau se afișează F6 E1 .	Opriti aparatul apăsând pe butonul de PORNIRE/OPRIRE/Resetare, reporniți-l după aproximativ un minut și reporniți programul. Dacă problema persistă, deconectați aparatul timp de 1 minut, iar apoi conectați-l din nou.
	Filtrul este înfundat cu resturi de alimente sau depuneri de calcar.	Curățați filtrul și decalcificați aparatul (consultați secțiunea <i>CURĂȚAREA ANSAMBLULUI DE FILTRE ȘI INSTRUCȚIUNI PRIVIND DECALCIFIEREA</i>).
	Furtunul de evacuare este îndoit.	Verificați furtunul de evacuare (consultați secțiunea <i>INSTRUCȚIUNI DE INSTALARE</i>).
Mașina de spălat vase produce un zgomot excesiv.	Conducta de evacuare a chiuvetei este blocată.	Curățați conducta de evacuare a chiuvetei.
	Vesele se lovesc unele de celelalte.	Aranjați corect vesela (consultați secțiunea <i>ÎNCĂRCAREA RAFTURILOR</i>).
	Există o cantitate excesivă de spumă.	Cantitatea de detergent nu a fost măsurată corect sau detergentul nu este adecvat pentru utilizarea în mașini de spălat vase (consultați secțiunea <i>UMPLEREA DOZATORULUI DE DETERGENT</i>). Reporniți ciclul curent prin oprirea mașinii de spălat vase, apoi reporniți-o, selectați un program nou, apăsați butonul PORNIRE/Pauză și închideți ușa în decurs de 4 secunde. Vă rugăm să nu mai adăugați detergent.
	Vesela nu a fost aranjată corespunzător.	Aranjați corect vesela (consultați secțiunea <i>ÎNCĂRCAREA RAFTURILOR</i>).
Vasele nu sunt curate.	Filtrul este înfundat cu resturi de alimente sau depuneri de calcar.	Curățați ansamblul de filtre (consultați secțiunea <i>CURĂȚAREA ȘI ÎNTREȚINEREA</i>).
	Vesela nu a fost aranjată corespunzător.	Aranjați corect vesela (consultați secțiunea <i>ÎNCĂRCAREA RAFTURILOR</i>).
	Brațele de pulverizare nu se pot roti liber deoarece sunt obstrucționate de vase.	Aranjați corect vesela (consultați secțiunea <i>ÎNCĂRCAREA RAFTURILOR</i>). Asigurați-vă că raftul superior este în poziție corectă și reglați-l (ridicați-l) dacă este necesar.
	Ciclul de spălare este prea lejer.	Selectați un ciclu de spălare corespunzător (consultați <i>TABEL CU PROGRAME</i>).
	Există o cantitate excesivă de spumă.	Cantitatea de detergent nu a fost măsurată corect sau detergentul nu este adecvat pentru utilizarea în mașini de spălat vase (consultați secțiunea <i>UMPLEREA DOZATORULUI DE DETERGENT</i>).
	Capacul compartimentului pentru agent de clătire nu a fost închis corect.	Asigurați-vă că este închis capacul dozatorului pentru agent de clătire.
	Filtrul este înfundat cu resturi de alimente sau depuneri de calcar.	Curățați filtrul și decalcificați aparatul (consultați secțiunea <i>CURĂȚAREA ANSAMBLULUI DE FILTRE</i>).
Compartimentul pentru săruri este gol.	Umpleți compartimentul pentru săruri (consultați <i>UMPLEREA COMPARTIMENTULUI PENTRU SĂRURI</i>).	

PROBLEME	CAUZE POSIBILE	SOLUȚII
Mașina de spălat vase nu încarcă apă. Pe afișaj apare: H2O și \times sunt aprinse; se activează o alarmă sonoră.	Nu există apă în rețeaua de alimentare sau robinetul este închis.	Asigurați-vă că există apă în rețeaua de alimentare și că robinetul de apă este deschis.
	Furtunul de alimentare cu apă este îndoit.	Verificați furtunul de alimentare (<i>consultați secțiunea INSTALAREA</i>). Deschideți ușa mașinii de spălat vase, apăsați butonul PORNIRE/Pauză și închideți ușa în 4 secunde.
	Sita furtunului de alimentare cu apă este înfundată; aceasta necesită curățare.	Verificați și curățați sita din furtunul de alimentare cu apă. Deschideți ușa mașinii de spălat vase, apăsați butonul PORNIRE/Pauză și închideți ușa în 4 secunde.
Mașina de spălat vase încheie prematur ciclul. Pe afișaj apare: F8 E3	Filtrul este înfundat cu resturi de alimente sau depuneri de calcar.	Curățați filtrul și decalcificați aparatul (<i>consultați secțiunea CURĂȚAREA ANSAMBLULUI DE FILTRE și INSTRUCȚIUNI PRIVIND DECALCIFIEREA</i>).
	Furtunul de evacuare este poziționat prea jos sau evacuează apa în sistemul de canalizare local.	Verificați dacă furtunul de evacuare este poziționat la înălțimea corectă (<i>consultați secțiunea INSTALAREA</i>). Verificați dacă evacuarea se realizează în sistemul de canalizare local și instalați un întrerupător de sifon/o supapă de admisie a aerului dacă este necesar.
	Există o cantitate excesivă de spumă.	Cantitatea de detergent nu a fost măsurată corect sau detergentul nu este adecvat pentru utilizarea în mașini de spălat vase (<i>consultați secțiunea UMLEREA DOZATORULUI DE DETERGENT</i>).
	Există aer în rețeaua de alimentare cu apă.	Verificați alimentarea cu apă pentru a vă asigura că nu există scurgeri sau alte probleme care lasă aerul să pătrundă în interior.
Vasele nu sunt uscate bine.	Nu există agent de clătire sau dozarea este insuficientă.	Asigurați-vă că dozatorul pentru agentul de clătire este umplut (<i>consultați secțiunea UMLEREA DOZATORULUI PENTRU AGENT DE CLĂTIRE</i>). Utilizarea exclusivă a tabletelor multifuncționale nu va asigura efecte de uscare corespunzătoare ca în cazul utilizării unui agent de clătire lichid.
	Vasele au fost scoase din aparat după deschiderea automată a ușii, însă înainte de finalizarea ciclului propriu-zis.	Înainte de a începe să scoateți vasele, asigurați-vă că ciclul s-a încheiat (<i>consultați secțiunea UTILIZAREA ZILNICĂ</i>). Pentru rezultate de uscare și mai bune, este recomandat să mai lăsați vasele în interiorul mașinii de spălat vase, cu ușa acesteia deschisă, timp de încă 15 minute după finalizarea ciclului.
	Vasele sunt așezate într-o poziție prea orizontală.	Dacă observați acumulări de apă în interiorul ceștilor, cănilor sau castroanelor, încercați să încălcați vasele (în special pe raftul superior) într-o poziție mai înclinată pentru a permite scurgerea cantităților mari de apă înainte de începerea procesului de uscare.
	Ciclul selectat nu are o etapă de uscare.	Verificați în <i>TABEL CU PROGRAME</i> dacă programul selectat include o etapă de uscare. Este posibil ca un ciclu care nu include o etapă de uscare să nu asigure eficiența de uscare dorită, motiv pentru care este recomandat să schimbați ciclul selectat cu unul care are inclusă o etapă de uscare.
	Vasele sunt fabricate din material antiaderent sau din plastic.	Rămânerea câtorva picături de apă pe acest tip de material reprezintă un fenomen normal.
Vasele și paharele au dăre albastre sau nuanțe albastrii.	Doza de agent de clătire este prea mare.	Reglați dozarea la o treaptă mai mică.
Vasele și paharele sunt acoperite cu depuneri de calcar sau cu o peliculă albă.	Compartimentul pentru săruri este gol.	Reumpleți cu săruri compartimentul cât mai curând posibil. Utilizarea fără săruri a aparatului poate duce la deteriorarea componentelor interne ale acestuia.
	Treapta de reglare a gradului de duritate a apei este prea scăzută.	Creșteți treapta de reglare (<i>consultați TABELUL DURITĂȚII APEI</i>).
	Capacul compartimentului pentru săruri nu este închis corespunzător.	Verificați capacul compartimentului pentru săruri și închideți-l.
	Compartimentul pentru agent de clătire este gol sau dozarea agentului de clătire este insuficientă.	Reumpleți cu agent de clătire dozatorul și verificați setarea dozării (pentru mai multe informații, <i>consultați UMLEREA DOZATORULUI PENTRU AGENT DE CLĂTIRE</i>).
Mașina de spălat vase afișează mesajul F8 E5	Supapa este înfundată sau defectă.	Închideți robinetul de apă dacă este posibil. Nu deconectați aparatul de la rețeaua de alimentare cu energie electrică. Contactați departamentul de service.

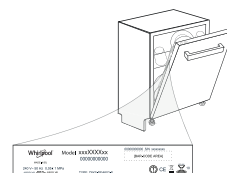


Puteți găsi politicile, documentația standard, informațiile despre comandarea pieselor de schimb și informațiile suplimentare despre produs:

- Utilizând codul QR și vizitând site-ul nostru web: docs.whirlpool.eu
- Vizitând site-ul nostru web: parts-selfservice.whirlpool.com
- Ca alternativă, **contactați serviciul nostru de asistență tehnică post-vânzare** (consultați numărul de telefon din certificatul de garanție). Când contactați serviciul nostru de asistență tehnică post-vânzare, vă rugăm să precizați codurile specificate pe plăcuța cu date de identificare a produsului dumneavoastră.

Informațiile modelului pot fi accesate folosind codul QR indicat pe eticheta energetică.

Eticheta include, de asemenea, identificatorul de model care poate fi utilizat pentru a consulta portalul de înregistrare la <https://eprel.ec.europa.eu>.





ĎAKUJEME, ŽE STE SI KÚPILI VÝROBK WHIRLPOOL.
Ak chcete získať komplexnejšiu pomoc a podporu, zaregistrujte, prosím, svoj spotrebič na: www.whirlpool.eu/register

Pred použitím spotrebiča si starostlivo prečítajte bezpečnostné pokyny a návod na inštaláciu. Viac informácií o výrobku nájdete na webovej stránke: docs.whirlpool.eu



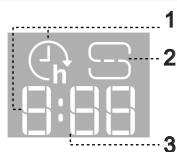
Po inštalácii nezabudnite odstrániť z umývačky všetky súčiastky na ochranu pri preprave.

OVLÁDACÍ PANEL



1. Tlačidlo ZAP./VYP./Reštart s kontrolkou
2. Tlačidlo Eko program s kontrolkou
3. Tlačidlo programu Rýchly s kontrolkou/ program Predumývanie - stlačiť na 3 sekundy
4. Tlačidlo programu Krištáľové s kontrolkou/program Autočistenie - stlačiť na 3 sekundy
5. Tlačidlá Automatických programov s kontrolkami - Auto Intenzívny 65°/ Auto Zmiešaný 55°/ Auto Rýchly 50°
6. Kontrolka prázdny zásobník soli
7. Kontrolka prázdny zásobník leštidla
8. Displej
9. Ukazovateľ čísla programu a zostávajúceho času
10. Kontrolka Zatvorený vodovodný ventil
11. Kontrolka ODVÁPNIŤ
12. Tlačidlá Extra možnosti s kontrolkami - Polovičná náplň/ Tichý/ Hygienické oplachovanie
13. Tlačidlo možnosti Power Clean® s kontrolkou
14. Tlačidlo Extra Sušenie s kontrolkou/ Nastavenia - stlačiť na 3 sekundy
15. Tlačidlo Odklad s kontrolkou
16. Tlačidlo ŠTART/Pauza s kontrolkou

ZOBRAZENIE NA DLÁŽKE



1. Čas odkladu na dlážke - ukazovateľ času, ktorý zostáva do začiatku cyklu, keď je nastavená funkcia odkladu
2. Zásobník soli je prázdny - kontrolka na podlahe
3. Zostávajúci čas na dlážke - ukazovateľ času, ktorý zostáva do konca cyklu

PRVÉ POUŽITIE

PONUKA NASTAVENÍ

1. Zapnite spotrebič stlačením tlačidla ZAP./VYP. ⏻.
2. Na 3 sekundy podržte tlačidlo Nastavenia ⚙️ (Extra Sušenie {{{+}), až kým sa neozve pípnutie a na displeji sa zobrazí „SET“.
3. Po jednej sekunde sa zobrazí prvé dostupné nastavenie (písmeno „h“).
4. Stlačením Automatických programov ⏸️/Extra možnosti ⚙️ prechádzate zoznamom dostupných nastavení (pozri tabuľku ďalej), potom stlačte ŠTART/Pauza ▶️ pre zobrazenie a zmenu hodnoty aktuálne zvoleného nastavenia.
5. Stlačením Automatických programov ⏸️/Extra možnosti ⚙️ zmeníte hodnotu, potom stlačte ŠTART/Pauza ▶️ pre uloženie novej hodnoty.
6. Pre zmenu ďalšieho nastavenia zopakujte body 2 a 5.
7. Stlačte ZAP./VYP. ⏻ alebo počkajte 30 sekúnd, ak chcete ponuku zatvoriť.

PÍSMENO	NASTAVENIE	HODNOTY (Standardné - tučným písmom)
h	Úroveň tvrdosti vody (pozri NASTAVENIE TVRDOSTI VODY a TABUĽKA TVRDOSTI VODY)	1 2 3 4 5
l	Úroveň leštidla (pozri NASTAVENIE DÁVKOVANIA LEŠTIDLA)	0 1 2 3 4 5
o	NaturalDry (pozri MOŽNOSTI A FUNKCIE) „1“ = Zap., „0“ = Vyp.	1 0
t	Čas na Podlahe (pozri MOŽNOSTI A FUNKCIE) „1“ = Zap., „0“ = Vyp.	1 0
z	Zvuk „1“ = Zap., „0“ = Vyp.	1 0
r	Nastavenie z výroby Stlačením tlačidla ŠTART/Pauza obnovíte nastavenie z výroby všetkých hodnôt nastavení zahrnutých v ponuke nastavení	-

PLNENIE ZÁSOBNÍKA SOLI

Používanie soli zabraňuje tvorbe vodného kameňa na riadoch a funkčných komponentoch umývačky. Zásobník soli sa nachádza v spodnej časti umývačky (pod spodným košom na ľavej strane).

- Je nevyhnutné, aby ZÁSOBNÍK SOLI NEBOL NIKDY PRÁZDNY.
 - Je dôležité nastaviť tvrdosť vody.
 - Soľ treba doplniť, keď na ovládacom paneli svieti kontrolka DOPLNIŤ SOL ⚙️.
1. Vyberte spodný koš a odskrutkujte uzáver zásobníka (proti smeru hodinových ručičiek).
 2. Nasadte násypku (pozri obrázok) a naplňte zásobník až po okraj (približne 0,5 kg); je bežné, že trochu vody vytečie.
 3. Vykonáva sa len prvýkrát: zásobník soli naplňte vodou.
 4. Násypku a zvyšky soli na otvore utrite.

Dbajte, aby bol uzáver pevne zatiahnutý, aby sa počas umývacieho programu nedostal do zásobníka umývacieho prostriedku (mohlo by to nenapraviteľne poškodiť zmäččovač vody).
Spustíte program zakazým hneď po doplnení zásobníka soli, aby ste sa vyhli korózii.

Nastavenie tvrdosti vody

Aby mohol zmäččovač dokonale pracovať, je dôležité, aby bola tvrdosť vody nastavená podľa skutočnej tvrdosti vody vo vašej domácnosti. Túto informáciu môžete získať od miestneho dodávateľa vody. Z výroby je nastavená priemerná tvrdosť vody „3“. Pozri „TABUĽKA TVRDOSTI VODY“.

Ak ho chcete zmeniť, postupujte podľa pokynov v časti "PONUKA NASTAVENÍ".

Tabuľka tvrdosti vody

Úroveň	°dH Nemecké stupne	°fH Francúzske stupne	°Clark Anglické stupne
1 (mäkká)	0 - 6	0 - 10	0 - 7
2 (stredná)	7 - 11	11 - 20	8 - 14
3 (priemerná)	12 - 16	21 - 29	15 - 20
4 (tvrdá)	17 - 34	30 - 60	21 - 42
5 (veľmi tvrdá)	35 - 50	61 - 90	43 - 62

Používajte iba soľ určenú špeciálne do umývačiek.

Keď do umývačky nasypete soľ, kontrolka DOPLNIŤ SOL zhasne. Ak zásobník soli nenaplníte, zmäččovač vody a ohrievacie teleso sa môžu poškodiť v dôsledku hromadenia vodného kameňa. Použitie soli sa odporúča s akýmkoľvek typom umývacieho prostriedku do umývačky riadu.

SYSTEM NA ZMÄČČOVANIE VODY

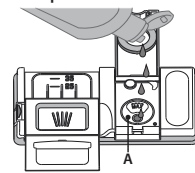
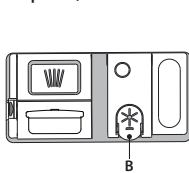
Zmäččovač vody automaticky znižuje tvrdosť vody, čím zároveň zabraňuje tvorbe vodného kameňa v ohrievaci a prispieva k vyššej efektívnosti umývania. Tento systém sa automaticky regeneruje pomocou soli, a preto je nutné pravidelne doplniť zásobník soli, keď bude prázdny.

Intervaly vykonávania regenerácie závisia od nastavenia tvrdosti vody – regenerácia sa vykonáva raz za 4-6 Eco cyklov, ak je tvrdosť vody nastavená na 3. Proces regenerácie prebieha na začiatku cyklu s pridaním čerstvej vody.

- Pri regenerácii sa spotrebuje: približne 3 litre vody;
- Pridá k cyklu dodatočných 5 minút;
- Spotrebuje sa pri nej 0,005 kWh energie.

PLNENIE DÁVKOVAČA LEŠTIDLA

Leštadlo uľahčuje SUŠENIE riadu. Dávkovač leštiaceho prostriedku A treba naplniť, keď na ovládacom paneli svieti kontrolka DOPLNIŤ LEŠTIDLO ⚙️.



1. Otvorte dávkovač B stlačením a zdvihnutím držiaka na veku.
2. Opatrne nalejte leštadlo až po značku maximum (110 ml) v plniacom priestore – dbajte, aby ste ho nerozliali. Ak sa to stane, leštadlo ihneď utrite suchou handričkou.
3. Zatlačte veko, až počujete cvaknutie.
NIKDY nelejte leštadlo priamo do vaničky umývačky.

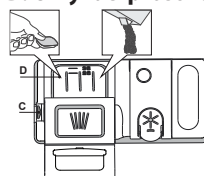
Nastavenie dávkovania leštidla

Ak nie ste celkom spokojní s výsledkom sušenia, môžete nastaviť množstvo použitého leštidla.

- Ak ho chcete zmeniť, postupujte podľa pokynov v časti "PONUKA NASTAVENÍ". Ak je úroveň leštidla nastavená na NULA, nepridáva sa nijaké množstvo leštidla. Kontrolka **MÁLO LEŠTIDLA** sa nerozsvieti, ani keď sa leštadlo minie.
- V závislosti od modelu umývačky možno nastaviť maximálne 6 úrovní.
- Ak vidíte na riade modrasté pásiky, nastavte nízku hodnotu (0-3).
- Ak sú na riade kvapky vody alebo stopy po vodnom kameni, nastavte vysokú hodnotu (4-5).

PLNENIE DÁVKOVAČA UMÝVACIEHO PROSTRIEDKU

Dávkovač umývacieho prostriedku otvorte pomocou otváracieho zariadenia C. Umývací prostriedok dávajte iba do suchého dávkovača D. Umývací prostriedok na predumývanie dajte priamo do vaničky.



- Pri odmeriavaní umývacieho prostriedku sa riadte uvedenými informáciami, aby ste prídali správne množstvo. Vnútri dávkovača D sa nachádzajú značky, ktoré pomôžu pri dávkovaní umývacieho prostriedku.
- Odstráňte zvyšky umývacieho prostriedku z okrajov dávkovača a až potom veko zatvorte, až sa ozve cvaknutie.
- Zatvorte veko dávkovača umývacieho prostriedku jeho nadvihnutím, až uzatváracie zariadenie zapadne na miesto.

Dávkovač umývacieho prostriedku sa automaticky otvorí v správnom čase podľa programu.

Ak používate čistiaci prostriedok, ktorý nie je určený na umývačky, môžete tým spôsobiť poruchu alebo poškodenie spotrebiča.

KAŽDODENNÉ POUŽÍVANIE

1. SKONTROLUJTE PRIPOJENIE K VODOVODU

Skontrolujte, či je spotrebič pripojený k vodovodnej sieti a či je otvorený vodovodný ventil.

2. ZAPNITE UMÝVAČKU

Otvorte dvierka a stlačte tlačidlo ZAP./VYP.

3. ULOŽTE RIAD DO KOŠOV (pozri UKLADANIE RIADU DO KOŠOV)

4. PLNENIE DÁVKOVAČA UMÝVACIEHO PROSTRIEDKU

5. ZVOĽTE PROGRAM A UPRAVTE SI CYKLUS PODĽA ŽELANIA

Vyberte najvhodnejší program podľa typu nádob a stupňa zašpinenia (pozri OPIS PROGRAMOV) stlačením zvoleného tlačidla PROGRAM. Zvoľte požadované možnosti (pozri MOŽNOSTI A FUNKCIE). Nie všetky možnosti sú kompatibilné so všetkými programami.

6. ŠTART

Cyklus umývania spustíte stlačením tlačidla ŠTART/Pauza (rozsvieti sa LED) a zatvorením dvierok do 4 sekúnd. Keď sa program spustí, ozve sa jedno zapípanie. Ak dvierka nezatvoríte do 4 sekúnd, ozve sa výstražný signál. V takomto prípade dvierka neotvárajte, stlačte tlačidlo ŠTART/Pauza a znova zatvorte dvierka do 4 sekúnd.

7. UKONČENIE CYKLU UMÝVANIA

Koniec cyklu umývania oznámi zvuková signalizácia a na displeji sa zobrazí END (KONIEC). Otvorte dvierka a vypnite spotrebič stlačením tlačidla ZAP./VYP.

Niekoľko minút počkajte, aby ste sa nepopáli, a potom nádoby vyberte. Vyložte riad z košov, začnite od spodného.

ÚPRAVA BEŽIACEHO PROGRAMU

Ak ste zvolili nesprávny program, je možné ho zmeniť za podmienky, že sa iba začal. **RESET** spotrebiča: stlačte a podržte tlačidlo ZAP./VYP. dlhšie ako 3 sekundy a spotrebič sa vypne. **Na prístrojovej doske sa zobrazí „0:01“.** Zatvorte dvierka a počkajte, kým sa skončí cyklus odčerpania (cca 1 minúta). Otvorte dvierka a znova spotrebič zapnite pomocou tlačidla ZAP./VYP. a zvoľte požadovanú možnosť. Spustíte cyklus stlačením tlačidla ŠTART/Pauza a zatvorením dvierok do 4 sekúnd.

PRIDANIE RIADU NAVÝŠE

Bez vypnutia spotrebiča najprv pootvorte dvierka, aby voda nevyšplechla (LED kontrolka ŠTART/Pauza) začne blikať) (**Pozor! Horúca para!**) a vložte riad do umývačky. Stlačte tlačidlo ŠTART/Pauza a zatvorte dvierka do 4 sekúnd, cyklus bude pokračovať od bodu, kde bol prerušený.

NÁHODNÉ PRERUŠENIA

Ak sa dvierka otvoria počas umývacieho cyklu, alebo v prípade výpadku prúdu, cyklus sa zastaví. Zatvorte dvierka a **IBA AK STLAČÍTE** tlačidlo ŠTART/Pauza a zatvoríte dvierka do 4 sekúnd, cyklus bude pokračovať od bodu, kde bol prerušený.

RADY A TIPY

TIPY

Pred naložením riadu do košov odstráňte všetky zvyšky jedla z nádob a vyprázdňte poháre. **Riad nemusíte vopred oplachovať pod tečúcou vodou.**

Uložte nádoby tak, aby sedeli pevne na mieste a neprevrtili sa; a uložte ich tak, aby boli otvorení nadol, a vypuklé časti, aby boli naklonené a voda sa tak mohla voľne dostať ku všetkým povrchom.

Pozor: veká, rúčky, podnosy a panvice na vysmážanie nesmú brániť otáčaniu ostrekovacích ramien.

Drobné veci ukladajte do košíka na príbor. Veľmi špinavý riad a hrnce treba ukladať do spodného koša, lebo v tejto časti sú prúdy vody silnejšie a zvyšujú umývací výkon. Po naplnení spotrebiča sa presvedčte, či sa ostrekovacie ramená môžu voľne otáčať.

NEVHODNÉ PREDMETY

- Drevené nádoby a príbor.
- Krehké zdobené poháre, umelecký ručne maľovaný a starožitný porcelán. Ich zdobenie nie je odolné.
- Časti z plastu, ktoré nie sú odolné voči vysokým teplotám.
- Medené a cínové nádoby.
- Riad zašpinený od popola, vosku, mazadiel alebo atramentu.
- Farby ozdôb na skle a hliníkové/strieborné kusy sa môžu počas umývania meniť a vyblednúť. Niektoré typy skla (napr. krištáľové predmety) môžu po niekoľkých umytiach zmatnieť.

POŠKODENIE SKLA A PORCELÁNU

- Používajte iba sklo a porcelán, pri ktorých výrobca zaručuje, že ich možno bezpečne umývať v umývačke.
- Používajte jemný umývací prostriedok vhodný na porcelán
- Vytiahnite poháre a príbor z umývačky hneď po skončení umývacieho cyklu.

TIPY NA ÚSPORU ENERGIE

- Keď používate umývačku riadu do domácnosti v súlade s pokynmi výrobcu, **pri umývaní kuchynského riadu v umývačke sa spravidla spotrebuje MENEJ ENERGIE a vody ako pri ručnom umývaní riadu.**
- Na dosiahnutie maximálnej efektivity umývačky riadu sa odporúča **spustiť cyklus umývania až potom, čo bude kompletne naplnená.** Ak naložíte umývačku riadu až do kapacity uvedenej výrobcom, prispějete tým k úspore energie a vody. Informácie o správnom nakladaní riadu nájdete v kapitole s názvom NAKLADANIE KOŠOV. V prípade čiastočného naplnenia sa odporúča používať špecializované možnosti umývania (Polovičná náplň/Zónové umývanie/Multizónové umývanie), ak sú k dispozícii, a naplniť iba konkrétne koše. Pri nesprávnom alebo nadmernom naplnení sa môže zvýšiť spotreba umývačky (či už ide o spotrebu vody, energie, času alebo väčšiu mieru hluku), čo povedie k zníženiu výkonu pri umývaní a sušení.
- Manuálne predbežné oplachovanie kuchynského riadu má za následok zvýšenú spotrebu vody a energie, a preto sa neodporúča.

HYGIENA

Aby ste sa vyhli zápachu a usadeninám, ktoré sa môžu nahromadiť v umývačke, **aspoň raz do mesiaca spustíte program s vysokou teplotou.** Do prázdnej umývačky dajte čajovú lyžičku umývacieho prostriedku a pusťte ju naprázdno, aby sa vyčistila.

ODOLNOSŤ VOČI MRAZU

Ak je spotrebič umiestnený v prostredí s rizikom mrazu, **je potrebné z neho úplne vypustiť vodu.** Uzavrte vodovodný kohútik, odstráňte prívodnú a odtokovú hadicu a nechajte vodu vytečť. **Presvedčte sa, že zmäčkováč vody je plný rozpustenej regeneračnej soli v zásobníku soli,** aby bol spotrebič chránený pred teplotami až do -20°C. Ak bol spotrebič uskladnený v podmienkach, kde mrzlo, musí pred prvým spustením **aspoň 24 hodín** stáť pri okolitej teplote minimálne 5°C.

TABUĽKA PROGRAMOV

Program	Opis programov	Fáza sušenia Natural-Dry	Dostupné možnosti *)	Trvanie umývacieho programu (h:min)**)	Spotreba vody (litre/cyklus)	Spotreba energie (kWh/cyklus)	
Eco	Eko 50° - Program Eco je vhodný na umývanie bežne zašpineného kuchynského riadu, preto ide o najefektívnejší program na tento účel z hľadiska spotreby energie a vody, ktorý sa používa na stanovenie súladu s legislatívou Ecodesign v rámci EÚ.	✓	✓	1/2 ☆ ☼ ☼ POWER CLEAN ☼☼☼+ ⌚	4:00	9,5	0,65
	Rýchly 45° - Program, ktorý sa odporúča pre obmedzené množstvo trochu znečisteného riadu bez zasušených zvyškov jedla. Neobsahuje fázu sušenia.	-	✓	1/2 ☆ ☼ ☼ ☼☼☼+ ⌚	0:30 - 0:40	10,0 - 12,0	0,55 - 0,65
	Krištáľové 45° - Program na krehké kusy riadu, ktoré sú citlivejšie na vysoké teploty, napríklad poháre a šálky.	✓	✓	1/2 ☆ ☼ ☼ ☼☼☼+ ⌚	1:40 - 1:50	12,5 - 16,5	0,95 - 1,20
	Auto Intenzívny 65° - Automatický program na silne znečistený riad a panvice.	✓	✓	1/2 ☆ ☼ ☼ ☼ POWER CLEAN ☼☼☼+ ⌚	2:25 - 3:10	15,5 - 24,5	1,30 - 1,70
	Auto Zmiešaný 55° - Automatický program na normálne znečistený riad so zasušenými zvyškami jedla.	✓	✓	1/2 ☆ ☼ ☼ ☼ POWER CLEAN ☼☼☼+ ⌚	1:20 - 3:00	7,5 - 19,5	0,75 - 1,20
	Auto Rýchly 50° - Automatický program na normálne a trochu znečistený riad. Každodenný cyklus, ktorý zabezpečuje optimálny výsledok umývania a sušenia v kratšom čase.	✓	✓	1/2 ☆ ☼ ☼ ☼ POWER CLEAN ☼☼☼+ ⌚	1:00 - 1:50	7,5 - 15,5	0,70 - 1,10
	Predumývanie - Na odmočenie riadu, ktorý sa bude umývať neskôr. Pri tomto programe sa nepoužíva umývací prostriedok.	-	✓	1/2 ⌚	0:12	4,5	0,10
	Autočistenie 65° - Program určený na údržbu umývačky sa musí spúšťať iba v PRÁZDNEJ umývačke s použitím špeciálnych prostriedkov určených na údržbu umývačky.	-	-	☼☼☼ ⌚	1:15	11,0	1,10

Údaje z programu EKO sú namerané v laboratórnych podmienkach podľa európskej normy EN 60436:2020.

Poznámka pre Skúšobné laboratóriá: O informácie o podmienkach vykonania komparatívnej skúšky EN môžete požiadať na adrese: dw_test_support@whirlpool.com

Príprava riadu pred umývaním nie je potrebná pri nijakom programe.

*) Nie všetky možnosti možno použiť súčasne s inými.

**) Hodnoty uvedené pri iných programoch ako Eko sú iba orientačné. Skutočný čas sa môže líšiť v závislosti od mnohých faktorov, ako sú teplota a tlak privádzanej vody, teplota vmiestnosti, množstvo umývacieho prostriedku, množstvo a typ vloženého riadu, jeho rozloženie, ďalšie zvolené možnosti akalibrácia senzoru. Kalibrácia senzoru môže predĺžiť trvanie programu až o 20 minút.

MOŽNOSTI A FUNKCIE

MOŽNOSTI možno zvoliť/zrušiť po zvolení programu priamo stlačením príslušného tlačidla (ak sú dostupné, rozsvieti sa kontrolka) (pozri OVLÁDACÍ PANEL). Ak možnosť nie je kompatibilná so zvoleným programom (pozri TABUĽKU PROGRAMOV), 3 razy rýchlo zabliká príslušná LED kontrolka a ozve sa pípanie. Možnosť sa neaktivuje. Voliteľnou možnosťou možno zmeniť čas alebo spotrebu vody alebo energie pre program.

POWER CLEAN® - Vďaka prídavným výkonným dýzám táto funkcia umožňuje intenzívnejšie a účinnejšie umývanie v spodnom koši, v špecifickej oblasti. Táto možnosť sa používa na umývanie hrncov a kastrov (Pozri časť Power Clean® naplnenie).

1/2 POLOVIČNÁ NÁPLŇ - Ak máte na umývanie málo riadov, použiva sa 1/2 polovičná náplň pre úsporu vody, elektriny alebo času v závislosti od zvoleného programu. **Nezabudnite znížiť množstvo umývacieho prostriedku.**

EXTRA SUŠENIE - Vyššia teplota počas záverečného oplachovania a predĺžená fáza sušenia umožňuje lepšie sušenie. Možnosť EXTRA SUŠENIE predlži cyklus umývania.

TICHÝ - Vhodný na nočnú prevádzku spotrebiča. Túto funkciu možno použiť na zníženie hlučnosti počas fáz umývania. Predlži sa tým čas cyklu v závislosti od zvoleného základného cyklu.

HYGIENICKÉ OPLACHOVANIE - Túto funkciu môžete použiť na dezinfekciu umyťého riadu. Zvýši teplotu záverečného oplachovania a pridá k zvolenému programu antibakteriálne umývanie. Ideálne na umývanie porcelánu a detských fľašiek. Dvierka umývačky musia byť počas celého programu zatvorené, aby bolo zaručené zredukovanie baktérií. **UPOZORNENIE: porcelánové šálky a taniere môžu byť na konci cyklu veľmi horúce.**

ODLOŽENÝ ŠTART - Začiatok programu možno posunúť o 30 minút až 24 hodín.

1. Zvoľte program a akúkoľvek želanú možnosť. Opakovane stlačte tlačidlo ODKLAD, čím posuniete začiatok programu. Dá sa nastaviť čas 0:30 až 24 hodín. Po dosiahnutí nastavenia 24 hodín znova stlačte ODKLAD na vypnutie funkcie ODKLAD.

2. Stlačte tlačidlo START/Pauza (ŠTART/Pauza) a zatvorte dvierka do 4 sekúnd.

3. Po uplynutí zvoleného času kontrolka zhasne a program sa automaticky spustí.

Po spustení programu už funkciu posunutia štartu nemožno nastaviť.

ČAS NA PODLAHE - LED svetlo premietané na podlahu ukazuje čas zostávajúci do konca cyklu. Zakaždým, keď sa otvoria dvierka, svetielko zhasne. Svetlo zhasne na konci cyklu. Svetlo zhasne na konci cyklu. Jedná sa o predvolenú funkciu, ktorú môžete zmeniť v "MENU NASTAVENIA."

ODVÁPNIŤ - Upozornenie - Bolo zistené nahromadenie vodného kameňa na vnútorných komponentoch spotrebiča. Skontrolujte, či máte v **Nastaveniach Tvrdosti Vody** správnu hodnotu a v zásobníku soli **sol'** (pozri **PRVÉ POUŽITIE**), potom použite **odvápňovací prostriedok** (odporúča sa značka WPro) s **programom Autočistenie**. Po úspešnom odvápnení sa ikonka už nebude zobrazovať.

Ak sa vyššie uvedené činnosti nevykonajú, výkon spotrebiča sa zhorší. Upozornenie ODVÁPNIŤ začne blikať a na displeji sa zobrazí „dES“. Ak sa činnosť napriek tomu nevykoná, spotrebič dovolí spustiť iba určitý počet cyklov (zobrazený pri upozornení „dES“ na displeji) a potom sa **ZABLOKUJE**, aby zabránil poškodeniu komponentu, **a bude k dispozícii iba program Autočistenie**. Vykonanie odvápnenia spotrebič odblokuje. V prípade mimoriadne veľkého množstva vodného kameňa možno odvápnenie vykonať dva razy, aby bolo účinné.

NaturalDry - je konvekčný systém sušenia, ktorý automaticky otvorí dvierka počas/po fáze sušenia, čím zaisťujú výnimočný výsledok sušenia každý deň. Dvierka sa otvárajú pri teplote, ktorá neohroží váš kuchynský nábytok, preto sa neotvoria, ak je zvolená možnosť **HYGIENICKÉ OPLACHOVANIE**. Ako doplnková ochrana pred parou bola k umývačke priložená špeciálne navrhnutá ochranná fólia. Spôsob montáže ochrannej fólie nájdete v **NÁVODE NA INŠTALÁCIU**. Táto funkcia je aktivovaná štandardne, ale je možné ju deaktivovať v ponuke **PONUKA NASTAVENIA**.

SNÍMANIE - Keď senzor zisťuje úroveň znečistenia, na displeji sa zobrazí animácia (asi 20 minút) a trvanie cyklu sa aktualizuje. Snímanie je pre úroveň znečistenia riadu a je pri všetkých cykloch (okrem Eko) a príslušne upraví progra.

ZATVORENÝ VODOVODNÝ VENTIL - Upozornenie - Bliká v prípade žiadneho prítoku vody alebo zatvoreného vodovodného ventilu.

UKLADANIE RIADU DO KOŠOV

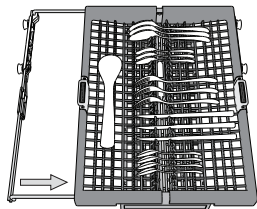
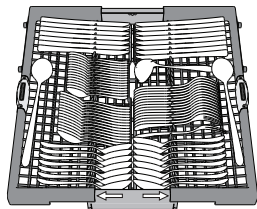
KAPACITA: 15 štandardných súprav

KOŠÍK NA PRÍBOR

Tretí košík je určený na ukladanie príboru. Príbor uložte, ako je uvedené na obrázku. Vďaka oddelenému uloženiu sa príbor po umytí ľahšie vyberá a dosiahne sa lepší výsledok umývania a sušenia.

Nože a ostatné kuchynské náčinie s ostrými okrajmi treba uložiť čepeľami nadol.

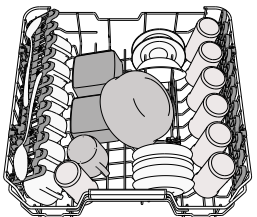
Košík na príbor je vybavený dvoma zasúvacími bočnými priehradkami, aby sa čo najviac využila výška spodného priestoru a dali sa uložiť vysoké veci do horného koša.



VRCHNÝ KOŠ

Ukladajte doň krehké a ľahké nádoby: poháre, šálky, tanieriky, nízke šalátové misky. Vrchný koš má oporu proti prevráteniu, ktorú možno použiť vo vertikálnej polohe pri ukladaní podšálok a dezertných tanierikov alebo v spodnej polohe na ukladanie misiek a nádob na jedlo.

(príklad naplnenia vrchného koša)

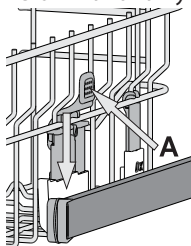


Nastavenie výšky vrchného koša

Výška vrchného koša je nastaviteľná: vysoká poloha umožňuje uložiť do spodného koša objemný riad a nízka poloha umožňuje čo najlepšie využiť opory proti prevráteniu vytvorením väčšieho miesta smerom nahor a vyhnúť sa tomu, aby riad narážal o veci v spodnom koši.

Vrchný koš je vybavený **nastavovačom výšky vrchného koša** (pozri obrázok), bez stláčania páčok ho jednoducho nadvihnite uchopením bočnic koša, len čo je koš v stabilnej hornej polohe.

Na vrátenie do spodnej polohy stlačte páčky **A** na bočkoch koša a posuňte koš nadol.
V žiadnom prípade neodporúčame nastavovať výšku koša, keď je plný.
NIKDY nezdvíhajte ani nespúšťajte koš iba na jednej strane.



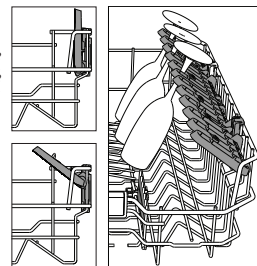
Sklápacie klapky s nastaviteľnou polohou

Bočné sklápacie opierky je možné sklopiť alebo vyklopiť, aby bolo možné optimalizovať usporiadanie riadu v zásuvke.

Vínové poháre možno bezpečne uložiť do sklápacích opierok vložením stopky pohára do príslušnej štrbiny.

V závislosti od modelu:

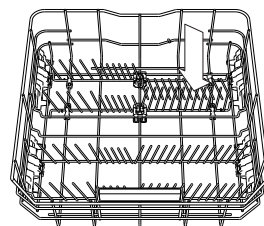
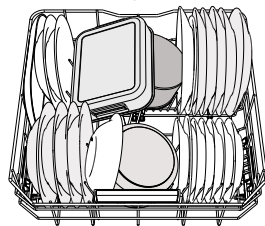
- pri vyklápaní opierku posuňte hore a otočte ju alebo ju uvoľnite zo západiek a potiahnite ju dole.
- pri sklápaní opierku otočte a zasunúť ju dole alebo ju vytiahnite hore a zatlačte do západiek.



SPODNÝ KOŠ

Na hrnce, pokrievky, taniere, šalátové misky, príbor a pod. Veľké taniere a pokrievky by mali byť uložené po bokoch, aby na ne ostrekovacie ramená nenarážali.

Spodný koš má opory proti prevráteniu, ktoré možno použiť v zvislej polohe pri ukladaní tanierov alebo v horizontálnej polohe (nižšie) pre ľahké uloženie panvíc a šalátových mís.



(príklad naplnenia spodného koša)

POWER CLEAN®

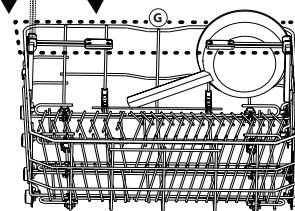
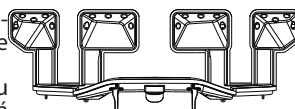
Funkcia Power Clean® využíva špeciálne vodné dýzy v zadnej časti priestoru na intenzívne umývanie veľmi špinavých nádob.

Spodný koš má oddelovaciu zónu, špeciálnu vyťahovaciu oporu v zadnej časti koša, ktorá môže slúžiť na podopretie panvíc alebo plechov na pečenie, aby boli v zvislej polohe a zabrali tak menej miesta.

Po umiestnení hrncov/kastrólov oproti komponentu Power Clean® aktivujte na ovládacom paneli **POWER CLEAN**.

Ako používať Power Clean®:

1. Upravte priestor Power Clean® (G) sklopením zadných držiakov tanierov, aby sa tam zmestili hrnce..
2. Vložte vertikálne naklonené hrnce a kastróly do oblasti Power Clean®. Hrnce musia byť naklonené smerom k vodným dýzám.



STAROSTLIVOSŤ A ÚDRŽBA

ČISTENIE ZOSTAVY FILTRA

Zostavu filtra pravidelne čistite, aby sa filtre neupchali a odpadová voda mohla správne odtekať.

Ak používate umývačku riadu s upchatými filtermi alebo s cudzími telesami vo filtračnom systéme či v ostrekovacích ramenách, môže to spôsobiť poruchu s následným zhoršením výkonu, nárastom hluku alebo zvýšením spotreby.

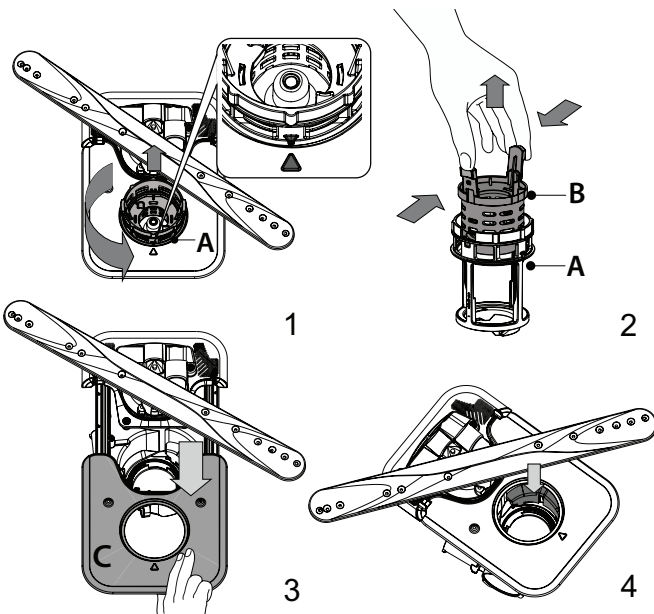
Zostava filtra pozostáva z troch filtrov, ktoré odstraňujú zvyšky jedla z umývačky a potom vodu recirkulujú.

Umývačku nesmiete používať bez filtrov, alebo ak je filter uvoľnený.

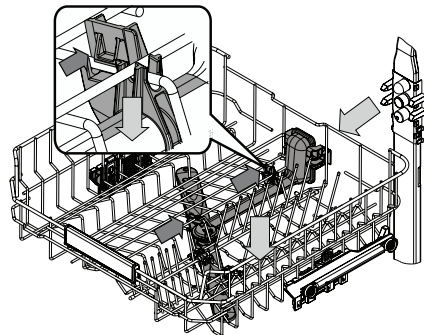
Aspoň raz mesačne alebo zakaždým po 30 cykloch skontrolujte zostavu filtra a v prípade potreby ju pomocou nekovovej kefy dôkladne vyčistite pod tečúcou vodou podľa nižšie uvedených pokynov:

1. Otočte valcovým filtrom **A** proti smeru hodinových ručičiek a vytiahnite ho (obr. 1). **Je dôležité, aby sa pri opätovnej inštalácii filtra dva trojuholníky zobrazené na zväčšení stretli.**
2. Vytiahnite vrchný filter **B** jemným zatlačením na bočné klapky (obr. 2).
3. Vyberte plechový filter z nehrdzavejúcej ocele **C** (obr. 3).
4. V prípade, že nájdete cudzie telesá (napr. úlomky skla, porcelánu, kostí, ovocné semená a pod.), **opatrne ich vyberte.**
5. Skontrolujte sífón a odstráňte zvyšky jedla. **NIKDY NEVYBERAJTE ochranu čerpadla (označené šípkou) (obr. 4).**

Po vyčistení filtrov zostavu filtrov vložte na miesto a zafixujte v správnej polohe; je to dôležité pre správnu činnosť umývačky.

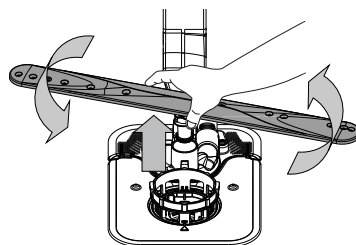


ČISTENIE OSTREKOVACÍCH RAMIEN

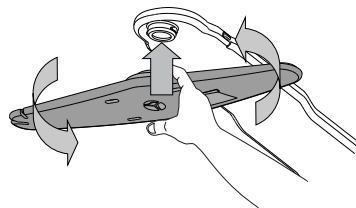


Občas sa zvyšky jedla môžu zasušit aj na ostrekovacích ramenách a zablokovat diery, cez ktoré strieka voda. Preto sa odporúča občas ramená kontrolovať a čistiť ich malou nekovovou kefkou.

Ak chcete odstrániť horný ostrekovač, musíte ho odstrániť spolu s privodným potrubím.



Spodné ostrekovacie rameno možno vybrať potiahnutím nahor a otočením proti smeru hodinových ručičiek. Znovu ho namontujete potiahnutím nadol a otočením v smere hodinových ručičiek.




Horné ostrekovacie rameno možno vybrať zatlačením nahor a otočením proti smeru hodinových ručičiek. Znovu ho namontujete potiahnutím nahor a otočením v smere hodinových ručičiek.

RIEŠENIE PROBLÉMOV

Ak vaša umývačka riadnu nefunguje správne, zistite, či problém nemožno vyriešiť po konzultácii s nasledujúcim zoznamom. V prípade ďalších chýb a problémov sa obráťte na autorizovaný popredajný servis, pričom kontaktné údaje nájdete v záručnej knižke. Náhradné diely budú k dispozícii počas 7 alebo až 10 rokov podľa konkrétnych požiadaviek nariadení.

PROBLÉMY	MOŽNÉ PRÍČINY	RIEŠENIA
Kontrolka soli svieti.	Zásobník soli je takmer prázdny.	Doplňte do zásobníka solí (ďalšie informácie - pozri <i>PLNENIE ZÁSOBNÍKA SOLI</i>). V prípade potreby skontrolujte nastavenie tvrdosti vody - pozri <i>TABUĽKA TVRDOTI VODY</i> .
Kontrolka soli bliká	Zásobník soli je prázdny.	Čo najskôr doplňte do zásobníka solí. Používanie spotrebiča bez soli môže poškodiť jeho vnútorné komponenty.
Kontrolka leštidla môže svietiť alebo bliká	Dávkočav leštidla je prázdny. (Po doplnení leštidla môže kontrolka ešte krátko svietiť).	Naplňte dávkočav leštidlom (viac informácií - pozri <i>PLNENIE DÁVKOVAČA LEŠTIDLA</i>).
Kontrolka odvápnienia svieti alebo bliká; Zobrazuje sa varovanie „dES“.	Na vnútorných komponentoch spotrebiča sa hromadí vodný kameň.	Okamžite spotrebič odvápnite pomocou programu Autočistenie a komerčne dostupného odvápnovacieho prostriedku (pozri <i>MOŽNOSTI A FUNKCIE</i>). Doplňte do zásobníka solí. Skontrolujte nastavenie tvrdosti vody. Ak spotrebič nie je odvápnenny, prestane pracovať.
Umývačka sa nespúšťa a nereaguje na príkazy.	Spotrebič nie je riadne pripojený do elektrickej zásuvky.	Zastrčte zástrčku do zásuvky.
	Výpadok prúdu.	Z bezpečnostných dôvodov sa po obnove prívodu elektrickej energie umývačka riadu nereštartuje automaticky. Otvorte dverka umývačky, stlačte tlačidlo ŠTART/Pauza a zatvorte dverka do 4 sekúnd.
	Dverka umývačky nie sú zatvorené. Kolík Natural-Dry nie je vtiahnutý.	Energicky dverka zatlačte tak, aby ste počuli „cvaknutie“.
	Cyklus je prerušený otvorením dvierok na viac ako 4 sekundy.	Do 4 sekúnd zatvorte dverka a stlačte tlačidlo ŠTART/Pauza.
Z umývačky neodtiekla voda. Zobrazenie na displeji: F7 E3 alebo F9 E1	Filter je upchatý zvyškami jedla alebo vodným kameňom.	Vyčistite filter a spotrebič odvápnite (pozri <i>ČISTENIE ZOSTAVY FILTRA</i> a <i>NÁVOD NA ODVÁPNENIE</i>).
	Zalomená odtoková hadica.	Skontrolujte odtokovú hadicu (pozri <i>NÁVOD NA INŠTALÁCIU</i>).
	Odtokové potrubie drezu je upchaté.	Vyčistite odtokové potrubie drezu.
Umývačka vydáva nadmerný hluk.	Nádoby o seba hrkocú.	Uložte nádoby správne (pozri <i>UKLADANIE RIADU DO KOŠOV</i>).
	Vzniká nadmerné množstvo pary.	Umývací prostriedok nebol dávkovaný správne alebo nie je vhodný do umývačiek (pozri <i>PLNENIE DÁVKOVAČA UMÝVACIEHO PROSTRIEDKU</i>). Reštartujte aktuálny cyklus vypnutím umývačky, potom ju znova zapnite, zvolte nový program, stlačte ŠTART/Pauza a do 4 sekúnd zatvorte dverka. Nepridávajte čistiaci prostriedok.
	Riad nebol správne uložený.	Uložte nádoby správne (pozri <i>UKLADANIE RIADU DO KOŠOV</i>).
	Filter je upchatý zvyškami jedla alebo vodným kameňom.	Vyčistite zostavu filtrov (pozri <i>STAROSTLIVOSŤ A ÚDRŽBA</i>).
Riad nie je čistý.	Riad nebol správne uložený.	Uložte nádoby správne (pozri <i>UKLADANIE RIADU DO KOŠOV</i>).
	Ostrekovacie ramená sa nemôžu voľne točiť, bránia im v tom kusy riadu.	Uložte nádoby správne (pozri <i>UKLADANIE RIADU DO KOŠOV</i>). Skontrolujte, či je horný kôš v správnej polohe a prípade potreby ho upravte (zdvihnite).
	Umývací cyklus je príliš jemný.	Vyberte príslušný umývací cyklus (pozri <i>TABUĽKU PROGRAMOV</i>).
	Vzniká nadmerné množstvo pary.	Umývací prostriedok nebol dávkovaný správne alebo nie je vhodný do umývačiek riadu (pozri <i>PLNENIE DÁVKOVAČA UMÝVACIEHO PROSTRIEDKU</i>).
	Veko priehradky na leštidlo nebolo správne uzavreté.	Presvedčte sa, či je veko dávkočava leštidla uzavreté.
	Filter je upchatý zvyškami jedla alebo vodným kameňom.	Vyčistite filter a spotrebič odvápnite (pozri <i>ČISTENIE ZOSTAVY FILTRA</i>).
Zásobník soli je prázdny.	Naplňte zásobník soli (pozri <i>PLNENIE ZÁSOBNÍKA SOLI</i>).	

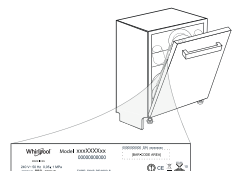
PROBLÉMY	MOŽNÉ PRÍČINY	RIEŠENIA
Umývačka sa neplní vodou. Zobrazenie na displeji: H2O a  svieti; ozýva sa zvukový alarm.	V prívode nie je voda alebo je uzavretý ventil.	Presvedčte sa, či je v prívode voda a či je kohútik otvorený.
	Prívodná hadica je ohnutá.	Skontrolujte prívodnú hadicu (<i>pozri INŠTALÁCIA</i>). Otvorte dvierka umývačky, stlačte tlačidlo ŠTART/Pauza a zatvorte dvierka do 4 sekúnd.
	Sítka v prívodnej hadici je upchaté. Je nevyhnutné ho vyčistiť.	Skontrolujte a vyčistite sítka v prívodnej hadici. Otvorte dvierka umývačky, stlačte tlačidlo ŠTART/Pauza a zatvorte dvierka do 4 sekúnd.
Umývačka predčasne ukončuje cyklus. Zobrazenie na displeji: F8 E3	Filter je upchatý zvyškami jedla alebo vodným kameňom.	Vyčistite filter a spotrebič odvápnite (<i>pozri ČISTENIE ZOSTAVY FILTRA a NÁVOD NA ODVÁPŇENIE</i>).
	Odtoková hadica je umiestnená príliš nízko alebo voda odteká do domáceho odpadového systému.	Skontrolujte, či je koniec odtokovej hadice umiestnený v správnej výške (<i>pozri INŠTALÁCIA</i>). Skontrolujte odvádzanie do systému domového odpadu, v prípade potreby namontujte vypínač odtoku/ventil prívodu vzduchu.
	Vzniká nadmerné množstvo pary.	Umývací prostriedok nebol dávkovaný správne alebo nie je vhodný do umývačiek riadu (<i>pozri PLNENIE DÁVKOVAČA UMÝVACIEHO PROSTRIEDKU</i>).
	V prívode vody je vzduch.	Skontrolujte, či v prívode vody nie sú netesnosti alebo iné problémy, pre ktoré uniká vzduch dovnútra.
Riad nie je dobre vysušený.	V dávkovači nie je leštidlo alebo je dávka príliš malá.	Presvedčte sa, či je dávkovač leštidla plný (<i>pozri PLNENIE DÁVKOVAČA LEŠTIDLA</i>). Iba multifunkčné tablety nezabezpečia taký dobrý výsledok sušenia ako použitie tekutého leštidla.
	Riad bol vyložený po automatickom otvorení dvierok, ale pred skutočným ukončením cyklu.	Predtým ako začnete riad vykladať, presvedčte sa, či sa cyklus skončil (<i>pozri KAŽDODENNÉ POUŽÍVANIE</i>). Pre ešte lepší výsledok sušenia sa odporúča nechať riad v umývačke pri otvorených dvierkach ďalších 15 minút po skončení cyklu.
	Riad je uložený príliš na plocho.	Ak v šálkach, pohároch alebo miskách zbadáte kaluže vody, skúste ukladať riad (najmä v hornom koši) väčšmi naklonený, aby väčšie množstvo vody pred sušením odtieklo.
	Zvolený cyklus nemá fázu sušenia.	Overte si v <i>TABUĽKE PROGRAMOV</i> , či má zvolený program fázu sušenia. Cyklus bez fázy sušenia nemusí dosahovať želanú účinnosť sušenia, preto sa odporúča vybrať radšej cyklus, ktorý má fázu sušenia.
	Nádoby majú úpravu proti pripáleniu alebo sú z plastu.	Je normálne, že na takomto type materiálu zostávajú nejaké kvapky vody.
Na riade a pohároch sú modré pásy alebo majú modrastý odtieň.	Dávka leštidla je priveľmi veľká.	Nastavte dávkovanie na nižšie hodnoty.
Na riadoch a pohároch sú usadeniny vodného kameňa alebo biely povlak.	Zásobník soli je prázdny.	Čo najskôr doplňte do zásobníka soľ. Používanie spotrebiča bez soli môže poškodiť jeho vnútorné komponenty.
	Je nastavená príliš nízka tvrdosť vody.	Zvýšte hodnoty tvrdosť vody (<i>pozri TABUĽKU TVRDOSTI VODY</i>).
	Uzáver zásobníka soli nie je dobre zavretý.	Skontrolujte a zatvorte záver zásobníka soli.
	Zásobník leštidla je prázdny alebo dávkovanie leštidla je nedostatočné.	Naplňte dávkovač leštidlom a skontrolujte nastavenie dávkovania (viac informácií nájdete - <i>pozri PLNENIE DÁVKOVAČA LEŠTIDLA</i>).
Umývačka riadu zobrazuje F8 E5	Ventil je zablokovaný alebo chybný.	Zatvorte ventil prívodu vody, ak je to možné. Nevypínajte napájanie. Zavolajte servis.



Firemné zásady, štandardnú dokumentáciu, objednávanie náhradných dielov a ďalšie informácie o produkte nájdete na:

- Pomocou QR kódu a na našej webovej stránke: **docs.whirlpool.eu**
- Na našej webovej stránke: **parts-selfservice.whirlpool.com**
- Prípadne **sa obráťte na náš popredajný servis** (Telefónne číslo nájdete v záručnej knižke). Pri kontaktovaní nášho popredajného servisu uveďte, prosím, kódy z výrobného štítku vášho spotrebiča.

Informácie o modele získate cez QR kód na energetickom štítku. Na štítku tiež nájdete identifikačné číslo modelu, ktoré môžete použiť na vyhľadávanie v registri na portáli <https://eprel.ec.europa.eu>.





ДЯКУЄМО ЗА ПРИДБАННЯ ВИРОБУ WHIRLPOOL.
Для отримання більш повної допомоги зареєструйте свій прилад на веб-сайті: www.whirlpool.eu/register

Перед використанням пристрою уважно прочитайте Інструкцію з техніки безпеки та встановлення. Детальніша інформація про пристрій представлена на вебсайті: docs.whirlpool.eu



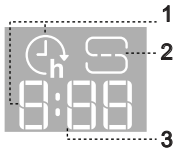
Після встановлення не забудьте зняти з посудомийної машини всі захисні елементи, що використовуються під час транспортування.

ПАНЕЛЬ КЕРУВАННЯ



1. Кнопка **УВІМК.-ВИМК./Налаштування** з індикатором
2. Кнопка **програми Eco** з індикатором
3. Кнопка **програми Дуже Швидка** з індикатором/ **програми Попереднє Промивання** - утримати протягом 3 сек.
4. Кнопка **програми Кристали** з індикатором/ **програми Самоочищення** - утримати протягом 3 сек.
5. Кнопки **Автоматичних програм** з індикаторами - **Авто Інтенсивна 65°/ Авто Змішана 55°/ Авто Швидка 50°**
6. Індикатор порожнього відсіку для **солі**
7. Індикатор порожнього відсіку для **ополіскувача**
8. Індикатор порожнього відсіку для **ополіскувача**
9. Індикатор **номера програми і часу, що залишився**
10. Індикатор **Закритого Водопровідного Крану**
11. Індикатор **ВИДАЛЕННЯ НАКИПУ**
12. Кнопки **Додаткових опцій** з індикаторами - **Половинне завантаження/ Тихе миття/ Sani Rinse**
13. Кнопка **Power Clean®** з індикатором
14. Кнопка **Максимальне Висушування** з індикатором/ **Налаштування** - утримати протягом 3 сек.
15. Кнопка **Затримка** з індикатором
16. Кнопка **ПУСК/пауза** з індикатором

ВІДОБРАЖЕННЯ НА ПІДЛОЗІ



1. **Час Затримки на підлозі** - індикатор часу, що залишився до початку циклу, якщо вибрано опцію Затримка
2. **Відсік для солі порожній** - світловий індикатор на підлозі
3. **Час, що залишився на підлозі** - індикатор часу, що залишився до кінця циклу

ПЕРШЕ ВИКОРИСТАННЯ

МЕНЮ НАЛАШТУВАНЬ

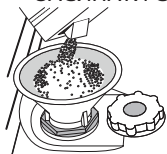
1. Увімкніть пристрій, натиснувши кнопку **УВІМК.-ВИМК.**
2. Утримуйте кнопку **Налаштування** (Максимальне Висушування) протягом 3 сек, поки не почуєте звуковий сигнал, а на дисплеї не з'явиться напис **«SEt»**.
3. За секунду з'явиться перший параметр (літера „h“).
4. Кнопками **Автоматичних програм** / **Додаткових опцій** прокрутіть список доступних параметрів (див. таблицю нижче), тоді натисніть **ПУСК/Пауза** , щоб відобразити та змінити значення вибраного параметра.
5. Кнопками **Автоматичних програм** / **Додаткових опцій** встановіть потрібне значення та натисніть **ПУСК/Пауза** , щоб зберегти нове значення.
6. Щоб змінити інший параметр, повторіть кроки 2 і 5.
7. Натисніть **УВІМК.-ВИМК.** або почекайте 30 сек, щоб вийти з меню.

ЛІТЕРА	ПАРАМЕТР	ЗНАЧЕННЯ (За замовчуванням - жирним шрифтом)
h	Рівень жорсткості води (див. «НАЛАШТУВАННЯ ЖОРСТКОСТІ ВОДИ» та «ТАБЛИЦЯ ЖОРСТКОСТІ ВОДИ»)	1 2 3 4 5
h	Рівень ополіскувача (див. «НАЛАШТУВАННЯ ДОЗИ ОПОЛІСКУВАЧА»)	0 1 2 3 4 5
h	Натуралдрай (NaturalDry) (див. «ОПЦІЇ ТА ФУНКЦІЇ») "1" = Увімк, "0" = Вимк.	1 0
h	Час на Підлозі (див. «ОПЦІЇ ТА ФУНКЦІЇ») "1" = Увімк, "0" = Вимк.	1 0
h	Звук "1" = Увімк, "0" = Вимк.	1 0
h	Заводські налаштування Натисніть ПУСК/Пауза, щоб відновити заводські налаштування усіх параметрів в меню.	-

НАПОВНЕННЯ БАЧКА ДЛЯ СОЛІ

Використання солі запобігає утворенню НАКИПУ на посуді і на функціональних компонентах машини. Відсік для солі розташований у нижній частині посудомийної машини (під нижньою полицею ліворуч).

- Важливо слідкувати за тим, щоб **бачок для солі ніколи не був порожнім**.
- Це важливо для встановлення належної жорсткості води.
- Сіль слід засипати, коли на панелі управління світиться індикатор **ЗАСИПАТИ СІЛЬ** .



1. Вийміть нижній кошик і відкрутіть кришку бачка (проти годинникової стрілки).
2. Вставте воронку (див. малюнок) і наповніть бачок для солі до краю (приблизно 0,5 кг); просочування невеликої кількості води - це нормально.
3. **Виконайте це лише при першому використанні: наповніть бачок для солі водою.**

4. Витягніть воронку і зтріть залишки солі з отвору. Переконайтеся, що кришка щільно прилягає, щоб під час виконання програми миття миючий засіб не міг потрапити до контейнера (це може призвести до пошкодження пом'якшувача води, який не підлягає ремонту). **Щоб уникнути корозії, запускайте програму щоразу після засипання солі у відсік.**

Налаштування жорсткості води

Для належного функціонування пом'якшувача води дуже важливо,

щоб налаштована жорсткість води базувалася на фактичному значенні жорсткості води у вашому будинку. Цю інформацію можна отримати у місцевій організації водопостачання. Заводське налаштування: «3». Див. «ТАБЛИЦЯ ЖОРСТКОСТІ ВОДИ». Для зміни налаштування виконуйте інструкції у розділі «МЕНЮ НАЛАШТУВАНЬ».

Використовуйте лише сіль, що спеціально призначена для посудомийних машин.

Таблиця жорсткості води

Рівень Солі	°dH Німецькі градуси	°fH Французькі градуси	°Clark Англійські градуси
1 (м'яка)	0 - 6	0 - 10	0 - 7
2 (середня)	7 - 11	11 - 20	8 - 14
3 (звичайна)	12 - 16	21 - 29	15 - 20
4 (жорстка)	17 - 34	30 - 60	21 - 42
5 (дуже жорстка)	35 - 50	61 - 90	43 - 62

Коли сіль буде засипано до машини, індикаторна лампа «ЗАПОВНЕННЯ СІЛЛЮ» вимкнеться.

Якщо контейнер для солі незаповнений, це може призвести до пошкодження пом'якшувача води і нагрівального елемента в результаті накопичення накипу. Рекомендується використовувати сіль з будь-яким типом миючих засобів для посудомийних машин.

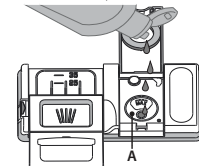
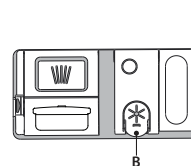
СИСТЕМА ПОМ'ЯКШЕННЯ ВОДИ

Пом'якшувач води автоматично знижує жорсткість води, запобігаючи утворенню накипу на нагрівачі, що також сприяє підвищенню ефективності очищення. **Регенерація цієї системи відбувається при використанні солі, тому у разі спорожнення ємність для солі необхідно поповнювати.** Частота регенерації залежить від встановленого рівня жорсткості води - регенерація відбувається один раз на **4-6** циклів Еко, якщо встановлений **3-й** рівень жорсткості води. Процес регенерації відбувається на початку циклу із додаванням свіжої води.

- Одноразова регенерація споживає: ~3 л води;
- Займає до 5 додаткових хвилин на цикл;
- Споживає менше 0,005 кВт год енергії.

ЗАПОВНЕННЯ ДОЗАТОРА ОПОЛІСКУВАЧА

Ополіскувач полегшує СУШІННЯ посуду. Дозатор ополіскувача **A** слід засипати, коли на панелі керування світиться індикаторна лампа **ЗАСИПАТИ ОПОЛІСКУВАЧЕМ** .



1. Відкрийте дозатор **B** натиснувши і потягнувши угору за виступ на кришці
2. Обережно додайте максимальну кількість ополіскувача (110 мл) до контрольної риски у ємності, уникаючи проливання рідини. Якщо це сталося, негайно витріть рідину сухою тканиною.
3. Натискайте кришку донизу, поки не почуєте звук клацання. **НІКОЛИ не наливайте ополіскувач безпосередньо у бачок.**

Налаштування дози ополіскувача

Якщо ви не задоволені результатом сушіння, можна відрегулювати використовувану кількість ополіскувача. Для зміни налаштування виконуйте інструкції у розділі «МЕНЮ НАЛАШТУВАНЬ». Якщо рівень ополіскувача встановлено на НУЛЬ, подачу ополіскувача буде припинено. Якщо ополіскувач витікає, індикаторна лампа НИЗЬКИЙ РІВЕНЬ ОПОЛІСКУВАЧА не буде світитися. Може бути встановлено до 6 рівнів у залежності від моделі посудомийної машини.

- Якщо на посуді з'являються блакитні смуги, встановіть низьке значення (0-3).
- Якщо на посуді з'являються краплі води або вапняний наліт, встановіть високе значення (4-5).

ЩОДЕННЕ ВИКОРИСТАННЯ

1. ПЕРЕВІРКА ПІДКЛЮЧЕННЯ ВОДИ

Переконайтеся, що посудомийна машина підключена до водопроводу і що кран відкритий.

2. УВІМКНЕННЯ ПОСУДОМИЙНОЇ МАШИНИ

Відкрийте дверцята і натисніть кнопку **УВІМК./ВИМК.**

3. ЗАВАНТАЖЕННЯ КОШИКІВ (див. «ЗАВАНТАЖЕННЯ КОШИКІВ»)

4. НАПОВНЕННЯ ДОЗАТОРА МИЮЧОГО ЗАСОБУ

5. ВИБІР ПРОГРАМИ І НАЛАШТУВАННЯ ЦИКЛУ

Виберіть програму, що найкраще підходить до типу посуду та ступеня його забрудненості (див. «ОПИС ПРОГРАМ»), натиснувши кнопку відповідної **ПРОГРАМИ**.

Виберіть потрібні опції (див. «ОПЦІЇ ТА ФУНКЦІЇ»). Деякі опції є несумісними з певними програмами.

6. ПУСК

Запустіть цикл миття, натиснувши кнопку **ПУСК/Пауза** (засвітиться індикатор) і зачинивши дверцята протягом 4 сек. Після запуску програми пролунає одноразовий звуковий сигнал. Якщо не зачинити дверцята протягом 4 секунд, пролунає сигнал попередження. У такому разі відчиніть дверцята, натисніть кнопку **ПУСК/Пауза** й знову зачиніть дверцята протягом 4 секунд.

7. ЗАВЕРШЕННЯ ЦИКЛУ МИТТЯ

Про кінець циклу миття повідомляє звуковий сигнал і індикація **END (KINECB)** на дисплеї. Відчиніть дверцята й вимкніть прилад, натиснувши кнопку **УВІМК./ВИМК.**

Зачекайте кілька хвилин перед тим, як витягнути посуд, щоб уникнути опіків. Розвантажте кошики, починаючи з нижнього.

ПОРАДИ І РЕКОМЕНДАЦІЇ

ПОРАДИ

Перед завантаженням кошиків видаліть з посуду усі залишки їжі та очистіть скляні поверхні. **Не потрібно промивати їх заздалегідь під проточною водою.**

Розташуйте посуд таким чином, щоб він міцно утримувався на місці і не міг перекинутися; і розташуйте контейнери таким чином, щоб отвори були знизу, а увігнуті/опуклі частини нахилені, для того, щоб вода потрапляла на всі поверхні і вільно стікала.

Попередження: кришки, ручки, піддони і сковорідки з ручками не повинні перешкоджати обертанню розпилювачів.

Кладіть будь-які дрібні предмети у кошик для столових приборів. Дуже забруднений посуд і сковорідки необхідно розмішувати у нижньому кошику, тому що у цій частині машини водяні струмені сильніші, завдяки чому досягається вища продуктивність миття.

Після завантаження посуду у прилад переконайтеся, що розпилювачі можуть вільно обертатися.

НЕПРИДАТНИЙ ПОСУД

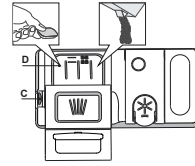
- Дерев'яний посуд і столові прибори.
 - Тонкий декоративний скляний посуд, вироби декоративно-прикладного мистецтва та антикварний посуд. Їх оздоблення нестійке.
 - Частини з синтетичного матеріалу, які не витримують дію високих температур.
 - Мідний і олов'яний посуд.
 - Посуд, забруднений золою, воском, мастилом або чорнилом.
- Кольори скляного оздоблення і алюмінієвих/срібних деталей можуть змінюватися і зникати в процесі миття. Деякі типи скла (наприклад, кришталевий посуд) можуть також стати непрозорими після декількох циклів миття.

ПОШКОДЖЕННЯ СКЛА І ПОСУДУ

- Використовуйте тільки такий скляний і фарфоровий посуд, який згідно рекомендацій його виробника можна безпечно мити у посудомийній машині.
- Використовуйте делікатний миючий засіб, що підходить для посуду.
- Витягайте скляний посуд і столові прилади з посудомийної машини відразу після закінчення циклу миття.

НАПОВНЕННЯ ДОЗАТОРА МИЮЧОГО ЗАСОБУ

Щоб відкрити дозатор миючого засобу, використовуйте механізм відкривання **C**. Додавайте миючий засіб тільки у сухий дозатор **D**. Додайте відповідну кількість миючого засобу для попереднього миття **безпосередньо у бачок**.



1. Щоб додати належну кількість, при відмірюванні миючого засобу звертайтеся з інформацією, наведеною вище. У середині дозатора **D** є індикатори, які забезпечують правильне дозування миючого засобу.

2. Видаліть залишки миючого засобу з країв дозатора і закривайте кришку, поки не почуєте клацання.

3. Закрийте кришку дозатора миючого засобу, тягнучи її вгору, поки запірний механізм не зафіксується.

Дозатор миючого засобу автоматично відкривається у потрібний момент відповідно до програми.

Використання миючого засобу, не призначеного для посудомийних машин, може привести до несправності або пошкодження приладу.

ЗМІНА ВИКОНУВАНОЇ ПРОГРАМИ

У разі неправильного вибору програми можна змінити її за умови, що виконання програми тільки розпочалося. **СКИНЬТЕ НАЛАШТУВАННЯ** машини: натисніть кнопку **УВІМК./ВИМК.** і утримуйте її понад 3 секунди. Машини вимкнуться. **На передній панелі відобразиться час «0:01».** Закрийте дверцята та зачекайте, доки закінчиться цикл зливу (приблизно 1 хвилина). Відкрийте дверцята та знову увімкніть машину за допомогою кнопки **УВІМК./ВИМК.** і виберіть новий цикл миття та будь-які потрібні параметри. Запустіть цикл миття, натиснувши кнопку **ПУСК/Пауза** й зачинивши дверцята протягом 4 секунд.

ДОДАВАННЯ ПОСУДУ

Не вимикаючи машину, обережно відчиніть дверцята, уникаючи розбрикування води (індикатор **ПУСК/Пауза** почне блимати) (**Остерігайтеся! гарячої пари!**) і покладіть посуд до посудомийної машини. Натисніть кнопку **ПУСК/Пауза** й зачиніть дверцята протягом 4 сек., виконання циклу продовжиться з того моменту, на якому він був перерваний.

НЕПЕРЕДБАЧЕНІ ВИМКНЕННЯ

Якщо під час циклу миття буде відчинено дверцята або якщо станеться відключення живлення, виконання циклу буде зупинено. **ЛИШЕ ЯКЩО ВИ НАТИСНЕТЕ** кнопку **ПУСК/Пауза** й зачините дверцята протягом 4 секунд, виконання циклу продовжиться з того моменту, на якому він був перерваний.

РЕКОМЕНДАЦІЇ ЩОДО ЗАОЩАДЖЕННЯ ЕЛЕКТРОЕНЕРГІЇ

- Якщо побутова посудомийна машина використовується відповідно до інструкцій виробника, **на миття посуду в посудомийній машині зазвичай витрачається МЕНШЕ ЕНЕРГІЇ та води, ніж при ручному митті посуду.**
- Щоб досягти максимальної ефективності посудомийної машини, **рекомендується розпочинати цикл миття після повного завантаження посудомийної машини.** Завантаження побутової посудомийної машини до зазначеної виробником кількості, сприятиме економії енергії та води. Інформацію про правильне завантаження столового посуду можна знайти в розділі «ЗАВАНТАЖЕННЯ КОШИКІВ». У разі часткового завантаження рекомендується використовувати спеціальні опції миття, якщо вони доступні (Половина завантаження/Зона миття/Мультизона), заповнення лише обраних кошиків. Неправильне завантаження або надмірне завантаження посудомийної машини може призвести до збільшення використання ресурсів (таких як вода, енергія та час, а також підвищення рівня шуму), знизивши при цьому продуктивність очищення та сушіння.
- Попереднє ополіскування предметів посуду вручну призводить до збільшення споживання води та енергії і не рекомендується.

ГІГІЄНА

Щоб уникнути виникнення запаху і осаду, який може накопичуватися у посудомийній машині, **щонайменше один раз на місяць необхідно запускати високотемпературну програму.** Щоб очистити прилад, використайте чайну ложку миючого засобу і запустіть цикл без завантаження посуду.

МОРОЗОСТІЙКІСТЬ

Якщо прилад розміщено в місці, де існує ризик замерзання, з нього **необхідно повністю злити воду.** Закрийте водопровідний кран, зніміть вхідний і вихідний шланги та дайте всій воді стекти. **Переконайтеся, що контейнер для солі наповнено розчином солі для регенерації пом'якшувача води,** щоб забезпечити захист приладу від впливу низьких температур (до -20 °C).

Якщо прилад зберігався на морозі, перед першим запуском його потрібно витримати при температурі 5 °C або вище **щойменше 24 години.**

ТАБЛИЦЯ ПРОГРАМ

Програма	Опис програм	Стадія сушіння	NaturalDry	Доступні опції *)	Тривалість програми миття (г:хв)**	Споживання води (літрів/цикл)	Споживання електроенергії (кВтг/цикл)
Еко	Еко 50° - Програма Еко підходить для очищення помірно забрудненого посуду оскільки вона є найбільш ефективною з точки зору сукупного споживання енергії і води, і оскільки вона використовується для оцінки відповідності екологічних вимог до конструкції в рамках Європейських норм.	✓	✓		4:00	9,5	0,65
	Прискорена 45° - Програму рекомендовано застосовувати для невеликої кількості незначно забрудненого посуду без засохлих залишків їжі. Без фази сушіння.	-	✓		0:30 - 0:40	10,0 - 12,0	0,55 - 0,65
	Криштал 45° - Програма для крихкого посуду, який є більш чутливим до впливу високих температур, наприклад склянки та чашки.	✓	✓		1:40 - 1:50	12,5 - 16,5	0,95 - 1,20
	Авто Інтенсивна 65° - Автоматична програма для сильно забруднених каструль і тарілок.	✓	✓		2:25 - 3:10	15,5 - 24,5	1,30 - 1,70
	Авто Змішана 55° - Автоматична програма для посуду зі звичайним рівнем забрудненості з засохлими залишками їжі.	✓	✓		1:20 - 3:00	7,5 - 19,5	0,75 - 1,20
	Авто Швидка 50° - Автоматична програма для посуду зі звичайним і незначним рівнем забрудненості. Щоденний цикл, який забезпечує оптимальну ефективність очищення та сушіння у найкоротший термін.	✓	✓		1:00 - 1:50	7,5 - 15,5	0,70 - 1,10
	Попереднє прання - Використовуйте для замочування посуду, який плануєте помити пізніше. У цій програмі не використовуватиметься миючий засіб.	-	✓		0:12	4,5	0,10
	Самоочищення 65° - Програму, призначену для технічного обслуговування посудомийної машини, необхідно виконувати, лише коли посудомийна машина ПОРОЖНЯ, з використанням спеціальних миючих засобів, призначених для обслуговування посудомийної машини.	-	-		1:15	11,0	1,10

Дані програми «ЕКО» виміряно у лабораторних умовах відповідно до європейського стандарту EN 60436:2020.

Примітка для контрольно-випробних лабораторій: щодо інформації з умов проведення порівняльних випробувань EN, зверніться за адресою: dw_test_support@whirlpool.com

Жодна програма не передбачає попередню обробку посуду.

*) Не всі опції можуть бути використані одночасно.

**) Значення, наведені для інших програм, крім програми «ЕКО», є орієнтовними. Фактичний час може змінюватися у залежності від багатьох факторів, таких як температура і тиск води на впуск, кімнатна температура, кількість миючого засобу, кількість і тип завантаженого посуду, балансування завантаження, додаткові обрані опції і калібрування датчика. Через калібрування датчика тривалість виконання програми може збільшитися на період до 20 хв.

ОПЦІЇ ТА ФУНКЦІЇ

ОПЦІЇ можна вибрати (або скасувати їх вибір) після вибору програми, натиснувши відповідну кнопку (за наявності загориться світлодіодний індикатор) (див. ПАНЕЛЬ КЕРУВАННЯ). Якщо опція є несумісною з обраною програмою (див. ТАБЛИЦЯ ПРОГРАМ), відповідний світлодіодний індикатор швидко блимне 3 рази і пролунає звуковий сигнал. Опцію не буде активовано. Якщо вибрати опцію, то час виконання програми, а також обсяг споживання води чи електроенергії можуть змінитися.

POWER CLEAN® - Завдяки додатковим потужним розпилювачам ця опція забезпечує більш ефективніше й більш інтенсивніше миття посуду в конкретній області нижнього кошика. Ця опція рекомендується для миття каструль і горщиків (див. розділ Power Clean®).

ПОЛОВИННЕ ЗАВАНТАЖЕННЯ - Якщо посуду, який необхідно вимити, не дуже багато, рекомендується використовувати режим ПОЛОВИННЕ ЗАВАНТАЖЕННЯ для економії води, електрики або часу (залежно від вибраної програми). **Не забувайте зменшити кількість миючого засобу.**

ДОДАТКОВЕ ВИСУШУВАННЯ - Більш висока температура під час останнього ополіскування, подовжений цикл сушіння, що дозволяє поліпшити цей процес. Використання опції ДОДАТКОВЕ ВИСУШУВАННЯ збільшує цикл миття.

SILENT (ТИХЕ МИТТЯ) - підходить для роботи приладу в нічний час. Цю опцію можна використовувати для обмеження шуму під час фаз миття. Тривалість циклу може збільшитися залежно від вибору основного циклу.

SANI RINSE (Ополіскування при більш високій температурі) - Цю опцію можна використовувати для дезінфікування вимитого посуду. Відбувається збільшення температури ополіскування і до вибраної програми додається антибактеріальне промивання. Ідеально підходить для очищення посуду та пляшечок для годування. Дверцята посудомийної машини мають бути закритими протягом всього циклу виконання програми, щоб гарантувати зменшення кількості мікробів. **ПОПЕРЕДЖЕННЯ: посуд і тарілки можуть бути дуже гарячим у кінці циклу.**

DELAY (ЗАТРИМКА) - Запуск програми може бути відкладено на період від 30 хв. до 24 год.

1. Виберіть програму та потрібні необхідні опції. Натисніть кнопку ЗАТРИМКА (кілька разів) для налаштування затримки запуску програми. Діапазон налаштування часу затримки: від 30 хв. до 24 год. Після значення 24 год. натискання кнопки ЗАТРИМКА вимикає функцію затримки.

2. Натисніть кнопку ПУСК/Пауза й зачиніть дверцята протягом 4 сек. Таймер розпочне зворотний відлік.

3. Після закінчення встановленого часу індикатор згасне, і автоматично почнеться виконання програми.

Функція ЗАТРИМКА недоступна, коли вже розпочато виконання програмид.

INVERTER MOTOR (ІНВЕРТОРНИЙ ДВИГУН)

ЧАС НА ПІДЛОЗІ - Свічення світлодіодного індикатора, що відбивається від підлоги, показує, скільки часу залишилося до кінця циклу. Світло згасає при кожному відчиненні дверцят. Світло згасає в кінці циклу. Ця функція активна за умовчанням, але її можна деактивувати в (МЕНЮ НАЛАШТУВАНЬ).

Попередження ВИДАЛЕННЯ НАКИПУ - На внутрішніх компонентах пристрою виявлено вапняний наліт. Перевірте, чи правильно встановлена Жорсткість Води та чи є сіль у відсіку для солі (див. ПЕРШЕ ВИКОРИСТАННЯ), а тоді запустіть програму Самоочищення з використанням засобу для видалення накипу (рекомендується марка WPro). Після видалення накипу значок з попередженням згасне. Якщо не виконати цю процедуру, ККД пристрою може знизитися. Попередження ВИДАЛЕННЯ НАКИПУ почне блимати, а на дисплеї з'явиться напис «dES». Якщо не вжити потрібних заходів, машина дозволить запустити тільки певну кількість циклів (вказану біля напису «dES»), а тоді пристрій ЗАБЛОКУЄТЬСЯ для запобігання пошкодження компонентів — **буде доступна тільки програма Самоочищення**. Для розблокування машини треба буде виконати процедуру видалення накипу. У разі надмірно великої кількості вапняного нальоту цю процедуру, можливо, доведеться виконувати двічі.

НАТУРАЛДРАЙ (NaturalDry) - Це система конвекційного сушіння, яка автоматично відкриває дверцята під час/після етапу сушіння, щоб забезпечувати високу якість сушіння щодня. Дверцята відчиняються лише за температури, безпечної для ваших кухонних меблів, тому протягом виконання програми SANI RINSE (Ополіскування при більш високій температурі) дверцята залишатимуться заблокованими. В якості додаткового захисту від випаровування в комплект посудомийної машини входить спеціальна захисна плівка. Щоб подивитися, як встановлювати захисну плівку, див. ПОСІБНИК З МОНТАЖУ. Ця функція є активною за замовчуванням, але її можна відключити в «МЕНЮ НАЛАШТУВАНЬ».

ВИЗНАЧЕННЯ ЗАБРУДНЕНOSTI - Коли датчик визначає ступінь забрудненості, на дисплеї з'являється анімоване зображення (приблизно на 20 хв), а тривалість циклу оновлюється. Ця опція стосується визначення ступеню забрудненості посуду й присутня для всіх циклів (окрім Еко). Налаштування програми змінюються відповідним чином.

ПЕРЕКРИТО ВОДОПРОВІДНИЙ КРАН. - Тривога - Блимає, коли на впуск не поступає вода або водопровідний кран закритий.

ЗАВАНТАЖЕННЯ КОШИКІВ

МІСТКІСТЬ: 15 стандартних комплектів посуду

ВІДДІЛЕННЯ ДЛЯ СТОЛОВИХ ПРИБОРІВ

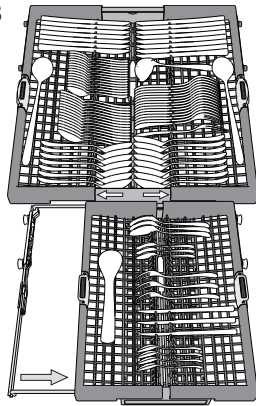
Третій кошик передбачено для розміщення столових приборів.

Розміщуйте столові прибори, як показано на малюнку.

Роздільне розташування столових приборів полегшує їх збирання після миття і дозволяє підвищити ефективність миття та сушіння.

Ножі та інші столові прибори з гострими краями необхідно класти лезами донизу.

Відділення для столових приборів оснащено двома зсувними бічними лотками для розширення простору нижньої частини по висоті і можливості завантаження високого посуду у верхній кошик

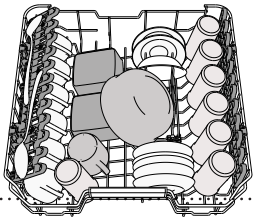


ВЕРХНІЙ КОШИК

Завантажуйте сюди легкий і крихкий посуд: склянки, чашки, блюдця, низькі салатниці.

Верхній кошик має відкидні опори, які можна встановлювати у вертикальне положення при розміщенні чайних/ десертних блюдець або у нижнє положення для завантаження мисок і контейнерів для харчових продуктів.

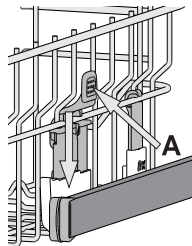
(приклад завантаження для верхнього кошика)



Регулювання висоти верхнього кошика

Висоту верхнього кошика можна регулювати: верхнє положення дозволяє розміщувати у нижньому кошику об'ємний посуд, а встановлення більшості відкидних опор у нижньому положенні дозволяє вивільнити більше місця зверху і уникнути зіткнення з посудом, завантаженим у нижній кошик.

Верхній кошик оснащено **Регулятором висоти верхнього кошика** (див. малюнок), не натискаючи на важелі підніміть його, просто тримаючи за бічні сторони, поки кошик не опиниться у верхньому положенні. Для повернення у нижнє положення натисніть на важелі **A** на бічних сторонах кошика і перемістіть його вниз.



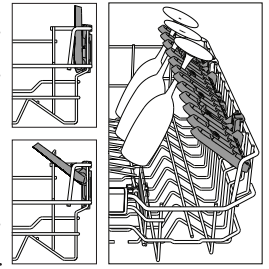
Настійно рекомендуємо не виконувати регулювання висоти кошика, коли у ньому знаходиться посуд. НИКОЛИ не піднімайте та не опускайте тільки одну зі сторін кошика.

Складані полицки з регулюємим положенням

Бічні складані полицки можна скласти або розкласти, щоб оптимізувати розташування посуду на решітці. Келихи можна надійно встановити на складаних полицках, вставивши ніжку кожного келиха у відповідний паз.

Залежно від моделі:

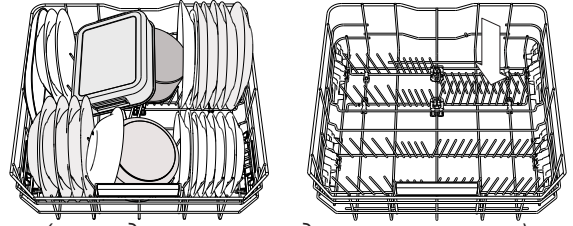
- щоб розкласти полицки, необхідно посунути їх вгору і повернути або витягти з засувки і потягнути вниз.
- щоб скласти полицки, необхідно повернути їх і посунути вниз або потягнути вгору і прикріпити полицки до засувки.



НИЖНІЙ КОШИК

Призначений для кастрюль, кришок, тарілок, салатниць, столових приборів і т.д. Великі тарілки і кришки мають бути ідеально розміщені з боків, щоб вони не заважали роботі розбризкувача.

Нижній кошик має відкидні опори, які можна використовувати у вертикальному положенні при розміщенні тарілок або у горизонтальному (нижньому) положенні для завантаження кастрюль і салатниць.



(приклад завантаження для нижнього кошика)

POWER CLEAN®

У режимі Power Clean® застосовуються спеціальні водяні струмені з задньої частини камери для більш інтенсивного миття сильно забрудненого посуду. Нижній кошик має містку зону, що являє собою спеціальну висувну підставку у її задній частині, яку можна використовувати для підтримання сковорідок з ручками або листів для випічки у вертикальному положенні, завдяки чому вони займають менше місця. Розташували каструлі/горщики у напрямку компонента Power Clean®, активуйте функцію POWER CLEAN® на панелі.

Як використовувати Power Clean®:

1. Відрегулюйте складані задні тримачі тарілок у зоні (G) Power Clean® для завантаження кастрюль.
2. Завантажте каструлі та горщики вертикально під нахилом до зони Power Clean®. Каструлі мають бути обернені до струменів потужного розпилення.



ДОГЛЯД І ТЕХНІЧНЕ ОБСЛУГОВУВАННЯ

ОЧИЩЕННЯ ВУЗЛА ФІЛЬТРУ

Регулярно очищуйте вузол фільтра, щоб не допускати забивання фільтрів і щоб використана вода могла вільно витікати.

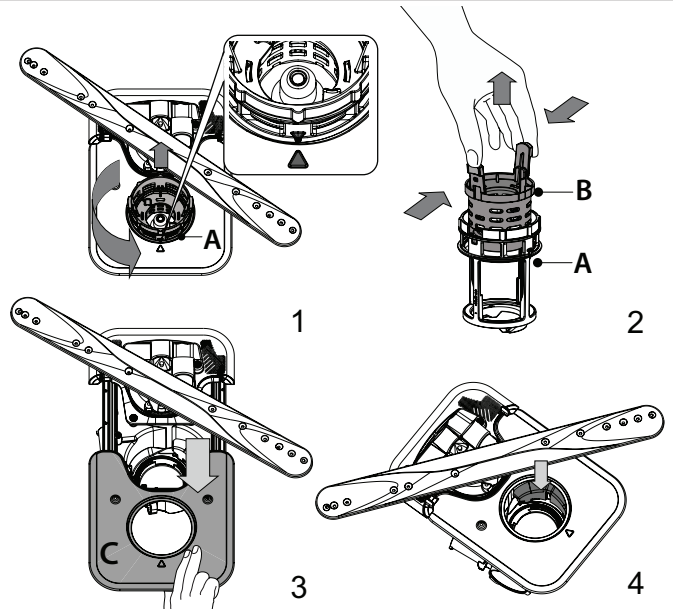
Використання посудомийної машини із засміченими фільтрами або сторонніми предметами всередині системи фільтрації або розбризкувачів може призвести до несправності пристрою, зниження якості миття, шумної роботи приладу або збільшення використовуваних ресурсів. Вузол фільтра складається з трьох фільтрів, які затримують залишки їжі з промивної води і забезпечують рециркуляцію води: для найбільш ефективного миття слід регулярно очищувати їх.

Посудомийну машину не можна використовувати без фільтрів або з незакріпленим фільтром.

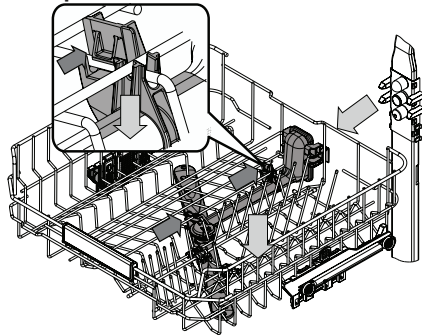
Не рідше одного разу на місяць або після кожних 30 циклів перевіряйте блок фільтра і при необхідності ретельно очищуйте його під проточною водою, використовуючи неметалеву щітку і дотримуючись наведених нижче інструкцій:

1. Поверніть циліндричний фільтр **A** у напрямку проти годинникової стрілки і витягніть його (Мал. 1). **У разі повторного встановлення фільтра важлив, щоб два трикутники на детальному зображенні збіглися.**
2. Зніміть фільтр кришки **B**, легко натиснувши на бічні стулки (Мал. 2).
3. Витягніть пластинчастий фільтр з нержавіючої сталі **C** (Мал. 3).
4. У разі виявлення сторонніх предметів (таких як уламки скла, фарфору, кісток, насіння фруктів і т.д.), **будь ласка, обережно видаліть їх.**
5. Перевірте уловлювач і видаліть усі залишки їжі. **НИКОЛИ НЕ ЗНИМАЙТЕ захисну накладку насоса циклу миття (деталь чорного кольору) (Мал. 4).**

Після очищення фільтрів встановіть вузол фільтра на місце та закріпіть його у цьому положенні належним чином; це дуже важливо для ефективного функціонування посудомийної машини.

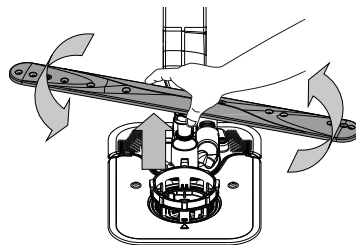


ОЧИЩЕННЯ РОЗБРИЗКУВАЧІВ

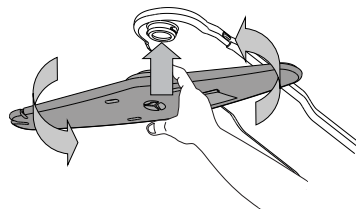


Окремих випадках залишки їжі можуть затвердіти на розбризкувачах і блокувати отвори, призначені для розпилення води. Тому рекомендується час від часу перевіряти розбризкувачі і очищувати їх неметалевою щіткою.

Верхній розбризкувач можна знімати лише разом із патрубком.



Нижній розбризкувач можна зняти, потягнувши його вгору та повернувши проти годинникової стрілки. Щоб встановити розбризкувач на місце, його треба потягнути вниз та повернути за годинниковою стрілкою.




Верхній розбризкувач можна зняти, натиснувши на нього знизу та повернувши проти годинникової стрілки. Щоб встановити розбризкувач на місце, його треба потягнути вгору та повернути за годинниковою стрілкою.

УСУНЕННЯ НЕСПРАВНОСТЕЙ

Якщо посудомийна машина не працює належним чином, перевірте, чи можна усунути проблему, використовуючи наступний список. У разі виникнення інших помилок або проблем звертайтеся до авторизованого сервісного центру, контактні дані якого можна знайти в гарантійному талоні. Запасні частини будуть доступні впродовж терміну до 7 або до 10 років, відповідно до конкретних нормативних вимог.

ПРОБЛЕМИ	МОЖЛИВІ ПРИЧИНИ	РІШЕННЯ
Горить індикатор солі	Контейнер для солі майже порожній.	Заповніть контейнер для солі (докладніші відомості - див. НАПОВНЕННЯ БАЧКА ДЛЯ СОЛІ). За потреби перевірте налаштування жорсткості води - див. ТАБЛИЦЯ ЖОРСТКОСТІ ВОДИ .
Блимає індикатор солі	Контейнер для солі порожній.	Якнайшвидше заповніть контейнер для солі. Використання приладу без солі може спричинити пошкодження внутрішніх компонентів.
Горить або блимає індикатор ополіскувача	Дозатор ополіскувача порожній. (Після поповнення індикатор ополіскувача може залишатися ввімкненим ще деякий час).	Наповніть дозатор ополіскувача (докладніші відомості - див. ЗАПОВНЕННЯ ДОЗАТОРА ОПОЛІСКУВАЧА).
Горить або блимає індикатор накипу; «dES» відображається сигнал попередження про накип.	На внутрішніх компонентах приладу накопичується накип.	Негайно видаліть з приладу накип за допомогою програми Самоочищення та наявного у продажу засобу для видалення накипу (див. ОПЦІЇ ТА ФУНКЦІЇ). Заповніть контейнер для солі. Перевірте налаштування жорсткості води. Якщо не видалити накип, прилад перестане працювати.
Посудомийна машина не запускається або не реагує на команди.	Прилад не підключений до розетки.	Вставте штекер у розетку електроживлення.
	Відключення електропостачання.	З міркувань безпеки посудомийна машина не перезапуститься автоматично після подачі живлення. Відчиніть дверцята посудомийної машини, натисніть кнопку ПУСК/Пауза й зачиніть дверцята протягом 4 секунд.
	Дверцята машини не зачинені. Штифт системи Натуралдрай (NaturalDry) не втягується.	Енергійно натискуйте на дверцята, поки не почуєте звук «кляцання».
	Цикл переривається, якщо дверцята відчинені понад 4 секунди.	Натисніть кнопку ПУСК/Пауза й зачиніть дверцята протягом 4 секунд.
З посудомийної машини не витікає вода. Позначення на дисплеї: F7 E3 або F9 E1	Фільтр закупорений залишками їжі або накипом.	Очистьте фільтр і видаліть з приладу накип (див. ОЧИЩЕННЯ ВУЗЛА ФІЛЬТРУ й ВИДАЛЕННЯ НАКИПУ).
	Перегнуто зливний шланг.	Перевірте зливний шланг (див. ІНСТРУКЦІЮ З УСТАНОВЛЕННЯ).
	Трубу зливної системи заблоковано.	Очистьте трубу зливної системи.
Посудомийна машина породжує надмірний шум.	Посуд деренчить.	Правильно розташуйте посуд (див. АВАНТАЖЕННЯ КОШИКІВ).
	Утворюється забагато піни.	Неправильно виміряно потрібну кількість мийного засобу, або він не підходить для використання у посудомийних машинах (див. НАПОВНЕННЯ ДОЗАТОРА МИЮЧОГО ЗАСОБУ). Перезапустіть поточний цикл, вимкнувши посудомийну машину і увімкнувши її знову. Після цього виберіть нову програму, натисніть кнопку ПУСК/Пауза й зачиніть дверцята протягом 4 секунд. На цьому етапі не додавайте жодного мийного засобу.
	Посуд було неправильно розміщено.	Правильно розташуйте посуд (див. ЗАВАНТАЖЕННЯ КОШИКІВ).
	Фільтр закупорений залишками їжі або накипом.	Очистьте вузол фільтра (див. ДОГЛЯД І ТЕХНІЧНЕ ОБСЛУГОВУВАННЯ).
Посуд не очищено.	Посуд було неправильно розміщено.	Правильно розташуйте посуд (див. ЗАВАНТАЖЕННЯ КОШИКІВ).
	Коромисла розбризкувача не можуть вільно обертатися, їм перешкоджає посуд.	Правильно розташуйте посуд (див. ЗАВАНТАЖЕННЯ КОШИКІВ). Переконайтеся, що верхній кошик займає правильне положення, і за потреби відрегулюйте (підніміть) його.
	Цикл миття занадто м'який.	Виберіть відповідний цикл миття (див. ТАБЛИЦЯ ПРОГРАМ).
	Утворюється забагато піни.	Неправильно виміряно потрібну кількість мийного засобу або він не підходить для використання у посудомийних машинах (див. НАПОВНЕННЯ ДОЗАТОРА МИЮЧОГО ЗАСОБУ).
	Кришку відділення ополіскувача не закрито належним чином.	Переконайтеся, що кришку дозатора ополіскувача закрито.
	Фільтр закупорений залишками їжі або накипом.	Очистьте фільтр і видаліть з приладу накип (див. ОЧИЩЕННЯ ВУЗЛА ФІЛЬТРУ).
Контейнер для солі порожній.	Наповніть контейнер для солі (див. НАПОВНЕННЯ БАЧКА ДЛЯ СОЛІ).	

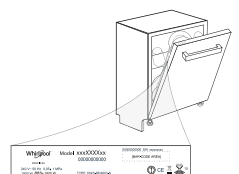
ПРОБЛЕМИ	МОЖЛИВІ ПРИЧИНИ	РІШЕННЯ
Посудомийна машина не набирає воду. Позначення на дисплеї: H₂O і  горить індикатор; лунає звуковий сигнал.	Немає води у системі водопостачання або закритий кран.	Переконайтеся, що є напір у системі водопостачання і що кран відкрито.
	Перегнуто впускний шланг.	Перевірте впускний шланг (<i>див. ВСТАНОВЛЕННЯ</i>). Відчиніть дверцята посудомийної машини, натисніть кнопку ПУСК/Пауза й зачиніть дверцята протягом 4 секунд.
	Засмічена сітка на впускному шлангу; її потрібно очистити.	Перевірте й очистьте сітку на впускному шлангу. Відчиніть дверцята посудомийної машини, натисніть кнопку ПУСК/Пауза й зачиніть дверцята протягом 4 секунд.
Посудомийна машина закінчує цикл передчасно. Позначення на дисплеї: F8 E3	Фільтр закупорений залишками їжі або накипом.	Очистьте фільтр і видаліть з приладу накип (<i>див. ОЧИЩЕННЯ ВУЗЛА ФІЛЬТРУ й ВИДАЛЕННЯ НАКИПУ</i>).
	Занадто низько розташований зливний шланг або зливання в домашню каналізаційну систему.	Перевірте, чи встановлений на правильній висоті кінець зливного шланга (<i>див. ВСТАНОВЛЕННЯ</i>). Перевірте наявність сифона в домашній каналізації, за потреби встановіть запобіжник підсмоктування стічної рідини/клапан впуску повітря.
	Утворюється забагато піни.	Неправильно виміряно потрібну кількість миючого засобу або він не підходить для використання у посудомийних машинах (<i>див. НАПОВНЕННЯ ДОЗАТОРА МИЮЧОГО ЗАСОБУ</i>).
Посуд погано просушується.	Повітря у водопроводі.	Перевірте подачу води на предмет витоків або інших проблем, пов'язаних з проникненням повітря в систему.
	Не використовується ополіскувач, або його кількість недостатня.	Переконайтеся, що дозатор ополіскувача наповнено (<i>див. ЗАПОВНЕННЯ ДОЗАТОРА ОПОЛІСКУВАЧА</i>). Самі лише багатофункціональні таблетки не забезпечать такого ефекту просушування, як рідкий ополіскувач.
	Посуд було вивантажено після автоматичного відчинення дверцят, але до фактичного завершення циклу.	Перш ніж вивантажувати посуд, переконайтеся, що цикл завершено (<i>див. ЩОДЕННЕ ВИКОРИСТАННЯ</i>). Для кращого просушування рекомендовано залишити посуд у посудомийній машині з відчиненими дверцятами ще на 15 хвилин після завершення циклу.
	Посуд стоїть занадто рівно.	Якщо Ви помітили калюжі води в чашках, кувалках або мисках, спробуйте завантажувати посуд (особливо у верхній кошик) під більшим нахилом, щоб до початку сушіння більше води стікало вниз.
Посуд виготовлений з антипригарного матеріалу або пластмаси.	У вибраному циклі немає фази сушіння.	Перевіряйте за ТАБЛИЦЕЮ ПРОГРАМ , чи має вибрана програма фазу сушіння. Цикл без фази сушіння може не забезпечувати потрібної ефективності сушіння, тому рекомендовано вибрати цикл, який передбачає фазу сушіння.
	Посуд виготовлений з антипригарного матеріалу або пластмаси.	Наявність певної кількості крапель води, що залишаються на матеріалі цього типу, — нормальне явище.
Посуд і скло мають синюватий відтінок, або на них залишились сині сліди.	Дозування ополіскувача є надмірним.	Встановіть нижче значення дозування.
Посуд і скло покриті накипом або білуватим нальотом.	Контейнер для солі порожній.	Якнайшвидше заповніть контейнер для солі. Використання приладу без солі може спричинити пошкодження внутрішніх компонентів.
	Установлено занижене значення жорсткості води.	Збільште значення (<i>див. ТАБЛИЦЯ ЖОРСТКОСТІ ВОДИ</i>).
	Кришку контейнера для солі закрито неправильно.	Перевірте й закрийте кришку контейнера для солі.
На посудомийній машині відображається F8 E5	Контейнер для ополіскувача порожній, або вибрано неправильне дозування (ополіскувача замало).	Наповніть дозатор ополіскувача й перевірте налаштування дозування (докладнішу інформацію - <i>див. ЗАПОВНЕННЯ ДОЗАТОРА ОПОЛІСКУВАЧА</i>).
	Клапан заблоковано або пошкоджено.	Якщо це можливо, закрийте водопровідний кран. Не вимикайте електроживлення. Викличте спеціаліста.



З політикою компанії, нормативною документацією, інформацією про замовлення запасних частин та додатковою інформацією про продукт можна ознайомитися:

- Використовуючи QR-код і відвідавши наш сайт: docs.whirlpool.eu
- Відвідавши наш сайт: parts-selfservice.whirlpool.com
- Або зверніться до нашої служби післяпродажного обслуговування клієнтів (номер телефону зазначено у гарантійному талоні). Звертаючись до центру післяпродажного обслуговування, повідомте коди, зазначені на табличці з паспортними даними виробу.

Інформацію про модель можна отримати, скориставшись вказаним на маркуванні енергоефективності QR-кодом. На етикетці також зазначений ідентифікатор моделі, який можна використовувати для перегляду порталу реєстру за адресою <https://eprel.ec.europa>





GRAZIE PER AVER ACQUISTATO UN PRODOTTO WHIRLPOOL.
Per ricevere assistenza in modo più completo, registrare il proprio apparecchio sul sito: www.whirlpool.eu/register

Prima di utilizzare l'apparecchio, legga attentamente le Istruzioni di sicurezza e di installazione. Maggiori informazioni sul prodotto disponibili sul sito web: docs.whirlpool.eu



Dopo l'installazione, ricordarsi di rimuovere tutte le parti di protezione per il trasporto dalla lavastoviglie.

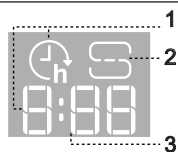
CONTROL PANEL



1. Tasto **ACCENSIONE-SPEGNIMENTO/Ripristino** con relativa spia
2. Tasto **programma Eco** con relativa spia
3. Tasto **programma Rapido** con relativa spia/ **programma Prelavaggio** - pressione di 3 sec.
4. Tasto **programma Cristalli** con relativa spia/ **programma Autopulente** - pressione di 3 sec.
5. Tasti **programmi Automatici** con spie luminose - **Auto Intensivo 65°/ Auto Misto 55°/ Auto Rapido 50°**
6. Spia serbatoio **Sale vuoto**
7. Spia serbatoio **Brillantante Vuoto**
8. **Display**

9. **Numero di programma** e indicatore di **durata residua**
10. Spia **Rubinetto Acqua Chiuso**
11. Spia **DECALCIFICAZIONE**
12. Tasti **opzioni Extra** con spie luminose - **Mezzo Carico/Silenzioso/Antibatterico**
13. Tasto **opzione Power Clean®** con relativa spia
14. Tasto **opzione Extra Asciutto** con relativa spia/ **Impostazioni** - pressione di 3 sec.
15. Tasto **opzione Avvio Ritardato** con relativa spia
16. Tasto **AVVIO/Pausa** con relativa spia

DISPLAY A PAVIMENTO



1. **Tempo di attesa sul pavimento** - indicatore del tempo mancante all'inizio del ciclo, quando l'opzione Attesa è impostata
2. **Serbatoio del sale vuoto** - spia luminosa a pavimento
3. **Tempo residuo a pavimento** - indicatore del tempo residuo fino al termine del ciclo

PRIMO UTILIZZO

MENU IMPOSTAZIONI

1. Azionare l'apparecchio premendo il tasto **ACCENSIONE/SPEGNIMENTO** (⏻).
2. Tenere premuto il tasto **Impostazioni** (Extra Asciutto) (⏻) per 3 secondi, finché non si udirà un bip e il display visualizzerà "SET" (Impostato).
3. Dopo un secondo, verrà visualizzata la prima impostazione disponibile (lettera "h").
4. Premere **programmi Automatici** (⏻) / **opzioni Extra** (⏻) per scorrere in avanti e indietro l'elenco delle impostazioni disponibili (vedere la tabella sottostante), quindi premere **AVVIO/Pausa** (▶) per visualizzare e modificare il valore dell'impostazione attualmente selezionata.
5. Premere **programmi Automatici** (⏻) / **opzioni Extra** (⏻) per modificare in avanti o indietro il valore, quindi premere **AVVIO/Pausa** (▶) per salvare il nuovo valore.
6. Per modificare un'altra impostazione, ripetere i punti 2 e 5.
7. Premere **ACCENSIONE/SPEGNIMENTO** (⏻) o attendere 30 secondi per uscire dal menu.

Impostazione della durezza dell'acqua

Per consentire che il dispositivo addolcente dell'acqua agisca al meglio, è essenziale che l'impostazione del livello di durezza dell'acqua tenga conto della sua durezza effettiva nell'utenza domestica. È possibile ottenere il valore di durezza dell'acqua nell'utenza domestica rivolgendosi al proprio fornitore. L'impostazione di fabbrica è "3". Vedere „TABELLA DELLA DUREZZA DELL'ACQUA". Per effettuare modifiche, seguire le istruzioni riportate nella sezione „MENU IMPOSTAZIONI".

Utilizzare soltanto sale di tipo specifico per lavastoviglie.

Tabella della durezza dell'acqua

Livello	°dH	°fH	°Clark
	Gradi tedeschi	Gradi francesi	Gradi inglesi
1 (dolce)	0 - 6	0 - 10	0 - 7
2 (moderatamente dolce)	7 - 11	11 - 20	8 - 14
3 (medio)	12 - 16	21 - 29	15 - 20
4 (dura)	17 - 34	30 - 60	21 - 42
5 (molto dura)	35 - 50	61 - 90	43 - 62

Dopo aver versato il sale all'interno della macchina, la spia riempimento SALE si spegne.

La mancanza di sale nel serbatoio potrebbe danneggiare l'addolcitore d'acqua e la resistenza per effetto dell'accumulo di calcare. L'uso del sale è consigliato con qualsiasi tipo di detersivo per lavastoviglie.

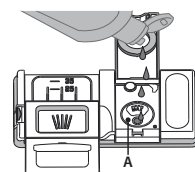
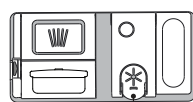
SISTEMA DI ADDOLCIMENTO DELL'ACQUA

L'addolcitore riduce automaticamente la durezza dell'acqua, impedendo la formazione di calcare sulla serpentina e contribuendo a migliorare l'efficienza di lavaggio. **Questo sistema si rigenera con il sale, che deve essere perciò rabboccato quando il serbatoio del sale è vuoto.** La frequenza di rigenerazione dipende dal livello di durezza impostato - con la durezza dell'acqua impostata al livello 3, la rigenerazione avviene ogni 4-6 cicli Eco. Il processo di rigenerazione avviene all'inizio del ciclo con acqua fresca aggiuntiva.

- Ogni rigenerazione comporta: un consumo di ~3 litri d'acqua;
- Un prolungamento di 5 minuti della normale durata del ciclo;
- Un consumo di energia minore di 0,005 kWh.

RIEMPIMENTO DEL DISTRIBUTORE BRILLANTANTE

L'utilizzo di brillantante facilita il processo di ASCIUGATURA delle stoviglie. Il distributore di brillantante **A** deve essere riempito ogni volta che a spia dell'indicatore di RIEMPIMENTO BRILLANTANTE (⚡) sul pannello comandi è illuminata.



1. Aprire il distributore **B** esercitando opportuna pressione e quindi sollevando la linguetta posta sul coperchio.
2. Versare delicatamente il brillantante fino al segno che indica il livello di riferimento

massimo (110 ml), ma evitandone la fuoriuscita. Nel caso in cui ciò si verifici, asciugare immediatamente il liquido fuoriuscito mediante un panno asciutto.

3. Abbassare il coperchio fino ad avvertire lo scatto che ne segnala la chiusura. **Non versare MAI il brillantante direttamente all'interno della vaschetta.**

LETTERA	IMPOSTAZIONE	VALORI (Predefinito - in grassetto)
h	Grado di durezza dell'acqua (vedere "IMPOSTAZIONE DELLA DUREZZA DELL'ACQUA" e "TABELLA DELLA DUREZZA DELL'ACQUA")	1 2 3 4 5
i	Livello del brillantante (vedere "REGOLAZIONE DEL DOSAGGIO DI BRILLANTANTE")	0 1 2 3 4 5
j	NaturalDry (vedere "OPZIONI E FUNZIONI") "1" = Accese, "0" = Spente	1 0
k	Ora sul pavimento (vedere "OPZIONI E FUNZIONI") "1" = Accese, "0" = Spente	1 0
l	Segnale acustico "1" = Accese, "0" = Spente	1 0
m	Impostazioni di fabbrica Premere AVVIO/Pausa per ripristinare i valori di fabbrica di tutte le impostazioni incluse nel menu delle impostazioni.	-

RIEMPIMENTO DEL SERBATOIO SALE

L'uso di sale previene la formazione di CALCARE sulla superficie dei piatti e sui componenti della macchina. Il serbatoio del sale si trova nella parte inferiore della lavastoviglie (sotto il cestello inferiore sul lato sinistro).

- È indispensabile che **IL SERBATOIO DEL SALE NON SIA MAI VUOTO.**
- È essenziale quindi che il livello di durezza dell'acqua sia stato impostato.
- Il sale deve essere inserito quando la spia **RIEMPIMENTO SALE** (S) sul pannello comandi è accesa.



1. Togliere il cestello inferiore e svitare il tappo del serbatoio (ruotare in senso antiorario).
2. Sistemare opportunamente l'imbuto (vedere figura) e rifornire il serbatoio del sale fino all'orlo (circa 0,5 kg); Non è inconsueto che l'acqua trabocchi leggermente.
3. **Solo la prima volta: riempire d'acqua il serbatoio del sale.**
4. Togliere l'imbuto ed eliminare qualsiasi residuo di sale dall'areacircostante l'apertura.

Accertarsi che il tappo sia adeguatamente serrato per evitare l'ingresso di detersivo all'interno della vaschetta durante il programma di lavaggio (ciò potrebbe causare il danneggiamento del dispositivo addolcente senza possibilità di ripa razione).

Eseguire un programma ogni volta che si completa il riempimento del serbatoio del sale per evitare la corrosione.

Regolazione del dosaggio di brillantante

Se non si è completamente soddisfatti del processo di asciugatura, è possibile regolare la quantità di brillantante da utilizzare.

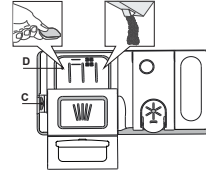
Per effettuare modifiche, seguire le istruzioni riportate nella sezione „MENU IMPOSTAZIONI”.

Nel caso in cui il livello di brillantante sia impostato su ZERO, il brillantante non viene erogato. In caso di esaurimento del brillantante la spia BRILLANTANTE INSUFFICIENTE non è illuminata. A seconda del modello di lavastoviglie è possibile impostare al massimo 6 livelli.

- In presenza di strisce con sfumature blu sulla superficie dei piatti, impostare un livello di dosaggio basso (0-3).
- In presenza di gocce d'acqua o di calcare sulla superficie dei piatti impostare invece dosaggi alti (4-5).

RIEMPIMENTO DEL DISTRIBUTORE DETERATIVO

Per aprire il distributore detersivo utilizzare il dispositivo di apertura C. Versare il detersivo esclusivamente nel distributore D asciutto. Mettere la dose di detersivo per il prelavaggio direttamente all'interno del distributore.



1. Per il dosaggio corretto del detersivo fare riferimento ai dati sopra riportati. La vaschetta D contiene indicatori di livello per facilitare il dosaggio del detersivo.
2. Eliminare eventuali residui di detersivo dai bordi del distributore e chiudere il coperchio fino ad avvertire lo scatto caratteristico.
3. Chiudere il coperchio del distributore sollevandolo fino a portare il dispositivo di chiusura in sede.

Il distributore del detersivo si apre automaticamente quando previsto dal programma in uso.

L'uso di un detersivo non specifico per lavastoviglie potrebbe causare malfunzionamenti o danni all'apparecchio.

USO QUOTIDIANO

1. VERIFICA DEL COLLEGAMENTO ALLA RETE IDRICA

Verificare che la lavastoviglie sia collegata alla rete idrica e che il rubinetto dell'acqua sia aperto.

2. AZIONAMENTO DELLA LAVASTOVIGLIE

Aprire la porta e premere il tasto ACCENSIONE/SPEGNIMENTO.

3. CARICAMENTO DEI CESTELLI (vedere CARICAMENTO DEI CESTELLI).

4. RIEMPIMENTO DEL DISTRIBUTORE DETERATIVO

5. SELEZIONARE IL PROGRAMMA E ADATTARE IL CICLO SECONDO NECESSITÀ

Selezionare il programma più appropriato in base al tipo di stoviglie e al loro livello di sporco (vedere DESCRIZIONE DEI PROGRAMMI) premendo il pulsante PROGRAM selezionato.

Selezionare le opzioni richieste (vedere OPZIONI E FUNZIONI). Non tutte le opzioni sono compatibili con tutti i programmi.

6. AVVIO

Avviare il ciclo di lavaggio premendo il pulsante AVVIO/Pausa (il led è acceso) e chiudendo la porta entro 4 secondi. Quando il programma si avvia, verrà emesso un singolo segnale acustico. Se la porta non viene chiusa entro 4 secondi viene emesso un suono di allarme. In questo caso, aprire la porta, premere il tasto AVVIO/Pausa e richiudere la porta entro 4 sec.

7. FINE DEL CICLO DI LAVAGGIO

La fine del ciclo di lavaggio è indicata da un suono e il display visualizza END (FINE). Aprire la porta e spegnere l'apparecchio premendo il pulsante ACCENSIONE/SPEGNIMENTO. Per evitare bruciature, prima di togliere le stoviglie attendere pochi minuti. Scaricare i cestelli, iniziando da quello inferiore.

MODIFICA DI UN PROGRAMMA IN ESECUZIONE

Se è stato selezionato un programma sbagliato, è possibile cambiarlo, a condizione che sia appena iniziato. RESET della macchina: tenere premuto il pulsante ACCENSIONE/SPEGNIMENTO per più di 3 secondi, e la macchina si spegnerà. Il pannello di controllo mostrerà "0:01".

Chiudere la porta e attendere il termine del ciclo di scarico (circa 1 minuto). Aprire la porta e riaccendere la macchina usando il pulsante ACCENSIONE/SPEGNIMENTO e selezionare il nuovo ciclo di lavaggio e le opzioni desiderate. Avviare il ciclo premendo il pulsante AVVIO/Pausa e chiudendo la porta entro 4 secondi.

AGGIUNTA DI STOVIGLIE EXTRA

Senza spegnere la macchina, aprire prima leggermente la porta per evitare che l'acqua fuoriesca (il led AVVIO/Pausa inizia a lampeggiare) (Attenzione: Vapore caldo!) e mettere le stoviglie nella lavastoviglie. Premere il tasto AVVIO/Pausa e chiudere lo sportello entro 4 secondi; il ciclo riprenderà dal punto in cui era stato interrotto.

INTERRUZIONI ACCIDENTALI

Se la porta viene aperta durante il ciclo di lavaggio, o se si verifica un'interruzione di corrente, il ciclo si interrompe. SOLO SE SI PREME il pulsante AVVIO/Pausa e si chiude la porta entro 4 secondi, il ciclo riprenderà dal punto in cui è stato interrotto.

AVVISI E CONSIGLI

CONSIGLI

Prima di caricare i cestelli, eliminare tutti i residui di cibo dalle stoviglie e vuotare i bicchieri. **Non occorre il risciacquo sotto acqua corrente prima del caricamento.**

Sistemare le stoviglie in modo che rimangano in sede e non si possano ribaltare; e sistemare le vaschette con le aperture rivolte verso il basso e le parti concave/complesse disposte obliquamente, per consentire all'acqua di lavaggio di raggiungere ogni superficie e scorrervi liberamente.

Avvertenza: coperchi, maniglie, vassoi e padelle non devono ostacolare la rotazione degli aspersori.

Riporre tutti gli oggetti di piccole dimensioni nel cestello portaposate.

Quando molto sporche, riporre piatti e pentole nel cestello inferiore poiché nel relativo settore gli aspersori svolgono un'azione più intensa e consentono migliori prestazioni nel lavaggio.

Una volta completata la procedura di carico, accertarsi che gli aspersori possano ruotare liberamente.

STOVIGLIE DI TIPO NON ADATTO

- Stoviglie e posate in legno.
- Bicchieri decorati, pezzi di artigianato e piatti antichi. Le decorazioni non sono sufficientemente resistenti.
- Componenti in materiali sintetici che non resistono alle temperature elevate.
- Stoviglie in rame e stagno.
- Stoviglie sporche di cenere, cera, grasso lubrificante o inchiostro.

Durante la fase di lavaggio i colori delle decorazioni di bicchieri e pezzi in alluminio/argento possono sbiadire. Alcuni tipi di bicchieri (es. i bicchieri in cristallo) possono divenire opachi anche soltanto dopo un certo numero di lavaggi.

DANNEGGIAMENTO DI BICCHIERI E STOVIGLIE

- Utilizzare soltanto bicchieri e porcellane garantite dal produttore per il lavaggio in lavastoviglie.
- Utilizzare un detersivo delicato e adatto al tipo di stoviglie in questione.
- Togliere i bicchieri e gli altri elementi dalla lavastoviglie non appena sia terminato il ciclo di lavaggio.

CONSIGLI PER IL RISPARMIO ENERGETICO

- Se la lavastoviglie viene usata secondo le istruzioni del produttore, il lavaggio delle stoviglie a macchina comporta normalmente un MINORE CONSUMO DI ENERGIA e acqua rispetto al lavaggio a mano.
- Per ottimizzare l'efficienza della lavastoviglie si raccomanda di avviare il ciclo di lavaggio con l'apparecchio a pieno carico. Caricando la lavastoviglie fino alla capacità indicata dal produttore si contribuirà a ridurre i consumi d'acqua e di energia. Per informazioni sul caricamento corretto delle stoviglie, leggere la sezione CARICAMENTO DEI CESTELLI. In caso di carico parziale, si raccomanda di usare le apposite opzioni di lavaggio, se disponibili (Mezzo carico/ Zone Wash/ Multizona), caricando solo i cestelli selezionati. Un caricamento non corretto o eccessivo della lavastoviglie può aumentare il consumo di risorse (acqua, energia e tempo, oltre a una maggiore rumorosità) e ridurre le prestazioni di lavaggio e asciugatura.
- Il pre-risciacquo delle stoviglie comporta un maggiore consumo di acqua ed energia e non è consigliato.

IGIENIZZANTE

Per evitare la formazione di cattivi odori e sedimenti vari all'interno della lavastoviglie avviare un programma che preveda temperature elevate almeno una volta al mese. Per eseguire la pulizia dell'apparecchio utilizzare un cucchiaino di detersivo e avviare il ciclo in assenza di carico.

RESISTENZA AL GELO

Se l'apparecchio è collocato in un locale esposto al pericolo di gelo, occorre svuotarlo completamente. Chiudere il rubinetto dell'acqua e staccare i tubi di alimentazione e di scarico, quindi far defluire l'acqua. **Assicurarsi che l'addolcitore d'acqua sia pieno di sale di rigenerazione disciolto nel relativo contenitore**, per proteggere l'apparecchio da temperature fino a -20°C. Se l'apparecchio è stato immagazzinato in condizioni di gelo, deve rimanere a una temperatura ambiente di min. 5°C per almeno 24 ore prima del primo funzionamento.

TABELLA DEI PROGRAMMI

Programma	Descrizione dei programmi	Fase di asciugatura	NaturalDry	Opzioni disponibili *)	Durata programma di lavaggio (h:min)**)	Consumo d'acqua (litri/ciclo)	Consumo energetico (kWh/ciclo)
Eco	Eco 50° - Il programma è indicato per le stoviglie mediamente sporche; è il programma più efficiente in termini di consumo combinato di acqua ed energia per questo tipo di stoviglie e viene usato per valutare la conformità dell'apparecchio alla legislazione UE in materia di progettazione ecocompatibile.	✓	✓		4:00	9,5	0,65
	Rapido 45° - Il programma è consigliato per una quantità limitata di piatti poco sporchi e senza residui secchi di cibo. Non include la fase di asciugatura.	-	✓		0:30 - 0:40	10,0 - 12,0	0,55 - 0,65
	Crystalli 45° - Programma adatto a oggetti delicati, più sensibili alle temperature elevate, ad esempio bicchieri e tazze.	✓	✓		1:40 - 1:50	12,5 - 16,5	0,95 - 1,20
	Auto Intensivo 65° - Programma automatico per piatti e pentole molto sporchi.	✓	✓		2:25 - 3:10	15,5 - 24,5	1,30 - 1,70
	Auto Misti 55° - Programma automatico per piatti normalmente sporchi e con residui secchi di cibo.	✓	✓		1:20 - 3:00	7,5 - 19,5	0,75 - 1,20
	Auto Rapido 50° - Programma automatico per piatti normalmente e leggermente sporchi. Ciclo quotidiano; permette di ottenere risultati di lavaggio e asciugatura ottimali in un tempo inferiore.	✓	✓		1:00 - 1:50	7,5 - 15,5	0,70 - 1,10
	Prelavaggio - Da utilizzare per sciacquare le stoviglie da lavare successivamente. Questo programma non richiede detersivo.	-	✓		0:12	4,5	0,10
	Autopulente 65° - Programma da utilizzare per la manutenzione della lavastoviglie; deve essere eseguito solo con l'apparecchio VUOTO e usando un detersivo specifico per la manutenzione della lavastoviglie.	-	-		1:15	11,0	1,10

La misurazione dei dati per la creazione del programma ECO avviene in condizioni di laboratorio secondo quanto prescritto dalle norme europee EN 60436:2020 Nota per i laboratori di Prove: per informazioni sulle condizioni della prova comparativa EN, farne richiesta all'indirizzo: dw_test_support@whirlpool.com

Questi programmi non richiedono un pre-trattamento delle stoviglie.

*) Non è possibile selezionare tutte le opzioni contemporaneamente.

**) Ad eccezione del programma Eco, i valori riportati per gli altri programmi sono puramente indicativi. La durata effettiva può dipendere da molti fattori, quali la temperatura e la pressione dell'acqua di alimentazione, la temperatura ambiente, la dose di detersivo utilizzata, la quantità e il tipo di carico e il suo bilanciamento, la selezione di determinate opzioni e la taratura dei sensori. La taratura dei sensori può prolungare la durata dei programmi anche di 20 minuti.

OPZIONI E FUNZIONI

Le OPZIONI possono essere selezionate/deselezionate, dopo aver scelto il programma, direttamente premendo il pulsante corrispondente (se disponibile - l'indicatore si accende) (vedere PANNELLO DI CONTROLLO). In caso di opzione non compatibile con il programma selezionato (vedere TABELLA DEI PROGRAMMI), il LED corrispondente lampeggia 3 volte in rapida successione ed emette i previsti segnali acustici. L'opzione non è in tal caso abilitata. Un'opzione può modificare il tempo o il consumo di acqua o di energia per il programma.

POWER CLEAN® - Grazie ai getti speciali supplementari questa funzione consente un lavaggio più intenso ed efficace nell'area specifica del cestello inferiore. Si raccomanda questa funzione per il lavaggio di pentole e casseruole (fare riferimento alla sezione di caricamento di Power Clean®).

MEZZO CARICO - Se le stoviglie da lavare non sono numerose, la funzione di mezzo carico MEZZO CARICO serve a risparmiare acqua, elettricità o tempo, a seconda del programma selezionato.
Ricordare di ridurre la dose di detersivo.

EXTRA ASCIUTTO - La temperatura più elevata durante il risciacquo finale e la fase di asciugatura prolungata consentono di migliorare l'asciugatura. L'opzione EXTRA ASCIUTTO comporta una maggior durata del ciclo di lavaggio.

AVVIO RITARDATO - L'avvio del programma può essere ritardato per un periodo di tempo compreso tra **30 minuti** e **24 ore**.
1. Selezionare il programma richiesto e qualsiasi opzione necessaria. Per ritardare l'avvio del programma premere (ripetutamente) il tasto **AVVIO RITARDATO**. Regolabile da 30 minuti a 24 ore. Una volta raggiunta l'impostazione di 24 ore, premere il tasto **AVVIO RITARDATO** un'altra volta per disattivare la funzione **AVVIO RITARDATO**.
2. Premere il tasto **AVVIO/Pausa** e chiudere lo sportello entro 4 secondi. Il timer inizierà il conto alla rovescia.
3. Una volta trascorso questo periodo di tempo, la corrispondente spia si spegne e il programma si avvia automaticamente.

Una volta avviato il programma, non è più possibile impostare la funzione AVVIO RITARDATO.

ANTIBATTERICO - Questa opzione può essere usata per disinfettare le stoviglie lavate. Eseguie il risciacquo finale a una temperatura più elevata e aggiunge un ciclo antibatterico al programma selezionato. Ideale per la pulizia di stoviglie in terracotta e biberon. Per garantire un'efficace riduzione dei germi lo sportello della lavastoviglie deve rimanere chiuso per tutta la durata del programma.
AVVERTENZA: al termine del ciclo piatti e stoviglie potrebbero scottare molto.

RILEVAMENTO - Quando il sensore rileva il livello del suolo, sul display appare un'animazione (circa 20 minuti) e la durata del ciclo viene aggiornata. Il RILEVAMENTO riguarda il livello di sporco delle stoviglie ed è presente per tutti i cicli (tranne l'Eco), regolando il programma di conseguenza.

SILENZIOSO - Adatto al funzionamento notturno dell'apparecchio. Questa opzione può essere utilizzata per limitare le emissioni di rumore durante le fasi di lavaggio. Aumenterà la durata del ciclo a seconda della selezione del ciclo base.

NaturalDry - È un sistema di asciugatura a convezione che apre automaticamente lo sportello durante/dopo la fase di asciugatura, per garantire ogni giorno prestazioni di asciugatura eccezionali. Lo sportello si apre ad una temperatura sicura per i mobili della cucina, quindi lo sportello non si aprirà quando è attiva l'opzione **ANTIBATTERICO**. Come ulteriore protezione dal vapore, insieme alla lavastoviglie viene aggiunta una pellicola di protezione appositamente progettata. Per vedere come montare la pellicola di protezione, fare riferimento alle ISTRUZIONI PER L'INSTALLAZIONE. Nell'impostazione predefinita questa funzione è attiva, ma è possibile disattivarla nel "MENU IMPOSTAZIONI".

DECALCIFICAZIONE - Allarme - È stato rilevato un accumulo di calcare sui componenti interni dell'apparecchio. Verificare se l'impostazione della durezza dell'acqua è al valore corretto e se nel contenitore del sale è presente del sale (vedere **PRIMO UTILIZZO**), quindi utilizzare un prodotto decalcificante (si raccomanda il marchio WPro) con il programma **Autopulente**. Dopo una corretta decalcificazione, l'icona smetterà di essere visualizzata.

Se le azioni di cui sopra non vengono eseguite, le prestazioni del prodotto si deteriorano. L'avviso **DECALCIFICAZIONE** inizierà a lampeggiare e l'allarme «dES» apparirà sul display. Se non si interviene, l'apparecchio consentirà di avviare solo un certo numero di cicli (indicato durante la visualizzazione dell'allarme «dES» e quindi si **bloccherà** per evitare danni ai componenti, **rendendo disponibile solo il programma Autopulente**. Eseguendo una decalcificazione completa, il prodotto si sblocca. In caso di quantità estremamente elevate di calcare, potrebbe essere necessario eseguire la decalcificazione due volte per essere efficiente.

RUBINETTO ACQUA CHIUSO - Allarme - Lampeggia, quando non è presente acqua in ingresso o il rubinetto dell'acqua è chiuso.

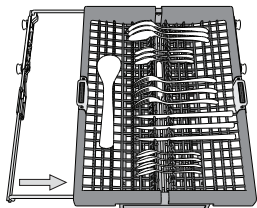
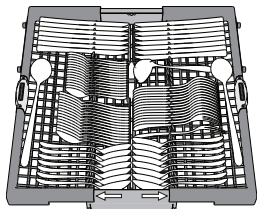
ORA SUL PAVIMENTO - Una luce LED proiettata sul pavimento indica il tempo mancante alla fine del ciclo. La spia si spegne a ogni apertura della porta. La luce si spegne al termine di un ciclo. Nell'impostazione predefinita questa funzione è attiva, ma è possibile disattivarla nel "MENU IMPOSTAZIONI".

CESTELLO PORTAPOSATE

Il terzo cestello è stato progettato per alloggiare le posate durante il lavaggio. La possibilità di sistemare le posate a parte ne rende più semplice la raccolta dopo il lavaggio e migliora le prestazioni sia nella fase di lavaggio che in quella di asciugatura.

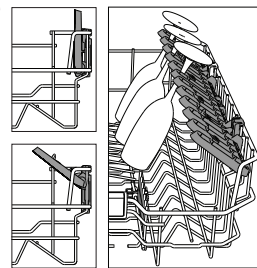
Coltelli e altri utensili con bordi affilati devono essere sistemati con le lame rivolte verso il basso.

Il cestello portaposate è munito di due carrelli scorrevoli per ottimizzare anche lo spazio del cestello inferiore e consentire il caricamento nel cestello superiore di oggetti di una certa altezza.

**Sponde ribaltabili con posizione regolabile**

Le sponde ribaltabili laterali possono essere estese o ripiegate per ottimizzare la disposizione delle stoviglie nel cestello. Si possono disporre i bicchieri da vino nelle sponde ribaltabili in modo assolutamente sicuro, inserendone lo stelo negli appositi spazi. In base al modello:

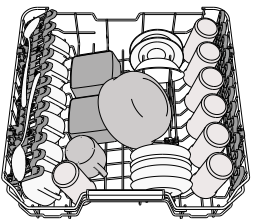
- per estendere le sponde occorre farle scorrere verso l'alto e ruotarle oppure sganciarle dai fermi e abbassarle.
- per ripiegare le sponde occorre ruotarle e farle scorrere verso il basso oppure sollevarle e agganciarle ai fermi.

**CESTELLO SUPERIORE**

Riporvi i piatti poco resistenti e le stoviglie delicate: vetri, tazze, piattini, insalatiere dai bordi bassi.

Il cestello superiore è munito di sponde ribaltabili da utilizzare in posizione verticale per la sistemazione di piattini per tea/dessert oppure in posizione abbassata per consentire il carico di scodelle e recipienti per alimenti.

(esempio di carico del cestello superiore)

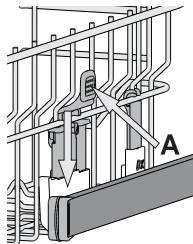
**Regolazione in altezza del cestello superiore**

È possibile regolare del cestello superiore nel senso dell'altezza: la posizione rialzata consente di sfruttare al massimo il cestello inferiore per riporvi le stoviglie di dimensioni ingombranti, mentre la posizione ribassata consente di utilizzare le sponde ribaltabili creando lo spazio che esse richiedono e di evitare urti con gli oggetti caricati nel cestello inferiore.

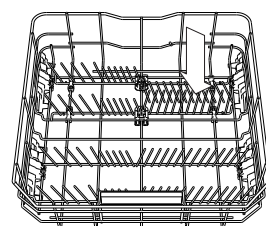
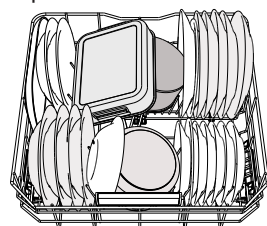
Il cestello superiore è munito di **regolatore in altezza** (vedere figura) che non richiede pressione sulle leve; sollevarlo tenendolo per i lati, non appena si trovi in posizione rialzata.

Per ripristinare la posizione ribassata, agire sulle leve **A** poste ai lati del cestello e abbassare il cestello.

Si raccomanda vivamente di non procedere alla regolazione in altezza di cestelli già caricati. Non rialzare o ribassare MAI il cestello agendo su un lato soltanto.

**CESTELLO INFERIORE**

Per pentole, coperchi, piatti, insalatiere, stoviglie, ecc. In teoria conviene disporre piatti e coperchi di grandi dimensioni ai lati, per evitare interferenze con l'elemento aspersore. Il cestello inferiore è munito di sponde ribaltabili da utilizzare in posizione verticale per la migliore sistemazione dei piatti oppure in posizione orizzontale (abbassata) per consentire il facile carico di scodelle e recipienti per alimenti.



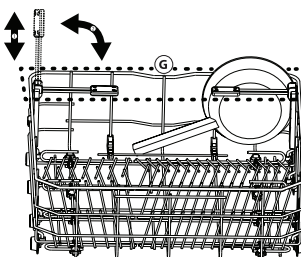
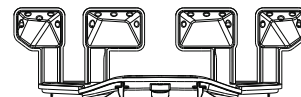
(esempio di carico nel cestello inferiore)

POWER CLEAN®

L'opzione Power Clean® utilizza specifici getti d'acqua nel retro della cavità per ottenere un lavaggio più intensivo delle stoviglie molto sporche. Il cestello inferiore è munito di Space Zone, lo specifico sostegno estraibile posto nella parte posteriore del cestello e utilizzabile per sostenere in posizione verticale pentole e casseruole e ottimizzare in tal modo lo spazio. Nel disporre pentole e casseruole rivolte verso l'elemento Power Clean® attivare la corrispondente opzione POWER CLEAN® dal pannello comandi.

Uso dell'opzione Power Clean®:

1. Regolare l'area Power Clean® (**G**) ripiegando verso il basso i supporti posteriori piatti per caricare le pentole.
2. Caricare le pentole e le casseruole in posizione inclinata verticale nell'area Power Clean®. Le pentole devono essere inclinate verso i potenti getti d'acqua.

**CURA E MANUTENZIONE****PULIZIA DEL GRUPPO FILTRO**

Pulire regolarmente il gruppo filtro in modo che nei relativi elementi non si formino ostruzioni e che l'acqua vi scorra regolarmente.

L'uso della lavastoviglie con i filtri ostruiti, o con oggetti estranei nel sistema filtrante o nei bracci irroratori, può causare malfunzionamenti e determinare una perdita di prestazioni, un aumento della rumorosità o un maggiore consumo di risorse.

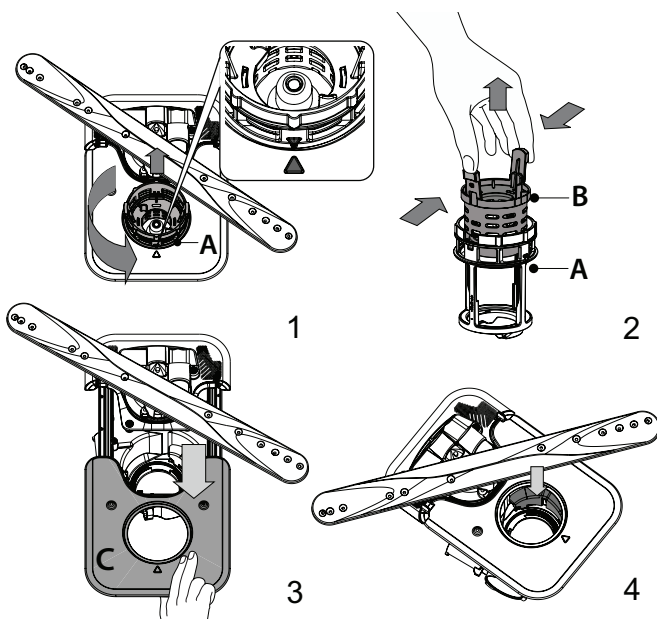
Il gruppo filtro è composto da tre elementi filtranti che eliminano la presenza di residui di cibo dall'acqua di lavaggio, rimettendola in circolo ai fini del programma; per ottenere le migliori prestazioni durante il lavaggio è necessario che tali elementi siano sempre puliti.

Non utilizzare mai la lavastoviglie priva dei filtri o con i filtri allentati.

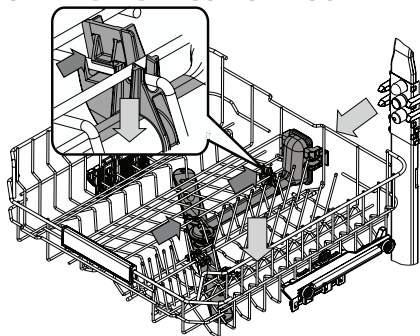
Almeno una volta al mese o ogni 30 cicli di lavaggio, verificare lo stato del gruppo filtro e se necessario pulirlo completamente sotto getto di acqua corrente, servendosi di spazzola metallica e seguendo le istruzioni sotto riportate:

1. Ruotare il filtro cilindrico **A** in senso antiorario, quindi estrarlo (Fig 1). **Quando si reinstalla il filtro, è importante che i due triangoli indicati sullo zoom coincidano.**
2. Smontare il filtro a tazza **B** esercitando una leggera pressione sulle sponde laterali (Fig 2).
3. Far scorrere il filtro a piastra in acciaio inossidabile **C**, fino ad estrarlo (Fig 3).
4. Se si trovano oggetti estranei (frammenti di vetro, porcellana, ossa, semi di frutta, ecc.), **rimuoverli con attenzione.**
5. Esaminare il sifone ed eliminare la presenza di qualsiasi residuo di cibo. **NON TOGLIERE MAI** l'elemento di protezione della pompa di lavaggio (indicato da una freccia) (Fig 4).

Dopo aver pulito i filtri, rimontare il gruppo e fissarlo correttamente in sede ciò è fondamentale per garantire l'efficienza della lavastoviglie.

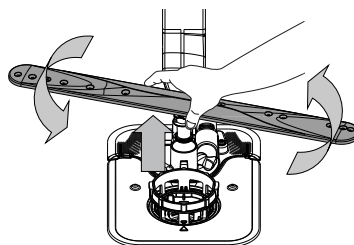


PULIZIA DEI BRACCI ASPERSORI

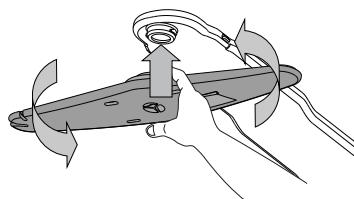


I residui di cibo possono occasionalmente formare incrostazioni sui bracci aspersori e bloccare i fori utilizzati per l'irrorazione dell'acqua. Si raccomanda pertanto di ispezionare di volta in volta i bracci e di pulirli mediante piccola spazzola metallica.

Per rimuovere lo spruzzo superiore, è necessario rimuoverlo insieme al collettore.



Il braccio di spruzzo inferiore può essere rimosso tirandolo verso l'alto e ruotandolo in senso antiorario. Il montaggio posteriore del braccio di spruzzo avviene tirandolo verso il basso e ruotandolo in senso orario.



Il braccio di spruzzo superiore può essere rimosso premendolo verso l'alto e successivamente ruotandolo in senso antiorario. Per rimontare il braccio di spruzzo, tirarlo verso l'alto e ruotarlo in senso orario.

RISOLUZIONE DEI PROBLEMI

Se la lavastoviglie non funziona correttamente, provare a risolvere il problema consultando l'elenco sotto riportato. Per errori o problemi di altro tipo, contattare un Servizio Assistenza Tecnica autorizzato; i dati di contatto sono riportati nel libretto di garanzia. I ricambi saranno disponibili per un periodo fino a 7 o fino a 10 anni, secondo i requisiti specifici del regolamento.

PROBLEMI	POSSIBILI CAUSE	SOLUZIONE
☒ La spia del sale è accesa	Il serbatoio del sale è quasi vuoto.	Riempire il serbatoio con sale (per ulteriori informazioni - vedere <i>RIEMPIMENTO DEL SERBATOIO SALE</i>). Se necessario, verificare l'impostazione della durezza dell'acqua - vedere <i>IMPOSTAZIONE DELLA DUREZZA DELL'ACQUA</i> .
☒ La spia del sale lampeggia	Il serbatoio del sale è vuoto.	Riempire il serbatoio di sale il prima possibile. L'utilizzo dell'apparecchio senza sale può causare danni ai componenti interni.
☀ La spia del brillantante è accesa o lampeggia	Il distributore del brillantante è vuoto. (Dopo il riempimento, la spia del brillantante può rimanere accesa per un breve periodo).	Riempire la vaschetta con un brillantante (per maggiori informazioni - vedere <i>RIEMPIMENTO DEL DISTRIBUTORE BRILLANTANTE</i>).
☒ La spia di decalcificazione è accesa o lampeggia; Viene visualizzato l'allarme „dES“.	Il calcare si sta accumulando sui componenti interni dell'apparecchio.	Decalcificare immediatamente l'apparecchio utilizzando il programma AUTOPULENTE e un prodotto decalcificante disponibile in commercio (vedere <i>OPZIONI E FUNZIONI</i>). Riempire il serbatoio di sale. Verificare l'impostazione della durezza dell'acqua. Se l'apparecchio non viene decalcificato, smetterà di funzionare.
La lavastoviglie non si avvia o i comandi non rispondono.	L'apparecchio non è stato collegato correttamente all'alimentazione elettrica.	Inserire la spina nella presa di corrente.
	Mancanza di corrente.	Per motivi di sicurezza, la lavastoviglie non si riavvierà automaticamente al ritorno della corrente. Aprire la porta, premere il tasto AVVIO/Pausa e richiudere la porta entro 4 secondi.
	Mancata chiusura della porta lavastoviglie. Il perno NaturalDry non viene inserito.	Spingere con decisione la porta fino ad avvertire il caratteristico "click".
	Un ciclo viene interrotto dall'apertura della porta per più di 4 secondi.	Premere AVVIO/Pausa e chiudere la porta entro 4 secondi.
Lo scarico della lavastoviglie non avviene. Sul display viene visualizzato: F7 E3 o F9 E1	Il filtro è intasato da residui di cibo o calcare.	Pulire il filtro e decalcificare l'apparecchio (vedere <i>PULIZIA DEL GRUPPO FILTRO e ISTRUZIONI PER LA DECALCIFICAZIONE</i>).
	Il tubo flessibile di drenaggio è attorcigliato.	Controllare il tubo flessibile di scarico (vedere <i>ISTRUZIONI DI INSTALLAZIONE</i>).
	Tubo di scarico del lavandino ostruito.	Pulire il tubo di scarico del lavandino.
La rumorosità della lavastoviglie è eccessiva.	Le stoviglie si scontrano l'una con l'altra.	Posizionare correttamente le stoviglie (vedere <i>CARICAMENTO DEI CESTELLI</i>).
	È presente una quantità eccessiva di schiuma.	Il detersivo non è stato dosato in modo corretto oppure non è del tipo adatto alle lavastoviglie (vedere <i>RIEMPIMENTO DEL DISTRIBUTORE DETERSIVO</i>). Per riavviare il ciclo in corso, spegnere e riaccendere la lavastoviglie, scegliere un nuovo programma, premere AVVIO/Pausa e chiudere lo sportello entro 4 secondi. Non aggiungere altro detersivo.
	Le stoviglie non sono state disposte correttamente.	Sistemare le stoviglie nel modo corretto (vedere <i>CARICAMENTO DEI CESTELLI</i>).
	Il filtro è intasato da residui di cibo o calcare.	Pulire il gruppo filtro (vedere <i>CURA E MANUTENZIONE</i>).
Le stoviglie non risultano pulite.	Le stoviglie non sono state disposte correttamente.	Sistemare le stoviglie nel modo corretto (vedere <i>CARICAMENTO DEI CESTELLI</i>).
	Impedimento nella rotazione dei bracci aspersori a causa dell'interferenza dei piatti.	Sistemare le stoviglie nel modo corretto (vedere <i>CARICAMENTO DEI CESTELLI</i>). Verificare che il cestello superiore sia nella posizione corretta e, se necessario, regolarlo (sollevarlo).
	Il ciclo di lavaggio è eccessivamente delicato.	Selezionare un ciclo di lavaggio appropriato (vedere <i>TABELLA DEI PROGRAMMI</i>).
	È presente una quantità eccessiva di schiuma.	Il dosaggio del detersivo non è stato stabilito in modo corretto oppure il detersivo non è del tipo adatto alle lavastoviglie (vedere <i>RIEMPIMENTO DEL DISTRIBUTORE DETERSIVO</i>).
	Il tappo del vano del brillantante non è stato chiuso correttamente.	Accertarsi che il tappo sul distributore brillantante sia chiuso.
	Il filtro è intasato da residui di cibo o calcare.	Pulire il filtro e decalcificare l'apparecchio (vedere <i>PULIZIA DEL GRUPPO FILTRO</i>).
Il serbatoio del sale è vuoto.	Riempire il serbatoio del sale (vedere <i>RIEMPIMENTO DEL SERBATOIO SALE</i>).	

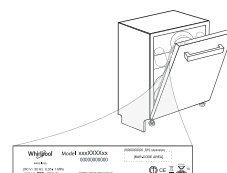
PROBLEMI	POSSIBILI CAUSE	SOLUZIONE
La lavastoviglie non esegue il carico dell'acqua. Il display mostra: H2O e \emptyset si accende; suona l'allarme acustico.	Assenza di alimentazione idrica o rubinetto chiuso.	Assicurarsi che sia presente acqua nella rete idrica e che il rubinetto dell'acqua sia aperto.
	Il tubo flessibile di ingresso dell'acqua è attorcigliato.	Controllare il tubo flessibile di ingresso (<i>vedere INSTALLAZIONE</i>). Aprire la porta, premere il tasto AVVIO/Pausa e richiudere la porta entro 4 secondi.
La lavastoviglie termina il ciclo di lavaggio troppo presto. Il display mostra: F8 E3	La griglia nel tubo flessibile di ingresso dell'acqua è intasata; è necessario pulirlo.	Controllare e pulire la griglia nel tubo flessibile di ingresso dell'acqua. Aprire la porta, premere il tasto AVVIO/Pausa e richiudere la porta entro 4 secondi.
	Il filtro è intasato da residui di cibo o calcare.	Pulire il filtro e decalcificare l'apparecchio (<i>vedere PULIZIA DEL GRUPPO FILTRO e ISTRUZIONI PER LA DECALCIFICAZIONE</i>).
	Il tubo di scarico è posizionato troppo in basso o crea un effetto sifone nell'impianto di scarico domestico.	Controllare che l'estremità del tubo di scarico si trovi all'altezza corretta (<i>vedere INSTALLAZIONE</i>). Verificare la presenza di effetti sifone nel sistema fognario domestico e, se necessario, installare un interruttore sifone/una valvola di ammissione dell'aria.
	È presente una quantità eccessiva di schiuma.	Il dosaggio del detersivo non è stato stabilito in modo corretto oppure il detersivo non è del tipo adatto alle lavastoviglie (<i>vedere RIEMPIMENTO DEL DISTRIBUTORE DETERSIVO</i>).
Le stoviglie non vengono asciugate bene.	Aria nella rete idrica.	Controllare che non vi siano perdite nell'impianto idraulico o altri problemi che causino l'ingresso di aria.
	Il brillantante non è presente o il dosaggio è troppo basso.	Assicurarsi che la vaschetta del brillantante sia piena (<i>vedere RIEMPIMENTO DEL DISTRIBUTORE BRILLANTANTE</i>). Le sole compresse multifunzionali non garantiscono un effetto di asciugatura altrettanto buono rispetto all'uso effettivo del brillantante liquido.
	Le stoviglie sono state scaricate dopo l'apertura automatica della porta, ma prima della fine del ciclo effettivo.	Assicurarsi che il ciclo sia terminato prima di iniziare a scaricare le stoviglie (il display visualizza „END” o è vuoto). Per ottenere risultati di asciugatura ancora migliori, si consiglia di lasciare le stoviglie all'interno della lavastoviglie con la porta aperta per altri 15 minuti dopo la fine del ciclo.
	Le stoviglie sono troppo distese.	Se si notano ristagni d'acqua all'interno delle cavità di tazze, tazzine o ciotole, provare a caricare le stoviglie (soprattutto nel cestello superiore) fornendo una maggiore inclinazione per far gocciolare una maggiore quantità d'acqua prima dell'inizio dell'asciugatura.
	Il ciclo selezionato non prevede la fase di asciugatura.	Verificare nella TABELLA DEI PROGRAMMI se il programma selezionato è predisposto per la fase di asciugatura. Il ciclo senza la fase di asciugatura potrebbe non fornire l'efficienza di asciugatura desiderata, quindi si raccomanda di cambiare la selezione del ciclo con quella che prevede la fase di asciugatura.
I piatti e i bicchieri presentano striature blu o sfumature bluastre.	Piatti in materiale antiaderente o in plastica.	La presenza di alcune gocce d'acqua su questo tipo di materiale è normale.
I piatti e i bicchieri sono ricoperti di calcare o di una pellicola biancastra.	La dose di brillantante è eccessiva.	Regolare il dosaggio su un'impostazione più bassa.
	Il serbatoio del sale è vuoto.	Riempire il serbatoio di sale il prima possibile. L'utilizzo dell'apparecchio senza sale può causare danni ai componenti interni.
	L'impostazione della durezza dell'acqua è troppo bassa.	Aumentare l'impostazione (<i>vedere TABELLA DELLA DUREZZA DELL'ACQUA</i>).
	Tappo del serbatoio sale non correttamente chiuso.	Controllare e chiudere il tappo del serbatoio del sale.
La lavastoviglie indica: F8 E5	Il serbatoio del brillantante è vuoto o il dosaggio del brillantante è insufficiente.	Riempire nuovamente la vaschetta con il brillantante e controllare l'impostazione del dosaggio (per maggiori informazioni - <i>vedere RIEMPIMENTO DEL DISTRIBUTORE BRILLANTANTE</i>).
	La valvola è bloccata o difettosa.	Chiudere il rubinetto dell'acqua, se possibile. Non interrompere l'alimentazione elettrica. Chiamare l'assistenza.



Documentazione normativa, documentazione standard, ordinazione di pezzi di ricambio e altre informazioni sul prodotto possono essere reperite:

- Usare il codice QR e visitando il nostro sito web docs.whirlpool.eu
- Visitando il nostro sito web parts-selfservice.whirlpool.com
- Oppure, **contattare il Servizio Assistenza Tecnica** (al numero di telefono riportato sul libretto di garanzia). Quando si contatta il Servizio Assistenza Tecnica, fornire i codici presenti sulla targhetta matricola del prodotto.

I dati del modello possono essere richiamati usando il codice QR riportato sull'etichetta energetica. L'etichetta riporta anche il codice identificativo del modello che può essere utilizzato per consultare il portale di registrazione su <https://eprel.ec.europa.eu>



400011655792D

05/2022 jk - Xerox Fabriano

