

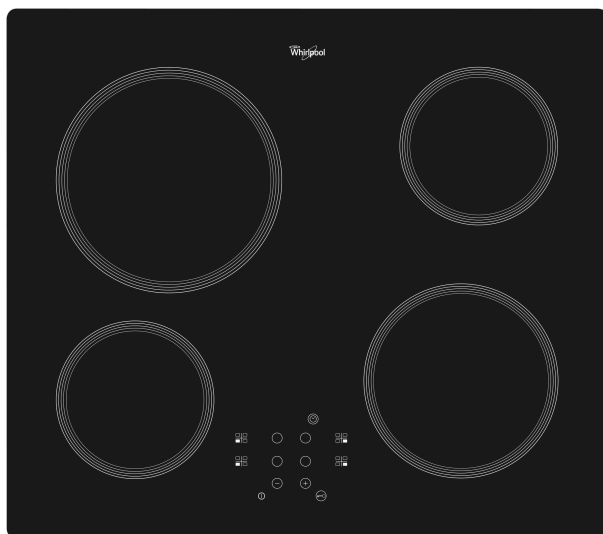
# AKM 750/NE

12NC: 852420201000

GTIN (EAN) code: 8003437984792

Whirlpool

SENSING THE DIFFERENCE



## Whirlpool hob - AKM 750/NE

This Whirlpool Hob features: electric power supply.



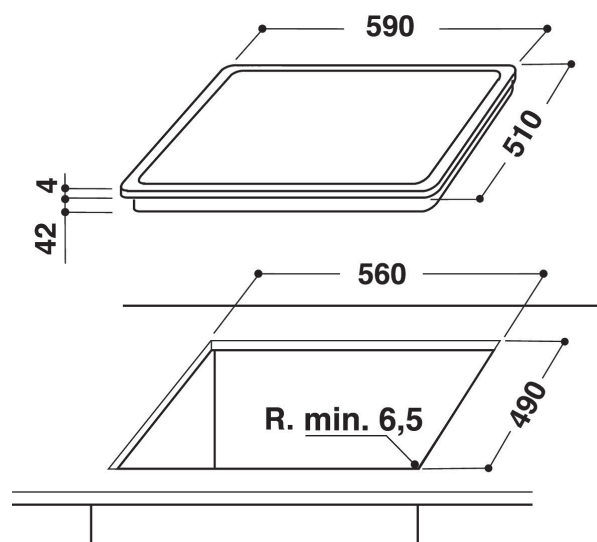
### Touch control

Cooking at the press of a button. Thanks to TouchControl, the precise control of your hobs is at your finger tips. The sensor power regulation does without the 10 phases on most dials and thus allows for simpler cleaning and care for your hob.



### Front Controls

Complete control over your cooking. Easily accessible and genuinely intuitive, the controls are conveniently positioned on the front panel of your hob, providing a frictionless cooking experience.



- Residual heat indicator
- Child lock
- On/Off Switch
- 60 cm hob
- Timer
- Black Glass Hob
- 4 Radiant cooking zones
- 4 Plate on Indicator
- Power on indicator
- Supply cord included
- 4 Cooking zones: 1 Radiant 1200 W, 1 Radiant 2100 W, 1 Radiant 1200 W, and 1 Radiant 1700 W
- Dimensions HxWxD: 63x580x510 mm
- Niche dimensions HxWxD: 42x560x490 mm
- Electrical Connection Rating: 6200 W
- Voltage: 230 V
- Front left zone: 145 mm  $\varnothing$ , 1200 W

# AKM 750/NE

12NC: 852420201000

GTIN (EAN) code: 8003437984792

**Whirlpool**

SENSING THE DIFFERENCE

## MAIN FEATURES

Product group	Hob
Construction type	Built-in
Type of control	Electronic
Type of control settings	-
Number of gas burners	0
Number of electric cooking zones	4
Number of electric plates	0
Number of radiant plates	4
Number of halogen plates	0
Number of induction plates	0
Number of electric warming zones	0
Location of control panel	Front
Basic surface material	Glass
Main colour of product	Black
Electrical connection rating (W)	6200
Gas connection rating (W)	0
Gas type	N/A
Current (A)	27,8
Voltage (V)	230
Frequency (Hz)	50
Length of Electrical Supply Cord (cm)	110
Plug type	No
Gas connection	N/A
Width of the product	580
Height of the product	63
Depth of the product	510
Minimum niche height	42
Minimum niche width	560
Niche depth	490
Net weight (kg)	8
Automatic programmes	No

## TECHNICAL FEATURES

Power on indicator	Yes
Number of indicators	4
Type of regulation	Temperature regulated
Type of lid	Without
Residual heat indicator	Separate
Main on/off switch	Yes
Safety device	-
Timer	Yes

## PERFORMANCES

Energy input	Electric
--------------	----------