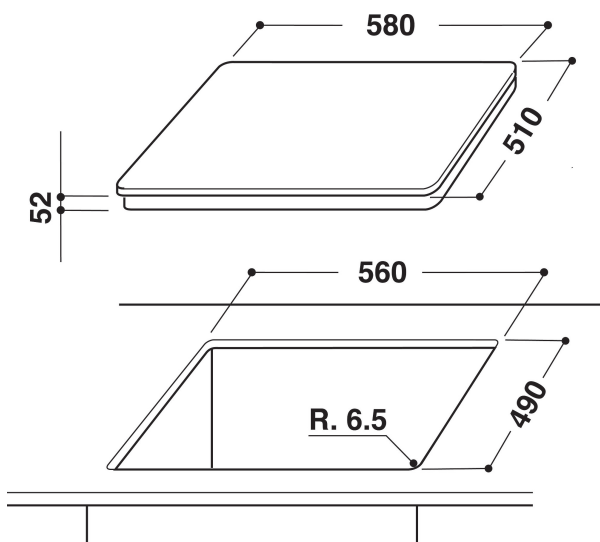
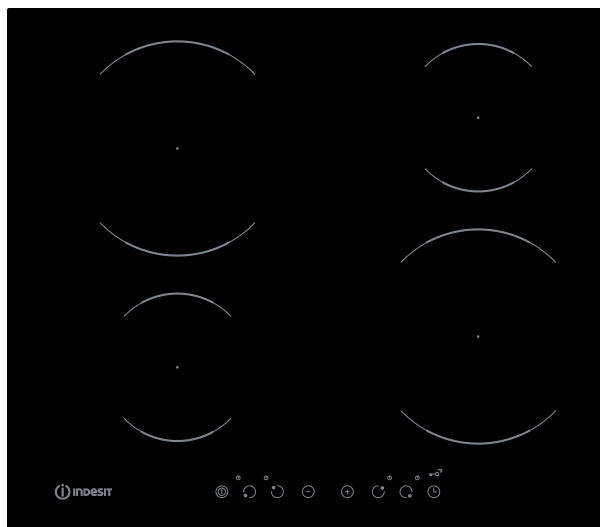


VIA 640.1 C

12NC: F104087

GTIN (EAN) code: 8050147040874

Indesit
Life proof.



MAIN FEATURES

Product group	Hob
Construction type	Vstavaná
Type of control	Electronic
Type of control settings	-
Number of gas burners	0
Number of electric cooking zones	4
Number of electric plates	0
Number of radiant plates	0
Number of halogen plates	0
Number of induction plates	4
Number of electric warming zones	0
Location of control panel	Front
Basic surface material	Ceramic Glass
Main colour of product	Čierna
Electrical connection rating (W)	7200
Gas connection rating (W)	0
Gas type	N/A
Current (A)	31,3
Voltage (V)	230
Frequency (Hz)	50/60
Length of Electrical Supply Cord (cm)	120
Plug type	Nie
Gas connection	N/A
Width of the product	580
Height of the product	58
Depth of the product	510
Minimum niche height	30
Minimum niche width	560
Niche depth	490
Net weight (kg)	8
Automatic programmes	Nie

TECHNICAL FEATURES

Power on indicator	Áno
Number of indicators	4
Type of regulation	Inductor
Type of lid	Without
Residual heat indicator	Separate
Main on/off switch	Áno
Safety device	-
Timer	Áno

ENERGETICKÝ ŠTÍTOK

Energy input

Electric