

I6VV2A(W)/UK
I6VV2A/UK



GB English

Operating Instructions COOKER AND OVEN

Contents

Operating Instructions,1
Warning,2
Description of the appliance-Overall view,6
Description of the appliance-Control Panel,7
Installation,8
Start-up and use,10
Cooking modes,10
Using the hob,12
Precautions and tips,13
Care and maintenance,14
Assistance,14

FR Français

Mode d'emploi CUISINIÈRE ET FOUR

Sommaire

Mode d'emploi,1
Attention,3
Description de l'appareil-Vue d'ensemble, 6
Description de l'appareil-Tableau de bord, 7
Installation,16
Mise en marche et utilisation,18
Utilisation du four,18
Utilisation du plan de cuisson,20
Précautions et conseils, 21
Nettoyage et entretien,22
Assistance,22

ES Español

Manual de instrucciones COCINA Y HORNO

Sumario

Manual de instrucciones,1
Atención,4
Descripción del aparato-Vista de conjunto,6
Descripción del aparato-Panel de control,7
Instalación,24
Puesta en funcionamiento y uso,26
Uso del horno,26
Uso de la encimera,28
Precauciones y consejos,29
Mantenimiento y cuidados,30
Asistencia,32

PT Português

Instruções para a utilização FOGÃO E FORNO

Índice

Instruções para a utilização,1
Attenção,5
Descrição do aparelho-Vista de conjunto,6
Descrição do aparelho-Painel de comandos,7
Instalação,33
Início e utilização, 35
Utilização do forno,35
Utilização do plano de cozedura,38
Precauções e conselhos,39
Manutenção e cuidados,40
Assistência técnica,41

WARNING: The appliance and its accessible parts become hot during use.

Care should be taken to avoid touching heating elements.

Children less than 8 years of age shall be kept away unless continuously supervised.

This appliance can be used by children aged from 8 years and above and persons with reduced physical, sensory or mental capabilities or lack of experience and knowledge if they have been given supervision or instruction concerning use of the appliance in a safe way and understand the hazards involved. Children shall not play with the appliance. Cleaning and user maintenance shall not be made by children without supervision.

WARNING: Unattended cooking on a hob with fat or oil can be dangerous and may result in fire.

NEVER try to extinguish a fire with water, but switch off the appliance and then cover flame e.g. with a lid or a fire blanket.

! When you place the rack inside, make sure that the stop is directed upwards and in the back of the cavity.

Do not use harsh abrasive cleaners or sharp metal scrapers to clean the oven door glass since they can scratch the surface, which may result in shattering of the glass.

The internal surfaces of the compartment (where present) may become hot.

Never use steam cleaners or pressure cleaners on the appliance.

Remove any liquid from the lid before opening it.

Do not close the glass cover (if present) when the gas burners or electric hotplates are still hot.

WARNING: Ensure that the appliance is switched off before replacing the lamp to avoid the possibility of electric shock

WARNING: Danger of fire: do not store items on the cooking surfaces.

WARNING: If the surface in glass-ceramic is cracked, switch off the appliance to avoid the possibility of electric shock.

CAUTION: The cooking process has to be supervised. A short term cooking process has to be supervised continuously.

If the supply cord is damaged, it must be replaced by a special cord or assembly available from the manufacturer or its service agent.

ATTENTION : cet appareil ainsi que ses parties accessibles deviennent très chauds pendant leur fonctionnement.

Il faut faire attention de ne pas toucher les éléments chauffants.

Ne laisser s'approcher les enfants de moins de 8 ans à moins qu'ils ne soient sous surveillance constante.

Le présent appareil peut être utilisé par des enfants de plus de 8 ans et par des personnes présentant des capacités physiques, sensorielles ou mentales réduites ou n'ayant pas l'expérience ou les connaissances nécessaires, à condition qu'ils soient sous bonne surveillance ou qu'ils aient reçu les instructions nécessaires pour une utilisation de l'appareil en toute sécurité et à condition qu'ils se rendent compte des dangers encourus. Les enfants ne doivent pas jouer avec l'appareil. Les opérations de nettoyage et d'entretien ne doivent pas être effectuées par des enfants non surveillés.

ATTENTION : laisser un récipient de cuisson contenant de l'huile ou de la graisse sur le foyer est dangereux et risque d'entraîner un incendie.

Il ne faut JAMAIS essayer d'éteindre une flamme ou un incendie avec de l'eau ! Il faut éteindre l'appareil et couvrir la flamme avec un couvercle, par exemple, ou avec une couverture anti-feu.

Ne pas utiliser de produits abrasifs ni de spatules métalliques coupantes pour nettoyer la porte du four en verre, sous peine d'érafler la surface et de briser le verre.

Les surfaces intérieures du tiroir (s'il y en a un) peuvent devenir chaudes.

Ne jamais nettoyer l'appareil avec des nettoyeurs vapeur ou haute pression.

Essuyer tout liquide pouvant se trouver sur le couvercle avant de l'ouvrir. Ne pas abaisser le couvercle en verre (s'il y en a un) tant que les brûleurs gaz ou la plaque électrique sont chauds.

ATTENTION : s'assurer que l'appareil est éteint avant de procéder au remplacement de l'ampoule, afin d'éviter tout risque d'électrocution.

ATTENTION : risque d'incendie : ne pas laisser d'objets sur les surfaces de cuisson.

ATTENTION : si la surface vitrocéramique est fêlée, éteindre l'appareil afin d'éviter tout risque d'électrocution.

! Lors de l'introduction de la grille, s'assurer que l'arrêt est bien tourné vers le haut et se trouve dans la partie arrière de l'enceinte.

M I S E E N G A R D E : Le processus de cuisson doit être supervisé. Une cuisson de courte durée doit être surveillée en permanence.

En cas de dommage du cordon d'alimentation, vous devez le remplacer par un cordon ou un assemblage spécial disponible auprès du fabricant ou de son agent de service agréé.

ATENCIÓN: Este aparato y sus partes accesibles se calientan mucho durante el uso.

Por lo tanto, es importante evitar tocar los elementos calentadores.

Mantenga alejados a los niños menores de 8 años si no son continuamente vigilados.

El presente aparato puede ser utilizado por niños mayores de 8 años y por personas con capacidades físicas, sensoriales o mentales disminuidas o sin experiencia ni conocimientos, si se encuentran bajo una adecuada vigilancia o si han sido instruidos sobre el uso del aparato de modo seguro y comprenden los peligros relacionados con el mismo. Los niños no deben jugar con el aparato. Las operaciones de limpieza y de mantenimiento no deben ser realizadas por niños sin vigilancia.

ATENCIÓN: Dejar un quemador con grasas o aceites sin vigilancia puede ser peligroso y provocar un incendio.

NUNCA intente apagar una llama/incendio con agua, se debe apagar el aparato y cubrir la llama, por ejemplo, con una tapa o con una manta ignífuga.

! Cuando introduzca la parrilla, controle que el tope esté dirigido hacia arriba y en la parte posterior de la cavidad.

No utilice productos abrasivos ni espátulas de metal cortantes para limpiar la puerta de cristal del horno ya que podrían rayar la superficie y quebrar el cristal.

Las superficies internas del cajón (cuando existe) pueden calentarse.

No utilice nunca limpiadores a vapor o de alta presión para la limpieza del aparato.

Elimine eventuales líquidos presentes sobre la tapa antes de abrirla. No cierre la tapa de vidrio (si existe) cuando los quemadores o la placa eléctrica todavía están calientes.

ATENCIÓN: Antes de sustituir la lámpara controle que el aparato esté apagado para evitar la posibilidad de choques eléctricos.

ATENCIÓN: Riesgo de incendio: no deje objetos sobre las superficies de cocción.

ATENCIÓN: Si la superficie de vitrocerámica está agrietada, apague el aparato para evitar sacudidas eléctricas.

PRECAUCIÓN: El proceso de cocción tiene que ser supervisado. Un proceso de cocción corto plazo tiene que ser supervisado continuamente.

Si el cable de alimentación está dañado, debe ser sustituido por un cable o un conjunto especial proporcionado por el fabricante o su agente de servicio.

ATENÇÃO: Este aparelho e as suas partes acessíveis aquecem muito durante a utilização.

É preciso ter atenção e evitar tocar os elementos que aquecem.

Manter afastadas as crianças com menos de 8 anos, caso não estejam a ser vigiadas.

O presente aparelho pode ser utilizado por crianças com mais de 8 anos e por pessoas com capacidades físicas, sensoriais ou mentais reduzidas ou com pouca experiência e conhecimentos, caso sejam adequadamente vigiadas ou caso tenham recebido instruções em relação ao uso do aparelho de forma segura e tenham conhecimento dos perigos associados. As crianças não devem brincar com o aparelho. As operações de limpeza e manutenção não devem ser efectuadas por crianças sem vigilância.

ATENÇÃO: Deixar um fogão com gordura e óleo sem vigilância pode ser perigoso e provocar um incêndio.

NUNCA tente apagar as chamas com água. É necessário desligar o aparelho e cobrir as chamas com uma tampa ou com uma manta ignífuga.

Não utilizar produtos abrasivos nem espátulas de metal cortantes para limpar a porta em vidro do forno, uma vez que pode riscar a superfície, provocando a ruptura do vidro.

As superfícies internas da gaveta (se presentes) podem ficar muito quentes.

Nunca utilize equipamento de limpeza a vapor ou de alta pressão para limpar o aparelho.

Elimine os líquidos presentes na tampa antes de abri-la. Não feche a tampa de vidro (se presente) se os queimadores ou a chapa eléctrica ainda estiverem quentes.

ATENÇÃO: Assegure-se de que o aparelho esteja desligado antes de substituir a lâmpada, para evitar a possibilidade de choques eléctricos.

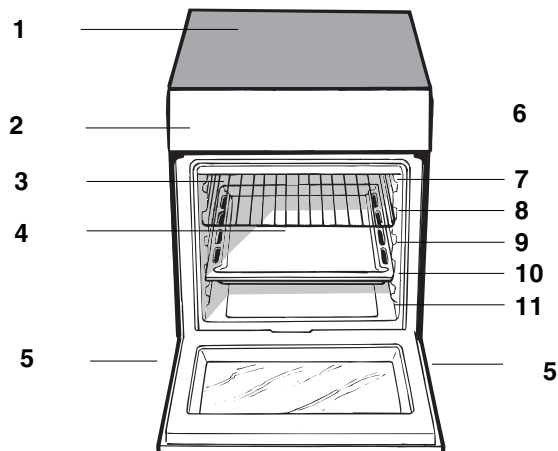
ATENÇÃO: Risco de incêndio: não deixe objectos sobre as superfícies de cozedura.

ATENÇÃO: Se a superfície vitrocerâmica estiver rachada, desligue o aparelho para evitar a possibilidade de choques eléctricos.

! Quando inserir a grelha, assegure-se de que o bloqueio esteja voltado para cima e na parte posterior da cavidade.

CUIDADO: O processo de cozedura tem de ser supervisionado. Um processo de cozedura de curta duração tem de ser supervisionado continuamente.

Se o cabo de alimentação estiver danificado, deve ser substituído por um cabo especial ou conjunto disponível do fabricante ou o seu agente de assistência.



GB

Description of the appliance
Overall view

- 1. Glass ceramic hob
- 2. Control panel
- 3. Sliding grill rack
- 4. DRIPPING pan
- 5. Adjustable foot
- 6. GUIDE RAILS for the sliding racks
- 7. position 5
- 8. position 4
- 9. position 3
- 10. position 2
- 11. position 1

PT

Descrição do aparelho
Vista de conjunto

- 1 Plano de vitrocerâmica
- 2 Painel de comandos
- 3 Prateleira GRADE
- 4 Prateleira BANDEJA PINGADEIRA
- 5 Pé de regulação
- 6 GUIAS de deslizamento das prateleiras
- 7 Posição 5
- 8 Posição 4
- 9 Posição 3
- 10 Posição 2
- 11 Posição 1

ES

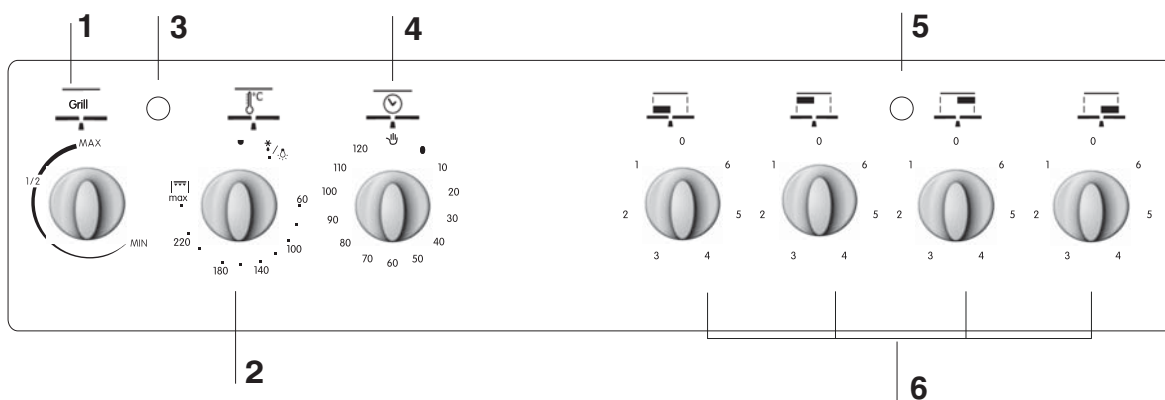
Descripción del aparato
Vista de conjunto

- 1. ENCIMERA DE VITROCERÁMICA
- 2 Panel de mandos
- 3 Rejilla estante del horno
- 4 Asadera o plano de cocción
- 5 Patitas regulables
- 6 GUÍAS de deslizamiento de las bandejas
- 7. POSICIÓN 5
- 8 POSICIÓN 4
- 9 POSICIÓN 3
- 10 POSICIÓN 2
- 11 POSICIÓN 1

FR

Description de l'appareil
Vue d'ensemble

- 1. Table de cuisson céramique
- 2. Tableau de bord
- 3. Support GRILLE
- 4. Support LECHEFRITE
- 5. Pied de réglage
- 6. GLISSIÈRES de coulissement
- 7. niveau 5
- 8. niveau 4
- 9. niveau 3
- 10. niveau 2
- 11. niveau 1



GB

Description of the appliance Control panel

- 1.VARIABLE GRILL knob
- 2.SELECTOR knob
- 3.THERMOSTAT indicator light
- 4.TIMER knob
- 5.ELECTRIC HOTPLATE indicator light
- 6.Electric HOTPLATE control knob

PT

Descrição do aparelho Painel de comandos

- 1.Botao de selecção gril
- 2.Botão selector das funções de cozedura
- 3.Indicador de funcionamento termostato
- 4.Manípulo conta-minutos
- 5.Indicador de funcionamento chapas
- 6.Botões de comando das chapas eléctricas

ES

Descripción del aparato Panel de control

- 1.Perilla del gril
- 2.Perilla PROGRAMAS
- 3.La luz piloto del termostato del horno
- 4.El contador de minutos
- 5.Luz indicadora de funcionamiento de las placas eléctricas
- 6.Las perillas de mando de las placas eléctricas de la encimera

FR

Description de l'appareil Tableau de bord

- 1.Bouton GRIL
- 2.Manette PROGRAMMES
- 3.Voyant lumineux thermostat
- 4.Manette du MINUTEUR
- 5.Voyant de fonctionnement de la plaque électrique
- 6.Manette de la plaque électrique

Installation

GB

! Before operating your new appliance please read this instruction booklet carefully. It contains important information concerning the safe installation and operation of the appliance.

! Please keep these operating instructions for future reference. Make sure that the instructions are kept with the appliance if it is sold, given away or moved.

! The appliance must be installed by a qualified professional according to the instructions provided.

! Any necessary adjustment or maintenance must be performed after the appliance has been disconnected from the electricity supply.

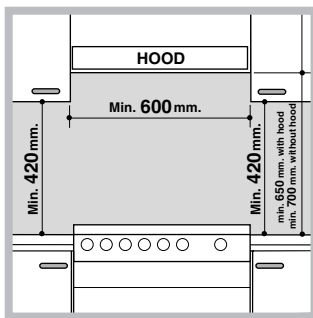
Positioning and levelling

! It is possible to install the appliance alongside cupboards whose height does not exceed that of the hob surface.

! Make sure that the wall in contact with the back of the appliance is made from a non-flammable, heat-resistant material (T 90°C).

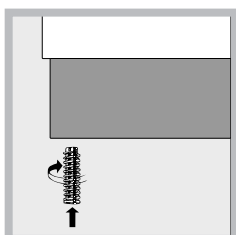
To install the appliance correctly:

- Place it in the kitchen, dining room or the bed-sit (not in the bathroom).
- If the top of the hob is higher than the cupboards, the appliance must be installed at least 200 mm away from them.



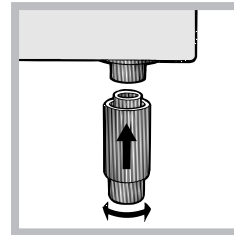
- If the cooker is installed underneath a wall cabinet, there must be a minimum distance of 420 mm between this cabinet and the top of the hob. This distance should be increased to 700 mm if the wall cabinets are flammable (see figure).

- Do not position blinds behind the cooker or less than 200 mm away from its sides.
- Any hoods must be installed according to the instructions listed in the relevant operating manual.



Levelling

If it is necessary to level the appliance, screw the adjustable feet* into the places provided on each corner of the base of the cooker (see figure).



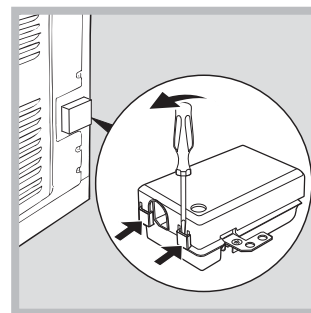
The legs* provided with the appliance fit into the slots on the underside of the base of the cooker.

The appliance must not be installed behind a decorative door in order to avoid overheating

Electrical connection

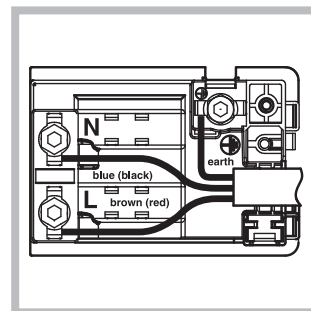
Electric cookers come without a power supply cable. The cooker is designed to operate on an electricity supply which conforms to the electrical data shown on the Rating Plate. The cooker can be connected to the mains only after removing the back panel of the cooker itself with a screwdriver.

! the following installation procedure must be carried out by a qualified electrician. The electrical installation must comply with the IEE Regulations, Building & local By-Lays.



1. Open the terminal board by inserting a screwdriver into the side tabs of the cover. Use the screwdriver as a lever by pushing it down to open the cover (see diagram).

2. Loosen the cable clamp screw and remove it, using a screwdriver as a lever (see figure).



3. Remove the wire contact screws L-N- \perp , then fasten the wires under the screw heads, respecting the colour code: Black/Blue (N), Red/Brown (L) and Bare Wire/ Yellow-Green (\perp).

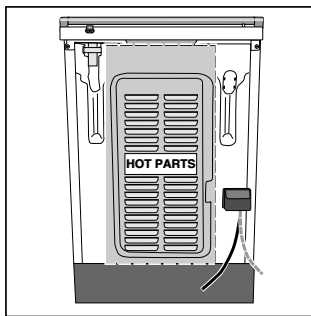
- Once the connections have been made, tighten all the terminal screws fully.
- Fasten the supply cable in place with the clamp and close the cover of the terminal board.

Connecting the supply cable to the mains

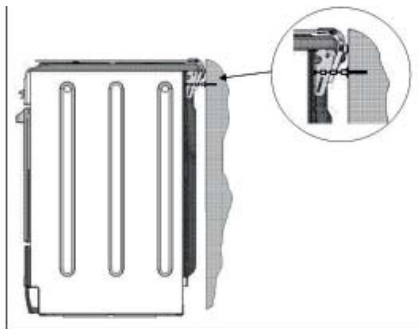
WARNINGS: THIS APPLIANCE MUST BE EARTHED.

! The cooker must be connected to the mains by a switched (double pole) cooker outlet correctly fused with a capacity appropriate to that shown on the cooker Rating Plate. All electrical wiring from the consumer unit to the cooker, via the switched double pole cooker outlet, must be of an acceptable type and current rating as above.

! the supply cable must be positioned so that it never reaches at any point a temperature 50°C higher than the room temperature. The cable must be routed away from the rear vents.



Safety Chain





! In order to prevent accidental tipping of the appliance, for example by a child climbing onto the oven door, the supplied safety chain **MUST** be installed!

The cooker is fitted with a safety chain to be fixed by means of a screw (not supplied with the cooker) to the wall behind the appliance, at the same height as the chain is attached to the appliance.

Choose the screw and the screw anchor according to the type of material of the wall behind the appliance. If the head of the screw has a diameter smaller than 9mm, a washer should be used. Concrete wall requires the screw of at least 8mm of diameter, and 60mm of length.

Ensure that the chain is fixed to the rear wall of the cooker and to the wall, as shown in figure, so that after installation it is tensioned and parallel to the ground level.

TECHNICAL DATA	
Oven dimensions (HxWxD)	32,4x43,5x41,3 cm
Volume	59 l
Useful measurements relating to the oven compartment	width 42 cm depth 44 cm height 8,5 cm
Power supply voltage and frequency	see data plate
Electric hob	
Front left	1700 W
Back left	1200 W
Back right	2100 W
Front right	1200 W
Maximum absorption of the electric hob	6200 W
ENERGY LABEL and ECODESIGN	Declared energy consumption for Forced convection Class – heating mode: Fan assisted
  ECODESIGN Directive 2009/125/EC	

Data plate, is located inside the flap or, after the oven compartment has been opened, on the left-hand wall inside the oven.

Start-up and use

GB

! The first time you use your appliance, heat the empty oven with its door closed at its maximum temperature for at least half an hour. Ensure that the room is well ventilated before switching the oven off and opening the oven door. The appliance may emit a slightly unpleasant odour caused by protective substances used during the manufacturing process burning away.


! Before operating the product, remove all plastic film from the sides of the appliance.

Starting the oven

1. Select the desired cooking mode by turning the SELECTOR knob.
2. Select the desired temperature with the VARIABLE GRILL knob. See the Cooking advice table for cooking modes and the suggested cooking temperatures (see Cooking Modes).
3. When preheating is finished, the THERMOSTAT indicator light will stay on: place the food in the oven.
4. You may do the following during cooking:
 - change the cooking mode by turning the SELECTOR knob.
 - change the temperature by turning the VARIABLE GRILL knob.
 - stop cooking by turning the SELECTOR knob to the "0" position.

! Never put objects directly on the oven bottom to avoid damaging the enamel coating.

! Always place cookware on the rack(s) provided.

When the SELECTOR knob is turned in a clockwise direction to the symbol  the fan and oven light will come on to assist in the defrosting of frozen food. Rotating further to the complete range of temperatures shown on the dial you can choose which is most suitable for the food you are going to cook (fan assisted mode). The temperature is reached automatically and controlled by the oven thermostat (from 60°C to 240°C).

Grill

The top heating element will come on. On this setting, food is cooked by the thermal radiation given off in the downward direction by the electric heating element. The very high temperature and direct heat of the grill make it possible to brown meats on the surface while locking in the juices to keep them tender.


! Never put objects directly on the bottom of the oven; this will avoid the enamel coating being damaged. Only use position 1 in the oven when cooking with the rotisserie spit.

! Always place cookware on the rack(s) provided.
! Always cook in this mode with the oven door closed.

THERMOSTAT indicator light

When this is illuminated, the oven is generating heat. It switches off when the inside of the oven reaches the selected temperature. At this point the light illuminates and switches off alternately, indicating that the thermostat is working and is maintaining the temperature at a constant level.

Oven light

This is switched on by turning the SELECTOR knob to any position other than "0". It remains lit as long as the oven is operating. By selecting  with the knob, the light is switched on without any of the heating elements being activated.


Cooling ventilation*

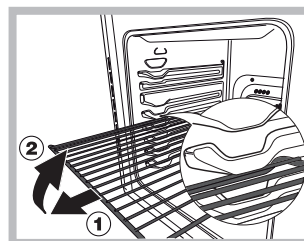
In order to cool down the external temperature of the oven, some models are fitted with a cooling fan that blows out air between the control panel and the oven door.

! Once the cooking has been completed, the cooling fan remains on until the oven has cooled down sufficiently.

Using the cooking timer

1. To set the buzzer, turn the COOKING TIMER knob clockwise almost one complete revolution.
2. Turn the knob anticlockwise to set the desired time: align the minutes shown on the COOKING TIMER knob with the indicator on the control panel.
3. When the selected time has elapsed, a buzzer sounds and the oven turns off.
4. When the oven is off the cooking timer can be used as a normal timer.

! To use the oven manually, in other words when you do not wish to use the end of cooking timer, turn the COOKING TIMER knob until it reaches the  symbol.



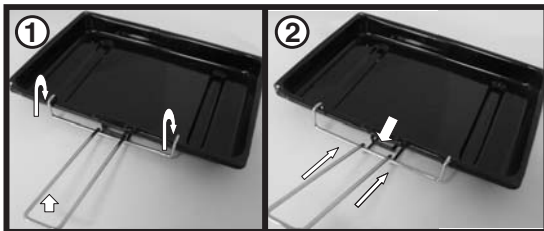
WARNING! The oven is provided with a stop system to extract the racks and prevent them from coming out of the oven. (1) As shown in the drawing, to extract them completely, simply lift the racks, holding them on the front part, and pull (2).

Using the grill pan kit

The grill pan handle is detachable from the pan to facilitate cleaning and storage. Fix the pan handle securely before use:

1. Fit the handle to the grill pan so the external 'hooks' embrace the that edge of the pan (fig. 1)
2. Make sure that the middle part of the handle fits exactly the protruding support of the pan (fig .2) and holds the pan from the bottom.

The food must be placed on the rack in the grill pan. Position the grill pan on top of the oven rack. The best results are achieved by placing the oven rack on the uppermost shelves. Pouring a little water into the grill pan will make the collection of grease particles more efficient and prevent the formation of smoke



Oven cooking advice table

Food to be cooked	Wt. (wt)	Cooking position of shelves from bottom	Temperature (°C)	Variable grill	Pre-heating time (min)	Cooking time (min.)
Pasta						
Lasagne	2.5	3	210		-	75-80
Cannelloni	2.5	3	210	MAX	-	75-80
Oven-baked noodles	2.5	3	210		-	75-80
Meat						
Veal	1.7	3	230		-	85-90
Chicken	1.5	3	220		-	110-115
Turkey	3.0	3	MAX	MAX	-	95-100
Duck	1.8	3	230		-	120/125
Rabbit	2	3	230		-	105/110
Pork	2.1	3	230		-	100/110
Lamb	1.8	3	230		-	90-95
Fish						
Mackerel	1.1	3	210-230		-	55-60
Dentex	1.5	3	210-230	MAX	-	60-65
Trout baked in paper	1.0	3	210-230		-	40-45
Pizza						
Napolitan	1.0	3	MAX	MAX	15	30-35
Cake						
Biscuits	0.5	3	180		15	30-35
Tarts	1.1	3	180	MAX	15	30-35
Chocolate cake	1	3	200		15	45-50
Raised Cakes	1	3	200		15	50/55
Grill cooking						
Toast	n.° 4	4			5	5-6
Pork chops	1.5	4		3/4	5	20-30
Mackerel	1.1	4			5	20-30

Note: cooking times are approximate and may vary according to personal taste.

Practical cooking advice

! Do not place racks in position 1 and 5 during fan-assisted cooking. Excessive direct heat can burn temperature sensitive foods.

! In the GRILL cooking modes, place the dripping pan in position 1 to collect cooking residues (fat and/or grease).

GRILL

- Insert the rack in position 3 or 4. Place the food in the centre of the rack.
- We recommend that you set the maximum power level. The top heating element is regulated by a thermostat and may not always be on.

PIZZA

- Use a light aluminium pizza pan. Place it on the rack provided.
For a crispy crust, do not use the dripping pan (prevents crust from forming by extending cooking time).
- If the pizza has a lot of toppings, we recommend adding the mozzarella cheese on top of the pizza halfway through the cooking process.

Using the glass ceramic hob

GB

! The glue applied on the gaskets leaves traces of grease on the glass. Before using the appliance, we recommend you remove these with a special non-abrasive cleaning product. During the first few hours of use there may be a smell of rubber which will disappear very quickly.

Switching the cooking zones on and off

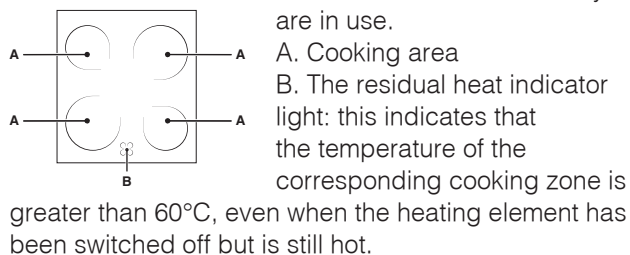
To switch on a cooking zone, turn the corresponding knob in a clockwise direction.

To switch it off again, turn the knob in an anticlockwise direction until it is in the „0” position.

If the ACTIVE HOTPLATE ON indicator light is lit, this shows that at least one hotplate on the hob is switched on.

Cooking zones

The hobs have been provided with radiant electric heaters. These heaters are incorporated under the surface of the hob as zones which redden while they are in use.



Cooking zones with heating elements

The radiant heating elements are composed of circular heating elements. They only become red after being turned on for 10-20 seconds.

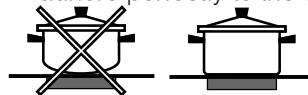
! Do not stare directly at the halogen heating elements.

Turn the corresponding knob in a clockwise direction, to a position between 1 and 6.

Setting	Normal or Fast Plate
0	Off
1	Cooking vegetables, fish
2	Cooking potatoes (using steam) soups, chickpeas, beans.
3	Continuing the cooking of large quantities of food, minestrone
4	For roasting (average)
5	For roasting (above average)
6	For browning and reaching a boil in a short time.

Practical advice on using the hob

- Use pans with a thick, flat base to ensure that they adhere perfectly to the cooking zone.



- Always use pans with a diameter that is large enough to cover the hotplate fully, in order to use all the heat produced.

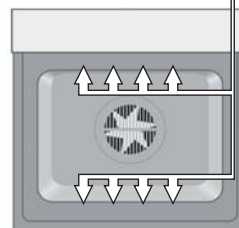


- Always make sure that the base of the pan is completely clean and dry: this ensures that the pans adhere perfectly to the cooking zones and that both the pans and the hob last for a longer period of time.
- Avoid using the same cookware that is used on gas burners: the heat concentration on gas burners may have warped the base of the pan, causing it not to adhere to the surface correctly.
- Never leave a cooking zone switched on without a pan on top of it, as doing so may cause the zone to become damaged.

NOTICE

! VERY HOT SURFACES

FOOD OR GREASE ON THESE SURFACES COULD CAUSE SMOKE AND POSSIBLY EVEN BURN
YOU MUST KEEP THE OVEN AND GRILL CAVITIES CLEAN



! ATTENTION

DURING INSTALLATION THE FEET OF THE APPLIANCE MUST BE LOWERED SO THAT AN AIR GAP OF AT LEAST 10MM (1CM) IS LEFT BETWEEN THE BASE OF THE APPLIANCE AND THE FLOOR.



! ATTENTION

WHEN USING THE MAIN OVEN YOU MUST ENSURE THAT THE BASE OF THE CAVITY IS NOT COVERED WITH ALUMINUM FOIL, UTENSIL OR ANY OTHER FORM OF COVERING. FAILURE TO DO THIS MAY RESULT IN THE CAVITY BEING DAMAGED.

! This appliance has been designed and manufactured in compliance with international safety standards. The following warnings are provided for safety reasons and must be read carefully.

General safety

- **These instructions are only valid for the countries whose symbols appear in the manual and on the serial number plate.**
- The appliance was designed for domestic use inside the home and is not intended for commercial or industrial use.
- The appliance must not be installed outdoors, even in covered areas. It is extremely dangerous to leave the appliance exposed to rain and storms.
- Do not touch the appliance with bare feet or with wet or damp hands and feet.
- The appliance must be used by adults only for the preparation of food, in accordance with the instructions provided in this booklet.
- The instruction booklet accompanies a class 1 (insulated) or class 2 - subclass 1 (recessed between 2 cupboards) appliance.
- **When the appliance is in use, the heating elements and some parts of the oven door become extremely hot. Make sure you don't touch them and keep children well away.**
- Make sure that the power supply cables of other electrical appliances do not come into contact with the hot parts of the oven.
- The openings used for the ventilation and dispersion of heat must never be covered.
- Do not place unstable or misshapen pans on the electric hotplates; this will help to avoid spills. Position them on the hob with the handles turned towards the centre of the appliance.
- Always use oven gloves when placing cookware in the oven or when removing it.
- Do not use flammable liquids (alcohol, petrol, etc...) near the appliance while it is in use.
- Do not place flammable material in the lower storage compartment or in the oven itself. If the appliance is switched on accidentally, it could catch fire.
- Always make sure the knobs are in the '0' position when the appliance is not in use.
- When unplugging the appliance, always pull the plug from the mains socket; do not pull on the cable.
- Never perform any cleaning or maintenance work without having disconnected the appliance from the electricity mains.
- If the appliance breaks down, under no circumstances should you attempt to repair the appliance yourself. Repairs carried out by inexperienced persons may cause injury or further malfunctioning of the appliance. Contact Assistance.
- Do not rest heavy objects on the open oven door.
- The internal surfaces of the compartment (where present) may become hot.
- The glass ceramic hob is resistant to mechanical shocks, but it may crack (or even break) if hit with a sharp object such as a tool. If this happens, disconnect the appliance from the electricity mains immediately and contact a Service Centre.
- If the surface of the hob is cracked, switch off the appliance to prevent electric shocks from occurring.

- Remember that the temperature of the cooking zones remains relatively high for at least thirty minutes after they have been switched off.
- Keep any object that could melt away from the hob, for example plastic and aluminium objects, or products with a high sugar content. Keep plastic or aluminium objects away from the hob: if you forget them on surfaces that are still hot, they may cause serious damage to the hob.
- The appliance should not be operated by people (including children) with reduced physical, sensory or mental capacities, by inexperienced individuals or by anyone who is not familiar with the product. These individuals should, at the very least, be supervised by someone who assumes responsibility for their safety or receive preliminary instructions relating to the operation of the appliance.
- If the cooker is placed on a pedestal, take the necessary precautions to prevent the same from sliding off the pedestal itself.
- Do not let children play with the appliance.

Disposal

- When disposing of packaging material: observe local legislation so that the packaging may be reused.
- The European Directive 2002/96/EC relating to Waste Electrical and Electronic Equipment (WEEE) states that household appliances should not be disposed of using the normal solid urban waste cycle. Exhausted appliances should be collected separately in order to optimise the cost of re-using and recycling the materials inside the machine, while preventing potential damage to the atmosphere and to public health. The crossed-out dustbin is marked on all products to remind the owner of their obligations regarding separated waste collection. Exhausted appliances may be collected by the public waste collection service, taken to suitable collection areas in the area or, if permitted by current national legislation, they may be returned to the dealers as part of an exchange deal for a new equivalent product. All major manufacturers of household appliances participate in the creation and organisation of systems for the collection and disposal of old and disused appliances.

Respecting and conserving the environment

- Whenever possible, avoid pre-heating the oven and always try to fill it. Open the oven door as little as possible because heat is lost every time it is opened. To save a substantial amount of energy, simply switch off the oven 5 to 10 minutes before the end of your planned cooking time and use the heat the oven continues to generate.
- Keep gaskets clean and tidy to prevent any door energy losses
- If you have a timed tariff electricity contract, the "delay cooking" option will make it easier to save money by moving operation to cheaper time periods.

- The base of your pot or pan should cover the hot plate. If it is smaller, precious energy will be wasted and pots that boil over leave encrusted remains that can be difficult to remove.
- Cook your food in closed pots or pans with well-fitting lids and use as little water as possible. Cooking with the lid off will greatly increase energy consumption
- Use purely flat pots and pans
- If you are cooking something that takes a long time, it's worth using a pressure cooker, which is twice as fast and saves a third of the energy.

Switching the appliance off

Disconnect your appliance from the electricity supply before carrying out any work on it.

Cleaning the appliance

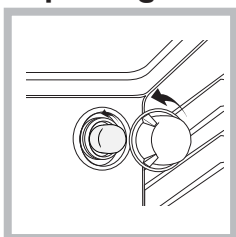
! Never use steam cleaners or pressure cleaners on the appliance.

- Clean the glass part of the oven door using a sponge and a non-abrasive cleaning product, then dry thoroughly with a soft cloth. Do not use rough abrasive material or sharp metal scrapers as these could scratch the surface and cause the glass to crack.
- The stainless steel or enamel-coated external parts and the rubber seals may be cleaned using a sponge that has been soaked in lukewarm water and neutral soap. Use specialised products for the removal of stubborn stains. After cleaning, rinse and dry thoroughly. Do not use abrasive powders or corrosive substances.
- The inside of the oven should ideally be cleaned after each use, while it is still lukewarm. Use hot water and detergent, then rinse well and dry with a soft cloth. Do not use abrasive products.
- The accessories can be washed like everyday crockery, and are even dishwasher safe.
- Dirt and grease should be removed from the control panel using a non-abrasive sponge or a soft cloth.
- Stainless steel can be marked by hard water that has been left on the surface for a long time, or by aggressive detergents containing phosphorus. After cleaning, rinse well and dry thoroughly. Any remaining drops of water should also be dried.

Inspecting the oven seals

Check the door seals around the oven regularly. If the seals are damaged, please contact your nearest After-sales Service Centre. We recommend that the oven is not used until the seals have been replaced.

Replacing the oven light bulb



1. After disconnecting the oven from the electricity mains, remove the glass lid covering the lamp socket (see figure).
2. Remove the light bulb and replace it with a similar one: voltage 230 V, wattage 25 W,

cap E 14.

3. Replace the lid and reconnect the oven to the electricity supply.

! Do not use the oven lamp as/for ambient lighting.

Cleaning the glass ceramic hob

! Do not use abrasive or corrosive detergents (for example, products in spray cans for cleaning barbecues and ovens), stain removers, anti-rust products, powder detergents or sponges with abrasive surfaces: these may scratch the surface beyond repair.

- It is usually sufficient simply to wash the hob using a damp sponge and dry it with absorbent kitchen roll.
- If the hob is particularly dirty, rub it with a special glass ceramic cleaning product, then rinse well and dry thoroughly.
- To remove more stubborn dirt, use a suitable scraper (this is not supplied with the appliance). Remove spills as soon as possible, without waiting for the appliance to cool, to avoid residues forming crusty deposits. You can obtain excellent results by using a rustproof steel wire sponge - specifically designed for glass ceramic surfaces - soaked in soapy water.
- If plastic or sugary substances have accidentally been melted on the hob, remove them immediately with the scraper, while the surface is still hot.
- Once it is clean, the hob may be treated with a special protective maintenance product: the invisible film left by this product protects the surface from drips during cooking. This maintenance should be carried out while the appliance is warm (not hot) or cold.
- Always remember to rinse the appliance well with clean water and dry it thoroughly: residues can become encrusted during subsequent cooking processes.

Assistance

Please have the following information to hand:

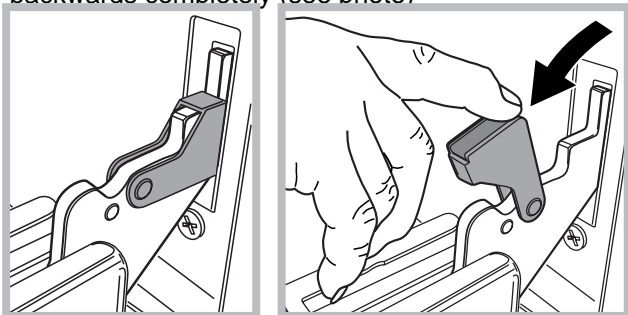
- The appliance model (Mod.).
- The serial number (S/N).

This information can be found on the data plate located on the appliance and/or on the packaging.

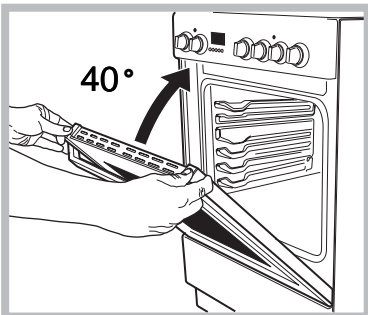
Glass ceramic hob cleaners	Available from
Window scraper Razor blade scrapers	DIY Stores
Replacement blades	DIY Stores, supermarkets, chemists
COLLO luneta HOB BRITE Hob Clean SWISSCLEANER	Boots, Co-op stores, department stores, Regional Electricity Company shops, supermarkets

Removing and fitting the oven door:

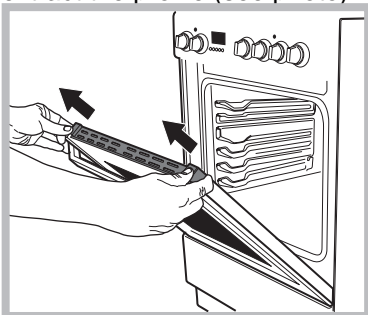
1. Open the door
2. Make the hinge clamps of the oven door rotate backwards completely (see photo)



3. Close the door until the clamps stop (the door will remain open for 40° approx.) (see photo)



4. Press the two buttons on the upper profile and extract the profile (see photo)



Product Guarantee and Repair Information

Guarantee

12 Months Parts and Labour Guarantee

Your appliance has benefit of our manufacturer's guarantee, which covers the cost of breakdown repairs for twelve months from the date of purchase.

This gives you the reassurance that if, within that time, your appliance is proven to be defective because of either workmanship or materials, we will, at our discretion, either repair or replace the appliance at no cost to you:

This guarantee is subject to the following conditions:

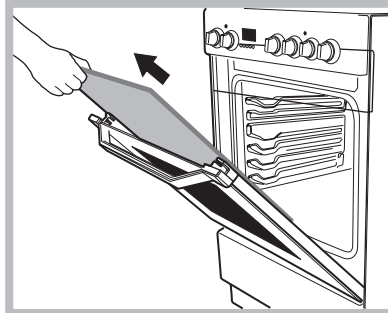
- The appliance has been installed and operated correctly and in accordance with our operating and maintenance instructions.
- The appliance is used only on the electricity or gas supply printed on the rating plate.
- The appliance has been used for normal domestic purposes only.
- The appliance has not been altered, serviced, maintained, dismantled, or otherwise interfered with by any person not authorised by us.
- Any repair work must be undertaken by us or our appointed agent.
- Any parts removed during repair work or any appliance that is replaced become our property.
- The appliance is used in the United Kingdom or Republic of Ireland.

The guarantee does not cover:

- Damage resulting from transportation, improper use, neglect or interference or as a result of improper installation.
- Replacement of any consumable item or accessory. These include but are not limited to: plugs, cables, batteries, light bulbs, fluorescent tubes and starters, covers and filters.
- Replacement of any removable parts made of glass or plastic.

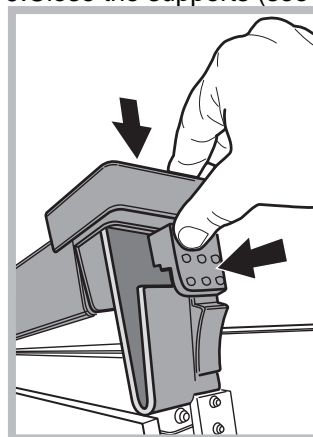
THIS GUARANTEE WILL NOT APPLY IF THE APPLIANCE HAS BEEN USED IN COMMERCIAL OR NON-DOMESTIC PREMISES.

5. Remove the glass sheet and do the cleaning as indicated in chapter: "Care and maintenance".



6. Replace the glass.
WARNING! Oven must not be operated with inner door glass removed!
WARNING! When reassembling the inner door glass insert the glass panel correctly so that the inscription written on the panel is not reversed and can be easily legible.

7. Replace the profile, a click will indicate that the part is positioned correctly.
8. Open the door completely.
9. Close the supports (see photo).



10. Now the door can be completely closed and the oven can be started for normal use.

Recycling and Disposal Information

As part of Hotpoint's continued commitment to helping the environment, Hotpoint reserves the right to use quality, recycled components to keep down customer costs and minimise material wastage.

Please dispose of packaging and old appliances carefully. To minimise the risk of injury to children, remove the door, plug, and cut the mains cable off flush with the appliance. Dispose of these parts separately to ensure that the appliance can no longer be plugged into mains socket, and the door cannot be locked shut.

Repairs and After Sales

For product help and advice, repairs, spare parts or accessories, we're here to help.

For local repair engineers - **03448 111 606**

ROI - **0818 313 413**

UK standard local rate applies

ROI local Irish rate applies

For Parts and Accessories visit:

parts.hotpoint.co.uk/shop

Please remember to register your appliance at www.hotpointservice.co.uk to activate your 10 year parts guarantee.

Please note, our advisors will require the following information:

Model number:

Serial number:

Installation

FR

! Conservez ce mode d'emploi pour pouvoir le consulter à tout moment. En cas de vente, de cession ou de déménagement, veillez à ce qu'il suive l'appareil.

! Lisez attentivement les instructions : elles contiennent des conseils importants sur l'installation, l'utilisation et la sécurité de votre appareil.

! L'installation de l'appareil doit être effectuée par un professionnel du secteur conformément aux instructions du fabricant.

! N'importe quelle opération de réglage ou d'entretien doit être effectuée après avoir débranché la prise de l'appareil.

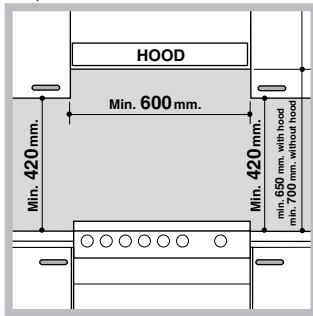
Positionnement et nivellement

! L'appareil peut être installé à côté de meubles dont la hauteur ne dépasse pas celle du plan de cuisson.

! Assurez-vous que le mur en contact avec la paroi arrière de l'appareil est réalisé en matériel ignifuge résistant à la chaleur (T 90°C).

Pour une installation correcte :

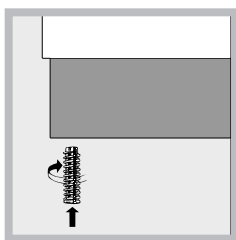
- installez cet appareil dans une cuisine, une salle à manger ou un studio (jamais dans une salle de bains);
- si le plan de cuisson de la cuisinière dépasse le plan de travail des meubles, ces derniers doivent



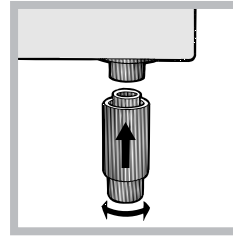
être placés à au moins 200 mm de l'appareil.
• si la cuisinière est installée sous un élément suspendu, il faut que ce dernier soit placé à au moins 420 mm de distance du plan. Il faut prévoir une distance de 700 mm si les éléments suspendus sont inflammables (voir figure);

- ne placez pas de rideaux derrière ou sur les côtés de la cuisinière à moins de 200 mm de distance.
- pour l'installation de hottes, conformez-vous aux instructions de leur notice d'emploi.

Nivellement



Pour mettre l'appareil bien à plat, vissez les pieds de réglage fournis aux emplacements prévus aux coins à la base de la cuisinière



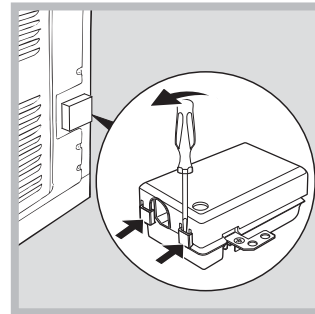
(voir figure).
Montage des pieds* fournis avec l'appareil par encastrement sous la base.

N'installez pas l'appareil derrière une porte décorative afin d'éviter toute surchauffe.

Branchement électrique

Les cuisinières électriques ne sont pas fournies équipées d'un cordon d'alimentation électrique. Elles sont conçues pour être branchées sur une alimentation électrique conforme aux données indiquées sur la plaque signalétique. Le branchement ne peut être réalisé qu'une fois que le capot arrière de la cuisinière a été déposé au moyen d'un tournevis.

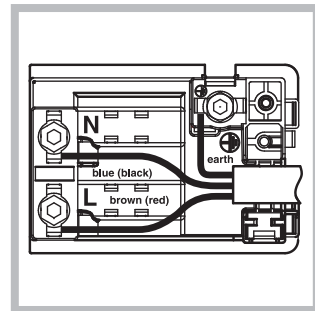
! La procédure d'installation suivante doit être réalisée par un électricien qualifié. L'installation électrique doit être conforme aux réglementations IEE, aux règlements du bâtiment et règlements locaux.



1. Ouvrir le bornier en insérant un tournevis dans les languettes latérales du couvercle. Appuyer sur le tournevis comme sur un levier pour ouvrir le couvercle (cf. schéma).

2. Desserrer la vis de serrage du câble et la déposer, au moyen d'un tournevis utilisé comme un levier (cf. figure).

3. Déposer les vis de contact des fils L-N- \perp , puis fixer les fils sous la tête des vis, en respectant le code des couleurs : noir/bleu (N), rouge/marron (L) et fil dénudé/jaune-vert (\perp).



- Une fois les branchements réalisés, serrer à fond toutes les vis des bornes.
- Fixer le câble d'alimentation à sa place au moyen de la bague de serrage et fermer le couvercle du bornier.

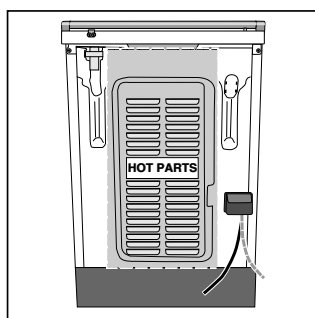
* N'existe que sur certains modèles

Branchement du câble d'alimentation électrique au réseau

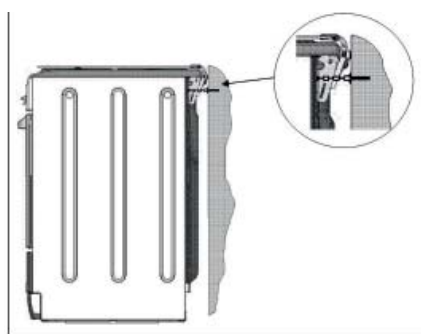
AVERTISSEMENT : CET APPAREIL DOIT ÊTRE MIS À LA TERRE.

! La cuisinière doit être branchée sur le secteur au moyen d'une prise commutée (bipolaire) pour cuisinière, munie d'un fusible, dont la capacité correspond à celle indiquée sur la plaque signalétique. Tous les câbles électriques reliant l'alimentation du consommateur à la cuisinière, par l'intermédiaire de la prise commutée bipolaire, doivent être d'un type acceptable et de la puissance minimale, comme indiqué ci-dessus

! Le câble d'alimentation doit être positionné de sorte à ce que sa température ne dépasse jamais de plus de 50°C la température ambiante. Le câble doit être à l'écart des ouvertures d'aération arrière.



La chaîne de sécurité



! Pour éviter le basculement de l'appareil, par exemple si un enfant s'accroche à la porte du four, la chaîne de sécurité DOIT être installée !

La cuisinière est équipée d'une chaîne de sécurité qui doit être fixée à l'aide d'une vis (non fournie avec l'appareil) au mur derrière l'appareil, à la même hauteur que sur la cuisinière. Choisissez une vis et un système d'ancrage adapté au mur contre lequel se trouve l'appareil. Si la vis présente un diamètre inférieur à 9 mm, utilisez une rondelle. En présence d'un mur en béton, la vis doit faire au moins 8 mm de diamètre et 60 mm de long.

Veillez à ce que la chaîne soit fixée derrière la cuisinière et au mur, comme l'indique l'illustration, de sorte à être tendue et parallèle au sol au terme de l'installation.

CARACTERISTIQUES TECHNIQUES

Dimensions du four HxLxP 32,4x43,5x41,3 cm

Volume l 59

Dimensions utiles du tiroir chauffe-plats
 largeur 42 cm
 profondeur 44 cm
 hauteur 8,5 cm

Tension et fréquence d'alimentation : voir plaquette signalétique

Plan de cuisson vitrocéramique

Avant gauche	1700 W
Arrière gauche	1200 W
Arrière droit	2100 W
Avant droit	1200 W
Absorption Max. plan de cuisson vitrocéramique	6200W

ÉTIQUETTE ÉNERGIE et ÉCOCONCEPTION - Consommation énergie convection forcée
 Fonction four : Ventilé



ECODESIGN Directive 2009/125/EC



L'étiquette collée est à l'intérieur du portillon ou sur la paroi intérieure gauche (visible après avoir sorti le tiroir chauffe-plats).

Utilisation du four

FR

! Lors de son premier allumage, faire fonctionner le four à vide, porte fermée, pendant au moins une heure en réglant la température à son maximum. Puis éteindre le four, ouvrir la porte et aérer la pièce. L'odeur qui se dégage est due à l'évaporation des produits utilisés pour protéger le four.


! Avant toute utilisation, enlever les pellicules plastiques sur les côtés de l'appareil

Utilisation du four

1. Choisissez le mode de cuisson souhaité en tournant la manette du SÉLECTEUR.
2. Choisissez la température souhaitée au moyen de la manette GRILL VARIABLE. Consultez le tableau des conseils de cuisson pour les fonctions de cuisson et les suggestions de température (cf. Fonctions de cuisson).
3. Une fois que le préchauffage est terminé, le voyant du THERMOSTAT reste allumé : enfournez les aliments à cuire.
4. Pendant la cuisson, vous pouvez :
 - changer le mode de cuisson en tournant la manette du SÉLECTEUR.
 - changer la température en tournant la manette GRILL VARIABLE.
 - interrompre la cuisson en tournant la manette du SÉLECTEUR en position « 0 ».

! Ne jamais poser d'objet directement sur le fond du four pour éviter d'endommager l'émail.

! Toujours poser les plats à four sur la (les) grille(s) fournie(s).

Si vous tournez la manette du SÉLECTEUR vers la droite jusqu'au symbole , le ventilateur et le voyant du four s'allument pour permettre la décongélation des aliments surgelés. En continuant à tourner jusqu'aux températures indiquées sur le cadran, vous pouvez choisir celle qui est la mieux adaptée aux aliments que vous allez enfourner (fonction chaleur tournante). Le thermostat du four permet d'atteindre et de contrôler automatiquement la température (entre 60°C et 240°C).

Grill

La résistance du haut s'allume. Sur ce réglage, la cuisson des aliments se produit grâce à la radiation thermique descendante provenant de la résistance. La température très élevée et la chaleur directe du four permettent de dorer les viandes en surface, tout en préservant leur jus et leur tendreté.

! Ne jamais poser d'objet directement sur le fond du four pour éviter d'endommager l'émail. Utiliser seulement la position 1 du four pour une cuisson en fonction rôtissoire.


! Toujours poser les plats à four sur la (les) grille(s) fournie(s).

! Cuire dans la porte du four fermée

Voyant THERMOSTAT

Allumé, il signale la montée en chaleur du four. Il s'éteint dès que la température sélectionnée est atteinte. Le voyant s'allume et s'éteint tour à tour pour indiquer que le thermostat fonctionne et maintient la température au degré près.

Eclairage du four

Pour cette fonction, tourner la manette du SÉLECTEUR dans une position autre que « 0 ». Le voyant reste allumé tant que le four est en service. En choisissant la position , le voyant s'allume sans qu'aucune résistance ne soit activée.


Ventilation de refroidissement*

Pour refroidir la température extérieure du four, certains modèles sont équipés d'un ventilateur de refroidissement qui souffle de l'air entre le tableau de commande et la porte du four.

! Une fois la cuisson terminée, le ventilateur de refroidissement reste allumé jusqu'à ce que le four ait suffisamment refroidi.

Utiliser le programmateur fin de cuisson

1. Il faut avant tout remonter la sonnerie en faisant faire un tour presque complet au bouton PROGRAMMATEUR FIN DE CUISSON dans le sens des aiguilles d'une montre.
2. Puis en faisant marche arrière, sélectionner le temps désiré en amenant les minutes indiquées sur le bouton PROGRAMMATEUR FIN DE CUISSON en face du repère fixe du tableau de bord.
3. Une fois le temps écoulé, un signal sonore retentit et le four s'éteint.
4. Quand le four est éteint, le programmateur fin de cuisson peut être utilisé comme une simple minuterie.

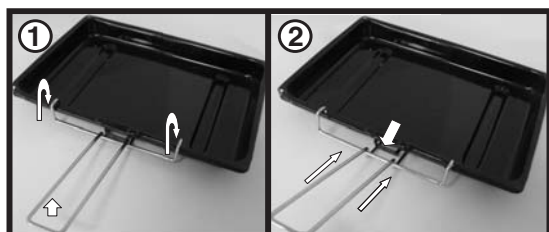
! Pour utiliser le four en fonctionnement manuel, c'est-à-dire sans programmateur fin de cuisson, amener le bouton PROGRAMMATEUR FIN DE CUISSON en face du symbole .

Utilisation de la plaque grill

La poignée du grill est détachable pour en faciliter le nettoyage et le rangement. Installez soigneusement la poignée du grill avant de l'utiliser :

1. Montez la poignée du grill de sorte que les 'crochets' extérieurs épousent le bord de la plaque (fig. 1)
2. Veillez à ce que la partie médiane de la poignée épouse parfaitement le support en saillie de la plaque (fig. 2) et la tienne à partir du bas.

Placez les aliments sur la grille de la plaque grill. Positionnez la plaque sur la grille du four. Pour obtenir les meilleurs résultats, placez la grille du four le plus haut possible. Si vous versez une petite quantité d'eau dans la plaque grill, cela permettra un recueil plus efficace des particules de graisse et évitera la formation de fumée.



Conseils de cuisson

! En cas de cuisson en mode GRIL, placer la lèchefrite au gradin 1 pour récupérer les jus de cuisson.

GRIL

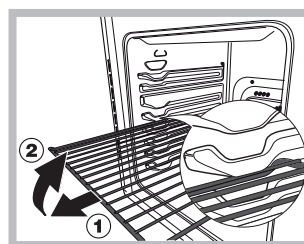
- Placer la grille au gradin 3 ou 4, enfourner les plats au milieu de la grille.
- Nous conseillons de sélectionner le niveau d'énergie maximum. Ne pas s'inquiéter si la résistance de voûte n'est pas allumée en permanence: son fonctionnement est contrôlé par un thermostat.

PIZZA

- Utiliser un plat en aluminium léger et l'enfourner sur la grille du four.

En cas d'utilisation du plateau émaillé, le temps de cuisson sera plus long et la pizza beaucoup moins croustillante.

- Si les pizzas sont bien garnies, n'ajouter la mozzarella qu'à mi-cuisson.



ATTENTION ! Le four est équipé d'un système d'arrêts de grilles qui permet de les retirer sans que ces dernières sortent entièrement du four. (1) Pour sortir complètement les grilles il suffit, comme illustré, de les soulever en

les saisissant par l'avant et de les tirer (2).

Tableau de cuisson

Cuisson des aliments suivants	Poids (wt)	Position sur les étagères depuis le bas	Température (°C)	Grill variable	Temps de préchauffage (mn)	Temps de cuisson (mn)
Pâtes						
Lasagne	2.5	3	210	MAXI	-	75-80
Cannelloni	2.5	3	210		-	75-80
Pâtes cuites au four	2.5	3	210		-	75-80
Viande						
Veau	1.7	3	230		-	85-90
Poulet	1.5	3	220		-	110-115
Dinde	3.0	3	MAXI	MAXI	-	95-100
Canard	1.8	3	230		-	120/125
Lapin	2	3	230		-	105/110
Porc	2.1	3	230		-	100/110
Agneau	1.8	3	230		-	90-95
Poisson						
Maquereau	1.1	3	210-230	MAXI	-	55-60
Denté	1.5	3	210-230		-	60-65
Truite en papillote	1.0	3	210-230		-	40-45
Pizza						
Napolitaine	1.0	3	MAXI	MAXI	15	30-35
Pâtisserie						
Biscuits	0.5	3	180		15	30-35
Tartes	0.1	3	180	MAXI	15	30-35
Gâteau au chocolat	1	3	200		15	45-50
Gâteaux avec levure	1	3	200		15	50/55
Cuisson au grill						
Pain grillé	n° 4	4			5	5-6
Côtes de porc	1.5	4		3/4	5	20-30
Maquereau	1.1	4			5	20-30

Remarque : les temps de cuisson sont approximatifs et peuvent varier selon les goûts personnels.

Utilisation du plan de cuisson vitrocéramique

FR

! La colle utilisée pour les joints laisse des traces de graisse sur le verre. Nous conseillons de les éliminer avant d'utiliser l'appareil à l'aide d'un produit d'entretien non abrasif. Une odeur de caoutchouc peut se dégager au cours des premières heures d'utilisation, elle disparaîtra très vite.

Allumer et éteindre les foyers

Pour allumer un foyer, tourner le bouton correspondant dans le sens des aiguilles d'une montre.

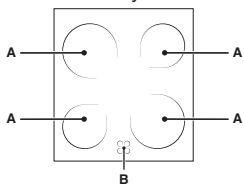
Pour l'éteindre, tourner le bouton dans le sens inverse des aiguilles d'une montre jusqu'à "0".

L'allumage du voyant FONCTIONNEMENT FOYERS signale qu'au moins un foyer du plan de cuisson est allumé.

Les foyers

Le plan de cuisson est équipé d'éléments chauffants électriques radiants. Ils deviennent rouges pendant leur fonctionnement :

A. Foyers radiants



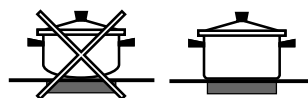
B. Voyant de chaleur résiduelle : il signale une température supérieure à 60°C du foyer correspondant et ce même après extinction de ce dernier.

Foyers radiants

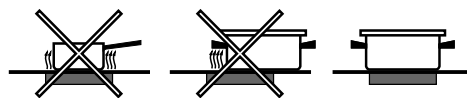
Les résistances circulaires des foyers radiants deviennent rouges 10-20 secondes à peine après allumage.

Conseils d'utilisation du plan de cuisson

- Utiliser des casseroles à fond plat et de forte épaisseur pour qu'elles adhèrent parfaitement à la zone de chauffe ;



- utiliser des casseroles dont le diamètre couvre complètement la zone de chauffe de façon à exploiter au mieux toute la chaleur disponible ;



- s'assurer que le fond des casseroles est parfaitement sec et propre : l'adhérence aux foyers sera ainsi optimale et tant les casseroles que le plan de cuisson dureront plus longtemps ;
- éviter d'utiliser des casseroles qui sont aussi utilisées sur les brûleurs à gaz : la concentration de chaleur des brûleurs à gaz peut déformer le fond de la casserole qui perd son adhérence ;
- ne jamais laisser un foyer allumé sans casserole, il risque de s'endommager.

Pos.	Piastra normale o rapida
0	Spento
1	Cottura di verdure, pesci
2	Cottura di patate (a vapore) minestre, ceci, fagioli
3	Proseguimento di cottura di grandi quantità di cibi, minestrone
4	Arrostire (medio)
5	Arrostire (forte)
6	Rosolare o raggiungere bollitura in poco tempo

! Cet appareil a été conçu et fabriqué conformément aux normes internationales de sécurité. Ces conseils sont fournis pour des raisons de sécurité et doivent être lus attentivement.

Sécurité générale

- Le plan de cuisson vitrocéramique résiste aux sautes de température et aux chocs. N'oubliez toutefois pas que des lames ou des ustensiles de cuisine pointus peuvent casser la surface du plan de cuisson. En cas de cassure, débranchez immédiatement l'appareil du secteur, faites appel à un service après-vente agréé et exigez l'utilisation de pièces détachées d'origine. Le non respect de ces indications peut compromettre la sécurité de l'appareil.
- Si la surface de la table est fêlée, éteindre l'appareil pour éviter tout risque d'électrocution.
- Cet appareil a été conçu pour un usage familial, de type non professionnel.
- Cet appareil ne doit pas être installé en extérieur, même dans un endroit abrité, il est en effet très dangereux de le laisser exposé à la pluie et aux orages.
- Ne touchez pas à l'appareil si vous êtes pieds nus ou si vous avez les mains ou les pieds mouillés ou humides.
- **Cet appareil qui sert à cuire des aliments ne doit être utilisé que par des adultes conformément aux instructions du mode d'emploi. Toute autre utilisation (comme par exemple le chauffage d'une pièce) est impropre et donc dangereux. Le fabricant décline toute responsabilité en cas de dommages provoqués par un usage impropre ou erroné.**
- Cette notice concerne un appareil classe 1 (libre pose) ou classe 2 - sous-classe 1 (encastré entre deux meubles).
- **En cours de fonctionnement, les éléments chauffants et certaines parties du four deviennent très chaudes. Attention à ne pas les toucher et à garder les enfants à distance.**
- Evitez que le cordon d'alimentation d'autres petits électroménagers touche à des parties chaudes de l'appareil.
- Les orifices ou les fentes d'aération ou d'évacuation de la chaleur ne doivent pas être bouchés
- Utilisez toujours des gants de protection pour enfourner ou sortir des plats du four.
- Ne posez pas d'objets lourds sur la porte du four ouverte.
- N'utilisez pas de solutions inflammables (alcool, essence..) à proximité de l'appareil lorsqu'il est en marche.
- Ne stockez pas de matériel inflammable dans la niche de rangement du bas ou dans le four : si l'appareil était par inadvertance mis en marche, il pourrait prendre feu.

- Les surfaces intérieures du tiroir (s'il y en a un) peuvent devenir chaudes.
- Quand l'appareil n'est pas utilisé, assurez-vous toujours que les boutons sont bien sur la position
- Ne tirez surtout pas sur le câble pour débrancher la fiche de la prise de courant.
- N'effectuez aucune opération de nettoyage ou d'entretien sans avoir auparavant débranché la fiche de la prise de courant.
- En cas de panne, n'essayez en aucun cas d'accéder aux mécanismes internes pour tenter de réparer l'appareil. Faites appel au service d'assistance.
- **Si la cuisinière est installée sur un socle, prenez les précautions qui s'imposent pour que l'appareil ne tombe pas de ce socle.**

Mise au rebut

- Mise au rebut du matériel d'emballage : conformez-vous aux réglementations locales, les emballages pourront ainsi être recyclés.
- La Directive Européenne 2002/96/EC sur les Déchets des Equipements Electriques et Electroniques (DEEE), exige que les appareils ménagers usagés ne soient pas jetés dans le flux normal des déchets municipaux. Les appareils usagés doivent être collectés séparément afin d'optimiser le taux de récupération et le recyclage des matériaux qui les composent et réduire l'impact sur la santé humaine et l'environnement. Le symbole de la "poubelle barrée" est apposé sur tous les produits pour rappeler les obligations de collecte séparée. Les consommateurs devront contacter les autorités locales ou leur revendeur concernant la démarche à suivre pour l'enlèvement de leur vieil appareil.

Economies et respect de l'environnement

- Évitez, dans la mesure du possible, de préchauffer le four et veuillez toujours le remplir. Ouvrez le moins possible la porte de votre four, car chaque ouverture laisse échapper la chaleur. Pour faire des économies considérables d'énergie, éteignez le four cinq à dix minutes avant la fin du temps de cuisson programmé et utilisez la chaleur dégagée par le four.
- Gardez les joints propres et bien rangés afin d'éviter toute perte d'énergie par la porte.
- Si vous avez souscrit un plan tarifaire particulier auprès de la compagnie d'électricité, vous pouvez économiser en faisant fonctionner votre appareil lorsque l'énergie vous revient moins chère.
- La base de votre casserole ou de votre poêle doit couvrir la plaque chauffante. Si elle est plus petite, une quantité précieuse d'énergie sera perdue et les casseroles qui débordent laisseront des résidus incrustés qui peuvent être difficiles à enlever.

Nettoyage et entretien

FR

- Faites cuire vos aliments dans des casseroles ou des poêles à couvercle et utilisez le moins d'eau possible. Faire cuire les aliments dans des casseroles ouvertes augmente considérablement la consommation d'énergie.
- Utilisez exclusivement des casseroles et poêles à fond plat.
- Si vous cuisinez un aliment qui nécessite beaucoup de temps, il est préférable d'utiliser un autocuiseur qui est deux fois plus rapide et économise un tiers de l'énergie.

Mise hors tension

Avant toute opération de nettoyage ou d'entretien coupez l'alimentation électrique de l'appareil.

! Ne nettoyez jamais l'appareil avec des nettoyeurs vapeur ou haute pression.

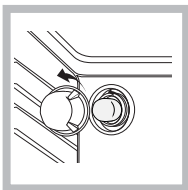
Nettoyage du four

- Nettoyez l'extérieur émaillé ou inox et les joints en caoutchouc à l'aide d'une éponge imbibée d'eau tiède additionnée de savon neutre. Si les taches sont difficiles à enlever, utilisez des produits spéciaux. Il est conseillé de rincer abondamment et d'essuyer après le nettoyage. N'utilisez ni poudres abrasives ni produits corrosifs.
- Nettoyez l'enceinte après toute utilisation, quand le four est encore tiède. Utilisez de l'eau chaude et du détergent, rincez et séchez avec un chiffon doux. Évitez tout produit abrasif, des éponges non grattantes, essuyer ensuite avec un chiffon
- Nettoyer la vitre de la porte avec des produits non abrasifs et doux. Ne pas utiliser de matériaux abrasifs ou de racloirs métalliques aiguisés qui risquent de rayer la surface et de briser le verre.
- Les accessoires peuvent être lavés comme de la vaisselle courante y compris en lave-vaisselle.
- Pour éliminer la graisse et la saleté du tableau de bord, nettoyez-le avec une éponge non abrasive ou avec un chiffon doux.

Contrôler les joints du four

Contrôlez périodiquement l'état du joint autour de la porte du four. S'il est abîmé, adressez-vous au service après-vente le plus proche de votre domicile. Mieux vaut ne pas utiliser le four tant qu'il n'est pas réparé.

Remplacement de l'ampoule d'éclairage du four



1. Débranchez le four, enlevez le couvercle en verre du logement de la lampe (voir figure).
2. Dévissez l'ampoule et remplacez-la par une autre de même type : tension 230 V, puissance 25 W, culot E 14.
3. Remontez le couvercle et rebranchez le four au réseau électrique.

! Ne pas utiliser la lampe du four comme éclairage de la pièce.

Nettoyage du plan de cuisson vitrocéramique

! N'utilisez jamais de détergents abrasifs ou corrosifs, tels que des bombes aérosols pour grilloirs et fours, des détacheurs et dérouilleurs, des poudres à récurer ou des éponges à surface abrasive : ils risquent de rayer irrémédiablement la surface.

- Pour un entretien courant, passez une éponge humide sur la surface de la table et séchez avec du papier essuie-tout.
- Si la table est sale, frottez avec un produit d'entretien adapté au verre vitrocéramique, rincez et essuyez.
- Pour enlever les salissures en relief, utilisez un grattoir spécial (pas fourni avec l'appareil). Intervenez dès que possible, n'attendez pas que l'appareil ait refroidi afin d'éviter toute incrustation des salissures. L'utilisation d'une éponge en fil d'acier inoxydable, spéciale verre vitrocéramique, imprégnée d'eau savonneuse donne d'excellents résultats.
- Tout objet, matière plastique ou sucre ayant accidentellement fondu sur la table de cuisson doit être aussitôt enlevé à l'aide du grattoir tant que la surface est encore chaude.
- Une fois que la table est propre, vous pouvez appliquer un produit d'entretien et de protection spécial : celui-ci forme un film invisible qui protège la surface en cas de débordement accidentel. Opérez de préférence quand l'appareil est tiède ou froid.
- Prenez soin de toujours bien rincer à l'eau claire et de sécher la table : les résidus des produits pourraient en effet s'incruster lors d'une prochaine cuisson.

Nettoyage de l'acier inox

Des taches peuvent se former sur l'acier inox si ce dernier reste trop longtemps au contact d'une eau très calcaire ou de détergents agressifs contenant du phosphore. Nous vous conseillons de rincer abondamment et de bien essuyer.

Assistance

Indiquez-lui :

- le modèle de votre appareil (Mod.)
- son numéro de série (S/N)

Ces informations figurent sur la plaquette signalétique apposée sur votre appareil et/ou sur son emballage.

Produits de nettoyage spéciaux pour vitrocéramique	Où les acheter
Raclette f lames et lames de rechange	Bricolage et quincaillerie
Stahl-Fix SWISSCLEANER WK TOP Autres produits pour vitrocéramique	Articles ménagers Bricolage Quincaillerie Supermarchés

Nettoyage automatique du four par catalyse*

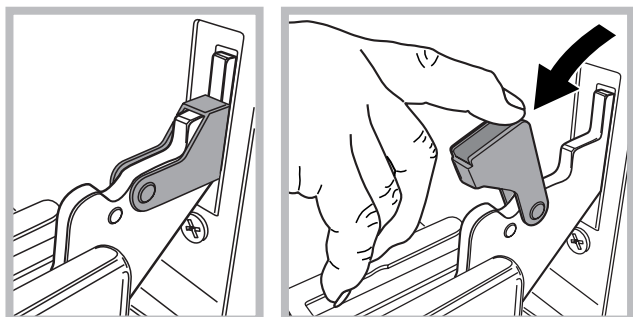
Dans certains modèles de four, les parois verticales intérieures sont revêtues d'un émail poreux dit émail catalytique. Il a pour propriété de détruire les corps gras sous l'effet de la chaleur. Ceci est possible quand la température des parois dépasse 170°C.

En fin de cuisson, s'il y a encore des traces de graisse sur les parois catalytiques, continuez à faire fonctionner le four, à vide, porte fermée, en amenant le bouton FOUR sur la position MAX, pendant un laps de temps compris entre 60 et 90 minutes selon le degré de salissure. Vous pouvez accélérer le dégraissage en nettoyant les projections alimentaires plus importantes avec un peu d'eau chaude et une brosse souple.

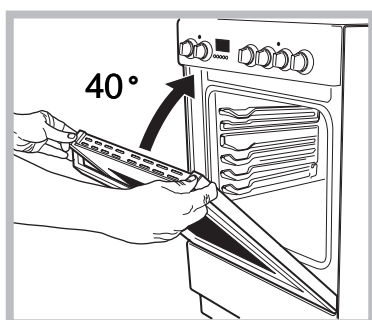
! L'émail catalytique est résistant mais il faut éviter :
de gratter l'émail avec des objets tranchants (couteaux ...)
et d'utiliser des détergents ou des produits de nettoyage abrasifs, les propriétés autonettoyantes de l'émail risqueraient autrement d'être détruites irrémédiablement.

Démontage et remontage de la porte du four :

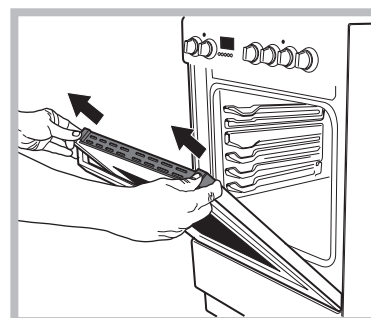
1. Ouvrir la porte
2. Faire pivoter à l'arrière les crochets des charnières de la porte du four (voir photo)



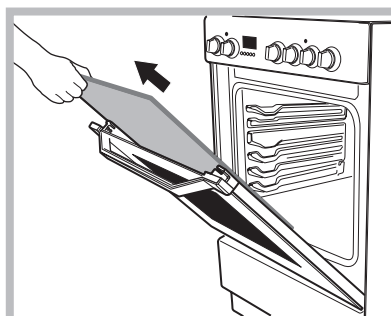
3. Refermer la porte jusqu'à l'arrêt du crochet (la porte restera ouverte à 40° environ) (voir photo)



4. Appuyer sur les deux boutons placés sur le profil supérieur et retirer le profil (voir photo)



5. Retirer la plaque de verre, procéder au nettoyage comme indiqué au chapitre : « Nettoyage et entretien



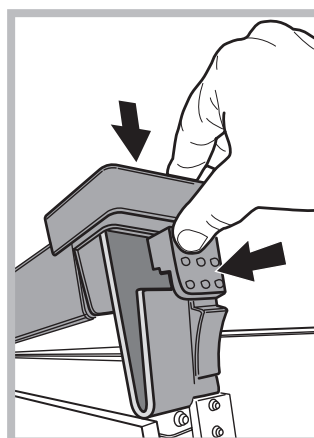
6. Remonter la vitre.

AVERTISSEMENT: Le four ne doit pas être utilisé avec la porte du four en verre enlevé.

AVERTISSEMENT: Réassembler le verre correctement afin que le signe sur le verre est correctement lisible.

7. Remonter le profil, un clic signale si la pièce est positionnée comme il faut.

8. Ouvrir la porte complètement.
9. Refermer les cavaliers (voir photo)



10. Il est à présent possible de fermer complètement la porte, pour faire fonctionner le four.

* N'existe que sur certains modèles

Instalación

ES

! Es importante conservar este manual para poder consultarlo en todo momento. En caso de venta, cesión o traslado, controle que permanezca junto al aparato.

! Lea atentamente las instrucciones: contienen información importante sobre la instalación, el uso y la seguridad.

! La instalación del aparato se debe realizar siguiendo estas instrucciones y por personal calificado.

! Cualquier intervención de regulación o mantenimiento se debe efectuar con la cocina desconectada de la red eléctrica.

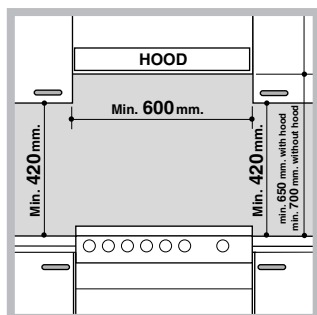
Colocación y nivelación

! Es posible instalar el aparato al lado de muebles que no sean más altos que la superficie de trabajo.

! Verifique que la pared que está en contacto con la parte posterior del aparato sea de material no inflamable y resistente al calor (90°C).

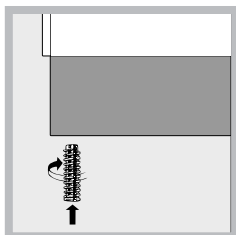
Para una correcta instalación:

- coloque el aparato en la cocina, en el comedor o en un monocal (no en el cuarto de baño);
- si la parte superior de la cocina es más alta que la de los muebles, los mismos se deben ubicar, como mínimo, a 600 mm del aparato;
- si la cocina se instala debajo de un armario de pared, este último deberá mantener una distancia



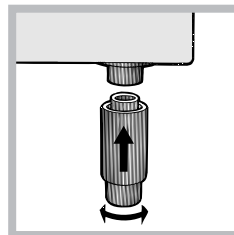
mínima del plano de cocción de 420 mm. Si los armarios son de material inflamable, dicha distancia debe ser de 700 mm. (ver la figura);

- no coloque cortinas detrás de la cocina o a menos de 200 mm. de sus costados;
- las campanas se deben instalar siguiendo las indicaciones contenidas en el correspondiente manual de instrucciones.



Nivelación

Si es necesario nivelar el aparato, enrosque las patas de regulación suministradas, en los ángulos de la base de la cocina (ver la figura).



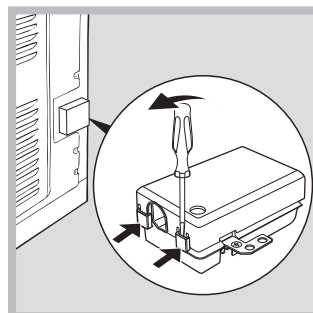
Las patas* se encastran en la base de la cocina.

El aparato no se puede instalar detrás de una puerta decorativa con el fin de evitar el sobrecalentamiento

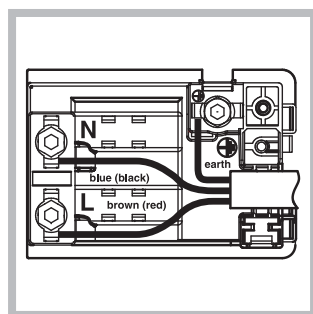
Conexión eléctrica

Las cocinas eléctricas se suministran sin cable de alimentación eléctrica. La cocina está diseñada para funcionar con los valores de alimentación eléctrica indicados en la placa de datos. La cocina se puede conectar a la red de suministro eléctrico luego de quitar el panel posterior utilizando un destornillador.

! El siguiente procedimiento de instalación debe ser llevado a cabo por un electricista calificado. La instalación eléctrica debe cumplir con los reglamentos IEE y las normas de construcción y locales.



1. Abrir el tablero de terminales insertando un destornillador en las lengüetas laterales de la tapa. Hacer palanca con el destornillador empujando hacia abajo para abrir la tapa (ver el diagrama).



2. Aflojar el tornillo de fijación del cable y quitarlo haciendo palanca con un destornillador (ver la figura).

3. Quitar los tornillos de contacto L-N- \perp y fijar los cables debajo de las cabezas de los tornillos, respetando los colores: Negro / Azul (N), Rojo / Marrón (L) y Cable pelado / Amarillo-Verde (\perp).

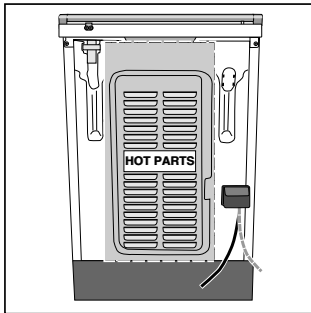
- Una vez realizadas las conexiones, apretar a fondo todos los tornillos de los terminales.
- Fijar el cable de alimentación en su lugar con la abrazadera y cerrar la tapa del tablero de terminales.

Conexión del cable de alimentación a la red de suministro eléctrico

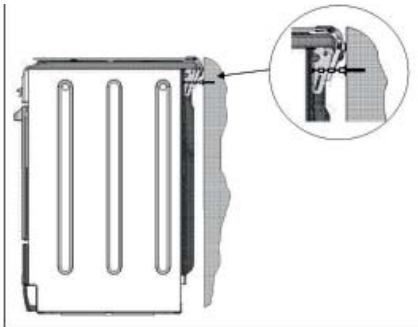
ADVERTENCIA: ESTE APARATO SE DEBE CONECTAR A TIERRA.

! La cocina se debe conectar a la red de suministro eléctrico mediante una toma bipolar dotada de interruptor y fusibles de la capacidad indicada en la placa de datos. El cableado eléctrico de la cocina a la red mediante la toma bipolar con interruptor debe ser del tipo adecuado y debe responder a los valores indicados.

! El cable de alimentación debe colocarse de modo que nunca alcance una temperatura 50°C superior a la temperatura ambiente. El cable debe tenderse lejos de los ventiladores traseros.



La cadena de seguridad




! Para impedir la inclinación accidental del aparato, por ejemplo en caso de que un niño intente trepar la puerta del horno, es **NECESARIO** instalar la ca-

dena de seguridad!

La cocina tiene una cadena de seguridad que debe fijarse a través de un tornillo (no suministrado con la cocina) en la pared detrás del aparato, a la misma altura donde la cadena está vinculada al aparato. Elegir el tornillo y el ancla de tornillo según el tipo de material de la pared detrás del aparato. Si la cabeza del tornillo tiene un diámetro inferior a 9 mm, es necesario utilizar una arandela. Para las paredes de cemento se necesita un tornillo de al menos 8 mm de diámetro y 60mm de longitud.

Asegurarse de que la cadena esté vinculada a la pared posterior de la cocina y a la pared, según ilustrado en la figura, de manera que esté tensionada y paralela al terreno después de la instalación.

TABLA DE CARACTERÍSTICAS	
Dimensiones del Horno HxLxP	32,4x43,5x41,3 cm
Volumen	litros 59
Dimensiones útiles del cajón calentaplatos	ancho 44 cm. profundidad 42 cm. altura 8,5 cm.
Tensión y frecuencia de alimentación	ver placa de características
Encimera de cerámica	
Delantera izquierda	1700W
Posterior izquierda	1200W
Posterior derecha	2100W
Delantera derecha	1200W
Absorción de las encimeras de cerámica Máx	6200W
<p>ETIQUETA DE ENERGÍA y ECODEISEÑO</p> <p>Consumo de energía por convección Forzado función de calentamiento: Ventilado</p>	
<p>CE</p> <p> ECODESIGN Directive 2009/125/EC</p>	

La placa de características es situada en el interior de la puerta volcable o, una vez abierto el cajón calienta-plateos, en el costado interior izquierdo del mismo.

! La primera vez que encienda el horno, hágalo funcionar vacío, durante una hora aproximadamente, con el termostato al máximo y con la puerta cerrada. Luego apáguelo, abra la puerta y airee el ambiente en el que se encuentra. El olor que se advierte es debido a la evaporación de las sustancias utilizadas para proteger el horno.


! No apoye nunca objetos en el fondo del horno porque se puede dañar el esmalte.

Puesta en funcionamiento del horno

1. Seleccionar el modo de cocción deseado girando el SELECTOR.
2. Seleccionar la temperatura deseada con el pomo GRILL VARIABLE. Consultar los modos y las temperaturas de cocción en la tabla de consejos de cocción (ver Modos de cocción).
3. Al finalizar el precalentamiento, la luz del indicador TERMOSTATO queda encendida: poner la comida en el horno.
4. Durante la cocción es posible:
 - cambiar el modo de cocción girando el SELECTOR.
 - cambiar la temperatura girando el pomo GRILL VARIABLE.
 - detener la cocción girando el SELECTOR a la posición "0".

! No apoyar objetos directamente sobre el fondo del horno, ya que podría dañarse el revestimiento de esmalte.

! Apoyar las fuentes de cocción sobre los estantes suministrados.

Cuando el SELECTOR se gira en el sentido de las agujas del reloj hasta el símbolo , el ventilador y la luz del horno se encienden para asistir la descongelación de alimentos congelados. Girándolo aún más, abarcando el intervalo completo de temperaturas del cuadrante, es posible elegir el modo más adecuado para la comida que se va a cocinar (modo asistido por ventilador). La temperatura es alcanzada automáticamente y controlada por el termostato (de 60°C a 240°C).

Grill

La resistencia superior se enciende. La cocción se produce por la radiación térmica emitida hacia abajo por la resistencia eléctrica. La muy alta temperatura y el calor directo del grill permiten dorar la carne en la superficie manteniéndola tierna y jugosa por dentro.

! No apoyar objetos directamente sobre el fondo del horno, ya que podría dañarse el revestimiento de esmalte. Utilizar sólo la posición 1 en el horno para cocinar con espetón.


! Apoyar las fuentes de cocción sobre los estantes suministrados.

! Utilice el horno con la puerta cerrada.

Piloto TERMOSTATO

Si está encendido, indica que el horno está produciendo calor. Se apaga cuando en el interior del horno se alcanza la temperatura seleccionada. En ese momento, el piloto se enciende y se apaga alternativamente indicando que el termostato está en funcionamiento y mantiene la temperatura constante.

Luz del horno

Se enciende girando el SELECTOR a cualquier posición que no sea "0". Permanece encendida mientras el horno está en funcionamiento. Al seleccionar , la luz se enciende sin que se active ninguna de las resistencias.


Ventilación de enfriamiento*

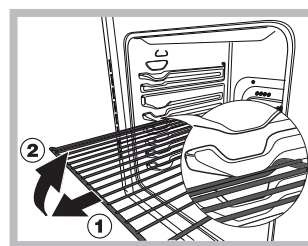
Para bajar la temperatura externa del horno, algunos modelos están dotados de un ventilador de enfriamiento que emite aire entre el panel de control y la puerta del horno.

! Una vez terminada la cocción, el ventilador de enfriamiento sigue funcionando hasta que el horno se haya enfriado lo suficiente.

Utilice el temporizador de fin de la cocción*

1. Antes que nada es necesario cargar el timbre girando el mando TEMPORIZADOR DE FIN DE COCCIÓN un giro casi completo en sentido horario.
2. Volviendo hacia atrás en sentido antihorario, fije el tiempo deseado haciendo coincidir los minutos indicados en el mando TEMPORIZADOR DE FIN DE COCCIÓN con la referencia fija que se encuentra en el panel de control.
3. Una vez cumplido el tiempo, se emitirá una señal sonora y el horno se apagará.
4. Cuando el horno está apagado, el temporizador de fin de la cocción se puede utilizar como un normal contador de minutos.

! Para utilizar el horno con funcionamiento manual, o sea, excluyendo el temporizador de fin de cocción, es necesario girar el mando TEMPORIZADOR DE FIN DE COCCIÓN hasta el símbolo .



ATENCIÓN! El horno está dotado de un sistema de bloqueo de las parrillas que permite quitarlas sin que sobresalgan del horno (1). Para quitar completamente las parrillas, como se indica en el dibujo, es suficiente levantarlas cogiéndolas de la parte delantera y tirar (2).

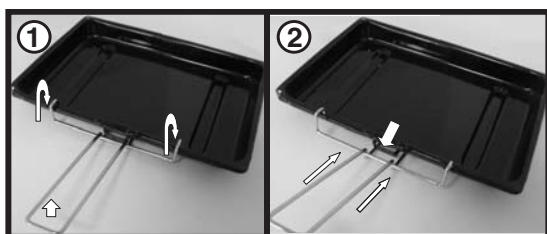
Uso de la sartén para grill

El asa de la sartén para grill se puede desmontar de la sartén para facilitar su limpieza y almacenaje. Fijar el asa con firmeza antes del uso:

1. Encastrar el asa en la sartén de modo que los ganchos externos abracen el borde de la sartén (fig. 1).
2. Asegurarse de que la parte media del asa se encastre exactamente en el soporte saliente de la sartén (fig. 2) y sostenga la sartén desde abajo.

La comida se debe colocar dentro de la sartén sobre el estante.

Poner la sartén para grill sobre el estante del horno. Los mejores resultados se obtienen utilizando los estantes superiores del horno. El añadido de un poco de agua en la sartén facilita la recogida de las partículas de grasa y previene la formación de humo.



Consejos prácticos de cocción

! En las cocciones al GRILL, coloque la grasera en la posición 1 para recoger los residuos de cocción (jugos y/o grasas).

GRILL

- Introduzca la parrilla en la posición 3 o en la 4 y coloque los alimentos en el centro de la parrilla.
- Se aconseja fijar el nivel de energía en el valor máximo. No se alarme si la resistencia superior no permanece constantemente encendida: su funcionamiento está controlado por un termostato.

PIZZA

- Utilice una bandeja para pizza de aluminio liviano apoyándola sobre la parrilla suministrada con el horno. Utilizando la grasera aumenta el tiempo de cocción y difícilmente se obtiene una pizza crocante.
- En el caso de pizzas muy condimentadas es aconsejable colocar la mozzarella (queso típico de Italia) en la mitad de la cocción.

Tabla de cocción

Alimento	Peso	Posición de cocción de los estantes contando desde abajo	Temperatura (°C)	Grill variable	Tiempo de precalentamiento (min.)	Tiempo de cocción (min.)
Pasta				MÁX.		
Lasañas	2.5	3	210		-	75-80
Canelones	2.5	3	210		-	75-80
Fideos al horno	2.5	3	210		-	75-80
Carne				MÁX.		
Ternera	1.7	3	230		-	85-90
Pollo	1.5	3	220		-	110-115
Pavo	3.0	3	MÁX.		-	95-100
Pato	1.8	3	230		-	120/125
Conejo	2	3	230		-	105/110
Cerdo	2.1	3	230		-	100/110
Cordero	1.8	3	230		-	90-95
Pescado				MÁX.		
Caballa	1.1	3	210-230		-	55-60
Dentón	1.5	3	210-230		-	60-65
Trucha a la papillote	1.0	3	210-230		-	40-45
Pizza			MÁX.	MÁX.		30-35
Napolitana	1.0	3			15	
Tortas				MÁX.		30-35
Galletas	0.5	3	180		15	30-35
Tartas	0.1	3	180		15	45-50
Torta de chocolate	1	3	200		15	50/55
Bizcocho	1	3	200		15	
Cocción grill				3/4		
Pan tostado	n° 4	4			5	5-6
Chuletas de cerdo	1.5	4			5	20-30
Caballa	1.1	4			5	20-30

Nota: los tiempos de cocción son aproximados y pueden variar de acuerdo con el gusto personal.

Uso de la encimera de vitrocerámica

ES

! La cola aplicada sobre las juntas deja algunas trazas de grasa en el vidrio. Antes de utilizar el aparato, se recomienda eliminarlas con un producto específico para el mantenimiento, no abrasivo. Durante las primeras horas de funcionamiento, es posible advertir un olor a goma que pronto desaparecerá.

Encender y apagar las zonas de cocción

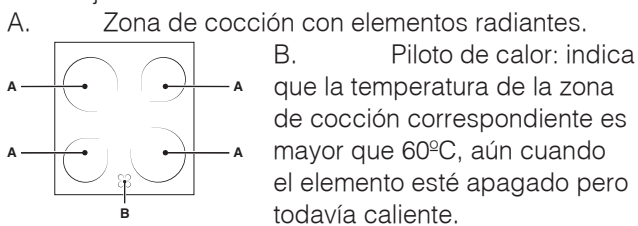
Para encender una zona de cocción gire en sentido horario el mando correspondiente.

Para apagarla, gire el mando en sentido antihorario hasta el "0".

El piloto FUNCIONAMIENTO DE PLACAS encendido señala que, como mínimo, una placa de la encimera está funcionando.

Las zonas de cocción

En la encimera hay elementos calentadores eléctricos radiantes. Durante el funcionamiento se vuelven de color rojo:



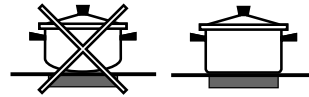
Zona de cocción con elementos radiantes

Los elementos calentadores radiantes están constituidos por elementos calentadores circulares que se vuelven rojos después de 10-20 segundos del encendido.

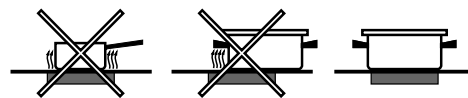
Posición	Placa normal o rápida
0	Apagado
1	Cocción de verduras, pescados
2	Cocción de papas (a vapor) sopas, garbanzos, porotos
3	Para continuar la cocción de grandes cantidades de alimentos, minestrone
4	Asar (mediano)
5	Asar (fuerte)
6	Dorar o alcanzar el hervor en poco tiempo

Consejos prácticos para el uso de la encimera

- Utilice ollas con fondo plano y de gran espesor para asegurarse que se adhieran perfectamente a la zona calentadora;



- utilice ollas de un diámetro suficiente para cubrir completamente la zona de cocción, de ese modo se garantiza el aprovechamiento de todo el calor disponible;



- controle que el fondo de las ollas esté siempre perfectamente seco y limpio: así, la adherencia a las zonas de cocción será óptima y tanto las ollas como la encimera durarán más tiempo;
- evite utilizar las mismas ollas usadas en los quemadores a gas: la concentración de calor en los quemadores a gas puede deformar el fondo de la olla que, en consecuencia, pierde adherencia;
- nunca deje una zona de cocción encendida sin una olla porque podría dañarse.

! El aparato ha sido proyectado y fabricado en conformidad con las normas internacionales sobre seguridad. Estas advertencias se suministran por razones de seguridad y deben ser leídas atentamente.

Seguridad general

- La encimera de vitrocerámica resiste las variaciones de temperatura y los golpes. No obstante, recuerde que cuchillas o utensilios de cocina afilados pueden romper la superficie de la encimera. Si esto sucede, desenchufe inmediatamente la cocina, llame solamente a un centro de asistencia técnica autorizado y exija el uso de repuestos originales. No respetar estas condiciones puede afectar la seguridad del aparato.
- El aparato ha sido fabricado para un uso de tipo no profesional en el interior de una vivienda.
- El aparato no se debe instalar al aire libre, tampoco si el espacio está protegido porque es muy peligroso dejarlo expuesto a la lluvia y a las tormentas.
- No toque la máquina descalzo o con las manos y pies mojados o húmedos.
- **El aparato debe ser utilizado para cocinar alimentos, sólo por personas adultas y siguiendo las instrucciones contenidas en este manual. Cualquier otro uso (como por ejemplo: calefacción de ambientes) se debe considerar impropio y, por lo tanto, peligroso. El fabricante no puede ser considerado responsable por los daños derivados de usos impropios, erróneos e irracionales.**
- El manual pertenece a un aparato de clase 1 (aislado) o clase 2 - subclase 1 (empotrado entre dos muebles).
- Mantenga alejados a los niños.
- Evite que el cable de alimentación eléctrica de otros electrodomésticos entre en contacto con partes calientes del aparato.
- No obstruya las aberturas de ventilación y de eliminación del calor.
- Utilice siempre guantes para horno para introducir o extraer recipientes.
- No utilice líquidos inflamables (alcohol, bencina, etc.) cerca del aparato mientras está en funcionamiento.
- No coloque material inflamable en el compartimento inferior de depósito o en el horno: si el aparato se pone en funcionamiento inadvertidamente, podría incendiarse.
- Cuando el aparato no se utiliza, controle siempre que los mandos estén en la posición •.
- No desconecte el aparato de la toma de corriente tirando del cable sino sujetando el enchufe.
- No realice la limpieza o el mantenimiento sin haber desconectado primero el aparato de la red eléctrica.
- En caso de avería, no acceda nunca a los mecanismos internos para intentar una reparación. Llame al Servicio de Asistencia Técnica.
- No apoye objetos pesados sobre la puerta del horno abierta.

No está previsto que el aparato sea utilizado por personas (incluidos los niños) con capacidades físicas, sensoriales o mentales disminuidas, por personas inexpertas o que no tengan familiaridad con el producto, salvo que estén vigiladas por una persona responsable de su seguridad, o que no hayan recibido instrucciones preliminares sobre el uso del aparato.

- Evite que los niños jueguen con el aparato.
- Si la cocina se coloca sobre un pedestal, tome las precauciones necesarias para que el aparato no se resbale de dicho pedestal.
- No coloque material inflamable en el compartimento inferior.
- Las superficies internas del cajón (cuando existe) pueden calentarse.

Eliminación

- Eliminación del material de embalaje: respete las normas locales, de esta manera los embalajes podrán ser reutilizados.
- La norma europea 2002/96/CE sobre la eliminación de aparatos eléctricos y electrónicos (RAEE), establece que los electrodomésticos no se deben eliminar de la misma manera que los desechos sólidos urbanos. Los aparatos en desuso se deben recoger separadamente para optimizar la tasa de recuperación y reciclaje de los materiales que los componen e impedir potenciales daños para la salud y el medio ambiente. El símbolo de la papelerera tachada se encuentra en todos los productos para recordar la obligación de recolección separada. Los electrodomésticos en desuso se podrán entregar al servicio público de recolección, llevarlos a las zonas comunales específicas o, si está previsto por la ley nacional en la materia, devolverlos a los revendedores con el objeto de adquirir nuevos productos equivalentes. Todos los principales productores de electrodomésticos están creando y administrando sistemas de recolección y eliminación de los aparatos en desuso.

Ahorrar y respetar el medioambiente

- Siempre que sea posible, evite el precalentamiento del horno y siempre trate de llenarlo. Abra la puerta del horno tan poco como sea posible porque el calor se pierde cada vez que se abre. Para ahorrar una cantidad sustancial de energía, solo apague el interruptor del horno entre 5 a 10 minutos antes de terminar su tiempo de cocción previsto y aproveche el calor que el horno continúa generando.
- Mantenga los empaques limpios y ordenados para prevenir pérdidas de energía a través de la puerta
- Si tiene una tarifa eléctrica regulada según la hora del día, la opción de "cocción diferida" le ayudará a ahorrar al retrasar la operación de cocción a un momento del día en que la tarifa eléctrica sea más barata.

Mantenimiento y cuidados

ES

- Aproveche al máximo el calor residual de la placa caliente apagando placas de hierro fundido 10 minutos antes del final de su tiempo de cocción y fogones de vitrocerámica 5 minutos antes del final del tiempo de cocción.
- La base de la olla o sartén deben cubrir la placa caliente. Si es menor, preciosa energía se desperdiciará y las ollas que hierven arriba dejarán restos incrustados que pueden ser difíciles de eliminar.
- Cocine los alimentos en ollas o sartenes cerrados con tapas que ajusten bien y usen la menor cantidad de agua posible. Cocinar sin la tapa, aumentará enormemente el consumo de energía.
- Utilice ollas y sartenes completamente planos.
- Si usted está cocinando algo que toma mucho tiempo, vale la pena usar una olla a presión, que es dos veces más rápido y ahorra un tercio de la energía.

Interrumpir el suministro de corriente eléctrica

Antes de realizar cualquier operación, desconecte el aparato de la red de alimentación eléctrica.

! No utilice nunca limpiadores a vapor o de alta presión para la limpieza del aparato.

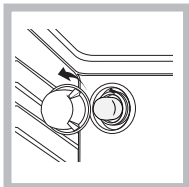
Limpiar el horno

- Las partes externas esmaltadas o de acero inoxidable y las juntas de goma se pueden limpiar con una esponja empapada en agua tibia y jabón neutro. Si las manchas son difíciles de eliminar use productos específicos. Se aconseja enjuagar abundantemente y secar después de la limpieza. No utilice polvos abrasivos ni sustancias corrosivas.
- El interior del horno se debe limpiar preferentemente cada vez que se utiliza, cuando todavía está tibio. Utilice agua caliente y detergente, enjuague y seque con un paño suave. Evite el uso de productos abrasivos.
- Limpie el vidrio de la puerta con esponjas y productos no abrasivos y séquelo con un paño suave; no utilice materiales ásperos abrasivos o raederas metálicas afiladas que puedan rayar la superficie y quebrar el vidrio.
- Los accesorios se pueden lavar como cualquier vajilla (incluso en lavavajillas).
- La limpieza del panel de control se debe realizar con una esponja no abrasiva o con un paño suave.

Controlar las juntas del horno

Controle periódicamente el estado de la junta que rodea la puerta del horno. Si se encontrara dañada, llame al Centro de Asistencia Técnica más cercano. Es aconsejable no usar el horno hasta que no haya sido reparada.

Para sustituir la bombilla de iluminación del horno



1. Después de haber desconectado el horno de la red eléctrica, quite la tapa de vidrio del portalámpara (ver la figura).
2. Extraiga la bombilla y sustitúyala con una análoga: voltaje de 230V, potencia de 25 W, casquillo E 14.

3. Vuelva a colocar la tapa y a conectar el horno a la red eléctrica.

! No utilice la lámpara del horno para iluminar ambientes.

Limpiar la encimera de vitrocerámica

! Evite el uso de detergentes abrasivos o corrosivos, como aerosoles para barbacoas y hornos, quitamanchas y productos anticorrosivos, jabones en polvo y esponjas con superficie abrasiva, pueden rayar irremediablemente la superficie.

- Para un mantenimiento ordinario, es suficiente lavar la encimera con una esponja húmeda, secándola luego con un papel absorbente para cocina.
- Si la encimera está particularmente sucia, refriéguela con un producto específico para la limpieza de las superficies vitrocerámicas, enjuáguela y séquela.
- Para eliminar las acumulaciones de suciedad más consistentes utilice la raedera especial (no suministrada con el aparato). Intervenga lo antes posible, sin esperar que el aparato se enfríe para evitar que los residuos formen costras. Se pueden obtener excelentes resultados usando una esponja con hilos de acero inoxidable especial para encimeras de vitrocerámica, embebida en agua y jabón.
- Si sobre la encimera se hubieran fundido accidentalmente objetos o materiales como plástico o azúcar, elimínelos inmediatamente con la raedera, mientras la superficie está todavía caliente.
- Una vez limpia, la encimera se puede tratar con un producto específico para el mantenimiento y la protección: la película invisible que deja este producto protege la superficie en caso de escurrimientos durante la cocción. Se recomienda realizar estas operaciones con el aparato tibio o frío.
- Recuerde siempre enjuagar la encimera con agua limpia y secarla cuidadosamente: en efecto, los residuos de productos podrían encostrarse durante la siguiente cocción.

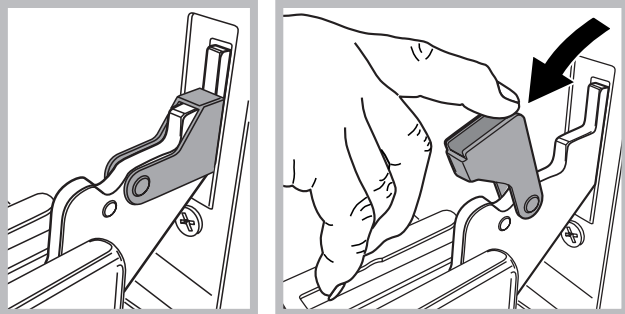
Limpiar el acero inoxidable

Si el acero inoxidable se deja mucho tiempo en contacto con agua muy calcárea o con productos de limpieza que contengan fósforo, puede mancharse. Se aconseja enjuagar abundantemente y secar con cuidado.

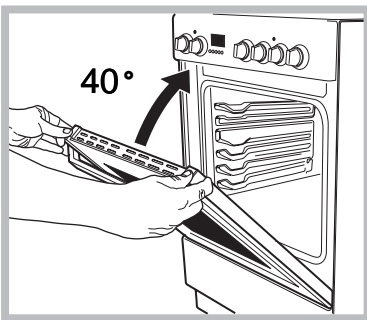
Producto de limpieza	Lungares de venta
Rasqueta Hojas de recambio	Bricolage en Grandes superficies, Ferreterías, Droguerías
Clean, Vitroceramic, Sidol Inox	Grandes superficies, Supermercados, Droguerías
SWISSCLEANER	Kuhn-Rikon Española

Desmontaje y montaje de la puerta del horno:

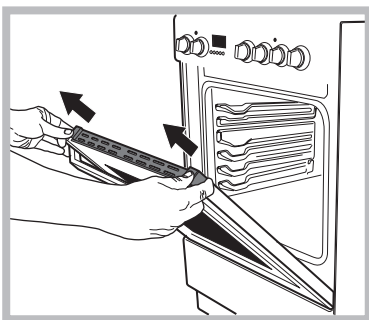
1. Abrir la puerta.
2. Girar totalmente hacia atrás los ganchos de las bisagras de la puerta del horno (ver foto)



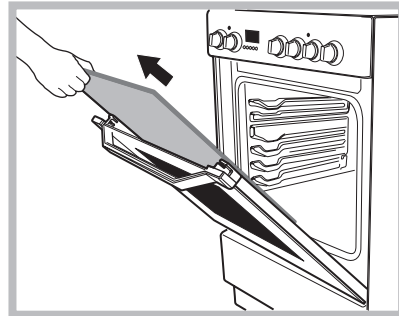
3. Cerrar la puerta hasta el tope del gancho (la puerta queda abierta a aproximadamente 40°) (ver foto).



4. Pulsar los dos botones situados en el perfil superior y extraer el perfil (ver foto).



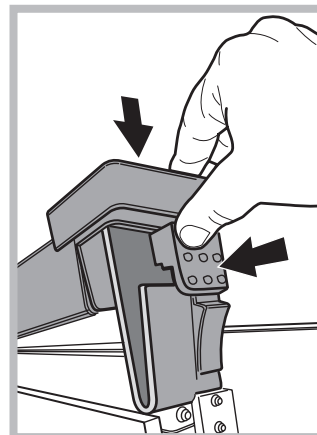
5. Sacar la placa de vidrio y realizar la limpieza como se indica en el capítulo: "Mantenimiento y cuidados".



6. Volver a colocar el vidrio.
ADVERTENCIA! El horno no debe funcionar con interior puerta de cristal eliminado!

ADVERTENCIA! Al volver a montar la puerta interior vidrio insertar el panel de vidrio de forma que el texto por escrito en el panel no se invierte y puede ser fácilmente legible.

7. Volver a colocar el perfil; se deberá advertir un clic cuando adopte la posición correcta.
8. Abrir la puerta por completo.
9. Cerrar las abrazaderas (ver foto).



10. Ahora será posible cerrar la puerta por completo para utilizar el horno normalmente.

Asistencia

ES

Atención:

El aparato está dotado de un sistema de diagnóstico que permite detectar problemas de funcionamiento. Los mismos se comunican en el display mediante mensajes como: "F" seguido por números. En esos casos es necesaria la intervención del servicio de asistencia técnica.

! No llame nunca a técnicos no autorizados.

Comuníquese:

- El tipo de anomalía;
- El modelo de la máquina (Mod.)
- El número de serie (S/N)

Esta información se encuentra en la placa de características colocada en el aparato.

La siguiente información es válida solo para España

Para otros países de habla hispana consulte a su vendedor

Ampliación de garantía

Llame al **902.363.539** y le informaremos sobre el fantástico plan de ampliación de garantía hasta 5 años.

Consiga una cobertura total adicional de

- Piezas y componentes
- Mano de obra de los técnicos
- Desplazamiento a su domicilio de los técnicos

Y NO PAGUE AVERIAS NUNCA MAS

Servicio de asistencia técnica (SAT)

Llame al **902.133.133** y nuestros técnicos intervendrán con rapidez y eficacia, devolviendo el electrodoméstico a sus condiciones óptimas de funcionamiento.

En el SAT encontrará recambios, accesorios y productos específicos para la limpieza y mantenimiento de su electrodoméstico a precios competitivos.

ESTAMOS A SU SERVICIO

! Antes de colocar em funcionamento o novo aparelho, leia atentamente este livrete de instruções, pois contém informações importantes sobre a instalação e o funcionamento seguro do aparelho.

! Guarde as instruções de funcionamento do aparelho para consultas posteriores: Certifique-se de que as instruções sejam conservadas junto com o aparelho em caso de venda, cessão ou mudança.

! A instalação do aparelho deve ser realizada segundo estas instruções e por pessoal profissional qualificado.

! Qualquer intervenção de regulação ou manutenção, deve ser efectuada com o aparelho desligado da rede eléctrica.

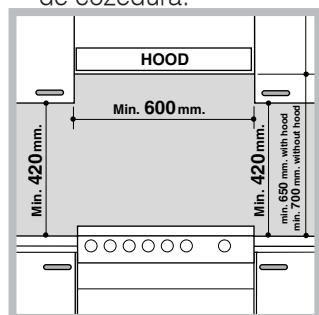
Posicionamento e nivelamento

! É possível instalar o aparelho ao lado de móveis não mais altos que a superfície do plano de cozedura.

! Assegurar-se de que a parede em contacto com a parte traseira do aparelho seja de um material não inflamável e resistente ao calor (T 90°C).

Para uma instalação correcta:

- colocar o aparelho na cozinha, na sala de jantar ou numa sala única (não na casa de banho);
- Se o plano de cozedura for mais alto que os móveis, o aparelho deverá ser posicionado a pelo menos 200 mm de distância dos mesmos.
- Se o fogão for instalado embaixo de uma prateleira, esta deverá estar pelo menos a 420 mm do plano de cozedura.

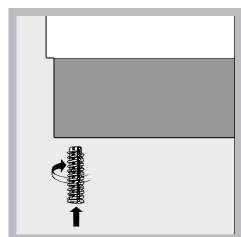


Tal distância deve ser de 700 mm se as prateleiras forem de material inflamável (ver figura);

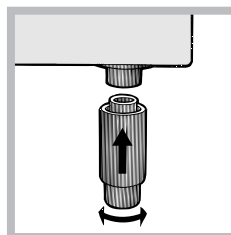
- Não colocar cortinas atrás do fogão ou a menos de 200 mm dos seus lados;
- Se houver exaustor, o

mesmo deverá ser instalado conforme as instruções contidas no respectivo livrete.

Nivelamento



Se for necessário nivelar o aparelho, parafusar os pés* de regulação nos específicos lugares colocados nos cantos na base do fogão (ver figura).



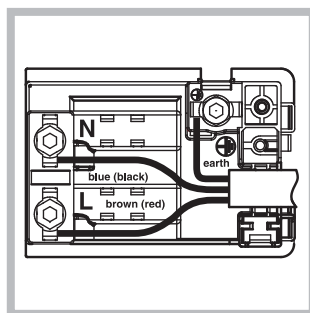
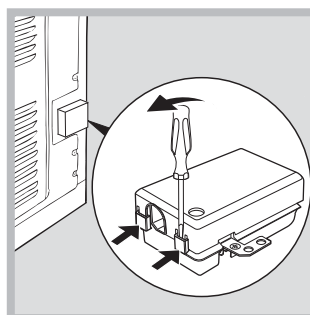
As pernas* fornecidas com o aparelho, devem ser encaixadas na base do fogão.

O aparelho não deve ser instalado por trás de uma porta decorativa de modo a evitar o sobreaquecimento

Ligação eléctrica

Os fogões eléctricos são concebidos para funcionar sem cabos eléctricos. O fogão foi concebido para funcionar com uma ligação eléctrica em conformidade com os dados eléctricos apresentados na placa de classificação. O fogão só pode ser ligado à corrente depois de remover o painel preto do fogão com uma chave de fendas.

! o seguinte procedimento de instalação tem de ser executado por um electricista profissional. A instalação eléctrica tem de estar em conformidade com as regulamentações IEE e com as legislações locais e de construção.



1. Abra a placa terminal inserindo uma chave de fendas nas abas laterais da tampa. Utilize a chave de fendas como alavanca, empurrando-a para baixo para abrir a tampa (ver diagrama).
2. Desaperte o parafuso do grampo do cabo e retire-o, utilizando uma chave de fendas como alavanca (ver figura).
3. Remova os parafusos de contacto do cabo L-N- \perp e em seguida aperte os cabos sob as cabeças dos parafusos, respeitando o código de cores: Preto/Azul (N), Vermelho/Castanho (L) e Cabo nu/Amarelo-Verde

(\perp).

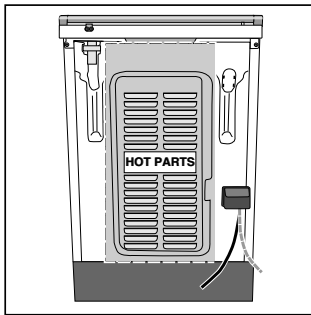
- Depois de terem sido feitas as ligações, aperte completamente todos os parafusos do terminal.
- Fixe o cabo de alimentação no lugar com o grampo e feche a tampa da placa terminal.

Ligar o cabo eléctrico à corrente

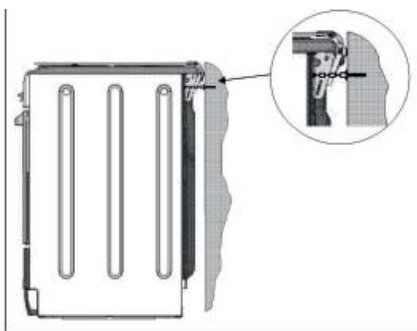
AVISOS: O APARELHO TEM DE ESTAR LIGADO À TERRA.

! O fogão tem de ser ligado à corrente por meio de uma tomada de fogão com interruptor (de dois pólos) fundido correctamente com uma capacidade adequada ao indicado na placa de classificação. Todas as ligações eléctricas da unidade do consumidor para o fogão, através da tomada de fogão com interruptor de dois pólos, tem de ser de tipo aceitável e ter uma classificação tal como acima indicado.

! O cabo de alimentação tem de ser posicionado de forma que nunca atinja uma temperatura 50 °C superior à temperatura ambiente. O cabo tem de ser posicionado longe das condutas de ar traseiras.



A correia de segurança



! Para evitar a queda accidental do aparelho, por exemplo, por uma criança subir para a porta do forno, DEVE ser instalada a correia de segurança fornecida! O

fogão é instalado com uma correia de segurança fixada com um parafuso (não fornecido com o fogão) à parede atrás do aparelho, à mesma altura que a correia é fixada ao aparelho. Selecione o parafuso e bucha de acordo com o tipo de material da parede atrás do aparelho. Se a cabeça do aparelho tiver um diâmetro inferior a 9 mm, deve ser usada uma anilha. As paredes de betão requerem um parafuso com pelo menos 8 mm de diâmetro e 60 mm de comprimento.

Assegure-se de que a correia seja fixada à parede traseira do fogão e à parede, tal como mostrado na figura, para que esteja bem esticada após a instalação e paralela ao nível do chão.

TABELA DAS CARACTERÍSTICAS	
Medidas do Forno HxLxP	32,4x43,5x41,3 cm
Volume	Litros 59
Medidas úteis da gaveta estufa	largura 44 cm profundidade 42 cm altura 8,5 cm
Tensão e frequência de fornecimento	vide a placa das características
Plano de cozedura de cerâmica	
Dianteiro esq.	1700W
Traseiro esq.	1200W
Traseiro dir.	2100W
Dianteiro dir.	1200W
Absorção dos planos de cozedura de cerâmica Máx	6200W
RÓTULO ENERGÉTICO e CONCEPÇÃO ECOLÓGICA	
Consumo de energia com convecção Forçada – função de aquecimento: Ventilação	
	ECODESIGN Directive 2009/125/EC
	

O placa de identificação e' situada no interior da parte escamoteável ou, uma vez aberto o compartimento aquecedor de alimentos, na parede interna esquerda.

! Das várias funções existentes no fogão é realizada mediante os dispositivos e componentes de comando situados no próprio painel.

! Antes do uso, remova taxativamente as películas de plástico posicionadas aos lados do aparelho.


! A primeira vez que o acender, aconselhamos deixar aproximadamente meia hora o forno a funcionar vazio com o termostato no máximo e a porta fechada. Depois que passar este prazo, desligue-o, abra a porta e ventile a cozinha. O cheiro que pode ser sentido durante esta operação é por causa da evaporação das substâncias utilizadas para proteger o forno durante o tempo desde a produção até a instalação do aparelho.

Ligar o forno

1. Seleccione a modalidade de cozedura desejada girando o manípulo SELECTOR.
2. Seleccione a temperatura pretendida através do manípulo GRILL VARIÁVEL. Consulte a tabela de indicações de cozedura para as modalidades e tempos de cozedura sugeridos (ver Modos de Cozedura).
3. Quando terminar o pré-aquecimento, a luz de aviso do TERMÓSTATO irá acender-se: coloque os alimentos no forno.
4. Poderá fazer o seguinte durante a cozedura:
 - alterar a modalidade de cozedura desejada girando o manípulo SELECTOR.
 - alterar a temperatura girando o manípulo TERMÓSTATO.
 - parar a cozedura girando o manípulo SELECTOR para a posição "0".

! Nunca coloque objectos directamente no fundo do forno para evitar danificar a cobertura de esmalte.

! Coloque sempre os utensílios de cozinha na(s) grelha(s) fornecida(s).

Quando girar o manípulo SELECTOR na direcção dos ponteiros do relógio para o símbolo , a ventoinha e luz do forno irão acender-se para ajudar a descongelar os alimentos congelados. Continue a girar o manípulo pela gama completa de temperaturas apresentadas para escolher qual a mais adequada para os alimentos a cozinhar (modalidade com ventoinha). A temperatura é alcançada automaticamente e controlada pelo termostato do forno (de 60 °C e 240 °C).

Grill

Com esta modalidade, entram em funcionamento os corpos aquecedores superiores. Os alimentos são cozinhados pela radiação térmica emitida em direcção descendente pelos corpos aquecedores superiores. A temperatura extremamente elevada e a radiação directa do grill permitem dourar a superfície das carnes e, ao mesmo tempo, manter os sucos que

deixam as carnes macias.

!Nunca coloque objectos directamente no fundo do forno; isto irá evitar danos na camada de esmalte. Utilize apenas a posição 1 do forno ao cozinhar com a grelha de espeto.


! Coloque sempre os utensílios de cozinha na(s) grelha(s) fornecida(s).

! Coza com a porta do forno fechada.

O indicador do termostato do forno

Indica a fase de aquecimento do mesmo, apaga-se para indicar que dentro do forno a temperatura chegou à definida mediante o botão. Nesta altura esta luz acende-se e apaga-se a indicar que o termostato está a funcionar correctamente para manter constante a temperatura do forno.

Luz do forno

A luz do forno vai ligar quando o manípulo SELECTOR for girado em qualquer posição diferente de "0". Permanecerá ligada enquanto o forno estiver a funcionar. Ao seleccionar  com o manípulo, a luz é ligada sem activação dos corpos aquecedores.


Ventilação de arrefecimento*

Para arrefecer a temperatura exterior do forno, alguns modelos estão equipados com uma ventoinha de arrefecimento que emite ar entre o painel de controlo e a porta do forno.

! Depois de completada a cozedura, a ventoinha de arrefecimento permanece ligada até que o forno arrefeça o suficiente.

Utilizar o timer de fim de cozedura

1. Antes de mais nada, para dar corda na campainha é necessário rodar o selector do TIMER DE FIM DE COZEDURA de uma volta quase inteira na direcção dos ponteiros do relógio.
2. Volte na direcção contrária aos ponteiros do relógio, para configurar o tempo que desejar, faça coincidir os minutos indicados no selector do TIMER DE FIM DE COZEDURA com a referência fixa do painel de comandos.
3. Depois que tiver passado o tempo tocará um sinal acústico e o forno desliga-se.
4. Quando o forno estiver desligado, o timer de fim de cozedura poderá ser utilizado como um normal contador de minutos.

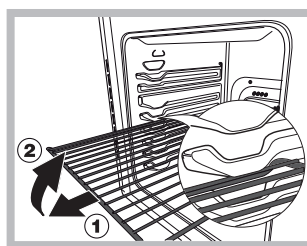
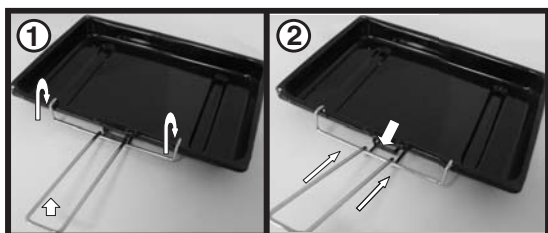
! Para utilizar o forno com funcionamento manual, ou seja com o timer de fim de cozedura desactivado, é necessário rodar o botão TIMER DE FIM DE COZEDURA até o símbolo .

Utilizar o kit de pingadeira

A pega da pingadeira pode ser retirada da pingadeira para facilitar a limpeza e arrumação. Encaixe a pingadeira com firmeza antes de usar:

1. Encaixe a pega na pingadeira de forma que os “ganchos” externos possam abraçar a extremidade da pingadeira (fig. 1).
2. Assegure-se de que a parte central da pingadeira encaixe perfeitamente no suporte saliente da pingadeira (fig. 2) e que a sustente por baixo. Os alimentos devem ser colocados sobre a grelha na pingadeira.

Posicione a pingadeira sobre a grelha do forno. Obterá melhores resultados se colocar a grelha do forno nas prateleiras superiores. Ao verter uma pequena quantidade de água na pingadeira, a recolha das partículas de gordura será mais eficiente e evitará a formação de fumos.



ATENÇÃO! O forno está equipado com um sistema de bloqueio das grelhas que permite retirá-las sem que estas ressaíam do forno(1).

Para retirar completamente as grelhas, tal como indicado no desenho, basta levantá-las, segurando-as pela parte da frente, e puxá-las (2).

Conselhos práticos para cozedura

! Nas cozeduras de GRILL, coloque a bandeja pingadeira na posição 1 para recolher os resíduos de cozedura (molhos e/ou gordura).

GRILL

- Coloque a grade na posição 3 ou 4, disponha os alimentos no centro da grade.
- É aconselhável configurar o nível de energia no máximo. Não se alarme se a resistência superior não permanecer constantemente acesa: o seu funcionamento é controlado por um termóstato;

PIZZA

- Utilize uma forma de alumínio leve, apoie-a na grelha do forno. Se utilizar a bandeja pingadeira aumentará os tempos de cozedura e dificilmente será obtida uma pizza crocante.
- No caso de pizzas com muita cobertura é aconselhável colocar o queijo mozzarella na metade da cozedura.

Tabela de cozedura no forno

Alimentos a cozinhar	Peso	Posição de cozedura das prateleiras desde baixo	Temperatura (°C)	Grill variável	Tempo de pré-aquecimento (min.)	Tempo de cozedura (min.)
Massas				MÁX.		
Lasanha	2,5	3	210		-	75-80
Canelones	2,5	3	210		-	75-80
Noodles no forno	2,5	3	210		-	75-80
Carne				MÁX.		
Vitela	1,7	3	230		-	85-90
Frango	1,5	3	220		-	110-115
Peru	3,0	3	MÁX.		-	95-100
Pato	1,8	3	230		-	120/125
Coelho	2	3	230		-	105/110
Porco	2,1	3	230		-	100/110
Borrego	1,8	3	230		-	90-95
Peixe				MÁX.		
Carapau	1,1	3	210-230		-	55-60
Cachucho	1,5	3	210-230		-	60-65
Truta no papelote	1,0	3	210-230		-	40-45
Pizza			MÁX.	MÁX.		
Napolitana	1,0	3			15	30-35
Bolos				MÁX.		
Biscoitos	0,5	3	180		15	30-35
Tartes	0,1	3	180		15	45-50
Bolo de chocolate	1	3	200		15	50/55
Bolos levedados	1	3	200		15	
Cozedura com grill				3/4		
Torradas	n.º 4	4			5	5-6
Costeletas de porco	1,5	4			5	20-30
Carapau	1,1	4			5	20-30

Nota: os tempos de cozedura são aproximados e podem variar de acordo com os gostos pessoais.

Utilização do plano de cozedura de vitrocerâmica

PT

! A cola aplicada nas guarnições deixa alguns traços de graxa no vidro. Antes de utilizar o aparelho, é recomendável eliminá-la com um produto não abrasivo específico para a manutenção. Durante as primeiras horas de funcionamento, pode ser que note odor de borracha, que em todo o caso logo desaparecerá.

Ligar e desligar as zonas de cozedura

Para ligar uma zona de cozedura, rodar no sentido horário o selector correspondente.

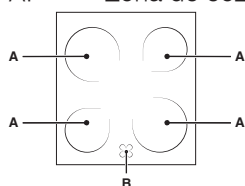
Para desligar, rodar o selector no sentido anti-horário até o "0".

A ligação do indicador luminoso FUNCIONAMENTO CHAPAS indica que ao menos uma chapa do plano de cozedura está a funcionar.

As zonas de cozedura

No plano de cozedura há elementos aquecedores eléctricos radiantes. Durante o funcionamento, tornam-se vermelhos:

A. Zona de cozedura com elementos radiantes.



B. Indicador luminoso de calor: indica que a temperatura da zona de cozedura correspondente é superior aos 60°C, mesmo no caso em que o elemento esteja

desligado mas ainda quente.

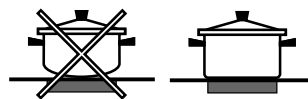
Zonas de cozedura com elementos radiantes.

Os elementos aquecedores radiantes são constituídos por elementos aquecedores circulares que tornam-se vermelhos somente 10-20 segundos após o acendimento.

Posição	Placa normal ou rápida
0	Apagado
1	Cozedura de legumes, verdes ou de peixe
2	Cozedura de batatas (em vapor), sopas, grão de bico, feijão
3	Para continuar a cozedura de grandes quantid. de alimentos, minestrone
4	Estufar (médio)
5	Estufar (forte)
6	Tostar ou ferver em pouco tempo

Conselhos práticos para utilização do plano de cozedura

- Empregue panelas com fundo chato e elevada espessura, para ter a certeza que haverá uma perfeita aderência à zona de aquecimento;



- empregue panelas com diâmetro suficiente para cobrir inteiramente a zona de aquecimento, de maneira que se aproveite inteiramente o calor disponível;



- certifique-se que o fundo das panelas esteja sempre perfeitamente enxuto e limpo: a aderência às zonas de cozedura será ideal e seja as panelas seja o plano de cozedura irão durar por mais tempo;
- evite utilizar as mesmas panelas que emprega nos queimadores a gás: a concentração de calor nos queimadores a gás poderá deformar o fundo das panelas, que desta maneira perderá aderência;
- nunca deixe uma zona de cozedura radiante acesa se não houver uma panela em cima, pois poderia danificar-se.

Respeitar e preservar o meio ambiente

- Sempre que possível, evitar pré-aquecer o forno e tentar sempre enchê-lo. Abrir a porta do forno tão pouco quanto possível porque o calor perde-se de cada vez que é aberta. Para economizar uma quantidade significativa de energia, desligue simplesmente o forno 5 a 10 minutos antes do fim do seu tempo planeado de cozedura e use o calor que o forno continua a produzir.
- Manter as vedações limpas e sem sujidade para prevenir perdas de energia da porta
- Se possuir um contrato de electricidade com tarifa horária, a opção de "cozedura retardada" tornará mais fácil poupar dinheiro programando a cozedura para períodos de tempo mais económicos.
- Aproveite ao máximo o calor residual do seu placa quente desligando as placas quentes de ferro fundido 10 minutos antes do fim do seu tempo de cozedura e placas quentes vitro cerâmicas 5 minutos antes do fim do tempo de cozedura.
- A base da sua panela ou caçarola deve cobrir a placa de aquecimento. Se é mais pequena, desperdiçará energia preciosa e as panelas podem transbordar e deixar restos incrustados que podem ser difíceis de remover.
- Cozinhar os seus alimentos em panelas ou caçarolas fechadas com tampas bem ajustadas e usar o mínimo de água possível. Cozinhar com a tampa aberta aumentará ortemente o consumo de energia
- Usar exclusivamente panelas e caçarolas planas
- Se estiver a cozinhar algo que demora muito tempo, é melhor usar uma panela de pressão, que é duas vezes mais rápido e poupa um terço da energia.

! Este aparelho foi projectado e fabricado em conformidade com as normas internacionais de segurança. Estas advertências são fornecidas por razões de segurança e devem ser lidas com atenção.

Segurança geral

- As instruções são válidas somente para os países de destino para os quais os símbolos constam no livrete e na placa de identificação do aparelho.
- Este aparelho foi concebido para utilização de tipo não profissional no âmbito de moradas.
- Este aparelho não deve ser instalado ao ar livre, mesmo num sítio protegido. É muito perigoso deixá-lo exposto à chuva e temporais.
- Não toque no aparelho se estiver descalço, ou se as suas mãos ou pés estiverem molhados ou húmidos.
- **O aparelho deve ser utilizado para cozinhar alimentos, somente por pessoas adultas e conforme as instruções contidas neste livrete. Qualquer outro uso (como por exemplo, aquecedor de ambientes) deve ser considerado impróprio e portanto perigoso. O fabricante não pode ser considerado responsável por eventuais danos derivados de usos impróprios, errados e irrazoáveis.**
- Este folheto diz respeito a um aparelho de classe 1 (isolado) ou classe 2 - subclasse 1 (situado entre dois móveis).
- Durante o uso deste aparelho, os elementos aquecedores e algumas das partes da porta do forno esquentam-se muito. Tome cuidado para não tocar nos mesmos e mantenha as crianças afastadas.
- Certifique-se de que os cabos de alimentação de outros electrodomésticos não entrem em contacto com partes quentes do forno.
- Nunca cubra as aberturas de ventilação e de eliminação de calor.
- Não apoie sobre as chapas eléctricas, painéis instáveis ou deformadas, para evitar que tombem. Posicione-as sobre o plano de cozedura com os cabos virados para o centro do aparelho.
- Utilize luvas de forno para colocar e tirar recipientes.
- Não utilize líquidos inflamáveis (álcool, gasolina, etc.) perto do aparelho enquanto este estiver funcionando.
- Não guarde material inflamável no vão inferior de depósito ou no interior do forno: se o aparelho for inadvertidamente colocado a funcionar, poderia incendiar-se.
- Assegurar-se sempre que os selectores estejam na posição 0 quando o aparelho não for utilizado.
- Não puxe pelo cabo para desligar a ficha da tomada eléctrica, pegue pela ficha.
- Não realize operações de limpeza ou manutenção sem antes ter desligado o aparelho da rede eléctrica.
- Em caso de defeitos do aparelho, nunca procure consertá-lo sozinho. Os consertos efectuados por pessoas não qualificadas podem causar lesões ou ulteriores máus funcionamentos do aparelho. Contactar a Assistência.
- Não coloque objectos pesados sobre a porta do forno aberta.
- As superfícies internas da gaveta (se houver) podem ficar muito quentes.
- A placa de vitrocerâmica é resistente às batidas mecânicas, entretanto pode rachar-se (ou eventualmente partir-se) se for batida com um objecto pontiagudo, como um utensílio. Nestes casos, desligue imediatamente o aparelho da rede de alimentação e contacte a assistência técnica.

- Se a superfície do plano estiver rachada, desligue o aparelho para evitar a possibilidade de choques eléctricos.
- Não se esqueça que a temperatura das zonas de cozedura permanece muito alta pelo menos trinta minutos depois de apagadas.
- Mantenha a devida distância da placa quaisquer objectos que podem se derreter, por exemplo, objectos de plástico, de alumínio ou produtos com um alto conteúdo de açúcar. Preste muita atenção com as embalagens e as películas de plástico ou alumínio: se deixá-los sobre as superfícies enquanto ainda estiverem quentes ou mornas, podem causar um dano grave à placa.
- Não apoie objectos metálicos (facas, colheres, tampas, etc.) sobre o plano porque podem ficar quentes.
- Não é previsto que este aparelho seja utilizado por pessoas (inclusive crianças) com reduzidas capacidades físicas, sensoriais ou mentais, por pessoas inexperientes ou que não tenham familiaridade com o produto, a não ser que seja vigiadas por uma pessoa responsável pela sua segurança ou que tenham recebido instruções preliminares sobre o uso do aparelho.
- Não permita que as crianças brinquem com o aparelho.
- Caso haja zonas de cozedura halógenas, não olhe para elas por muito tempo.
- Se o fogão for colocado sobre um estrado, tome as providências necessárias para que o aparelho não escorregue do estrado.



Eliminação

- Eliminação do material de embalagem: obedeça as regras locais, de maneira que as embalagens possam ser reutilizadas.
- A directiva Europeia 2002/96/CE relativa aos resíduos de equipamentos eléctricos e electrónicos (REEE) prevê que os electrodomésticos não devem ser eliminados no normal fluxo dos resíduos sólidos urbanos. Os aparelhos não mais utilizados devem ser recolhidos separadamente para otimizar a taxa de recuperação e reciclagem dos materiais que os compõem e impedir potenciais danos à saúde e ao meio ambiente. O símbolo da lixeira cancelada está indicado em todos os produtos para lembrar o dever de colecta selectiva. Para maiores informações sobre a correcta eliminação dos electrodomésticos, os proprietários poderão contactar o serviço de colecta público ou os revendedores.

Manutenção e cuidados

PT

- Este produto satisfaz os requisitos impostos pela nova Directiva Europeia sobre a limitação dos consumos energéticos em stand-by. Se não se efectuarem operações por 2 minutos, o aparelho coloca-se automaticamente na modalidade stand-by. A modalidade stand-by é indicada com o „Ícone Relógio” em alta luminosidade. Assim que se efectuar novamente alguma operação no aparelho, o sistema voltará para a modalidade operativa.

Desligar a corrente eléctrica

Antes de realizar qualquer operação, desligue o aparelho da alimentação eléctrica.

Limpeza do aparelho

! Nunca utilize equipamento de limpeza a vapor ou de alta pressão para limpar a aparelhagem.

- Limpe o vidro da porta do forno utilizando esponjas e produtos não abrasivos e enxugue com um pano macio. Não utilize materiais ásperos ou espátulas metálicas afiadas, pois podem arranhar a superfície e partir o vidro.
- As partes externas esmaltadas ou inoxidáveis e as guarnições de borracha podem ser limpas com uma esponja molhada com água morna e sabão neutro. Se for difícil remover as manchas, empregue produtos específicos. Após a limpeza, enxaguar com água abundante e enxugar. Não empregue pós abrasivos nem substâncias corrosivas.
- O interior do forno deve ser sempre limpo de preferência depois de cada utilização, enquanto ainda estiver morno. Utilize água quente e detergente, enxagúe cuidadosamente e enxugue com um pano macio. Evite produtos abrasivos.
- Os acessórios podem ser facilmente lavados com quaisquer utensílios, inclusive numa máquina de lavar loiça.
- Eliminar a sujeira e a gordura do painel de comandos utilizando uma esponja não abrasiva ou um pano macio.
- O aço inoxidável poderá manchar-se se ficar em contacto durante muito tempo com água fortemente calcária ou com detergentes agressivos (contendo fósforo). Após a limpeza, enxaguar com água abundante e enxugar com atenção. Para mais é aconselhado enxugar eventuais vazamentos de água.

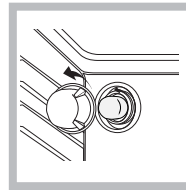
Verificação das guarnições

Verifique periodicamente o estado da guarnição ao redor da porta do forno. Se houver danos, contacte o Centro de Assistência Técnica mais próximo (veja a Assistência técnica). É aconselhável não usar o forno antes do mesmo ter sido reparado.

Substituir a lâmpada de iluminação do forno

Para substituir a lâmpada de iluminação do forno:

1. Retire a tampa de vidro, utilize uma chave de parafuso.



2. Desenrosque a lâmpada e troque-a por outra análoga: potência 15 W, engate E 14. Monte novamente a tampa, preste atenção para colocar correctamente a guarnição (veja a figura).

! Não utilizar a lâmpada do forno como iluminação de ambientes.

Limpar o plano de cozedura de vitrocerâmica

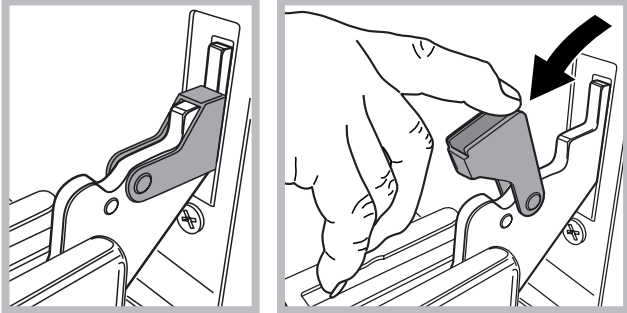
! Evite o emprego de detergentes abrasivos ou corrosivos, tais como sprays para churrasqueiras e fornos, tira-manchas e produtos contra ferrugem, detergentes em pó e esponjas com superfície abrasiva: podem arranhar irremediavelmente a superfície.

- Normalmente é suficiente lavar o plano de cozedura com uma esponja húmida e enxugá-lo com papel absorvente de cozinha.
- Se o plano estiver muito sujo, esfregue com um produto específico para limpeza de superfícies de vitrocerâmica, enxagúe bem e enxugue com atenção.
- Para remover os maiores acúmulos de sujeira, use uma espátula apropriada (não fornecida junto com o aparelho). Remova imediatamente o material derramado, sem aguardar que o aparelho arrefeça, para evitar que os resíduos grudem. Podem ser obtidos excelentes resultados se usar uma esponja especial de fios de aço inoxidável - específica para planos de vitrocerâmica - molhada de água e sabão.
- No caso em que no plano de cozedura tenham-se acidentalmente fundidas substâncias como plástico ou açúcar, remova-as imediatamente com a espátula, até que a superfície esteja ainda quente.
- Depois de limpo, o plano poderá ser tratado com um produto específico para a manutenção e a protecção: a película invisível deixada por este produto protegerá a superfície se algo for derramado durante a cozedura. É recomendável realizar estas operações e manutenção enquanto o aparelho estiver morno (não quente) ou frio.
- Lembre-se sempre de enxaguar o plano de cozedura com água limpa e de enxugá-lo com cuidado: os resíduos poderiam grudar durante as sucessivas cozeduras.

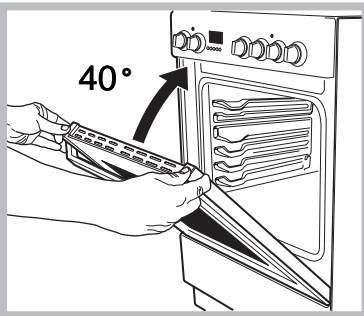
Detergente para vidro-cerâmica	Fontes de abastecimento
Raspador a lâmina	Passatempos e construções
Stahl-Fix SWISSCLEANER WK TOP	Artigos domésticos, Bricolage, Ferramenta, Gêneros alimentares

Desmontagem e montagem da porta do forno:

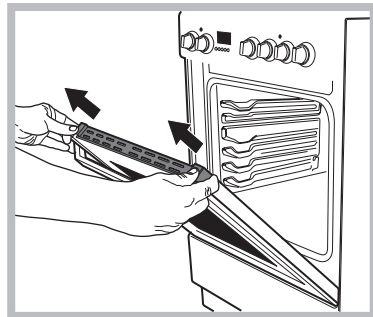
1. Abrir a porta
2. Rode completamente para trás os ganchos das dobradiças da porta do forno (veja a foto)



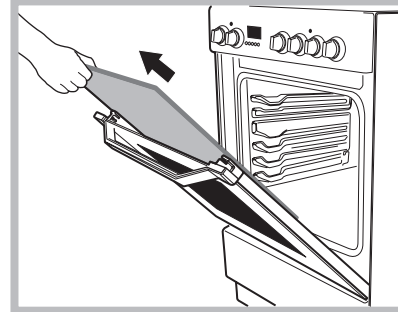
3. Feche a porta até ao limite do do gancho (a porta permanecerá aberta até cerca de 40°) (consulte a foto)



4. Pressione os dois botoes no perfil superior e retire o perfil (consulte a foto)



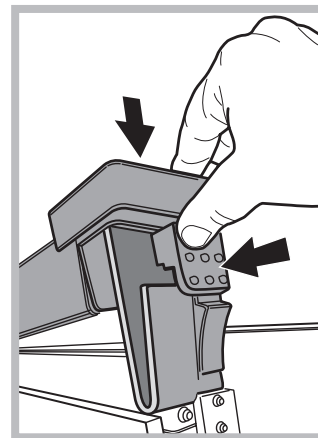
5. Remova a placa de vidro e execute a limpeza tal como indicado no capítulo: "Manutenção e cuidados".



6. Volte a montar o vidro.

ATENÇÃO! Forno não deve ser operado com interior vidro da porta removidos!
ATENÇÃO! Ao remontar a porta interna vidro inserir o painel de vidro corretamente para que o texto por escrito no painel não é revertida e pode ser facilmente legíveis.

7. Volte a montar o perfil; ouvirá um clique quando a peça estiver montada correctamente.
8. Abra completamente a porta.
9. Volte a fechar os grampos (ver foto)



10. Será agora possível fechar completamente a porta, para utilizar o forno normalmente.

Assistência técnica

Atenção:

Este aparelho é equipado com um sistema de diagnóstico que possibilita detectar eventuais maus funcionamentos. Estes são comunicados no display mediante mensagens do seguinte tipo: "F" seguido por números. Nestes casos será necessária uma intervenção da assistência técnica.

! Nunca recorra a técnicos não autorizados.

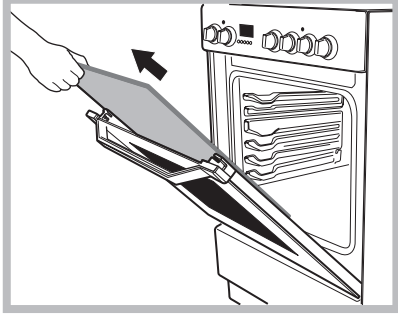
Comunique:

- o tipo de avaria;
- o modelo da máquina (Mod.);
- o número de série (S/N);

Estas últimas informações encontram-se na placa de identificação situada no aparelho.

فك وإعادة تركيب باب الفرن:

5. فك اللوح الزجاجي، ثم ابدأ في عملية التنظيف كما هو مُشار إليه في فصل "الصيانة والعناية بالجهاز"

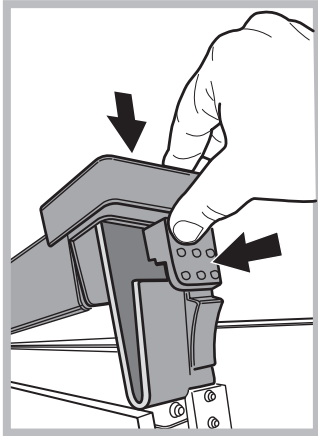


6. ضع الزجاج ثانية.

7. ثم بتركيب الجزء الجانبي ثانية، إذا تم تركيب القطعة بطريقة صحيحة سوف تسمع صوت نقرة.

8. أفتح الباب تمامًا.

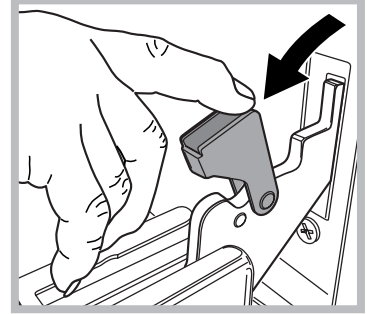
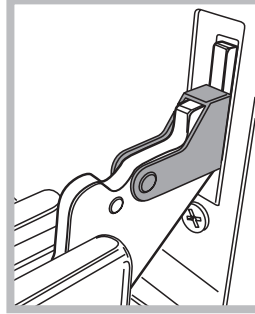
9. أغلق الأجزاء شكل U أنظر الصورة



10. والآن يصبح من الممكن غلق الباب بالكامل، لتشغيل الفرن واستخدامه استخدامًا طبيعيًا.

1. أفتح الباب

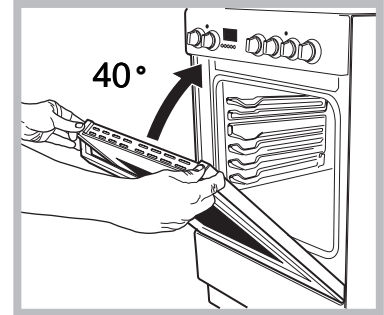
2. قم بإدارة وحدات تثبيت مفصلات باب الفرن بالكامل إلى الوراء (انظر الصورة) الصورة الموجودة بالفعل (في فصل فك الباب)



3. أفل باب الفرن حتى تسمع صوت

تعشيق وحدة التثبيت (سوف يظل

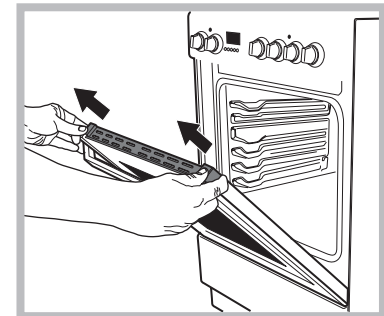
الباب مفتوحًا حوالي 40 درجة) (انظر الصورة)



4. أضغط على الزرين الموضوعين

على الجزء الجانبي العلوي وقم

بفك الجزء الجانبي (أنظر الصورة)



إيقاف تشغيل الجهاز

قم بفصل جهازك عن تزويد الطاقة قبل إنجاز أي عمل عليه.

تنظيف الجهاز

! لا تستخدم أبدا المنظفات بالبخار أو المنظفات بالضغط

مع الجهاز.

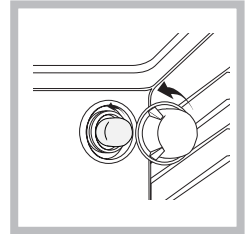
- نظف زجاج باب الفرن باستخدام منتجات غير كاشطة وإسفنجية وجففه بخرقة ناعمة. لا تستخدم المواد الكاشطة الخشنة أو كاشطة معدنية حادة، فهذه يمكن أن تخدش السطح وتسبب تصدع الزجاج.
- الفولاذ المقاوم للصدأ أو طلاء المينا الذي يغطي الأجزاء الخارجية والمطاط يمكن تنظيفهما باستخدام إسفنجية مبللة بالماء الفاتر والصابون غير المتفاعل. استخدم المنتجات المخصصة لإزالة البقع العسيرة. بعد التنظيف، اشطفه وجففه جيدا. لا تستخدم المساحيق الكاشطة أو المواد الأكلة.
- يجب تنظيف الجزء الداخلي من الفرن بشكل كامل بعد كل استعمال، بينما يكون ما زال دافئا. استخدم الماء الساخن ومادة تنظيف، ثم اشطفه وجففه جيدا بواسطة خرقة ناعمة. لا تستخدم المنتجات الكاشطة.
- يمكن غسل الأدوات الملحقة مثل الأواني العادية، وهي قابلة للغسل في ماكينة غسل الأطباق بأمان.
- يجب إزالة الأتربة والدهون من لوحة التحكم باستخدام إسفنجية غير كاشطة أو قطعة قماش ناعمة.
- يمكن أن تعلق الفولاذ المقاوم للصدأ ببقع شوائب الماء إذا تم إبقاؤه على السطح لمدة طويلة، أو بسبب مواد تنظيف قوية تحتوي على الفوسفور. بعد التنظيف، اشطفه وجففه جيدا. يجب كذلك تجفيف أية بقايا من قطرات الماء.

فحص مطاط الفرن

افحص مطاط الباب حول الفرن بشكل منتظم. إذا تلف المطاط، الرجاء اتصل بأقرب مركز خدمة ما بعد البيع. نوصي بعدم استخدام الفرن إلى أن يتم استبدال المطاط.

تبديل مصباح إنارة الفرن

1. عند فصل الفرن عن شبكة الكهرباء الرئيسية، أزل الغطاء الزجاجي الذي يغطي مقبس المصباح (أنظر الرسم).
2. أزل مصباح الإنارة واستبدله بمصباح مماثل: 230 فولط، 25 واط، كبسولة E 14.
3. أعد الغطاء إلى مكانه وأعد توصيل



الفرن بالتزويد الكهربائي.

تنظيف رف التسخين السيراميكي

! لا تستخدم مواد التنظيف الكاشطة أو الأكلة (مثل المنتجات

الموجودة في حاوية رشاشة لتنظيف الشوايات أو الأفران)، مواد إزالة البقع، المنتجات المقاومة للصدأ، مساحيق التنظيف أو إسفنجيات خشنة الملمس: يمكن لذلك أن يخدش السطح بشكل لا يمكن تصليحه.

- يكفي عادة غسل الرف باستخدام إسفنجية رطبة وتجفيفه بلقافة مطبخ ماصة.
- إذا كان الرف متسخا جزئيا، امسحه بواسطة منتج لتنظيف السيراميك الزجاجي، ثم اشطفه جيدا وجففه تماما.
- لإزالة الأوساخ المستعصية الأخرى، استخدم مكشطة ملائمة (لا تكون مرفقة بالجهاز). أزل الانسكابات بأسرع وقت ممكن، ولا تنتظر حتى يبرد الرف وذلك لتحاشي تصلب المواد. يمكنك الحصول على نتائج ممتازة باستخدام إسفنجية فولاذية مقاومة للصدأ - مصممة خصيصا لتنظيف مسطحات السيراميك الزجاجية - حيث قد تم نقعها بالماء والصابون.
- إذا انسكبت مواد بلاستيكية أو تحتوي على السكر عن طريق الصدفة على الرف، أزلها فوراً بواسطة كاشطة، بينما ما زال المسطح ساخنا.
- بعد التنظيف، يمكن الاعتناء بالرف بواسطة منتج صيانة واقية: الشريط الخفي المزود بهذا الجهاز سيحمي المسطح من التلطيخ خلال الطهي. يجب إنجاز الصيانة هذه بينما يكون الجهاز دافئا (ليس ساخنا) أو باردا.
- تذكر دائما شطف الجهاز جيدا بالماء النظيف ثم تجفيفه بشكل تام: يمكن للفضلات أن تكون طبقة صلبة خلال عمليات الطهي اللاحقة.

مفتاح من	منظفات رف التسخين السيراميكي
متاجر DIY	كاشطة النوافذ وكاشطات النصل
متاجر DIY والأسواق الكبيرة والكيميائيين	نصال بديلة
بوتس والمتاجر التعاونية والمتاجر العامة ومحال شركة الكهرباء الإقليمية والأسواق الكبيرة	كولونونينا هوب برايت هوب كلين سويس كلينر

المساعدة

الرجاء خذ بعين الاعتبار المعلومات التالية:

- طراز الجهاز (Mod.).
- الرقم التسلسلي (S/N).

هذه المعلومات يمكن أن تجدها على لوحة البيانات الموجودة على الجهاز و/أو على العبوة.

! تم تصميم هذا الجهاز وتصنيعه طبقاً لمواصفات الأمان العالمية. يتم تزويد التحذيرات التالية لأسباب وقائية ويجب قراءتها بعناية.

الوقاية العامة

- إذا كان سطح الرف متشققاً، قم بإغلاق الجهاز للحيلولة دون حدوث صدمات كهربائية.
- تذكر أن درجة حرارة مجالات الطهي تبقى مرتفعة نسبياً لحوالي ثلاثين دقيقة على الأقل بعد إيقاف تشغيلها.
- أبقِ العناصر القابلة للذوبان بعيداً عن الرف، مثلاً العناصر البلاستيكية والمصنوعة من الألومنيوم، أو المنتجات التي تحتوي على نسبة عالية من السكر. أبقِ الأشياء البلاستيكية أو الألومنيوم الأظفار بعيداً عن رف التسخين: إذا نسيتهما على سطح ما زال ساخناً، يمكن أن تسبب عطباً كبيراً يلحق بالرف.
- يجب عدم تشغيل الرف من قبل أشخاص (بمن فيهم الأولاد) ذوي القدرات الجسدية، الشعورية أو العقلية المتدنية، من قبل أشخاص تنقصهم التجربة أو أي شخص ليست له دراية بالمنتج. يمكن توفير النصح لهؤلاء الأشخاص، على الأقل، من قبل شخص يتحمل المسؤولية عن أمنهم أو الحصول على تعليمات أولية متعلقة باستخدام الجهاز.
- إذا تم تركيب الطباخ على قاعدة، يجب اتخاذ الاحتياطات الضرورية لضمان عدم انزلاق الجهاز عن هذه القاعدة.
- لا تدع الأطفال يعبتون بالجهاز.

التخلص

- عند التخلص من مواد التعبئة: تقيّد بالقوانين المحلية حيث يمكن لمواد التعبئة أن يعاد تصنيعها.
- تنص التوجيهات الأوروبية 2002/96/EC المتعلقة بالأجهزة الكهربائية والإلكترونية التالفة (WEEE) على أنه يجب عدم التخلص من الأجهزة البيئية عن طريق دورة النفايات البلدية الصلبة. يتوجب جمع الأجهزة التالفة على أفراد بهدف تقليل كلفة إعادة استخدام المعادن الموجودة داخل الجهاز وتصنيعها، بينما يتم تحاشي الأضرار الممكنة للغلاف الجوي والصحة العامة. صندوق القمامة المشار إليه بعلامة 'إكس' على كافة المنتجات هو لتذكير المالك بوجوب الجمع المنفرد للقمامة.
- يمكن تجميع الأجهزة المستهلكة من خلال خدمة تجميع المهملات العامة، ثم نقلها إلى مناطق تجميع مناسبة، أو إذا كانت أتسريعات المحلية تسمح بذلك، يمكن إعادتها إلى تاجر التجزئة كجزء من اتفاقية للاستبدال في مقابل جهاز جديد مشابه.
- يسّارك كافة مصنعي الأجهزة المنزلية الرئيسيين في وضع وتنظيم أساليب لتجميع الأجهزة القديمة والمهملة.

احترام البيئة والحفاظ عليها

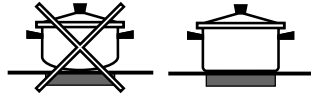
- يمكنك المساعدة في تقليل القمامة القسوى من جهد شركات شبكة التزويد الكهربائي باستخدام الفرن بين الساعات المتأخرة من بعد الظهر والساعات المبكرة من الصباح.
- افحص مطاط الباب بشكل منتظم وامسحه ونظفه لضمان خلوه من البقايا بحيث يحكم التصاقه بالباب كما ينبغي، هذا سيمنع تسرب الحرارة.

- هذه التعليمات تنطبق فقط على الدول التي تظهر رموزها في الدليل وعلى لوحة الرقم التسلسلي.
- تم تصميم الجهاز للاستعمال البيئي داخل المنزل وهو غير معدّ للاستعمال التجاري أو الصناعي.
- يجب عدم تركيب الجهاز خارج المنزل، حتى وإن كان ذلك في مناطق مغطاة. من الخطر جداً إبقاء الجهاز عرضة للشتاء والعواصف.
- لا تلامس الجهاز وأنت حافي القدمين أو بيدين ورجلين مبلتين أو رطبتين.
- يجب استخدام الجهاز من قبل البالغين فقط لتحضير الطعام، بموجب التعليمات المرفقة في هذه الكراسة.
- نشر التعليمات مرفقة بالجهاز من الصنف 1 (المنفرد) أو الصنف 2 - الصنف الفرعي 1 (الموضوع بين خزانيتين).
- عندما يكون الجهاز قيد الاستخدام، تصبح عناصر التسخين وبعض أجزاء باب الفرن ساخنة جداً. تأكد من عدم ملامستها وابتعد الأطفال عنها.
- تأكد من أن كبلات تزويد الطاقة الخاصة بالأجهزة الأخرى لا تلامس الأجزاء الساخنة من الفرن.
- يمنع تغطية الفتحات المعدة للتهوية ولعزل الحرارة منعاً باتاً.
- لا تضع أواني غير ثابتة أو معوجة على ألواح التسخين الكهربائية، وهو ما يساعد في تجنب الانسكاب. فو بوضعها على رف التسخين بحيث تكون المقابض متجهة ناحية وسط الجهاز.
- استخدم قفازات الفرن دائماً عند إدخال إناء الطهي إلى الفرن أو عند إخراجها منه.
- لا تستخدم السوائل القابلة للاشتعال (مثل الكحول، البترول وما شابه ذلك) بجانب الجهاز أثناء استخدامه.
- لا تضع المواد القابلة للاشتعال في حجرة التخزين السفلية أو في الفرن ذاته. إذا تم تشغيل الجهاز عن غير قصد، فمن الممكن أن يحترق.
- تأكد دائماً من أن المفاتيح موجودة بالوضع "0" عندما لا يكون الجهاز قيد الاستخدام.
- عند فصل الجهاز عن الكهرباء، اسحب دائماً القابس من مقبس الشبكة الرئيسية؛ لا تسحب الكبل.
- لا تقم بأي عملية تنظيف أو صيانة دون فصل الجهاز عن شبكة الكهرباء الرئيسية.
- إذا تعطل الجهاز، عليك ألا تحاول، بأي حال من الأحوال، إجراء التصليحات بنفسك. يمكن لإجراء التصليحات من قبل أشخاص قليلي الخبرة أن يلحق الأذى أو حتى إلى تعطيل الجهاز.
- لا تضع أغراضاً ثقيلة على باب الفرن وهو مفتوح.
- قد تكون الأسطح الداخلية للكابينة (التي توجد بها) ساخنة.
- رف السيراميك الزجاجي مقاوم للارتجاج الميكانيكي، ولكنه يمكن أن يتصدع (أو حتى أن ينكسر) إذا تعرض لصدمة من عنصر حاد مثل أدوات العمل. إذا حدث ذلك، افصل الجهاز عن الشبكة الكهربائية الرئيسية فوراً واتصل بمركز الخدمة.

إعداد	لوحة عادية أو سريعة
0	إيقاف تشغيل
1	طهي الخضروات والسمك
2	طهي البطاطس (باستخدام البخار)، والحساء والحمص والبقوليات
3	استمرار الطهي للكميات الكبيرة من الطعام، حساء مينسرون
4	للشواء (متوسط)
5	للشواء (فوق المتوسط)
6	للتحمير والوصول للغليان في وقت قصير.

نصيحة عملية لاستخدام رف التسخين

- استخدم أواني بقاعدة سميكة ومسطحة لضمان استقرارها على مجال الطهي بشكل تام.



- استخدم دائما الأواني ذات القطر الكبير بما فيه الكفاية لتغطية صفيحة التسخين بشكل كامل، بهدف استخدام كل الحرارة الصادرة.



- تحقق دائما من أن قاعدة الإناء نظيفة وتم تجفيفها بشكل تام: يضمن ذلك استقرارها على مجالات الطهي بشكل كامل، مع امتداد عمر استخدام الأواني ورف التسخين لفترة أطول.
- امتنع عن استخدام إناء الطهي ذاته الذي تم استخدامه لمحارق الغاز: تركيز الاحتراق في محارق الغاز يمكن أن يكون قد أفسد قاعدة الإناء، وسبب له عدم الاستقرار على السطح بشكل صحيح.
- لا تترك أبدا مجال الطهي قيد التشغيل دون وضع إناء الطهي عليه لأن القيام بذلك قد يؤدي لتلف عناصر التسخين.

! الغراء المصق على السدادات يترك آثار تشحيم على الزجاج. قبل استخدام الجهاز، نحن ننصح بإزالة هذه البقايا بواسطة منتج تنظيف غير كاشط. خلال الساعات القليلة الأولى من الاستخدام، ستكون هناك رائحة مطاط وسرعان ما ستختفي.

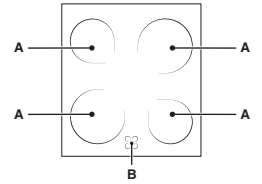
تشغيل وإيقاف مجالات الطهي

لتشغيل مجال الطهي، قم بلف المفتاح المناسب باتجاه عقارب الساعة. لإطفاء مجال الطهي، قم بلف المفتاح باتجاه عكس عقارب الساعة حتى الوصول إلى الوضع "0". إذا كان مصباح لوحة التسخين النشطة مضاءً، فإن هذا يشير إلى أن لوحة تسخين واحدة على الأقل على الرف قد تم تشغيلها.

مجالات الطهي

تم تزويد أرفف التسخين بسخانات كهربائية مشعة. توجد هذه السخانات مدمجة أسفل سطح رف التسخين كمجالات طهي تصبح حمراء أثناء الاستخدام.

أ. مساحة الطهي
ب. مؤشرات التسخين الزائده: يشير إلى أن درجة حرارة منطقة الطهي أعلى من 60 درجة، حتى بعد إطفاء عنصر التسخين ولكنه مازال ساخناً.



مجالات للطهي مع عناصر التسخين

تتكون عناصر التسخين المشعة من عناصر تسخين دائرية. يتحول لونها إلى اللون الأحمر فقط بعد حوالي 10 إلى 20 ثانية من تشغيلها.

! لا تحرق مباشرة في عناصر التسخين الهالوجين.

قم بلف المقبض المناسب باتجاه عقارب الساعة إلى موضع بين 1 و 6.

نصائح طهي عملية

! لا تضع الصينيات بالوضعين 1 و 5 خلال الطهي بمساعدة المروحة. الحرارة المباشرة المبالغ بها يمكن أن تحرق الأطعمة الحساسة للحرارة المرتفعة.

! في نمط الطهي GRILL، ضع صينية التنقيط في الوضع 1 لجمع فضلات الطهي (الدهون و/أو الشحوم).

الشواية

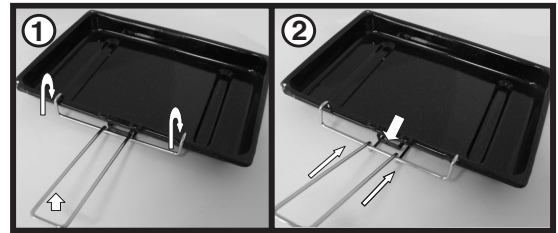
- أدخل الحامل بالوضع 3 أو 4. ضع الطعام في مركز الحامل.
- نحن نوصي بضبط مستوى الطاقة إلى الحد الأقصى. تتم معايرة عنصر التسخين الأعلى بواسطة ترموستات ومن الممكن ألا يتم تشغيله بشكل متواصل.

PIZZA

- استخدم صينية بيتزا من الألومنيوم الخفيف. ضعها على الحامل المزود.
- للحصول على قشرة هشة، لا تستخدم صينية التنقيط (لأنها تمنع القشرة من التكوّن بسبب إطالة وقت الطهي).
- إذا كانت البيتزا تحتوي على الكثير من الإضافات العلوية، نحن نوصي بإضافة جبنة الموزاريلا في وسط وجه البيتزا خلال

استخدام طقم أواني المشواة
يمكن فصل مقبض إناء المشواة من الإناء لتسهيل عمليتي التنظيف والتخزين. قم بتركيب مقبض الإناء بإحكام قبل الاستخدام:

1. قم بتركيب المقبض بإناء المشواة حتى يتم تعليق "الملاقط" الخارجية في حافة الإناء. (الشكل 1)
 2. تحقق أن الجزء الأوسط من المقبض يناسب تماماً الدعامة البارزة في الإناء (الشكل 2) ويمسك الإناء من القاع. يجب وضع الطعام على الرف في إناء الشواء.
- وضع إناء المشواة أعلى رف الفرن. يتم تحقيق أفضل النتائج عن طريق وضع رف الفرن على الأرفف العلوية. يؤدي صب القليل من الماء في إناء المشواة إلى تجميع جزيئات الدهن بشكل أكثر فعالية ويمكن تصاعد الدخان



جدول نصائح الطهي في الفرن

الطعام المطلوب طهيهِ	الوزن (الوزن)	موضع الطهي في الأرفف من الأسفل	درجة الحرارة (منوية)	متغير الشواية	وقت الإحماء المسبق (بالدقائق)	وقت الطهي (دقيقة)
المخبوزات						
لازانيا	2.5	3	210		-	75-80
كانيلوني	2.5	3	210	الحد الأقصى	-	75-80
نودلز مطهية في الفرن	2.5	3	210	-	-	75-80
لحوم						
لحم العجل	1.7	3	230		-	85-90
دجاج	1.5	3	220		-	110-115
ديك رومي	3.0	3	الحد الأقصى	الحد الأقصى	-	95-100
بط	1.8	3	230		-	120/125
أرنب	2	3	230		-	105/110
لحم خنزير	2.1	3	230		-	100/110
لحم الخروف	1.8	3	230		-	90-95
سمك						
سمك الماكريل	1.1	3	210-230		-	55-60
دينتكس	1.5	3	210-230	الحد الأقصى	-	60-65
سمك سلمون مخبوز في الورق	1.0	3	210-230	-	-	40-45
بيتزا						
نابوليتان	1.0	3	الحد الأقصى	الحد الأقصى	15	30-35
كعك						
بسكويت	0.5	3	180		15	30-35
التورتات	1.1	3	180	الحد الأقصى	15	30-35
كعكة الشوكولاتة	1	3	200		15	45-50
الكعك المرتفع	1	3	200		15	50/55
الطهي بالمشواة						
توست	n.° 4	4			5	5-6
شرائح خنزير	1.5	4		3/4	5	20-30
سمك الماكريل	1.1	4			5	20-30

ملاحظة: أوقات الطهي هي تقريبية وتتغير وفقاً للذوق الشخصي.

! لا تضع أبداً أغراضاً في الجهة السفلية من الفرن؛ وذلك لتحميها
إتلاف طلاء المينا. لا تستخدم الوضع 1 في الفرن إلى عند الطهي
بواسطة سيخ المشواة.

! ضع إناء طهي دائماً على الحامل(ات) المزودة.

مصباح مؤشر الترموستات

عندما يضيئ هذا، يقوم الفرن بإصدار الحرارة. سوف ينطفئ
عندما يصل داخل الفرن إلى درجة الحرارة المختارة. عندئذ
يضيئ وينطفئ الضوء على التوالي، ليشير إلى ان الترموستات
تعمل وتحتفظ بدرجة حرارة عند مستوى ثابت.

إضاءة الفرن

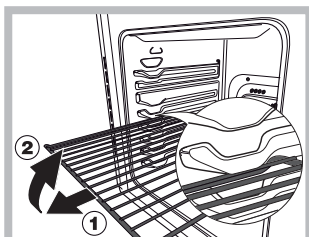
يعمل عن طريق لف مفتاح الاختيار إلى وضع آخر غير
"0". ويظل مضيئاً مادام الفرن يعمل. بواسطة اختيار
مع المفتاح، يضيئ المصباح بدون تنشيط أي من
عناصر التسخين.

تهوية التبريد*

بهدف خفض درجة حرارة الفرن الخارجية يتم تجهيز بعض
الموديلات بمراوح تعمل توليد تيار من الهواء يجري بين لوحة
التحكم في الفرن وباب الفرن.
! عند اكتمال الطهي، ستواصل مروحة التبريد عملها حتى يبرد
الفرن بما فيه الكفاية.

استخدام ساعة توقيت الطبخ

1. لإعداد جرس التنبيه، أدر زر ساعة توقيت الطهي باتجاه عقارب الساعة دورة كاملة تقريباً.
 2. أدر المفتاح بعكس اتجاه عقارب الساعة لإعداد الوقت المطلوب: قم بملاءمة الدقائق المبيّنة على مفتاح ساعة توقيت الطهي مع المؤشر الموجود على لوحة التحكم.
 3. عند انتهاء الوقت المختار، سيقوم جرس التنبيه بإسراع صوت وينغلق الفرن.
 4. عند انغلاق الفرن، يمكن استخدام ساعة توقيت الطهي كساعة عادية.
- ! لاستخدام الفرن يدوياً، أو بمعنى آخر، عندما لا تريد استخدام
نهاية ساعة توقيت الطهي، قم بلف مقبض ساعة توقيت الطهي
حتى تصل إلى الرمز (A).



ماظن ب زرفال ديوزت مت ! هيبنت
اه جارخ إ ب حم سي تاك بشلل فاق ي
(1) زرفال نم جرخت نأ نودب
يفك ي لم الكلاب تاك بشلل جارخ إ
ب ناچل نم اهكاسم إ عم اهعفر
يف حضوم وه امك، اهبح سو ي م أم أ
(2) لكش ل.

! عند استخدامك لجهازك لأول مرة، قم بإحماء الفرن الفارغ
بينما يكون بابه مغلقاً، بدرجة الحرارة القصوى ولنصف
ساعة على الأقل. تأكد من أن الغرفة متهوية جيداً قبل إطفاء
الفرن وفتح باب الفرن. يمكن للجهاز أن يطلق رائحة كريهة
قليلاً بسبب المواد الواقية المستخدمة خلال عملية التصنيع
بسبب الحرق.

! قبل تشغيل المنتج، قم بإزالة الطبقة البلاستيكية من
جوانب الجهاز.

تشغيل الفرن

1. اختر نمط الطهي المرغوب بلف مفتاح الاختيار.
2. اختر الحرارة المرغوبة باستخدام مقبض الشواء المتغير.
- راجع جدول نصائح الطهي للتعرف على أنماط الطهي ودرجات
الحرارة المقترحة للطهي (أنظر أنماط الطهي).
3. عند انتهاء الإحماء المسبق، سيظل مصباح مؤشر الترموستات
مضيئاً: ضع الأطعمة في الفرن.
4. يمكنك القيام بما يلي أثناء الطهي:
- تغيير درجة حرارة نمط الطهي عن طريق لف مفتاح الاختيار.
- تغيير درجة الحرارة بواسطة إدارة مفتاح الشواء المتغير.
- إيقاف الطهي بواسطة لف مفتاح الاختيار إلى الوضع "0".

! لا تضع أبداً أغراضاً على قاع الفرن مباشرة، وذلك لتحميها
إتلاف طلاء المينا.

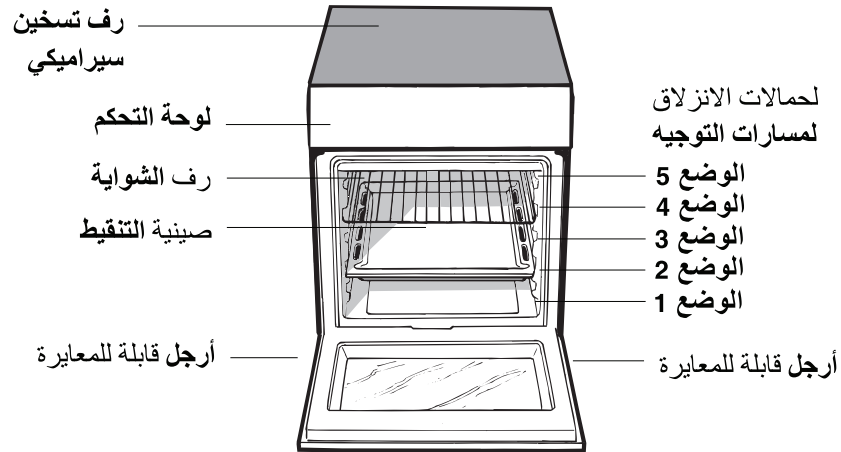
! ضع إناء طهي دائماً على الحامل(ات) المزودة.

عند تشغيل مقبض الاختيار في اتجاه عقارب الساعة إلى
الرمز (A) فإن المروحة تعمل ويضيئ مصباح الفرن
ليساعد في فك تجميد الأطعمة المجمدة. بتدوير المفتاح
على النطاق الكامل من درجات الحرارة الموضحة على
القرص، يمكن اختيار أيهما أكثر ملاءمة للطعام الذي ستقوم
بطهيته (وضع المروحة المساعدة). يتم الوصول إلى درجة
الحرارة أوتوماتيكياً ويتم التحكم فيها بواسطة ترموستات
الفرن (من 60 إلى 240 درجة مئوية).

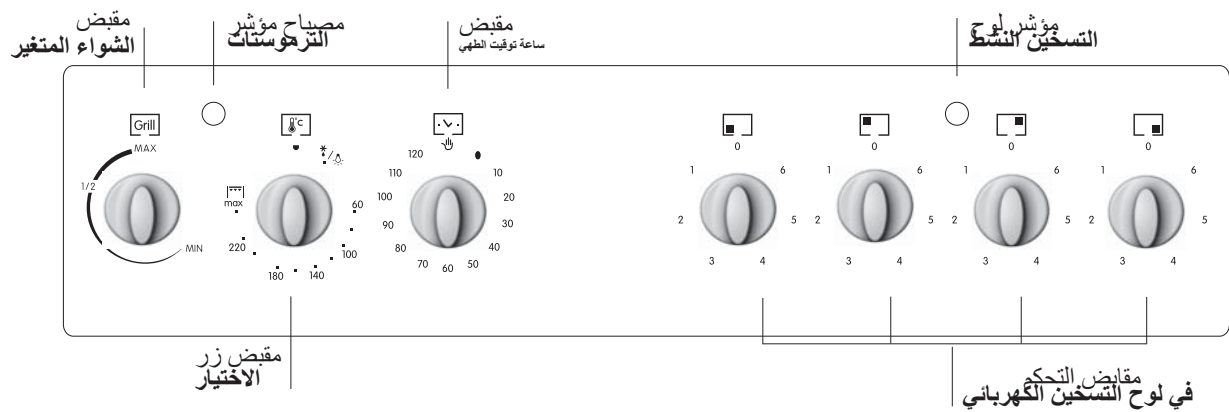
الشواء

يتم تشغيل عنصر التسخين العلوي. يتم في هذا الإعداد
طهي الطعام بواسطة الأشعة الحرارية الناتجة بالاتجاه
أسفل بواسطة العنصر الحراري المتوهج. إن درجة
الحرارة المرتفعة للغاية والحرارة المباشرة للشواية تجعل
من الممكن تحمير اللحوم والمشويات مع حجز عصيرها
لتصبح طرية.

! طبخ دائماً في هذا الوضع مع إغلاق باب الفرن.



لوحَة التِحكم

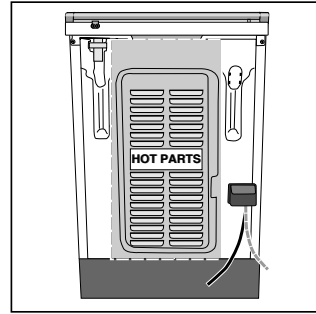


توصيل كبل تزويد الكهرباء بالشبكة الكهربائية الرئيسية

تحذيرات: يجب على هذا الجهاز أن يكون مؤرّضاً.
 ! يجب توصيل الطباخ بالمصدر الرئيسي للكهرباء بواسطة مقبس ذي مفتاح تبديل (ثنائي القطب) ومصهرة بشكل صحيح بسعة مناسبة وتكون موضحة على لوحة قيم الطباخ. بالنسبة لكل الأسلاك الكهربائية من وحدة الاستهلاك إلى الطباخ، من خلال مقبس للطباخ ذي مفتاح تبديل ثنائي القطب، يجب أن تكون من نوع مقبول وتصنيف مناسب كما هو موضح بأعلى.
 ! يجب موضحة كبل التزويد بحيث لا يصل أي جزء منه إلى درجة حرارة 50 درجة مئوية ما فوق درجة حرارة الغرفة. يجب توجيه الكبل بعيداً عن الفتحات الخلفية.

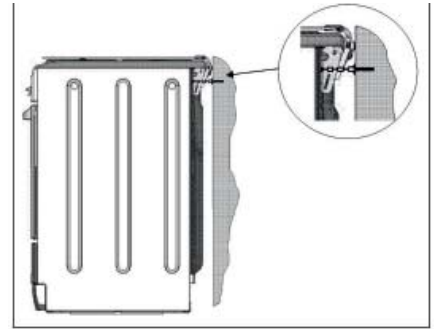
تردد وفولطية المصدر الرئيسي للتيار الكهربائي في الجزء الكهربائي

الجزء الكهربائي		الطراز
الطاقة (واط)	الفولطية	
8600	240 فولت ~ 50/60 هرتز	16VV2A/UK



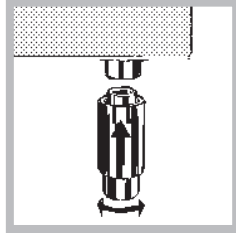
البيانات التقنية	
أبعاد الفرن (الارتفاع×العرض×العمق)	32,4x43,5x41,3 سم
السعة	59 لتر
مقاييس مفيدة خاصة بكابينة الفرن	العرض 42 سم العمق 44 سم الارتفاع 8,5 سم
فولطية وتردد مصدر تزويد الطاقة	راجع لوحة البيانات
لوح التسخين الكهربائي	الأمامي الأيسر 1700 واط الخلفي الأيسر 1200 واط الخلفي الأيمن 2100 واط الأمامي الأيمن 1200 واط
الحد الأقصى لامتناس لوح التسخين الكهربائي	6200 واط
لوحة الطاقة	استهلاك الطاقة المصرح به لمستوى الحمل الحراري الاضطرابي-أسلوب التسخين - نمط الإحماء: مروحة مساعدة
	  ECODESIGN Directive 2009/125/EC

طوقسلا مدع لجأ نم
 يلع، زاهجلل يضرعلا
 ام دنع لاثملا لبيس
 قلس لفظ لواح ي
 هنإف، نرفلا باب
 ةسلس بيكرت بجي
 !ةقفرملا ني مأتلا
 دقوم ديوزت مت
 ةسلسب يهطلا
 بجي ني مأت
 ةسواس اه بيكرت



فلخ عقي يذلا رادجال ي (يهطلا دقوم عم قفرم ريغ) يغارب رام سم سفن زاهجلا
 زاهجلا عم ةقفرملا ةسلسلا لوط
 ةنوكملا ةداملا عون بسح رام سملا مي نم ويغاربلا رام سم رايتخاب مق
 9 نم رغصاً رام سملا سار رطق ناك اذؤ. زاهجلا فلخ عقي يذلا رادجال
 يغارب رام سم يناسرخلا رادجال بلطت يو. ةكلف مادختسا بجي ف، لم
 لقالا يلع ملم 60 لوطبو ملم 8 رطق
 يهطلا دقوم فلخ عقي يذلا طئاحلا ي ةسلسلا تي بثت نم دكأت
 أي زاومو أدودشم نوكي شيحب لكشلا ي ف حضوم وه امك رادجالا يلو
 يوتسم
 تي بثتلا دعب ةيضرألا

تناسب الأرجل* المزودة مع الجهاز
الفتحات الموجودة أسفل قاعدة الموقد.

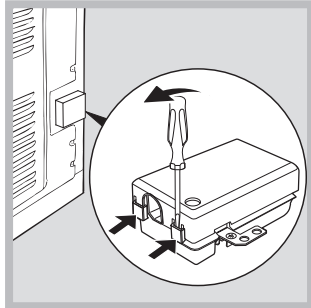


يجب تركيب الجهاز خلف باب زخرفي تجنباً لفرط الحرارة

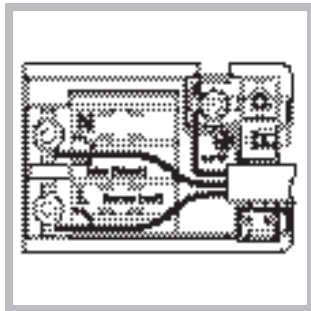
التوصيلات الكهربائية

تأتي الطباخات الكهربائية بدون كبل تزويد الطاقة. تم تصميم الطباخ لي عمل بالطاقة الكهربائية التي تتطابق مع البيانات الكهربائية الموضحة على لوحة القيم. لا يمكن توصيل الطباخ بمصدر الطاقة الكهربائية الرئيسي إلا بعد خلع اللوحة الخلفية للطباخ نفسه باستخدام مفك البراغي.
! يجب تنفيذ عملية التركيب التالية من قبل أخصائي كهرباء مؤهل. يجب أن يتطابق التركيب الكهربائي مع لوائح IEE، وقواعد البناء المحلية.

1. افتح اللوحة النهائية بواسطة إدخال مفك في الألسنة الجانبية الموجودة على الغطاء. استخدم المفك كرافعة بضغطة إلى الأسفل لفتح الغطاء (انظر الرسم).
2. حرر برغي كيشة الكبل وأزله، باستخدام مفك براغي كرافعة (انظر الرسم).



3. حرر براغي نقاط التماس في السلك L-N- \perp ثم ثبت الأسلاك تحت رؤوس البراغي، مع التقيد بكون اللون: الأسود/الأزرق (N)، الأحمر/البنّي (L) والسلك المكشوف/الأصفر-الأخضر (\perp).



- بمجرد إتمام التوصيلات، قم بربط البراغي الطرفية بإحكام تام.
- ثبت كبل التزويد في مكانه بواسطة الكيشة واغلق غطاء اللوحة النهائية.

! قبل تشغيل جهازك الجديد، يرجى قراءة نشرة المعلومات هذه بعناية. إنها تحتوي على معلومات هامة فيما يتعلق بالتركيب والتشغيل الآمن للجهاز.

! الرجاء الاحتفاظ بمعلومات التشغيل هذه لمراجعتها في المستقبل. تأكد من إرفاق هذه التعليمات بالجهاز إذا تم بيعه أو نقله أو منح لأشخاص آخرين.

! يجب تركيب الجهاز من قبل خبير مؤهل بموجب التعليمات المزودة.

! يجب أن تتم أية عملية ضبط أو صيانة ضرورية بعد فصل الجهاز عن مصدر الكهرباء

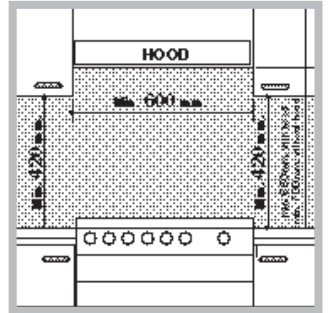
اختيار الموضع والارتفاع

! من الممكن تركيب الجهاز بجانب الخزائن التي لا يتجاوز ارتفاعها سطح الرف.

! تأكد من أن الحائط الذي يلامس خلفية الجهاز مصنوع من مادة غير قابلة للاشتعال ومقاومة للحرارة (درجة حرارة 90 درجة مئوية).

تركيب الجهاز بشكل صحيح:

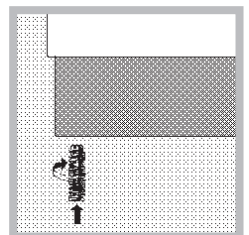
- ضع الجهاز في المطبخ أو غرفة الطعام أو غرفة مجاورة لغرفة النوم (ليست غرفة النوم).
- إذا كان سطح الرف أعلى من الخزائن، يجب تركيب الجهاز على مسافة 200 ملم على الأقل منها.
- إذا تم تركيب الجهاز أسفل خزانة حائطية، فإنه يجب أن تكون هذه الخزانة مركبة على بعد 420 ملم بين الخزائنة و سطح الرف. على هذه المسافة أن تزيد إلى 700 ملم في حال كانت الخزائن سريعة الاشتعال (انظر الرسم).



- لا تضع ستائر بجانب الطباخ أو على بعد يقل عن 200 ملم عن جوانبه.
- يجب تركيب أية أغطية وفقاً للتعليمات المدرجة في دليل التشغيل الملائم.

تحديد المستوى

إذا كان من الضروري تحديد مستوى الجهاز، قم بلف القدم* القابلة للضبط في الأماكن المزودة في كل ركن من قاعدة الجهاز (انظر الشكل).



نموى لعلأه اجات تي بثللا ءءو وعضو نم ءكأت !
م تي اءنء فو وءللا نم فو لءللا ءءللا فو اءءاوت
ءك بشللا ءضو.

انءبه: فبصء هءا الءاز وءمفء آءزاء الملموسة ساءنة آءا أثناء الاءءءام.
فءب ءوآى الءر وءءنب ملاسة ءناصر ءءسءفن.

قم بابعاء الأطفال الأقل من سن 8 سنوات عن الءاز إلا فو ءالة مرابءءهم
المسءمة.

فمكن أن فقوم الأطفال الأكبر من سن 8 سنوات باءءءام هءا الءاز كما فمكن
اءءءامه من قفل أشخاص ءو فءراء ءسءفة أو ءسفة أو ءقلفة مءءوءة؛ أو من
قفل أشخاص ءفءءءء ءبرة والمءرفة بالءاز ، طالما ءءم مرابءءهم بعنافة أو فءم
ءعلفمهم ءفءا ففما فءءلق باءءءام الءاز نفسه من قفل شءص مسئول عن سلامءهم
واءاطءهم ءلما بءمفء المءاطر ءء فء فءسبب بها الءاز. فءب مرابءة الأطفال
لءءأكد من ءءم ءبءهم بالءاز. لا فءب أن فقوم الأطفال بعملفاء ءءنظف وصبافة
الءاز إلا ءء المرابءة.

انءبه: إن ءرك بالموءء شءم وزفوء ءون مرابءة ءفء أنه قء فكون مصدر ءطر
كما قء فءسبب فو ءءوء ءرائق.
لا فءب أبءا مءاولءة إطفاء شءلة/ءرفق بواسءة الماء، بل فءب أن ءقوم باءفاء
الءاز وءءطففة الشءلة ءلى سبفل المءال بواسءة ءطاء أو بواسءة بطانفة مءاءة
للاشءءال.

انءبه: ءطر ءءوء ءرائق: لا ءءرك أشفاء ءلى أسطء الطهف.

انءبه: إذا شءرء السطء الزءاءف السفرامفكف. قم باءفاء الءاز لءءنب ءءوء
صءقات ءهر بائفة.

لا ءقم أبءا بءنظف الءاز بواسءة آلات ءنظف بالءءار أو بالصبءء العالف.

إن الءاز ءفر مءصص لفءم ءشءفله بواسءة وءءة ءءكم زمف ءارءفة أو نءام
ءءكم من ءلى بعء منفصل عن الءاز.

ءءءرءاء

ءنءبه: فءب مرابءة ءملفة الطهف. فءب مرابءة ءملفة الطهف القصفر باءءمرار.

إذا كان سلك الطاقء ءالفا، فءب اءءبءاله بسلك ءاص من المصنع أو وكفل ءءمة.

تعليمات التشغيل

الموقد والفرن

المحتويات

التركيب،

اختيار الموضع والارتفاع
التوصيلات الكهربائية
البيانات التقنية



عربي، 1

وصف الجهاز،

نظرة عامة
لوحة التحكم

التشغيل والاستخدام،

تشغيل الفرن
استخدام ساعة توقيت الطبخ
جدول نصائح الطهي في الفرن

I6VV2A/UK

استخدام رف التسخين السيراميكي،

تشغيل وإيقاف مجالات الطهي
مجالات الطهي

وسائل حذر ونصائح،

الوقاية العامة
التخلص
احترام البيئة والحفاظ عليها

العناية والصيانة،

إيقاف تشغيل الجهاز
تنظيف الجهاز
تبدال مصباح إنارة الفرن
تنظيف رف التسخين السيراميكي
المساعدة