

# Instructions for use

## WASHING MACHINE

GB

**GB**

English,1

**PL**

Polski,13

**HU**

Magyar,25

**RO**

Română,37

**IT**

Italiano,49

**WMD 722**

### Contents

#### Installation, 2-3

Unpacking and levelling  
Connecting the electricity and water supplies  
The first wash cycle  
Technical data

#### Care and maintenance, 4

Cutting off the water or electricity supply  
Cleaning the washing machine  
Cleaning the detergent dispenser drawer  
Caring for the door and drum of your appliance  
Cleaning the pump  
Checking the water inlet hose

#### Precautions and tips, 5

General safety  
Disposal

#### Description of the washing machine, 6-7

Control panel  
Display

#### Running a wash cycle, 8

#### Wash cycles and functions, 9

Table of wash cycles  
Wash functions

#### Detergents and laundry, 10

Detergent dispenser drawer  
Preparing the laundry  
Special wash cycles  
Load balancing system

#### Troubleshooting, 11

#### Service, 12

**Hotpoint**  
ARISTON

# Installation

GB

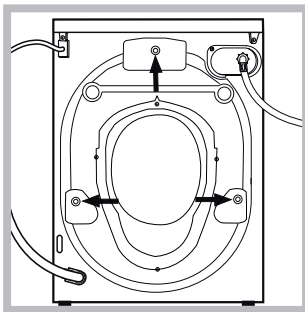
! This instruction manual should be kept in a safe place for future reference. If the washing machine is sold, transferred or moved, make sure that the instruction manual remains with the machine so that the new owner is able to familiarise himself/herself with its operation and features.

! Read these instructions carefully: they contain vital information relating to the safe installation and operation of the appliance.

## Unpacking and levelling

### Unpacking

1. Remove the washing machine from its packaging.
2. Make sure that the washing machine has not been damaged during the transportation process. If it has been damaged, contact the retailer and do not proceed any further with the installation process.

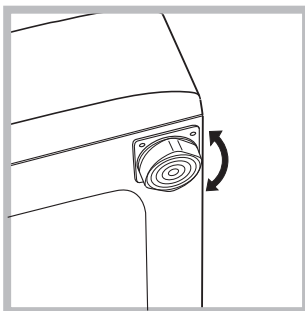


3. Remove the 3 protective screws (used during transportation) and the rubber washer with the corresponding spacer, located on the rear part of the appliance (see figure).

4. Close off the holes using the plastic plugs provided.
5. Keep all the parts in a safe place: you will need them again if the washing machine needs to be moved to another location.

! Packaging materials should not be used as toys for children.

### Levelling

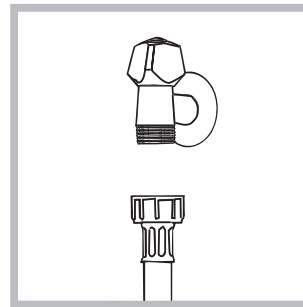


1. Install the washing machine on a flat sturdy floor, without resting it up against walls, furniture cabinets or anything else.
2. If the floor is not perfectly level, compensate for any unevenness by tightening or loosening the adjustable front feet (see figure); the angle of inclination, measured in relation to the worktop, must not exceed 2°.

Levelling the machine correctly will provide it with stability, help to avoid vibrations and excessive noise and prevent it from shifting while it is operating. If it is placed on carpet or a rug, adjust the feet in such a way as to allow a sufficient ventilation space underneath the washing machine.

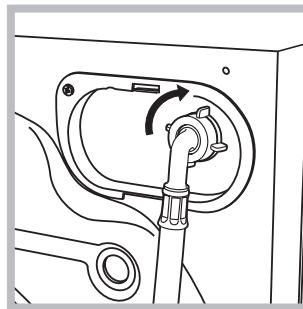
## Connecting the electricity and water supplies

### Connecting the water inlet hose



1. Connect the inlet hose by screwing it to a cold water tap using a 3/4 gas threaded connection (see figure).

Before performing the connection, allow the water to run freely until it is perfectly clear.



2. Connect the inlet hose to the washing machine by screwing it onto the corresponding water inlet of the appliance, which is situated on the top right-hand side of the rear part of the appliance (see figure).

3. Make sure that the hose is not folded over or bent.

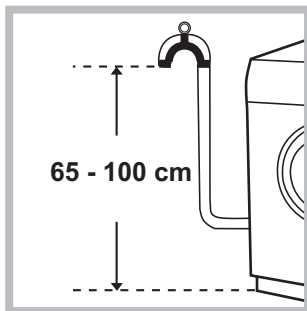
! The water pressure at the tap must fall within the range of values indicated in the Technical data table (see next page).

! If the inlet hose is not long enough, contact a specialised shop or an authorised technician.

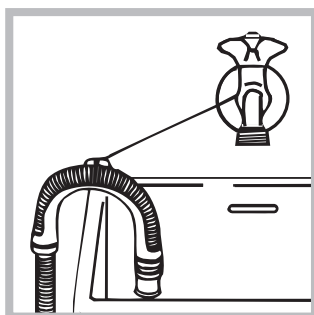
! Never use second-hand hoses.

! Use the ones supplied with the machine.

## Connecting the drain hose



Connect the drain hose, without bending it, to a drain duct or a wall drain situated between 65 and 100 cm from the floor;



alternatively, placed it over the edge of a basin, sink or tub, fastening the duct supplied to the tap (see *figure*). The free end of the hose should not be underwater.

! We advise against the use of hose extensions; if it is absolutely necessary, the extension must have the same diameter as the original hose and must not exceed 150 cm in length.

## Electrical connections

Before plugging the appliance into the electricity socket, make sure that:

- the socket is earthed and complies with all applicable laws;
- the socket is able to withstand the maximum power load of the appliance as indicated in the Technical data table (see *opposite*);
- the power supply voltage falls within the values indicated in the Technical data table (see *opposite*);
- the socket is compatible with the plug of the washing machine. If this is not the case, replace the socket or the plug.

! The washing machine must not be installed outdoors, even in covered areas. It is extremely dangerous to leave the appliance exposed to rain, storms and other weather conditions.

! When the washing machine has been installed, the electricity socket must remain within easy reach.

- ! Do not use extension cords or multiple sockets.
- ! The cable should not be bent or compressed.
- ! The power supply cable must only be replaced by authorised technicians.

Warning! The company shall not be held responsible in the event that these standards are not observed.

## The first wash cycle

Once the appliance has been installed, and before you use it for the first time, run a wash cycle with detergent and no laundry, using wash cycle number "Auto Clean" (see "Cleaning the washing machine").

### Technical data

<b>Model</b>	WMD 722
<b>Dimensions</b>	width 59.5 cm height 85 cm depth 52.2 cm
<b>Capacity</b>	from 1 to 7 kg
<b>Electrical connections</b>	please refer to the technical data plate fixed to the machine
<b>Water connections</b>	maximum pressure 1 MPa (10 bar) minimum pressure 0.05 MPa (0.5 bar) drum capacity 46 litres
<b>Spin speed</b>	up to 1200 rotations per minute
<b>Test wash cycles in accordance with regulations 1061/2010 1015/2010</b>	programme  (60°) (1st press of the button); Cotton Standard 60°. programme  (40°) (2nd press of the button); Cotton Standard 40°.



This appliance conforms to the following EC Directives:

- 2004/108/EC (Electromagnetic Compatibility)
- 2006/95/EC (Low Voltage)
- 2012/19/EU (WEEE)

# Care and maintenance

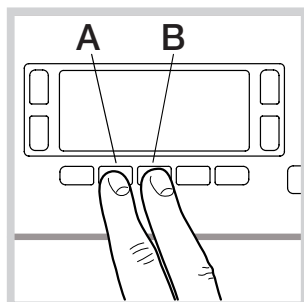
GB

## Cutting off the water and electricity supplies

- Turn off the water tap after every wash cycle. This will limit wear on the hydraulic system inside the washing machine and help to prevent leaks.
- Unplug the washing machine when cleaning it and during all maintenance work.

## Cleaning the washing machine

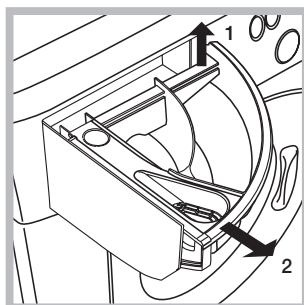
- The outer parts and rubber components of the appliance can be cleaned using a soft cloth soaked in lukewarm soapy water. Do not use solvents or abrasives.
- The washing machine has a “Auto Clean” programme for its internal parts that **must be run with no load in the drum**.



To help the wash cycle you may want to use either the detergent (i.e. a quantity 10% the quantity specified for lightly-soiled garments) or special additives to clean the washing machine. We recommend running a cleaning

programme every 40 wash cycles. To start the programme press buttons **A** and **B** simultaneously for 5 seconds (see figure). The programme will start automatically and will run for about 70 minutes. To stop the cycle press the START/PAUSE button.

## Cleaning the detergent dispenser drawer



Remove the dispenser by raising it and pulling it out (see figure). Wash it under running water; this operation should be repeated frequently.

## Caring for the door and drum of your appliance

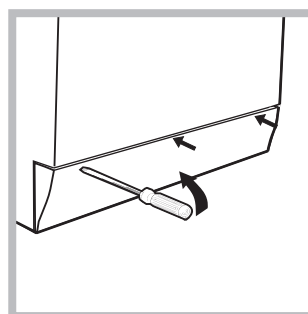
- Always leave the porthole door ajar in order to prevent unpleasant odours from forming.

## Cleaning the pump

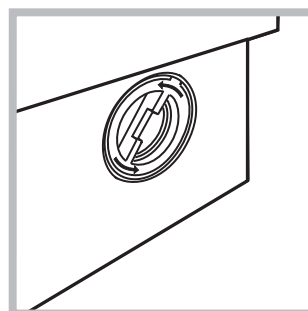
The washing machine is fitted with a self-cleaning pump which does not require any maintenance. Sometimes, small items (such as coins or buttons) may fall into the pre-chamber which protects the pump, situated in its bottom part.

**!** Make sure the wash cycle has finished and unplug the appliance.

To access the pre-chamber:



1. using a screwdriver, remove the cover panel on the lower front part of the washing machine (see figure);



2. unscrew the lid by rotating it anti-clockwise (see figure): a little water may trickle out. This is perfectly normal;

3. clean the inside thoroughly;
4. screw the lid back on;
5. reposition the panel, making sure the hooks are securely in place before you push it onto the appliance.

## Checking the water inlet hose

Check the inlet hose at least once a year. If there are any cracks, it should be replaced immediately: during the wash cycles, water pressure is very strong and a cracked hose could easily split open.

**!** Never use second-hand hoses.

! This washing machine was designed and constructed in accordance with international safety regulations. The following information is provided for safety reasons and must therefore be read carefully.

## General safety

- This appliance was designed for domestic use only.
- This appliance can be used by children aged from 8 years and above and persons with reduced physical, sensory or mental capabilities or lack of experience and knowledge if they have been given supervision or instruction concerning use of the appliance in a safe way and understand the hazards involved. Children shall not play with the appliance. Cleaning and user maintenance shall not be made by children without supervision.
- Do not touch the machine when barefoot or with wet or damp hands or feet.
- Do not pull on the power supply cable when unplugging the appliance from the electricity socket. Hold the plug and pull.
- Do not open the detergent dispenser drawer while the machine is in operation.
- Do not touch the drained water as it may reach extremely high temperatures.
- Never force the porthole door. This could damage the safety lock mechanism designed to prevent accidental opening.
- If the appliance breaks down, do not under any circumstances access the internal mechanisms in an attempt to repair it yourself.
- Always keep children well away from the appliance while it is operating.
- The door can become quite hot during the wash cycle.
- If the appliance has to be moved, work in a group of two or three people and handle it with the utmost care. Never try to do this alone, because the appliance is very heavy.
- Before loading laundry into the washing machine, make sure the drum is empty.

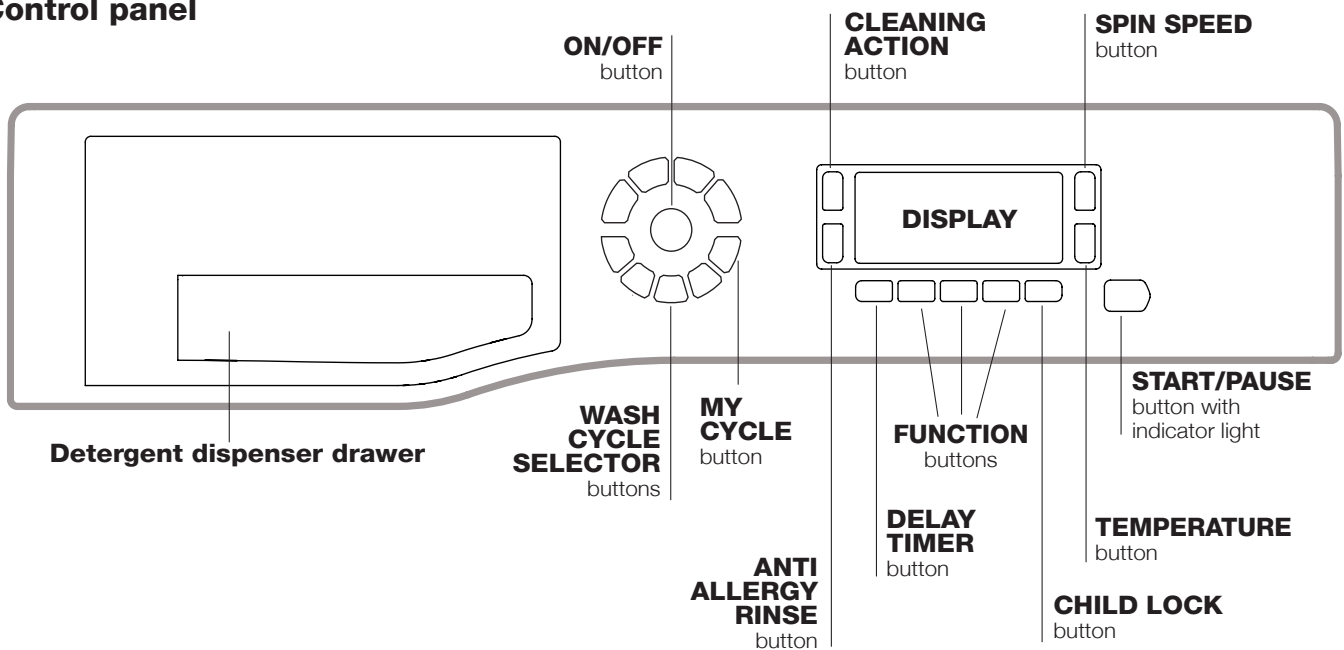
## Disposal

- Disposing of the packaging materials: observe local regulations so that the packaging may be re-used.
- The European Directive 2012/19/EU - WEEE on Waste Electrical and Electronic Equipment, requires that old household electrical appliances must not be disposed of in the normal unsorted municipal waste stream. Old appliances must be collected separately in order to optimise the recovery and recycling of the materials they contain and reduce the impact on human health and the environment. The crossed out "wheeled bin" symbol on the product reminds you of your obligation, that when you dispose of the appliance it must be separately collected. Consumers should contact their local authority or retailer for information concerning the correct disposal of their old appliance.


# Description of the washing machine

GB

## Control panel



**Detergent dispenser drawer:** used to dispense detergents and washing additives (see “Detergents and laundry”).

**ON/OFF** button : press this briefly to switch the machine on or off. The START/PAUSE indicator light, which flashes slowly in a green colour shows that the machine is switched on. To switch off the washing machine during the wash cycle, press and hold the button for approximately 3 seconds; if the button is pressed briefly or accidentally the machine will not switch off. If the machine is switched off during a wash cycle, this wash cycle will be cancelled.


**WASH CYCLE SELECTOR** buttons: used to set the desired wash cycle (see “Table of wash cycles”).


**MY CYCLE** button: press and hold the button to store a cycle with your own set of preferences in the memory of the machine. To recall a previously stored cycle, press the MY CYCLE button.



**FUNCTION** buttons: press the button to select the desired function. The corresponding indicator light on the display will switch on.


**CLEANING ACTION** button : to select the desired wash intensity.

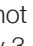
**ANTI ALLERGY RINSE** button : press to select the desired rinse type.

**SPIN** button : press to reduce or completely exclude the spin cycle - the value is indicated on the display.

**TEMPERATURE** button : press to decrease the temperature: the value will be shown on the display.

**CHILD LOCK** button : to activate the control panel lock, press and hold the button for approximately 2 seconds. When the symbol  is illuminated, the control panel is locked (apart from the ON/OFF button). This means it is possible to prevent wash cycles from being modified accidentally, especially where there are children in the home. To deactivate the control panel lock, press and hold the button for approximately 2 seconds.

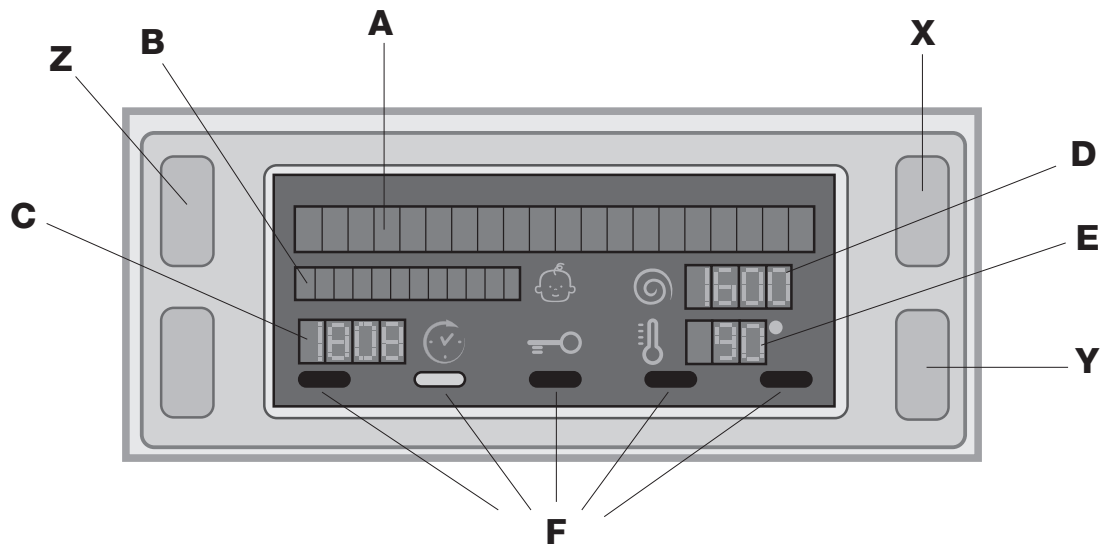
**DELAY TIMER** button : press to set a delayed start time for the selected wash cycle. The delay time will be shown on the display.

**START/PAUSE** button with indicator light: when the green indicator light flashes slowly, press the button to start a wash cycle. Once the cycle has started the indicator light will remain lit in a fixed manner. To pause the wash cycle, press the button again; the indicator light will flash in an orange colour. If the symbol  is not illuminated, the door may be opened (wait approximately 3 minutes). To start the wash cycle from the point at which it was interrupted, press the button again.

### Standby mode

This washing machine, in compliance with new energy saving regulations, is fitted with an automatic standby system which is enabled after about 30 minutes if no activity is detected. Press the ON-OFF button briefly and wait for the machine to start up again.

## Display



The display is useful when programming the machine and provides a great deal of information.

The two upper strings **A** and **B** provide details of the wash cycle selected, the wash cycle phase in progress and all information relating to the progress status of the wash cycle.

String **C** shows the time remaining until the end of the wash cycle in progress and, if a DELAYED START has been set, the time remaining until the start of the selected wash cycle.

String **D** shows the maximum spin speed value (this depends on the selected wash cycle); if the wash cycle does not include a spin cycle, the string remains unused.

String **E** shows the maximum temperature value which may be selected (this depends on the wash cycle used); if the temperature of the wash cycle cannot be modified, the string remains unused.

Indicator lights **F** correspond to the functions and light up when the selected function is compatible with the set wash cycle.

### Door locked symbol

If the symbol is lit, this indicates that the washing machine door is blocked to prevent it from being opened accidentally. To prevent any damage from occurring, wait for the symbol to switch itself off before opening the appliance door (wait approximately 3 minutes).

N.B.: if the DELAYE TIMER function has been activated, the door cannot be opened; pauses the machine by pressing the START/PAUSE button if you wish to open it.

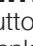
**!** The first time the machine is switched on, you will be asked to select the language and the display will automatically show the language selection menu.





To select the desired language press the **X** and **Y** buttons; to confirm the selection press the **Z** button.

To change the language switch off the machine and press buttons **X**, **Y**, **Z** **simultaneously** until an alarm is heard: the language-selection menu will be displayed again.


# Running a wash cycle

GB




1. **SWITCH THE MACHINE ON.** Press the On/Off button ; the text POWER ON will appear on the display and the START/PAUSE indicator light will flash slowly in a green colour.
2. **LOAD THE LAUNDRY.** Open the porthole door. Load the laundry, making sure you do not exceed the maximum load value indicated in the table of programmes on the following page.
3. **MEASURE OUT THE DETERGENT.** Open the detergent dispenser drawer and pour the detergent into the relevant compartments as described in "Detergents and laundry".
4. **CLOSE THE DOOR.**
5. **SELECT THE WASH CYCLE.** Press one of the WASH CYCLE SELECTOR buttons to select the required wash cycle; the name of the wash cycle will appear on the display. A temperature and spin speed is set for each wash cycle; these may be adjusted. The duration of the cycle will appear on the display.
6. **CUSTOMISE THE WASH CYCLE.** Use the relevant buttons:

 **Modifying the temperature and/or spin speed.** The machine automatically selects the maximum temperature and spin speed set for the selected wash cycle; these values cannot therefore be increased. The temperature can be decreased by pressing the  button, until the cold wash "OFF" setting is reached. The spin speed may be progressively reduced by pressing the  button, until it is completely excluded (the "OFF" setting). If these buttons are pressed again, the maximum values are restored.  
**!** Exception: if the  (60°) (1st press of the button) programme is selected, the temperature can be increased up to a value of 90°C.

## Setting a delayed start.

To set a delayed start for the selected programme, press the corresponding button repeatedly until the required delay period has been reached. When this option is enabled, the  symbol lights up on the display. To remove the delayed start function press the button until the text "OFF" appears on the display.


## Set the desired wash intensity.

Option  makes it possible to optimise washing based on the level of soil in the fabrics and on desired wash cycle intensity.  
Select the wash programme: the cycle will be automatically set to "Normal" as optimised for garments with an average level of soil (this setting is not applicable to the "Wool" cycle, which is automatically set to "Delicate"). For heavily-soiled garments press button  until the "Super Wash" level is reached. This level ensures a high-performance wash due to a larger quantity of water used in the initial phase of the cycle and due to increased drum rotation. It is useful when removing the most stubborn stains.  
It can be used **with** or **without** bleach. If you wish to bleach the items insert the additional compartment (4) into compartment 1. When pouring the bleach, be careful not to exceed the "max" level marked on the central pivot (see figure pag. 10).  
For lightly-soiled garments or a more delicate treatment of the fabrics, press button  until the "Delicate" level

is reached.

The cycle will reduce the drum rotation to ensure washing results are perfect for delicate garments.

## Set the rinse type.

Option  makes it possible to select the desired rinse type for sensitive skin. Press the button once for the "Extra Rinse" level, which makes it possible to select an additional rinse after the standard cycle rinse and remove all traces of detergent. Press the button again for the "Sensitive Skin" level, which makes it possible to select two additional rinses to the standard cycle rinses; it is recommended for very sensitive skin. Press the button for the third time for the "Anti allergy Rinse" level, which makes it possible to select three additional rinses to the standard cycle rinses and remove major allergens such as pollen, mites, cat and dog hair. Press the button again to go back to the "Normal Rinse" rinse type. If the current adjustment can be neither set nor changed, the display will show "Not allowed".

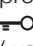

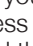
## Modifying the cycle settings.

- Press the button to enable the function; the indicator light corresponding to the button will switch on.
- Press the button again to disable the function; the indicator light will switch off.

**!** If the selected function is not compatible with the programmed wash cycle, the indicator light will flash and the function will not be activated.

**!** If the selected function is not compatible with another function which has been selected previously, the indicator light corresponding to the first function selected will flash and only the second function will be activated; the indicator light corresponding to the enabled function will remain lit.

**!** The functions may affect the recommended load value and/or the duration of the cycle.

7. **START THE PROGRAMME.** Press the START/PAUSE button. The corresponding indicator light will become green, remaining lit in a fixed manner, and the door will be locked (the DOOR LOCKED symbol will be on). During the wash cycle, the name of the phase in progress will appear on the display. To change a wash cycle while it is in progress, pause the washing machine using the START/PAUSE button (the START/PAUSE indicator light will flash slowly in an orange colour); then select the desired cycle and press the START/PAUSE button again. To open the door while a cycle is in progress, press the START/PAUSE button; if the DOOR LOCKED  symbol is switched off the door may be opened (wait approximately 3 minutes). Press the START/PAUSE button again to restart the wash cycle from the point at which it was interrupted.
8. **THE END OF THE WASH CYCLE.** This will be indicated by the text "END OF CYCLE" on the display; when the DOOR LOCKED  symbol switches off the door may be opened (wait approximately 3 minutes). Open the door, unload the laundry and switch off the machine.  
**!** If you wish to cancel a cycle which has already begun, press and hold the  button. The cycle will be stopped and the machine will switch off.



# Wash cycles and functions Hotpoint

ARISTON

GB

**Table of wash cycles**

Wash cycles	Description of the wash cycle	Max. temp. (°C)	Max. speed (rpm)	Detergents				Max. load (kg)	Residual dampness %	Energy consumption kWh	Total water lt	Cycle duration
				Prewash	Wash	Bleach	Fabric softener					
	<b>Anti Stain</b>	40°	1200	●	●	-	●	4	-	-	-	**
	<b>Cotton Standard 60°</b> (1st press of the button) (1): heavily soiled whites and delicate colours.	60° (Max. 90°)	1200	● (3)	●	●	●	7	53	1.07	52.5	195'
	<b>Cotton Standard 40°</b> (2nd press of the button) (2): lightly soiled whites and delicate colours.	40°	1200	-	●	●	●	7	53	0.81	76	185'
	<b>Cotton Standard 20°</b> (3rd press of the button): lightly soiled whites and delicate colours.	20°	1200	-	●	●	●	7	-	-	-	**
	<b>Synthetics</b> (1st press of the button): heavily soiled resistant colours.	60°	1000	●	●	●	●	3	44	0.78	33	120'
	<b>Synthetics</b> (1st press of the button) (4): lightly soiled resistant colours.	40°	1000	●	●	●	●	3	-	-	-	**
	<b>Synthetics</b> (2nd press of the button): lightly soiled delicate colours.	40°	1000	●	●	●	●	3	-	-	-	**
	<b>Fast Wash 60'</b> (1st press of the button): to refresh normal soiled garments quickly (not suitable for wool, silk and clothes which require washing by hand).	60°	1200	-	●	-	●	3.5	53	0.68	30	60'
	<b>Fast Wash 30'</b> (2nd press of the button): to refresh lightly soiled garments quickly (not suitable for wool, silk and clothes which require washing by hand).	30°	800	-	●	-	●	3	70	0.17	31	30'
<b>M</b>	<b>My Cycle:</b> allows for any wash cycle to be stored.											
	<b>Bed&amp;Bath:</b> washes bathroom laundry and bedlinen.	60°	1200	●	●	-	●	7	-	-	-	**
	<b>Wool:</b> for wool, cashmere, etc.	40°	800	-	●	-	●	1.5	-	-	-	**
	<b>Delicates</b>	30°	0	-	●	-	●	1	-	-	-	**
	<b>Spin</b> (1st press of the button)	-	1200	-	-	-	-	7	-	-	-	**
	<b>Rinse</b> (2nd press of the button)	-	1200	-	-	-	●	7	-	-	-	**
	<b>Pump out</b> (3rd press of the button)	-	0	-	-	-	-	7	-	-	-	**

\*\* The duration of the wash cycles can be checked on the display.

The length of cycle shown on the display or in this booklet is an estimation only and is calculated assuming standard working conditions. The actual duration can vary according to factors such as water temperature and pressure, the amount of detergent used, the amount and type of load inserted, load balancing and any wash options selected.

1) Test wash cycle in compliance with regulation 1061/2010: set wash cycle 60°C (1st press of the button).

This cycle is designed for cotton loads with a normal soil level and is the most efficient in terms of both electricity and water consumption; it should be used for garments which can be washed at 60°C. The actual washing temperature may differ from the indicated value.

2) Test wash cycle in compliance with regulation 1061/2010: set wash cycle 40°C (2nd press of the button).

This cycle is designed for cotton loads with a normal soil level and is the most efficient in terms of both electricity and water consumption; it should be used for garments which can be washed at 40°C. The actual washing temperature may differ from the indicated value.

3) At 60 °C the "Prewash" function cannot be selected.

For all Test Institutes:

2) Long wash cycle for cottons: set wash cycle 40°C (2nd press of the button).

4) Long wash cycle for synthetics: set wash cycle 60°C (1st press of the button); temperature of 40°C (press TEMPERATURE button).

## Wash functions

- If the selected function is not compatible with the programmed wash cycle, the indicator light will flash and the function will not be activated.

- If the selected function is not compatible with another function which has been selected previously, the indicator light corresponding to the first function selected will flash and only the second function will be activated; the indicator light corresponding to the enabled function will remain lit.

### Prewash

If this function is selected, the pre-wash cycle will run; this is useful for removing stubborn stains.

**N.B.:** put the detergent in the relevant compartment.

### Easy Iron

By selecting this function, the wash and spin cycles will be modified in order to reduce the formation of creases.

At the end of the cycle the washing machine will perform slow rotations of the drum; the "Easy Iron" and START/PAUSE indicator lights will flash (orange) and the text "END OF CYCLE" will appear on the display. To end the cycle, press the START/PAUSE button or the "Easy Iron" button.

### Eco Wash

The Eco Wash function saves energy by not heating the water used to wash your laundry – an advantage both to the environment and to your energy bill. Instead, intensified wash action and water optimisation ensure great wash results in the same average time of a standard cycle.

For the best washing results we recommend the usage of a liquid detergent.

# Detergents and laundry

GB

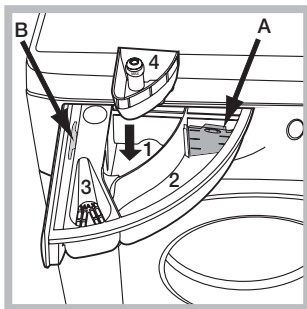
## Detergent dispenser drawer

Good washing results also depend on the correct dose of detergent: adding too much detergent will not necessarily result in a more efficient wash, and may in fact cause a build up on the inside of your appliance and contribute to environmental pollution.

! Use powder detergent for white cotton garments, for pre-washing, and for washing at temperatures over 60°C.

! Follow the instructions given on the detergent packaging.

! Do not use hand washing detergents because these create too much foam.



Open the detergent dispenser drawer and pour in the detergent or washing additive, as follows.

### compartment 1: Pre-wash detergent (powder)

Before pouring in the detergent, make sure that extra compartment 4 has been removed.

### compartment 2: Detergent for the wash cycle (powder or liquid)

If liquid detergent is used, it is recommended that the removable plastic partition A (supplied) be used for proper dosage.

If powder detergent is used, place the partition into slot B.

### compartment 3: Additives (fabric softeners, etc.)

The fabric softener should not overflow the grid.

### extra compartment 4: Bleach


## Preparing the laundry


- Divide the laundry according to:
  - the type of fabric/the symbol on the label
  - the colours: separate coloured garments from whites.
- Empty all garment pockets and check the buttons.
- Do not exceed the listed values, which refer to the weight of the laundry when dry: see "Table of wash cycles".


### How much does your laundry weigh?

- 1 sheet 400-500 g
- 1 pillow case 150-200 g
- 1 tablecloth 400-500 g
- 1 bathrobe 900-1200 g
- 1 towel 150-250 g

## Special wash cycles

**Anti Stain** : this programme is suitable to heavily-soiled garments with resistant colours. It ensures a washing class that is higher than the standard class (A class). When running the programme, do not mix garments of different colours. We recommend the use of powder detergent. Pre-treatment with special additives is recommended if there are obstinate stains.

**Cotton Standard 20°** : ideal for lightly soiled cotton loads. The effective performance levels achieved at cold temperatures, which are comparable to washing at 40°, are guaranteed by a mechanical action which operates at varying speed, with repeated and frequent peaks.


**Bed&Bath:** use programme  to wash bed linen and towels in one single cycle: it optimises softener performance and helps you save time and energy. We recommend the use of powder detergent.



### Wool - Woolmark Apparel Care - Blue:

the wool wash cycle of this machine has been approved by The Woolmark Company for the washing of wool garments labelled as "hand wash" provided that the products are washed according to the instructions on the garment label and those issued by the manufacturer of this washing machine.



*In UK, Eire, Hong Kong and India the Woolmark trade mark is a Certification trade mark.*

**Delicates:** use programme  to wash very delicate garments with decorative features, such as diamantes and sequins.

To wash **silk** garments and **curtains** select the cycle  and set the "Delicate" level from option . We recommend turning the garments inside out before washing and placing small items into the special bag for washing delicates. Use liquid detergent on delicate garments for best results.

## Load balancing system

Before every spin cycle, to avoid excessive vibrations and to distribute the load in a uniform manner, the drum rotates continuously at a speed which is slightly greater than the washing rotation speed. If, after several attempts, the load is not balanced correctly, the machine spins at a reduced spin speed. If the load is excessively unbalanced, the washing machine performs the distribution process instead of spinning. To encourage improved load distribution and balance, we recommend small and large garments are mixed in the load.

Your washing machine could fail to work. Before contacting the Technical Assistance Centre (see "Assistance"), make sure that the problem cannot be solved easily using the following list.

## Problem:

## Possible causes / Solutions:

**The washing machine does not switch on.**

- The appliance is not plugged into the socket fully, or is not making contact.
- There is no power in the house.

**The wash cycle does not start.**

- The washing machine door is not closed properly.
- The ON/OFF button has not been pressed.
- The START/PAUSE button has not been pressed.
- The water tap has not been opened.
- A delayed start has been set (see "Running a wash cycle").

**The washing machine does not take in water (the text "NO WATER, CHECK SUPPLY" appears on the display).**

- The water inlet hose is not connected to the tap.
- The hose is bent.
- The water tap has not been opened.
- There is no water supply in the house.
- The pressure is too low.
- The START/PAUSE button has not been pressed.

**The washing machine continuously takes in and drains water.**

- The drain hose is not fitted at a height between 65 and 100 cm from the floor (see "Installation").
- The free end of the hose is under water (see "Installation").
- The wall drainage system is not fitted with a breather pipe.

If the problem persists even after these checks, turn off the water tap, switch the appliance off and contact the Assistance Service. If the dwelling is on one of the upper floors of a building, there may be problems relating to water drainage, causing the washing machine to fill with water and drain continuously. Special anti-draining valves are available in shops and help to avoid this inconvenience.

**The washing machine does not drain or spin.**

- The wash cycle does not include draining: some wash cycles require the drain phase to be started manually (see "Wash cycles and functions").
- The EASY IRON function has been activated: To complete the wash cycle, press the START/PAUSE button (see "Wash cycles and functions").
- The drain hose is bent (see "Installation").
- The drainage duct is clogged.

**The washing machine vibrates a lot during the spin cycle.**

- The drum was not unlocked correctly during installation (see "Installation").
- The washing machine is not level (see "Installation").
- The washing machine is trapped between cabinets and walls (see "Installation").

**The washing machine leaks.**

- The water inlet hose is not screwed on properly (see "Installation").
- The detergent dispenser drawer is blocked (for cleaning instructions, see "Care and maintenance").
- The drain hose is not fixed properly (see "Installation").

**The machine is locked and the display flashes, indicating an error code (e.g. F-01, F-..).**

- Switch off the machine and unplug it, wait for approximately 1 minute and then switch it back on again.  
If the problem persists, contact the Technical Assistance Service.

**There is too much foam.**

- The detergent is not suitable for machine washing (it should display the text "for washing machines" or "hand and machine wash", or the like).
- Too much detergent was used.

# Service

GB

## Before calling for Assistance:

- Check whether you can solve the problem alone (see "Troubleshooting");
- Restart the programme to check whether the problem has been solved;
- If this is not the case, contact an authorised Technical Assistance Centre using the telephone number provided on the guarantee certificate.

! Always request the assistance of authorised technicians.

## Have the following information to hand:

- the type of problem;
- the appliance model (Mod.);
- the serial number (S/N).

This information can be found on the data plate applied to the rear of the washing machine, and can also be found on the front of the appliance by opening the door.

COMMISSION DELEGATED REGULATION (EU) No 1061/2010	
Brand	HOTPOINT/ARISTON
Model	WMD 722B EU.M
Rated capacity in kg of cotton	7
Energy efficiency class on a scale from A+++ (low consumption) to G (high consumption)	A++
Energy consumption per year in kWh <sup>1)</sup>	197
Energy consumption of the standard 60 °C cotton programme at full load in kWh <sup>2)</sup>	1.079
Energy consumption of the standard 60 °C cotton programme at partial load in kWh <sup>2)</sup>	0.726
Energy consumption of the standard 40 °C cotton programme at partial load in kWh <sup>2)</sup>	0.711
Power consumption of the off-mode in W	0.5
Power consumption of the left-on mode in W	8
Water consumption per year in litres <sup>3)</sup>	9000
Spin-drying efficacy class on a scale from G (minimum efficacy) to A (maximum efficacy)	B
Maximum spin speed attained <sup>4)</sup>	1200
Remaining moisture content <sup>5)</sup>	53.0%
Programme time of the "standard 60 °C cotton" at full load in minutes	195
Programme time of the "standard 60 °C cotton" at partial load in minutes	155
Programme time of the "standard 40°C cotton" at partial load in minutes	150
Duration of the left-on mode in minutes	30
Noise in dB(A) re 1 pW washing <sup>6)</sup>	62
Noise in dB(A) re 1 pW spinning <sup>6)</sup>	83
Built-in model	

<sup>1)</sup> The "standard 60°C cotton" at full and partial load and the "standard 40°C cotton" at partial load are the standard washing programmes to which the information in the label and the fiche relates. Standard 60°C cotton and standard 40°C cotton are suitable to clean normally soiled cotton laundry and are the most efficient programmes in terms of combined energy and water consumption. Partial load is half the rated load.

<sup>2)</sup> Based on 220 standard washing cycles for cotton programmes at 60°C and 40°C at full and partial load, and the consumption of the low-power modes. Actual energy consumption will depend on how the appliance is used.

<sup>3)</sup> Based on 220 standard washing cycles for cotton programmes at 60°C and 40°C at full and partial load. Actual water consumption will depend on how the appliance is used.

<sup>4)</sup> For the standard 60 °C at full and partial load or the 40°C at partial whichever is lower.

<sup>5)</sup> Attained for 60 °C cotton at full and partial load or the 40°C at partial whichever is higher.

<sup>6)</sup> Based on washing and spinning phases for the standard 60°C cotton programme at full load.

PL

Polski

WMD 722

## Spis treści

### Instalacja, 14-15

Rozpakowanie i wypoziomowanie  
Podłączenia hydrauliczne i elektryczne  
Pierwszy cykl prania  
Dane techniczne

### Utrzymanie i konserwacja, 16

Odłączenie wody i prądu elektrycznego  
Czyszczenie pralki  
Czyszczenie szufladki na środki piorące  
Konserwacja okrągłych drzwiczek i bębna  
Czyszczenie pompy  
Kontrola przewodu doprowadzającego wodę

### Zalecenia i środki ostrożności, 17

Ogólne zasady bezpieczeństwa  
Utylizacja

### Opis pralki, 18-19

Panel sterowania  
Wyświetlacz

### W jaki sposób wykonać cykl prania, 20

### Programy i funkcje, 21

Tabela programów  
Funkcje prania

### Środki piorące i bielizna, 22

Szufladka na środki piorące  
Przygotowanie bielizny  
Programy specjalne  
System równoważenia ładunku

### Nieprawidłowości w działaniu i sposoby ich usuwania, 23

### Serwis Techniczny, 24

# Instalacja

PL

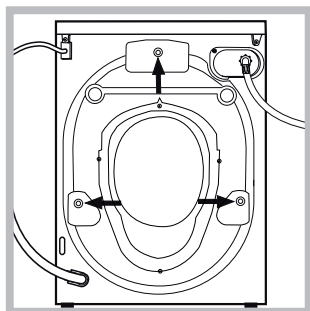
! Należy zachować niniejszą książeczkę, aby móc z niej skorzystać w każdej chwili. W przypadku sprzedaży, odstąpienia lub przeniesienia pralki w inne miejsce należy zadbać o przekazanie instrukcji wraz z nią, aby nowy właściciel mógł się zapoznać z działaniem urządzenia i z dotyczącymi go ostrzeżeniami.

! Należy uważnie przeczytać instrukcję obsługi: zawiera ona ważne informacje dotyczące instalacji oraz właściwego i bezpiecznego użytkowania pralki.

## Rozpakowanie i wypoziomowanie

### Rozpakowanie

1. Rozpakować pralkę.
2. Sprawdzić, czy nie doznała ona uszkodzeń w czasie transportu. W przypadku stwierdzenia uszkodzeń, nie podłączać pralki i skontaktować się ze sprzedawcą.



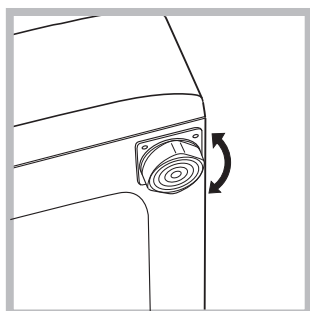
3. Odkręcić 3 śruby zabezpieczające urządzenie na czas transportu oraz zdjąć gumowy element z podkładką, znajdujący się w tylnej części pralki (patrz rysunek).

4. Zatkać otwory przy pomocy plastikowych zaślepek, znajdujących się w wyposażeniu urządzenia.

5. Zachować wszystkie części: w razie konieczności przewiezienia pralki w inne miejsce, powinny one zostać ponownie zamontowane.

! Części opakowania nie są zabawkami dla dzieci.

### Poziomowanie



1. Ustawić pralkę na płaskiej i twardej podłodze, nie opierając jej o ściany, meble itp.

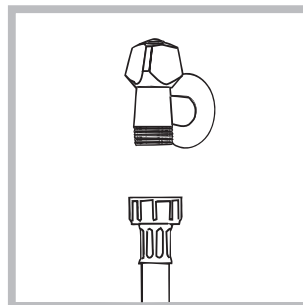
2. Jeśli podłoga nie jest idealnie pozioma, należy skompensować nierówności,

odkręcając lub dokręcając przednie nóżki (patrz rysunek); kąt nachylenia, zmierzony na górnym blacie pralki, nie powinien przekraczać 2°.

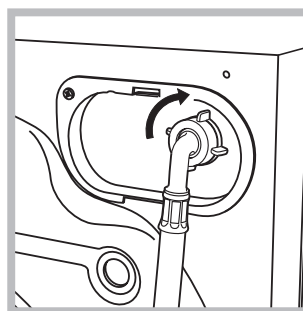
Staranne wypoziomowanie pralki zapewnia jej stabilność i zapobiega wibracjom, hałasowi oraz przesuwaniu się urządzenia w czasie pracy. W przypadku ustawienia na dywanie lub wykładzinie dywanowej, należy tak wyregulować nóżki, aby pod pralką pozostawała wolna przestrzeń niezbędna dla wentylacji.

## Podłączenia hydrauliczne i elektryczne

### Podłączenie przewodu doprowadzającego wodę



1. Podłączyć przewód zasilający poprzez przykręcenie go do zaworu zimnej wody z końcówką gwintowaną (patrz rysunek): Przed podłączeniem spuszczać wodę do momentu, aż stanie się ona całkowicie przezroczysta.



2. Podłączyć do urządzenia przewód doprowadzający wodę, przykręcając go do odpowiedniego przyłącza wody, znajdującego się w tylnej części pralki, z prawej strony u góry (patrz rysunek).

3. Zwrócić uwagę, aby przewód nie był pozaginany ani przygnieciony.

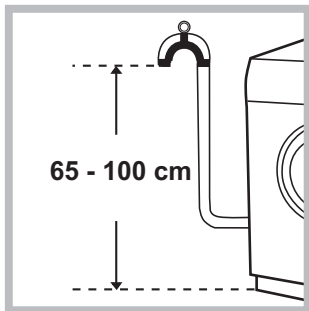
! Ciśnienie wody w kurku powinno mieścić się w przedziale podanym w tabeli Danych technicznych (patrz strona obok).

! Jeśli długość przewodu doprowadzającego wodę jest niewystarczająca, należy zwrócić się do specjalistycznego sklepu lub do autoryzowanego technika.

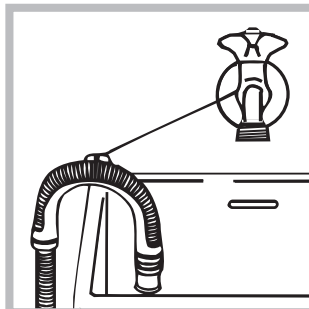
! Nigdy nie instalować przewodów, które były już używane.

! Stosować przewody znajdujące się w wyposażeniu urządzenia.

## Podłączenie przewodu odpływowego



Podłączyć przewód odpływowy, nie zginając go, do rury ściekowej lub do otworu odpływowego w ścianie, które powinny się znajdować na wysokości od 65 do 100 cm od podłogi; albo oprzeć go na brzegu zlewu lub wanny, przymocowując do kranu prowadnik, znajdujący się w wyposażeniu pralki (patrz rysunek). Wolny koniec przewodu odpływowego nie powinien być zanurzony w wodzie.



! Odradza się używanie rur przedłużających; jednak jeśli jest to konieczne, przedłużacz powinien mieć taki sam przekrój, jak oryginalna rura, a jego długość nie powinna przekraczać 150 cm.

## Podłączenie elektryczne

Przed włożeniem wtyczki do gniazdka elektrycznego należy się upewnić, czy:

- gniazdko posiada uziemienie i jest zgodne z obowiązującymi przepisami;
- gniazdko jest w stanie wytrzymać maksymalne obciążenie mocy urządzenia, wskazane w tabeli Danych technicznych (patrz obok);
- napięcie zasilania mieści się w wartościach wskazanych w tabeli Danych technicznych (patrz obok);
- gniazdko pasuje do wtyczki pralki. W przeciwnym razie należy wymienić gniazdko lub wtyczkę.

! Nie należy instalować pralki na otwartym powietrzu, nawet w osłoniętym miejscu, gdyż wystawienie urządzenia na działanie deszczu i burz jest bardzo niebezpieczne.

! Po zainstalowaniu pralki gniazdko elektryczne powinno być łatwo dostępne.

! Nie używać przedłużaczy ani rozgałęźników.

! Kabel nie powinien być pozginany ani przegniewiony.

! Przewód zasilania elektrycznego może być wymieniany wyłącznie przez autoryzowanych techników.

Uwaga! Producent nie ponosi żadnej odpowiedzialności, jeśli powyższe zasady nie będą przestrzegane.

## Pierwszy cykl prania

Po zainstalowaniu pralki, przed przystąpieniem do jej użytkowania, należy wykonać jeden cykl prania ze środkiem piorącym, ale bez wsadu, nastawiając program "OPCJA CZYSZCZENIA PRALKI" (patrz "Czyszczenie pralki").

Dane techniczne	
<b>Model</b>	WMD 722
<b>Wymiary</b>	szerokość cm 59,5 wysokość cm 85 głębokość cm 52,2
<b>Pojemność</b>	od 1 do 7 kg
<b>Dane prądu elektrycznego</b>	dane techniczne umieszczone są na tabliczce na maszynie
<b>Dane sieci wodociągowej</b>	Maksymalne ciśnienie 1 MPa (10 barów) ciśnienie minimalne 0,05 MPa (0,5 barów) pojemność bębna 46 litrów
<b>Szybkość wirowania</b>	do 1200 obrotów na minutę
<b>Programy testowe zgodnie z regulaminem 1061/2010 i 1015/2010</b>	Program  (60°) (1. naciśnięcie przycisku); Bawełna Standardowy 60°C. Program  (40°) (2. naciśnięcie przycisku); Bawełna Standardowy 40°C.
  	Urządzenie to zostało wyprodukowane zgodnie z następującymi przepisami CE: - 2004/108/CE (o Kompatybilności Elektromagnetycznej) - 2012/19/EU (WEEE) - 2006/95/CE (o Niskim Napięciu)

# Utrzymanie i konserwacja

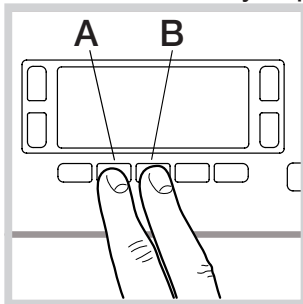
PL

## Odlączenie wody i prądu elektrycznego

- Zamknąć kurek dopływu wody po każdym praniu. W ten sposób zmniejsza się zużycie instalacji hydraulicznej pralki oraz eliminuje się niebezpieczeństwo wycieków.
- Przed przystąpieniem do czyszczenia pralki oraz do czynności konserwacyjnych wyjąć wtyczkę z gniazdka.

## Czyszczenie pralki

- Obudowę zewnętrzną i gumowe części pralki można myć ściereczką zmoczoną w letniej wodzie z mydłem. Nie stosować rozpuszczalników ani ściernych środków czyszczących.
- Pralka jest wyposażona w program "OPCJA CZYSZCZENIA PRALKI" części wewnętrznych, który należy przeprowadzać **nie wprowadzając niczego do kosza pralki**. Środek piorący (w ilości równej 10% ilości zalecanej dla lekko zabrudzonej odzieży) lub dodatki przeznaczone specjalnie do czyszczenia pralek, mogą zostać użyte jako środki pomocnicze podczas programu czyszczenia. Zaleca się przeprowadzanie programu czyszczenia co 40 cykli prania.

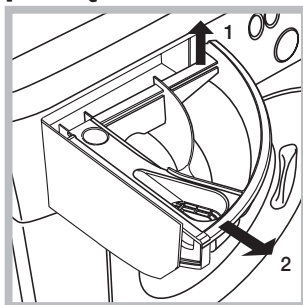


W celu uruchomienia programu, należy nacisnąć przycisk **A** przez 5 sek. (zob. rysunek).

Program rozpocznie się automatycznie i będzie trwał około 70 minut. W celu zakończenia cyklu,

należy nacisnąć przycisk START/PAUSE.

## Czyszczenie szufladki na środki piorące



Wysunąć szufladkę, unosząc ją lekko ku górze i wyciągając na zewnątrz (patrz rysunek).

Wypłukać szufladkę pod bieżącą wodą. Czynność tę należy wykonywać stosunkowo często.

## Konserwacja okrągłych drzwiczek i bębna

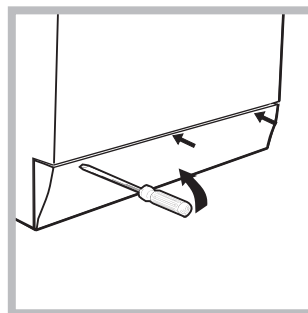
- Drzwiczki pralki należy zawsze pozostawiać uchylone, aby zapobiec tworzeniu się nieprzyjemnych zapachów.

## Czyszczenie pompy

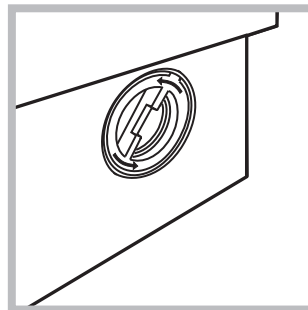
Pralka wyposażona jest w pompę samoczyszczącą, która nie wymaga zabiegów konserwacyjnych. Może się jednak zdarzyć, że drobne przedmioty (monety, guziki) wpadną do komory wstępnej zabezpieczającej pompę, która znajduje się w jej dolnej części.

! Należy się upewnić, że cykl prania został zakończony i wyjąć wtyczkę z gniazdka.

Aby dostać się do komory wstępnej:



1. zdjąć panel pokrywy z przedniej strony pralki przy pomocy śrubokrętu (patrz rysunek);



2. odkręcić pokrywę, obracając ją w kierunku przeciwnym do ruchu wskazówek zegara (patrz rysunek): wypłynięcie niewielkiej ilości wody jest normalnym zjawiskiem;

3. dokładnie wyczyścić wnętrze;
4. ponownie przykręcić pokrywę;
5. ponownie założyć panel upewniwszy się, przed dociśnięciem go do maszyny, czy zatrzaski zostały umieszczone w odpowiednich otworach.

## Kontrola przewodu doprowadzającego wodę

Przynajmniej raz w roku należy sprawdzić przewód doprowadzający wodę. Jeśli widoczne są na nim pęknięcia i rysy, należy go wymienić: w trakcie prania duże ciśnienie może bowiem spowodować jego nagłe zerwanie.

! Nigdy nie instalować już używanych przewodów.



! Pralka została zaprojektowana i wyprodukowana zgodnie z międzynarodowymi normami bezpieczeństwa. Niniejsze ostrzeżenia zostały tu zamieszczone ze względów bezpieczeństwa i należy je uważnie przeczytać.

## Ogólne zasady bezpieczeństwa

- Urządzenie to zostało zaprojektowane wyłącznie do użytkowania w warunkach domowych.
- Z niniejszego urządzenia mogą korzystać dzieci powyżej 8 roku życia i osoby o ograniczonych zdolnościach fizycznych, zmysłowych bądź umysłowych, jak również osoby nieposiadające doświadczenia lub znajomości urządzenia, jeśli znajdują się one pod nadzorem innych osób lub jeśli zostały pouczone na temat bezpiecznego sposobu użycia urządzenia oraz zdają sobie sprawę ze związanych z nim zagrożeń. Dzieci nie powinny bawić się urządzeniem. Prace związane z czyszczeniem i konserwacją nie mogą być wykonywane przez dzieci, jeśli nie są one nadzorowane.
- Nie dotykać pralki stojąc przy niej boso lub mając mokre lub wilgotne ręce albo stopy.
- Nie wyjmować wtyczki z gniazdka ciągnąc za kabel, należy trzymać za wtyczkę.
- W trakcie pracy maszyny nie otwierać szufladki na środki piorące.
- Nie dotykać odprowadzanej wody, gdyż może ona być bardzo gorąca.
- W żadnym wypadku nie otwierać na siłę drzwiczek pralki: grozi to uszkodzeniem mechanizmu zabezpieczającego drzwiczki przed przypadkowym otwarciem.
- W razie wystąpienia usterki nie należy w żadnym wypadku ingerować w wewnętrzne części pralki z zamiarem samodzielnego dokonania naprawy.
- Zawsze uważać, aby dzieci nie zbliżyły się do pracującej pralki.
- W czasie prania drzwiczki pralki nagrzewają się.
- Jeśli trzeba przenieść pralkę w inne miejsce, należy to robić bardzo ostrożnie, w dwie lub trzy osoby. Nigdy nie należy samodzielnie przenosić urządzenia, gdyż jest ono bardzo ciężkie.
- Przed włożeniem bielizny sprawdzić, czy bęben jest pusty.

## Utylizacja

- Utylizacja opakowania: stosować się do lokalnych przepisów, dzięki temu opakowanie będzie mogło zostać ponownie wykorzystane.
- Dyrektywa europejska 2012/19/EU - WEEE dotycząca odpadów urządzeń elektrycznych i elektronicznych przewiduje, że elektryczne urządzenia gospodarstwa domowego nie powinny być utylizowane w normalnym ciągu utylizacji stałych odpadów miejskich. Stare urządzenia powinny być zbierane oddzielnie,

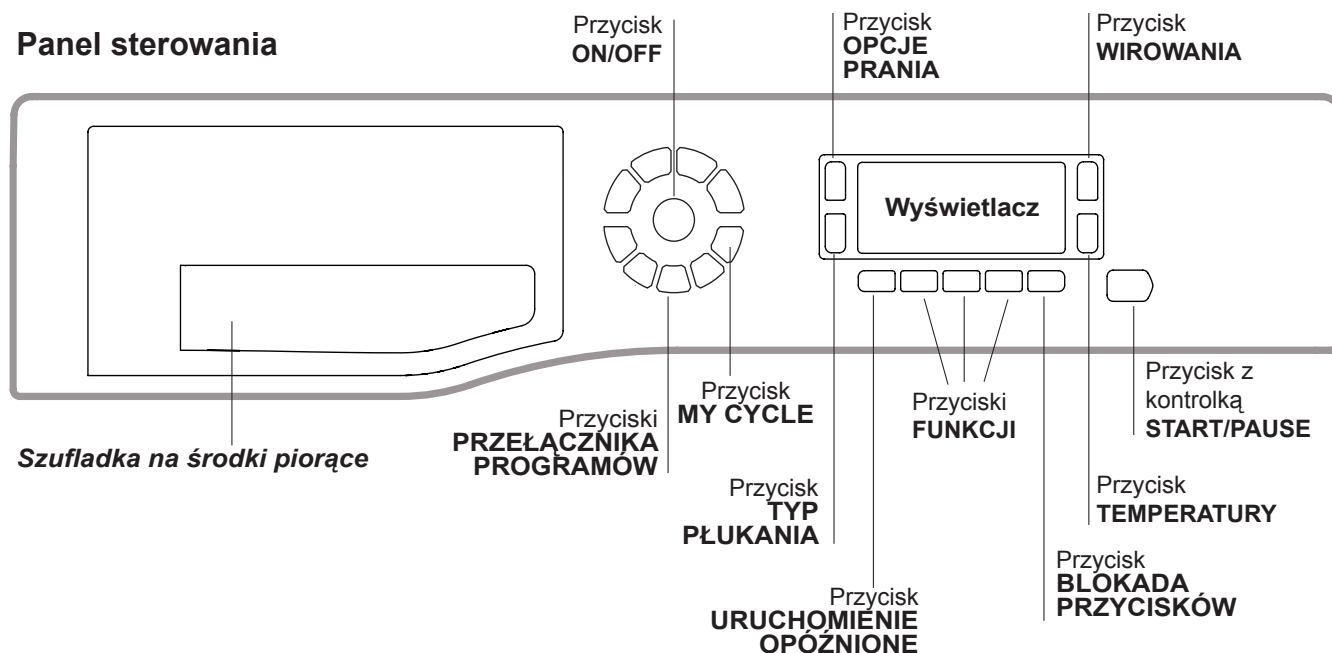
aby zoptymalizować stopień odzysku i recykulacji materiałów, z których są one zbudowane, oraz aby zapobiec potencjalnym szkodom dla zdrowia i środowiska. Symbol przekreślonego kosza jest umieszczony na wszystkich produktach w celu przypomnienia o obowiązku ich segregacji.

Właściciele urządzeń gospodarstwa domowego mogą uzyskać dodatkowe informacje dotyczące ich prawidłowej utylizacji, zwracając się do odpowiednich służb publicznych lub do sprzedawców tych urządzeń.


# Opis pralki

PL

## Panel sterowania



**Szufladka na środki piorące:** do dozowania środków piorących i dodatków (patrz „Środki piorące i bielizna”).

Przycisk **ON/OFF** : nacisnąć krótko przycisk w celu włączenia lub wyłączenia maszyny. Kontrolka **START/PAUSE**, która pulsuje powoli w kolorze zielonym wskazuje, że maszyna jest włączona. W celu wyłączenia pralki podczas prania konieczne jest dłuższe przytrzymanie naciśniętego przycisku, przez około 3 sek.; krótkie lub przypadkowe naciśnięcie nie wystarczy do wyłączenia maszyny. Wyłączenie maszyny podczas trwającego prania anuluje program prania.


Przyciski **PRZEŁĄCZNIKA PROGRAMÓW**: w celu wybrania potrzebnego programu (patrz „Tabela programów”).

Przycisk **MY CYCLE**: przytrzymać naciśnięty przycisk w celu zapisania w pamięci cyklu oraz własnych preferowanych personalizacji. W celu przywołania cyklu zapisanego uprzednio należy nacisnąć przycisk **MY CYCLE**.

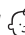

Przyciski **FUNKCJI**: nacisnąć przycisk w celu wybrania potrzebnej funkcji. Na wyświetlaczu zaświeci się odpowiednia kontrolka.


Przycisk **OPCJE PRANIA** : nacisnąć w celu wybraniażądanego stopnia intensywności prania.


Przycisk **TYP PŁUKANIA** : nacisnąć w celu wybraniażądanego rodzaju płukania.

Przycisk **WIROWANIA** : nacisnąć w celu zmniejszenia lub całkowitego wyłączenia wirówki – wartość ukazana zostanie na wyświetlaczu.

Przycisk **TEMPERATURY** : nacisnąć w celu zmniejszenia temperatury: wartość zostaje wyświetlona na ekranie.

Przycisk **BLOKADA PRZYCISKÓW** : w celu uruchomienia lub wyłączenia blokady panelu sterowania należy przytrzymać naciśnięty przycisk przez około 2 sekundy. Podświetlony symbol  wskazuje, że panel sterowania został zablokowany (z wyjątkiem przycisk **ON/OFF**). W ten sposób uniemożliwia się dokonywanie przypadkowych zmian w programach, zwłaszcza, jeśli w domu obecne są dzieci. W celu wyłączenia blokady panelu sterowania należy przytrzymać naciśnięty przycisk przez około 2 sekundy.

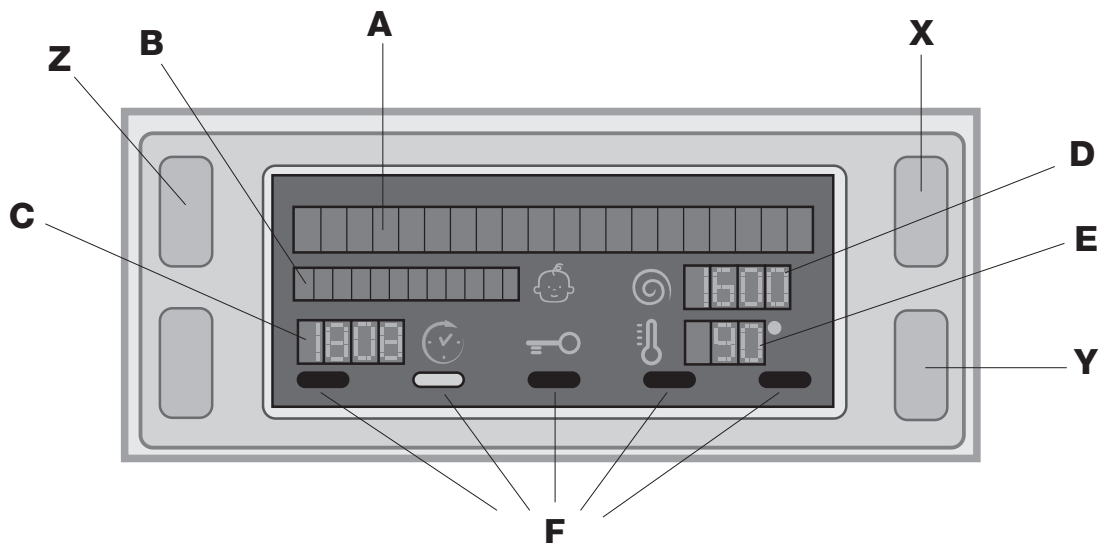
Przycisk **URUCHOMIENIE OPÓZNIONE** : nacisnąć w celu ustawienia opóźnionego uruchomienia wybranego programu. Opóźnienie wyświetlone zostanie na ekranie.

Przycisk z kontrolką **START/PAUSE**: kiedy zielona kontrolka pulsuje powoli, nacisnąć przycisk w celu uruchomienia prania. Po uruchomieniu cyklu kontrolka świeci w sposób ciągły. W celu wybrania pauzy w praniu należy nacisnąć ponownie przycisk, kontrolka zacznie pulsować w kolorze pomarańczowym. Jeśli symbol  nie świeci się, można otworzyć drzwiczki (odczekać około 3 minuty). W celu ponownego uruchomienia prania od miejsca, w którym zostało przerwane, należy ponownie nacisnąć przycisk.

### Funkcja stand by

Pralka ta, w myśl nowych norm europejskich związanych z oszczędnością elektryczną, posiada system auto wyłączenia (stand by), który włącza się po 30 minutach nie użytkowania. Ponownie lekko wcisnąć przycisk **ON/OFF** i poczekać, aż pralka ponownie włączy się.

## Wyświetlacz



Wyświetlacz potrzebny jest w celu programowania maszyny i dostarcza wielu informacji.

W obu wierszach górnych **A** i **B** wyświetlane są: wybrany program prania, faza prania bieżącego oraz wszelkie wskazania związane ze stanem zaawansowania programu.

W wierszu **C** wyświetlany jest czas pozostały do końca cyklu prania bieżącego oraz, jeśli zaprogramowano URUCHOMIENIE OPÓŹNIONE, czas brakujący do uruchomienia wybranego programu.

W wierszu **D** wyświetlana jest maksymalna wartość szybkości wirówki, jaką maszyna może uzyskać w przypadku wybranego programu; jeśli program nie przewiduje wirowania wiersz pozostaje wygaszony.

W wierszu **E** wyświetlana jest maksymalna wartość temperatury, jaką można wybrać w przypadku wybranego programu, jeśli program nie przewiduje ustawiania temperatury, wiersz pozostaje wygaszony.

Kontrolki **F** związane są z funkcjami i włączają się, kiedy wybrana funkcja zgodna jest z wybranym programem.

#### Symbol **zablokowanych drzwiczek**

Zapalony symbol oznacza, że okrągłe drzwiczki pralki są zablokowane, aby zapobiec przypadkowemu ich otwarciu. Aby uniknąć uszkodzenia pralki, należy odczekać, aż symbol ten zgaśnie, zanim przystąpi się do otwierania drzwiczek pralki (odczekać około 3 minuty).

**Uwaga:** jeśli aktywna jest funkcja URUCHOMIENIE OPÓŹNIONE drzwiczek nie można otworzyć. W celu ich otwarcia należy ustawić maszynę w pauzie poprzez naciśnięcie przycisku START/PAUSE.


**!** Podczas pierwszego uruchomienia wymagane będzie dokonanie wyboru języka a wyświetlacz ustawi się automatycznie na menu wyboru języka.

W celu wybraniażądanego języka nacisnąć przyciski **X** i **Y**, dla potwierdzenia wyboru nacisnąć przycisk **Z**.

Aby zmienić język, należy wyłączyć urządzenie, nacisnąć równocześnie przyciski **X**, **Y**, **Z**, aż do usłyszenia sygnału dźwiękowego, wyświetli się menu wyboru języka.

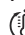



# W jaki sposób wykonać cykl prania


PL

- WŁĄCZENIE MASZYNY.** Nacisnąć przycisk , na wyświetlaczu pojawi się napis WŁĄCZENIE, kontrolka START/PAUSE zacznie powoli pulsować w kolorze zielonym.
- WKŁADANIE BIELIZNY.** Otworzyć szklane drzwiczki. Włożyć bieliznę uważając, aby nie przekroczyć wielkości wsadu wskazanej w tabeli programów na następnej stronie.
- DOZOWANIE ŚRODKA PIORĄCEGO.** Wysunąć szufladkę i wsypać detergent do odpowiednich komór w sposób wyjaśniony w „Środki piorące i bielizna”.
- ZAMKNAĆ DRZWICZKI.**
- WYBÓR PROGRAMU.** Nacisnąć jeden z przycisków PRZEŁĄCZNIKA PROGRAMÓW w celu wybrania potrzebnego programu, nazwa programu pojawi się na wyświetlaczu; z nim powiązana jest temperatura oraz prędkość wirowania, które mogą zostać zmienione. Na wyświetlaczu pojawi się czas trwania cyklu.

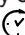
## 6. PERSONALIZACJA CYKLU PRANIA.

Przy pomocy odpowiednich przycisków:


  **Zmienić temperaturę i/lub wirówkę.** Maszyna wybierze automatycznie temperaturę oraz wirówkę maksymalne przewidziane dla danego programu, dlatego nie mogą one być zwiększane. Poprzez naciskanie przycisku  stopniowo zmniejsza się temperaturę aż do prania w zimnej wodzie „OFF”. Naciskając przycisk  stopniowo zmniejsza się wirówkę aż do jej wyłączenia „OFF”. Dodatkowe naciśnięcie przycisków przywróci maksymalne wartości przewidywane.

! Wyjątek: wybierając program  60° (1. naciśnięcie przycisku) temperaturę można podnieść aż do 90°.


 **Ustawienie opóźnionego rozpoczęcia.**

W celu ustawienia opóźnionego rozpoczęcia wybranego programu należy naciskać odpowiedni przycisk aż do osiągnięcia żądanego czasu opóźnienia. Kiedy opcja ta jest aktywna, na wyświetlaczu pojawia się symbol . W celu usunięcia opóźnionego uruchomienia należy naciskać przycisk aż do pojawienia się napisu „OFF”.


**Ustawić żądany stopień intensywności prania.**

Opcja  umożliwia optymalizację prania w zależności od stopnia zabrudzenia tkanin oraz żądanej intensywności prania.


Wybrać program prania, cykl zostanie automatycznie ustawiony na poziomie „NORMALNY”, przeznaczonym dla średnio zabrudzonej odzieży, (ustawienie to nie stosuje się dla cyklu „Wełna”, który ustawia się automatycznie na poziomie „DELIKATNE”).

W przypadku silnie zabrudzonej odzieży, należy nacisnąć przycisk  aż do przejścia do poziomu „SUPER PRANIE”. Poziom ten gwarantuje wysokiej jakości pranie, dzięki użyciu większej ilości wody w początkowej fazie cyklu i intensywniejszym ruchom mechanicznym służy do usuwania najoporniejszych plam. Może być używany z wybielaczem i bez niego.

Jeśli chce się przeprowadzić wybielanie, należy włożyć dodatkową szufladkę 4, znajdującą się w wyposażeniu, do szufladki 1. Nie przekraczać poziomu „max” wybielacza w płynie, podanej na środkowym wskaźniku (zobacz rysunek na str. 22).

W przypadku lekko zabrudzonej odzieży lub w celu delikatnego obchodzenia się z tkaninami, należy nacisnąć przycisk  aż do przejścia do poziomu „DELIKATNE”. Cykl zredukuje ruchy mechaniczne, aby zagwarantować doskonały efekt prania delikatnej odzieży.

**Ustawić rodzaj płukania.**

Opcja  umożliwia wybranie rodzaju płukania przeznaczonego do jak największej ochrony delikatnej skóry. Po pierwszym naciśnięciu przycisku, zostaje ustawiony poziom „EXTRA PŁUKANIE”, który pozwala wybrać dodatkowe płukanie, oprócz standardowego, w celu usunięcia wszelkich pozostałości detergentu. Po drugim naciśnięciu przycisku, zostaje ustawiony poziom „WRAŻLIWA SKÓRA”, który pozwala wybrać dwa dodatkowe płukania, oprócz standardowego, w celu jak najlepszej ochrony delikatnej skóry. Po trzecim naciśnięciu przycisku, zostaje ustawiony poziom „ANTYALERGICZNE”, który pozwala wybrać trzy dodatkowe płukania, oprócz standardowego, w celu usunięcia głównych alergenów, takich jak pyłki, roztocza, sierść psów i kotów. Nacisnąć ponownie przycisk, aby powrócić do „PŁUKANIE STANDARDOWE” rodzaju płukania. Jeśli któreś z ustawień lub zmiana ustawienia nie jest możliwe, na wyświetlaczu pojawi się napis „ZABLOKOWANE”.




**Zmiana charakterystyki cyklu.**


- Naciskać przycisk w celu uruchomienia funkcji; zaświeci się kontrolka odpowiadająca przyciskowi.
- Nacisnąć ponownie przycisk w celu wyłączenia funkcji, kontrolka zgaśnie.

! Jeśli wybrana funkcja nie jest zgodna z wybranym programem, kontrolka będzie pulsować, a funkcja nie zostanie uruchomiona.

! Jeśli wybrana funkcja nie jest zgodna z inną, ustawioną uprzednio, kontrolka odpowiadająca pierwszej funkcji będzie pulsowała i uruchomiona zostanie jedynie druga funkcja a kontrolka uruchomionej funkcji zaświeci się.

! Funkcje mogą zmieniać zalecane obciążenie i/lub czas trwania cyklu.

- URUCHOMIENIE PROGRAMU.** Nacisnąć przycisk START/PAUSE. Odpowiednia kontrolka zaświeci się kolorem zielonym i drzwiczki zostaną zablokowane (symbol ZABLOKOWANYCH DRZWICZEK  świeci się). Podczas prania na wyświetlaczu pojawi się nazwa bieżącej fazy. W celu zmiany programu w czasie trwania cyklu należy ustawić pralkę w pauzie naciskając przycisk START/PAUSE (kontrolka START/PAUSE zacznie powoli pulsować w kolorze pomarańczowym); następnie wybrać potrzebny cykl i ponownie nacisnąć przycisk START/PAUSE. W celu otwarcia drzwiczek w trakcie wykonywania cyklu należy nacisnąć przycisk START/PAUSE; jeśli symbol ZABLOKOWANYCH DRZWICZEK  jest wyłączony możliwe będzie otwarcie drzwiczek (odczekać około 3 minuty). Nacisnąć ponownie przycisk START/PAUSE, aby uruchomić program od punktu, w którym został przerwany.
- KONIEC PROGRAMU.** Wskazywany jest napisem „KONIEC CYKLU” na wyświetlaczu, kiedy symbol ZABLOKOWANYCH DRZWICZEK  wyłączy się, możliwe będzie otwarcie drzwiczek (odczekać około 3 minuty). Otworzyć drzwiczki, wyjąć bieliznę i wyłączyć maszynę.

! Jeśli zamierza się anulować uruchomiony już cykl, przytrzymać dłużej naciśnięty przycisk . Cykl zostanie przerwany i maszyna wyłączy się.

### Tabela programów

Programy	Opis programu	Temp. max. (°C)	Prędkość max (obrotów na minutę)	Środki piorące				Ładunek max (kg)	Wilgotno re-sztkowa %	Zużycie energii kWh	Woda łożnie lt	Czas trwania cyklu
				Pranie wstępne	Pranie	Wybielacz	Środek zmiękczający					
	<b>ODPLAMIANIE</b>	40°	1200	●	●	-	●	4	-	-	-	**
	<b>BAWELNA STANDARDOWY 60°</b> (1° naciśnięcie przycisku) (1): tkaniny białe i kolorowe, wytrzymałe, mocno zabrudzone.	60° (Max. 90°)	1200	● (3)	●	●	●	7	53	1,07	52,5	195'
	<b>BAWELNA STANDARDOWY 40°</b> (2° naciśnięcie przycisku) (2): tkaniny kolorowe, wytrzymałe, lekko zabrudzone.	40°	1200	-	●	●	●	7	53	0,81	76	185'
	<b>BAWELNA STANDARDOWY 20°</b> (3° naciśnięcie przycisku): tkaniny kolorowe, wytrzymałe, lekko zabrudzone.	20°	1200	-	●	●	●	7	-	-	-	**
	<b>SYNTECYCZNE INTENSYWNY</b> (1° naciśnięcie przycisku): tkaniny kolorowe, wytrzymałe, mocno zabrudzone.	60°	1000	●	●	●	●	3	44	0,78	33	120'
	<b>SYNTECYCZNE INTENSYWNY (4)</b> (1° naciśnięcie przycisku): tkaniny kolorowe, wytrzymałe, mocno zabrudzone.	40°	1000	●	●	●	●	3	-	-	-	**
	<b>SYNTECYCZNE DELIKATNE</b> (2° naciśnięcie przycisku): tkaniny kolorowe, wytrzymałe, lekko zabrudzone.	40°	1000	●	●	●	●	3	-	-	-	**
	<b>SZYBKE PRANIE 60°</b> (1° naciśnięcie przycisku): w celu szybkiego odświeżenia mocno zabrudzonych tkanin (nie wskazany dla wełny, jedwabiu i tkanin przeznaczonych do prania ręcznego).	60°	1200	-	●	-	●	3,5	53	0,68	30	60'
	<b>SZYBKE PRANIE 30°</b> (2° naciśnięcie przycisku): w celu szybkiego odświeżenia lekko zabrudzonych tkanin (nie wskazany dla wełny, jedwabiu i tkanin przeznaczonych do prania ręcznego).	30°	800	-	●	-	●	3	70	0,17	31	30'
<b>M</b>	<b>MY CYCLE (PAMIĘĆ):</b> pozwala na zmemoryzowanie każdego typu prania.											
	<b>POŚCIEL I RĘCZNIKI:</b> do białej pościeli i kąpielowej.	60°	1200	●	●	-	●	7	-	-	-	**
	<b>Woolmark Platinum (WEŁNA):</b> do wełny, kaszmiru, itp.	40°	800	-	●	-	●	1,5	-	-	-	**
	<b>DELIKATNE</b>	30°	0	-	●	-	●	1	-	-	-	**
	<b>WIROWANIE</b> (1° naciśnięcie przycisku).	-	1200	-	-	-	-	7	-	-	-	**
	<b>PLUKANIE</b> (2° naciśnięcie przycisku).	-	1200	-	-	-	●	7	-	-	-	**
	<b>ODPROWADZANIE WODY</b> (3° naciśnięcie przycisku).	-	0	-	-	-	-	7	-	-	-	**

\*\* Możliwa jest kontrola czasu trwania programów na wyświetlaczu.

Czas trwania cyklu wskazany na wyświetlaczu lub w instrukcji jest czasem oszacowanym dla standardowych warunków. Rzeczywisty czas trwania cyklu może się zmieniać w zależności od wielu czynników, takich jak temperatura i ciśnienie wody na wlocie, temperatura otoczenia, ilość detergentu, ilość i rodzaj pranej odzieży, wyważenie ładunku, wybrane opcje dodatkowe.

- 1) Program sterowania zgodny z normą 1061/2010: ustawić program 60°C (1. naciśnięcie przycisku). Ten cykl jest odpowiedni do prania średnio zabrudzonej odzieży bawełnianej i jest najbardziej wydajnym cyklem pod względem łącznego zużycia energii elektrycznej i wody; należy go używać do odzieży przeznaczonej do prania w 60°C. Rzeczywista temperatura prania może się różnić od podanej.
- 2) Program sterowania zgodny z normą 1061/2010: ustawić program 40°C (2. naciśnięcie przycisku). Ten cykl jest odpowiedni do prania średnio zabrudzonej odzieży bawełnianej i jest najbardziej wydajnym cyklem pod względem łącznego zużycia energii elektrycznej i wody; należy go używać do odzieży przeznaczonej do prania w 40°C. Rzeczywista temperatura prania może się różnić od podanej.
- 3) W temperaturze 60°C nie można włączyć funkcji "Pranie wstępne".

Dla wszystkich Test Institutes:

- 2) Program bawełna, długi: ustawić program 40°C (2. naciśnięcie przycisku).
- 4) Program tkaniny syntetyczne długi: ustawić program 60°C (1. naciśnięcie przycisku) z temperaturą 40°C (naciśnąć przycisk TEMPERATURA).

### Funkcje prania

- Jeśli wybrana funkcja nie jest zgodna z wybranym programem, kontrolka będzie pulsować, a funkcja nie zostanie uruchomiona.
- Jeśli wybrana funkcja nie jest zgodna z inną, ustawioną uprzednio, kontrolka odpowiadająca pierwszej funkcji będzie pulsowała i uruchomiona zostanie jedynie druga funkcja a kontrolka uruchomionej funkcji zaświeci się.

#### Pranie Wstępne

W przypadku wyboru tej funkcji zostanie wykonane pranie wstępne, które ułatwia usunięcie uporczywych plam. **N.B.** Należy umieścić środek piorący w odpowiedniej przegródce.

#### Łatwe prasowanie

Po wybraniu tej funkcji, pranie oraz wirówka zostaną odpowiednio zmienione w celu ograniczenia powstawania zgnieceń. Po zakończeniu cyklu pralka wykona powolne obroty bębna, kontrolka funkcji ŁATWE

PRASOWANIE zaświeci się, a kontrolka START/PAUSE będzie pulsowała powoli w kolorze pomarańczowym. W celu zakończenia cyklu należy nacisnąć przycisk START/PAUSE lub przycisk ŁATWE PRASOWANIE.

#### Eco wash

Funkcja Eco Wash umożliwia oszczędności pod względem zużywanej energii, nie podgrzewając wody używanej do prania, co niesie za sobą korzyści zarówno dla środowiska naturalnego, jak i dla rachunku za prąd. Wzmocniona siła działania i zoptymalizowane zużycie wody gwarantują doskonałe rezultaty przy długości cyklu takiej samej, jak w przypadku cyklu standard. Aby uzyskać jak najlepsze rezultaty, zalecamy korzystać z płynu do prania.

# Środki piorące i bielizna

PL

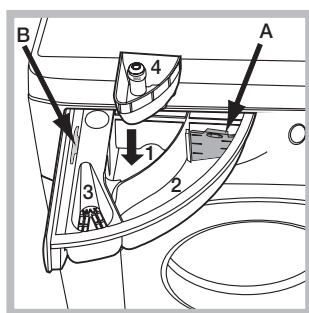
## Szufladka na środki piorące

Dobry rezultat prania zależy również od prawidłowego dozowania środka piorącego: użycie jego nadmiernej ilości nie poprawia skuteczności prania, lecz przyczynia się do powstawania nalotów na wewnętrznych częściach pralki i do zanieczyszczania środowiska.

! Środki piorące w proszku należy stosować do tkanin z białej bawełny i do prania wstępного oraz do prania w temperaturze przekraczającej 60°C.

! Należy stosować się do zaleceń podanych na opakowaniu środka piorącego.

! Nie stosować środków do prania ręcznego, ponieważ tworzą one za dużo piany.



Wysunąć szufladkę i umieścić w niej środek piorący lub dodatkowy w następujący sposób.

### Przegródka 1: Środek piorący do prania wstępnego (w proszku)

Przed wsypaniem środka piorącego należy sprawdzić, czy nie jest włożony dodatkowy pojemnik 4.

### Przegródka 2: Środek piorący do prania zasadniczego (w proszku lub w płynie)

W przypadku stosowania środka piorącego w płynie, zaleca się użycie ścianki A dostarczonej na wyposażeniu, która ułatwia prawidłowe dozowanie. W celu użycia środka piorącego w proszku, należy wsunąć ściankę w zgłębienie B.

### Przegródka 3: Środki dodatkowe (zmiękczające, itp.)

Środek zmiękczający nie powinien wypływać poza kratkę. **dodatkowy pojemnik 4: Wybielacz**

## Przygotowanie bielizny

- Podzielić bieliznę do prania według:
  - rodzaju tkaniny / symbolu na etykiecie.
  - kolorów: oddzielić tkaniny kolorowe od białych.
- Opróżnić kieszenie i sprawdzić guziki.
- Nie przekraczać wskazanego ciężaru suchej bielizny: patrz „Tabela programów”.

### Ile waży bielizna?

- 1 prześcieradło 400-500 gr.
- 1 poszewka 150-200 gr.
- 1 obrus 400-500 gr.
- 1 szlafrok 900-1.200 gr.
- 1 ręcznik 150-250 gr.

## Programy specjalne

**ODPLAMIANIE:** program odpowiedni do prania silnie zabrudzonej odzieży o trwałych kolorach. Program gwarantuje klasę prania wyższą od standardowej (klasa A). Nie używać programu, gdy miesza się odzież w różnych kolorach. Zalecamy stosowanie środka piorącego w proszku. W przypadku szczególnie opornych plam, zalecamy wcześniej zastosowanie specjalnych dodatków.

**Bawełna Standardowy 20°** : idealny do zabrudzonej bielizny bawełnianej. Dobre wyniki prania w zimnej wodzie, porównywalne z praniem w 40°, są gwarantowane dzięki działaniu mechanicznemu, wykonywanemu ze zmienną prędkością, której maksymalne wartości powtarzają się w krótkich odstępach czasu.

**POŚCIEL I RĘCZNIKI:** w celu wyprania bielizny kąpielowej i pościelowej w jednym cyklu, należy użyć programu , który optymalizuje zużycie środka piorącego i pozwala oszczędzać czas i pieniądze. Zalecamy stosowanie środka piorącego w proszku.

**Wełna:** cykl prania „Wełna” niniejszej pralki został zatwierdzony przez Woolmark Company jako odpowiedni do prania odzieży wełnianej i przeznaczonej do prania ręcznego, pod warunkiem, że pranie jest przeprowadzane zgodnie z instrukcjami podanymi na etykiecie ubrania oraz ze wskazówkami dostarczonymi przez producenta pralki.



**DELIKATNE:** używać programu do prania bardzo delikatnej odzieży, ozdobionej cekinami lub koralikami. Do prania **jedwabiu** i **zasłon**, należy wybrać cykl i ustawić poziom „DELIKATNE” opcji . Zalecamy wywrócenie ubrań na lewą stronę i włożenie małych części odzieży do woreczka przeznaczonego specjalnie do prania delikatnych ubrań. Dla osiągnięcia najlepszych efektów, zalecamy stosowanie środka piorącego w płynie do tkanin delikatnych.

## System równoważenia ładunku

Przed każdym wirowaniem, aby uniknąć nadmiernych drgań oraz jednorodnie rozłożyć wsad, bęben wykonuje obroty z prędkością nieco większą niż podczas prania. Jeśli pomimo kolejnych prób wsad nie zostanie równomiernie rozłożony, maszyna wykona wirowanie z prędkością mniejszą od przewidzianej. W przypadku nadmiernego nierównoważenia pralka wykona rozłożenie wsadu zamiast wirowania. Aby zapewnić lepsze rozłożenie wsadu oraz jego właściwe zrównoważenie, zaleca się wymieszanie dużych i małych sztuk bielizny.

Może się zdarzyć, że pralka nie działa. Przed wezwaniem Serwisu Technicznego (*patrz „Serwis Techniczny”*) należy sprawdzić, czy problemu nie da się łatwo rozwiązać przy pomocy poniższego wykazu.

## Nieprawidłowości w działaniu:      **Możliwe przyczyny / Rozwiązania:**

### Pralka nie włącza się.

- Wtyczka nie jest włączona do gniazdka lub jest wsunięta za słabo, tak że nie ma styku.
- W domu nastąpiła przerwa w dostawie prądu.

### Cykl prania nie rozpoczyna się.

- Drzwiczki pralki nie są dobrze zamknięte.
- Nie został wciśnięty przycisk ON/OFF.
- Nie został wciśnięty przycisk START/PAUSE.
- Kurek dopływu wody jest zamknięty.
- Zostało nastawione opóźnienie startu (*patrz “W jaki sposób wykonać cykl prania”*).

### Pralka nie pobiera wody (na wyświetlaczu pojawi się napis „BRAK WODY, SPRAWDŹ DOPLÝW WODY”).

- Przewód doprowadzający wodę nie jest podłączony do kurka.
- Przewód jest zgięty.
- Kurek dopływu wody jest zamknięty.
- W domu nastąpiła przerwa w dostawie wody.
- Ciśnienie wody nie jest wystarczające.
- Nie został wciśnięty przycisk START/PAUSE.

### Pralka cały czas pobiera i odprowadza wodę.

- Przewód odpływowy nie został zainstalowany na wysokości między 65 a 100 cm od podłogi (*patrz „Instalacja”*).
  - Końcówka przewodu odpływowego jest zanurzona w wodzie (*patrz „Instalacja”*).
  - Otwór odpływowy w ścianie nie posiada odpowietrznika.
- Jeśli po sprawdzeniu tych możliwości problem nie zostanie rozwiązany, należy zamknąć kurek dopływu wody, wyłączyć pralkę i wezwać Serwis Techniczny. Jeśli mieszkanie znajduje się na najwyższych piętrach budynku, może wystąpić efekt syfonu, w wyniku którego pralka cały czas pobiera i odprowadza wodę. W celu wyeliminowania tej niedogodności należy zakupić specjalny zawór, zapobiegający powstawaniu efektu syfonu.

### Pralka nie odprowadza wody i nie odwirowuje prania.

- Program nie przewiduje odprowadzania wody: w przypadku niektórych programów należy uruchomić je ręcznie (*patrz „Programy i funkcje”*).
- Włączona jest funkcja ŁATWE PRASOWANIE: aby zakończyć program, należy nacisnąć przycisk START/PAUSE (*„Programy i funkcje”*).
- Przewód odpływowy jest zgięty (*patrz „Instalacja”*).
- Instalacja odpływowa jest zatkana.

### Pralka mocno wibruje w fazie wirowania.

- Podczas instalacji pralki bęben nie został prawidłowo odblokowany (*patrz „Instalacja”*).
- Pralka nie jest właściwie wypoziomowana (*patrz „Instalacja”*).
- Pralka, zainstalowana pomiędzy meblami a ścianą, ma za mało miejsca (*patrz „Instalacja”*).

### Z pralki wycieka woda.

- Przewód doprowadzający wodę nie jest dobrze przykręcony (*patrz „Instalacja”*).
- Szufladka na środki piorące jest zatkana (w celu jej oczyszczenia *patrz „Utrzymanie i konserwacja”*).
- Przewód odpływowy nie jest dobrze zamocowany (*patrz „Instalacja”*).

### Maszyna jest zablokowana, wyświetlacz pulsuje i sygnalizuje kod anomalii (np.: F-01, F-..).

- Wyłączyć maszynę i wyjąć wtyczkę z gniazdka, odczekać około 1 minuty, następnie włączyć ją ponownie.  
Jeśli problem nie ustępuje, należy wezwać Serwis Techniczny.

### Tworzy się zbyt duża ilość piany.

- Środek piorący nie jest odpowiedni do pralek automatycznych (na opakowaniu musi być umieszczony napis: „do pralek”, „do prania ręcznego i w pralce” lub podobny).
- Użyto za dużo środka piorącego.

# Serwis Techniczny

PL

## Przed skontaktowaniem się z Serwisem Technicznym:

- Sprawdzić, czy problemu nie można rozwiązać samodzielnie (*patrz „Nieprawidłowości w działaniu i sposoby ich usuwania”*);
- Ponownie uruchomić program i sprawdzić, czy problem nie zniknął;
- Jeśli nie, zwrócić się do autoryzowanego Serwisu Technicznego, dzwoniąc pod numer podany w karcie gwarancyjnej.

! Nigdy nie wzywać nieautoryzowanych techników.

## Należy podać:

- rodzaj nieprawidłowości;
- model maszyny (Mod.);
- numer seryjny (S/N).

Informacje te znajdują się na tabliczce umieszczonej w tylnej części pralki oraz widocznej z przodu po otwarciu drzwiczek.

ROZPORZĄDZENIE DELEGOWANE KOMISJI (UE) NR 1061/2010	
Nazwa dostawcy	HOTPOINT/ARISTON
Nazwa modelu	WMD 722B EU.M
Pojemność znamionowa w kg	7
Klasa efektywności energetycznej w skali od A+++ (niskie zużycie) do G (wysokie zużycie)	A++
Roczne zużycie energii w kWh rocznie <sup>1)</sup>	197
Zużycie energii w przypadku standardowego programu prania tkanin bawełnianych w 60 °C przy pełnym załadunku <sup>2)</sup>	1.079
Zużycie energii w przypadku standardowego programu prania tkanin bawełnianych w 60 °C przy częściowym załadunku <sup>2)</sup>	0.726
Zużycie energii w przypadku standardowego programu prania tkanin bawełnianych w 40 °C przy częściowym załadunku <sup>2)</sup>	0.711
Zużycie energii w trybie wyłączenia	0.5
Zużycie energii w trybie czuwania	8
Roczne zużycie wody w litrach <sup>3)</sup>	9000
Klasa efektywności wirowania w skali od A (najwyższa efektywność) do G (najniższa efektywność)	B
Maksymalna szybkość wirowania <sup>4)</sup>	1200
Uzyskana wilgotność <sup>5)</sup>	53.0%
Czas w min standardowego programu prania tkanin bawełnianych w 60 °C przy pełnym załadunku.	195
Czas w min standardowego programu prania tkanin bawełnianych w 60 °C przy częściowym załadunku.	155
Czas w min standardowego programu prania tkanin bawełnianych w 40 °C przy częściowym załadunku.	150
Czas trwania trybu czuwania	30
Poziom emitowanego hałasu podczas prania w dB(A) <sup>6)</sup>	62
Poziom emitowanego hałasu podczas wirowania w dB(A) <sup>6)</sup>	83
Model przeznaczony do zabudowy	

<sup>1)</sup> Standardowy program prania tkanin bawełnianych w 60 °C\* i „standardowy program prania tkanin bawełnianych w 40 °C\* stanowią standardowe programy prania, do których odnoszą się informacje na etykiecie i w karcie, że są one odpowiednie do prania tkanin bawełnianych normalnie zabrudzonych oraz że są najbardziej efektywnymi programami pod względem łącznego zużycia energii i wody. Częściowy załadunek jest połową pełnego załadunku znamionowego.

<sup>2)</sup> Na podstawie 220 standardowych cykli prania w przypadku programów prania tkanin bawełnianych w 60 °C i 40 °C przy pełnym i częściowym załadunku oraz zużycie w trybach niskiego zużycia energii. Rzeczywiste zużycie energii zależy od sposobu użytkowania urządzenia.

<sup>3)</sup> Na podstawie 220 standardowych cykli prania w przypadku programów prania tkanin bawełnianych w 60 °C i 40 °C przy pełnym i częściowym załadunku. Rzeczywiste zużycie wody zależy od sposobu użytkowania urządzenia.

<sup>4)</sup> W przypadku standardowego programu prania tkanin bawełnianych w 60 °C przy pełnym załadunku oraz standardowego programu prania tkanin bawełnianych w 40 °C przy częściowym załadunku, w zależności od tego, która z tych wartości jest niższa,

<sup>5)</sup> W przypadku standardowego programu prania tkanin bawełnianych w 60 °C przy pełnym załadunku lub standardowego programu prania tkanin bawełnianych w 40 °C przy częściowym załadunku, w zależności od tego, która z tych wartości jest wyższa;

<sup>6)</sup> Na podstawie hałasu powstającego podczas faz prania i wirowania, w przypadku standardowego programu prania tkanin bawełnianych w 60 °C.



HU

Magyar

WMD 722

## Összefoglalás

### Üzembe helyezés, 26–27

Kicsomagolás és vízszintbe állítás  
Víz- és elektromos csatlakozás  
Első mosási ciklus  
Műszaki adatok

### Karbantartás és ápolás, 28

A víz elzárása és az elektromos áram kikapcsolása  
A mosógép tisztítása  
A mosószer-adagoló fiók tisztítása  
Az ajtó és a forgódob ápolása  
A szivattyú tisztítása  
A vízbevezető cső ellenőrzése

### Óvintézkedések és tanácsok, 29

Általános biztonság  
Hulladékelhelyezés

### A mosógép leírása, 30-31

Kezelőpanel  
Kijelző

### A mosási ciklusok végrehajtása, 32

### Programok és funkciók, 33

Programtáblázat  
Mosási funkciók

### Mosószerek és mosandók, 34

Mosószer-adagoló fiók  
A mosandó ruhák előkészítése  
Különleges programok  
A bepakolt ruhák kiegyensúlyozására szolgáló rendszer

### Rendellenességek és elhárításuk, 35

### Szerviz, 36

Hotpoint

ARISTON

HU

# Üzembe helyezés

HU

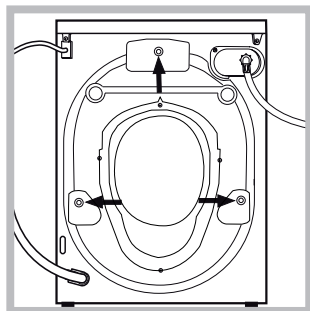
! Fontos, hogy megőrizze ezt a kézikönyvet, hogy mindig kéznél legyen. Ha a mosógépet eladná, átadná vagy másnál helyezné el, gondoskodjon arról, hogy e kézikönyv a mosógéppel együtt maradjon, hogy az új tulajdonos is megismerhesse a készülék funkcióit és az ezekre vonatkozó figyelmeztetéseket.

! Figyelmesen olvassa el az utasításokat: fontos információkat tartalmaznak az üzembe helyezésről, a használatról és a biztonságról.

## Kicsomagolás és vízszintbe állítás

### Kicsomagolás

1. Csomagolja ki a mosógépet.
2. Ellenőrizze, hogy a mosógép nem sérült-e meg a szállítás során. Ha a gépen sérülést talál, ne csatlakoztassa, és forduljon a viszonteladóhoz.

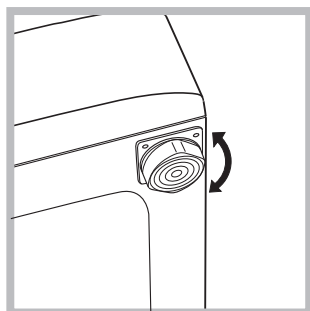


3. Csavarozza ki a gép hátsó részén található, a szállításához szükséges 3 védőcsavart, és távolítsa el a gumibakot (lásd ábra).

4. Zárja le a furatokat a mellékelt műanyag dugókkal.
5. Minden darabot őrizzen meg: ha a mosógépet szállítani kell, előtte ezeket vissza kell szerelni.

! A csomagolóanyag nem gyermekjáték!

### Vízszintbe állítás



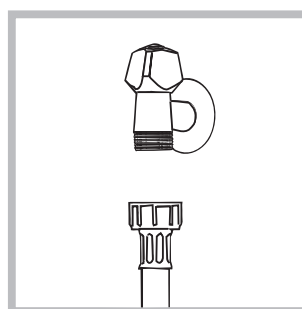
1. A mosógépet sík és kemény padlóra állítsa, úgy, hogy ne érjen falhoz, bútorhoz vagy másához.
2. Ha a padló nem tökéletesen vízszintes, azt az első lábak

be-, illetve kicsavarásával kompenzálhatja (lásd ábra). A gép felső burkolatán mért dőlés nem haladhatja meg a 2°-ot.

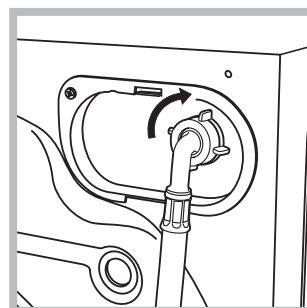
A pontos vízszintezés biztosítja a gép stabilitását, így az a működés során nem fog rezegni, zajt okozni, illetve elmozdulni. Szőnyegpadló vagy szőnyeg esetén a lábakat úgy állítsa be, hogy a mosógép alatt elegendő hely maradjon a szellőzésre.

## Víz- és elektromos csatlakozás

### Vízbevezető cső csatlakoztatása



1. A vízbevezető cső csatlakoztatásához csavarozza fel a csövet egy 3/4"-os külső menettel rendelkező hidegvíz csapra (lásd ábra). A csatlakoztatás előtt eressze meg a csapot addig, amíg a víz teljesen átlátszóvá nem válik.



2. A vízbevezető cső csatlakoztatásához csavarozza a csövet a mosógép hátoldalán jobbra fent található vízbemeneti csonkra (lásd ábra)!

3. Ügyeljen arra, hogy a csövön ne legyen törés vagy szűkület!

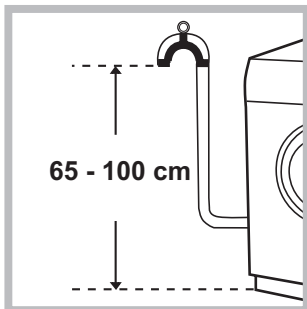
! A csap víznyomásának a műszaki adatok táblázatában szereplő határértékek között kell lennie (lásd a szemben lévő oldalt).

! Amennyiben a vízbevezető cső nem elég hosszú, forduljon szaküzlethez vagy engedéllyel rendelkező szakemberhez.

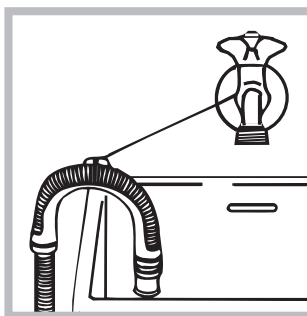
! Soha ne használjon korábban már használt csöveket.

! Használja a készülékhez mellékelteket.

## A leeresztőcső csatlakoztatása



Csatlakoztassa a leeresztőcsövet a lefolyóhoz vagy a padlótól 65 és 100 cm közötti magasságban lévő fali szifonhoz anélkül, hogy megtörné;



illetve akassza a mosdó vagy a kád szélére úgy, hogy a mellékelt csővezető ívet a csaphoz erősíti (lásd ábra). A leeresztőcső szabad végének nem szabad vízbe merülnie.

! Toldások használata nem javasolt. Amennyiben feltétlenül szükséges, a toldás átmérője egyezzen meg az eredeti csőével és semmiképpen se legyen 150 cm-nél hosszabb.

## Elektromos csatlakoztatás

Mielőtt a csatlakozódugót az aljzatba dugná, bizonyosodjon meg arról, hogy:

- az aljzat földelése megfelel a törvény által előírtak;
- az aljzat képes elviselni a készülék műszaki adatait tartalmazó táblázatban megadott maximális teljesítményfelvételt (lásd szemben);
- a hálózat feszültsége a műszaki adatokat tartalmazó táblázatban szereplő értékek közé esik (lásd szemben);
- az aljzat kompatibilis a mosógép csatlakozódugójával. Ellenkező esetben cserélje ki az aljzatot vagy a csatlakozódugót!

! A mosógép nem állítható fel nyílt téren, még akkor sem, ha tető van fölötte, mivel nagyon veszélyes, ha a gép esőnek vagy zivataroknak van kitéve.

! A csatlakozódugónak a mosógép üzembe helyezett állapotában is könnyen elérhető helyen kell lennie.

! Ne használjon hosszabbítót vagy elosztót.



! A kábel ne legyen se megtörve, se összenyomva.

! A tápkábelt csak engedéllyel rendelkező szakember cserélheti.

Figyelem! A fenti előírások figyelmen kívül hagyása esetén a gyártó elhárít minden felelősséget.

## Első mosási ciklus

Üzembe helyezés után – mielőtt a mosógépet használni kezdené – mosószerrel, mosandó ruha nélkül futtassa le a „AUTOMATA TISSZTÍTÁS” mosási programot (lásd „A mosógép tisztítása”).

Műszaki adatok	
Modell	WMD 722
Méret	szélesség 59,5 cm magasság 85 cm mélység 52,2 cm
Ruhatöltet:	1-től 7 kg-ig
Elektromos csatlakozás	lásd a készüléken található, műszaki jellemzőket tartalmazó adattáblát!
Vízcsatlakozások	maximális nyomás 1 MPa (10 bar) minimális nyomás 0,05 MPa (0,5 bar) dob úrtartalma 46 lite
Centrifuga fordulatszám	1200 fordulat/perc-ig
Az 1061/2010 és 1015/2010 rendeletek szerinti vizsgálati programok	☐ (60°)-as program (nyomja meg 1-szer a gombot); NORMÁL PAMUT 60°. ☐ (40°)-as program (nyomja meg 2-szer a gombot); NORMÁL PAMUT 40°.
 	Ez a berendezés megfelel a következő Uniói Előírásoknak: - 2004/108/CE (Elektromágneses összeférhetőség) - 2012/19/EU (WEEE) - 2006/95/CE (Alacsony feszültség)

# Karbantartás és ápolás

HU

## A víz elzárása és az elektromos áram kikapcsolása

- Minden mosás után zárja el a vízcsapot. Így kíméli a mosógép vízrendszerét és megszünteti a vízszivárgás kockázatát.
- A mosógép tisztításakor, illetve karbantatásakor húzza ki a hálózati csatlakozódugót az aljzatból.

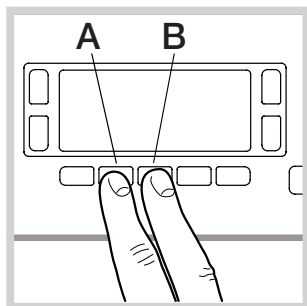
## A mosógép tisztítása

- A külső részeket és a gumirészeket langyos, szappanos vizes ronggyal tisztíthatja. Ne használjon oldószert vagy súrolószert!
- A mosógép a belső részegységek tisztítása érdekében „AUTOMATA TISSZTÍTÁS” programmal rendelkezik, melyet a **dob üres állapotában** kell végrehajtani.

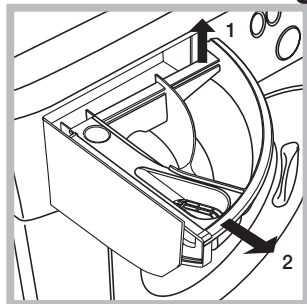
A mosószer (az enyhén szennyezett ruhadarabokhoz javasolt mennyiség 10%-ának megfelelő mennyiség) vagy a mosógéptisztító különleges adalékanyag a mosási program segédanyagaként használható. A tisztítási programot 40 mosási ciklusonként tanácsos lefuttatni.

A program bekapcsolásához nyomja meg egyidejűleg 5 másodpercig az **A** és **B** gombot (lásd ábra).

A program automatikusan elindul, és nagyjából 70 percig tart. A ciklus leállításához nyomja meg az START/PAUSE gombot.



## A mosószer-adagoló fiók tisztítása



A fiók felemelésével és kifelé húzásával vegye ki a fiókot (lásd ábra).

Folyó víz alatt mossa ki! Ezt a tisztítást gyakran el kell végezni.

## Az ajtó és a forgódob ápolása

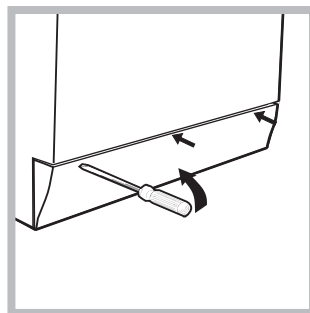
- Az ajtót hagyja mindig részre nyitva, nehogy rossz szagok keletkezzenek.

## A szivattyú tisztítása

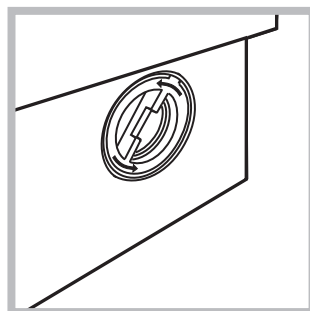
A mosógép öntisztító szivattyúval van felszerelve, melynek nincs szüksége tisztítási és karbantartási műveletekre. Előfordulhat azonban, hogy apró tárgyak (aprópénz, gomb) esnek a szivattyú alsó részén található szivattyúvédő előkamrába.

**!** Győződjön meg róla, hogy a mosóprogram véget ért, és húzza ki a hálózati csatlakozót.

Az előkamrához való hozzáférés érdekében tegye a következőket:



1. Egy csavarhúzó segítségével távolítsa el a burkolópanelt a készülék elejéről (lásd ábra);



2. Órairánnyal elmentésesen forgatva csavarja le a fedelet (lásd ábra). Természetes, hogy egy kevés víz kifolyjék;

3. Gondosan tisztítsa ki az üreg belsejét;
4. Csavarja vissza a fedelet;
5. Szerelje vissza a panelt – mielőtt a gép felé nyomná, győződjön meg arról, hogy a horgok a hozzájuk tartozó furatokba illeszkednek.

## A vízbevezető cső ellenőrzése

Évente legalább egyszer ellenőrizze a vízbevezető csövet. Ha repedezett vagy hasadozott, ki kell cserélni – a mosás során a nagy nyomás hirtelen szakadást okozhat.

**!** Soha ne használjon korábban már használt csöveket.

! A mosógép a nemzetközi biztonsági szabványoknak megfelelően lett tervezve és gyártva. Ezeket a figyelmeztetéseket biztonsági okokból írjuk le, kérjük, olvassa el őket figyelmesen!

## Általános biztonság

- Ez a készüléket háztartási használatra lett tervezve.
- Ezt a készüléket a 8 éves kort betöltött gyermekek, valamint a testileg, érzékszervileg vagy szellemileg korlátozott, nem hozzáértő, illetve a terméket nem ismerő személyek csak megfelelő felügyelet mellett, vagy a készülék biztonságos használatával kapcsolatos alapvető utasítások és a kapcsolódó veszélyek ismeretében használhatják. A gyerekek nem játszhatnak a készülékkel. A karbantartási és tisztítási munkálatokat felügyelet nélkül hagyott gyerekek nem végezhetik.
- Ne érjen a géphez meztláb, illetve vizes vagy nedves kézzel vagy lábbal!
- A csatlakozódugót az aljzatból ne a kábelnél, hanem a csatlakozónál fogva húzza ki!
- Működés közben ne nyissa ki a mosószer-adagoló fiókot.
- Ne nyúljon a leeresztett vízbe, mert forró lehet!
- Semmiképpen ne feszegesse az ajtót: megsérülhet a véletlen nyitást megakadályozó biztonsági retesz.
- Hiba esetén semmiképpen se nyúljon a gép belső részeihez, és ne próbálja megjavítani!
- Mindig ügyeljen arra, hogy gyermekek ne mehessenek a működő gép közelébe.
- A mosás során az ajtó meleg lehet.
- Amennyiben a gépet át kell helyezni, az áthelyezést két vagy három személy végezze, maximális odafigyeléssel. Soha ne próbálja egyedül elmozdítani, mert a készülék nagyon nehéz.
- A mosandó berakása előtt ellenőrizze, hogy a forgódob üres-e.

## Hulladékelhelyezés

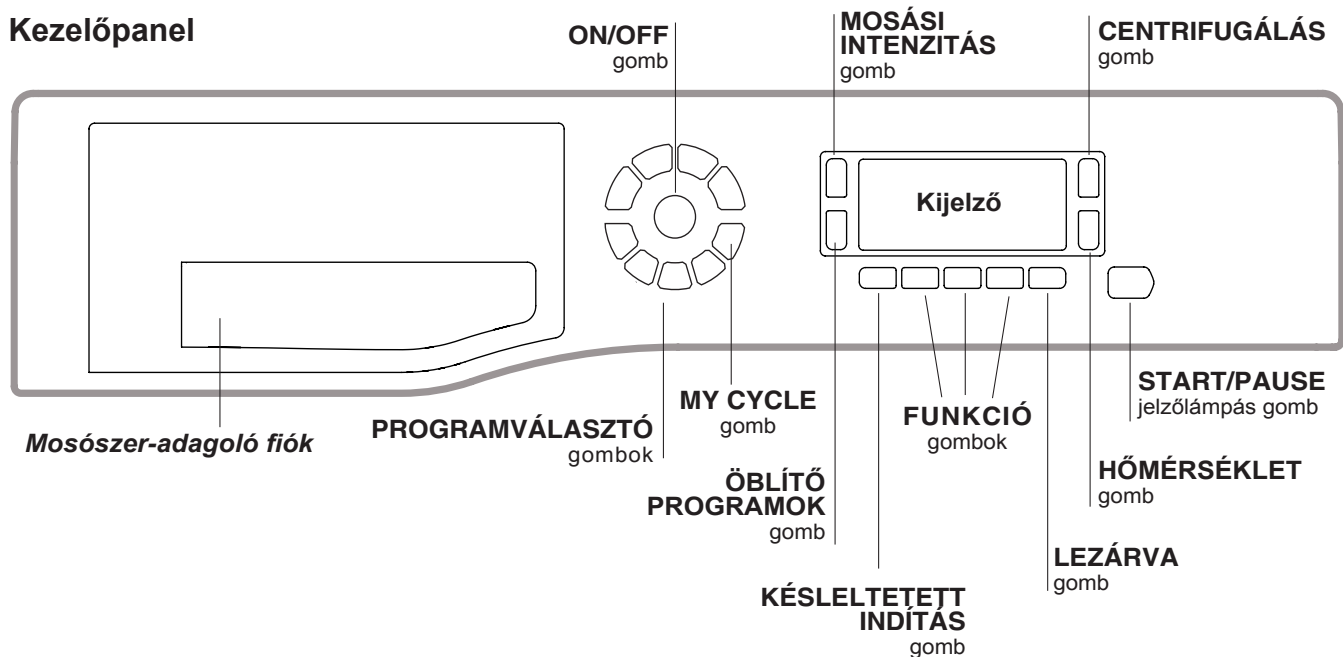
- A csomagolóanyag megsemmisítése: tartsa be a helyi előírásokat, így a csomagolás újrahasznosítható.
- Az elektromos készülékek megsemmisítéséről szóló európai direktíva 2012/19/EU - WEEE előírja, hogy a régi háztartási gépeket nem szabad a normál nem szelektív hulladékgyűjtési folyamat során összegyűjteni. A régi gépeket szelektíven kell összegyűjteni, hogy optimalizálni lehessen a bennük lévő anyagok újrahasznosítását és csökkenteni lehessen az emberi egészségre és környezetre gyakorolt hatásukat. Az áthúzott "szemeteskuka" jele emlékezteti Önt arra, hogy kötelessé-

ge ezeket a termékeket szelektíven összegyűjteni. A fogyasztóknak a helyi hatóságot vagy kereskedőt kell felkeresniük a régi háztartási gépek helyes elhelyezését illetően.


# A mosógép leírása

HU

## Kezelőpanel



**Mosószer-adagoló fiók:** a mosószerek és adalékanyagok betöltésére szolgál (lásd „Mosószerek és mosandók”).

**ON/OFF gomb** : a készülék be-, vagy kikapcsolásához nyomja meg röviden ezt a gombot. Amennyiben az START/PAUSE lámpa zöld fénnel lassan villog, a készülék be van kapcsolva. A mosógép mosás közben történő leállításához hosszan, kb. 3 másodpercig tartsa lenyomva a nyomógombot – a gomb rövid, vagy véletlen megnyomása nem kapcsolja le a készüléket. A mosógép mosás közben történő leállítása magát a mosás programot is törli. A kívánt programot újból be kell állítani.


**PROGRAMVÁLASZTÓ gombok:** a kívánt program beállítására szolgálnak (lásd „Programtáblázat”).


**MY CYCLE gomb:** az egyéni igényeknek megfelelően beállított program tárolásához tartsa lenyomva ezt a gombot. A korábban eltárolt programokat a MEMÓRIA gomb megnyomásával lehet előhívni.


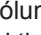
**FUNKCIÓ gombok:** a kívánt funkció kiválasztásához nyomja meg ezt a gombot. A kijelzőn világít a megfelelő jelzőlámpa.


**MOSÁSI INTENZITÁS**  gomb: A kívánt mosási intenzitás kiválasztására szolgál.

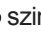
**ÖBLÍTŐ PROGRAMOK**  gomb: A kívánt öblítéstípus kiválasztására szolgál.

**CENTRIFUGÁLÁS**  gomb: a centrifugálás sebességének csökkentéséhez, vagy annak teljes kikapcsolásához nyomja meg ezt a gombot – az érték megjelenik a kijelzőn.

**HŐMÉRSÉKLET**  gomb: A hőmérséklet csökkentéséhez nyomja meg ezt a gombot – az érték megjelenik a kijelzőn.

**LEZÁRVA**  gomb: a kezelőpanel letiltásához nagyjából 2 másodpercig tartsa lenyomva ezt a gombot. Ha a szimbólum  világít, az azt jelenti, hogy a gyerekszár aktiválva van (a ON/OFF gomb kivételével). Ez a funkció megakadályozza a programok véletlen átállítását, főképp, ha gyerekek is vannak a lakásban. A kezelőpanel letiltásának kikapcsolásához nagyjából 2 másodpercig tartsa lenyomva ezt a gombot.

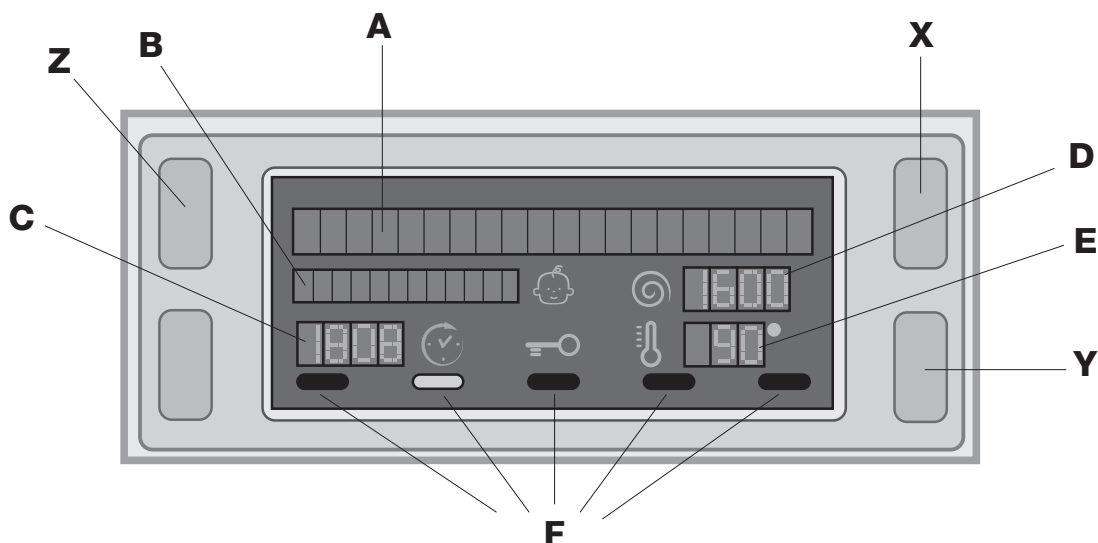
**KÉSLELTETETT INDÍTÁS**  gomb: a kiválasztott program késleltetett elindításához nyomja meg ezt a gombot. A késleltetés értéke megjelenik a kijelzőn.

**START/PAUSE jelzőlámpás gomb:** ha a zöld jelzőlámpa lassan villog, a mosás indításához nyomja meg ezt a gombot. A ciklus elindításával a jelzőlámpa állandó fénnel kezd világítani. A mosás szüneteltetéséhez ismételtlen nyomja meg ezt a gombot; a jelzőlámpa narancssárga fénnel kezd el villogni. Amennyiben a  szimbólum nem világít, az ajtót ki lehet nyitni (várjon kb. 3 perccel). A mosásnak a megszakítás időpontjától való folytatásához nyomja meg ismét ezt a gombot.

### Készenléti üzemmód

Ez a mosógép - az energiatakarékosságra vonatkozó legújabb előírásoknak megfelelően - automatikus kikapcsolási (készenléti) rendszerrel van ellátva, mely a használat 30 percnyi szüneteltetése esetén bekapcsol. Nyomja meg röviden a ON/OFF gombot, és várjon, amíg a készülék újrabekapcsol.

## Kijelző



A kijelző a készülék programozásához nyújt segítséget, és számos információt szolgáltat.

A felső **A** és **B** feliratmező a kiválasztott mosási programot, a folyamatban lévő mosási fázist és az összes, a program előrehaladásával kapcsolatos információt jeleníti meg.

A **C** feliratmező a folyamatban lévő mosási ciklus végéig hátralévő maradékidőt, illetve KÉSLELTETETT INDÍTÁS beállítása esetén a kiválasztott program elindulásáig hátralévő időt jeleníti meg.

A **D** feliratmező a beállított programhoz választható centrifugasebesség maximális értékét jeleníti meg – amennyiben a program nem tartalmaz centrifugálást, a feliratmező üres marad.

Az **E** feliratmező a beállított programhoz választható hőmérséklet maximális értékét jeleníti meg – amennyiben a programhoz nem kell beállítani a hőmérsékletet, a feliratmező üres marad.

Az **F** jelzőlámpák a funkciókhoz tartoznak, és akkor kapcsolnak be, ha a kiválasztott funkció kompatibilis a beállított programmal.

### Ajtózár szimbólum

A világító jelzőlámpa azt jelenti, hogy az ajtó a véletlen kinyitás megakadályozása érdekében be van zárva. A károk elkerülése érdekében az ajtó kinyitása előtt meg kell várni, hogy a jelzőlámpa kialudjon (várjon kb. 3 percet).











**Megjegyzés:** Amennyiben a KÉSLELTETETT INDÍTÁS funkció be van kapcsolva, az ajtót nem lehet kinyitni. Az ajtó kinyitásához az START/PAUSE gomb megnyomásával szüneteltesse le a készülék működését.


! Az első bekapcsoláskor a készülék kérni fogja a nyelv kiválasztását, és a kijelző automatikusan belép a nyelvválasztás menübe.

A kívánt nyelv kiválasztásához nyomja meg a **X** és a **Y** gombokat, a kiválasztás jóváhagyásához pedig a **Z** gombot. Amennyiben módosítani szeretné a nyelvet, kapcsolja ki a készüléket, és tartsa egyszerre lenyomva az **X**, **Y**, **Z** gombokat a hangjelzésig. A kijelzőn újra megjelenik a nyelvválasztás menü.


# A mosási ciklusok végrehajtása

HU

- 1. A KÉSZÜLÉK BEKAPCSOLÁSA.** Nyomja meg a  gombot – a kijelzőn megjelenik az PROGRAM FOLYAMATBAN felirat, az START/PAUSE lámpa pedig lassan, zöld fényvel villogni kezd.
- 2. A MOSANDÓ RUHÁK BEPAKOLÁSA.** Nyissa ki az ajtót! Tegye be a mosandó ruhákat, ügyelve arra, hogy ne lépje túl a következő oldalon található programtáblázatban feltüntetett ruhatöltet-mennyiséget.
- 3. A MOSÓSZER ADAGOLÁSA.** Vegye ki a fiókot, és a „Mosószerek és mosandók” fejezetben leírtak szerint öntse a mosószert a megfelelő tégelybe.
- 4. CSUKJA BE AZ AJTÓT.**
- 5. A PROGRAM KIVÁLASZTÁSA.** A kívánt program kiválasztásához nyomja meg az egyik PROGRAMVÁLASZTÓ gombot – a program neve megjelenik a kijelzőn. Mindegyik programhoz tartozik egy hőmérséklet és egy centrifugasebesség, melyek megváltoztatható értékek. A kijelzőn megjelenik a ciklusidő.
- 6. A MOSÁSI CIKLUS EGYÉNI BEÁLLÍTÁSAI.** Használja a megfelelő gombokat:
  -   **A hőmérséklet és/vagy a centrifugasebesség megváltoztatása.** A készülék automatikusan kiválasztja az elindított programhoz tartozó legmagasabb hőmérsékletet és centrifugasebességet. Ezen értékek további növelése nem lehetséges. A  gomb nyomogatásával a hőmérséklet fokozatosan csökkenthető egészen a hidegmosásig „OFF”. A  gomb nyomogatásával a centrifugasebesség fokozatosan csökkenthető egészen annak kikapcsolásáig „OFF”. A gomb legalsó értéken történő megnyomásával visszatérhet a maximális értékekhez.  
**! Kivétel:** a  60°C (nyomja meg 1-szer a gombot) program kiválasztása esetén a hőmérséklet egészen 90°C-ig növelhető.
  -  **Késleltetett indítás beállítása.** A kiválasztott program késleltetett indításához nyomogassa a megfelelő gombot addig, míg a késleltetés kívánt értékét el nem éri. Ha a funkció be van kapcsolva, a kijelzőn világít a  szimbólum. A késleltetett indítás törléséhez nyomogassa a gombot mindaddig, míg a kijelzőn meg nem jelenik az OFF felirat.
  - A kívánt mosási intenzitás beállítása.** Az opció  a mosásnak az anyagok szennyezettségétől és a kívánt mosási intenzitástól függő optimalizálására szolgál. Válassza ki a mosási programot, mire a rendszer ciklust automatikusan a közepesen szennyezett ruhadarabokra optimalizált „NORMÁL” szintre állítja be – a beállítás nem érvényes a „Gyapjú” ciklusra, melynél a rendszer a ciklust automatikusan a „KÉNYES” szintre állítja). Erősen szennyezett ruhadarabok esetén nyomogassa a  gombot addig, amíg a kívánt „SUPER MOSÁS” szintet el nem éri. Ez a szint, a ciklus kezdetén felhasznál nagy mennyiségű víznek és a nagyobb mechanikai átmozgatásnak köszönhetően nagy mosóhatást biztosít, ezért alkalmas a makacs szennyeződések eltávolítására. Használható **fehérítőszerrel vagy anélkül**. Ha fehéríteni szeretne, tegye be a mellékelt, 4-es berakható rekeszt az 1-es rekeszbe. A fehérítőszer betöltése közben vigyázzon arra, hogy az a központi csapon jelzett „max” szintet ne lépje túl (lásd 34. oldali ábra). Enyhén szennyezett ruhadarabok esetén vagy ha

a szövetek kíméletesebb kezelésére van szükség, nyomogassa a  gombot addig, amíg a kívánt „KÉNYES” szintet el nem éri. A ciklus a kényes anyagok tökéletes mosási eredménye érdekében lecsökkenti a mechanikus mozgatás mértékét.

## Az öblítéstípus beállítása.

Az opció  az érzékeny bőrről való maximális gondoskodást biztosító öblítéstípus kiválasztására szolgál. A gomb első megnyomásakor a ciklust a rendszer „EXTRA ÖBLÍTÉS” szintre állítja, mely a ciklus normál öblítéséhez egy további öblítést tesz hozzá, hogy a mosószert minden nyoma el legyen távolítva. A gomb második megnyomásakor a ciklust a rendszer „ÉRZÉKENY BŐR” szintre állítja, mely a ciklus normál öblítéséhez két további öblítést tesz hozzá, ezért használata az érzékenyebb bőrrel rendelkezők számára javasolt. A gomb harmadik megnyomásakor a ciklust a rendszer „ANTIALLERGÉN” szintre állítja, mely a ciklus normál öblítéséhez három további öblítést tesz hozzá, hogy az elsődleges allergének (pl. pollenek, atkák, macska- és kutyaszőr) el legyenek távolítva. A „NORMÁL ÖBLÍTÉS” öblítéstípushoz való visszatéréshez nyomja meg újból a gombot. Ha nem lehet beállítani vagy módosítani a meglévő beállítást, a kijelzőn a „NEM ELÉRHETŐ” szöveg jelenik meg.




## A program tulajdonságainak módosítása.


- A funkció bekapcsolásához nyomja meg ezt a gombot – a gombon található jelzőlámpa világít.
- A funkció kikapcsolásához ismételtén nyomja meg a gombot – a lámpa kialszik.

**! Ha a kiválasztott funkció a beállított programmal nem kompatibilis, a jelzőlámpa villogni kezd, és a funkció nem lesz bekapcsolva.**

**! Ha a kiválasztott funkció egy korábban beállított programmal nem kompatibilis, az elsőként kiválasztott funkció lámpája villogni kezd, és csak a második funkció lesz bekapcsolva, a bekapcsolt funkció lámpája folyamatosan világít.**

**! A funkciók megváltoztathatják az ajánlott ruhatöltet-mennyiséget és/vagy a ciklusidőt.**

- 7. A PROGRAM INDÍTÁSA.** Nyomja meg az START/PAUSE gombot. A megfelelő jelzőlámpa állandó zöld fényvel világítani kezd, és az ajtózárral bekapcsol (az  AJTÓZÁR szimbólum világítani kezd). A mosás ideje alatt a kijelzőn a folyamatban lévő mosási fázis neve látható. A program menet közben történő megváltoztatásához az START/PAUSE gomb megnyomásával szüneteltesse le a készülék működését – az START/PAUSE lámpa narancssárga fényvel lassan villogni kezd. Ezután válassza ki a kívánt programot, és nyomja meg újból az START/PAUSE gombot. Az ajtó menet közbeni kinyitásához nyomja meg az START/PAUSE gombot – ha az  AJTÓZÁR szimbólum kialudt, kinyithatja az ajtót (várjon kb. 3 percet). A mosásnak a megszakítás időpontjától való folytatásához nyomja meg ismét az START/PAUSE gombot.
- 8. A PROGRAM VÉGE.** Ezt a kijelzőn megjelenő „CIKLUS VÉGE” felirat jelzi. Ha az AJTÓZÁR  szimbólum kialszik, ki lehet nyitni az ajtót (várjon kb. 3 percet). Nyissa ki az ajtót, szedje ki a mosott ruhákat, és kapcsolja ki a készüléket.

**! Amennyiben nullázni szeretne egy már elindított programot, tartsa hosszan lenyomva a  gombot. A program megszakad, és a készülék kikapcsol.**



## Programtáblázat

Programok	Szimbólum Programleírás	Max, hőm (°C)	Max, sebesség (ford./perc)	Mosószeres és adalékok				Max. töltet (kg)	Maradék nedves-ségtartalom %	Energiafogyasztás kWh	Összes víz lt	Progr-amió
				Előmosás	Mosás	Fehérítőszer	Öblítő					
	<b>FOLTÉLTÁVOLÍTÁS</b>	40°	1200	●	●	-	●	4	-	-	-	**
	<b>NORMÁL PAMUT 60° (1)</b> (nyomja meg 1-szer a gombot): erősen szennyezett fehér és magasabb hőmérsékleten mosható színes ruhák.	60° (Max. 90°)	1200	● (3)	●	●	●	7	53	1,07	52,5	195'
	<b>NORMÁL PAMUT 40° (2)</b> (nyomja meg 2-szer a gombot): erősen szennyezett kényes fehér és színes ruhák.	40°	1200	-	●	●	●	7	53	0,81	76	185'
	<b>NORMÁL PAMUT 20°</b> (nyomja meg 3-szer a gombot): erősen szennyezett kényes fehér és színes ruhák.	20°	1200	-	●	●	●	7	-	-	-	**
	<b>SZINTETIKUS/ELLENÁLLÓ</b> (nyomja meg 1-szer a gombot): erősen szennyezett, magasabb hőmérsékleten mosható színes ruhák.	60°	1000	●	●	●	●	3	44	0,78	33	120'
	<b>SZINTETIKUS/ELLENÁLLÓ (4)</b> (nyomja meg 1-szer a gombot): erősen szennyezett, magasabb hőmérsékleten mosható színes ruhák.	40°	1000	●	●	●	●	3	-	-	-	**
	<b>SZINTETIKUS/KÉNYES</b> (nyomja meg 2-szer a gombot): enyhén szennyezett, magasabb hőmérsékleten mosható színes ruhák.	40°	1000	●	●	●	●	3	-	-	-	**
	<b>GYORSMOSÁS 60°</b> (nyomja meg 1-szer a gombot): Az erősen szennyezett ruhadarabok gyors átöblítésére (nem javasolt gyapjú, selyem és kézzel mosandó ruhaneműkhöz).	60°	1200	-	●	-	●	3,5	53	0,68	30	60'
	<b>GYORSMOSÁS 30°</b> (nyomja meg 2-szer a gombot): Az enyhén szennyezett ruhadarabok gyors átöblítésére (nem javasolt gyapjú, selyem és kézzel mosandó ruhaneműkhöz).	30°	800	-	●	-	●	3	70	0,17	31	30'
<b>M</b>	<b>MY CYCLE (MEMÓRIA):</b> bármilyen mosási típus memorizálását engedélyezi.											
	<b>7 NAP FEHÉRNEMŰ:</b> ágyneműkhöz és törölközőkhöz.	60°	1200	●	●	-	●	7	-	-	-	**
	<b>PLATINUM GYAPJÚ MOSÁS:</b> gyapjú, kasmír stb. ruhaneműk mosására.	40°	800	-	●	-	●	1,5	-	-	-	**
	<b>KÉNYES RUHÁK</b>	30°	0	-	●	-	●	1	-	-	-	**
	<b>CENTRIFUGA</b> (nyomja meg 1-szer a gombot)	-	1200	-	-	-	-	7	-	-	-	**
	<b>ÖBLÍTÉS</b> (nyomja meg 2-szer a gombot)	-	1200	-	-	-	●	7	-	-	-	**
	<b>SZIVATTYÚZÁS</b> (nyomja meg 3-szer a gombot)	-	0	-	-	-	-	7	-	-	-	**

\*\* A mosási programok mosási ideje leolvasható a kijelzőről.

A kijelzőn megjelenő vagy a kézikönyvben feltüntetett ciklusidők szokásos körülmények alapján becsült értékek. A tényleges időt számos tényező befolyásolhatja – pl. a bemeneti víznyomás, a környezeti hőmérséklet, a mosószer mennyisége, a ruhatöltet mennyisége és típusa, a ruhatöltet kiegyensúlyozása, a kiválasztott további opciók.

1) 1061/2010 szabvány szerinti vezérlőprogramok: a program 60°C (nyomja meg 1-szer a gombot).

Ez a ciklus egy adag, nem különösebben koszos pamut ruhadarabok mosására alkalmas, és ez a leghatékonyabb a víz- és energiafogyasztás szempontjából is. 60°C-on mosható termékekhez. A mosás tényleges hőmérséklete eltérhet a megjelölt értéktől.

2) 1061/2010 szabvány szerinti vezérlőprogramok: a program 40°C (nyomja meg 2-szer a gombot).

Ez a ciklus egy adag, nem különösebben koszos pamut ruhadarabok mosására alkalmas, és ez a leghatékonyabb a víz- és energiafogyasztás szempontjából is. 40°C-on mosható termékekhez. A mosás tényleges hőmérséklete eltérhet a megjelölt értéktől.

3) 60°C-os hőmérsékleten az "Előmosás" funkció nem elérhető.

A vizsgálószervek számára:

2) Hosszú pamut program: a program 40°C (nyomja meg 2-szer a gombot).

4) Hosszú műszálás program: a program 60 °C-ra állításához nyomja meg 1-szer a gombot; a 40 °C-ra állításhoz nyomja meg a HŐMÉRSÉKLET gombot.

## Mosási funkciók

- Ha a kiválasztott funkció a beállított programmal nem kompatibilis, a jelzőlámpa villogni kezd, és a funkció nem lesz bekapcsolva.

- Ha a kiválasztott funkció egy korábban beállított programmal nem kompatibilis, az elsőként kiválasztott funkció lámpája villogni kezd, és csak a második funkció lesz bekapcsolva, a bekapcsolt funkció lámpája folyamatosan világít.

### Előmosás

Ha ezt a funkciót kiválasztja, a készülék előmosást is fog végezni, mely makacs foltok eltávolítása esetén hasznos.

**Megjegyzés:** Töltse a mosószert a megfelelő rekeszbe.

### Vasaláskönnnyítés

Ez a funkció a gyűrődések keletkezésének csökkentése érdekében a megfelelő időben módosítja a mosási beállításokat és a centrifugasebességet. A VASALÁSKÖNNNYÍTÉS lámpa fénnnyel villogni kezd, a

kijelzőn pedig megjelenik a „CIKLUS VÉGE” felirat. A program befejezéséhez nyomja meg az START/PAUSE gombot vagy a VASALÁSKÖNNNYÍTÉS gombot.

### Eco wash

Az Eco Wash funkció a mosandó ruhák mosóvizének fel nem melegítésével energiát takarít meg – ez előnyös mind a környezet, mind a villanyszámla szempontjából. Valóban, a fokozott teljesítmény és az optimalizált vízfogyasztás kitűnő eredményt biztosít normál ciklus átlagos időtartama alatt. A legjobb mosási eredmény elérése érdekében folyékony mosószer használatát javasoljuk.

# Mosószerek és mosandók

HU

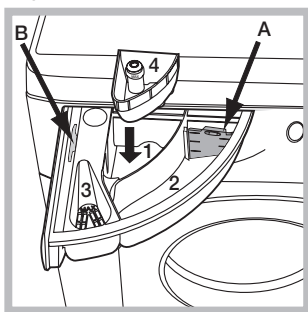
## Mosószertartó fiók

A mosás eredményessége függ a mosószertartó fiók elhelyezésétől is: ha túl sokat adagol belőle, a mosás nem lesz hatékonyabb, de hozzájárul ahhoz, hogy lerakódás képződjön a mosógépben, valamint a környezetet is jobban szennyezi.

! Fehér színű pamut ruhadarabokhoz, előmosáshoz és 60 °C-nál magasabb hőmérsékleten történő mosásokhoz mosóport használjon.

! Kövesse a mosópor csomagolásán feltüntetett utasításokat.

! Ne használjon kézi mosószert, mert túlzottan sok hab képződik.



Húzza ki a mosószertartó fiókot, és a következők szerint tegye bele a mosószert, illetve az adalékot.

### 1-es rekesz: Mosószert előmosáshoz (por)

A mosószert betöltése előtt győződjön meg arról, hogy a 4-es berakható rekesz nincs ebben a rekeszben.

### 2-es rekesz: Mosószert mosáshoz (por vagy folyadék)

Ha folyékony mosószert használ, a megfelelő adagolás érdekében tanácsos az **A** elválasztólapot használni. Ha mosóport használ, tegye az elválasztólapot a **B** térbe.

### 3-as rekesz: Adalékok (öblítők stb.)

Az öblítő ne érjen a rács fölé.

### 4-es berakható rekesz: Fehérítőszer

## A mosandó ruhák előkészítése

- Osztályozza a mosandókat a következők szerint:
  - Szövet típusa / címkén lévő szimbólum.
  - Színek Válogassa külön a színes és fehér ruhákat.
- Ürítse ki a zsebeket, és vizsgálja meg a gombokat.
- Ne lépje túl a mosandók száraz súlyára vonatkozóan megadott értékeket:
- Ne lépje túl a mosandók száraz súlyára vonatkozóan megadott értékeket: lásd *“Programtáblázat”*.

### Milyen nehezek a mosandó ruhák?

- 1 lepedő: 400–500 g
- 1 párnahuzat: 150–200 g
- 1 asztalterítő: 400–500 g
- 1 fürdőköpeny: 900–1200 g
- 1 törölköző: 150–250 g

## Különleges programok

**FOLTELTÁVOLÍTÁS:** A program az ellenálló színnel rendelkező, erősen szennyezett ruhadarabok mosására szolgál. A program a normálnál jobb (A osztályú) mosóhatást biztosít. Ne mosson együtt különböző színű ruhadarabokat. Folyékony mosószert használatát javasoljuk. Makacs szennyeződések esetén tanácsos különleges adalékkal előkezelni a szövetet.

**NORMÁL PAMUT 20°** : – Ideális a szennyezett pamut töltetekhez. A 40 °C-os mosáshoz mérhető, akár hideg mosás mellett is elérhető jó teljesítményt egy rendszeres időközönként ismétlődő sebességsúcsokkal jellemezhető, változó sebességű mechanikus mozgás biztosítja.

**7 NAP FEHÉRSEM:** Az ágyneműk és törölközők egyetlen ciklus alatti mosáshoz használja a programot. Ez a program optimalizálja az öblítőszer adagolását, valamint időt és energiát takarít meg önnek. Folyékony mosószert használatát javasoljuk.

**GYAPJÚ:** Ennek a mosógépnek a “gyapjú” mosási ciklusát a Woolmark Company engedélyezte “kézzel mosható” gyapjú ruhaneműk mosásához, amennyiben a mosást a ruhanemű címkéjén feltüntetett és a mosógép gyártója által előírt útmutatásoknak megfelelően hajtja végre.



**KÉNYES RUHÁK:** A nagyon kényes – pl. flitterekkel, csillogókkal ellátott – anyagok mosásához használja a programot.

A **selyem** ruhadarabokhoz és **függönyökhöz** válassza az ciklust, és állítsa a opcióban a szintet „KÉNYES” értékre.

A mosás előtt tanácsos kifordítani a ruhadarabokat, és a kisebb holmikat a kényes anyagok mosására szolgáló megfelelő mosózsákba rakni.

A jobb mosási eredmény érdekében kényes anyagokhoz való folyékony mosószert használatát javasoljuk.

## A bepakolt ruhák kiegyensúlyozására szolgáló rendszer

A túlzott zajhatás megelőzésére, valamint a mosandók egyenletes eloszlása érdekében a forgódob a centrifugafázis előtt a mosási centrifugasebességnél kicsit nagyobb sebességre kapcsol. Amennyiben a töltet kiegyensúlyozására irányuló próbálkozások nem vezetnek eredményre, a készülék az elméleti centrifugasebességnél lassabb centrifugálásra kapcsol. Jelentős kiegyensúlyozatlanság esetén a mosógép, centrifugálás előtt megpróbálja a töltetet megfelelően elosztatni. A töltet megfelelő eloszlásának biztosítása érdekében ajánlatos a nagy ruhaneműket a kicsikkel összekeverni.

Előfordulhat, hogy a mosógép nem működik. Mielőtt felhívna a szervizt (lásd „Szerviz”), ellenőrizze, hogy nem olyan problémáról van-e szó, amely a következő lista segítségével egyszerűen megoldható!

## Rendellenességek:

## Lehetséges okok / megoldás:

**A mosógép nem kapcsol be.**

- A hálózati csatlakozódugó nincs bedugva az aljzatba, vagy nem eléggé ahhoz, hogy jól érintkezzen.
- Nincs áram a lakásban.

**A mosási ciklus nem indul el.**

- A mosógép ajtaja nincs jól bezárva.
- Nem nyomta meg a ON/OFF gombot.
- Nem nyomta meg az START/PAUSE gombot.
- A vízcsap nincs nyitva.
- Az indítás időjelzőjén késleltetés lett beállítva – késleltetésidőzítő (lásd „A mosási ciklusok végrehajtása”).

**A mosógép nem kap vizet (a kijelzőn megjelenik a “VÍZHIÁNY, ELLENŐRIZZE!” felirat).**

- A vízbevezető cső nincs csatlakoztatva a csaphoz.
- A cső meg van törve.
- A vízcsap nincs nyitva.
- A lakásban nincs víz.
- Nincs elegendő nyomás.
- Nem nyomta meg az START/PAUSE gombot.

**A mosógép folytonosan szívja, és üríti a vizet.**

- A leeresztőcső nem a padlószinttől 65 és 100 cm közötti magasságban van felszerelve (lásd „Üzembe helyezés”).
- A leeresztőcső vége vízbe merül (lásd „Üzembe helyezés”).
- A fali szifonnak nincs szellőzése.

Ha ezen vizsgálatok után a probléma nem oldódik meg, zárja el a vízcsapot, kapcsolja ki a mosógépet, és hívja ki a szervizszolgálatot. Ha a lakás egy épület legfelsőbb emeleteinek egyikén található, lehetséges, hogy a csatornaszellőző eltömődésének jelensége (szivornyahatás) lépett fel, ezért a mosógép folytonosan szívja, és leereszti a vizet. E kellemetlenség elkerülésére a kereskedelmi forgalomban rendelkezésre állnak csatornaszellőző-szelepek.

**A mosógép nem üríti le a vizet, vagy nem centrifugál.**

- A program nem ereszti le a vizet: néhány programnál a vizet kézzel kell leereszteni (lásd „Programok és funkciók”).
- A VASALÁSKÖNNYÍTÉS funkció be lett kapcsolva – a program befejezéséhez nyomja meg az START/PAUSE gombot (lásd „Programok és funkciók”).
- A leeresztőcső meg van törve (lásd „Üzembe helyezés”).
- A lefolyó el van dugulva.

**A mosógép nagyon rázkódik a centrifugálás alatt.**

- Az üzembe helyezéskor a forgódob rögzítése nem lett eltávolítva (lásd „Üzembe helyezés”).
- A készülék nincs vízszintben (lásd „Üzembe helyezés”).
- A mosógép bútorok és falak közé van szorítva (lásd „Üzembe helyezés”).

**A mosógépből elfolyik a víz.**

- A vízbevezető cső nincs jól felcsavarva (lásd „Üzembe helyezés”).
- A mosószer-adagoló fiók eltömődött (tisztításához lásd „Karbantartás és ápolás”).
- A leeresztőcső nincs szorosan rögzítve (lásd „Üzembe helyezés”).

**A készülék lezár – a kijelző villogni kezd, és a hiba kódját mutatja (pl.: F-01, F-...).**

- Kapcsolja ki a készüléket, és húzza ki a dugót a konnektorból, várjon körülbelül 1 percet, majd indítsa újra!  
Ha a hiba továbbra is fennáll, forduljon a szervizhez!

**Sok hab képződik.**

- A mosószer nem mosógépekhez való (kell, hogy szerepeljen rajta, hogy „gépi”, „kézi vagy gépi mosáshoz”, vagy hasonló).
- Túl sok mosószert használt.

## Mielőtt a szervizhez fordulna:

- Győződjön meg arról, hogy a hibát nem tudja saját maga is elhárítani (lásd „Rendellenességek és elhárításuk”);
- Indítsa újra a programot, hogy lássa, elhárította-e a hibát;
- Ellenkező esetben forduljon az engedéllyel rendelkező szakszervizhez a garanciajegyen található telefonszámon.

! Soha ne forduljon engedéllyel nem rendelkező szerelőhöz!

## Közlje:

- a meghibásodás jellegét;
- a mosógép típusát (Mod.);
- a gyártási számot (S/N).

Ezek az adatok a mosógép hátoldalán, illetve az elülső oldalon az ajtó belsején elhelyezett adattáblán található.

A BIZOTTSÁG 1061/2010/EU FELHATALMAZÁSON ALAPULÓ RENDELETE	
Márka	HOTPOINT/ARISTON
Típusazonosító	WMD 722B EU.M
Előírt kapacitás a pamut kg-jában kifejezve.	7
Energihatékonysági osztály A+++ (alacsony fogyasztás) osztálytól G (magas fogyasztás) osztályig.	A++
Éves energiafogyasztás kWh/év-ben kifejezve. <sup>1)</sup>	197
A normál 60 °C-os pamutprogram teljes töltet melletti energiafogyasztása kWh-ban. <sup>2)</sup>	1.079
A normál 60 °C-os pamutprogram részleges töltet melletti energiafogyasztása kWh-ban. <sup>2)</sup>	0.726
A normál 40 °C-os pamutprogram részleges töltet melletti energiafogyasztása kWh-ban. <sup>2)</sup>	0.711
Energiafogyasztás kikapcsolt üzemmódban W-ban.	0.5
Energiafogyasztás bekapcsolva hagyott üzemmódban W-ban.	8
Éves vízfogyasztás literben. <sup>3)</sup>	9000
Centrifugálási hatékonysági osztály G osztálytól (alacsony hatékonyság) A osztályig (magas hatékonyság).	B
Maximálisan elérhető centrifugálási sebesség. <sup>4)</sup>	1200
Megmaradó nedvességtartalom. <sup>5)</sup>	53.0%
Programidő a teljes töltetű „normál 60 °C-os pamutprogramon” percben kifejezve és percre kerekítve.	195
Programidő a részleges töltetű „normál 60 °C-os pamutprogramon” percben kifejezve és percre kerekítve.	155
Programidő a részleges töltetű „normál 40 °C-os pamutprogramon” percben kifejezve és percre kerekítve.	150
A bekapcsolva hagyott üzemmód időtartama.	30
Zajkibocsátás dB(A)-ben kifejezve 1 pW hangteljesítményre vonatkoztatva mosás esetén. <sup>6)</sup>	62
Zajkibocsátás dB(A)-ben kifejezve 1 pW vonatkoztatva centrifugálás esetén. <sup>6)</sup>	83
Beépíthető modell.	

<sup>1)</sup> A „normál 60 °C-os pamutprogram” teljes és részleges töltet mellett és a „normál 40 °C-os pamutprogram” részleges töltet mellett az a normál mosási program, amelyre a címkén és az adattáblán található tájékoztatás vonatkozik. E programok alkalmasak az átlagosan szennyezett pamut ruhanemű mosására, illetve hogy az energia- és vízfogyasztás szempontjából együtt ezek a leghatékonyabb programok. A részleges töltet a felét jelenti az előírt töltetnek.

<sup>2)</sup> A 60 °C-os és 40 °C-os pamutprogram esetében teljes és részleges töltet mellett 220 normál mosási cikluson és az alacsony villamosenergia-fogyasztású üzemmódokon alapul. A tényleges energiafogyasztás a készülék üzemeltetési módjától függ.

<sup>3)</sup> A 60 °C-os és 40 °C-os pamutprogram esetében teljes és részleges töltet mellett 220 normál mosási cikluson alapul. A tényleges vízfogyasztás a készülék üzemeltetési módjától függ.

<sup>4)</sup> A normál 60 °C-os pamutprogram esetén teljes és részleges töltet mellett vagy a normál 40 °C-os pamutprogram esetén részleges töltet mellett elért legnagyobb centrifugálási sebesség attól függően, hogy melyik az alacsonyabb.

<sup>5)</sup> A normál 60 °C-os pamutprogram esetén teljes és részleges töltet mellett vagy normál 40 °C-os pamutprogram esetén részleges töltet mellett elért maradék nedvességtartalom attól függően, hogy melyik a nagyobb.

<sup>6)</sup> A normál 60 °C-os pamutprogram mosási és centrifugálási fázisa esetében teljes töltet mellett

RO

Română

WMD 722

### Sumar

#### Instalare, 38-39

Despachetare și punere la nivel  
Racorduri hidraulice și electrice  
Primul ciclu de spălare  
Date tehnice

#### Întreținere și curățare, 40

Înteruperea alimentării cu apă și curent electric  
Curățarea mașinii de spălat  
Curățarea compartimentului pentru detergent  
Îngrijirea ușii și a tamburului  
Curățarea pompei  
Controlarea furtunului de alimentare cu apă

#### Precauții și sfaturi, 41

Norme de protecție și siguranță generale  
Aruncarea reziduurilor

#### Descrierea mașinii de spălat, 42-43

Panoul de control  
Display

#### Cum se desfășoară un ciclu de spălare, 44

#### Programe și funcții, 45

Tabel de programe  
Funcții de spălare

#### Detergenți și rufe albe, 46

Compartimentul pentru detergenți  
Pregătirea rufelor  
Programe optionale  
Sistemul de echilibrare a încărcăturii

#### Anomalii și remedii, 47

#### Asistență, 48

# Instalare

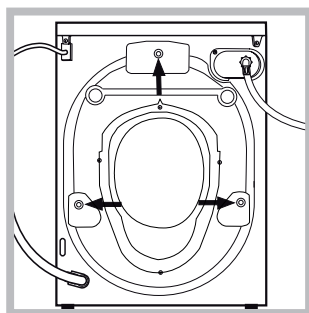
RO

! Este important să păstrați acest manual pentru a-l putea consulta în orice moment. În caz de vânzare, de cesiune sau de schimbare a locuinței, acesta trebuie să rămână împreună cu mașina de spălat pentru a informa noul proprietar cu privire la funcționare și la respectivele avertismente.

! Citiți cu atenție instrucțiunile: veți găsi informații importante cu privire la instalare, la folosire și la siguranță.

## Despachetare și punere la nivel Despachetare

1. Scoaterea din ambalaj a mașinii de spălat.  
2. Controlați ca mașina de spălat să nu fi fost deteriorată în timpul transportului. Dacă este deteriorată, nu o conectați și contactați agentul de vânzare.



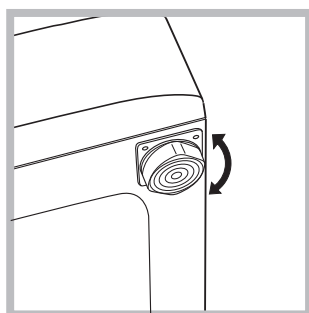
3. Scoateți cele 3 șuruburi de protecție pentru transport și cauciucul cu distanțierul respectiv, situate în partea posterioară (a se vedea figura).

4. Închideți orificiile cu dopurile din plastic aflate în dotare.  
5. Păstrați toate piesele: pentru cazul în care mașina de spălat va trebui să fie transportată, piesele vor trebui montate din nou.

! Ambalajele nu sunt jucării pentru copii!

## Punere la nivel

1. Instalați mașina de spălat pe un paviment plan și rigid, fără a o sprijini de ziduri, mobilă sau altceva.



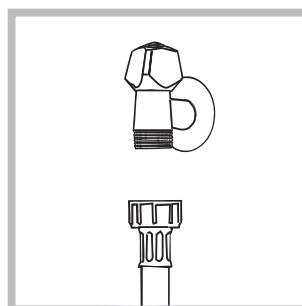
2. Dacă podeaua nu este perfect orizontală, compensați neregularitățile deșurubând sau înșurubând picioarele anterioa-

re (a se vedea figura); unghiul de înclinare, măsurat pe planul de lucru, nu trebuie să depășească 2°.

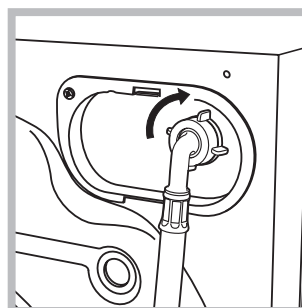
O nivelare precisă conferă stabilitate mașinii și evită vibrații, zgomote și deplasări pe timpul funcționării. În cazul mochetelor sau a unui covor, reglați picioarele astfel încât să mențineți sub mașina de spălat un spațiu suficient pentru ventilare.

## Racorduri hidraulice și electrice

### Racordarea furtunului de alimentare cu apă



1. Conectați furtunul de alimentare, înșurubându-l la un robinet de apă rece cu gura filetată de 3/4 gaz (a se vedea figura). Înainte de conectare, lăsați apa să curgă până când nu a devenit limpede.



2. Conectați tubul de alimentare la mașina de spălat, înșurubându-l la priza de apă respectivă, amplasată în partea posterioară, sus în dreapta (a se vedea figura).

3. Fiți atenți ca furtunul să nu fie nici pliat, nici îndoit.

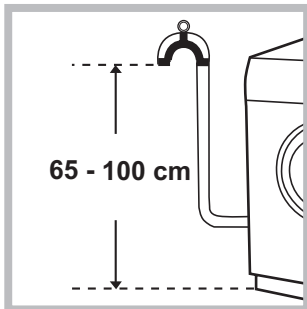
! Presiunea apei de la robinet trebuie să fie cuprinsă în valorile din tabelul cu Date tehnice (a se vedea pagina alăturată).

! Dacă lungimea furtunului de alimentare nu este suficientă, adresați-vă unui magazin specializat sau unui instalator autorizat.

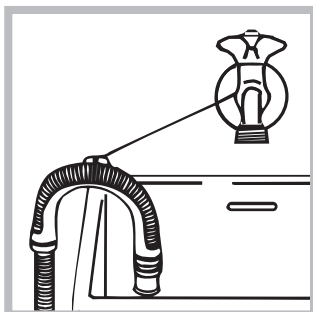
! Nu folosiți niciodată tuburi folosite deja.

! Utilizați tuburile furnizate cu mașina.

## Conectarea furtunului de golire



Conectați furtunul de evacuare, fără al îndoii, la o conductă sau la o gură de evacuare în zid, situate între 65 și 100 cm de pământ;



sau sprijiniți pe marginea unei chiuvete sau a unei căzi, legând elementul de ghidare la robinet (a se vedea figura). Capătul liber al furtunului de golire nu trebuie să rămână cufundat în apă.

! Nu se recomandă folosirea furtunurilor prelungitoare; dacă este indispensabil, acestea trebuie să aibă același diametru ca și furtunul original și nu trebuie să depășească 150 cm lungime.

## Racordarea electrică

Înainte de a introduce ștecherul în priza de curent, asigurați-vă că:

- priza să fie cu împământare și conformă prevederilor legale;
- priza să poată suporta sarcina maximă de putere a mașinii, indicată în tabelul cu Date tehnice (a se vedea alături);
- tensiunea de alimentare să fie cuprinsă în valorile indicate în tabelul cu Date tehnice (a se vedea alături);
- priza să fie compatibilă cu ștecărul mașinii de spălat. În caz contrar înlocuiți priza sau ștecărul.

! Mașina de spălat nu trebuie instalată afară, nici chiar în cazul în care spațiul este adăpostit, deoarece este foarte periculoasă expunerea mașinii la ploii și furtuni.

! După instalarea mașinii de spălat, priza de curent trebuie să fie ușor accesibilă.

! Nu folosiți prelungitoare și prize multiple.

! Cablul nu trebuie să fie îndoit sau comprimat.

! Cablul de alimentare trebuie să fie înlocuit doar de instalatorii autorizați.

Atenție! Firma își declină orice responsabilitate în cazul în care aceste norme nu se respectă.

## Primul ciclu de spălare

După instalare, înainte de folosire, efectuați un ciclu de spălare cu detergent și fără rufe, selectând programul „AUTOCURĂȚARE” (a se vedea „Curățarea mașinii de spălat”).

### Date tehnice

<b>Model</b>	WMD 722
<b>Dimensiuni</b>	lărgime: 59,5 cm înălțime: 85 cm profundime: 52,2 cm
<b>Capacitate</b>	De la 1 la 7 kg pentru spălare
<b>Legături electrice</b>	vezi eticheta cu caracteristicile tehnice, aplicată pe mașină
<b>Legături hidrice</b>	presiune maximă: 1 MPa (10 bari) presiune minimă: 0,05 MPa (0,5 bari) capacitatea cuvei: 46 litri
<b>Turația de centrifugare</b>	până la 1200 de rotații pe minut
<b>Programe de control conform reglementările 1061/2010 și 1015/2010</b>	programul ◻ (60°) (prima apăsare a butonului); Standard Bumbac 60°. programul ◻ (40°) (a doua apăsare a butonului); Standard Bumbac 40°.



Acest aparat este conform cu următoarele Directive Comunitare: e  
- 2004/108/CE (Compatibilitate Electromagnetică)  
- 2012/19/EU (WEEE)  
- 2006/95/CE (Tensiuni Joase)

# Întreținere și curățare

RO

## Înteruperea alimentării cu apă și curent electric

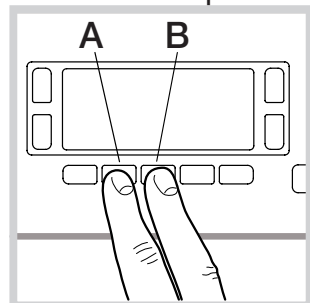
- Închideți robinetul de apă după fiecare spălare. Se limitează astfel uzura instalației hidraulice a mașinii de spălat și se elimină pericolul scurgerilor.
- Scoateți stecherul din priza de curent atunci când curățați mașina de spălat și când se efectuează lucrări de întreținere.

## Curățarea mașinii de spălat

• Partea externă și părțile din cauciuc pot fi curățate cu o lavetă înmuiată în apă caldută și săpun. Nu folosiți solvenți sau substanțe abrazive.

• Mașina de spălat este prevăzută cu un program de „AUTOCURĂȚARE” a pieselor interne care trebuie realizat **fără niciun fel de încărcătură în cuvă**.

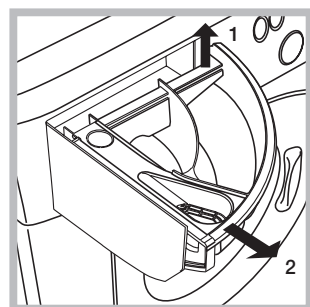
Detergentul (în cantitate de 10% din cea recomandată pentru rufe puțin murdare) sau aditivii specifici pentru curățarea mașinii de spălat pot fi folosite ca mijloace auxiliare în programul de spălare. Se recomandă efectuarea programului de curățare la fiecare 40 de cicluri de spălare.



Pentru a activa programul, apăsați butoanele **A** și **B** în același timp pentru 5 secunde (a se vedea figura).

Programul pornește automat și durează aproximativ 70 de minute. Pentru a termina ciclul, apăsați butonul START/PAUSE.

## Curățarea compartimentului pentru detergent



Trageți afara compartimentul ridicându-l și tragându-l spre exterior (a se vedea figura).

Spălați-l sub un jet de apă; această operație trebuie efectuată cât mai des posibil.

## Îngrijirea ușii și a tamburului

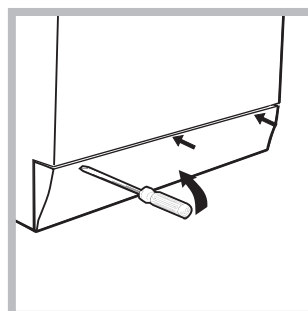
- Lăsați mereu ușa întredeschisă pentru a evita formarea de mirosuri neplăcute.

## Curățarea pompei

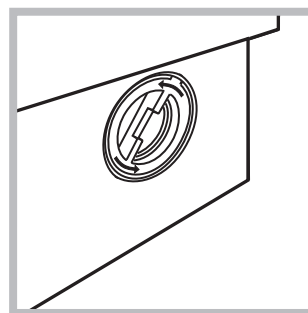
Mașina de spălat este dotată cu o pompă de autocurățare care nu are nevoie de întreținere. Se poate întâmpla însă ca unele obiecte mici (monede, nasturi) să cadă în anticamera care protejează pompa, situată în partea inferioară a acesteia.

! Verificați ca ciclul de spălare să fie încheiat și scoateți stecherul din priză.

Pentru a avea acces la anticameră:



1. scoateți panoul de acoperire din partea din față a mașinii de spălat folosind o șurubelniță (a se vedea figura);



2. deșurubați capacul rotindu-l în sens invers acelor de ceasornic (a se vedea figura). Este normal să iasă puțină apă;

3. curățați cu grijă interiorul;
4. înșurubați la loc capacul;
5. montați din nou panoul verificând, înainte de a-l împinge spre mașină, de a fi introdus cârligele în orificiile respective.

## Controlarea furtunului de alimentare cu apă

Controlați tubul de alimentare cel puțin o dată pe an. Dacă prezintă crăpături sau fisuri trebuie înlocuit: pe parcursul spălărilor, presiunea puternică ar putea provoca crăpături neașteptate.

! Nu folosiți niciodată tuburi folosite deja.



! Mașina de spălat a fost proiectată și construită conform normelor internaționale de protecție. Aceste avertizări sunt furnizate din motive de siguranță și trebuie să fie citite cu atenție.

## Siguranța generală

- Acest aparat a fost conceput exclusiv pentru utilizarea în locuințe.
- Aparatul nu trebuie utilizat de către persoane (inclusiv Aparat aparat poate fi folosit de copii începând cu vârsta de 8 ani și de persoane cu capacități fizice, senzoriale sau mentale reduse sau cu experiență și cunoștințe insuficiente dacă sunt supravegheate sau dacă au primit o pregătire adecvată privind folosirea aparatului în mod sigur și înțelegând pericolele respective. Copiii nu trebuie să se joace cu aparatul. Întreținerea și curățarea nu trebuie să fie efectuate de copii fără supraveghere.
- Mașina de spălat trebuie să fie folosită doar de persoane adulte care respectă instrucțiunile din acest manual.
- Nu atingeți mașina când sunteți desculți sau cu mâinile sau picioarele ude sau umede.
- Nu scoateți ștecherul din priză trăgând de cablu, ci apucând ștecherul.
- Nu deschideți sertarul detergenților în timp ce mașina se află în funcțiune.
- Nu atingeți apa de evacuare: poate avea o temperatură ridicată.
- Nu forțați în nici un caz ușa: s-ar putea deteriora mecanismul de siguranță care evită deschiderea accidentală.
- În caz de defecțiune, nu umblați în niciun caz la mecanismele din interior și nu încercați să o reparați singuri.
- Controlați mereu ca în apropierea mașinii aflate în funcțiune, să nu se afle copii.
- Pe durata spălării ușa se poate încălzi.
- Dacă trebuie să deplasați mașina, cereți ajutor unei alte (sau 2) persoane și fiți foarte atenți. Niciodată nu deplasați mașina singuri deoarece aceasta este foarte grea.
- Înainte de a introduce rufe, controlați ca și cuva să fie goală.

## Scoaterea din uz

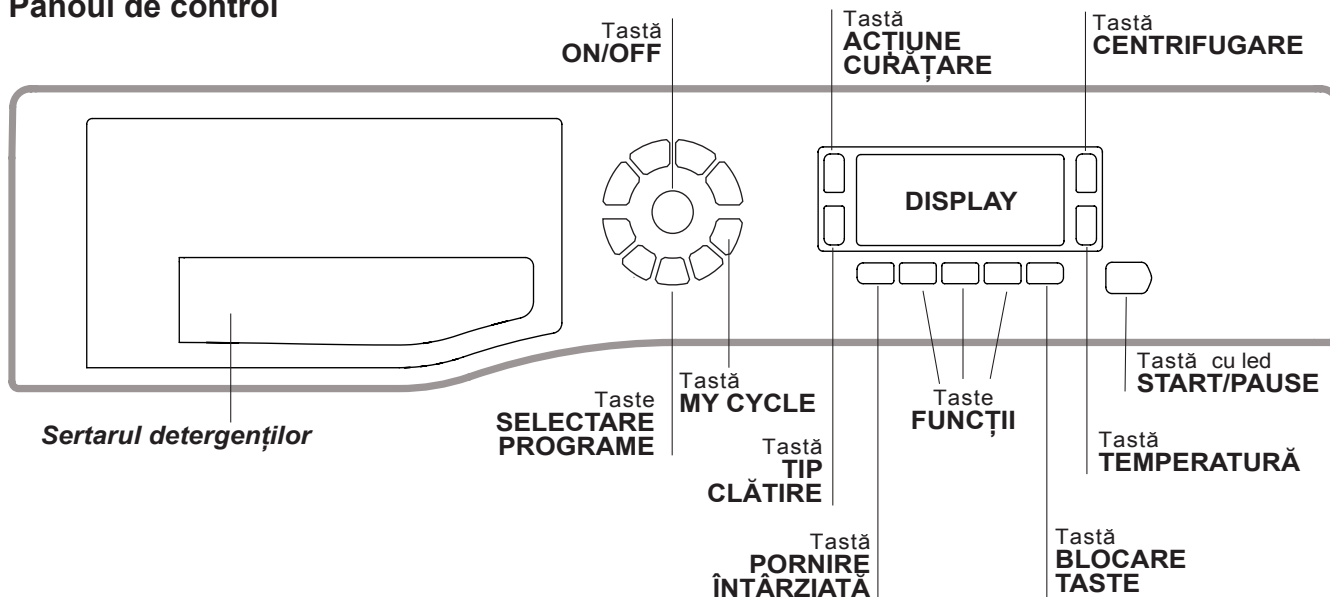
- Eliminarea ambalajelor: respectați reglementările locale, în acest fel ambalajele vor putea fi refolosite.
- Directiva Europeană 2012/19/EU - WEEE cu privire la deșeurile care provin de la aparatura electrică sau electronică prevede ca aparatele electrocasnice să nu fie colectate împreună cu deșeurile urbane solide, obișnuite. Aparatele scoase din uz trebuie să fie colectate separat atât pentru a optimiza rata de recuperare și de reciclare a materialelor componente cât și pentru a evita pericolele care pot afecta sănătatea omului sau polua mediul înconjurător. Simbolul tomberonului tăiat care apare pe toate produsele vă amintește tocmai obligația de a le

colecta separat. Pentru informații suplimentare cu privire la scoaterea din uz a electrocasnicelor, deținătorii acestora pot apela la centrele de colectare a deșeurilor sau la vânzătorii de la care au achiziționat produsele respective.


# Descrierea mașinii de spălat

RO

## Panoul de control



**Sertarul detergenților:** pentru a introduce detergenți sau aditivi (a se vedea "Detergenți și rufe albe").


**Tastă ON/OFF** : apăsați scurt tasta pentru a porni sau opri mașina de spălat. Indicatorul START/PAUSE emite un semnal intermitent de culoare verde, ceea ce vă confirmă pornirea mașinii. Pentru a opri funcționarea mașinii de spălat în timpul spălării, este necesar să țineți apăsată tasta circa 3 secunde; o apăsare de scurtă durată sau accidentală nu va opri mașina. Oprirea mașinii de spălat în timpul executării unui ciclu va anula programul în curs de desfășurare.


**Taste SELECTARE PROGRAME:** pentru a alege programul dorit (a se vedea "Tabel de programe").

**Tastă MY CYCLE:** țineți apăsată tasta pentru a introduce în memorie un ciclu personalizat după preferință. Pentru a activa un ciclu memorat anterior, apăsați tasta MY CYCLE.



**Taste FUNCȚII:** apăsați tasta pentru a alege funcția dorită. Pe display veți observa aprinderea indicatorului luminos.

**Tastă ACȚIUNE CURĂȚARE** : apăsați pentru a selecta intensitatea dorită de spălare.

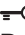
**Tastă TIP CLĂTIRE** : apăsați pentru a selecta tipul dorit de clătire.

**Tastă CENTRIFUGARE** : apăsați tasta pentru a reduce numărul de rotații sau a opri storcerea; numărul de turații se poate vedea pe display.

**Tastă TEMPERATURĂ** : apăsați pentru a micșora temperatura; valoarea va fi indicată pe display.

**Tastă BLOCARE TASTE** : pentru a **bloca** panoul de comandă, țineți apăsată tasta timp de 2 secunde. Dacă ledul  corespunzător este aprins, atunci panoul de comenzi este blocat (cu excepția buton ON/OFF). În acest fel, se evită modificarea accidentală a unui program, în special de către copii. Pentru a **debloca** panoul de comandă, țineți apăsată tasta timp de 2 secunde.

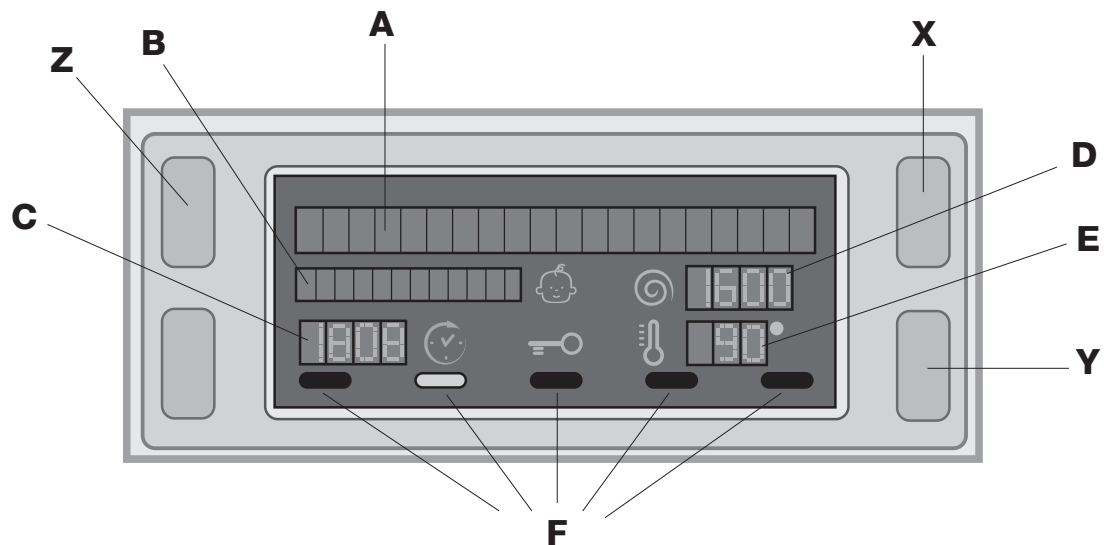
**Tastă PORNIRE ÎNTĂRZIATĂ** : apăsați pentru a programa pornirea mașinii la o anumită oră. Întârzierea va fi indicată pe display.

**Tastă cu led START/PAUSE:** când ledul verde emite un semnal intermitent, apăsați tasta pentru a porni ciclul de spălare. După activarea ciclului, ledul rămâne aprins. Pentru a introduce o pauză în timpul spălării, apăsați din nou tasta: ledul va emite o lumină intermitentă, de culoare portocalie. După stingerea indicatorului luminos =O, puteți deschide ușa (așteptați aproximativ 3 minute). Pentru a continua spălarea, de unde a fost întreruptă, apăsați din nou tasta.

### Modalitatea de stand by

Această mașină de spălat rufe, conform noilor norme legate de economia de curent electric, este dotată cu un sistem de oprire automat (stand-by) care intră în funcțiune după 30 minute de neutilizare. Apăsați scurt tasta ON/OFF și așteptați repunerea în funcțiune a mașinii.

## Display



Ecranul este util pentru a programa mașina și a furniza numeroase informații.

Pe cele două rânduri de sus, **A** și **B**, apar programul de spălare ales, faza de spălare în curs de desfășurare și toate indicațiile cu privire la stadiul de avansare a programului.

Rândul **C** este dedicat timpului restant până la încheierea ciclului de spălare sau – dacă ați programat pornirea mașinii la o anumită oră (PORNIRE ÎNTÂRZIATĂ) – timpul restant până la inițierea spălării.

Pe rândul **D** apare viteza maximă a storcătorului -admisă de mașină -în funcție de programul ales; dacă programul nu include o fază de centrifugare, atunci rândul este întunecat.

Pe rândul **E** apare temperatura maximă care poate fi selectată în funcție de programul ales; dacă programul prevede spălarea la rece, atunci rândul este întunecat.

Indicatoarele **F** se referă la funcții și se aprind când funcția selectată este compatibilă cu programul ales.

### Indicator Ușă blocată

Simbolul aprins indică faptul că ușa este blocată, pentru a împiedica deschiderea accidentală. Pentru a evita daune este necesar să se aștepte ca simbolul să se stingă înainte de a deschide ușa (așteptați aproximativ 3 minute).

**N.B.:** dacă funcția PORNIRE ÎNTÂRZIATĂ este activă, ușa nu se poate deschide; pentru a o deschide, apăsați tasta START/PAUSE pentru a întrerupe momentan programarea.

**!** La punerea în funcțiune a mașinii (prima dată) vi se va cere să selectați limba; ecranul va afișa direct meniul de alegere limbă.

Pentru a alege limba dorită, apăsați tastele **X** și **Y** iar pentru a confirma alegerea, apăsați tasta **Z**.

Dacă doriți să schimbați limba, opriți mașina, apăsați în același timp pe butoanele **X**, **Y**, **Z** până când auziți un semnal acustic, va fi afișat din nou meniul de selectare a limbii.

# Cum se desfășoară un ciclu de spălare

RO

- 1. PUNEREA ÎN FUNCȚIUNE A MAȘINII.** Apăsăți tasta ; pe ecran va apărea mesajul PORNIRE ÎN CURS. Indicatorul START/PAUSE va emite un semnal intermitent de culoare verde.
- 2. INTRODUCEREA RUFELOR.** Deschideți ușa. Introduceți rufe în mașină, fiind atenți să nu depășiți cantitatea indicată în tabelul de programe (vezi pagina următoare).
- 3. DOZAREA DETERGENTULUI.** Extrageți sertarul și turnați detergent în compartimentele respective, după indicațiile din cap. „Detergenți și rufe albe”.
- 4. ÎNCHIDEȚI UȘA.**
- 5. ALEGEREA PROGRAMULUI.** Apăsăți una din tastele de SELECTARE PROGRAME pentru a alege programul dorit; numele programului va fi afișat pe ecran, împreună cu temperatura de spălare și viteza storcătorului, acestea din urmă putând fi modificate. Pe ecran va apărea și durata ciclului.
- 6. PERSONALIZAREA CICLULUI DE SPĂLARE.** Apăsăți tastele respective.

## **Modificare temperaturii și/sau a vitezei de stoarcere.**

Mașina selectează automat temperatura și viteza de stoarcere maxime, din cele prevăzute pentru programul ales; aceste valori nu pot fi mărite. Apăsând tasta se poate reduce progresiv temperatura până la excluderea completă a încălzirii apei, “OFF”, care corespunde cu spălarea la rece. Apăsând tasta puteți micșora treptat viteza de stoarcere, până la zero, anulând complet centrifuga “OFF”. Din acest moment, apăsarea ulterioară a tastelor va aduce valorile de temperatură și viteză de stoarcere la cele maxime prevăzute.

! Excepție: dacă selectați programul (60°C) (prima apăsare a butonului) temperatura poate fi crescută până la 90°.

## **Configurarea pornirii întârziată.**

Pentru a programa pornirea întârziată a mașinii, apăsăți tasta respectivă pentru a alege timpul de întârziere dorit. Când opțiunea este activă, pe ecran se va aprinde simbolul . Pentru a anula pornirea întârziată, apăsăți tasta până când pe ecran veți vedea mesajul OFF.

## **Reglați intensitatea dorită de spălare.**

Opțiunea permite optimizarea spălării în funcție de gradul de murdarie al țesăturilor și de intensitatea dorită a spălării.

Selectați programul de spălare, ciclul este reglat automat la nivelul „NORMAL”, optimizat pentru rufe cu grad normal de murdarie (această reglare nu este valabilă pentru ciclul „Lână”, care se reglează automat la nivelul „DELICATE”).

Pentru rufe foarte murdare apăsăți butonul până se ajunge la nivelul „EXTRA SPĂLARE”. Datorită utilizării unei cantități mai mari de apă în faza inițială a ciclului și a unei mișcări mecanice mai mari, această opțiune garantează o spălare de mare performanță și este utilă pentru eliminarea petelor rezistente. Poate fi utilizată **cu sau fără** înălbitor.

Dacă doriți să efectuați albirea, introduceți tăvița suplimentară **4**, din dotare, în tăvița **1**. Când dozați înălbitorul, nu depășiți nivelul „max” indicat pe pivotul central (a se vedea figura de la pag. 46).

Pentru rufe puțin murdare sau pentru un tratament mai delicat al țesăturilor, apăsăți butonul până

se ajunge la nivelul „DELICATE”. Ciclul va reduce mișcarea mecanică pentru a asigura rezultate perfecte de spălare pentru rufe delicate.

## **Reglați tipul de clătire.**

Opțiunea vă permite să selectați tipul de clătire dorit pentru îngrijirea maximă a pielii sensibile. Prima apăsare a butonului stabilește nivelul „EXTRA LIMPEZIRE” care vă permite să selectați o clătire suplimentară față de cele standard ale ciclului, pentru a elimina toate urmele de detergent. A doua apăsare a butonului stabilește nivelul „PIELE SENSIBILĂ” care vă permite să selectați două clătiri suplimentare față de cele standard ale ciclului și este recomandat pentru pielea foarte sensibilă. A treia apăsare a butonului stabilește nivelul „CLĂTIRE ANTIALERGIE” care vă permite să selectați trei clătiri suplimentare față de cele standard ale ciclului, pentru a elimina principalii alergeni, cum ar fi polenul, acarieni din praf, părul de pisică și de câine. Apăsăți butonul din nou pentru a reveni la tipul de clătire „LIMPEZIRE NORMALĂ”. Dacă nu se poate regla sau modifica reglarea existentă, pe ecran se va vizualiza „INACTIV”.

## **Modificarea caracteristicilor unui ciclu.**

- Apăsăți tasta pentru a activa funcția; ledul corespunzător butonului se va aprinde.
- Apăsăți din nou tasta pentru a dezactiva funcția; indicatorul luminos se va stinge.

! Dacă funcția selectată nu este compatibilă cu programul ales, ledul corespunzător se va aprinde intermitent iar funcția nu se va activa.

! Dacă funcția aleasă nu este compatibilă cu o funcție selectată anterior, indicatorul care corespunde primei funcții va emite un semnal intermitent iar indicatorul celei de a doua se va aprinde: acest lucru înseamnă că se va activa numai a doua funcție (ultima aleasă).

! Cantitatea de rufe admisă precum și durata ciclului pot varia în funcție de funcția aleasă.

- 7. ACTIVAREA UNUI PROGRAM.** Apăsăți tasta START/PAUSE. Indicatorul luminos se va aprinde (culoarea verde) și ușa se va bloca (simbolul UȘĂ BLOCATĂ se va aprinde). În timpul spălării, pe ecran va apărea numele fazei în curs de desfășurare. Pentru a modifica un program în timpul executării unui ciclu, apăsăți tasta START/PAUSE pentru a întrerupe momentan ciclul; indicatorul corespunzător tastei START/PAUSE se va aprinde intermitent (culoarea portocalie). Alegeți noul ciclu dorit și apăsăți din nou tasta START/PAUSE. Pentru a deschide ușa în timpul executării unui ciclu, apăsăți tasta START/PAUSE; când simbolul UȘĂ BLOCATĂ se stinge, puteți deschide ușa (așteptați aproximativ 3 minute). Apăsăți din nou tasta START/PAUSE pentru a relua programul de unde era oprit.
- 8. TERMINAREA PROGRAMULUI.** La încheierea ciclului, pe ecran va apărea mesajul “SFÂRȘITUL PROGRAMULUI”; când simbolul UȘĂ BLOCATĂ se stinge, puteți deschide ușa (așteptați aproximativ 3 minute). Deschideți ușa, scoateți rufe și opriți mașina de spălat.

! Dacă doriți să anulați un ciclu deja demarat, țineți apăsată tasta câteva secunde. Ciclul va înceta definitiv iar mașina se va opri.

## Tabel de programe

Programe	Descrierea Programului	Temp. max. (°C)	Viteza max. (rotații pe minut)	Detergenți				Sarcina Max. (Kg)	Umiditate reziduală%	Consum energie kWh	Apă totală lt	Durata ciclului de spălare
				Pre-spălare	Spălare	Decolorant	Balsam rufe					
	<b>ANTIPATĂ</b>	40°	1200	●	●	-	●	4	-	-	-	**
	<b>STANDARD BUMBAC 60° (1)</b> (prima apăsare a butonului): albe și colorate rezistente foarte murdare.	60° (Max. 90°)	1200	● (3)	●	●	●	7	53	1,07	52,5	195'
	<b>STANDARD BUMBAC 40° (2)</b> (a doua apăsare a butonului): colorate delicate puțin murdare.	40°	1200	-	●	●	●	7	53	0,81	76	185'
	<b>STANDARD BUMBAC 20°</b> (a treia apăsare a butonului): colorate delicate puțin murdare.	20°	1200	-	●	●	●	7	-	-	-	**
	<b>SINTETICE REZISTENTE</b> (prima apăsare a butonului): colorate rezistente foarte murdare.	60°	1000	●	●	●	●	3	44	0,78	33	120'
	<b>SINTETICE REZISTENTE (4)</b> (prima apăsare a butonului): colorate rezistente foarte murdare.	40°	1000	●	●	●	●	3	-	-	-	**
	<b>SINTETICE DELICATE</b> (a doua apăsare a butonului): colorate rezistente puțin murdare.	40°	1000	●	●	●	●	3	-	-	-	**
	<b>SPĂLARE RAPIDĂ 60'</b> (prima apăsare a butonului): pentru a spăla rapid articolele foarte murdare (nu este indicat pentru lână, matase și articole de spălat cu mână).	60°	1200	-	●	-	●	3,5	53	0,68	30	60'
	<b>SPĂLARE RAPIDĂ 30'</b> (a doua apăsare a butonului): pentru a spăla rapid articolele puțin murdare (nu este indicat pentru lână, matase și articole de spălat cu mână).	30°	800	-	●	-	●	3	70	0,17	31	30'
<b>M</b>	<b>MY CYCLE (MEMO):</b> permite memorarea oricărui tip de spălare.											
	<b>LENJERIE, PROSOAPE:</b> pentru prosoape și cearceafuri.	60°	1200	●	●	-	●	7	-	-	-	**
	<b>Woolmark Platinum (LÂNĂ):</b> pentru articole din lână, casmir.	40°	800	-	●	-	●	1,5	-	-	-	**
	<b>DELICATE</b>	30°	0	-	●	-	●	1	-	-	-	**
	<b>CENTRIFUGARE</b> (prima apăsare a butonului)	-	1200	-	-	-	-	7	-	-	-	**
	<b>CLĂTIRE</b> (a doua apăsare a butonului)	-	1200	-	-	-	●	7	-	-	-	**
	<b>EVACUARE</b> (a treia apăsare a butonului)	-	0	-	-	-	-	7	-	-	-	**

\*\* Puteți vizualiza durata programelor de spălare pe display.

Durata ciclului indicată pe display sau în carte este calculată în baza unor condiții standard. Timpul efectiv poate varia în baza a numeroși factori, precum temperatura și presiunea apei la intrare, temperatura mediului, cantitatea de detergent, cantitatea și tipul încărcăturii, echilibrarea încărcăturii, opțiunile suplimentare selectate.

(1) Programul de control conform reglementările 1061/2010: reglați programul la 60°C (prima apăsare a butonului).

Acest ciclu este potrivit pentru curățarea unei încărcături de bumbac cu grad de murdărie normal și este cel mai eficient din punct de vedere al consumului combinat de energie și apă; se folosește pentru articole de îmbrăcăminte care pot fi spălate la 60°C. Temperatura efectivă de spălare poate diferi de cea indicată.

(2) Programul de control conform reglementările 1061/2010: reglați programul la 40°C (a doua apăsare a butonului).

Acest ciclu este potrivit pentru curățarea unei încărcături de bumbac cu grad de murdărie normal și este cel mai eficient din punct de vedere al consumului combinat de energie și apă; se folosește pentru articole de îmbrăcăminte care pot fi spălate la 40°C. Temperatura efectivă de spălare poate diferi de cea indicată.

(3) La temperatura de 60°C funcția de "Prespălare" nu poate fi activată.

Pentru toate Instituțiile de Testare:

(2) Program pentru bumbac, prelungit: reglați programul la 40°C (a doua apăsare a butonului).

(4) Program sintetic lung: reglați programul la 60°C (prima apăsare a butonului); temperatura de 40°C (apăsăți tasta TEMPERATURĂ).

## Funcții de spălare

- Dacă funcția selectată nu este compatibilă cu programul ales, ledul corespunzător se va aprinde intermitent iar funcția nu se va activa.

- Dacă funcția aleasă nu este compatibilă cu o funcție selectată anterior, indicatorul care corespunde primei funcții va emite un semnal intermitent iar indicatorul celei de a doua se va aprinde: acest lucru înseamnă că se va activa numai a doua funcție (ultima aleasă).

### Prespălare

Această funcție este utilă pentru prespălarea rufelor, mai ales în scopul de a îndepărta petele rezistente.

**N.B.:** Adăugați detergent în sertarul respectiv.

### Călcare Ușoară

Selectând această opțiune, spălarea și centrifuga vor fi modificate în mod oportun, pentru a reduce plierea rufelor. La încheierea ciclului, mașina de spălat va efectua o rotație

lentă a coșului, indicatorul funcției CĂLCARE USOARA, ca și cel de START/PAUSE vor emite semnale intermitente (portocalii) iar pe display va apărea mesajul "SFÂRȘITUL PROGRAMULUI". Pentru a termina ciclul, apăsați tasta START/PAUSE sau tasta CĂLCARE USOARA.

### Eco Wash

Funcția Eco Wash contribuie la economia de energie, neîncălzind apa folosită pentru spălarea rufelor – un avantaj atât pentru mediul înconjurător, cât și pentru factura de curent electric. Într-adevăr, acțiunea mai puternică și consumul optimizat de apă garantează rezultate optime în aceeași durată medie a unui ciclu standard. Pentru a obține rezultate mai bune ale spălării, se recomandă folosirea unui detergent lichid.

# Detergenți și rufe albe

RO

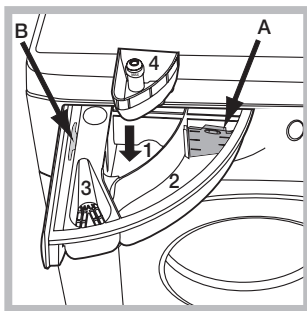
## Compartimentul pentru detergenți

Un rezultat bun la spălare depinde și de dozarea corectă a detergentului: excesul de detergent nu garantează o spălare mai eficientă, ci contribuie la deteriorarea părților interne ale mașinii de spălat și la poluarea mediului înconjurător.

! Utilizați detergenți praf pentru rufe albe de bumbac, pentru prespălare și pentru spălarea la temperaturi mai mari de 60°C.

! Respectați indicațiile de pe ambalajul detergentului.

! Nu introduceți în mașină detergenții pentru spălarea manuală deoarece formează prea multă spumă.



Deschideți compartimentul pentru detergenți și introduceți detergentul sau aditivul după cum urmează:

### compartiment 1: Detergent pentru prespălare (sub formă de praf)

Înainte de a adăuga detergentul verificați ca sertarul adițional 4 să nu fie introdus.

### compartiment 2: Detergent pentru spălare (sub formă de praf sau lichid)

Când utilizați detergent lichid este recomandat să folosiți peretele despărțitor **A** prevăzut pentru dozarea corectă. Pentru utilizarea de detergent praf puneți peretele despărțitor în cavitatea **B**.

### compartiment 3: Aditivi (soluție de înmuiat, balsam rufe etc.)

Soluția de înmuiat nu trebuie să iasă deasupra grătarului.

### compartiment adițional 4: Decolorant (Inălbitor)


## Pregătirea rufelor


- Sortați rufe în funcție de:
  - tipul de material / simbolul de pe etichetă.
  - culori: separați rufe colorate de cele albe.
- Goliți buzunarele și controlați nasturii.
- Nu depășiți valorile indicate, referite la greutatea rufelor uscate: a se vedea "Tabel de programe".

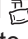
### Cât cântăresc rufe?

- 1 cearceaf 400-500 g.
- 1 față de pernă 150-200 g.
- 1 față de masă 400-500 g.
- 1 halat de baie 900-1.200 g.
- 1 prosop 150-250 g.

## Programe optionale


**ANTIPATĂ:** Programul  este potrivit pentru rufe foarte murdare, cu culori rezistente. Programul asigură o clasă de spălare superioară față de clasa standard (clasa A). Nu efectuați programul amestecând rufe de culori diferite. Se recomandă folosirea unui detergent praf. Pentru petele dificile se recomandă pre-tratamentul cu aditivi specifici.



**STANDARD BUMBAC** : ideal pentru rufe de bumbac murdare. Performanțele bune și la rece, comparabile cu o spălare la 40°, sunt garantate de o acțiune mecanică care lucrează prin varierea vitezei la intervale repetate și apropiate.

**LENJERIE, PROSOAPE:** pentru spălarea tuturor prosoapelor de baie și cearceafurilor de pat într-un singur ciclu, folosiți programul , care optimizează utilizarea balsamului și vă permite să realizați o mare economie de timp și de energie. Se recomandă folosirea unui detergent praf.

**LÂNĂ:** ciclul de spălare "Lână" al acestei mașini de spălat a fost testat și aprobat de Woolmark Company pentru spălarea articolelor de lână clasificate ca fiind lavabile de mână, cu condiția ca spălarea să se efectueze în conformitate cu instrucțiunile specificate pe eticheta articolului și cu indicațiile furnizate de producătorul acestei mașini de spălat.



**DELICATE:** folosiți programul  pentru spălarea rufelor foarte delicate, care au aplicații, cum ar fi strass sau piate.

Pentru a spăla articole din **mătase și perdele**, selectați ciclul  și reglați nivelul „DELICATE” al opțiunii . Se recomandă să întoarceți pe dos rufe înainte de spălare și să introduceți articolele mici într-un sac special pentru spălarea rufelor delicate.

Pentru cele mai bune rezultate, vă recomandăm utilizarea unui detergent lichid pentru rufe delicate.

## Sistemul de echilibrare a încărcăturii

Pentru a evita trepidațiile excesive, înainte de stocarea, cuva mașinii va distribui cantitatea de rufe în mod uniform, centrifuga efectuând câteva rotații la o viteză mai mare decât viteza de spălare. Dacă, după numeroase încercări, mașina nu reușește să echilibreze greutatea, stocarea rufelor se va face la o viteză mai mică decât cea prevăzută în program. Dacă instabilitatea este prea mare, mașina va distribui greutatea în locul centrifugei. Pentru a favoriza o mai bună repartizare a rufelor și echilibrarea corectă a mașinii, se recomandă să introduceți în mașină atât articole mari cât și mici.

Se poate întâmpla ca mașina de spălat să nu funcționeze. Înainte de a apela serviciul de Service (a se vedea *Asistență*), verificați dacă nu este vorba de o problemă ușor de rezolvat:

## Anomalii:

## Cauze posibile / Rezolvare:

### Mașina de spălat nu pornește.

- Stecherul nu este introdus în priză de curent, sau nu face contact.
- Aveți o pană de curent la domiciliu.

### Ciclul de spălare nu pornește.

- Ușa nu este bine închisă.
- Tasta ON/OFF nu a fost apăsată.
- Tasta START/PAUSE nu a fost apăsată.
- Robinetul de apă nu este deschis.
- A fost fixată o întârziere de pornire (a se vedea *“Cum se desfășoară un ciclu de spălare”*).

### Mașina de spălat nu se alimentează cu apă (Pe display va apărea mesajul “NU SE ALIMENTEAZĂ, DESCHIDEȚI ROBINETUL”).

- Furtunul de alimentare cu apă nu este racordat la robinet.
- Furtunul este îndoit.
- Robinetul de apă nu este deschis.
- Apa la domiciliul dumneavoastră.
- Apa nu are presiune suficientă.
- Tasta START/PAUSE nu a fost apăsată.

### Mașina de spălat încarcă și descarcă apă continuu.

- Furtunul de golire nu a fost instalat la o înălțime cuprinsă între 65 și 100 cm de pământ (a se vedea *“Instalare”*).
  - Capătul furtunului de evacuare este cufundat în apă (a se vedea *“Instalare”*).
  - Evacuarea din perete nu are răsuflare pentru aer.
- Dacă după aceste verificări problema nu se rezolvă, închideți robinetul de apă, opriți mașina de spălat și chemați Service-ul. Dacă locuința se află la ultimele etaje ale unui edificiu, este posibil să aibă loc fenomene de sifonare, motiv pentru care mașina de spălat încarcă și descarcă apă încontinuu. Pentru a elimina acest inconvenient, se găsesc în comerț supape anti-sifonare.

### Mașina de spălat nu se golește sau nu stoarce.

- Programul nu prevede golirea apei: în cazul anumitor programe, este necesară activarea manuală (a se vedea *“Programe și funcții”*).
- Funcția CĂLCARE UȘOARĂ este activă: pentru a încheia programul, apăsați tasta START/PAUSE (a se vedea *“Programe și funcții”*).
- Furtunul de golire este îndoit (a se vedea *“Instalare”*).
- Conducta de descărcare este înfundată.

### Mașina de spălat vibrează foarte mult în timpul stocării.

- Cuva, în momentul instalării, nu a fost deblocată în mod corespunzător (a se vedea *“Instalare”*).
- Mașina de spălat este în pantă (a se vedea *“Instalare”*).
- Mașina de spălat este prea aproape de pereți și mobilier (a se vedea *“Instalare”*).

### Mașina de spălat pierde apă.

- Furtunul de alimentare cu apă nu este bine înșurubat (a se vedea *“Instalare”*).
- Compartimentul de detergenți este înfundat (pentru a-l curăța a se vedea *“Întreținere și curățare”*).
- Furtunul de golire nu este bine fixat (a se vedea *“Instalare”*).

### Mașina este blocată iar ecranul se va aprinde intermitent semnalând un cod de anomalie (de ex., F-01, F-..).

- Opriți mașina și scoateți stecherul din priză; așteptați aproximativ 1 minut înainte de a o reaprindi. Dacă nu obțineți nici un rezultat, apelați Centrul de service pentru asistență.

### Se formează prea multă spumă.

- Detergentul nu este compatibil cu mașina de spălat (trebuie să fie scris „pentru mașina de spălat”, „de mână sau în mașina de spălat”, sau ceva asemănător).
- Dozajul a fost excesiv.

# Asistență

RO

## Înainte de a lua legătura cu Service-ul:

- Verificați dacă puteți rezolva singuri problema (*a se vedea "Anomalii și remedii"*);
  - Porniți din nou programul pentru a controla dacă inconvenientul a fost eliminat;
  - În caz negativ, luați legătura cu asistența tehnică autorizată la numărul telefonic indicat pe certificatul de garanție.
- ! Nu apelați niciodată la persoane neautorizate.

## Comunicați:

- tipul de anomalie;
- modelul mașinii (Mod.);
- numărul de serie (S/N).

Aceste informații sunt specificate pe plăcuța cu date tehnice, lipită în partea din spate a mașinii de spălat precum și în partea anterioară, după ce deschideți ușa.

## Atenționări în conformitate cu legislația în vigoare

- Conform prevederilor legislației privind gestionarea deșeurilor, este interzisă eliminarea deșeurilor de echipamente electrice și electronice (DEEE) alături de deșeurile municipale nesortate. Ele trebuie predate la punctele municipale de colectare, societățile autorizate de colectare/reciclare sau distribuitori (în cazul în care se achiziționează echipamente noi de același tip).
- Autoritățile locale trebuie să asigure spațiile necesare pentru colectarea selectivă a deșeurilor precum și funcționalitatea acestora. Contactați societatea de salubritate sau compartimentul specializat din cadrul primăriei pentru informații detaliate.
- Deșeurile de echipamente electrice și electronice pot fi predate și distribuitorilor, la achiziționarea de echipamente noi de același tip (schimb 1 la 1).
- Predarea, de către utilizatori, a deșeurilor de echipamente electrice și electronice, la punctele de colectare municipale, societățile autorizate de colectare/reciclare sau distribuitori (în cazul în care se achiziționează echipamente noi de același tip) facilitează refolosirea, reciclarea sau alte forme de valorificare a acestora.
- Deșeurile de echipamente electrice și electronice pot conține substanțe periculoase care pot avea un impact negativ asupra mediului și sănătății umane în cazul în care DEEE nu sunt colectate selectiv și gestionate conform prevederilor legale.
- Simbolul alăturat (o pubela cu roți, barata cu două linii în forma de X), aplicat pe un echipament electric sau electronic, semnifică faptul că acesta face obiectul unei colectări separate și nu poate fi eliminat împreună cu deșeurile municipale nesortate.



## REGULAMENTUL DELEGAT (UE) NR. 1061/2010 AL COMISIEI

Marca	HOTPOINT/ARISTON
Modelul	WMD 722B EU.M
Capacitatea nominală exprimată în kg de rufe din bumbac	7
Clasa de eficiență energetică pe o scară de la A+++ (consum redus) la G (consum ridicat)	A++
Consumul de energie anual exprimat în kWh <sup>1)</sup>	197
Consumul de energie la programul de spălare rufe din bumbac standard la 60 °C la capacitate maximă exprimat în kWh <sup>2)</sup>	1.079
Consumul de energie la programul de spălare rufe din bumbac standard la 60 °C la capacitate parțială exprimat în kWh <sup>2)</sup>	0.726
Consumul de energie la programul de spălare rufe din bumbac standard la 40 °C la capacitate parțială exprimat în kWh <sup>2)</sup>	0.711
Consumul de energie în modul off (oprit) exprimat în W	0.5
Consumul de energie în modul left-on (rămas în funcțiune) exprimat în W	8
Consumul de apă anual exprimat în litri <sup>3)</sup>	9000
Clasa de eficiență la centrifugare pe o scară de la G (eficiență minimă) la A (eficiență maximă)	B
Numărul maxim de rotații <sup>4)</sup>	1200
Conținutul de apă rămas <sup>5)</sup>	53.0%
Durata programului de spălare rufe din bumbac standard la 60 °C la capacitate maximă exprimată în minute.	195
Durata programului de spălare rufe din bumbac standard la 60 °C la capacitate parțială exprimată în minute.	155
Durata programului de spălare rufe din bumbac standard la 40°C la capacitate parțială exprimată în minute.	150
Durata modului left-on (rămas în funcțiune) exprimată în minute	30
Nivelul de zgomot exprimat în dB(A) re 1 pW spălare <sup>6)</sup>	62
Nivelul de zgomot exprimat în dB(A) re 1 pW centrifugare <sup>6)</sup>	83
Model încorporat	

<sup>1)</sup> "Programul de spălare rufe din bumbac standard la 60 °C la capacitate maximă și parțială și "programul de spălare rufe din bumbac standard la 40 °C la capacitate parțială sunt programele de spălare standard la care fac referire informațiile de pe etichetă și din fișa produsului. Programul de spălare rufe din bumbac standard la 60 °C și programul de spălare rufe din bumbac standard la 40 °C sunt adecvate pentru spălarea rufelor din bumbac cu grad de murdărie normal și sunt cele mai eficiente programe din punct de vedere al consumului combinat de energie și apă. Încărcarea parțială reprezintă jumătate din încărcarea nominală.

<sup>2)</sup> Pe baza programelor cu 220 de cicluri de spălare rufe din bumbac standard la 60°C și 40°C la încărcare maximă și parțială, și a consumului modurilor cu consum redus. Consumul real de energie va depinde de modul în care este utilizat aparatul.

<sup>3)</sup> Pe baza programelor cu 220 de cicluri de spălare rufe din bumbac standard la 60°C și 40°C la capacitate maximă și parțială. Consumul real de apă va depinde de modul în care este utilizat aparatul.

<sup>4)</sup> Pentru programul de spălare rufe standard la 60 °C la încărcare maximă și parțială sau la 40°C la încărcare parțială, oricare dintre acestea este mai scăzut.

<sup>5)</sup> S-a obținut pentru programul de spălare rufe din bumbac standard la 60 °C la încărcare maximă și parțială sau la 40°C la încărcare parțială, oricare dintre acestea este mai ridicat.

<sup>6)</sup> Pe baza fazelor de spălare și centrifugare pentru programul de spălare rufe din bumbac standard la 60 °C la încărcare maximă.



IT

Italiano

WMD 722

## Sommario

IT

### Installazione, 50-51

Disimballo e livellamento  
Collegamenti idraulici ed elettrici  
Primo ciclo di lavaggio  
Dati tecnici

### Manutenzione e cura, 52

Escludere acqua e corrente elettrica  
Pulire la lavabiancheria  
Pulire il cassetto dei detersivi  
Curare oblò e cestello  
Pulire la pompa  
Controllare il tubo di alimentazione dell'acqua

### Precauzioni e consigli, 53

Sicurezza generale  
Smaltimento

### Descrizione della lavabiancheria, 54-55

Pannello di controllo  
Display

### Come effettuare un ciclo di lavaggio, 56

### Programmi e funzioni, 57

Tabella dei programmi  
Funzioni di lavaggio

### Detersivi e biancheria, 58

Cassetto dei detersivi  
Preparare la biancheria  
Programmi particolari  
Sistema bilanciamento del carico

### Anomalie e rimedi, 59

### Assistenza, 60

Assistenza Attiva 7 giorni su 7

**Hotpoint**  
ARISTON

# Installazione

IT

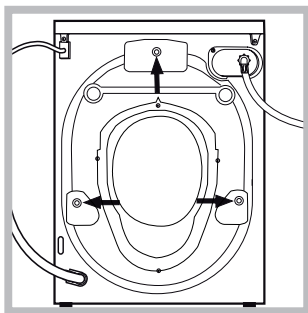
! È importante conservare questo libretto per poterlo consultare in ogni momento. In caso di vendita, di cessione o di trasloco, assicurarsi che resti insieme alla lavabiancheria per informare il nuovo proprietario sul funzionamento e sui relativi avvertimenti.

! Leggere attentamente le istruzioni: ci sono importanti informazioni sull'installazione, sull'uso e sulla sicurezza.

## Disimballo e livellamento

### Disimballo

1. Disimballare la lavabiancheria.
2. Controllare che la lavabiancheria non abbia subito danni nel trasporto. Se fosse danneggiata non collegarla e contattare il rivenditore.



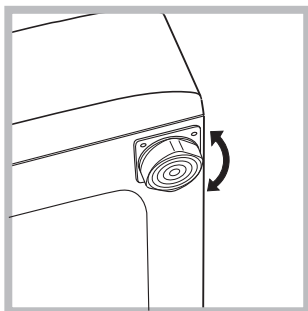
3. Rimuovere le 3 viti di protezione per il trasporto e il gommino con il relativo distanziale, posti nella parte posteriore (vedi figura).

4. Chiudere i fori con i tappi di plastica in dotazione.
5. Conservare tutti i pezzi: qualora la lavabiancheria debba essere trasportata, dovranno essere rimontati.

! Gli imballaggi non sono giocattoli per bambini.

### Livellamento

1. Installare la lavabiancheria su un pavimento piano e rigido, senza appoggiarla a muri, mobili o altro.

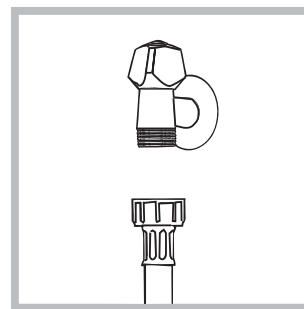


2. Se il pavimento non fosse perfettamente orizzontale, compensare le irregolarità svitando o avvitando i piedini anteriori (vedi figura); l'angolo di inclinazione, misurato sul piano di lavoro, non deve superare i 2°.

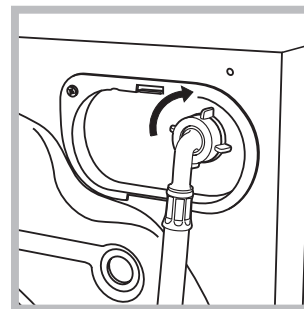
Un accurato livellamento dà stabilità alla macchina ed evita vibrazioni, rumori e spostamenti durante il funzionamento. In caso di moquette o di un tappeto, regolare i piedini in modo da conservare sotto la lavabiancheria uno spazio sufficiente per la ventilazione.

## Collegamenti idraulici ed elettrici

### Collegamento del tubo di alimentazione dell'acqua



1. Collegare il tubo di alimentazione avvitandolo a un rubinetto d'acqua fredda con bocca filettata da 3/4 gas (vedi figura). Prima di allacciare, far scorrere l'acqua finché non sia limpida.



2. Collegare il tubo di alimentazione alla lavabiancheria avvitandolo all'apposita presa d'acqua, nella parte posteriore in alto a destra (vedi figura).

3. Fare attenzione che nel tubo non ci siano né pieghe né strozzature.

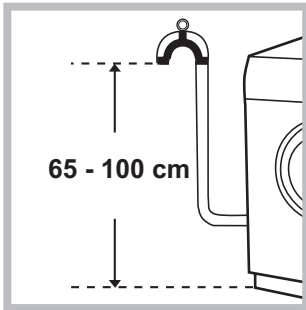
! La pressione idrica del rubinetto deve essere compresa nei valori della tabella Dati tecnici (vedi pagina a fianco).

! Se la lunghezza del tubo di alimentazione non fosse sufficiente, rivolgersi a un negozio specializzato o a un tecnico autorizzato.

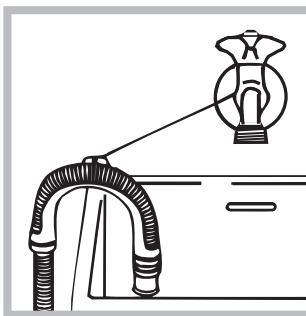
! Non utilizzare mai tubi già usati.

! Utilizzare quelli in dotazione alla macchina.

## Collegamento del tubo di scarico



Collegare il tubo di scarico, senza piegarlo, a una conduttura di scarico o a uno scarico a muro posti tra 65 e 100 cm da terra;



oppure appoggiarlo al bordo di un lavandino o di una vasca, legando la guida in dotazione al rubinetto (vedi figura). L'estremità libera del tubo di scarico non deve rimanere immersa nell'acqua.

! È sconsigliato usare tubi di prolunga; se indispensabile, la prolunga deve avere lo stesso diametro del tubo originale e non superare i 150 cm.

## Collegamento elettrico

Prima di inserire la spina nella presa della corrente, accertarsi che:

- la presa abbia la messa a terra e sia a norma di legge;
- la presa sia in grado di sopportare il carico massimo di potenza della macchina, indicato nella tabella Dati tecnici (vedi a fianco);
- la tensione di alimentazione sia compresa nei valori indicati nella tabella Dati tecnici (vedi a fianco);
- la presa sia compatibile con la spina della lavabiancheria. In caso contrario sostituire la presa o la spina.

! La lavabiancheria non va installata all'aperto, nemmeno se lo spazio è riparato, perché è molto pericoloso lasciarla esposta a pioggia e temporali.

! A lavabiancheria installata, la presa della corrente deve essere facilmente raggiungibile.

! Non usare prolunghe e multiple.

! Il cavo non deve subire piegature o compressioni.





! Il cavo di alimentazione deve essere sostituito solo da tecnici autorizzati.

Attenzione! L'azienda declina ogni responsabilità qualora queste norme non vengano rispettate.

## Primo ciclo di lavaggio

Dopo l'installazione, prima dell'uso, effettuare un ciclo di lavaggio con detersivo e senza biancheria impostando il programma "Auto Pulizia" (vedi "Pulire la lavabiancheria")

### Dati tecnici

<b>Modello</b>	WMD 722
<b>Dimensioni</b>	larghezza cm 59,5 altezza cm 85 profondità cm 52,2
<b>Capacità</b>	da 1 a 7 kg
<b>Collegamenti elettrici</b>	vedi la targhetta caratteristiche tecniche applicata sulla macchina
<b>Collegamenti idrici</b>	pressione massima 1 MPa (10 bar) pressione minima 0,05 MPa (0,5 bar) capacità del cesto 46 litri
<b>Velocità di centrifuga</b>	sino a 1200 giri al minuto
<b>Programmi di controllo secondo i regolamenti 1061/2010 1015/2010</b>	programma  (60°C) (1ª pressione del tasto); Cotone Standard 60°C. programma  (40°C) (2ª pressione del tasto); Cotone Standard 40°C.
 	Questa apparecchiatura è conforme alle seguenti Direttive Comunitarie: - 2004/108/CE (Compatibilità Elettromagnetica) - 2012/19/EU (WEEE) - 2006/95/CE (Bassa Tensione)

# Manutenzione e cura

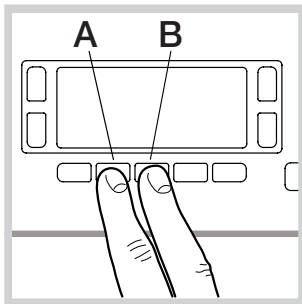
IT

## Escludere acqua e corrente elettrica

- Chiudere il rubinetto dell'acqua dopo ogni lavaggio. Si limita così l'usura dell'impianto idraulico della lavabiancheria e si elimina il pericolo di perdite.
- Staccare la spina della corrente quando si pulisce la lavabiancheria e durante i lavori di manutenzione.

## Pulire la lavabiancheria

- La parte esterna e le parti in gomma possono essere puliti con un panno imbevuto di acqua tiepida e sapone. Non usare solventi o abrasivi.
- La lavabiancheria è dotata di un programma di "Auto Pulizia" delle parti interne che deve essere effettuato **senza alcun tipo di carico nel cesto**.

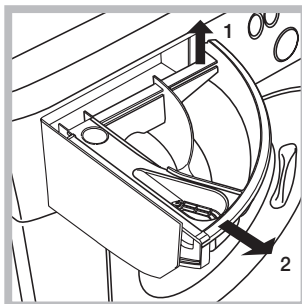


Il detersivo (nella quantità pari al 10% di quella consigliata per capi poco sporchi) o additivi specifici per la pulizia della lavabiancheria, potranno essere utilizzati come coadiuvanti nel programma di lavaggio. Si consiglia di effettuare il programma di pulizia

ogni 40 cicli di lavaggio.

Per attivare il programma premere contemporaneamente il tasto **A** e **B** per 5 sec. (vedi figura). Il programma partirà automaticamente ed avrà una durata di circa 70 minuti. Per fermare il ciclo premere il tasto START/PAUSE.

## Pulire il cassetto dei detersivi



Sfilare il cassetto sollevandolo e tirandolo verso l'esterno (vedi figura). Lavarlo sotto l'acqua corrente; questa pulizia va effettuata frequentemente.

## Curare oblò e cestello

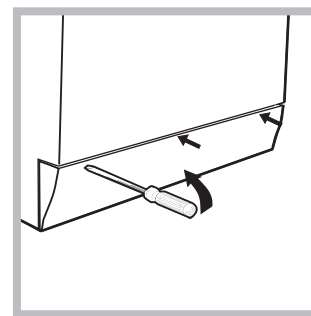
- Lasciare sempre socchiuso l'oblò per evitare che si formino cattivi odori.

## Pulire la pompa

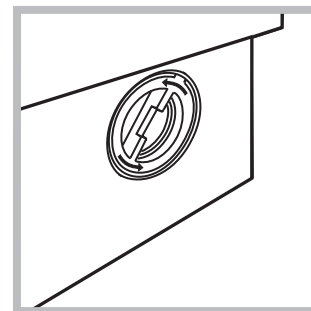
La macchina è dotata di una pompa autopulente che non ha bisogno di manutenzione. Può però succedere che piccoli oggetti (monete, bottoni) cadano nella precamera che protegge la pompa, situata nella parte inferiore di essa.

**!** Assicurarsi che il ciclo di lavaggio sia terminato e staccare la spina.

Per accedere alla precamera:



1. rimuovere il pannello di copertura sul lato anteriore della macchina con l'ausilio di un giravite (vedi figura);



2. svitare il coperchio ruotandolo in senso antiorario (vedi figura): è normale che fuoriesca un po' d'acqua;

3. pulire accuratamente l'interno;
4. riavvitare il coperchio;
5. rimontare il pannello assicurandosi, prima di spingerlo verso la macchina, di aver inserito i ganci nelle apposite asole.

## Controllare il tubo di alimentazione dell'acqua

Controllare il tubo di alimentazione almeno una volta all'anno. Se presenta screpolature e fessure va sostituito: durante i lavaggi le forti pressioni potrebbero provocare improvvise spaccature.

**!** Non utilizzare mai tubi già usati.

! La lavabiancheria è stata progettata e costruita in conformità alle norme internazionali di sicurezza. Queste avvertenze sono fornite per ragioni di sicurezza e devono essere lette attentamente.

## Sicurezza generale

- Questo apparecchio è stato concepito esclusivamente per un uso di tipo domestico.
- Questo apparecchio può essere usato da bambini da 8 anni in su e da persone con capacità fisiche, sensoriali o mentali ridotte o con esperienza e conoscenze insufficienti se sono supervisionati o se hanno ricevuto adeguata formazione in merito all'uso dell'apparecchio in modo sicuro e capendo i pericoli connessi. I bambini non devono giocare con l'apparecchio. Manutenzione e pulizia non devono essere effettuati dai bambini senza supervisione.
- Non toccare la macchina a piedi nudi o con le mani o i piedi bagnati o umidi.
- Non staccare la spina dalla presa della corrente tirando il cavo, bensì afferrando la spina.
- Non aprire il cassetto dei detersivi mentre la macchina è in funzione.
- Non toccare l'acqua di scarico, che può raggiungere temperature elevate.
- Non forzare in nessun caso l'oblò: potrebbe danneggiarsi il meccanismo di sicurezza che protegge da aperture accidentali.
- In caso di guasto, in nessun caso accedere ai meccanismi interni per tentare una riparazione.
- Controllare sempre che i bambini non si avvicinino alla macchina in funzione.
- Durante il lavaggio l'oblò tende a scaldarsi.
- Se dev'essere spostata, lavorare in due o tre persone con la massima attenzione. Mai da soli perché la macchina è molto pesante.
- Prima di introdurre la biancheria controlla che il cestello sia vuoto.

## Smaltimento

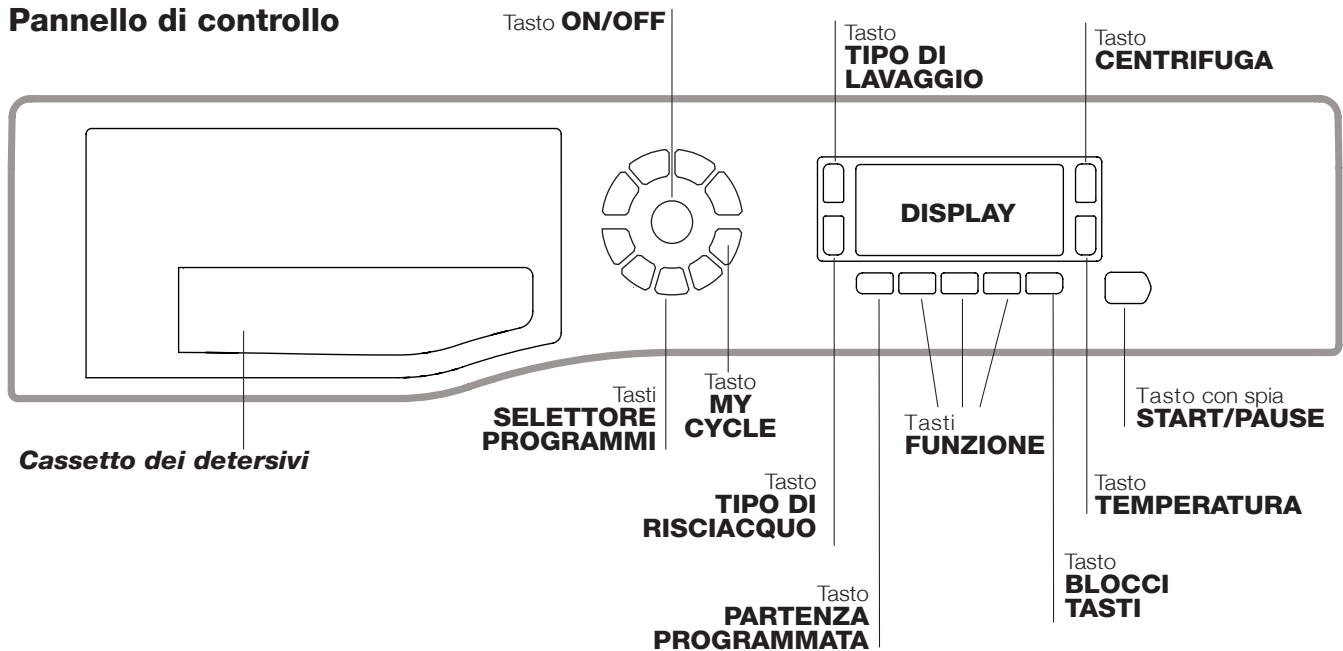
- Smaltimento del materiale di imballaggio: attenersi alle norme locali, così gli imballaggi potranno essere riutilizzati.
- La direttiva Europea 2012/19/EU (WEEE) sui rifiuti di apparecchiature elettriche ed elettroniche (RAEE), prevede che gli elettrodomestici non debbano essere smaltiti nel normale flusso dei rifiuti solidi urbani. Gli apparecchi dismessi devono essere raccolti separatamente per ottimizzare il tasso di recupero e riciclaggio dei materiali che li compongono ed impedire potenziali danni per la salute e l'ambiente.

Il simbolo del cestino barrato è riportato su tutti i prodotti per ricordare gli obblighi di raccolta separata. Quando si acquista una nuova apparecchiatura equivalente si può consegnare il RAEE al negoziante, che è tenuto a ritirarlo gratuitamente; i RAEE di "piccolissime dimensioni" (nessun lato sopra i 25 cm) possono essere consegnati gratuitamente ai negozianti anche se non si acquista nulla (solo nei negozi con superficie di vendita superiore a 400 mq). Per ulteriori informazioni sulla corretta dismissione degli elettrodomestici i detentori potranno rivolgersi al servizio pubblico preposto o ai rivenditori.


# Descrizione della lavabiancheria

IT

## Pannello di controllo



**Cassetto dei detersivi:** per caricare detersivi e additivi (vedi "Detersivi e biancheria").

Tasto **ON/OFF** : premere brevemente il tasto per accendere o spegnere la macchina. La spia START/PAUSE che lampeggia lentamente di colore verde indica che la macchina è accesa. Per spegnere la lavabiancheria durante il lavaggio è necessario tenere premuto il tasto più a lungo, circa 3 sec.; una pressione breve o accidentale non permetterà lo spegnimento della macchina.

Lo spegnimento della macchina durante un lavaggio in corso annulla il lavaggio stesso.

Tasti **SELETTORE PROGRAMMI:** per impostare il programma desiderato (vedi "Tabella dei programmi").

Tasto **MY CYCLE:** tenere premuto il tasto per memorizzare un ciclo e le proprie personalizzazioni preferite. Per richiamare un ciclo precedentemente memorizzato premere il tasto MY CYCLE.


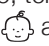
Tasti **FUNZIONE:** premere il tasto per selezionare la funzione desiderata. Sul display si illuminerà la spia relativa.

Tasto **TIPO DI LAVAGGIO** : premere per selezionare l'intensità di lavaggio desiderata.

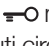
Tasto **TIPO DI RISCIAQUO** : premere per selezionare il tipo di risciacquo desiderato.

Tasto **CENTRIFUGA** : premere per ridurre o escludere del tutto la centrifuga; il valore viene indicato nel display.

Tasto **TEMPERATURA** : premere per ridurre la temperatura; il valore viene indicato nel display.

Tasto **BLOCCO TASTI** : per attivare il blocco del pannello di controllo, tenere premuto il tasto per circa 2 secondi. Il simbolo  acceso indica che il pannello di controllo è bloccato (ad eccezione del tasto ON/OFF). In questo modo si impediscono modifiche accidentali dei programmi, soprattutto se in casa ci sono dei bambini. Per disattivare il blocco del pannello di controllo, tenere premuto il tasto per circa 2 secondi.

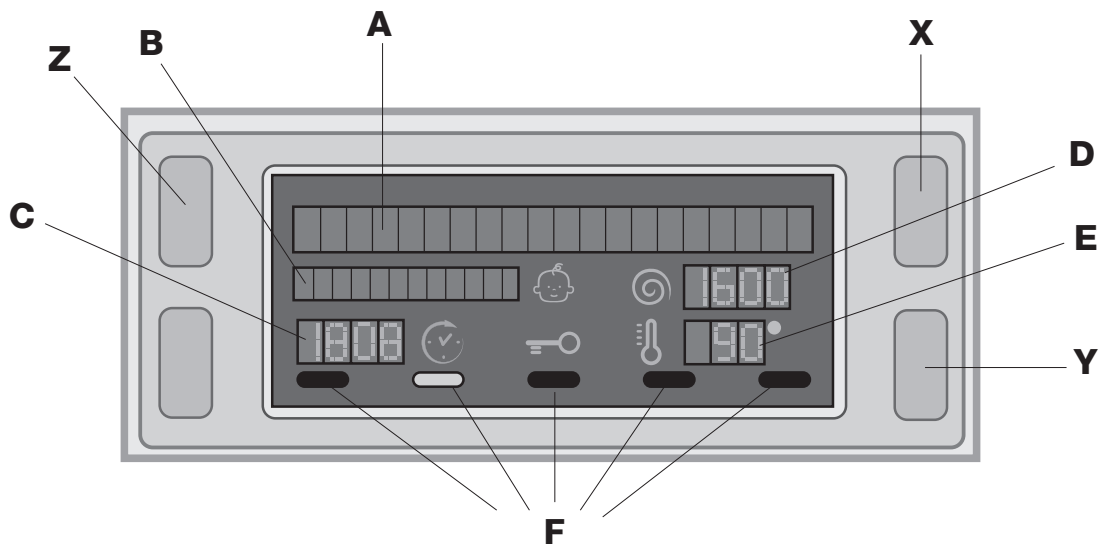
Tasto **PARTENZA RITARDATA** : premere per impostare una partenza ritardata del programma prescelto; il ritardo viene indicato nel display.

Tasto con spia **START/PAUSE:** quando la spia verde lampeggia lentamente, premere il tasto per avviare un lavaggio. A ciclo avviato la spia diventa fissa. Per mettere in pausa il lavaggio, premere nuovamente il tasto; la spia lampeggerà con colore arancione. Se il simbolo  non è illuminato, si potrà aprire l'oblò (attendere 3 minuti circa). Per far ripartire il lavaggio dal punto in cui è stato interrotto, premere nuovamente il tasto.

### Modalità di stand by

Questa lavatrice, in conformità alle nuove normative legate al risparmio energetico, è dotata di un sistema di autospegnimento (stand by) che entra in funzione dopo circa 30 minuti nel caso di non utilizzo. Premere brevemente il tasto ON/OFF e attendere che la macchina si riattivi.

## Display



Il display è utile per programmare la macchina e fornisce molteplici informazioni.

Nelle due stringhe superiori **A** e **B** vengono visualizzati il programma di lavaggio selezionato, la fase di lavaggio in corso e tutte le indicazioni relative allo stato d'avanzamento del programma.

Nella stringa **C** viene visualizzato il tempo residuo alla fine del ciclo di lavaggio in corso e nel caso fosse stata impostata una PARTENZA RITARDATA, il tempo mancante all'avvio del programma selezionato.

Nell'area **D** viene visualizzato il valore massimo della velocità della centrifuga che la macchina può effettuare in base al programma impostato; se il programma non prevede la centrifuga l'area resta spenta.

Nell'area **E** viene visualizzato il valore massimo della temperatura che si può selezionare in base al programma impostato; se il programma non prevede l'impostazione della temperatura l'area resta spenta.

Le spie **F** sono relative alle funzioni e si accendono quando la funzione selezionata è compatibile con il programma impostato.

### Simbolo **Oblò bloccato**

Il simbolo acceso indica che l'oblò è bloccato per impedire aperture accidentali. Per evitare danni è necessario attendere che il simbolo si spenga prima di aprire l'oblò (attendere 3 minuti circa).

**N.B.:** se è attiva la funzione PARTENZA RITARDATA l'oblò non si può aprire, per aprirlo mettere la macchina in pausa premendo il tasto START/PAUSE.


**!** Alla prima accensione verrà richiesto di selezionare la lingua ed il display entrerà automaticamente nel menu di selezione lingua. Per scegliere la lingua desiderata premere i tasti **X** e **Y**, per confermare la scelta premere il tasto **Z**.


Se si vuole cambiare lingua, spegnere la macchina, premere **contemporaneamente** i tasti **X**, **Y**, **Z** fino a sentire un segnale acustico, verrà visualizzato di nuovo il menu di selezione lingua.

# Come effettuare un ciclo di lavaggio


IT

1. **ACCENDERE LA MACCHINA.** Premere il tasto , sul display comparirà la scritta "ACCENSIONE IN CORSO"; la spia START/PAUSE lampeggia lentamente di colore verde.
2. **CARICARE LA BIANCHERIA.** Aprire la porta oblò. Caricare la biancheria facendo attenzione a non superare la quantità di carico indicata nella tabella programmi della pagina seguente.
3. **DOSARE IL DETERSIVO.** Estrarre il cassetto e versare il detersivo nelle apposite vaschette come spiegato in "Detersivi e biancheria".
4. **CHIUDERE L'OBLO'.**
5. **SCEGLIERE IL PROGRAMMA.** Premere uno dei tasti del SELETTORE PROGRAMMI per selezionare il programma desiderato; il nome del programma comparirà sul display; ad esso è associata una temperatura e una velocità di centrifuga che possono essere modificate. Sul display comparirà la durata del ciclo.
6. **PERSONALIZZARE IL CICLO DI LAVAGGIO.** Agire sugli appositi tasti:


 **Modificare la temperatura e/o la centrifuga.** La macchina seleziona automaticamente la temperatura e la centrifuga massime previste per il programma impostato e non possono pertanto essere aumentate. Premendo il tasto  si riduce progressivamente la temperatura sino al lavaggio a freddo "OFF". Premendo il tasto  si riduce progressivamente la centrifuga sino alla sua esclusione "OFF". Un'ulteriore pressione dei tasti riporterà i valori al massimo consentito per il ciclo selezionato.

! Eccezione: selezionando il programma  (60°C) (1ª pressione del tasto) la temperatura può essere portata sino a 90°.



 **Impostare una partenza ritardata.**

Per impostare la partenza ritardata del programma prescelto, premere il tasto relativo fino a raggiungere il tempo di ritardo desiderato. Quando tale opzione è attiva, sul display si illumina il simbolo . Per rimuovere la partenza ritardata premere il tasto fino a che sul display compare la scritta "OFF".

**Impostare l'intensità di lavaggio desiderata.**

L'opzione  permette di ottimizzare il lavaggio in base al grado di sporco dei tessuti e all'intensità di lavaggio desiderata.

Selezionare il programma di lavaggio, il ciclo viene impostato automaticamente sul livello "Normale", ottimizzato per capi mediamente sporchi, (impostazione non valida per il ciclo "Lana", che si imposta automaticamente sul livello "Delicato").

Per capi molto sporchi premere il tasto  fino al raggiungimento del livello "Lavaggio Intensivo". Questo livello garantisce un lavaggio di alte prestazioni grazie all'utilizzo di una maggiore quantità di acqua nella fase iniziale del ciclo ed una maggiore movimentazione meccanica, ed è utile per eliminare le macchie più resistenti. Può essere utilizzato **con** o **senza** candeggina. Se si desidera effettuare il candeggio inserire la vaschetta aggiuntiva 4, in dotazione, nella vaschetta 1. Nel dosare la candeggina non superare il livello "max" indicato sul perno centrale (vedi figura a pag. 58). Per capi poco sporchi o per un trattamento più delicato dei tessuti, premere il tasto  fino al raggiungimento del livello "Delicato".

Il ciclo ridurrà la movimentazione meccanica per garantire risultati di lavaggio perfetti per i capi delicati.

**Impostare il tipo di risciacquo.**

L'opzione  consente di selezionare il tipo di risciacquo desiderato per la massima cura delle pelli sensibili. Alla prima pressione del tasto viene impostato il livello "Extra risciacquo" che permette di selezionare un risciacquo aggiuntivo a quelli standard del ciclo, per eliminare tutte le tracce di detersivo. Alla seconda pressione del tasto viene impostato il livello "Pelli Sensibili" che permette di selezionare due risciacqui aggiuntivi a quelli standard del ciclo ed è consigliato per le pelli più sensibili. Alla terza pressione del tasto viene impostato il livello "Anti Allergico" che permette di selezionare tre risciacqui aggiuntivi a quelli standard del ciclo, per rimuovere i principali allergeni come polline, acari, peli del gatto e cane. Premere nuovamente il tasto per tornare al tipo di risciacquo "Risciacquo Normale". Se non è possibile impostare o modificare la regolazione esistente, sul display verrà visualizzato "Non permesso".

**Modificare le caratteristiche del ciclo.**

- Premere il tasto per attivare la funzione; la spia corrispondente al pulsante si accenderà.
- Premere nuovamente il tasto per disattivare la funzione; la spia si spegnerà.

! Se la funzione selezionata non è compatibile con il programma impostato, la spia lampeggerà e la funzione non verrà attivata.

! Se la funzione selezionata non è compatibile con un'altra precedentemente impostata, la spia relativa alla prima funzione selezionata lampeggerà e verrà attivata solo la seconda, la spia della funzione attivata si illuminerà.

! Le funzioni possono variare il carico raccomandato e/o la durata del ciclo.

7. **AVVIARE IL PROGRAMMA.** Premere il tasto START/PAUSE. La spia relativa si illuminerà di colore verde fisso e l'oblò si bloccherà (simbolo OBLO'BLOCCATO  acceso). Durante il lavaggio, sul display comparirà il nome della fase in corso. Per cambiare un programma mentre un ciclo è in corso, **mettere la lavabiancheria in pausa** premendo il tasto START/PAUSE (la spia START/PAUSE lampeggerà lentamente di colore arancione); selezionare quindi il ciclo desiderato e premere nuovamente il tasto START/PAUSE. Per aprire la porta mentre un ciclo è in corso premere il tasto START/PAUSE; se il simbolo OBLO'BLOCCATO  è spenta sarà possibile aprire l'oblò (attendere 3 minuti circa). Premere nuovamente il tasto START/PAUSE per far ripartire il programma dal punto in cui era stato interrotto.
  8. **FINE DEL PROGRAMMA.** Viene indicata dalla scritta "FINE CICLO" sul display, quando il simbolo OBLO'BLOCCATO  si spegnerà sarà possibile aprire l'oblò (attendere 3 minuti circa). Aprire l'oblò, scaricare la biancheria e spegnere la macchina.
- ! Se si desidera annullare un ciclo già avviato, premere a lungo il tasto . Il ciclo verrà interrotto e la macchina si spegnerà.



## Tabella dei programmi

Programmi	Descrizione del Programma	Temp. max. (°C)	Velocità max. (giri al minuto)	Detersivi				Carico max. (Kg)	Umidità residua %	Consumo energia kWh	Acqua totale lt	Durata ciclo
				Prelavaggio	Lavaggio	Candegina	Ammorbidente					
	<b>Antimacchia</b>	40°	1200	●	●	-	●	4	-	-	-	**
	<b>Cotone Standard 60° (1)</b> (1° pressione del tasto): bianchi e colorati resistenti molto sporchi.	60° (Max. 90°)	1200	● (3)	●	●	●	7	53	1,07	52,5	195'
	<b>Cotone Standard 40° (2)</b> (2° pressione del tasto): bianchi e colorati delicati poco sporchi.	40°	1200	-	●	●	●	7	53	0,81	76	185'
	<b>Cotone Standard 20° (3)</b> (3° pressione del tasto): bianchi e colorati delicati poco sporchi.	20°	1200	-	●	●	●	7	-	-	-	**
	<b>Sintetici Resistenti (1)</b> (1° pressione del tasto): colori resistenti molto sporchi.	60°	1000	●	●	●	●	3	44	0,78	33	120'
	<b>Sintetici Resistenti (4)</b> (1° pressione del tasto): colori resistenti molto sporchi.	40°	1000	●	●	●	●	3	-	-	-	**
	<b>Sintetici Delicati (2)</b> (2° pressione del tasto): colori resistenti poco sporchi.	40°	1000	●	●	●	●	3	-	-	-	**
	<b>Rapido 60'</b> (1° pressione del tasto): per rinfrescare rapidamente capi normalmente (non indicato per lana, seta e capi da lavare a mano).	60°	1200	-	●	-	●	3,5	53	0,68	30	60'
	<b>Rapido 30'</b> (2° pressione del tasto): per rinfrescare rapidamente capi poco sporchi (non indicato per lana, seta e capi da lavare a mano).	30°	800	-	●	-	●	3	70	0,17	31	30'
<b>M</b>	<b>My Cycle (Memo):</b> permette di memorizzare un qualsiasi ciclo di lavaggio.											
	<b>Biancheria 7 giorni:</b> per biancheria da letto e da bagno.	60°	1200	●	●	-	●	7	-	-	-	**
	<b>Woolmark Platinum (Lana):</b> per lana, cachemire, ecc.	40°	800	-	●	-	●	1,5	-	-	-	**
	<b>Delicati</b>	30°	0	-	●	-	●	1	-	-	-	**
	<b>Centrifuga (1° pressione del tasto).</b>	-	1200	-	-	-	-	7	-	-	-	**
	<b>Risciacquo (2° pressione del tasto).</b>	-	1200	-	-	-	●	7	-	-	-	**
	<b>Scarico (3° pressione del tasto).</b>	-	0	-	-	-	-	7	-	-	-	**

\*\* E' possibile controllare la durata dei programmi di lavaggio sul display.

La durata del ciclo indicata sul display o sul libretto è una stima calcolata in base a condizioni standard. Il tempo effettivo può variare in base a numerosi fattori quali la temperatura e la pressione dell'acqua in ingresso, la temperatura ambiente, la quantità di detersivo, la quantità ed il tipo di carico, il bilanciamento del carico, le opzioni aggiuntive selezionate.

1) Programma di controllo secondo il regolamento 1061/2010: impostare il programma 60°C (1° pressione del tasto).

Questo ciclo è adatto per pulire un carico di cotone normalmente sporco ed è il più efficiente in termini di consumo combinato di energia e di acqua, da usare su capi lavabili a 60 °C. La temperatura effettiva di lavaggio può differire da quella indicata.

2) Programma di controllo secondo il regolamento 1061/2010: impostare il programma 40°C (2° pressione del tasto).

Questo ciclo è adatto per pulire un carico di cotone normalmente sporco ed è il più efficiente in termini di consumo combinato di energia e di acqua, da usare su capi lavabili a 40°C. La temperatura effettiva di lavaggio può differire da quella indicata.

3) Alla temperatura di 60° la funzione "Prelavaggio" non può essere attivata.

Per tutti Test Institutes:

2) Programma cotone lungo: impostare il programma 40°C (2° pressione del tasto).

4) Programma sintetico lungo: impostare il programma a 60°C (1° pressione del tasto); temperatura di 40°C (premere il tasto TEMPERATURA).

## Funzioni di lavaggio

- Se la funzione selezionata non è compatibile con il programma impostato, la spia lampeggerà e la funzione non verrà attivata.

- Se la funzione selezionata non è compatibile con un'altra precedentemente impostata, la spia relativa alla prima funzione selezionata lampeggerà e verrà attivata solo la seconda, la spia della funzione attivata si illuminerà.

### Prelavaggio

Selezionando questa funzione si effettua il prelavaggio, utile per rimuovere macchie ostinate.

**N.B.:** Aggiungere il detersivo nell'apposito scomparto.

### Stira facile

Selezionando questa funzione, il lavaggio e la centrifuga saranno opportunamente modificati per ridurre la formazione di pieghe.

Al termine del ciclo la lavabiancheria effettuerà delle lente rotazioni del cestello; la spia della funzione STIRA FACILE lampeggerà e la scritta "FINE CICLO" apparirà su display. Per terminare il ciclo si dovrà premere il tasto START/PAUSE o il tasto STIRA FACILE.

### Eco wash

La funzione Eco Wash contribuisce al risparmio energetico non riscaldando l'acqua utilizzata per lavare il bucato – un vantaggio sia per l'ambiente, sia per la bolletta elettrica. Infatti, l'azione rafforzata e il consumo ottimizzato dell'acqua garantiscono ottimi risultati nella stessa durata media di un ciclo standard.

Per ottenere i migliori risultati di lavaggio, si consiglia l'uso di un detersivo liquido.

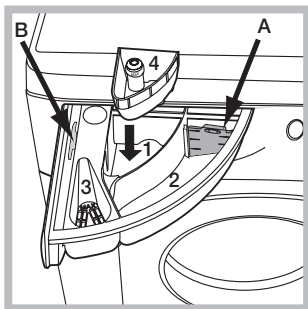
# Detersivi e biancheria

IT

## Cassetto dei detersivi

Il buon risultato del lavaggio dipende anche dal corretto dosaggio del detersivo: eccedendo non si lava in modo più efficace e si contribuisce a incrostare le parti interne della lavabiancheria e a inquinare l'ambiente.

- ! Usare detersivi in polvere per capi in cotone bianchi e per il prelavaggio e per lavaggi con temperatura superiore a 60°C.
- ! Seguire le indicazioni riportate sulla confezione di detersivo.
- ! Non usare detersivi per il lavaggio a mano, perché formano troppa schiuma.



Estrarre il cassetto dei detersivi e inserire il detersivo o l'additivo come segue.

### vaschetta 1: Detersivo per prelavaggio (in polvere)

Prima di versare il detersivo verificare che non sia inserita la vaschetta aggiuntiva 4.

### vaschetta 2: Detersivo per lavaggio (in polvere o liquido)

Nel caso di utilizzo di detersivo liquido si consiglia di utilizzare la parete **A** in dotazione per un corretto dosaggio.

Per l'utilizzo del detersivo in polvere riporre la parete nella cavità **B**.

### vaschetta 3: Additivi (ammorbidente, ecc.)

L'ammorbidente non deve fuoriuscire dalla griglia.

### vaschetta aggiuntiva 4: Candeggina

## Preparare la biancheria

- Suddividere la biancheria secondo:
  - il tipo di tessuto / il simbolo sull'etichetta.
  - i colori: separare i capi colorati da quelli bianchi.
- Vuotare le tasche e controllare i bottoni.
- Non superare i valori indicati, riferiti al peso della biancheria asciutta: vedi "Tabella dei programmi".

### Quanto pesa la biancheria?

- 1 lenzuolo 400-500 gr.
- 1 federa 150-200 gr.
- 1 tovaglia 400-500 gr.
- 1 accappatoio 900-1200 gr.
- 1 asciugamano 150-250 gr.

## Programmi speciali

**Antimacchia:** il programma è adatto al lavaggio di capi molto sporchi, con colori resistenti. Il programma garantisce una classe di lavaggio superiore alla classe standard (classe A). Non eseguire il programma mescolando capi di colore diverso. Si consiglia l'utilizzo di detersivo in polvere. Per macchie ostinate è consigliato il pretrattamento con additivi specifici.

**Cotone Standard 20°** : ideale per carichi in cotone sporchi. Le buone performance anche a freddo, comparabili con un lavaggio a 40°, sono garantite da un'azione meccanica che lavora con variazione di velocità a picchi ripetuti e ravvicinati

**Biancheria da bagno e da letto:** per lavare la biancheria da bagno e da letto in un unico ciclo, utilizzare il programma che ottimizza l'uso dell'ammorbidente e ti consente di risparmiare tempo ed energia. Si consiglia l'utilizzo di detersivo in polvere.

### Lana - Woolmark Apparel Care - Blue:

Il ciclo di lavaggio "Lana" di questa lavatrice è stato approvato dalla Woolmark Company per il lavaggio di capi di lana classificati come "lavabili a mano", purché il lavaggio venga eseguito nel rispetto delle istruzioni riportate sull'etichetta dell'indumento e delle indicazioni fornite dal produttore di questa lavatrice.



**Delicati:** utilizzare il programma per il lavaggio dei capi molto delicati, che presentano applicazioni quali strass o paillettes.

Per il lavaggio dei capi in **seta** e **tende**, selezionare il ciclo ed impostare il livello "Delicato" dell'opzione . Si raccomanda di rovesciare i capi prima del lavaggio e di inserire gli indumenti piccoli nell'apposito sacchetto per il lavaggio dei capi delicati.

Per risultati migliori si raccomanda l'utilizzo del detersivo liquido per capi delicati.

## Sistema bilanciamento del carico

Prima di ogni centrifuga, per evitare vibrazioni eccessive e per distribuire il carico in modo uniforme, il cestello effettua delle rotazioni ad una velocità leggermente superiore a quella del lavaggio. Se al termine di ripetuti tentativi il carico non fosse ancora correttamente bilanciato la macchina effettua la centrifuga ad una velocità inferiore a quella prevista.

In presenza di eccessivo sbilanciamento la lavabiancheria effettua la distribuzione anziché la centrifuga. Per favorire una migliore distribuzione del carico e il suo corretto bilanciamento si consiglia di mescolare capi grandi e piccoli.

Può accadere che la lavabiancheria non funzioni. Prima di telefonare all'Assistenza (vedi "Assistenza"), controllare che non si tratti di un problema facilmente risolvibile aiutandosi con il seguente elenco.

## Anomalie:

### La lavabiancheria non si accende.

### Il ciclo di lavaggio non inizia.

### La lavabiancheria non carica acqua (nel display apparirà la scritta "Manca l'acqua, apri il rubinetto").

### La lavabiancheria carica e scarica acqua di continuo.

### La lavabiancheria non scarica o non centrifuga.

### La lavabiancheria vibra molto durante la centrifuga.

### La lavabiancheria perde acqua.

### La macchina è bloccata, il display lampeggia e segnala un codice di anomalia (es.: F-01, F-...).

### Si forma troppa schiuma.

## Possibili cause / Soluzione:

- La spina non è inserita nella presa della corrente, o non abbastanza da fare contatto.
- In casa non c'è corrente.

- L'oblò non è ben chiuso.
- Il tasto ON/OFF non è stato premuto.
- Il tasto START/PAUSE non è stato premuto.
- Il rubinetto dell'acqua non è aperto.
- Si è impostato un ritardo sull'ora di avvio (PARTENZA RITARDATA, vedi "Come effettuare un ciclo di lavaggio").

- Il tubo di alimentazione dell'acqua non è collegato al rubinetto.
- Il tubo è piegato.
- Il rubinetto dell'acqua non è aperto.
- In casa manca l'acqua.
- Non c'è sufficiente pressione.
- Il tasto START/PAUSE non è stato premuto.

- Il tubo di scarico non è installato fra 65 e 100 cm da terra (vedi "Installazione").
- L'estremità del tubo di scarico è immersa nell'acqua (vedi "Installazione").
- Lo scarico a muro non ha lo sfiato d'aria.

Se dopo queste verifiche il problema non si risolve, chiudere il rubinetto dell'acqua, spegnere la lavabiancheria e chiamare l'Assistenza. Se l'abitazione si trova agli ultimi piani di un edificio, è possibile che si verifichino fenomeni di sifonaggio, per cui la lavabiancheria carica e scarica acqua di continuo. Per eliminare l'inconveniente sono disponibili in commercio apposite valvole anti-sifonaggio.

- Il programma non prevede lo scarico: con alcuni programmi occorre avviarlo manualmente.
- È attiva la funzione STIRA FACILE: per completare il programma premere il tasto START/PAUSE ("Programmi e funzioni").
- Il tubo di scarico è piegato (vedi "Installazione").
- La condotta di scarico è ostruita.

- Il cestello, al momento dell'installazione, non è stato sbloccato correttamente (vedi "Installazione").
- La lavabiancheria non è in piano (vedi "Installazione").
- La lavabiancheria è stretta tra mobili e muro (vedi "Installazione").

- Il tubo di alimentazione dell'acqua non è ben avvitato (vedi "Installazione").
- Il cassetto dei detersivi è intasato (per pulirlo vedi "Manutenzione e cura").
- Il tubo di scarico non è fissato bene (vedi "Installazione").

- Spegnere la macchina e togliere la spina dalla presa, attendere circa 1 minuto quindi riaccenderla.  
Se l'anomalia persiste, chiamare l'Assistenza.

- Il detersivo non è specifico per lavabiancheria (deve esserci la dicitura "per lavatrice", "a mano e in lavatrice", o simili).
- Il dosaggio è stato eccessivo.

## Prima di contattare l'Assistenza:

- Verificare se l'anomalia può essere risolta da soli (vedi "Anomalie e rimedi");
- Riavviare il programma per controllare se l'inconveniente è stato ovviato;
- In caso negativo, contattare il Numero Unico 199.199.199\*.

! Non ricorrere mai a tecnici non autorizzati.

## Comunicare:

- il tipo di anomalia;
- il modello della macchina (Mod.);
- il numero di serie (S/N);

Queste informazioni si trovano sulla targhetta applicata nella parte posteriore della lavabiancheria e nella parte anteriore aprendo l'oblò.

## Assistenza Attiva 7 giorni su 7



In caso di necessità d'intervento chiamare il Numero Unico Nazionale 199.199.199\*.

Un operatore sarà a completa disposizione per fissare un appuntamento con il Centro Assistenza Tecnico Autorizzato più vicino al luogo da cui si chiama.

È attivo 7 giorni su 7, sabato e domenica compresi, e non lascia mai inascoltata una richiesta.

\* Al costo di 14,25 centesimi di Euro al minuto (iva inclusa) dal Lun. al Ven. dalle 08:00 alle 18:30, il Sab. dalle 08:00 alle 13:00 e di 5,58 centesimi di Euro al minuto (iva inclusa) dal Lun. al Ven. dalle 18:30 alle 08:00, il Sab. dalle 13:00 alle 08:00 e i giorni festivi, per chi chiama da telefono fisso. Per chi chiama da radiomobile le tariffe sono legate al piano tariffario dell'operatore telefonico utilizzato.

Le suddette tariffe potrebbero essere soggette a variazione da parte dell'operatore telefonico; per maggiori informazioni consultare il sito [www.hotpoint-ariston.it](http://www.hotpoint-ariston.it).

FICHE TECNICA - REGOLAMENTO DELEGATO (UE) N. 1061/2010 DELLA COMMISSIONE	
Marchio	HOTPOINT/ARISTON
Modello	WMD 722B EU.M
Capacità in kg di cotone	7
Classe di efficienza energetica su una scala da A+++ (basso consumo) a G (alto consumo)	A++
Consumo annuo di energia in kWh <sup>1)</sup>	197
Consumo di energia del programma cotone standard a 60°C a pieno carico in kWh <sup>2)</sup>	1.079
Consumo di energia del programma cotone standard a 60° carico parziale in kWh <sup>2)</sup>	0.726
Consumo di energia del programma cotone standard a 40° a carico parziale in kWh <sup>2)</sup>	0.711
Consumo di potenza in modo spento in W	0.5
Consumo di potenza in modo lasciato acceso in W	8
Consumo di acqua in litri/anno <sup>3)</sup>	9000
Classe di efficacia di centrifuga su una scala da G (efficacia minima) ad A (efficacia massima)	B
Velocità massima di centrifuga raggiunta <sup>4)</sup>	1200
Umidità residua <sup>5)</sup>	53.0%
Durata del programma cotone standard a 60°C a pieno carico in minuti	195
Durata del programma cotone standard a 60°C a carico parziale in minuti	155
Durata del programma cotone standard a 40°C a carico parziale in minuti	150
Durata del modo lasciato acceso in minuti	30
Rumore in dB(A) re 1 pW in lavaggio <sup>6)</sup>	62
Rumore in dB(A) re 1 pW in centrifuga <sup>6)</sup>	83
Modello da incasso	

<sup>1)</sup> Basato su 220 cicli di lavaggio cotone standard a 60°C e a 40°C a carico pieno e parziale e sul consumo nei modi di spento e lasciato acceso. Il consumo effettivo dipende dalla modalità di utilizzo della lavabiancheria.

<sup>2)</sup> Il "cotone standard a 60°C" a carico pieno e parziale ed il "cotone standard a 40°C" a carico parziale sono i programmi di lavaggio standard ai quali fanno riferimento le informazioni sull'etichetta e sulla scheda, questi programmi sono adatti per lavare cotone normalmente sporco e sono i programmi più efficienti in termini di consumo combinato di energia e acqua. Il carico parziale è la metà del carico nominale.

<sup>3)</sup> Basato su 220 cicli di lavaggio cotone standard a 60°C e a 40°C a carico pieno e parziale. Il consumo effettivo dipende dalla modalità di utilizzo dell'apparecchio.

<sup>4)</sup> Valore minimo fra il programma cotone standard 60°C a pieno e metà carico e il cotone standard 40°C a metà carico.

<sup>5)</sup> Valore massimo fra il programma cotone standard 60°C a pieno e metà carico e il cotone standard 40°C a metà carico.

<sup>6)</sup> Misurato sul programma cotone standard a 60°C pieno carico.

## Üretici Firma:

Indesit Company Beyaz Eşya PAZARLAMA A.Ş.

Balmumcu Cad. Karahasan Sok.

No: 11, 34349- Balmumcu Beşiktaş – İstanbul

Tel: (0212) 355 53 00