

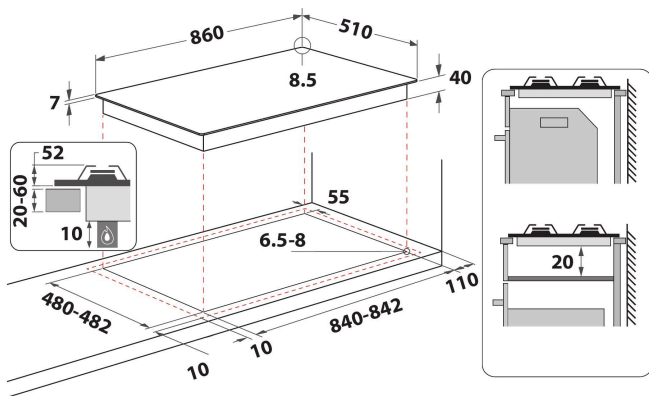
GMWL 958/IXL

12NC: 859991596270

GTIN (EAN) code: 8003437608612

Whirlpool

SENSING THE DIFFERENCE



- Cast Iron Pan Supports
- Electromagnetic safety device for each burner
- Brushed chrome knobs
- 2 W Collection Aphrodite 2 Cast Iron grids
- Front controls
- 90 cm hob
- Ignition type: knob
- 5 Burners
- 5 burners: 1 Double Crown Dual Valve 5000 W burner, 1 Semirapid 1750 W burner, 1 Rapid 3000 W burner, 1 Auxiliary 1000 W burner, and 1 Semirapid 1750 W burner.
- Dimensions HxWxD: 49x900x510 mm
- Niche dimensions HxWxD: 41x840x490 mm
- Voltage: 230 V
- Gas Connection Rating: 12500 W
- Gas Type: G20

Whirlpool gas hob: 5 gas burners - GMWL 958/IXL

Standard Whirlpool technologies and features for you to enjoy.



Power Burner 5000W

5kW burner. Enjoy tastier results, faster. Seal your meat to perfection, boil water faster or enjoy a perfect stir-fry dishes with the outstanding Power Burner 5000W.



iXelium

Long lasting shine. The revolutionary iXelium treatment protects your hob from scratches and corrosion, ensuring a perfect shine, always. And, it's easy to clean: all you need is water and a soft cloth.



Booster

Enjoy super fast boiling times with the Booster cooking zone.



Speed to Boil

Enjoy faster boiling. Our innovative technology, by effectively harnessing the energy of the flames, ensures more heat is delivered directly to your pots and pans allowing you to enjoy ideal cooking results, sooner.



Full width cast iron grids

The full-width cast-iron pan support maximises the cooking surface with an edge-to-edge design so pans can slide effortlessly from one burner to another without any lifting and is durable enough to withstand damage and prevent rusting or scratching. Cooktop grids are made of cast iron, a top performing material resistant to high temperatures, durable in time that perfectly transmit heat. Restyled for added comfort and beauty, the distinctive design of the ergonomic knobs ensures easier use, greater control, and easeness of cleaning on steel and glass models.



Power Burner 5gas (PB)

Power cooking. This Whirlpool Hob features 5 Power burners to provide extra heat and speed up boiling, frying and steaming, while ensuring maximum energy efficiency.



MultiLevel Flame

9 flame levels for different cooking methods. Always get the ideal flame for your cooking methods, to achieve perfect cooking results effortlessly.



Dishwashable Grids

Keep your hob clean easily and safely thanks to the dishwasher safe grids.



Cast Iron Supports

Cast Iron pan supports for that professional look and maximum stability in use.

GMWL 958/IXL

12NC: 859991596270

GTIN (EAN) code: 8003437608612

Whirlpool

SENSING THE DIFFERENCE

MAIN FEATURES

Product group	Hob
Construction type	Built-in
Type of control	N/A
Type of control settings	Knob
Number of gas burners	5
Number of electric cooking zones	0
Number of electric plates	0
Number of radiant plates	0
Number of halogen plates	0
Number of induction plates	0
Number of electric warming zones	0
Location of control panel	Front
Basic surface material	Stainless steel
Main colour of product	Inox Ixelum
Electrical connection rating (W)	0
Gas connection rating (W)	12500
Gas type	G20
Current (A)	0,2
Voltage (V)	230
Frequency (Hz)	50
Length of Electrical Supply Cord (cm)	85
Plug type	No
Gas connection	N/A
Width of the product	900
Height of the product	49
Depth of the product	510
Minimum niche height	41
Minimum niche width	840
Niche depth	490
Net weight (kg)	17.8
Automatic programmes	No

TECHNICAL FEATURES

Power on indicator	No
Number of indicators	0
Type of regulation	Temperature regulated
Type of lid	Without
Residual heat indicator	Without
Main on/off switch	No
Safety device	-
Timer	No

PERFORMANCES

Energy input	Gas
--------------	-----