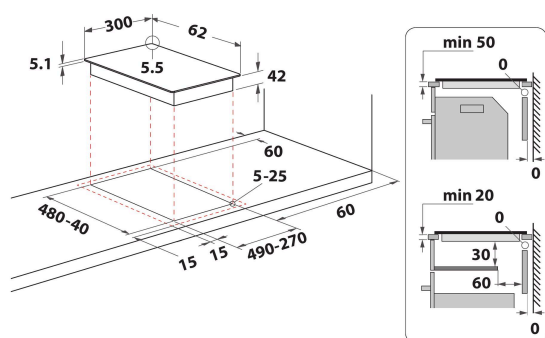
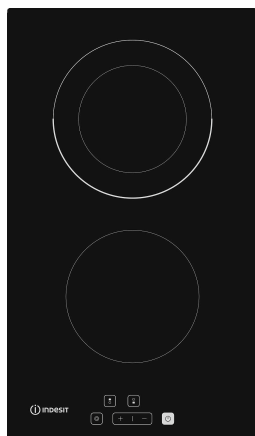


# IRD 2030 B

12NC: F165084

GTIN (EAN) code: 8050147650844

**Indesit**  
Life proof.



## MAIN FEATURES

Product group	Hob
Construction type	Built-in
Type of control	Electronic
Type of control settings	-
Number of gas burners	0
Number of electric cooking zones	0
Number of electric plates	0
Number of radiant plates	2
Number of halogen plates	0
Number of induction plates	0
Number of electric warming zones	0
Location of control panel	Front
Basic surface material	Ceramic Glass
Main colour of product	Черн
Electrical connection rating (W)	2900
Gas connection rating (W)	0
Gas type	N/A
Current (A)	12,6
Voltage (V)	220-240
Frequency (Hz)	50/60
Length of Electrical Supply Cord (cm)	150
Plug type	No
Gas connection	N/A
Width of the product	300
Height of the product	47
Depth of the product	520
Minimum niche height	40
Minimum niche width	270
Niche depth	490
Net weight (kg)	4.4
Automatic programmes	No

## TECHNICAL FEATURES

Power on indicator	Yes
Number of indicators	2
Type of regulation	N/A
Type of lid	Without
Residual heat indicator	Central
Main on/off switch	Yes
Safety device	-
Timer	No

## ENERGY LABEL

Energy input

Electric