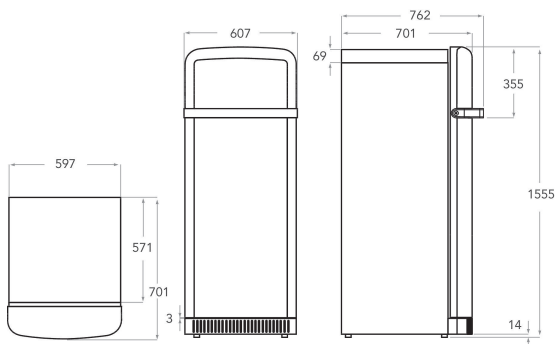


# KCFMB 60150L (UK)

12NC: 851303596000

GTIN (EAN) code: 8003437042256

**KitchenAid**



## MAIN FEATURES

Product group	Refrigerator
Commercial code	KCFMB 60150L (UK)
GTIN (EAN) code	8003437042256
Construction type	Free-standing
Installation type	Free-standing
Type of control	Electronic
Type of control settings	Digit
Main colour of product	Black
Electrical connection rating (W)	80
Current (A)	13
Voltage (V)	220-240
Frequency (Hz)	50
Length of Electrical Supply Cord (cm)	245
Plug type	UK
Total unit net capacity (l)	230
Star Rating	4
Number of independent cooling systems	1
Height of the product	1500
Width of the product	600
Depth of the product	800
Depth with open door 90 degree (mm)	-
Maximum adjustability feet	0
Net weight (kg)	71.03
Door hinge	Left

## TECHNICAL FEATURES

Temperature adjustable	Yes
Warning signal / Malfunction	Both visual and audible
Defrost process fridge section	Automatic
Fast cooling possibility	No
Interior ventilator fridge section	Yes
Shelves for Bottles	No
Lockable door	-
Number of shelves in fridge compartment	3
Number of Adjustable Shelves in fridge compartment	2
Material of the shelves	Glass With Profile
Thermometer fridge section	Digital

## PERFORMANCES

Energy efficiency class - NEW (2010/30/EU)	A++
Energy consumption annual (kWh/annum) - NEW (2010/30/EU)	179
Refrigerator Net capacity (l) - NEW (2010/30/EU)	205
Freezer Net capacity (l) - NEW (2010/30/EU)	25
Freezing capacity (kg/24h) - NEW (2010/30/EU)	2
Temperature rise time (h)	21
Climate class	SN-T
Noise level (dB(A) re 1 pW)	38
Frost free system	No
Maximum ambient temperature	43
Minimum ambient temperature	10