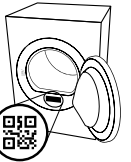




THANK YOU FOR BUYING A WHIRLPOOL PRODUCT.
In order to receive a more complete assistance,
please register your product on
www.whirlpool.eu/register



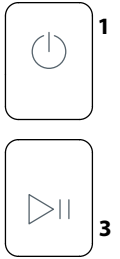
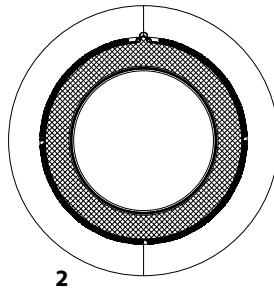
**Before using the appliance carefully
read the Safety Instruction.**



PLEASE SCAN THE QR CODE ON YOUR APPLIANCE IN ORDER TO REACH MORE INFORMATION.

CONTROL PANEL

- 1 ON/OFF button (hold for Reset)
- 2 Programme selection Knob
- 3 Start/Pause
- Options Buttons***
- 4 Cycle end
- 5 High heat
- 6 Anti tangle (hold for Mute)
- 7 Dryness level
- 8 Start delay
- 9 Timed drying
- 10 Rapid (hold for Key lock)
- 11 Gentle
- 12 FreshCare+



*Note: some models may have the wording in full instead of the icons.

INDICATORS

- Dryness level:** Iron dry - Hanger dry - Cupboard dry - Extra dry
 - Cycle phase:** Drying - Cool down - End of cycle
 - Empty water tank** - **Clean door filter** - **Clean bottom filter**
- Refer to troubleshooting section: **Failure:** Call after sales service

FIRST TIME USE

Make sure that the water tank is correctly inserted. Make sure that the drain hose on the back of the dryer is fixed correctly, either to the dryer's water tank, or to your domestic drainage system.
The dryer must be installed in a room with a temperature ranging between 5°C and 35°C to ensure proper operation.
Before you use your dryer ensure that it has been in a upright position for at least 6 hours.

Opening the door during the cycle

The tumble dryer door can be opened at any time during the cycle to check progress and remove any garments already dry. However, since opening the door can extend the drying time, the recommendation is to keep the door closed throughout the cycle process to save time and energy.
After closing the door, press the "Start/Pause" button within 15 minutes to resume the machine operation.

DAILY USE

- Doing this will keep your machine working at its BEST:**
 - remember to empty your water tank after each drying cycle.
 - remember to clean your filters after each drying cycle.
- Refer to the Care & Maintenance section.**

1. Plug the dryer into the power supply socket.
2. Open the door and load garments; always refer to instructions on clothing labels and the max loads indicated in the programme section. Empty pockets. Make sure garments do not get caught between the door and/or the door filter. Do not load items that are dripping wet. Do not tumble dry large, very bulky items. For optimal drying result, garments should be loaded one by one.
3. Close the door.
4. Press the "On/Off" button.
5. Select the most suitable programme for the type of fabric in that load.
6. Select the options, if necessary.
7. Press the "Start/Pause" button to begin drying.
8. At the end of the drying cycle, a buzzer will beep. An indicator on the control panel signals the end of the cycle. Turn the machine off by pressing the "On/Off" button, open the door and pull the clothing immediately out to prevent the formation of creases on laundry.

If the machine is not switched off manually, after about a quarter of an hour from the end of the cycle, the appliance turns off automatically to save energy.

Note that some models perform a final cool tumble phase, for this reason the fabrics may not feel hot.

In case of power failure, it is necessary to press the "Start/Pause" button to restart the cycle

CARE LABEL

Always check the care labels, especially when placing garments in the tumble dryer for the first time. Below are the most commonly used symbols:

- May be tumble dried.
- Do not tumble dry.
- Tumble dry – high heat.
- Tumble dry – low heat.



PROGRAMS

The duration of these programs will depend on the size of the load, types of textiles, the spin speed used in your washer and any extra options selected. **In machines equipped with display, the duration of the cycles is shown on the control panel.** The remaining time is constantly checked and adjusted during the drying cycle to show the best possible estimate.

Option to use - If all your loads on Automatic Cycles are consistently less dry or more dry than you would like, you may increase or decrease the dryness level using the specific option.

Eco **kg Max***

This is the most efficient programme in terms of energy consumption and is suitable for drying normal wet cotton laundry. The values on the Energy Label are based on this programme.

NOTE: For optimal energy efficiency this cycle by default is set up to "Cupboard Dry" level. For a higher dryness level we suggest using the Cotton cycle.

Cotton **kg Max***

Cycle suitable for drying all types of cotton, ready to be placed in the cupboard.

Mixed **kg 4**

This programme is ideal for drying cotton and synthetic fabrics together.

Bed linen **kg Max***

This programme is intended for drying cotton sheets.

Duvet

Programme intended to dry bulky items, such as a single duvet.

Shirts **kg 3**

This is a programme for Shirts made from cotton or cotton blend/synthetics.

Jeans **kg 3**

For drying sturdy cotton including denim trousers and jackets.

Easy ironing

This cycle relaxes fibres, thus making ironing and folding easier. Suitable for small load of damp or dry cotton and cotton blend fabrics. Not for wet items.

Refresh

A short programme suitable for refreshing fibres and garments through the emission of fresh air. Do not use on wet items. It can be used on with any load size but is more effective with small loads. It lasts about 20 minutes.

Rapid 30' **kg 0.5**

Ideal for drying cotton garments spun at high speed in the washing machine.

Sport **kg 4**

For drying synthetics or cotton sports garments.

Silk **kg 0.5**

Gentle drying of silk garments.

Wool **kg 1**

Programme for drying wool clothes. It is advisable to turn the items inside out before drying. If heavy edges remain damp, leave them to dry naturally.

Delicates **kg 2**

For drying delicate laundry requiring gentle treatment.

Synthetics **kg 4**

For drying synthetic fabrics.


***MAX LOAD 9 Kg (Dry load)**


OPTIONS

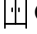
These buttons allow you to personalise the selected programme according to personal requirements. Not all options are available for all programmes. Some options may be incompatible with ones you have previously set; if so, you will be alerted by the buzzer and/or blinking indicators. If the option is available, the option indicator will stay on. The programme may retain some options selected in previous drying cycles.


Dryness level

Press the related button several times to obtain a different level of residual moisture on garments. An indicator signals the level being selected.

 **Iron dry:** very delicate drying. Items will be more easily ironed immediately after the cycle.

 **Hanger dry:** a level intended for delicate garments ready to be hanged.

 **Cupboard dry:** the laundry is ready to be folded and put away.

 **Extra dry:** for laundry intended to be worn at the end of the cycle.

Timed drying

This option is to manually set the drying time. Press the corresponding button to set the required time for drying. An indicator on the control panel signals the time being selected.

Start delay

This option is for delaying the start of the cycle. Press the corresponding button several times to find the required delay. Once the max time is reached, the option is reset by pressing the button again. An indicator on the control panel signals the time being selected. After pressing the "Start/Pause" button, the machine signals the time remaining to the start of the cycle. If the door is opened, press the "Start/Pause" button once the door has been closed.

Rapid

Enables quicker drying.

FreshCare+

If laundry is left inside of the drum once the cycle has ended, it can be subjected to bacterial proliferation. This option helps to prevent this from happening by controlling the temperature and gently rotating the drum. This will continue for up to 6 hours after the end of the cycle. This setting will remain in the memory of the previous cycle. If this is used alongside Start Delay, a crease treatment will be performed during this phase by periodic rotations of the drum.

Key lock

This option makes all machine controls inaccessible, except the "On/Off" button. When the machine is on:

- to activate the option, keep the button pressed until the machine signals that the option has been enabled.
- to disable the option, keep the button pressed until the machine signals that the option has been disabled.

This option remains in memory if selected in previous drying.

Cycle end

This option activates a prolonged buzzer at the end of the cycle. Enable it if you are not sure to hear the normal sound at the end of the cycle. This option remains in memory if selected in the previous drying.

Mute

This option turns off all sounds of control panel. Only warnings remain active.

- to activate the option, keep the button pressed until the indicator goes on.
- to disable the option, keep the button pressed until the indicator goes off.

High heat

It improves the drying capacity. Option suitable for drying tough garments, it is used with timed cycles.

Anti tangle

This option performs a special drum movement that reduces tangling and knotting of your clothes. It gives best results when used with smaller loads.

Gentle

Enables a more gentle treatment of the laundry by reducing the drying temperature.

CLEANING AND MAINTENANCE

WARNING: unplug the dryer during the cleaning and maintenance procedures.

Emptying the water tank after each cycle (see Fig. A).

Pull the container out of the dryer and empty it into a sink or other suitable drain, then place it back properly. Do not use the dryer without having inserted the container back in place.

Cleaning the door filter after each cycle (see Fig. B).

Pull the filter out and clean it by removing the lint from the filter surface under running water or using a vacuum cleaner. For optimal performance, dry up the filter before inserting it back in place.

Do not use the dryer without having reinserted the filter in place.

Remove the door filter as described below:

1. Open the door and pull the filter upwards.
2. Open the filter and remove the lint from all its parts. Replace the filter correctly making sure it is fully seated.

Cleaning the bottom filter when the relevant indicator turns on (see Fig. C).

Pull the filter out and remove the lint from its surface by washing it under running water or by using a vacuum cleaner.

However, it is advisable to clean this filter after each cycle to optimise drying performance.

Do not use the dryer without having reinserted the filter in place.

Remove the bottom filter as described below:

- C1. Open the bottom cover; take the handle and pull the filter out.
- C2. Open the rear side of the filter and remove the lint from the inner surface of the mesh.
- C3/C4. Check the bottom filter chamber every month. If you see residual lint accumulated on the metal fins, clean it with a vacuum cleaner, using a nozzle with a brush. It's crucial to do vertical movements, you may destroy the component if you try to clean it in horizontal direction. Avoid the direct contact of the hand with the fins - risk of cut.
- C5. Close the rear side of the filter and place it back by checking it is perfectly integrated into its seat, then lower the filter handle.
- C6. Close the bottom cover.

Make sure the air intake is free.

The filters are essential parts for drying. They are intended to collect the lint formed during the drying process. In case of clogged filters, the air flow inside the dryer would be seriously affected: the drying times would be longer, the energy consumption would increase and the dryer could be damaged. If these procedures are not carried out properly, the dryer may not start.

NOTE: After cleaning the filters the relevant indicator remains on; this is normal, it will disappear when you start a new drying cycle.

Cleaning the tumble dryer

- The external metal, plastic and rubber parts can be cleaned with a damp cloth.
- Clean the front air intake grille regularly (every 6 months) with a vacuum cleaner to remove any lint, fluff or dust deposits. Furthermore, remove any lint deposits from the filters area, using a vacuum cleaner every so often.
- Do not use solvents or abrasives.

TRANSPORT AND HANDLING

Never lift the dryer by holding it at the worktop.

1. Unplug the dryer.
2. Remove the water from the water tank completely.
3. Make sure that door and water tank are properly closed.
4. If the drain hose is connected to your drainage system, re-connect it to the back of the dryer (see "Installation" section in the Safety Instruction guide).

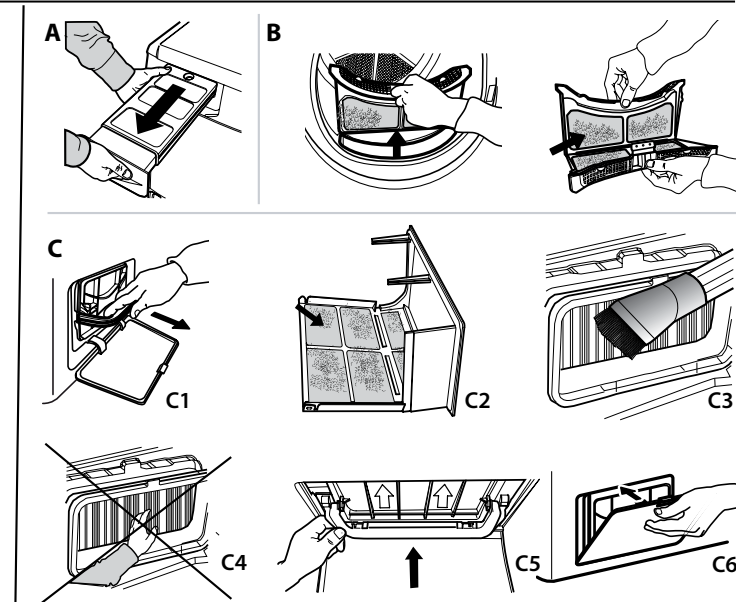
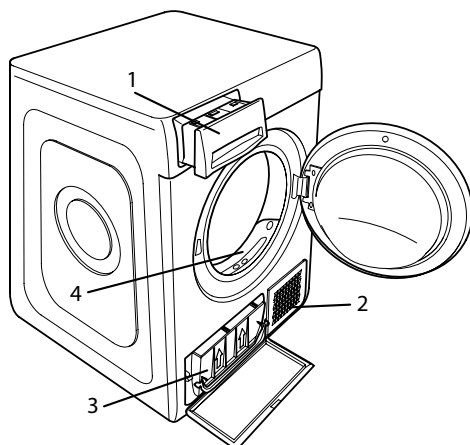
Power consumption			
off-mode (Po) - Watts			0.42
left-on mode (PI) - Watts			2.00
Programs	Kg	kWh	Minutes
Eco* □	9	2.13	211
Eco □	4.5	1.19	131
Synthetics	4	0.73	95
*This is the reference programme for the energy label and suitable to dry normal wet cotton laundry. This is the most efficient programme in terms of energy consumption for drying wet cotton laundry (Standard/Default starting configuration).			

Heat Pump System

The heat pump contains fluorinated greenhouse gases, contained in a hermetically sealed unit. This sealed unit contains 0.18 kg of the R134a gas. GWP = 604 (1 t CO₂).

PRODUCT DESCRIPTION

1. Water Tank
2. Air Intake
3. Bottom filter
4. Door filter



TROUBLESHOOTING

EN

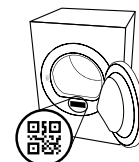
Before contacting the After-sales Service, refer to the table below. Often the malfunctions are minor and can be solved in few minutes.

Malfunction	Possible cause	Solution
The drying times are very long.	An appropriate maintenance was not carried out.	Refer to the Cleaning & Maintenance section and perform the operations described.
	The garments are too wet.	Carry out a washing cycle with higher spin speed to remove as much water as possible.
	Room temperature.	The drying time may be longer if the room temperature falls outside the 14–30°C range.
	The programme, the time and/or the drying level set are not suitable for the type and the amount of load inserted into the dryer.	Refer to Programmes and Options sections to find the programme and options most suitable for the type of load.
	The dryer may be overloaded.	Refer to the Programmes section to check the max load for each programme.
The tumble dryer does not turn on.	The "On/Off" button was not pressed.	Press the "On/Off" button.
	The plug is not inserted into the socket.	Insert the plug into the socket.
	The socket is faulty.	Try to plug another appliance in the same socket. Do not use connecting electrical devices to the socket, such as adapters or extensions.
	A power failure occurred.	Wait for the power supply to be restored and switch the fuse on again if necessary.
The tumble dryer does not start.	The door has not been closed properly.	Close the door.
	A time delay was set to the start of the cycle.	For machines equipped with this function: wait for the set delay to end or switch the machine off to reset it. Refer to the Options section.
	The "Start/Pause" button was not pressed.	Press the "Start/Pause" button.
	The Key Lock function was enabled (for machines equipped with this option).	If Key Lock was selected, disable it. Switching the machine off will not disable this option. Refer to the Options section.
Garments are wet at cycle completion.	Small load.	The automatic programme has not sensed the required final moisture so that the dryer completes the programme and stops. If this happens simply select an additional short period of drying or select Extra Dry option if available.
	Large loads or heavier fabrics.	Dryness levels can be modified to the specific dryness desired. Extra Dry is recommended for ready to wear items.
	The drying cycle was paused and then not reactivated within 15 minutes, causing the machine to shut down.	The drying cycle has to be set up once more and restarted.
	A power failure might have occurred, causing the machine to shut down.	The drying cycle has to be set up once more and restarted.
Lights on or flashing		
Water tank	The water tank is full.	Empty the water tank. Refer to the Cleaning & Maintenance section.
Door filter	Failure of the air flow necessary for machine operation.	Clean the door filter and check whether air intake is free. Carrying out these operations improperly may cause damages. Refer to Cleaning & Maintenance section.
Bottom filter*	The bottom filter requires cleaning.	Clean the bottom filter. Refer to Cleaning & Maintenance section.
The presence of wrench symbol signals a malfunction.	The machine sensors detected a failure.	Switch the dryer off and unplug it. Open the door immediately and pull laundry out, to allow the heat to dissipate. Wait for about 15 minutes. Reconnect the dryer to the power supply, load the laundry and restart the drying cycle. If the problem still occurs, contact the After-Sales Service Centre and communicate the letters and digits flashing on the display. For instance: F3 and E2.

*Note: some models are auto-cleaning and not equipped with bottom filter. Please refer to the Cleaning & Maintenance section.

Policies, standard documentation, ordering of spare parts and additional product information can be found by:

- Using QR code in your appliance
- Visiting our website docs.whirlpool.eu and parts-selfservice.whirlpool.com
- Alternatively, **contact our After-sales Service** (See phone number in the warranty booklet). When contacting our After-sales Service, please state the codes provided on your product's identification plate.



Whirlpool



БЛАГОДАРИМ ВИ, ЧЕ ЗАКУПИХТЕ ПРОДУКТ НА WHIRLPOOL.
За да получавате по-пълно съдействие,
регистрайте Вашия уред на
www.whirlpool.eu/register



Преди да използвате уреда, прочетете
внимателно инструкциите за
безопасност.



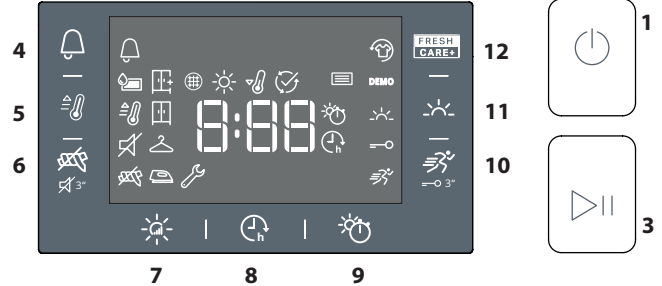
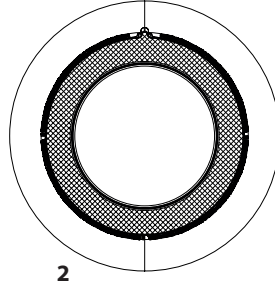
ЗА ПОЛУЧАВАНЕ НА ПО-ПОДРОБНА ИНФОРМАЦИЯ, МОЛЯ, СКАНИРАЙТЕ QR КОДА НА ВАШИЯ УРЕД.

КОНТРОЛЕН ПАНЕЛ

- 1 Бутон Включ./Изключ. (Нулиране, ако се натисне и задържи)
- 2 Бутон за избор програми
- 3 Старт/Пауза

Клавиши Опции*

- 4 Край на програмата
- 5 Висока температура
- 6 Без намачкване (Безшумно ако се натисне и задържи)
- 7 Степен изсуш.
- 8 Отложен старт
- 9 Време за сушене
- 10 Кратка (Заклучване ако се натисне и задържи)
- 11 Деликатно
- 12 FreshCare+



*Забележка: някои модели може да имат разширена формулировка вместо икони.

ИНДИКАТОРИ

Степен изсуш: ☀️ за гладене - 👕 За закачалка - 🧺 За гардероб - 🧺 Екстра сухо

Фази на цикъла: ☀️ Сушене - 🌬️ Охлаждане - 🏠 Край на прог

Изпразните резервоара за вода - 🧺 Почистете филтъра на вратичката - 🧺 Почистете долния филтър

Вижте раздела за отстраняване на неизправности: 🛠️ **Повреда:** Обадете се на Обслужващия сервиз

УПОТРЕБА ЗА ПРЪВ ПЪТ

Уверете се че водният резервоар е поставен правилно. Уверете се че маркучът за източване от задната страна на сушилнята е закрепен правилно към водния резервоар на сушилнята или към домашната Ви система канализационни отпадъци.

Сушилнята трябва да бъде монтирана в помещение с температурен диапазон между 5° C и 35° C, за да се гарантира правилното функциониране.

Предупреждение! Преди да използвате сушилнята, трябва да я оставите в изправено положение поне 6 часа.

ВСЕКИДНЕВНА УПОТРЕБА

Вашата машина ще работи НАЙ-ДОБРЕ, ако спазвате следните съвети:

- **запомнете да изпразвате вашия резервоар за вода след всеки цикъл на сушене.**

- **запомнете да почиствате филтрите си след всеки цикъл на сушене.**

Обърнете се към раздел Грижи и поддръжка.

1. Вкарайте изсушителя в електрически контакт.
2. Отворете вратата и заредете дрехите; винаги се обръщайте към инструкциите върху етикетите на дрехите и макс. тегла, указани в раздела с програми. Изпразнете джобовите. Уверете се, че дрехите не се улавят между вратата и/или филтъра на вратата. Не зареждайте дрехи, които са много мокри. Не сушете големи, много обемисти дрехи. За оптимален резултат от сушенето дрехите трябва да се зареждат една по една.
3. Затворете вратата.
4. Натиснете бутона "Вкл/Изкл".
5. Изберете най-подходящата програма за типа тъкани в това зареждане.
6. Изберете опциите, ако е нужно.
7. Натиснете бутона "Старт/Пауза" за започване на сушенето.
8. В края на цикъла на сушене ще прозвучи зумер. Индикатор върху контролния панел сигнализира за края на цикъла. Изкл машината чрез натискане на бутона "Вкл/Изкл", отворете капака и изгледете дрехите незабавно, за да предотвратите формиране на намачквания по прането.

Ако машината не се изключи ръчно, след около четвърт час след края на цикъла, устройството се изключва автоматично за пестене на енергия.

Обърнете внимание, че някои модели изпълняват финална фаза на охлаждане, поради което тъканите може да не се усещат горещи.

В случай на спиране на тока е необходимо да натиснете бутона "Старт/Пауза" за рестартиране на цикъла.

отваряне на вратичката по време на цикъл

Вратата на барабанната сушилня може да се отвори по всяко време на цикъла, за да се провери напредъкът и да се извадят вече изсъхналите дрехи.

Въпреки това, тъй като отварянето на вратата може да удължи времето за сушене, препоръката е вратата да се държи затворена по време на целия цикъл, за да се пести време и енергия. След като затворите вратата, натиснете бутона „Старт/Пауза“ в рамките на 15 минути, за да възобновите работата на машината.

ТРАНСПОРТИРАНЕ И БОРАВЕНЕ

Никога не повдигайте сушилнята чрез хващане за горната страна.

1. Откачете сушилнята.
2. Изкарайте напълно водата от резервоара за вода.
3. Проверете дали вратичката и резервоарът за вода са добре затворени.
4. Ако маркучът за източване е свързан с канализационната система, закрепете го от задната страна на сушилнята отново (вж. Ръководството за монтаж).

ЕТИКЕТИ С УКАЗАНИЯ ЗА НАЧИНА НА ПРАНЕ

Преглеждайте етикетите на дрехите си особено когато ги сушите за първи път. Следните символи са най-често срещани:

- Подходящо за сушилня.
- Да не се суши в сушилня.
- Да се суши при висока степен на нагряване.
- Да се суши при ниска степен на нагряване.



ПРОГРАМИ

Продължителността на тези програми зависи от количеството, от типа на тъканите, скоростта на центрофугата, използвана в пералната машина, и от други допълнително избрани опции.

В моделите с дисплей, на контролния панел се показва продължителността на циклите. Оставащото време е постоянно наблюдавано и модифицирано по време на цикъла на сушене, за да се покаже възможно най-добрата оценка. Възможност, която можете да използвате - ако всичкото Ви пране на автоматичните цикли е постоянно не толкова сухо или по-сухо, отколкото бихте желали, можете да увеличите или намалите степента на изсушаване с помощта на специфичната възможност.



Еко

Макс. Тегло*

Стандартна програма за памук, подходяща за сушене на нормално влажно памучно пране. Най-ефикасната програма по отношение на потребление на енергия за сушене на памучно пране. Стойностите на енергийния етикет са въз основа на тази програма.

ЗАБЕЛЕЖКА: За оптимална енергийна ефективност този цикъл по подразбиране се задава на ниво "За гардероб". За по-високо ниво на изсушаване препоръчваме да използвате цикъла Памук.



Памучни

Макс. Тегло*

Цикъл, подходящ за сушене на всички видове памук, готови за поставяне в шкафа.



Микс

kg 4

Тази програма е идеална за сушене заедно на памучни и синтетични тъкани.



Спално бельо

Макс. Тегло*

За сушене на спално бельо от памук.



Олекотени завивки

За сушене на обемни дрехи, като единични пухени завивки.



Ризи

kg 3

Тази програма е подходяща на ризи от памук или смес от памук и синтетика.



Дънки

kg 3

За сушене на дънки и дънкови, устойчиви памучни дрехи, като панталони и якета.



Лесно гладене

Този цикъл облекчава влакната, като така прави сгъването и гладенето по-лесни. Подходящ за малки товари с пара или сух памук и памучни смеси. Не използвайте при още мокри дрехи.



Освежаване

Кратка програма, подходяща за освежаване на тъкани и облекла чрез вкаран чист въздух. Не използвайте с дрехи, които са още мокри. Може да се използва при всякакъв размер на товара, но е по-ефективен при малки товари. Цикълът отнема около 20 минути.



Бързо 30'

kg 0.5

За сушене на памучни облекла, центрофугирани на високи обороти в пералнята.



Спортни

kg 4

За сушене на спортни дрехи, синтетични или от смесен памук.



Коприна

kg 0.5

Деликатно сушене на копринени тъкани.



Вълна

kg 1

За сушене на вълнени дрехи. Препоръчително е дрехите да се обръщат преди сушене. Оставете по-дебелите ръбове, които са все още влажни, да изсъхнат естествено.



Деликатни

kg 2

За сушене на деликатни изделия, които трябва да се обработват внимателно.



Синтетични

kg 4

За сушене на пране от изкуствени влакна.

***МАКС. ТЕГЛО 9 Kg (Сух товар)**

ОПЦИИ

Тези бутони ви позволяват да персонализирате избраната програма според персоналните изисквания. Не всички опции са налични за всички програми. Някои опции могат да са несъвместими с тези, които сте настроили преди това; ако е така, ще бъдете предупредени от зумера и/или мигащите индикатори. Ако опцията е налична, индикаторът за опция ще остане включен. Програмата може да запази някои избрани опции в предишни цикли на сушене.



Степен изсуш.

натиснете няколкократно съответния бутон, за да получите различна степен на остатъчната влажност на прането. Индикатор показва степента, която избирате.



За гладене: много деликатно сушене. Дрехите ще се гладят по-лесно веднага след цикъла.



За закачалка: ниво, предназначено за деликатни дрехи; готови за закачане.



За гардероб: прането е готово за сгъване и прибиране в гардероба.



Идеално сухи: използва се за дрехи, готови за обличане след края на цикъла.



Време за сушене

Тази опция Ви позволява да изберете продължителността на сушенето. Натиснете няколко пъти съответния бутон, за да настроите желаното време за сушене. Индикатор на контролния панел показва избраното време.



Отложен старт

Тази опция ви позволява да зададете по-късно началото на програмата.

Няколкократно натиснете съответния бутон, за да получите желаното закъснение. След достигане на максималното време за избор, натискането на бутона отново, задава опцията. Индикатор на контролния панел показва времето, което избирате. След натискане на бутона за старт/пауза: машината сигнализира за оставащото време до стартиране на цикъла. Ако вратата се отвори след затваряне, бутонът за старт/пауза трябва да бъде натиснат отново.



Кратка

Позволява по-бързо сушене.



FreshCare+

Ако прането остане в барабана след завършване на цикъла, то може да се подложи на бактериално замърсяване. Тази опция помага за предотвратяване на това при контролиране на температурата и внимателно въртене на барабана. Това ще продължи за до 6 часа след края на цикъла. Тази настройка ще остане в паметта на предишния цикъл. Ако това се използва заедно със Забавен старт, третиране срещу намачкане ще се извърши по време на тази фаза чрез периодични въртенета на барабана.



Заклучване

Тази опция прави всички командни механизми на машината недостъпни, с изключение на бутона "Включване/Изключване".

При включена машина:

- еза да активирате опцията, задръжте бутона натиснат, докато машината не сигнализира, че опцията е активирана.
- за да деактивирате опцията, задръжте бутона натиснат, докато машината не сигнализира, че опцията е деактивирана. Тази опция, ако е избрана при предишното сушене, остава в паметта.



Край на програмата

Тази опция активира един удължен звуков сигнал в края на програмата. Активирайте я, ако не сте сигурни, че чувате нормалния звук за края на програмата. Тази опция, ако е избрана при предишното сушене, остава в паметта.



Безшумно

Тази опция позволява да се изключат звуковите сигнали на контролния панел. Алармите за неизправност остават активни:

- за да активирате опцията, задръжте бутона натиснат, докато съответният индикатор светне.
- за да деактивирате опцията, задръжте бутона натиснат, докато съответният индикатор изгасне.

Висока температура

Подобрява капацитета на сушене. Опция, подходяща за сушене на устойчиви дрехи, използва се с цикли с време.

Без намачкване

Тази опция извършва специално движение на барабана, което намалява усукването и завръзването на вашите дрехи. Тя дава най-добри резултати при използване с по-малки товари.

Деликатно

Позволява по-нежно третиране на прането, като намалява температурата на сушене.

ПОЧИСТВАНЕ И ПОДДРЪЖКА

ПРЕДУПРЕЖДЕНИЕ: откачете сушилната по време на процедурата по почистване и поддръжка.

Изпражнение на резервоара за събиране на вода след всеки цикъл (виж фигура А).

Извадете резервоара за събиране на вода от сушилната и го изпразнете в мивка или друг канал, след което го поставете отново правилно. Не използвайте сушилната, преди да поставите отново контейнера на място.

Почистване на филтъра на вратите след всеки цикъл (виж фигура Б).

Извадете филтъра и го почистете, като отстраните остатъците от мъх от повърхността на филтъра, измийте го под течаща вода или го отстранете с прахосмукачка. За оптимална работа изсушете всички филтри, преди да ги поставите отново.

Не използвайте сушилната, преди да поставите филтъра на място.

Как да премахнете филтъра на вратичката:

1. Отворете вратичката и издърпайте филтъра нагоре
2. Отворете филтъра и почистете всичките му части от мъх. Поставете го отново правилно; уверете се, че филтърът е напълно изравнен с уплътнението на сушилната.

Почистване на долния филтър, когато съответният индикатор е включен (виж фигура С).

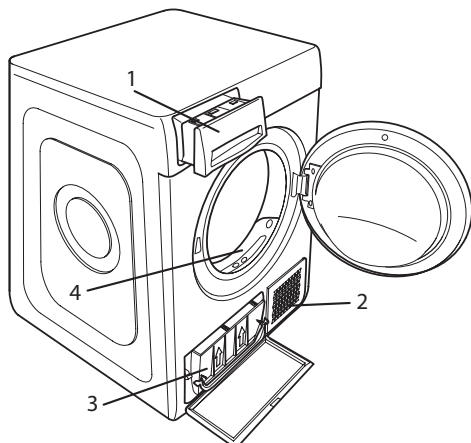
Извадете филтъра и го почистете, като отстраните остатъците от мъх от повърхността на филтъра, като го измиете под течаща вода или го почистете с прахосмукачка. Препоръчва се обаче филтърът да се почисти след всеки цикъл, за да се оптимизира качеството на сушенето. **Не използвайте сушилната, преди да поставите филтъра на място.**

Как да премахнете долния филтър:

- C1. Отворете долния капак; Хванете дръжката и издърпайте филтъра.
- C2. Отворете задната стена на филтъра и отстранете мъх от вътрешността на мрежичката.
- C3/C4. Проверявайте долната филтърна камера всеки месец. Ако по металните ребра се натрупат остатъци от мъх, почистете ги с прахосмукачка, като използвате накрайник с четка.

ОПИСАНИЕ НА ПРОДУКТА

1. Резервоар за вода
2. Отвор за въздух
3. долен филтър
4. Филтър на вратичката



Изключително важно е да се извършват вертикални движения, защото ако се опитате да почистите компонента в хоризонтална посока, може да го унищожите. Избягвайте директния контакт на ръката с перките – има опасност от порязване.

C5. Затворете задната страна на филтъра и го поставете обратно, като проверите дали е идеално поставен на мястото си, след което спуснете дръжката на филтъра.

C6. Затворете долния капак.

Уверете се, че отвора за въздуха е свободен.

Филтрите са основни компоненти на сушенето. Тяхната функция е да събират мъх, който се образува по време на сушенето. Ако филтрите се запушат, въздушният поток вътре в сушилната ще бъде сериозно нарушен: времето за изсушаване се удължава, консумира се повече енергия и може да настъпи повреда в сушилната. Ако тези операции не се извършват правилно, сушилната може да не стартира.

ЗАБЕЛЕЖКА: След почистване на филтрите съответният индикатор остава включен; това е нормално и ще изчезне, когато започнете нов цикъл на сушене.

Почистване на сушилната

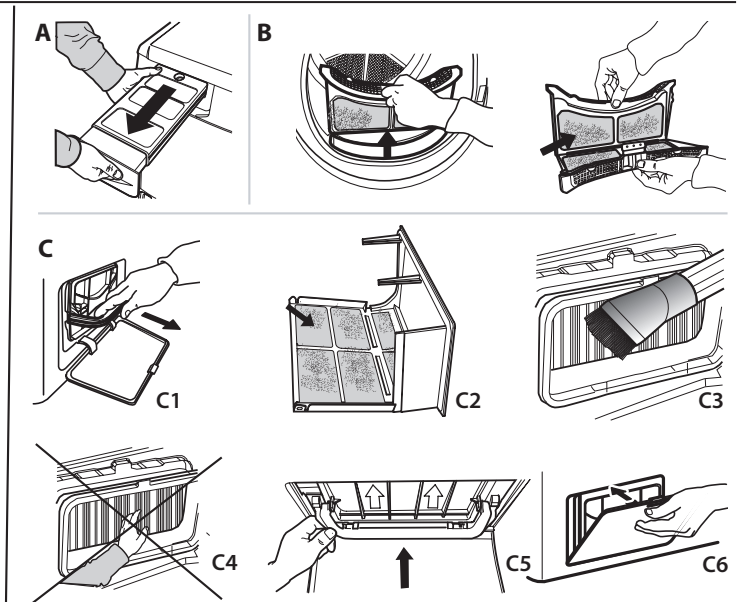
- Външните метални, пластмасови и гумени части могат да се почистват с влажен парцал.
- Почиствайте редовно предната въздушна решетка (на всеки 6 месеца) с прахосмукачка за отстраняване на влакна, власинки или прах. Допълнително отстранявайте влакната от зоните на филтъра с прахосмукачка от време на време.
- Не използвайте разтворители или абразиви.

Разход на електроенергия			
Начин: изключена (Po) - Watt		0.42	
Начин: оставена включена (PI) - Watt		2.00	
Програми	Kg	kWh	Минути
Еко*	9	2.13	211
Еко	4.5	1.19	131
Синтетични	4	0.73	95

* Референтна програма за енергийния етикет, в който се уточнява, че тя е подходяща за сушене на нормално влажно памучно пране и че това е най-ефективната програма за суседне на нормално влажно памучно пране по отношение на консумацията на енергия. (Стандартна позиция/начална).

Система за Термопомпа

Термопомпата съдържа парникови газове, съдържащи се в херметично затворен възел. Тази запечатана система съдържа 0.18 kg газ R134a. GWP = 604 (1 t CO₂).



В случай на неизправност, преди да се свържете със Сервиза, проверете таблицата по-долу. Аномалиите често са незначителни и могат да бъдат разрешени след няколко минути.

Аномалия	Вероятна причина	Решение
Времето за сушене е много дълго.	Не е извършена адекватна поддръжка.	Консултирайте се с раздел Почистване и поддръжка и изпълнете описаните операции.
	Дрехите са прекалено мокри.	Изпълнете един цикъл на пране с по-висока скорост на центрофугиране, за да елиминирате колкото е възможно повече вода.
	Температура на помещението.	Времето за сушене може да бъде по-дълго, ако температурата в помещението е извън диапазона 14 – 30° С.
	Програмата, времето и/или степента на сушене, които са зададени, не са подходящи за вида или количеството, поставено в сушилнята.	Консултирайте се с раздел "Програми и опции", за да намерите програмата и най-подходящите опции за вида натоварване.
	Сушилнята може да е претоварена.	Консултирайте се с раздел програми, за да проверите максималното натоварване за всяка програма.
Сушилнята не се включва.	Бутонът Включ./Изключ не е бил натиснат.	Натиснете бутона Включ./Изключ.
	Щепселът не е поставен в контакта на захранването.	Вкарайте щепсела в контакта на захранването.
	Контактът е повреден.	Опитайте да свържете друг уред в същия контакт. Не използвайте електрически устройства за свързване към контакта, като разклонители или удължители.
	Прекъсване на електрическата енергия.	Изчакайте електрозахранването да се възстанови и отново включете предпазителя, ако е нужно.
Сушилнята не стартира.	Вратата не е правилно затворена.	Затворете вратата.
	Зададен е късен старт на цикъла.	При сушилни с тази функция: изчакайте края на зададеното закъснение или изключете машината, за да я нулирате. Консултирайте се с раздел Опции.
	Бутонът Старт/Пауза не е натиснат, за да стартирате програмата.	Натиснете бутона Старт/Пауза.
	При уреди, оборудвани с функцията за заключване на клавишите, е включена тази опция.	Обърнете се към раздел Опции. Ако е избрано Заключване бутони, дезактивирайте го. Изключването на машината няма да дезактивира тази опция.
Прането е влажно при завършване на цикъла.	Малко зареждане.	Автоматичната програма не е усетила необходимата в края влага и сушилнята завършва програмата и спира. Ако това се случи, просто изберете допълнителен кратък период на сушене или изберете опцията extra dry, ако е налична.
	Слагате повече дрехи за пране или по-тежки тъкани.	Степента на изсушаване може да бъде променена в зависимост от желаното конкретно изсушаване. За готови за носене дрехи се препоръчва "Идеално сухи".
	Цикълът на сушене е бил спрял и не е бил активиран отново в рамките на 15 минути, което е довело до изключване на машината.	Цикълът на сушене трябва да се настрои още веднъж и да се стартира отново.
	Възможно е да е възникнала повреда в захранването, която да е довела до изключване на машината.	Цикълът на сушене трябва да се настрои още веднъж и да се стартира отново.

Индикаторите светят или мигат

Резервоар за вода	Резервоарът за вода е пълен.	Изпразнете резервоара за вода. Консултирайте се с раздел Почистване и поддръжка.
Филтър на вратичката	Аномалия във въздушния поток, необходим за работата на машината.	Почистете филтъра на вратичката и проверете дали отвора за въздуха е свободен. Ако тези операции не се извършват правилно, сушилнята може да се повреди. Консултирайте се с раздел Почистване и поддръжка.
Долен филтър*	Долният филтър трябва да се почисти.	Почистете долния филтър. Консултирайте се с раздел Почистване и поддръжка.
Наличието на символа гаечен ключ показва аномалия.	Сензорите на машината са открили някаква аномалия.	Изключете сушилнята и я изключете от захранването. Отворете веднага вратата и извадете прането, за да може топлината да се разсее. Изчакайте около 15 минути. Свържете отново сушилнята към захранването, заредете прането и рестартирайте цикъла на сушене. Ако проблемът продължава, свържете се с Обслужващия сервиз и съобщете буквите и цифрите, които мигат на дисплея. Например, F3 и E2.

*Забележка: някои модели са самопочистващи се; не са оборудвани с долен филтър, консултирайте се с раздел Почистване и поддръжка.

Фирмени политики, стандартна документация, поръчка на резервни части и допълнителна информация за продукти можете да намерите на:

- Използване на QR кода на вашето устройство
- Посетете нашия уебсайт docs.whirlpool.eu и parts-selfservice.whirlpool.com
- Като алтернатива можете да се **свържете с отдела за следпродажбено обслужване** (вижте телефонния номер в гаранционната книжка). При контакт с отдела за следпродажбено обслужване на клиенти съобщавайте кодовете, посочени на заводската табелка на Вашия уред.





DĚKUJEME VÁM, ŽE JSTE SI ZAKOUPILI VÝROBEK ZNAČKY WHIRLPOOL.
Přejete-li si získat plnou podporu,
zaregistrujte svůj výrobek na www.whirlpool.eu/register



Před použitím spotřebiče si pečlivě
přečtěte Bezpečnostní pokyny.



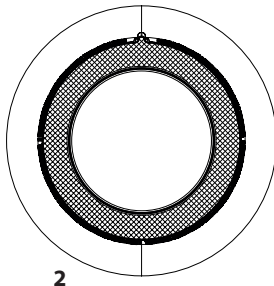
PRO ZÍSKÁNÍ PODROBNĚJŠÍCH INFORMACÍ NASKENUJTE PROSÍM QR KÓD NA VAŠEM SPOTŘEBIČI.

OVLÁDACÍ PANEL

- 1 Zapnuto/Vypnuto (při dlouhém stisku: Reset)
- 2 Programátor
- 3 Start/Pauza

Tlačítka možností*

- 4 Konec cyklu
- 5 Vysoká teplota
- 6 Anti tangle (při dlouhém stisku Mute)
- 7 Úroveň sušení
- 8 Odložený start
- 9 Časované sušení
- 10 Rychlé (při dlouhém stisku Zámek tlačítek)
- 11 Jemné
- 12 FreshCare+



*Poznámka: u některých modelů mohou být použity místo ikon plné texty.

UKAZATELE

Úroveň sušení: Sušení k žehlení - Na ramínko - Sušení k uložení - Extra Sušení

Fáze cyklu: Sušení - Chlazení - Konec cyklu

Vyprázdněte nádobu na vodu - **Vyčistěte dveřní filtr** - **Vyčistěte spodní filtr**

Viz oddíl Problémy a jejich řešení: **Závada:** Zavolat servis

PRVNÍ POUŽITÍ

Zkontrolujte, zda je nádrž na vodu správně zasunuta. Ujistěte se, že je odpadní hadice na zadní straně sušičky správně upevněna, a to buď k nádrži na vodu, nebo ke kanalizačnímu systému.

Sušičku je třeba instalovat do místnosti s teplotou v rozsahu 5 až 35 °C, aby byl zajištěn její řádný provoz.

Před použitím vaší sušičky se ujistěte, že stála ve svislé poloze nejméně 6 hodin.

BĚŽNÉ POUŽÍVÁNÍ

Budete-li se řídit těmito pokyny, docílíte MAXIMÁLNÍCH výsledků:

- **nezapomeňte po každém cyklu sušení vyprázdnit zásobník vody.**

- **nezapomeňte po každém cyklu sušení vyčistit filtry.**

Viz část Údržba a čištění.

1. Zapojte sušičku do zásuvky.
2. Otevřete dvířka a vložte prádlo; Vždy se řiďte pokyny na cedulkách oděvů a pokyny ohledně maximální kapacity daného programu. Vyprázdněte kapsy. Ujistěte se, že se vám prádlo nezaseklo mezi dvířky a/nebo ve filtru dvířek. Nevkládejte věci, ze kterých odkapává voda. V sušičce nesušte velké, nadrozměrné předměty. Pro dosažení optimálních výsledků sušení, vkládejte prádlo do sušičky po jednotlivých kusech.
3. Zavřete dvířka.
4. Stiskněte tlačítko "Zapnout/Vypnout".
5. Zvolte nejvhodnější program pro druh látky, ze které je dané oblečení.
6. V případě potřeby si vyberte z možností.
7. Sušení spusťte tlačítkem "Start/Pauza".
8. Po skončení sušicího cyklu zapípá zvukové znamení. Indikátor na ovládacím panelu značí konec cyklu. Prádlo ihned vyjměte, aby se nepomačkalo. Stroj vypněte stisknutím tlačítka "Zapnout/Vypnout", otevřete dvířka a oblečení ihned vyjměte, aby se nepomačkalo.

Pokud spotřebič nevypnete ručně, zhruba čtvrt hodiny po konci cyklu se kvůli šetření energie vypne automaticky.

Upozorňujeme, že některé modely využívají v poslední fázi sušení studený vzduch, prádlo tedy není na dotek teplé.

V případě výpadku proudu je nutné stisknout tlačítko "Start/Pauza" a cyklus tak restartovat.

Otevření dveří během pracovního cyklu

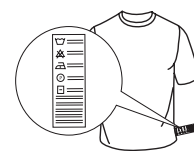
Během sušicího cyklu je možné kdykoliv otevřít dvířka sušičky a zkontrolovat stupeň usušení prádla či vyjmout již usušené kusy. Každé otevření dvířek může ale prodloužit dobu sušení prádla, pro ušetření času a energie tedy doporučujeme ponechat dvířka zavřená po celou dobu sušení.

Pro pokračování stiskněte tlačítko „Start/Pauza“ během 15 minut po zavření dvířek.

VISAČKY NA PRÁDLE

Zkontrolujte visačky na prádle, zejména při jeho prvním vložení do sušičky. Níže uvádíme nejpoužívanější symboly:

- Může se sušit v sušičce.
- Nesušit v sušičce.
- Sušit při vysoké teplotě.
- Sušit při nízké teplotě.



PROGRAMY

Doba trvání těchto programů závisí na množství náplně, na typu textilu, rychlosti odstředivky, která byla použita při praní a od dalších zvolených možností. **U modelů s displejem se čas trvání cyklů zobrazuje na ovládacím panelu.** Čas zbývající do konce se během cyklu sušení nepřetržitě monitoruje a aktualizuje, aby se zobrazoval co nejpřesnější odhad.

Možnost použití – Pokud u automatických cyklů bývá všechno vaše prádlo sušší nebo vlhčí, než požadujete, pomocí speciální funkce můžete stupeň vysušení zvýšit nebo snížit.

Eco **kg Max***

Standardní program na bavlnu vhodný k sušení normálně mokrého bavlněného prádla. Z hlediska spotřeby energie nejefektivnější program k sušení normálně mokrého bavlněného prádla. Hodnoty na energetickém štítku vycházejí z tohoto programu.

POZNÁMKA: Aby bylo zajištěno optimální využití energie, je tento cyklus v rámci výchozího nastavení nastaven na úroveň „Sušení k uložení“. Pro vyšší stupeň usušení doporučujeme použít cyklus Bavlna.

Bavlna **kg Max***

Cyklus je vhodný pro sušení všech druhů bavlněného prádla, které je připraveno k uložení do skříně.

Mix **kg 4**

Tento program je ideální pro sušení bavlněných a syntetických textilií současně, se stupněm sušení usnadňujícím žehlení.

Ložní prádlo **kg Max***

Sušení bavlněného ložního povlečení.

Příkrývky

Pro sušení objemných kusů jako například peřina.

Košile **kg 3**

Tento program je určen pro košile z bavlny nebo směsí bavlny se syntetickými vlákny.

Jeans **kg 3**

Pro sušení bavlněného denimového oblečení a oděvů vyrobených z odolných materiálů typu denim, jako jsou kalhoty či bundy.

Snadné žehlení

Tento cyklus uvolňuje vlákna a usnadňuje tak žehlení a skládání. Vhodné pro menší objemy mokrého i suchého bavlněného prádla či látek s příměsí bavlny. Nepoužívejte na stále mokré oblečení.

Osvěžení

Krátký program určený k regeneraci vláken a textilií studeným vzduchem. Nepoužívejte na ještě vlhké textilie. Může se používat s libovolným objemem náplně, ale neúčinnější je s malými náplněmi. Cyklus trvá cca 20 minut.

Rychlé 30' **kg 0.5**

K sušení bavlněných textilií po odstředění v pračce na vysokých otáčkách.

Sport **kg 4**

Pro sušení sportovních oděvů vyrobených z umělých vláken nebo bavlny.

Hedvábí **kg 0.5**

Jemné sušení hedvábnych oděvů.

Vlna **kg 1**

Pro sušení vlněných textilií. Doporučuje se textil před sušením obrátit naruby. Nejhrubší okraje, které zůstanou vlhké, nechte dosušit přirozeně na vzduchu.

Jemné prádlo **kg 2**

Pro sušení jemných tkanin, které vyžadují šetrné zacházení.

Syntetika **kg 4**

Pro sušení syntetických tkanin.

***MAX. NÁPLŇ 9 Kg (Dosušení prádla)**


MOŽNOSTI


Těmito tlačítky si můžete přizpůsobit zvolený program na míru podle svých osobních potřeb.


Ne všechny možnosti jsou k dispozici pro všechny programy. Některé možnosti nemusí být kompatibilní s těmi, které jste si zvolili dříve; V takovém případě vás na to upozorní zvukový signál a/nebo blikající indikátory. Pokud je možnost k dispozici, zůstane její indikátor rozsvícený. Program může mít zapamatované některé možnosti zvolené v předchozích cyklech.

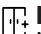
Úroveň sušení

Úroveň vysušení prádla zvolíte opakovaným tisknutím příslušného tlačítka, až dokud se nenavolí požadovaná úroveň. Ukazatel signalizuje úroveň, která je navolena.

 **Sušení k žehlení:** velmi jemné sušení. Prádlo se bude snadněji žehlit ihned po ukončení cyklu.

 **Na ramínko** míra vysušení určena pro velmi jemné textilie, které se hned vyvěsí.

 **Sušení k uložení:** prádlo bude připraveno k poskládání a uložení do skříně.

 **Extra sušení:** používá se pro oděvy, které se budou oblékat ihned po skončení cyklu.

Časované sušení

Tato možnost nabízí volbu času trvání sušení. Opakovaně tiskněte příslušné tlačítko, dokud se nenavolí požadovaný čas trvání sušení. Ukazatel na ovládacím panelu ukazuje čas, který je právě navolený.

Odložený start

Tato možnost nabízí odklad oproti začátku cyklu.

Opakovaně tiskněte příslušné tlačítko, dokud se nenavolí požadovaný časový odklad. Po dosažení nejvyššího přípustného času další stisknutí tlačítka vede ke zrušení nastavení. Ukazatel na ovládacím panelu ukazuje čas, který je právě navolený. Po stisknutí tlačítka start/pauza: stroj signalizuje čas zbývající do spuštění cyklu. V případě otevření dvířek musíte po jejich zavření zase stisknout tlačítko Start/Pauza.

Rychlé

Umožňuje rychlejší sušení.

FreshCare+

V prádle ponechaném uvnitř bubny po skončení cyklu se mohou začít šířit bakterie. Tato možnost tomu předchází tím, že hlídá teplotu a jemně otáčí bubnem. Tento režim potrvá přibližně 6 hodin po skončení cyklu. Toto nastavení zůstane mezi uchovanými informacemi o posledním cyklu. Pokud toto použijete společně s odloženým startem, proběhne v této fázi prevence zmačkání formou pravidelného otáčení bubny.

Zámek tlačítek

Tato možnost nabízí zablokování všech ovladačů na zařízení s výjimkou tlačítka Zapnuto/Vypnuto.

Zapnutý stroj:

- Pro aktivaci této možnosti podržte stisknuto tlačítko, dokud stroj nevyšle signál o aktivaci možnosti.
- Pro deaktivaci této možnosti podržte stisknuto tlačítko, dokud stroj nevyšle signál o její deaktivaci. Jestliže byla tato možnost navolena v předchozím sušení, zůstane nastavená v paměti.

Konec cyklu

Tato možnost znamená, že po skončení cyklu zazní dlouhé zvukové znamení. Používá se za předpokladu, že standardní bzučák nebude slyšet. Jestliže byla tato možnost navolena v předchozím sušení, zůstane nastavení v paměti.

Mute

Tato možnost nabízí vypnutí veškeré zvukové signalizace na ovládacím panelu. Aktivní zůstanou pouze hlášení poruch:

- pro aktivaci této možnosti podržte stisknuto tlačítko dokud se nerozsvítí příslušný ukazatel.
- pro deaktivaci této možnosti podržte stisknuto tlačítko dokud příslušný ukazatel nezhasne.

Vysoká teplota

Zlepšuje sušící výkon. Tato možnost je vhodná pro sušení odolných textilií, používá se s časovým programováním cyklů.

Anti tangle

Tato možnost zvolí speciální pohyb bubny, díky kterému

dochází k menšímu zašmodrchávání a zauzlování oblečení. Nejlépe funguje pro menší objemy prádla.

Jemné

Umožňuje jemnější zacházení s prádlem pomocí snížení teploty sušení.

ÚDRŽBA A ČIŠTĚNÍ

VAROVÁNÍ: Při čisticích a údržbářských procedurách sušičku vypojte ze zásuvky.

🗑️ Vyprázdnění sběrné nádrže na vodu po každém sušení (viz obrázek A).

Vyberte nádobku ze sušičky a vyprázdněte ji do umyvadla nebo do jiného vhodného odtoku, následně je vraťte na místo. Sušičku nikdy nepoužívejte bez sběrné nádržky.

🌀 Čištění dveřního filtru po každém sušení (viz obrázky B).

Vyjměte filtr a vyčistěte ho od případných usazenin na povrchu tak, že ho umyjete pod tekoucí vodou nebo vyčistíte vysavačem. Pro dosažení optimálního výkonu všechny filtry předtím, než je vložíte zpět na místo, vysušte. **Sušičku nikdy nepoužívejte bez filtru.**

Jak vyjmout dveřní filtr:

1. Otevřete dvířka a vytáhněte filtr směrem nahoru.
2. Otevřete filtr a vyčistěte všechny části od nánosů. Vraťte filtr na místo; ujistěte se, že je řádně osazený na doraz s těsněním sušičky.

📄 Čištění spodního filtru po rozsvícení příslušného ukazatele (viz obrázky C).

Vyjměte filtr a vyčistěte ho od případných usazenin na povrchu tak, že ho umyjete pod tekoucí vodou nebo vyčistíte vysavačem. Nicméně se doporučuje čistit tento filtr po každém sušení, aby byl sušící výkon optimální. **Sušičku nikdy nepoužívejte bez filtru.**

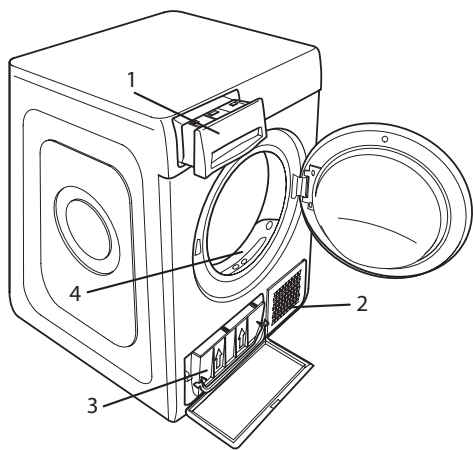
Jak vyjmout spodní filtr:

- C1. Otevřete spodní kryt; uchopte rukojeť a vytáhněte filtr ven.
- C2. Otevřete zadní stěnu filtru a odstraňte případné usazeniny z vnitřní plochy sítky.
- C3/C4. komoru spodního filtru zkontrolujte každý měsíc. Pokud na kovových částech ulpí zbytky žmolků, vyčistěte je vysavačem pomocí nástavce s kartáčkem.
- Kovové části vždy čistěte vertikálními pohyby, pokud se je pokusíte čistit vodorovně, můžete je poškodit. Na kovové části nikdy nesahejte holou rukou, předejdete tak riziku pořezání.
- C5. Zavřete zadní stranu filtru, vložte jej zpět a současně překontrolujete, zda je dokonale usazen na svém místě, poté sklopte rukojeť.
- C6. Zamkněte spodní kryt. Ujistěte se, že je otvory pro nasávání vzduchu volný.

Filtry mají pro sušení zásadní význam. Jejich úlohou je zachytit usazeniny, které se vytvářejí během sušení. Pokud by se filtry ucpaly, proudění vzduchu sušičkou by bylo značně problematické: prodloužily by se tím čas trvání sušení, vzrostla by spotřeba energie a mohlo by dojít k poškození

POPIS PRODUKTU

1. Nádrž na vodu
2. Otvory pro nasávání vzduchu
3. Spodní filtr
4. Dveřní filtr



sušičky. Jestliže se tyto operace nebudou provádět správným způsobem, nebude možné sušičku uvést do chodu.

POZNÁMKA: I po vyčištění filtrů zůstane svítit příslušný indikátor; jde o normální jev, zhasne, jakmile spustíte nový sušící cyklus.

Čištění sušičky

- Vnější kovové, plastové i gumové části lze čistit mokřým hadříkem.
- Přední mřížku pro nasávání vzduchu čistěte pravidelně (každých 6 měsíců) vysavačem, abyste z ní odstranili veškeré žmolky, chomáčky nebo zbytky prachu. Občas také odstraňte vysavačem zbytky žmolků z oblasti filtrů.
- Nepoužívejte rozpouštědla ani abraziva.

PŘEPRAVA A MANIPULACE

Sušičku nikdy nezdvíhejte za vrchní část.

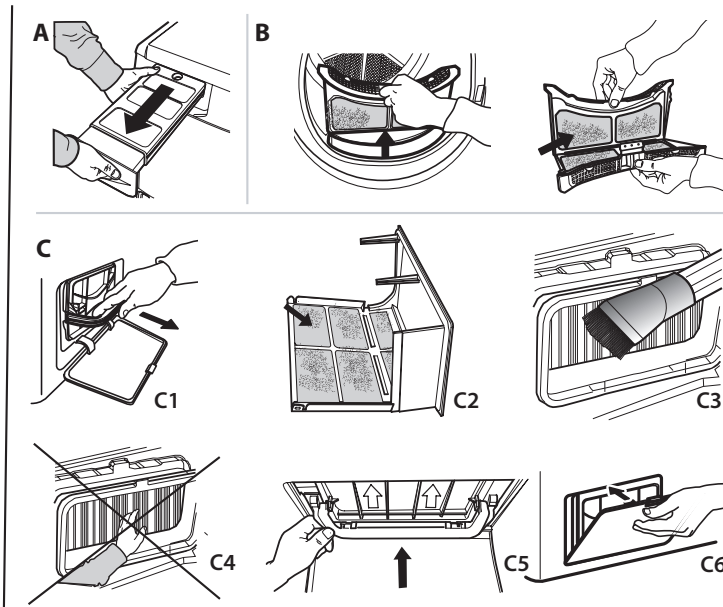
1. Odpojte sušičku od sítě.
2. Odstraňte veškerou vodu ze zásobníku.
3. Ujistěte se, že jsou dvířka a zásobník na vodu důkladně uzavřené.
4. Je-li vypouštěcí hadice napojena na kanalizační systém, opětovně ji připevněte na zadní stranu sušičky (viz Průvodce instalací).

Příkon			
Ve vypnutém stavu (Po) - Watt		0.42	
V pohotovostním stavu (Pl) - Watt		2.00	
Programy	Kg	kWh	Minuty
Eco * ◻	9	2.13	211
Eco ◻	4.5	1.19	131
Syntetika	4	0.73	95

* Referenční program pro energetický štítek, tento program je vhodný pro sušení bavlněného prádla a jedná se o neúčinnější program pro bavlnu z hlediska spotřeby energie. (Počáteční standardní nastavení).

Instalace s tepelným čerpadlem

Tepelné čerpadlo používá skleníkové plyny, které se nacházejí v hermeticky zaplombované jednotce. V této zaplombované jednotce se nachází 0.18 kg plynu R134a. GWP = 604 (1 t CO₂).



V případě poruchy si ještě předtím, než zavoláte centrum zákaznické podpory, prostudujte následující tabulku. Shledané anomálie jsou často málo závažné a lze je vyřešit během několika minut.

Chyba	Možná příčina	Postup
Příliš dlouhé časy sušení.	Nebyla provedena potřebná údržba.	Přečtěte si oddíl ÚDRŽBA A ČIŠTĚNÍ a proveďte požadované operace.
	Textilie jsou příliš mokré.	Proveďte prací cyklus s odstředěním ve vysokých otáčkách, aby se vyždímalo co nejvíc vody.
	Pokojevá teplota.	Doba schnutí může trvat déle, pokud je pokojová teplota v rozsahu 14–30 °C.
	Navolený program, čas a/nebo úroveň sušení nejsou vhodné pro daný typ nebo objem náplně v sušičce.	Přečtěte si oddíl Programy a možnosti, kde si můžete vybrat nevhodnější program a možnosti pro dané textilie.
	Příčinou může být přetížení sušičky.	Přečtěte si oddíl Programy, kde zjistíte maximální příslušnou hmotnost náplně pro každý program.
Sušička se nechce zapnout.	Tlačítko Zapnuto/Vypnuto nebylo stisknuto.	Stiskněte tlačítko Zapnout/Vypnout.
	Zástrčka není správně zapojena do elektrické zásuvky.	Zasuňte zástrčku do síťové zásuvky.
	Elektrická zásuvka je vadná.	Pokuste se do stejné zásuvky připojit jiný elektrický spotřebič. Nepoužívejte k připojení do elektrické sítě zařízení jako jsou adaptéry nebo prodlužovačky.
	Došlo k přerušování dodávky elektrického proudu.	Počkejte, než bude obnoven přívod proudu a v případě potřeby opět sepněte pojistky.
Sušička se nechce uvést do činnosti.	Nejsou řádně zavřená dvířka.	Zavřete dvířka.
	Byl navolen odložený start cyklu.	Pro stroje s touto funkcí: počkejte, až uplyne nastavený čas odkladu startu nebo vypněte stroj, aby se nastavení vynulovalo. Přečtěte si oddíl Možnosti.
	Nebylo stisknuto tlačítko Start/Pauza pro spuštění programu.	Stiskněte tlačítko Start/Pauza.
	Na strojích s funkcí zámku tlačítek: byla zvolena tato možnost.	Viz Výběr možností. Pokud byl zvolen Zámek tlačítek, vypněte jej. Vypnutí stroje neznemožní použití této možnosti.
Prádlo je po dokončení cyklu mokré.	Malá náplň.	Automatický program nedetekoval požadovanou konečnou vlhkost a sušička program dokončí a zastaví se. Pokud k tomu dojde, jednoduše vyberte další kratkou dobu sušení, popřípadě vyberte možnost „extra suché“, pokud je tato možnost k dispozici.
	Velké dávky nebo těžší tkaniny.	Stupně vysušení lze měnit podle požadované míry usušení. Možnost „Extra sušení“ se doporučuje pro oblečení, které lze hned oblékat.
	Sušicí cyklus byl přerušen a během 15 minut nebyl znovu spuštěn, proto se spotřebič vypnul.	Sušicí cyklus byl znovu nastaven a spuštěn.
	Pravděpodobně došlo k výpadku elektrického napájení, proto se spotřebič vypnul.	Sušicí cyklus byl znovu nastaven a spuštěn.

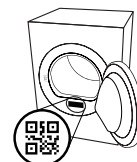
Světelné ukazatele

Nádrž na vodu	Sběrná nádrž na vodu je plná.	Vyprázdněte nádržku na vodu. Přečtěte si oddíl ÚDRŽBA A ČIŠTĚNÍ.
Dveřní filtr	Porucha proudění vzduchu nezbytného pro práci stroje.	Vyčistěte dveřní filtr a zkontrolujte, zda je otvory pro nasávání vzduchu volný. Jestliže se tyto operace nebudou provádět správným způsobem, může se sušička poškodit. Přečtěte si oddíl ÚDRŽBA A ČIŠTĚNÍ.
Spodní filtr*	Spodní filtr se musí vyčistit.	Vyčistěte spodní filtr. Přečtěte si oddíl ÚDRŽBA A ČIŠTĚNÍ.
Symbol anglického klíče označuje poruchu.	Snímače stroje zaznamenaly poruchu.	Vypněte sušičku a odpojte ji od elektrického napájení. Ihned otevřete dvířka a vyložte prádlo, aby se rozptýlilo teplo. Počkejte přibližně 15 minut. Připojte sušičku opět k elektrické síti, naložte prádlo a znovu spusťte cyklus sušení. Jestliže problém přetrvává, kontaktujte centrum zákaznické podpory, kde oznámíte abecedně-číselné kódy, které blikají na displeji. Například F3 a E2.

*Poznámka: některé modely jsou samočisticí; nejsou vybaveny spodním filtrem - přečtěte si oddíl ÚDRŽBA A ČIŠTĚNÍ.

Firemní zásady, standardní dokumentaci, objednávky náhradních dílů a další informace o výrobku získáte:

- Pomocí QR kódu ve vašem spotřebiči
- Návštěvou našeho webu docs.whirlpool.eu a parts-selfservice.whirlpool.com
- Případně **kontaktujte náš poprodejní servis** (telefonní číslo najdete v záručním listě). Při kontaktování našeho poprodejního servisu prosím uveďte kódy na identifikačním štítku produktu.





ΣΑΣ ΕΥΧΑΡΙΣΤΟΥΜΕ ΠΟΥ ΑΓΟΡΑΣΑΤΕ ΕΝΑ ΠΡΟΪΟΝ WHIRLPOOL.
Για να λάβετε πλήρη τεχνική υποστήριξη, παρακαλούμε να καταχωρίσετε τη συσκευή σας στην ιστοσελίδα www.whirlpool.eu/register



Διαβάστε τις οδηγίες για την ασφάλεια προσεκτικά πριν χρησιμοποιήσετε τη συσκευή.



ΣΑΡΩΣΤΕ ΤΟΝ ΚΩΔΙΚΟ QR ΣΤΗ ΣΥΣΚΕΥΗ ΣΑΣ ΓΙΑ ΠΙΟ ΛΕΠΤΟΜΕΡΕΙΣ ΠΛΗΡΟΦΟΡΙΕΣ.

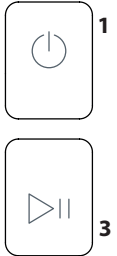
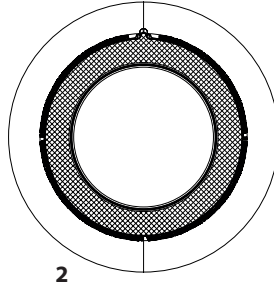


ΠΙΝΑΚΑΣ ΕΛΕΓΧΟΥ

- 1 Αναμμέν/Σβηστό (Αν πατηθεί επί μακρόν γίνεται επαναφορά)
- 2 Κουμπί προγραμμάτων
- 3 Έναρξη/Παύση

Πλήκτρα επιλογών*

- 4 Τέλος κύκλ
- 5 Υψηλή θερμοκρασία
- 6 Ξεμπλεξιμο (Αν πατηθεί επί μακρόν γίνεται Σιωπηλό)
- 7 Επιπεδο στεγνωμ
- 8 Καθυστερηση έναρξης
- 9 Χρονος στεγνωματος
- 10 Γρήγορο (Αν πατηθεί επί μακρόν γίνεται Πληκτ μπλοκ)
- 11 Απαλο
- 12 FreshCare+/ ΦρεσΚεαρ+



* Σημείωση: ορισμένα μοντέλα ενδέχεται να έχουν εκτεταμένη διατύπωση αντί για εικόνες.

ΔΕΙΚΤΕΣ

Επιπεδο στεγνωμ: Για σίδερο - Για κρεμάστρα - Στεγνά - Έξτρα στέγνωμα

Φάση κύκλου: Στέγνωμα - Ψύξη - Τέλος του κύκλου

Αδειάστε το δοχείο νερού - **Καθαρίστε το φίλτρο πόρτας** - **καθαρίστε το κάτω φίλτρο**

Συμβουλευτείτε την ενότητα προβλήματα και λύσεις: **Βλάβη:** Κλήση στην τεχνική εξυπηρέτηση.

ΠΡΩΤΗ ΧΡΗΣΗ

Βεβαιωθείτε ότι το δοχείο νερού είναι σωστά τοποθετημένο. Βεβαιωθείτε ότι ο σωλήνας αποστράγγισης στο πίσω μέρος του στεγνωτηρίου είναι στερεωμένος καλά είτε στο δοχείο νερού του στεγνωτηρίου ή στο οικιακό σύστημα αποχέτευσης. Το στεγνωτήριο πρέπει να εγκατασταθεί σε δωμάτιο με θερμοκρασία μεταξύ 5 °C και 35 °C, προκειμένου να εξασφαλιστεί η σωστή λειτουργία του. Πριν χρησιμοποιήσετε το στεγνωτήριο, βεβαιωθείτε ότι έχει παραμείνει σε κάθετη θέση για τουλάχιστον 6 ώρες.

ΚΑΘΗΜΕΡΙΝΗ ΧΡΗΣΗ

Αυτό θα κάνει τη συσκευή σας να λειτουργεί ΑΡΙΣΤΑ:

- αδειάζετε τη δεξαμενή νερού μετά από κάθε κύκλο στεγνωμάτος.
- μην ξεχνάτε να καθαρίζετε τα φίλτρα σας μετά από κάθε κύκλο στεγνωμάτος.

Ανατρέξτε στην ενότητα Φροντίδα και Συντήρηση.

1. Συνδέστε το στεγνωτήριο στην πρίζα.
2. Ανοίξτε την πόρτα και φορτώστε τα ρούχα. Ανατρέχετε πάντα στις οδηγίες που υπάρχουν στις ετικέτες των ρούχων και τα μέγιστα φορτία που αναφέρονται στην ενότητα προγράμματος. Αδειάστε τις τσέπες. Βεβαιωθείτε ότι τα ρούχα δεν πιάνονται μεταξύ της πόρτας ή/και του φίλτρου της πόρτας. Μην τοποθετείτε αντικείμενα που στάζουν βρεγμένα. Μην στεγνώνετε μεγάλα, πολύ ογκώδη αντικείμενα. Για βέλτιστο αποτέλεσμα στεγνωμάτος, τα ρούχα θα πρέπει να φορτώνονται ένα προς ένα.
3. Κλείστε την πόρτα.
4. Πατήστε το κουμπί "Αναμμέν/Σβηστό".
5. Επιλέξτε το πιο κατάλληλο πρόγραμμα για τον τύπο υφάσματος σε αυτό το φορτίο.
6. Ορίστε τις επιλογές, εάν είναι απαραίτητο.
7. Πατήστε το κουμπί "Έναρξη/Παύση" για να αρχίσει να στεγνώνει.
8. Στο τέλος του κύκλου στεγνωμάτος, ηχεί ένας βομβητής. Μια ένδειξη στον πίνακα ελέγχου σηματοδοτεί το τέλος του κύκλου. Απενεργοποιήστε το μηχάνημα πατώντας το κουμπί "Αναμμέν/Σβηστό", ανοίξτε την πόρτα και τραβήξτε αμέσως το φορτίο για να αποφύγετε τον σχηματισμό πτυχώσεων στα ρούχα.

Εάν το μηχάνημα δεν απενεργοποιηθεί χειροκίνητα, μετά από περίπου ένα τέταρτο της ώρας από το τέλος του κύκλου, η συσκευή σβήνει αυτόματα για εξοικονόμηση ενέργειας. Λάβετε υπόψη ότι ορισμένα μοντέλα εκτελούν μια τελική δροσερή φάση αναρρόφησης, για αυτόν τον λόγο τα υφάσματα ενδέχεται να μην φαίνεται ότι είναι ζεστά.

Σε περίπτωση διακοπής ρεύματος, είναι απαραίτητο να πατήσετε το κουμπί "Έναρξη/Παύση" για επανεκκίνηση του κύκλου.

Ανοιγμα της πόρτας κατα τη διάρκεια του κύκλου

Η πόρτα του στεγνωτηρίου μπορεί να ανοίξει οποιαδήποτε στιγμή κατά τη διάρκεια του κύκλου για να ελέγξετε την πρόοδο και να αφαιρέσετε τυχόν ρούχα που είναι ήδη στεγνά. Ωστόσο, επειδή το άνοιγμα της πόρτας μπορεί να παρατείνει το χρόνο στεγνωμάτος, η σύσταση είναι να κρατάτε την πόρτα κλειστή καθ' όλη τη διάρκεια του κύκλου για εξοικονόμηση χρόνου και ενέργειας. Αφού κλείσετε την πόρτα, πατήστε το κουμπί "Start/Pause" (Έναρξη/Παύση) εντός 15 λεπτών για να συνεχίσει η λειτουργία της μηχανής.

ΜΕΤΑΦΟΡΑ ΚΑΙ ΧΕΙΡΙΣΜΟΣ

Ποτέ μην σηκώνετε το στεγνωτήριο κρατώντας το στην πάνω πλευρά του.

1. Βγάλτε το στεγνωτήριο από την πρίζα.
2. Αφαιρέστε εντελώς το νερό από τη δεξαμενή νερού.
3. Βεβαιωθείτε ότι η πόρτα και η δεξαμενή νερού είναι κλειστά.
4. Αν ο εύκαμπτος σωλήνας συνδέεται σε σύστημα αποχέτευσης, στερεώστε τον εύκαμπτο σωλήνα στην πίσω πλευρά του στεγνωτηρίου ξανά (δείτε τον Οδηγό Εγκατάστασης).

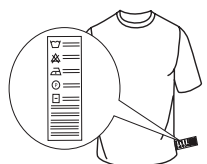
Καθαρισμός του στεγνωτηρίου

- Τα εξωτερικά μεταλλικά, πλαστικά και ελαστικά μέρη μπορούν να καθαριστούν με ένα υγρό πανί.
- Καθαρίζετε τακτικά τη μάσκα εισαγωγής αέρα (κάθε 6 μήνες) με ηλεκτρική σκούπα για να αφαιρέσετε τυχόν χνούδια, μαλούπες ή επικαθίσεις σκόνης. Επιπλέον, αφαιρέστε τυχόν εναποθέσεις από χνούδι από την περιοχή των φίλτρων, χρησιμοποιώντας κατά διαστήματα μια ηλεκτρική σκούπα.
- Μη χρησιμοποιείτε διαλύτες ή λειαντικά.

ΕΤΙΚΕΤΕΣ ΣΥΝΤΗΡΗΣΗΣ

Ελέγξτε τις ετικέτες των ρούχων, ειδικά όταν αυτά μπαίνουν για πρώτη φορά σε στεγνωτήριο. Στη συνέχεια αναφέρονται τα πιο συνήθη σύμβολα:

- Μπορεί να μπει στο στεγνωτήριο.
- Δεν μπορεί να στεγνώσει σε στεγνωτήριο.
- Στεγνώστε σε υψηλή θερμοκρασία.
- Στεγνώστε σε χαμηλή θερμοκρασία.



ΠΡΟΓΡΑΜΜΑΤΑ

Η διάρκεια αυτών των προγραμμάτων εξαρτάται από το μέγεθος του φορτίου, τον τύπο των υφασμάτων, την ταχύτητα της φυγοκέντρου που χρησιμοποιείται στο πλυντήριο σας και άλλες επιλεγμένες επιλογές. **Στα μοντέλα με οθόνη εμφανίζεται στον πίνακα ελέγχου η διάρκεια των κύκλων.** Ο υπόλοιπος χρόνος εμφανίζεται συνεχώς και τροποποιείται κατά τη διάρκεια του κύκλου στεγνώματος για να δείξει την καλύτερη δυνατή εκτίμηση. Επιλογή για χρήση - Εάν όλα τα φορτία σας στους Αυτόματους Κύκλους είναι σταθερά λιγότερο στεγνά ή πιο στεγνά από ό,τι θα θέλατε, μπορείτε να αυξήσετε ή να μειώσετε το επίπεδο στεγνώματος χρησιμοποιώντας τη συγκεκριμένη επιλογή.

Eco **Μέγιστο φορτίο***

Τυπικό πρόγραμμα για βαμβακερά, κατάλληλο για κανονικό στέγνωμα υγρών βαμβακερών ρούχων. Πιο αποτελεσματικό πρόγραμμα ως προς την κατανάλωση ενέργειας για το στέγνωμα βαμβακερών ρούχων. Οι τιμές στην ετικέτα ενέργειας βασίζονται σε αυτό το πρόγραμμα.

ΣΗΜΕΙΩΣΗ: Για βέλτιστη ενεργειακή απόδοση, αυτός ο κύκλος έχει ρυθμιστεί από προεπιλογή στο επίπεδο "Στεγνά". Για υψηλότερο ΕΠΙΠΕΔΟ ΣΤΕΓΝΩΜ. προτείνουμε τη χρήση του κύκλου Βαμβακερά.

Βαμβακερά **Μέγιστο φορτίο***

Κύκλος κατάλληλος για στέγνωμα όλων των τύπων βαμβακερών, έτοιμα για τοποθέτηση στο ντουλάπι.

Μικτά **kg 4**

Αυτό το πρόγραμμα είναι ιδανικό για να στεγνώσετε μαζί βαμβακερά και συνθετικά υφάσματα.

Σεντόνια **Μέγιστο φορτίο***

Για να στεγνώσετε βαμβακερά σεντόνια.

Παπλωματά

Για να στεγνώνετε ογκώδη αντικείμενα όπως ένα μονό πάπλωμα.

Πουκάμισα **kg 3**

Αυτό το πρόγραμμα προορίζεται για πουκάμισα από βαμβάκι ή ανάμικτο βαμβάκι/συνθετικό.

Τζιν **kg 3**

Για το στέγνωμα βαμβακερών τζιν και ρούχων από ανθεκτικό υλικό τύπου τζιν όπως παντελόνια και μπουφάν.

Ευκολο σιδερωμα

Αυτός ο κύκλος χαλαρώνει τις ίνες, διευκολύνοντας έτσι το σιδερωμα και το δίπλωμα. Κατάλληλο για μικρό φορτίο υγρασίας ή στεγνό βαμβακιού και βαμβακερών υφασμάτων. Μην το χρησιμοποιείτε με βρεγμένα ρούχα.

Φρεσκαρισμα

Σύντομο πρόγραμμα κατάλληλο για φρεσκάρισμα ινών και ενδυμάτων μέσω εκπομπής καθαρού αέρα. Μη χρησιμοποιείτε με ρούχα που είναι ακόμα υγρά. Μπορεί να χρησιμοποιηθεί σε οποιοδήποτε μέγεθος φορτίου, αλλά είναι πιο αποτελεσματικό σε μικρά φορτία. Ο κύκλος διαρκεί περίπου 20 λεπτά.

Γρήγορο 30' **kg 0.5**

Για να στεγνώσετε τα βαμβακερά ρούχα που στύφτηκαν σε υψηλή ταχύτητα στο πλυντήριο.

Αθλητικά **kg 4**

Για αθλητικά ρούχα από συνθετικό ύφασμα ή βαμβάκι.

Μεταξωτά **kg 0.5**

Απαλό στέγνωμα για μεταξωτά ρούχα.

Μαλλίνα **kg 1**

Για να στεγνώσετε τα μαλλίνα ρούχα. Συνιστάται να γυρίσετε τα ρούχα απ' την ανάποδη πριν από το στέγνωμα. Αφήστε τα βαρύτερα άκρα που είναι ακόμη υγρά να στεγνώσουν φυσιολογικά.

Ευαίσθητα **kg 2**

Για το στέγνωμα ευαίσθητων ρούχων που απαιτούν ιδιαίτερη προσοχή.

Συνθετικά **kg 4**

Για το στέγνωμα ρούχων από συνθετικές ίνες.


***Μ'ΕΓΙΣΤΟ ΦΟΡΤΙΟ 9 Kg (Στεγνό φορτίο)**


ΕΠΙΛΟΓΕΣ


Αυτά τα κουμπιά σας επιτρέπουν να εξατομικεύσετε το επιλεγμένο πρόγραμμα σύμφωνα με τις προσωπικές απαιτήσεις. Δεν είναι διαθέσιμες όλες οι επιλογές για όλα τα προγράμματα. Ορισμένες επιλογές ενδέχεται να μην είναι συμβατές με αυτές που έχετε ορίσει προηγουμένως. Εάν ναι, θα ειδοποιηθείτε από τις ενδείξεις του βομβητή ή/και τις ενδείξεις που αναβοσβήνουν. Εάν η επιλογή είναι διαθέσιμη, η ένδειξη επιλογής θα παραμείνει αναμμένη. Το πρόγραμμα μπορεί να διατηρήσει ορισμένες επιλογές που έχουν επιλεγεί σε προηγούμενους κύκλους στεγνώματος.

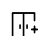
Επιπεδο στεγνωμ

πατήστε το σχετικό κουμπί αρκετές φορές για να λάβετε ένα διαφορετικό επίπεδο παραμένουσας υγρασίας στα ρούχα. Μια ένδειξη δείχνει το επίπεδο που επιλέγετε.

 **Για Σίδερο:** πολύ απαλό στέγνωμα. Τα ρούχα θα σιδερώνονται πιο εύκολα αμέσως μετά τον κύκλο.

 **Για κρεμάστρα:** επίπεδο μελετημένο για ευαίσθητα ενδύματα. Έτοιμα για να κρεμαστούν.

 **Για ντουλάπα:** τα ρούχα είναι έτοιμα να διπλωθούν και να φυλαχτούν στην ντουλάπα.

 **Έξτρα στέγνωμα:** χρησιμοποιείται για ενδύματα που θα φορεθούν στο τέλος του κύκλου.

Χρονος στεγνωματος

Αυτή η επιλογή σας επιτρέπει να επιλέξετε τη διάρκεια του στεγνώματος. Πατήστε επανειλημμένα το αντίστοιχο πλήκτρο για να ρυθμίσετε τον επιθυμητό χρόνο στεγνώματος. Μια ένδειξη στον πίνακα ελέγχου δείχνει την ώρα που επιλέγετε.

Καθυστερηση εναρξης

Αυτή η επιλογή σας επιτρέπει να ορίσετε μια καθυστέρηση σε σχέση με την έναρξη του κύκλου. Πατήστε επανειλημμένα το αντίστοιχο κουμπί για να λάβετε την επιθυμητή καθυστέρηση. Αφού φτάσετε στον μέγιστο επιλεγμένο χρόνο, πατώντας ξανά το κουμπί επαναφέρετε την επιλογή. Μια ένδειξη στον πίνακα ελέγχου δείχνει το χρόνο που επιλέγετε. Αφού πατήσετε το πλήκτρο έναρξης/παύσης: η συσκευή σηματοδοτεί τον υπόλοιπο χρόνο για την εκκίνηση του κύκλου. Εάν η πόρτα ανοίξει, μετά το κλείσιμο, πρέπει να πατηθεί ξανά το πλήκτρο έναρξης/παύσης.

Γρήγορο

Ενεργοποιεί το γρήγορο στέγνωμα.

FreshCare+ / ΦρεσΚεαρ+

Εάν τα ρούχα παραμείνουν στο εσωτερικό του κάδου μόλις τελειώσει ο κύκλος, μπορεί να προκληθεί πολλαπλασιασμός βακτηριδίων. Αυτή η επιλογή συμβάλλει στην αποτροπή αυτού του γεγονότος ελέγχοντας τη θερμοκρασία και περιστρέφοντας απαλά το τύμπανο. Αυτό θα συνεχιστεί για έως και 6 ώρες μετά το τέλος του κύκλου. Αυτή η ρύθμιση θα παραμείνει στη μνήμη του προηγούμενου κύκλου. Εάν αυτό χρησιμοποιείται παράλληλα με το Start Delay (Έναρξη καθυστέρησης), θα πραγματοποιηθεί μια επεξεργασία προστασίας των ρούχων από το τσαλάκωμα κατά τη διάρκεια αυτής της φάσης με περιοδικές περιστροφές του τυμπάνου.

—Ο Πλήκτ μπλοκ

Αυτή η επιλογή καθιστά απενεργοποιησίμα όλα τα χειριστήρια του μηχανήματος, εκτός από το κουμπί "Αναμμέν/Σβηστό".

Με το μηχανήμα ενεργοποιημένο:

- Για να ενεργοποιήσετε την επιλογή, κρατήστε πατημένο το πλήκτρο έως ότου το μηχανήμα σηματοδοτήσει την ενεργοποίηση της επιλογής.
- Για να απενεργοποιήσετε την επιλογή, κρατήστε πατημένο το πλήκτρο έως ότου το μηχανήμα σηματοδοτήσει την απενεργοποίηση της επιλογής.

Αυτή η επιλογή, αν επιλεγεί κατά το προηγούμενο στέγνωμα, παραμένει στη μνήμη.

Τελος κυκλ

Αυτή η επιλογή ενεργοποιεί ένα παρατεταμένο ακουστικό σήμα στο τέλος του κύκλου. Ενεργοποιήστε την αν δεν είστε σίγουροι ότι ακούτε τον κανονικό ήχο του τέλους του κύκλου. Αυτή η επιλογή, εάν επιλεγεί κατά το προηγούμενο στέγνωμα, παραμένει στη μνήμη.

Σιωπηλο

Αυτή η επιλογή επιτρέπει την απενεργοποίηση των ηχητικών σημάτων του πίνακα ελέγχου. Οι συναγερμοί δυσλειτουργίας παραμένουν ενεργοί.

- για να ενεργοποιήσετε την επιλογή, κρατήστε πατημένο το κουμπί μέχρι να ανάψει η αντίστοιχη ενδεικτική λυχνία.

- για να απενεργοποιήσετε την επιλογή, κρατήστε πατημένο το κουμπί μέχρι να σβήσει η σχετική ένδειξη.

Υψηλή θερμοκρασία

Βελτιώνει την ικανότητα στεγνώματος. Επιλογή κατάλληλη για το στέγνωμα ανθεκτικών ενδυμάτων, που χρησιμοποιούνται με χρονομετρημένους κύκλους.

Ξεμπλεξιμο

Αυτή η επιλογή εκτελεί μια ειδική κίνηση του τυμπάνου που μειώνει το μπλέξιμο και το δέσιμο των ρούχων σας. Δίνει καλύτερα αποτελέσματα όταν χρησιμοποιείται με μικρότερα φορτία.

Απαλο

Ενεργοποιεί μια πιο ελαφριά επεξεργασία των ρούχων μειώνοντας τη θερμοκρασία στεγνώματος.

ΦΡΟΝΤΙΔΑ ΚΑΙ ΣΥΝΤΗΡΗΣΗ

ΠΡΟΕΙΔΟΠΟΙΗΣΗ: αποσυνδέστε το στεγνωτήριο από το ρεύμα κατά τις διαδικασίες καθαρισμού και συντήρησης.

Εκκένωση του δοχείου περισυλλογής του νερού μετά από κάθε κύκλο (βλέπε εικόνα Α).

Βγάλτε το δοχείο από το στεγνωτήριο και αδειάστε το σε ένα νεροχύτη ή άλλη κατάλληλη αποχέτευση και στη συνέχεια τοποθετήστε το πάλι σωστά. Μη χρησιμοποιήσετε το στεγνωτήριο χωρίς να έχετε επανατοποθετήσει προηγούμενα το δοχείο στη θέση του.

Καθαρισμός του φίλτρου πόρτας μετά από κάθε κύκλο (βλέπε εικόνες Β).

Βγάλτε το φίλτρο και καθαρίστε το απομακρύνοντας τα κατάλοιπα χνουδιών από την επιφάνεια του φίλτρου πλένοντας το κάτω από τρεχούμενο νερό ή απορροφώντας με ηλεκτρική σκούπα. Για βέλτιστη απόδοση, στεγνώστε καλά όλα τα φίλτρα πριν τα τοποθετήσετε ξανά στη θέση τους. **Μη χρησιμοποιήσετε το στεγνωτήριο χωρίς να έχετε επανατοποθετήσει προηγούμενα το φίλτρο στη θέση του.**

Πώς να αφαιρέσετε το φίλτρο πόρτας:

1. Ανοίξτε την πόρτα και τραβήξτε το φίλτρο προς τα επάνω.
2. Ανοίξτε το φίλτρο και καθαρίστε το, σε όλα του τα μέρη, από τα χνουδία. Τοποθετήστε το πάλι σωστά. Βεβαιωθείτε ότι το φίλτρο έχει εισαχθεί εντελώς στο ίδιο επίπεδο με το λάστιχο του στεγνωτηρίου.

Καθαρισμός του κάτω φίλτρου όταν ανάψει ο σχετικός δείκτης (βλέπε εικόνες C).

Βγάλτε το φίλτρο και καθαρίστε το απομακρύνοντας ενδεχόμενα κατάλοιπα χνουδιών από την επιφάνεια του φίλτρου πλένοντας το κάτω από τρεχούμενο νερό ή απορροφώντας με ηλεκτρική σκούπα. Συνιστάται ωστόσο να καθαρίζετε αυτό το φίλτρο μετά από κάθε κύκλο για να βελτιστοποιήσετε τις επιδόσεις του στεγνώματος.

Μη χρησιμοποιήσετε το στεγνωτήριο χωρίς να έχετε επανατοποθετήσει προηγούμενα το φίλτρο στη θέση του.

Πώς να αφαιρέσετε το κάτω φίλτρο:

- C1. Ανοίξτε το κάτω κάλυμμα. Πιάστε τη λαβή και τραβήξτε το φίλτρο προς τα έξω.

C2. Ανοίξτε το οπίσθιο τοίχωμα του φίλτρου και απομακρύνετε τα ενδεχόμενα χνουδία από την εσωτερική επιφάνεια του διχτυού.

C3/C4. Ελέγχετε τον κάτω θάλαμο φίλτρου κάθε μήνα. Εάν δείτε υπολείμματα από χνουδία συσσωρευμένα στα μεταλλικά πτερύγια, καθαρίστε τα με μια ηλεκτρική σκούπα, χρησιμοποιώντας ένα ακροφύσιο με βούρτσα.

Είναι πολύ σημαντικό να κάνετε κάθετες κινήσεις, μπορεί να καταστρέψετε το εξάρτημα εάν προσπαθήσετε να το καθαρίσετε σε οριζόντια κατεύθυνση. Αποφύγετε την άμεση επαφή του χεριού με τα πτερύγια - υπάρχει κίνδυνος να κοπείτε.

C5. Κλείστε την πίσω πλευρά του φίλτρου και τοποθετήστε το πίσω ελέγχοντας ότι έχει ενσωματωθεί τέλεια στη θέση του, μετά χαμηλώστε τη λαβή του φίλτρου.

C6. Κλείστε την κάτω κάλυμμα.

Βεβαιωθείτε ότι το καπάκι του συμπυκνωτή είναι ελεύθερο.

Τα φίλτρα είναι βασικά συστατικά του στεγνώματος. Η λειτουργία τους είναι να συλλέγουν το χνούδι που σχηματίζεται κατά το στέγνωμα. Στην περίπτωση που τα φίλτρα φράξουν, η ροή αέρα μέσα στο στεγνωτήριο θα υπονομευθεί σοβαρά: οι χρόνοι στεγνώματος είναι μεγαλύτεροι, καταναλώνεται περισσότερη ενέργεια και μπορεί να συμβεί ζημιά στο στεγνωτήριο. Εάν οι λειτουργίες αυτές δεν εκτελούνται σωστά, το στεγνωτήριο δεν μπορεί να ξεκινήσει.

ΣΗΜΕΙΩΣΗ: Μετά τον καθαρισμό των φίλτρων η σχετική ένδειξη παραμένει αναμμένη. Αυτό είναι φυσιολογικό, θα εξαφανιστεί όταν ξεκινήσετε έναν νέο κύκλο στεγνώματος.

Κατανάλωση ισχύος			
Εκτός λειτουργίας (Po) - Watts	0.42		
Κατάσταση αναμονής (Pi) - Watts	2.00		
Προγράμματα	Kg	kWh	Λεπτά
Eco*	9	2.13	211
Eco	4.5	1.19	131
Συνθετικά	4	0.73	95

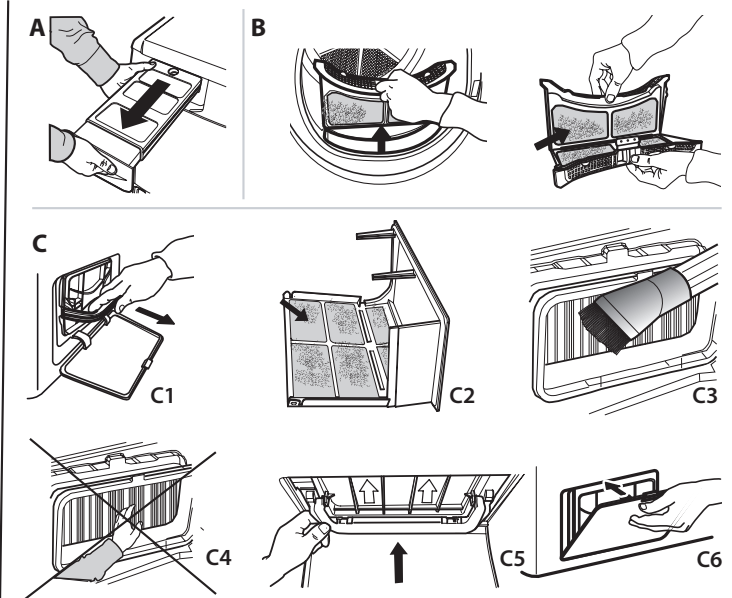
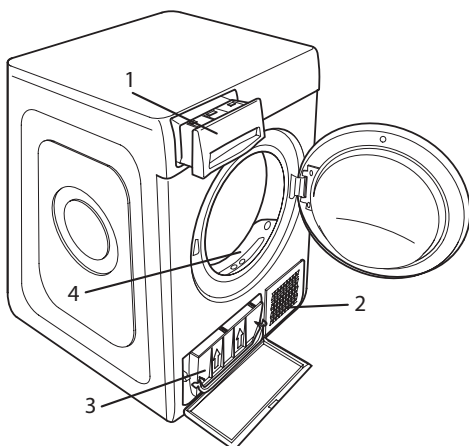
* Πρόγραμμα αναφοράς για την Ετικέτα Ενεργειακής Απόδοσης, αυτό το πρόγραμμα είναι κατάλληλο για το στέγνωμα συνηθισμένων υγρών βαμβακερών ρούχων και είναι το αποτελεσματικότερο πρόγραμμα από άποψη ενεργειακής κατανάλωσης για το στέγνωμα υγρών βαμβακερών ρούχων. (Τυπική διαμόρφωση/προκαθορισμένη αρχικά).

Σύστημα Αντλίας Θερμότητας

Η αντλία θερμότητας περιέχει αέρια θερμοκηπίου που περιέχονται σε ερμητικά κλεισμένη μονάδα. Αυτή η σφραγισμένη μονάδα περιέχει 0.18 kg αερίου R134a. GWP = 604 (1 t CO₂).

ΠΕΡΙΓΡΑΦΗ ΠΡΟΪΟΝΤΟΣ

1. Δοχείο νερό
2. Καπάκι του συμπυκνωτή
3. Κάτω φίλτρο
4. Φίλτρο πόρτας



Στην περίπτωση δυσλειτουργίας, πριν έλθετε σε επαφή με την Τεχνική Εξυπηρέτηση, ελέγξτε την παρακάτω πινακίδα. Οι ανωμαλίες συνήθως είναι μικρής έκτασης και μπορούν να επιλυθούν σε λίγα λεπτά.

Ανωμαλία	Πιθανή αιτία	Επίλυση
Οι χρόνοι στεγνώματος είναι πολύ μεγάλοι.	Δεν πραγματοποιήθηκε σωστή συντήρηση.	Συμβουλευτείτε το τμήμα ΦΡΟΝΤΙΔΑ ΚΑΙ ΣΥΝΤΗΡΗΣΗ και εκτελέστε τις διαδικασίες που περιγράφονται.
	Τα ρούχα είναι πολύ βρεγμένα.	Εκτελέστε έναν κύκλο πλυσίματος με υψηλότερους κύκλους περιστροφής για να αφαιρέσετε όσο το δυνατόν περισσότερο νερό.
	Θερμοκρασία δωματίου.	Ο χρόνος στεγνώματος ενδέχεται να είναι μεγαλύτερος, εάν η θερμοκρασία δωματίου είναι εκτός του εύρους 14–30 °C.
	Το πρόγραμμα, η ώρα και/ή το επίπεδο στεγνώματος που έχουν επιλεγεί δεν είναι κατάλληλα για τον τύπο ή την ποσότητα του φορτίου που είναι στο στεγνωτήριο.	Συμβουλευτείτε την ενότητα ΠΡΟΓΡΑΜΜΑΤΑ ΚΑΙ ΕΠΙΛΟΓΕΣ για να βρείτε το πρόγραμμα και τις πιο κατάλληλες επιλογές για το είδος του φορτίου.
	Το στεγνωτήριο μπορεί να είναι υπερφορτωμένο.	Συμβουλευτείτε την ενότητα προγραμμάτων για να ελέγξετε το μέγιστο φορτίο για κάθε πρόγραμμα.
Το στεγνωτήριο δεν ενεργοποιείται.	Το κουμπί Αναμμέν/Σβηστό δεν πατήθηκε.	Πατήστε το κουμπί Αναμμέν/Σβηστό.
	Ο ρευματολήπτης δεν είναι συνδεδεμένος στην πρίζα του ρεύματος.	Συνδέστε το ρευματολήπτη στην πρίζα του ρεύματος.
	Η πρίζα του ρεύματος έχει βλάβη.	Δοκιμάστε να συνδέσετε μια άλλη συσκευή στην ίδια πρίζα. Μη χρησιμοποιείτε ηλεκτρικές διατάξεις για σύνδεση στην πρίζα όπως προσαρμογείς ή επεκτάσεις.
	Υπήρξε διακοπή ηλεκτρικής τροφοδοσίας.	Περιμένετε να επανέλθει η τροφοδοσία και ενεργοποιήστε ξανά την ασφάλεια εάν είναι απαραίτητο.
Το στεγνωτήριο δεν ξεκινά.	Η πόρτα δεν έχει κλείσει καλά.	Κλείστε την πόρτα.
	Έχει επιλεγεί καθυστέρηση για την έναρξη του κύκλου.	Σε συσκευές με αυτή τη λειτουργία: περιμένετε το τέλος της ρύθμισης καθυστέρησης ή σβήστε τη συσκευή για να την επαναφέρετε. Συμβουλευτείτε την ενότητα Επιλογές.
	Το κουμπί Έναρξη/Παύση δεν έχει πατηθεί για να ξεκινήσει το πρόγραμμα.	Πατήστε το κουμπί Έναρξη/Παύση.
	Στις συσκευές που διαθέτουν λειτουργία κλειδώματος πλήκτρων, αυτή η επιλογή έχει εισαχθεί.	Ανατρέξτε στην ενότητα Επιλογές. Εάν επιλέχθηκε το Key Lock, απενεργοποιήστε το. Η απενεργοποίηση του μηχανήματος δεν θα απενεργοποιήσει αυτήν την επιλογή.
Τα ρούχα είναι υγρά στο τέλος του κύκλου.	Μικρό φορτίο.	Το αυτόματο πρόγραμμα δεν έχει ανιχνεύσει την απαιτούμενη τελική υγρασία και το στεγνωτήριο θα ολοκληρώσει το πρόγραμμα και θα σταματήσει. Εάν συμβεί αυτό, απλώς επιλέξτε μια επιπλέον σύντομη περίοδο στεγνώματος ή επιλέξτε πολύ στεγνό (extra dry) εάν υπάρχει.
	Μεγάλα φορτία ή βαριά φάσματα.	Τα επίπεδα στεγνώματος μπορούν να τροποποιηθούν στο ειδικό επιθυμητό στέγνωμα. Η επιλογή Έξτρα στέγνωμα συνιστάται για ρούχα έτοιμα να φορεθούν.
	Ο κύκλος στεγνώματος διακόπηκε και μετά δεν επανεργοποιήθηκε εντός 15 λεπτών, με αποτέλεσμα το μηχάνημα να σβήσει.	Ο κύκλος στεγνώματος πρέπει να ρυθμιστεί ξανά και να επανεκκινηθεί.
	Ενδέχεται να έχει συμβεί διακοπή ρεύματος, προκαλώντας τη διακοπή λειτουργίας της μηχανής.	Ο κύκλος στεγνώματος πρέπει να ρυθμιστεί ξανά και να επανεκκινηθεί.

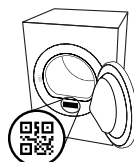
δείκτες αναμμένες ή αναβοσβήνουν

Δοχείο νερού	Το δοχείο νερού είναι γεμάτο.	Αδειάστε το δοχείο νερού. Συμβουλευτείτε την ενότητα ΦΡΟΝΤΙΔΑ ΚΑΙ ΣΥΝΤΗΡΗΣΗ.
Φίλτρο πόρτας	Ανωμαλία στη ροή αέρα που απαιτείται για τη λειτουργία της συσκευής.	Καθαρίστε το φίλτρο πόρτας και ελέγξτε ότι το καπάκι του συμπυκνωτή είναι ελεύθερο. Εάν οι εργασίες αυτές δεν εκτελούνται σωστά, μπορεί να προκληθεί βλάβη στο στεγνωτήριο. Συμβουλευτείτε την ενότητα ΦΡΟΝΤΙΔΑ ΚΑΙ ΣΥΝΤΗΡΗΣΗ.
Κάτω φίλτρο *	Το κάτω φίλτρο πρέπει να καθαριστεί.	Καθαρίστε το κάτω φίλτρο. Συμβουλευτείτε την ενότητα ΦΡΟΝΤΙΔΑ ΚΑΙ ΣΥΝΤΗΡΗΣΗ.
Η παρουσία του συμβόλου του γαλλικού κλειδιού δείχνει μια ανωμαλία.	Οι αισθητήρες της συσκευής έχουν ανιχνεύσει μια ανωμαλία.	Απενεργοποιήστε το στεγνωτήριο και αποσυνδέστε το από το ηλεκτρικό δίκτυο. Ανοίξτε την πόρτα αμέσως και αφαιρέστε τα ρούχα έτσι ώστε η θερμότητα να μπορέσει να διαχυθεί. Περιμένετε για 15 περίπου λεπτά. Επανασυνδέστε το στεγνωτήριο στο ηλεκτρικό δίκτυο, φορτώστε τα ρούχα και επανεκκινήστε τον κύκλο στεγνώματος. Εάν το πρόβλημα παραμένει, επικοινωνήστε με την Τεχνική Εξυπηρέτηση και αναφέρετε τα γράμματα και τους αριθμούς που αναβοσβήνουν στην οθόνη. Για παράδειγμα F3 και E2.

* Σημείωση: ορισμένα μοντέλα είναι αυτοκαθαριζόμενα. Μη εφοδιασμένα με κάτω φίλτρο, συμβουλευτείτε το τμήμα ΦΡΟΝΤΙΔΑ ΚΑΙ ΣΥΝΤΗΡΗΣΗ.

Μπορείτε να βρείτε πολιτικές, τυπική τεκμηρίωση, παραγγελία ανταλλακτικών και πρόσθετες πληροφορίες προϊόντος:

- Χρήση του κωδικού QR στη συσκευή σας
- Επισκεφθείτε τον ιστότοπο docs.whirlpool.eu και parts-selfservice.whirlpool.com
- Εναλλακτικά, **μπορείτε να επικοινωνήσετε με την Υπηρεσία εξυπηρέτησης πελατών** (βλ. τηλεφωνικό αριθμό στο βιβλιαράκι εγγύησης). Όταν επικοινωνείτε με το Κέντρο εξυπηρέτησης πελατών, αναφέρατε τους κωδικούς που αναγράφονται στην ετικέτα αναγνώρισης προϊόντος.





VĂ MULȚUMIM CĂ AȚI ACHIZIȚIONAT UN PRODUS WHIRLPOOL.

Pentru a beneficia de servicii complete de asistență, vă rugăm să vă înregistrați produsul pe www.whirlpool.eu/register



Înainte de a utiliza aparatul, citiți cu atenție instrucțiunile privind siguranța.



SCANAȚI CODUL QR DE PE APARATUL DUMNEAVOASTRĂ PENTRU A OBȚINE INFORMAȚII MAI DETALIAȚE.

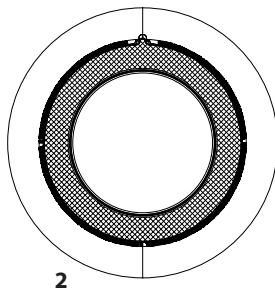


PANOU DE COMANDĂ

- 1 Buton Pornit/Oprit (Resetare dacă se apasă lung)
- 2 Buton rotativ Programe
- 3 Pornire/Pauză

Taste Opțiuni*

- 4 Finalizare ciclu
- 5 Temperatură ridicată
- 6 Anti - Șifonare (dacă se apasă lung Mut)
- 7 Nivel uscare
- 8 Întârziere start
- 9 Timp uscare
- 10 Rapid (dacă se apasă lung Blocare taste)
- 11 Delicat
- 12 FreshCare+



*Notă: unele modele pot afișa descrierea detaliată în locul pictogramelor.

INDICATORI

Nivel uscare: Uscare antișifonare - Întindere - Uscare normală - Uscare extra

Faza ciclului: Uscare - Răcire - Sfârșit ciclu

Goliți rezervorul de apă - **Curățați filtrul hublou** - **Curățați filtrul inferior**

Consultați secțiunea Remedierea defecțiunilor: **Defect:** Apel unitate service

PRIMA UTILIZARE

Asigurați-vă că rezervorul de apă este introdus în mod corespunzător. Asigurați-vă că furtunul de evacuare de pe partea din spate a uscătorului de rufe este fixat corect fie la rezervorul de apă al uscătorului de rufe fie la sistemul local de canalizare a apelor reziduale menajere. Uscătorul trebuie instalat într-o încăpere cu temperatura cuprinsă între 5 °C și 35 °C, pentru a asigura funcționarea corectă a acestuia. Înainte de utilizarea uscătorului de rufe, asigurați-vă că acesta a stat în poziție verticală timp de cel puțin 6 ore.

UTILIZAREA ZILNICĂ

Astfel, veți obține performanțe OPTIME de la mașina dumneavoastră:

- nu uitați să goliți rezervorul după fiecare ciclu de uscare.
- nu uitați să curățați filtrele după fiecare ciclu de uscare.

Consultați secțiunea Îngrijire și întreținere.

1. Conectați uscătorul de rufe la priza de alimentare cu energie electrică.
2. Deschideți hubloul și încărcați hainele; consultați întotdeauna instrucțiunile de pe etichetele articolelor vestimentare și încărcăturile maxime indicate în secțiunea programului. Goliți buzunarele. Asigurați-vă că hainele nu se prind între hublou și/sau filtrul de pe hublou. Nu încărcați articole ude. Nu uscați articole mari, voluminoase. Pentru rezultate optime de uscare, articolele vestimentare trebuie încărcate unul câte unul.
3. Închideți hubloul.
4. Apăsați butonul "Pornit/Oprit".
5. Selectați cel mai potrivit program pentru tipul de țesătură încărcată.
6. Selectați opțiunile, dacă este necesar.
7. Apăsați butonul "Pornire/Pauză" pentru a începe uscarea.
8. La finalul ciclului de uscare, se va declanșa un avertizor sonor. Un indicator de pe panoul de comandă semnalează sfârșitul ciclului. Opriți mașina apăsând butonul "Pornit/Oprit", deschide hubloul și scoateți hainele imediat pentru a preveni formarea cutelor pe rufe.

Dacă mașina nu este oprită manual, după aproximativ un sfert de oră de la finalizarea ciclului, aparatul se oprește automat pentru a economisi energie. Țineți cont de faptul că anumite modele efectuează o etapă finală de uscare la temperatură scăzută, motiv pentru care este posibil ca țesăturile să nu fie calde.

În cazul întreruperii alimentării cu curent electric, este necesar să apăsați butonul "Pornire/Pauză" pentru a porni ciclul.

Deschiderea hubloului în timpul ciclului

Hubloul uscătorului de rufe poate fi deschis în orice moment în timpul derulării ciclului pentru a verifica progresul și a scoate articolele vestimentare deja uscate.

Cu toate acestea, deoarece deschiderea hubloului poate prelungi timpul de uscare, recomandarea este de a menține hubloul închis pe parcursul derulării ciclului pentru a economisi timp și energie. După închiderea hubloului, apăsați butonul „Pornire/Pauză” în decurs de 15 minute pentru a relua funcționarea mașinii.

TRANSPORT ȘI MANEVRARE

Nu ridicați niciodată uscătorul apucându-l de partea superioară.

1. Scoateți uscătorul de rufe din priză.
2. Scoateți complet apa din rezervor.
3. Asigurați-vă că hubloul și rezervorul sunt închise corespunzător.
4. Dacă furtunul de evacuare este conectat la sistemul de canalizare, fixați din nou furtunul de evacuare pe spatele uscătorului de rufe (consultați Ghidul de instalare).

ETICHETE CU INSTRUCȚIUNI DE SPĂLARE

Citiți etichetele articolelor de îmbrăcăminte, în special atunci când le uscați în uscătorul de rufe pentru prima dată. Următoarele simboluri sunt cel mai frecvent utilizate:

- Uscarea în uscătorul de rufe este permisă.
- A nu se usca în uscătorul de rufe.
- A se usca în uscătorul de rufe cu opțiunea temperatură ridicată.
- A se usca în uscătorul de rufe cu opțiunea temperatură scăzută.



PROGRAME

Durata acestor programe depinde de tipul încărcăturii, de tipul țesăturilor, de viteza centrifugii utilizate de mașina de spălat și de alte opțiuni selectate.

În cazul modelelor cu afișaj, durata ciclurilor este indicată pe panoul de comandă. Timpul rămas este monitorizat constant și este modificat pe durata ciclului de uscare pentru a indica cea mai bună estimare posibilă.

Opțiune de utilizat - Dacă toate încărcăturile spălate la cicluri automate sunt în mod constant mai puțin uscate sau mai uscate decât v-ați dori, trebuie să măriți sau să reduceți nivelul de uscare folosind opțiunea specifică.

Eco **kg Max***

Program standard pentru bumbac, adecvat pentru uscarea rufelor din bumbac cu grad normal de umiditate. Cel mai eficient program în ceea ce privește consumul de energie pentru uscarea rufelor din bumbac. Alorile de pe eticheta energetică au ca referință acest program.

NOTĂ: Pentru eficiență energetică optimă, acest ciclu este setat în mod implicit la nivelul „Uscare normală”. Pentru un nivel de uscare mai mare, vă recomandăm să utilizați ciclul Bumbac.

Bumbac **kg Max***

Ciclu adecvat pentru uscarea tuturor tipurilor de bumbac, obținându-se rufe pregătite de pus în dulap.

Amestec **kg 4**

Acest program este ideal pentru uscarea împreună a țesăturilor din bumbac și a celor sintetice.

Lenjerie pat **kg Max***

Pentru uscarea lenjeriei de pat din bumbac.

Pilotă

Pentru uscarea articolelor voluminoase, precum o pilotă.

Cămăși **kg 3**

Acest program este dedicat uscării cămășilor fabricate din bumbac sau amestec de bumbac/fibre sintetice.

Blugi **kg 3**

Pentru uscarea blugilor și a îmbrăcăminte din bumbac rezistent, tip denim, de exemplu pantaloni și geți.

Călcare ușoară

Acest ciclu relaxează fibrele, facilitând călcarea și împăturirea rufelor. Adecvat pentru încărcături mici de țesături umede sau uscate din bumbac și amestec de bumbac. Nu utilizați cu îmbrăcăminte încă udă.

Împrospătare

Program scurt potrivit pentru împrospătarea fibrelor și a articolelor de îmbrăcăminte prin emisia de aer proaspăt. A nu se utiliza pentru articole de îmbrăcăminte încă ude. Poate fi utilizat pentru orice tip de încărcătură, dar este mai eficient pentru încărcături reduse.

Ciclul durează aproximativ 20 de minute.

Rapid 30' **kg 0.5**

Pentru uscarea articolelor de îmbrăcăminte din bumbac stoarse la înaltă viteză în mașina de spălat.

Sport **kg 4**

Pentru uscarea articolelor de îmbrăcăminte sportive sintetice sau din amestec de bumbac.

Mătase **kg 0.5**

Uscarea delicată a articolelor de îmbrăcăminte din mătase.

Lână **kg 1**

Pentru uscarea articolelor de îmbrăcăminte din lână. Se recomandă întoarcerea pe dos a articolelor de îmbrăcăminte înainte de uscare. Lăsați să se usuce natural marginile mai grele care rămân umede.

Delicate **kg 2**

Pentru uscarea rufelor din țesături delicate care necesită o spălare ușoară.

Sintetice **kg 4**

Pentru uscarea rufelor din fibre sintetice.

***ÎNCĂRCĂT. MAX. 9 Kg (încărcătură uscată)**


OPȚIUNI


Aceste butoane vă permit să personalizați programul selectat în conformitate cu cerințele personale.


Nu toate opțiunile sunt disponibile pentru toate programele. Este posibil ca anumite opțiuni să nu fie compatibile cu cele setate anterior; în acest caz, se va declanșa avertizorul sonor și/sau indicatoarele vor clipi. Dacă opțiunea este disponibilă, indicatorul opțiunii va rămâne aprins. Programul poate reține anumite opțiuni selectate în cadrul ciclurilor de uscare anterioare.

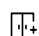
Nivel uscare

Apăsați de mai multe ori butonul pentru a obține un nivel diferit de umiditate reziduală pe rufe. Un indicator semnalează nivelul selectat.

 **Uscare antișifonare:** uscare foarte delicată. Articolele vor putea fi călcate mai ușor imediat după finalizarea ciclului.

 **Întindere:** un nivel studiat pentru articole de îmbrăcăminte delicate; gata de a fi întinse.

 **Uscare normală:** rufele sunt gata pentru a fi împăturate și așezate în dulap.

 **Uscare extra:** utilizat pentru articole de îmbrăcăminte gata de a fi îmbrăcate la sfârșitul ciclului.

Timp uscare

Această opțiune permite alegerea duratei uscării. Apăsați de mai multe ori butonul corespunzător pentru a seta timpul dorit pentru uscare. Un indicator aflat pe panoul de comandă semnalează timpul ales.

Întârziere start

Această opțiune permite setarea unei întârzieri față de începutul ciclului.

Apăsați de mai multe ori butonul corespunzător pentru a obține întârzierea dorită. După ce a fost atins timpul maxim care poate fi selectat, apăsarea ulterioară a tastei resetează opțiunea. Un indicator aflat pe panoul de comandă semnalează timpul ales. După ce ați apăsat tasta "Pornire/Pauză": aparatul semnalează timpul rămas pentru pornirea ciclului.

În cazul deschiderii hubloului, după închidere, trebuie să apăsați din nou tasta "Pornire/Pauză".

Rapid

Permite uscarea mai rapidă.

FreshCare+

Dacă rufele sunt lăsate în tambur odată ce ciclul a fost finalizat, acestea pot fi supuse proliferării bacteriilor. Această opțiune contribuie la prevenirea acestui lucru controlând temperatura și rotind tamburul ușor. Această acțiune va continua până la 6 ore după finalizarea ciclului. Setarea va rămâne în memoria ciclului anterior. Dacă se utilizează împreună cu opțiunea Pornire întârziată, tratarea cutelor va fi efectuată în această etapă prin rotirea periodică a tamburului.

Blocare taste

Această opțiune face inaccesibile toate comenzile aparatului, cu excepția tastei "Pornit/Oprit".

Cu aparatul pornit:

- pentru a activa opțiunea țineți apăsată tasta până când se aprinde indicatorul corespunzător.
- pentru dezactivarea opțiunii, țineți apăsată tasta până când se stinge indicatorul corespunzător.

Această opțiune, dacă este selectată pentru uscarea precedentă, rămâne în memorie.

Finalizare ciclu

Această opțiune activează un semnal sonor prelungit la finalizarea ciclului. Activați opțiunea dacă nu sunteți siguri că veți auzi sunetul normal de finalizare a ciclului. Această opțiune, dacă este selectată pentru uscarea precedentă, rămâne în memorie.

Mut

Această opțiune permite dezactivarea semnalelor sonore ale panoului de comandă. Alarbele care indică defecte de funcționare rămân active.

- pentru a activa opțiunea țineți tasta apăsată până când se aprinde indicatorul corespunzător.
- pentru a dezactiva opțiunea țineți tasta apăsată până când se stinge indicatorul corespunzător.

Temperatură ridicată

Îmbunătățește capacitatea de uscare. Opțiune potrivită

pentru uscarea articolelor de îmbrăcăminte rezistente, se utilizează cu cicluri cu timp de uscare.

Anti - Șifonare

Această opțiune efectuează o mișcare specială a tamburului care reduce încălcirea și înnodarea articolelor vestimentare. Oferă rezultate optime atunci când este utilizată cu încărcături mici.

Delicat

Permite o uscare mai ușoară a rufelor, reducând temperatura de uscare.

CURATENIE ȘI ÎNTREȚINERE

AVERTISMENT: scoateți uscător de rufe din priză în timpul procedurilor de curățare și întreținere.

Golirea rezervorului de apă după fiecare ciclu (consultați figura A).

Scoateți recipientul din uscătorul de rufe și goliți-l în chiuvetă sau într-un alt loc de evacuare adecvat, apoi puneți-l la loc corect. Nu utilizați uscătorul de rufe fără a introduce recipientul la locul său.

Curățarea filtrului hublou după fiecare ciclu (consultați figura B).

Scoateți filtrul și curățați-l eliminând eventuale reziduuri de scame de pe suprafața acestuia; spălați-l cu apă de la robinet sau aspirați-l cu un aspirator. Pentru performanțe optime, uscați toate filtrele înainte de a le pune la loc. **Nu utilizați uscătorul de rufe fără a introduce filtrul la locul său.**

Demontarea filtrului hublou:

1. Deschideți hubloul și trageți filtrul în sus.
2. Deschideți filtrul și curățați scamele de pe toate părțile acestuia. Poziționați-l corect la loc; asigurați-vă ca filtrul să fie introdus complet și să se afle la nivelul garniturii uscătorului de rufe.

Curățarea filtrului inferior la aprinderea indicatorului corespunzător (consultați figura C).

Scoateți filtrul și curățați-l eliminând eventuale reziduuri de scame de pe suprafața acestuia; spălați-l cu apă de la robinet sau aspirați-l cu un aspirator. Cu toate acestea se recomandă curățarea acestui filtru după fiecare ciclu pentru a optimiza performanțele de uscare. **Nu utilizați uscătorul de rufe fără a introduce filtrul la locul său.**

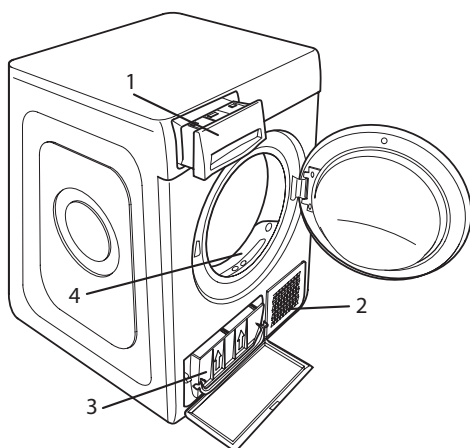
Demontarea filtrului inferior:

- C1. Deschideți capacul inferior; apucați mânerul și extrageți filtrul.
- C2. Deschideți partea posterioară a filtrului și înlăturați scamele de pe suprafața internă a plasei.
- C3/C4. Verificați compartimentul filtrului inferior în fiecare lună. Dacă observați scame acumulate pe aripioarele metalice, îndepărtați-le cu un aspirator, folosind o duză cu perie.

Efectuarea mișcărilor pe verticală este esențială; puteți distruge componenta dacă încercați să o curățați pe direcție orizontală.

DESCRIEREA PRODUSULUI

1. Rezervor de apă
2. Orificiu de admisie a aerului
3. Filtru inferior
4. Filtru hublou



Evitați contactul direct al mâinii cu aripioarele - risc de tăiere.

C5. Închideți partea din spate a filtrului și remontați-l pentru a verifica dacă este introdus perfect în locaș, apoi coborâți mânerul filtrului.

C6. Închideți capacul inferior.

Asigurați-vă ca orificiul de admisie a aerului să fie liber.

Filtrele sunt componente fundamentale ale procesului de uscare. Funcția acestora este de a colecta scamele care se formează în timpul uscării. În cazul în care filtrele sunt saturate, fluxul de aer din interiorul uscătorului de rufe este grav compromis: timpul de uscare este mai lung, se consumă mai multă energie, iar uscătorul de rufe poate suferi daune. Dacă aceste operațiuni nu sunt efectuate corect, este posibil ca uscătorul de rufe să nu pornească.

NOTĂ: După curățarea filtrelor, indicatorul aferent rămâne aprins; acest lucru este normal, va dispărea atunci când începeți un nou ciclu de uscare.

Curățarea uscătorului de rufe

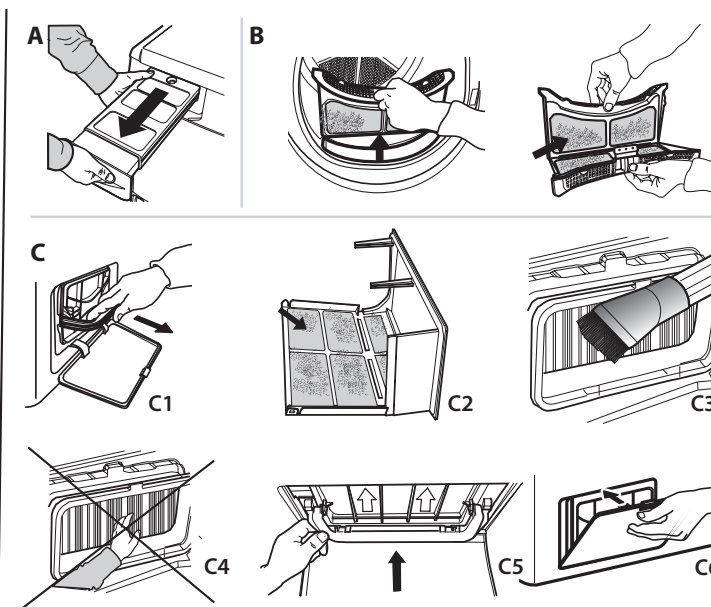
- Piesele externe din metal, plastic și cauciuc pot fi curățate cu o lavetă umedă.
- Curățați grilajul frontal de admisie a aerului în mod regulat (la fiecare 6 luni) folosind un aspirator pentru a elimina scamele, murdăria sau depunerile de praf. În plus, îndepărtați depunerile de scame din zona filtrelor, folosind un aspirator din când în când.
- Nu utilizați solvenți sau agenți abrazivi.

Consum de energie			
În modul: oprit (Po) – Wați			0.42
În modul: rămas în funcțiune (PI) – Wați			2.00
Programe	Kg	kWh	Minute
Eco* □	9	2.13	211
Eco □	4.5	1.19	131
Sintetice	4	0.73	95

*Program de referință pentru eticheta datelor energetice, acest program este adecvat uscării rufelor din bumbac normale și este cel mai eficient program din punct de vedere al consumului de energie pentru rufe din bumbac. (Configurare standard/predefinită inițială).

Sistem cu Pompă de căldură

Pompa de căldură conține gaz cu efect de seră care se află într-o unitate închisă ermetic. Această unitate sigilată conține 0.18 kg de gaz R134a. GWP = 604 (1 t CO₂).



În caz de defecte de funcționare, înainte de a contacta unitatea de service, consultați tabelul de mai jos. Anomaliile sunt deseori minore și pot fi rezolvate în câteva minute.

Anomalie	Cauza posibilă	Soluție
Timpul de uscare este foarte lung.	Nu a fost efectuată întreținerea adecvată.	Consultați secțiunea de Curățenie și întreținere și efectuați operațiunile descrise.
	Rufe sunt prea umede.	Efectuați un ciclu de spălare cu număr de rotații mai mare ale centrifugii pentru a elimina cât mai multă apă posibil.
	Temperatura camerei.	Dacă temperatura camerei nu se încadrează în intervalul 14 – 30 °C, uscarea poate dura mai mult.
	Programul, durata și/sau nivelul de uscare setate nu sunt potrivite tipului și cantității de rufe introduse în uscătorul de rufe.	Consultați secțiunea programe și opțiuni pentru a identifica programul și opțiunile cele mai potrivite tipului de încărcătură.
	Este posibil ca uscătorul de rufe să fie încărcat excesiv.	Consultați secțiunea programe pentru a verifica încărcătura maximă pentru fiecare program.
Uscătorul de rufe nu pornește.	Butonul Pornit/Oprit nu a fost apăsat.	Apăsați pe butonul Pornit/Oprit.
	Ștecherul nu este introdus în priză de curent.	Introduceți ștecherul în priză de curent.
	Priza de curent este defectă.	Încercați să conectați un alt aparat electrocasnic în aceeași priză. Nu utilizați dispozitive electrice de conectare la priză precum adaptatoare sau prelungitoare.
Uscătorul de rufe nu pornește.	A avut loc o întrerupere a curentului electric.	Așteptați restabilirea alimentării cu energie electrică și reactivați siguranța dacă este necesar.
	Hubloul nu a fost închis corespunzător.	Închideți hubloul.
	A fost setată o întârziere de start a ciclului.	În cazul uscătoarelor cu această funcție: așteptați finalizarea ciclului setat sau opriți aparatul pentru a-l reseta. Consultați secțiunea Opțiuni.
	Nu a fost apăsată tasta Pornire/Pauză pentru a porni programul.	Apăsați tasta Pornire/Pauză.
Hainele sunt ude la finalizarea ciclului.	Pe aparatele dotate cu funcția de blocare a tastelor, a fost setată această opțiune.	Consultați secțiunea Opțiuni. Dacă opțiunea Blocare taste a fost selectată, dezactivați-o. Oprirea mașinii nu va dezactiva această opțiune.
	Încărcătură mică.	Programul automat nu a sesizat umiditatea finală necesară iar uscătorul va încheia programul și se va opri. Dacă se întâmplă acest lucru, pur și simplu selectați o scurtă perioadă de uscare suplimentară sau selectați opțiunea uscare extra dacă este disponibilă.
	Încărcături mari sau țesături grele.	Nivelurile de uscare pot fi modificate la valoarea specifică dorită. Funcția Uscare extra se recomandă pentru a scoate articolele din mașină gata de purtat.
	Ciclul de uscare a fost întrerupt și nu a fost reactivat în decurs de 15 minute, cauzând oprirea mașinii	Ciclul de uscare trebuie setat încă o dată și repornit.
	Este posibil să fi avut loc întreruperea alimentării cu curent electric, cauzând oprirea mașinii.	Ciclul de uscare trebuie setat încă o dată și repornit.

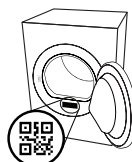
Indicatori aprinse sau intermitente

Rezervor de apă	Rezervorul de apă este plin.	Goliți rezervorul de apă. Consultați secțiunea de Curățenie și întreținere.
Filtrul hubloului	Anomalie a fluxului de aer necesar pentru funcționarea aparatului.	Curățați filtrul hubloului și controlați ca priză de aer să fie liberă. Dacă aceste operațiuni nu sunt efectuate corect, este posibil ca uscătorul de rufe să se defecteze. Consultați secțiunea de Curățenie și întreținere.
Filtrul inferior*	Filtrul inferior trebuie curățat.	Curățați filtrul inferior. Consultați secțiunea de Curățenie și întreținere.
Prezența simbolului cheii englezești indică o anomalie.	Senzorii aparatului au detectat o anomalie.	Opriți uscătorul de rufe de la rețeaua electrică. Deschideți imediat hubloul și scoateți rufe astfel încât căldura să se disperseze. Așteptați pentru aproximativ 15 minute. Reconectați uscătorul de rufe la rețeaua electrică, încărcați rufe și reluați ciclul de uscare. Dacă problema persistă, contactați Unitatea de service și comunicați literele și numerele care iluminează intermitent pe afișaj. De exemplu F3 și E2.

Notă: unele modele sunt prevăzute cu funcție de autocurățare; nu sunt dotate cu filtrul inferior. Consultați secțiunea Curățenie și întreținere.

Politicile, documentația standard, informații privind procesul de comandare a pieselor de schimb și informații suplimentare despre produs pot fi găsite:

- Utilizarea codului QR de la aparat
- Vizitând site-urile noastre web docs.whirlpool.eu și parts-selfservice.whirlpool.com
- Ca alternativă, **contactați serviciul nostru de asistență tehnică post-vânzare** (Consultați numărul de telefon din certificatul de garanție). Când contactați serviciul nostru de asistență tehnică post-vânzare, vă rugăm să precizați codurile specificate pe plăcuța cu date de identificare a produsului dumneavoastră.





ĎAKUJEME, ŽE STE SI KÚPILI VÝROBOK WHIRLPOOL.
Aby sme vám mohli lepšie poskytovať pomoc, zaregistrujte, prosím, svoj spotrebič na www.whirlpool.eu/register



Prv než spotrebič začnete používať, pozorne si prečítajte Bezpečnostné pokyny.



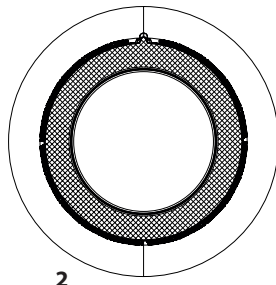
PRE ZÍSKANIE PODROBNEJŠÍCH INFORMÁCIÍ NASKENUJTE, PROSÍM, QR KÓD NA VAŠOM SPOTREBIČI.

OVLÁDACÍ PANEL

- 1 Tlačidlo „Zapnuté/Vypnuté“ („Reset“, ak ho stlačíte a podržíte)
- 2 Programátor
- 3 Štart/Pauza

Tlačidlá funkcií*

- 4 Koniec cyklu
- 5 Vysoká teplota
- 6 Proti zamotaniu (Stíšiť ak ho stlačíte a podržíte)
- 7 Nastaviť sušenie
- 8 Odložený štart
- 9 Časové Sušenie
- 10 Rýchly (Tlačidlá uzamknuté ak ho stlačíte a podržíte)
- 11 Jemný
- 12 FreshCare+



*Poznámka: na niektorých modeloch môže byť namiesto ikon použitý plný text.

UKAZOVATELE

Stupeň usušenia: ☀ Na žehlenie - 👕 Na Ramienko - 📦 Do skrine - 🧺 Extra suché

Fáza cyklu: ☀ Sušenie - 🌬 Ochladzovanie - 🔄 Koniec cyklu

Vyprázdnite zbernú nádobku na vodu - 🧼 Vyčistite dverový filter - 📄 Vyčistite spodný filter

Vyhľadajte časť Problémy a ich riešenie: 🛠 **Závada:** Zavolajte zákaznický servis

PRVÉ POUŽITIE

Uistite, že nádobka na vodu je vložená správne. Uistite sa, že hadička na odvod vody v zadnej časti sušičky je správne upevnená, buď k nádrži na vodu sušičky alebo k vášmu domácomu odpadovému systému.
Sušička sa z dôvodu správneho fungovania musí nainštalovať v miestnosti s teplotou v rozsahu 5 °C až 35 °C.
Pred použitím sušičky sa uistite, že stála vo zvislej polohe najmenej po dobu 6 hodín.

KAŽDODENNÉ POUŽÍVANIE

Ak sa budete riadiť týmito pokynmi, docielite MAXIMÁLNE výsledky:

- nezabudnite vyprázdniť nádržka na vodu po každom cykle sušenia.

- nezabudnite vyčistiť filtre po každom cykle sušenia.

Pozrite časť Starostlivosť a údržba.

1. Zapojte sušičku do elektrickej zásuvky.
2. Otvorte dverka a vložte bielizeň; vždy sa riadte pokynmi na visačkách odevov a maximálnou náplňou uvedenou v časti pre programy. Vyprázdňte vrecká. Dávajte pozor, aby sa odevy nezachytili medzi dverka a/alebo dverové filtre. Nevkladajte kusy, z ktorých kvapká voda. Nesušte v sušičke veľké objemné kusy. Na dosiahnutie optimálneho výsledku sušenia by sa odevy mali vkladať jeden po druhom.
3. Zatvorte dverka.
4. Stlačte tlačidlo "Zapnuté/Vypnuté".
5. Zvoľte najvhodnejší program pre typ tkaniny, ktorú vkladáte do sušičky.
6. V prípade potreby zvoľte prídavné funkcie.
7. Sušenie spustíte stlačením tlačidla "Štart/Pauza".
8. Na konci cyklu sušenia sa ozve bzučiak. Kontrolka na ovládacom paneli signalizuje koniec cyklu. Stlačením tlačidla "Zapnutie/Vypnutie" spotrebič vypnete, otvorte dverka a vyťahnite oblečenie ihneď, aby sa bielizeň nepokročila.

Ak spotrebič nevypnete manuálne, asi po štvrthodine od konca cyklu sa vypne automaticky, aby šetril energiu. Všimnite si, že niektoré modely vykonávajú záverečnú fázu s chladným bubnom, z tohto dôvodu tkaniny nemusia byť na pocit horúce. V prípade výpadku prúdu je potrebné stlačiť tlačidlo "Štart/Pauza", aby sa cyklus reštartoval.

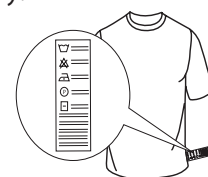
Otvorenie dveriek počas sušenia

Aby ste skontrolovali priebeh sušenia a vybrali už vysušené odevy, dverka bubnovej sušičky môžete kedykoľvek počas cyklu otvoriť. Keďže však otvorenie dveriek môže predĺžiť čas sušenia, odporúča sa nechať dverka počas celého cyklu zatvorené, aby sa ušetril čas a energia. Po zatvorení dveriek stlačte do 15 minút tlačidlo „Štart/Pauza“, aby ste obnovili prevádzku zariadenia.

VISAČKY

Skontrolujte visačky na prádle, hlavne v prípade prvého vloženia do sušičky. Nižšie sú uvedené najbežnejšie symboly:

- Môže byť vložené do sušičky.
- Nie je možné sušiť v sušičke.
- Vysušiť pri vysokej teplote.
- Vysušiť pri nízkej teplote.



PROGRAMY

Čas trvania týchto programov závisí od množstva náplne, od typu textilu, od rýchlosti otáčania odstredivky na vašej pračke a od prídavných funkcií, ktoré ste si naprogramovali.

U modelov s displejom sa čas trvania cyklov zobrazuje na ovládacom paneli. Čas zostávajúci do konca programu sa počas cyklu nepretržite monitoruje a aktualizuje, aby bol zobrazený odhad čo najpresnejší.

Možnosti použitia: Ak sú všetky vaše náplne pri automatických cykloch neustále menej suché alebo viac suché, ako by ste si želali, môžete zvýšiť alebo znížiť úroveň sušenia s využitím tejto špeciálnej možnosti.

Eco **Max. náplň***

Štandardný program pre bavlnu, vhodný na sušenie normálne mokrej bavlnenej bielizne. Z hľadiska spotreby energie je to najvhodnejší program na sušenie bavlnenej bielizne. Údaje na energetickom štítku vychádzajú z tohto programu.

POZNÁMKA: Aby bolo zaistené optimálne využitie energie, je tento cyklus v rámci východiskového nastavenia nastavený na úroveň „Sušenie na uloženie“. Pre vyšší stupeň usušenia odporúčame použiť cyklus Bavlna.

Bavlna **Max. náplň***

Cyklus vhodný na sušenie všetkých typov bavlnených odevov, ktoré môžete odložiť rovno do skrine.

Zmieš. Bielizeň **kg 4**

Toto je ideálny program na sušenie bavlny a syntetických materiálov spolu.

Postelňa bielizeň **Max. náplň***

Sušenie bavlnenej postelnej bielizne.

Prikrývky

Sušenie veľkorozmerných kusov bielizne ako sú napríklad periny.

Košele **kg 3**

Program určený na sušenie košiel z bavlny alebo zmesi bavlny so syntetickými vlákнами.

Džínsy **kg 3**

Na sušenie bavlnenej džínsovinu a odevov vyrobených z džínsovinu, ako sú nohavice a bundy.

Ľahké žehlenie

Tento cyklus uvoľňuje vlákna a vďaka tomu je žehlenie a skladanie ľahšie. Vhodné pre menšiu náplň vlhkých alebo suchých tkanín z bavlny a zmesi bavlny. Nepoužívajte na odevy, ktoré sú ešte vlhké.

Osvieženie

Krátky program určený na prevzdušenie vlákna a textílií studeným vzduchom. Nepoužívajte tento program na ešte mokré textílie. Môže sa používať s ľubovoľným objemom náplne, ale s malými náplňami je samozrejme účinnejší. Doba trvania programu je cca 20 minút.

Rýchly 30' **kg 0.5**

Sušenie bavlnených textílií po odstredení v pračke na vysokých otáčkach.

Šport **kg 4**

Na sušenie športového oblečenia vyrobeného zo syntetiky alebo bavlny.

Hodváb **kg 0.5**

Jemné sušenie hodvábných odevov.

Vlna **kg 1**

Sušenie vlnených textílií. Odporúča sa textílie pred sušením prevrátiť naruby. Najhrubšie okraje, ktoré budú ešte vlhké, nechajte voľne doschnúť.

Jemná bielizeň **kg 2**

Na sušenie jemnej bielizne, ktorá vyžaduje šetrné zaobchádzanie.

Syntetika **kg 4**

Na sušenie bielizne vyrobenej zo syntetických vlákien.

***MAX. NÁPLŇ 9 Kg (Dosušenie bielizne)**


PRÍDAVNÉ FUNKCIE

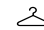
Tieto tlačidlá vám umožňujú prispôbovať zvolený program podľa vašich požiadaviek.

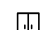
Nie všetky prídavné funkcie sú dostupné pri všetkých programoch. Niektoré prídavné funkcie nemusia byť kompatibilné s tými, ktoré ste predtým nastavili; v takom prípade vás upozorní bzučiac a/alebo blikajúce kontrolky. Ak je prídavná funkcia k dispozícii, jej kontrolka zostane svietiť. Program si môže uchovať niektoré prídavné funkcie zvolené pri predchádzajúcom cykle sušenia.

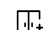
Nastaviť sušenie

Stláčajte opakovane príslušné tlačidlo, kým sa neobjaví požadovaná miera zostatkovej vlhkosti bielizne. Ukazovateľ ukazuje práve vybraný stupeň usušenia.

 **Na žehlenie:** veľmi jemné sušenie. Veci sa budú dať ľahšie žehliť hneď po skončení cyklu.

 **Na ramienko:** stupeň usušenia určený pre jemné textílie, ktoré sa po sušení zavesia.

 **Do skrine:** bielizeň bude pripravená na poskladanie a uloženie do skrine.

 **Extra suché:** určené pre textílie, ktoré sa hneď po usušení oblečú.

Časové sušenie

Táto funkcia ponúka možnosť zvoliť si, ako dlho bude trvať sušenie. Stláčajte opakovane príslušné tlačidlo, kým sa neobjaví požadovaný čas trvania sušenia. Ukazovateľ na ovládacom paneli ukazuje čas, ktorý je práve zadávané.

Odložený štart

Táto funkcia ponúka možnosť odložiť začiatok cyklu. Stláčajte opakovane príslušné tlačidlo, kým sa neobjaví požadovaný čas odkladu. Keď dosiahnete maximálny možný čas, ďalším stlačením tlačidla sa celé nastavenie zruší. Ukazovateľ na ovládacom paneli ukazuje čas, ktorý je práve zadávané. Po stlačení tlačidla Štart/Pauza: stroj signalizuje čas, ktorý zostáva do spustenia cyklu. Ak sa otvorí dvierka, po ich opätovnom zatvorení musíte opäť stlačiť tlačidlo Štart/Pauza.

Rýchly

Umožňuje rýchlejšie sušenie.

FreshCare+

Ak bielizeň po skončení cyklu zostane v bubne, môžu sa v nej rozmnožovať baktérie. Táto prídavná funkcia pomáha zabrániť tomu reguláciou teploty a jemným otáčaním bubna. Môže to trvať približne 6 hodín po skončení cyklu. Toto nastavenie zostane v pamäti z predchádzajúceho cyklu. Ak sa použije spolu s funkciou Odložený štart, počas tejto fázy sa vykoná úprava pokrčenia pravidelným otáčaním bubna.

Tlačidlá uzamknuté

Táto funkcia ponúka možnosť vypnúť všetky ovládače stroja okrem tlačidla "Zapnuté/Vypnuté".

Zapnutý stroj:

- na aktiváciu funkcie je treba podržať stlačené tlačidlo dovtedy, kým zariadenie neoznámi jej aktiváciu.
- na deaktiváciu funkcie je treba podržať tlačidlo stlačené dovtedy, kým zariadenie neoznámi jej deaktiváciu.

Ak bola táto funkcia zvolená pre predchádzajúce sušenie, zostáva v pamäti.

Koniec cyklu

Táto funkcia ponúka možnosť predĺžiť zvukové znamenie ohlasujúce ukončenie pracovného cyklu. Používa sa vtedy, ak je obava, že štandardný bzučiac na konci cyklu nebude počuť. Ak bola táto možnosť zvolená pre predchádzajúce sušenie, zostáva v pamäti.

Stíšiť

Táto funkcia ponúka možnosť vypnúť zvukovú signalizáciu na ovládacom paneli. Hlásenia porúch zostanú naďalej aktívne.

- pre aktiváciu tejto možnosti podržte tlačidlo stlačené dovtedy, kým sa nerozsvieti príslušný ukazovateľ.
- pre deaktiváciu tejto možnosti podržte tlačidlo stlačené dovtedy, kým príslušný ukazovateľ nezhasne.

Vysoká teplota

Silnejší sušiaci výkon. Táto funkcia je vhodná na sušenie hrubých, odolných textílií, používa sa v pracovných cykloch s nastaveným časom sušenia.

Proti zamotaniu

Pridavná funkcia vykonáva špeciálny pohyb bubna, ktorý znižuje zamotanie a zauzlenie vášho šatstva. Najlepšie výsledky zabezpečí pri menšej náplni.

Jemný

Umožňuje jemnejšie zaobchádzanie s bielizňou znížením teploty sušenia.

ČISTENIE A ÚDRŽBA

UPOZORNENIE: počas čistenia a údržby odpojte sušičku z elektrickej zástrčky.

🚰 Vyprázdnenie zbernej nádoby na vodu po každom cykle (viď obrázok A).

Vyťahnite nádobku zo sušičky a vyprázdnite ju do umývadla alebo do iného vhodného odtoku; následne nádobku založte na miesto. Sušičku nikdy nepoužívajte bez zbernej nádoby.

🌀 Čistenie dverového filtra po každom cykle (viď obrázky B).

Vyťahnite filter a vyčistite jeho plochy od usadenín pod tečúcou vodou alebo pomocou vysávača. Za účelom optimálneho výkonu vysušte všetky filtre skôr, ako ich vložíte naspäť na svoje miesto. **Sušičku nikdy nepoužívajte bez nasadeného filtra.**

Ako vyťahnúť dverový filter:

1. Otvorte dvierka a vyťahnite filter smerom hore.
2. Otvorte filter a očistite všetky jeho časti od usadenín. Nasadzte filter späť na miesto; uistite sa, či je zasunutý až na doraz s tesnením sušičky.

📄 Čistenie spodného filtra po rozsvietení príslušného ukazovateľa (viď obrázky C).

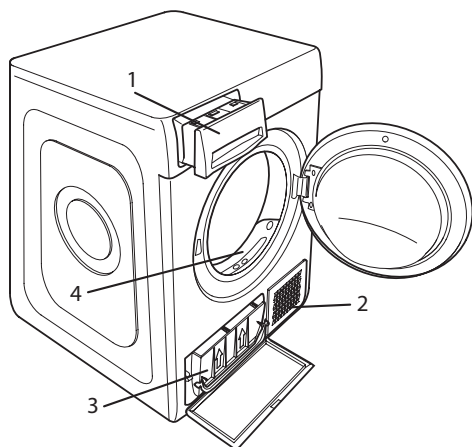
Vyťahnite filter a vyčistite jeho plochy od usadenín pod tečúcou vodou alebo pomocou vysávača. Odporúča sa čistiť tento filter po každom cykle, aby bol sušiaci výkon optimálny. Za účelom optimálneho výkonu vysušte všetky filtre skôr, ako ich vložíte naspäť na svoje miesto. **Sušičku nikdy nepoužívajte bez nasadeného filter.**

Ako vyťahnúť spodný filter:

- C1. Otvorte spodný kryt; Chyťte rukoväť a vyťahnite filter.
- C2. Otvorte zadnú stenu filtra a odstráňte prípadné usadeniny z vnútornej plochy sieťky.
- C3/C4. Každý mesiac skontrolujte spodnú filtračnú komoru. Ak sa na kovových rebrách nahromadia zvyšky textilných vlákien, vyčistite ich vysávačom pomocou hubice s kefkou. Je veľmi dôležité vykonávať vertikálne pohyby. Ak sa pokúsite vyčistiť komponent v horizontálnom smere, môžete ho poškodiť. Vyhnite sa priamemu kontaktu ruky s rebrami – hrozí porezanie.
- C5. Zatvorte zadnú stranu filtra, vložte ho na miesto a skontrolujte, či dôkladne zapadol na svoje miesto. Potom spustite rukoväť filtra.
- C6. Zatvorte spodný kryt. Skontrolujte, či je voľný prívod otvor pre nasávanie vzduchu.

OPIS SPOTREBIČA

1. Nádobka na vodu
2. Otvor pre nasávanie vzduchu
3. Spodný filter
4. Dverový filter



Filtre majú pre priebeh sušenia zásadný význam. Ich úlohou je zachytiť usadeniny, ktoré sa vytvárajú počas sušenia. Upchatie filtrov by znamenalo vážnu prekážku pre prúdenie vzduchu sušičkou; viedlo by to k predĺženiu časov sušenia, vyššej spotrebe energie a možnému poškodeniu sušičky. Ak by sa tieto operácie nevykonávali správnym spôsobom, mohlo by to viesť k problémom s uvedením sušičky do chodu.

POZNÁMKA: Po vyčistení filtrov zostane svietiť príslušný indikátor; toto je normálne a zhasne po spustení nového cyklu sušenia.

PREPRAVA A MANIPULÁCIA

Sušičku nikdy nedvíhajte držiac ju za vrchnú časť.

1. Odpojte sušičku od prúdu.
2. Úplne odstráňte vodu z nádržky na vodu.
3. Presvedčte sa, či sú dvierka a nádržka na vodu poriadne zatvorené.
4. Ak je odtoková hadica pripojená ku kanalizácii, znovu pripevnite odtokovú hadicu na zadnú stranu sušičky (pozri Návod na inštaláciu).

Čistenie sušičky

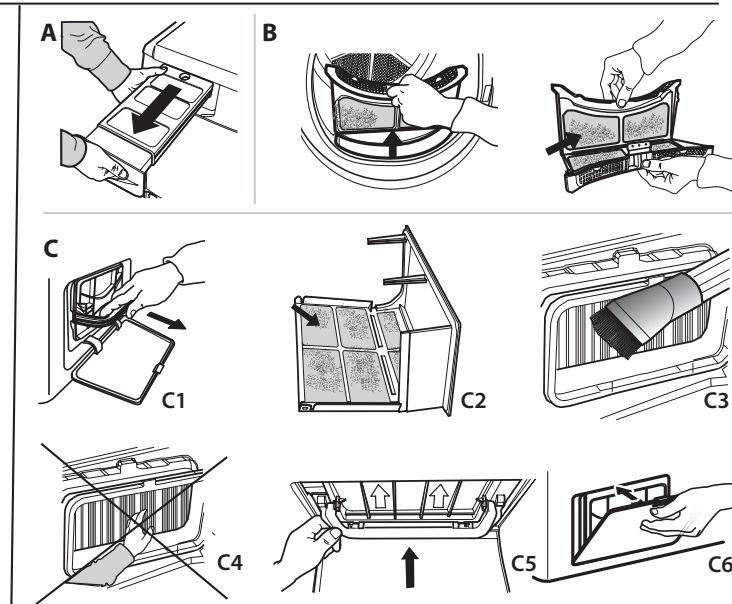
- Vonkajšie kovové, plastové a gumené časti možno vyčistiť vlhkou handričkou.
- Pravidelne čistite mriežku na prednom vstupe vzduchu (každých 6 mesiacov) vysávačom, aby ste odstránili usadené vlákna, chumáče a prach. Okrem toho vysávačom často odstraňujte usadené vlákna z oblasti filtra.
- Nepoužívajte rozpúšťadlá ani drsné prostriedky.

Spotreba energie			
Vypnutý stav (Po) - Wattov	0.42		
Zapnutý stav (PI) - Wattov	2.00		
Programy	Kg	kWh	Minúty
Eco* ◻	9	2.13	211
Eco ◻	4.5	1.19	131
Syntetika	4	0.73	95

*Je to program, na základe ktorého boli stanovené údaje na energetickom štítku; je vhodný na sušenie bežnej bavlnenej bielizne. Z hľadiska spotreby energií je to najúčinnejší program na sušenie bavlnených textílií. (Štandardné východiskové nastavenie).

Inštalácia s tepelným čerpadlom

V tepelnom čerpadle sa používajú skleníkové plyny, ktoré sa nachádzajú v hermeticky izolovanej jednotke. V hermeticky izolovanej jednotke sa nachádza 0.18 kg plynu R134a. GWP = 604 (1 t CO₂).



V prípade poruchy si skôr, než sa obrátite na servis zákazníckej podpory, preštudujte nasledujúcu tabuľku. Závady sú často veľmi banálne a na ich vyriešenie stačí niekoľko minút.

Závada	Možná príčina	Riešenie
Sušenie trvá veľmi dlho.	Nebola vykonaná predpísaná údržba.	Vyhľadajte časť čistenie a údržba a vykonajte všetky predpísané práce.
	Textílie sú príliš mokré.	Nechajte prebehnúť prací cyklus s vysokými otáčkami odstredivky, aby sa textil zbavil čo najväčšieho množstva vody.
	Izbová teplota.	Čas sušenia môže byť dlhší, ak sa izbová teplota dostane mimo rozsahu 14 až 30 °C.
	Zvolený program, čas sušenia a/alebo stupeň usušenia nie sú vhodné pre typ textílií, ktoré sú naložené do sušičky alebo pre naložené množstvo textílií.	Vyhľadajte časť Programy a prídavné funkcie, kde si nájdete najvhodnejší program a možnosti pre textílie v sušičke.
	Sušička môže byť preťažená.	Vyhľadajte časť Programy, kde si overíte, aká je maximálna prípustná hmotnosť náplne pre jednotlivé programy.
Sušičku nie je možné zapnúť.	Nebolo stlačené tlačidlo Zapnuté/Vypnuté.	Stlačte tlačidlo Zapnuté/Vypnuté.
	Zástrčka nie je zapojená do elektrickej zásuvky.	Zapojte zástrčku do elektrickej zásuvky.
	Elektrická zásuvka je vadná.	Skúste zapojiť do danej elektrickej zásuvky iný elektrospotrebič. Nepoužívajte prepojovacie elektrické zariadenia ako sú adaptéry alebo predlžovačky.
	Došlo k prerušeniu dodávky elektrického prúdu.	Počkajte na obnovu dodávky energie a v prípade potreby znova zapnite poistku.
Sušička nechce spustiť program.	Dvierka nie sú správne zatvorené.	Zatvorte dvierka.
	Je naprogramovaný časový odklad spustenia cyklu.	Ak je sušička vybavená touto funkciou, počkajte, až uplynie naprogramovaný čas odkladu alebo sušičku vypnite a znova zapnite, aby sa zresetovala. Vyhľadajte časť Prídavné funkcie.
	Nestlačili ste tlačidlo Štart/Pauza pre spustenie programu.	Stlačte tlačidlo Štart/Pauza.
	Ak je stroj vybavený funkciou Uzamknutie tlačidiel, je aktivovaná táto funkcia.	Pozri časť Prídavné funkcie. Ak je zvolené uzamknutie, deaktivujte ho. Vypnutie prístroja túto funkciu nedeaktivuje.
Odevy sú po dokončení cyklu vlhké.	Malá náplň.	Automatický program nedetegoval požadovanú konečnú vlhkosť a sušička program dokončí a zastaví sa. Pokiaľ k tomu dôjde, jednoducho vyberte ďalší krátky čas sušenia, prípadne vyberte možnosť „extra suché“, ak je táto možnosť k dispozícii.
	Veľká náplň alebo ťažšie tkaniny.	Úrovne sušenia možno upravovať podľa konkrétneho želaného vysušenia. Úroveň „Ext. suché do skrine“ sa odporúča pre konfekčné odevy.
	Cykľus sušenia bol pozastavený a potom sa do 15 minút znova neaktivoval, čo spôsobilo vypnutie zariadenia.	Cykľus sušenia sa musí nastaviť ešte raz a znova spustiť.
	Mohlo dôjsť k poruche napájania, ktorá spôsobila vypnutie stroja.	Cykľus sušenia sa musí nastaviť ešte raz a znova spustiť.

Svetelné ukazovatele

Zberná nádobka na vodu	Zberná nádobka je plná.	Vyprázdňte zbernú nádobku. Vyhľadajte časť čistenie a údržba.
Dverový filter	Porucha prúdenia vzduchu potrebného pre činnosť zariadenia.	Vyčistite dverový filter a skontrolujte, či je voľný prívod otvor pre nasávanie vzduchu. Ak by sa tieto operácie nevykonávali správnym spôsobom, mohlo by to viesť k poškodeniu sušičky. Vyhľadajte časť Čistenie a údržba.
Spodný filter*	Spodný filter sa musí vyčistiť.	Vyčistite spodný filter. Vyhľadajte časť čistenie a údržba.
Symbol anglického kľúča znamená výskyt poruchy.	Snímače na stroji zaznamenali poruchu.	Vypnite sušičku a odpojte ju od elektrickej siete. Ihneď otvorte dvierka a vyložte bielizeň, aby sa rozptýlilo nahromadené teplo. Počkajte asi 15 minút. Opäť pripojte sušičku k elektrickej sieti, naložte do nej bielizeň a znova spustíte cyklus sušenia. Ak problém pretrváva, kontaktujte servis zákazníckej podpory a poskytnite im abecedno-číslkové kódy, ktoré blikajú na displeji. Príklad: F3 a E2.

*Poznámka: Niektoré modely sú samočistiace; nie sú vybavené spodným filtrom, vyhľadajte časť čistenie a údržba.

Firemné zásady, štandardnú dokumentáciu, objednávanie náhradných dielov a ďalšie informácie o produkte nájdete na:

- Použitie QR kódu vo vašom spotrebiči
- Návšteva našej webovej stránky docs.whirlpool.eu a parts-selfservice.whirlpool.com
- Prípadne **sa obráťte na náš popredajný servis** (Telefónne číslo nájdete v záručnej knižke). Pri kontaktovaní nášho popredajného servisu uveďte, prosím, kódy z výrobného štítku vášho spotrebiča.

