

### Contents

**GB**

English,1

**PL**

Polski,13

**IT**

Italiano,25

**UA**

Українська,37

**RSSF 603**

#### **Installation, 2-3**

Unpacking and levelling  
Connecting the electricity and water supplies  
The first wash cycle  
Technical data

#### **Care and maintenance, 4**

Cutting off the water and electricity supplies  
Cleaning the washing machine  
Cleaning the detergent dispenser drawer  
Caring for the door and drum of your appliance  
Cleaning the pump  
Checking the water inlet hose

#### **Precautions and tips, 5**

General safety  
Disposal  
Opening the porthole door manually

#### **Description of the washing machine, 6-7**

Control panel  
Display

#### **Running a wash cycle, 8**

#### **Wash cycles and options, 9**

Table of programmes and wash cycles  
Wash option

#### **Detergents and laundry, 10**

Detergent dispenser drawer  
Preparing the laundry  
Special wash cycles  
Load balancing system

#### **Troubleshooting, 11**

#### **Service, 12**

# Installation

GB

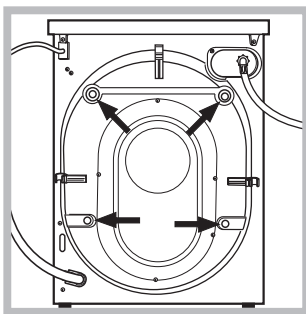
! This instruction manual should be kept in a safe place for future reference. If the washing machine is sold, transferred or moved, make sure that the instruction manual remains with the machine so that the new owner is able to familiarise himself/herself with its operation and features.

! Read these instructions carefully: they contain vital information relating to the safe installation and operation of the appliance.

## Unpacking and levelling

### Unpacking

1. Remove the washing machine from its packaging.
2. Make sure that the washing machine has not been damaged during the transportation process. If it has been damaged, contact the retailer and do not proceed any further with the installation process.

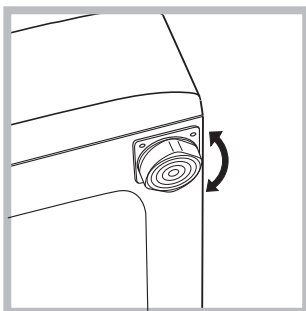


3. Remove the 4 protective screws (used during transportation) and the rubber washer with the corresponding spacer, located on the rear part of the appliance (see figure).

4. Close off the holes using the plastic plugs provided.
5. Keep all the parts in a safe place: you will need them again if the washing machine needs to be moved to another location.

! Packaging materials should not be used as toys for children.

### Levelling



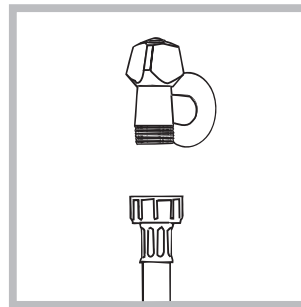
1. Install the washing machine on a flat sturdy floor, without resting it up against walls, furniture cabinets or anything else.

2. If the floor is not perfectly level, compensate for any unevenness by tightening or loosening the adjustable front feet (see figure); the angle of inclination, measured in relation to the worktop, must not exceed 2°.

Levelling the machine correctly will provide it with stability, help to avoid vibrations and excessive noise and prevent it from shifting while it is operating. If it is placed on carpet or a rug, adjust the feet in such a way as to allow a sufficient ventilation space underneath the washing machine.

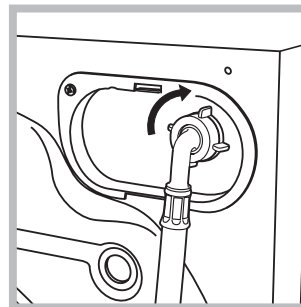
## Connecting the electricity and water supplies

### Connecting the water inlet hose



1. Connect the inlet hose by screwing it to a cold water tap using a 3/4 gas threaded connection (see figure).

Before performing the connection, allow the water to run freely until it is perfectly clear.



2. Connect the inlet hose to the washing machine by screwing it onto the corresponding water inlet of the appliance, which is situated on the top right-hand side of the rear part of the appliance (see figure).

3. Make sure that the hose is not folded over or bent.

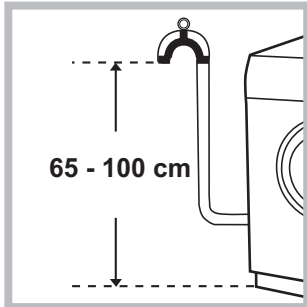
! The water pressure at the tap must fall within the range of values indicated in the Technical data table (see next page).

! If the inlet hose is not long enough, contact a specialised shop or an authorised technician.

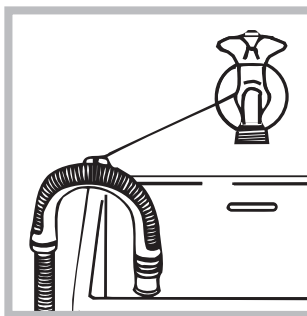
! Never use second-hand hoses.

! Use the ones supplied with the machine.

## Connecting the drain hose



Connect the drain hose, without bending it, to a drain duct or a wall drain situated between 65 and 100 cm from the floor.



Alternatively, place the drain hose over the edge of a washbasin or bathtub, by fastening the guide (which can be purchased at the technical assistance centre) to the tap (see figure). The free end of the

hose should not be underwater.

! We advise against the use of hose extensions; if it is absolutely necessary, the extension must have the same diameter as the original hose and must not exceed 150 cm in length.

## Electrical connections

Before plugging the appliance into the electricity socket, make sure that:

- the socket is earthed and complies with all applicable laws;
- the socket is able to withstand the maximum power load of the appliance as indicated in the Technical data table (see opposite);
- the power supply voltage falls within the values indicated in the Technical data table (see opposite);
- the socket is compatible with the plug of the washing machine. If this is not the case, replace the socket or the plug.


! The washing machine must not be installed outdoors, even in covered areas. It is extremely dangerous to leave the appliance exposed to rain, storms and other weather conditions.

! When the washing machine has been installed, the electricity socket must remain within easy reach.

- ! Do not use extension cords or multiple sockets.
  - ! The cable should not be bent or compressed.
  - ! The power supply cable must only be replaced by authorised technicians.
- Warning! The company shall not be held responsible in the event that these standards are not observed.

## The first wash cycle

Once the appliance has been installed, and before you use it for the first time, run a wash cycle with detergent and no laundry, using wash cycle auto clean (see "Cleaning the washing machine").

Technical data	
<b>Model</b>	RSSF 603
<b>Dimensions</b>	width 59.5 cm height 85 cm depth 42,5 cm
<b>Capacity</b>	from 1 to 6 kg
<b>Electrical connections</b>	please refer to the technical data plate fixed to the machine
<b>Water connections</b>	maximum pressure 1 MPa (10 bar) minimum pressure 0.05 MPa (0.5 bar) drum capacity 40 litres
<b>Spin speed</b>	up to 1000 rotations per minute
<b>Test wash cycles in accordance with regulations 1061/2010 1015/2010</b>	programme 9 ; Eco Cotton 60°C. programme 9 ; Eco Cotton 40°C.
	This appliance conforms to the following EC Directives: - EMC - 2014/30/EU (Electromagnetic Compatibility) - LVD - 2014/35/EU (Low Voltage) - 2012/19/EU (WEEE)

# Care and maintenance

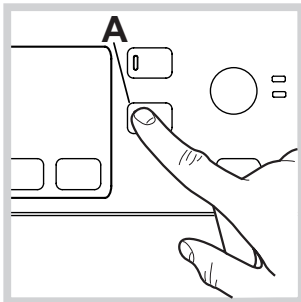
GB

## Cutting off the water and electricity supplies

- Turn off the water tap after every wash cycle. This will limit wear on the hydraulic system inside the washing machine and help to prevent leaks.
- Unplug the washing machine when cleaning it and during all maintenance work.

## Cleaning the washing machine

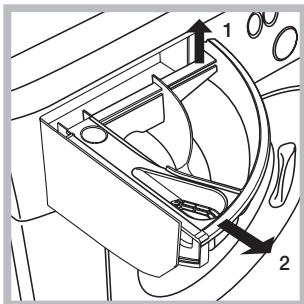
- The outer parts and rubber components of the appliance can be cleaned using a soft cloth soaked in lukewarm soapy water. Do not use solvents or abrasives.
- The washing machine has a auto clean programme for its internal parts that **must be run with no load in the drum**.



To help the wash cycle you may want to use either the detergent (i.e. a quantity 10% the quantity specified for lightly-soiled garments) or special additives to clean the washing machine. We recommend running a

cleaning programme every 40 wash cycles. To start the programme press button **A** for 5 seconds (see figure). The programme will start automatically and will run for about 70 minutes. To stop the cycle press the START/PAUSE button.

## Cleaning the detergent dispenser drawer



Remove the dispenser by raising it and pulling it out (see figure). Wash it under running water; this operation should be repeated frequently.

## Caring for the door and drum of your appliance

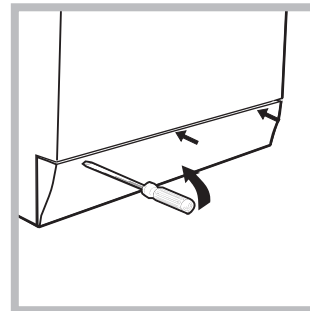
- Always leave the porthole door ajar in order to prevent unpleasant odours from forming.

## Cleaning the pump

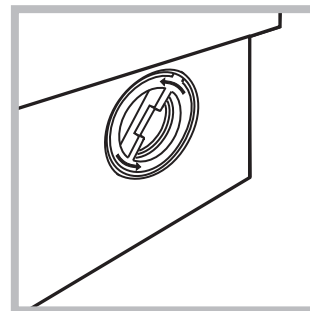
The washing machine is fitted with a self-cleaning pump which does not require any maintenance. Sometimes, small items (such as coins or buttons) may fall into the pre-chamber which protects the pump, situated in its bottom part.

! Make sure the wash cycle has finished and unplug the appliance.

To access the pre-chamber:



1. using a screwdriver, remove the cover panel on the lower front part of the washing machine (see figure);



2. unscrew the lid by rotating it anti-clockwise (see figure): a little water may trickle out. This is perfectly normal;

3. clean the inside thoroughly;
4. screw the lid back on;
5. reposition the panel, making sure the hooks are securely in place before you push it onto the appliance.

## Checking the water inlet hose

Check the inlet hose at least once a year. If there are any cracks, it should be replaced immediately: during the wash cycles, water pressure is very strong and a cracked hose could easily split open.

! Never use second-hand hoses.

! This washing machine was designed and constructed in accordance with international safety regulations. The following information is provided for safety reasons and must therefore be read carefully.

## General safety

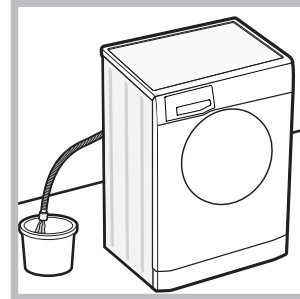
- This appliance was designed for domestic use only.
- This appliance can be used by children aged from 8 years and above and persons with reduced physical, sensory or mental capabilities or lack of experience and knowledge if they have been given supervision or instruction concerning use of the appliance in a safe way and understand the hazards involved. Children shall not play with the appliance. Cleaning and user maintenance shall not be made by children without supervision.
- Do not touch the machine when barefoot or with wet or damp hands or feet.
- Do not pull on the power supply cable when unplugging the appliance from the electricity socket. Hold the plug and pull.
- Do not open the detergent dispenser drawer while the machine is in operation.
- Do not touch the drained water as it may reach extremely high temperatures.
- Never force the porthole door. This could damage the safety lock mechanism designed to prevent accidental opening.
- If the appliance breaks down, do not under any circumstances access the internal mechanisms in an attempt to repair it yourself.
- Always keep children well away from the appliance while it is operating.
- The door can become quite hot during the wash cycle.
- If the appliance has to be moved, work in a group of two or three people and handle it with the utmost care. Never try to do this alone, because the appliance is very heavy.
- Before loading laundry into the washing machine, make sure the drum is empty.

## Disposal

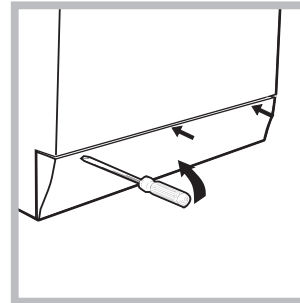
- Disposing of the packaging materials: observe local regulations so that the packaging may be re-used.
- The European Directive 2012/19/EU on Waste Electrical and Electronic Equipment, requires that old household electrical appliances must not be disposed of in the normal unsorted municipal waste stream. Old appliances must be collected separately in order to optimise the recovery and recycling of the materials they contain and reduce the impact on human health and the environment. The crossed out "wheeled bin" symbol on the product reminds you of your obligation, that when you dispose of the appliance it must be separately collected. Consumers should contact their local authority or retailer for information concerning the correct disposal of their old appliance.

## Opening the porthole door manually

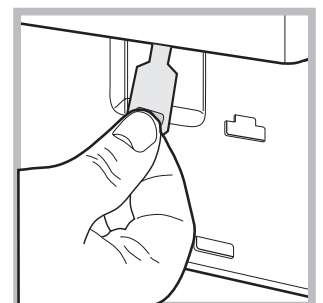
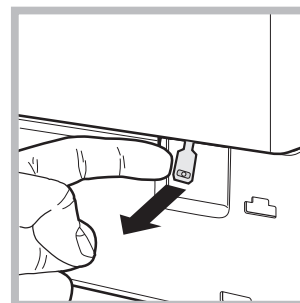
In the event that it is not possible to open the porthole door due to a powercut, and if you wish to remove the laundry, proceed as follows:



1. remove the plug from the electrical socket.
2. make sure the water level inside the machine is lower than the door opening; if it is not, remove excess water using the drain hose, collecting it in a bucket as indicated in the figure.



3. using a screwdriver, remove the cover panel on the lower front part of the washing machine (see figure).

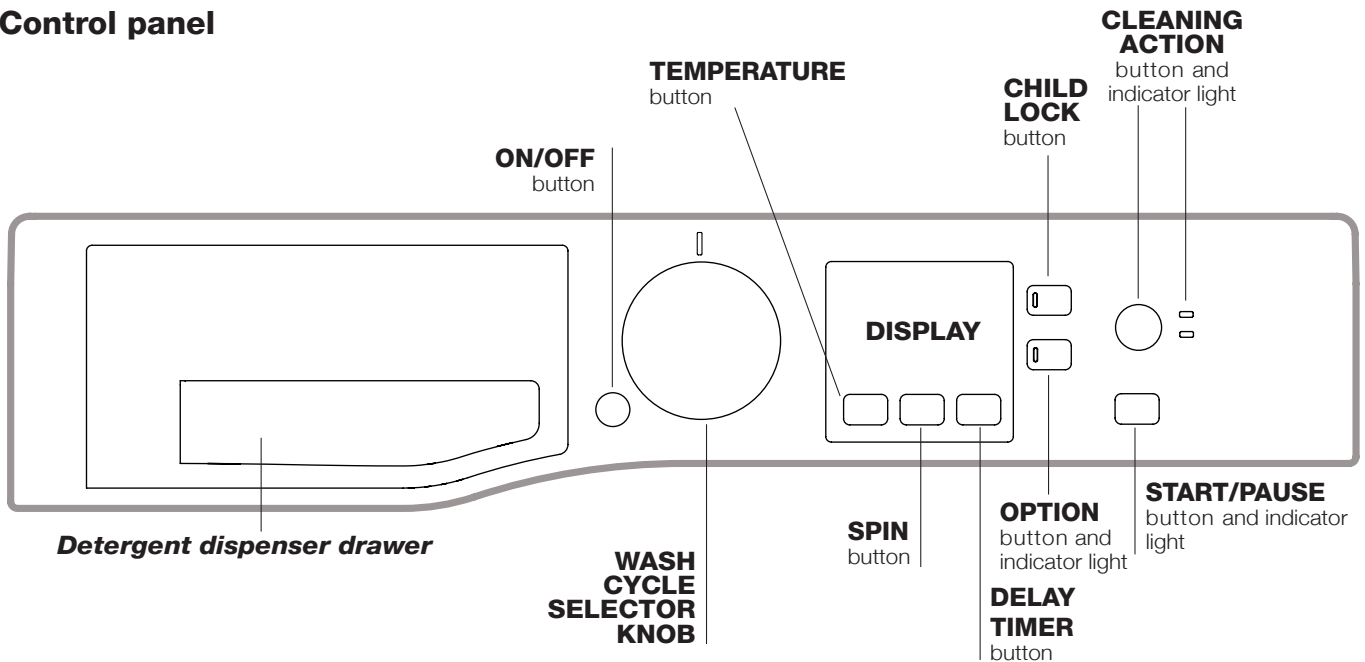


4. pull outwards using the tab as indicated in the figure, until the plastic tie-rod is freed from its stop position; pull downwards and open the door at the same time.
5. reposition the panel, making sure the hooks are securely in place before you push it onto the appliance.


# Description of the washing machine

## Control panel

GB




**Detergent dispenser drawer:** used to dispense detergents and washing additives ( see “Detergents and laundry”).


**ON/OFF**  button: press this briefly to switch the machine on or off. The START/PAUSE indicator light which flashes slowly in a green colour shows that the machine is switched on. To switch off the washing machine during the wash cycle, press and hold the button for approximately 3 seconds; if the button is pressed briefly or accidentally the machine will not switch off.


If the machine is switched off during a wash cycle, this wash cycle will be cancelled.


**WASH CYCLE SELECTOR KNOB:** used to set the desired wash cycle (see “Table of programmes and wash cycles”).

**OPTION** button and indicator light: press to select the available options. The indicator light corresponding to the selected option will remain lit.


**CLEANING ACTION** button and indicator light : to select the desired wash intensity.

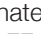
**TEMPERATURE**  button: press to reduce or completely exclude the temperature; the value appears on the display.

**SPIN**  button: press to reduce or completely exclude the spin cycle; the value appears on the display.

**DELAY TIMER**  button: press to set a delayed start for the selected wash cycle; the delay period appears on the display.

**START/PAUSE** button and indicator light: when the green indicator light flashes slowly, press the button to start a wash cycle. Once the cycle has begun the indicator light will remain lit in a fixed manner. To pause the wash cycle, press the button again; the indicator light will flash in an

amber colour. If the  symbol is not illuminated, the door may be opened. To start the wash cycle from the point at which it was interrupted, press the button again.

**CHILD LOCK** button: to activate the control panel lock, press and hold the button for approximately 2 seconds. When the indicator light  is illuminated, the control panel is locked (apart from the ON/OFF button). This means it is possible to prevent wash cycles from being modified accidentally, especially where there are children in the home. To deactivate the control panel lock, press and hold the button for approximately 2 seconds.

### Standby mode

This washing machine, in compliance with new energy saving regulations, is fitted with an automatic standby system which is enabled after about 30 minutes if no activity is detected. Press the ON-OFF button briefly and wait for the machine to start up again.

### Antimicrobial seal

The seal around the porthole door is made from a special mixture ensuring antimicrobial protection, thus reducing bacterial proliferation up to 99.99%.

The seal contains zinc pyrithione, a biocidal substance which reduces the proliferation of harmful microbes (\*) such as bacteria and mould prone to causing stains, unpleasant odours and product deterioration.

(\*) **According to tests performed by the University of Perugia, Italy on:** *Staphylococcus aureus*, *Escherichia coli*, *Pseudomonas aeruginosa*, *Candida albicans*, *Aspergillus niger*, *Penicillium digitatum*.

In rare cases an allergic reaction may be caused by prolonged contact between seal and skin.



## Display

GB




The display is useful when programming the machine and provides a great deal of information.

The duration of the available wash cycles and the remaining time of a running cycle appear (the display will show the maximum duration of the cycle chosen, which may decrease after several minutes, since the effective duration of the programme varies depending on the wash load and the settings chosen); if the DELAY TIMER option has been set, the countdown to the start of the selected wash cycle will appear.


Pressing the corresponding button allows you to view the maximum spin speed and temperature values attained by the machine during the set wash cycle, or the values selected most recently, if these are compatible with the set wash cycle.

### **DOOR LOCKED** indicator light:

The lit symbol indicates that the door is locked. To prevent any damage, wait until the symbol turns off before opening the door. To open the door while a cycle is in progress, press the START/PAUSE button; if the DOOR LOCKED  symbol is switched off the door may be opened.



# Running a wash cycle

GB

1. **SWITCH THE MACHINE ON.** Press the  button; the START/PAUSE indicator light will flash slowly in a green colour.
2. **LOAD THE LAUNDRY.** Open the porthole door. Load the laundry, making sure you do not exceed the maximum load value indicated in the table of programmes and wash cycles on the following page.
3. **MEASURE OUT THE DETERGENT.** Pull out the detergent dispenser drawer and pour the detergent into the relevant compartments as described in “*Detergents and laundry*”.
4. **CLOSE THE DOOR.**
5. **SELECT THE WASH CYCLE.** Use the WASH CYCLE SELECTOR knob to select the desired wash cycle. A temperature and spin speed is set for each wash cycle; these values may be adjusted. The duration of the cycle will appear on the display.

6. **CUSTOMISE THE WASH CYCLE.** Use the relevant buttons:


#### Modify the temperature and/or spin speed.

The machine automatically displays the maximum temperature and spin speed values set for the selected cycle, or the most recently-used settings if they are compatible with the selected cycle. The temperature can be decreased by pressing the  button, until the cold wash “OFF” setting is reached. The spin speed may be progressively reduced by pressing the  button, until it is completely excluded (the “OFF” setting). If these buttons are pressed again, the maximum values are restored.


! Exception: if the 3 programme is selected, the temperature can be increased up to a value of 90°C.


! Exception: if the 4 programme is selected, the temperature can be increased up to a value of 60°C.

#### Setting a delayed start.

To set a delayed start for the selected cycle, press the corresponding button repeatedly until the required delay period has been reached. When this option has been activated, the  symbol lights up on the display. To remove the delayed start setting, press the button until the text “OFF” appears on the display.


#### Set the desired wash intensity.

Option  makes it possible to optimise washing based on the level of soil in the fabrics and on desired wash cycle intensity.

For heavily-soiled garments press  button until the “Intensive” level is reached. This level ensures a high-performance wash due to a larger quantity of water used in the initial phase of the cycle and due to increased drum rotation. It is useful when removing the most stubborn stains.

It can be used **with** or **without** bleach. If you desire bleaching, insert the extra tray compartment **3**.

When pouring in the bleach, be careful not to exceed the “max” level marked on the central pivot (see figure pag. 10).



For lightly-soiled garments or a more delicate treatment of the fabrics, press  button until the “Delicate” level is reached. The cycle will reduce drum rotation to ensure washing results that are perfect for delicate garments.

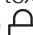
#### Modify the cycle settings.


- Press the button to enable the option; the indicator light corresponding to the button will switch on.
- Press the button again to disable the option; the indicator light will switch off.

! If the selected option is not compatible with the set wash cycle, the indicator light will flash and the option will not be activated.

! The options may affect the recommended load value and/or the duration of the cycle.





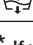
7. **START THE WASH CYCLE.** Press the START/PAUSE button. The corresponding indicator light will turn green, remaining lit in a fixed manner, and the door will be locked (the DOOR LOCKED  symbol will be lit). To change a wash cycle while it is in progress, **pause the washing machine** using the START/PAUSE button (the START/PAUSE indicator light will flash slowly in an amber colour); then select the desired cycle and press the START/PAUSE button again. To open the door while a cycle is in progress, press the START/PAUSE button; if the DOOR LOCKED  symbol is switched off the door may be opened. Press the START/PAUSE button again to restart the wash cycle from the point at which it was interrupted.

8. **THE END OF THE WASH CYCLE.** This will be indicated by the text “END” on the display; when the DOOR LOCKED  symbol switches off the door may be opened. Open the door, unload the laundry and switch off the machine.

! If you wish to cancel a cycle which has already begun, press and hold the  button. The cycle will be stopped and the machine will switch off.



**Table of programmes and wash cycles**

Wash cycles	Description of the wash cycle	Max. temp. (°C)	Max. speed (rpm)	Detergents			Max. load (kg)	Residual dampness%	Energy consumption kWh	Total water lit	Cycle duration
				Wash	Fabric softener	Bleach					
<b>DAILY CLEAN</b>											
1	<b>Anti Stain</b>	40°	1000	●	●	-	4	-	-	-	**
2	<b>Anti Stain Quick</b>	40°	1000	●	●	-	3,5	-	-	-	**
3	<b>Cotton:</b> lightly soiled resistant and delicate colours.	40° (Max. 90°C)	1000	●	●	●	6	-	-	-	**
4	<b>Synthetics (3):</b> lightly soiled resistant colours.	40° (Max. 60°C)	1000	●	●	●	3,5	44	0,47	46	95'
5	<b>Mix 30':</b> to refresh lightly soiled garments quickly (not suitable for wool, silk and clothes which require washing by hand).	30°	800	●	●	-	3	71	0,16	39	30'
<b>SPECIALS</b>											
6	<b>Darks</b>	30°	800	●	●	-	4	-	-	-	**
7	<b>Delicates</b>	30°	0	●	●	-	1	-	-	-	**
8	<b>Wool:</b> for wool, cashmere, etc.	40°	800	●	●	-	1,5	-	-	-	**
9	<b>Eco Cotton 60°C</b>  (1): heavily soiled whites and resistant colours.	60°	1000	●	●	-	6	62	0,80	50	200'
9	<b>Eco Cotton 40°C</b>  (2): lightly soiled resistant and delicate colours.	40°	1000	●	●	-	6	62	0,65	65	170'
10	<b>Cotton 20°C:</b> lightly soiled resistant and delicate colours.	20°	1000	●	●	●	6	-	-	-	**
<b>EXTRA</b>											
11	<b>Baby</b>	40°	1000	●	●	●	4	-	-	-	**
12	<b>Anti Allergy</b>	60°	1000	●	●	●	4	-	-	-	**
13	<b>Silk/Curtains:</b> for garments in silk and viscose, lingerie.	30°	0	●	●	-	1	-	-	-	**
14	<b>Padded Jackets</b>	30°	1000	●	●	-	1	-	-	-	**
<b>Partial Programmes</b>											
	<b>Rinse</b>	-	1000	-	●	-	6	-	-	-	**
	<b>Spin and Pump out</b>	-	1000	-	-	-	6	-	-	-	**
	<b>Pump out only *</b>	-	OFF	-	-	-	6	-	-	-	**

\* If you select programme  and exclude the spin cycle, the machine will drain only.

\*\* The duration of the wash cycle can be checked on the display.

The length of cycle shown on the display or in this booklet is an estimation only and is calculated assuming standard working conditions. The actual duration can vary according to factors such as water temperature and pressure, the amount of detergent used, the amount and type of load inserted, load balancing and any wash options selected.

1) Test wash cycle in compliance with regulations 1061/2010: set wash cycle 9 with a temperature of 60°C.

This cycle is designed for cotton loads with a normal soil level and is the most efficient in terms of both electricity and water consumption; it should be used for garments which can be washed at 60°C. The actual washing temperature may differ from the indicated value.

2) Test wash cycle in compliance with regulations 1061/2010: set wash cycle 9 with a temperature of 40°C.

This cycle is designed for cotton loads with a normal soil level and is the most efficient in terms of both electricity and water consumption; it should be used for garments which can be washed at 40°C. The actual washing temperature may differ from the indicated value.

For all Test Institutes:

2) Long wash cycle for cottons: set programme 9 at temperature 40°C.

3) Long wash cycle for synthetics: set wash cycle 4 with a temperature of 40°C.

## Wash options

! If the selected option is not compatible with the set wash cycle, the indicator light will flash and the option will not be activated.

### Extra Rinse

By selecting this option, the efficiency of the rinse is increased and optimal detergent removal is guaranteed. It is particularly useful for sensitive skin.

# Detergents and laundry

GB

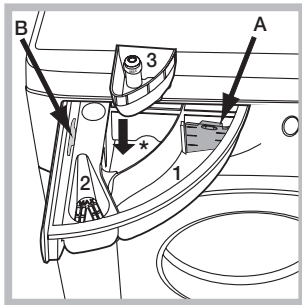
## Detergent dispenser drawer

Successful washing results also depend on the correct dose of detergent: adding too much detergent will not necessarily result in a more efficient wash, and may in fact cause build up on the inside of your appliance and contribute to environmental pollution.

! Use powder detergent for white cotton garments, for pre-washing, and for washing at temperatures over 60°C.

! Follow the instructions given on the detergent packaging.

! Do not use hand washing detergents; they create too much foam.



Open the detergent dispenser drawer and pour in the detergent or washing additive, as follows.

! Do not pour detergent into the middle compartment (\*).

### compartment 1: Detergent for the wash cycle (powder or liquid)

If liquid detergent is used, it is recommended that the removable plastic partition **A** (supplied) be used for proper dosage. If powder detergent is used, place the partition into slot **B**.

### compartment 2: Additives (fabric softeners, etc.)

The fabric softener should not overflow the grid.

### extra compartment 3: Bleach

## Preparing the laundry

- Divide the laundry according to:
  - the type of fabric/the symbol on the label
  - the colours: separate coloured garments from whites.
- Empty all garment pockets and check the buttons.
- Do not exceed the listed values, which refer to the weight of the laundry when dry: see "Table of programmes and wash cycles".

### How much does your laundry weigh?

- 1 sheet 400-500 g
- 1 pillow case 150-200 g
- 1 tablecloth 400-500 g
- 1 bathrobe 900-1,200 g
- 1 towel 150-250 g

## Special wash cycles

**Anti Stain:** the programme **1** is suitable to heavily-soiled garments with resistant colours. It ensures a washing class that is higher than the standard class (A class). When running the programme, do not mix garments of different colours. We recommend the use of powder detergent. Pre-treatment with special additives is recommended if there are obstinate stains.

**Anti Stain Quick:** this programme is ideal for washing the most difficult daily stains in 1 hour. It is ideal for mixed fabrics and coloured garments, caring for your clothes as it washes.

**Darks:** use cycle **6** to wash dark-coloured garments. This programme is designed to maintain dark colours over time. We recommend using a liquid detergent for the best results when washing dark-coloured garments.

**Delicates:** use programme **7** to wash very delicate garments having strasses or sequins.

We recommend turning the garments inside out before washing and placing small items into the special bag for washing delicates. Use liquid detergent on delicate garments for best results.

### Wool - Woolmark Apparel Care - Green:

the wool wash cycle of this machine has been approved by The Woolmark Company for the washing of wool garments labelled as "hand wash" provided that the products are washed according to the instructions on the garment label and those issued by the manufacturer of this washing machine (M1128)



**Cotton 20°C:** the programme **10** ideal for lightly soiled cotton loads. The effective performance levels achieved at cold temperatures, which are comparable to washing at 40°, are guaranteed by a mechanical action which operates at varying speed, with repeated and frequent peaks.

**Baby:** use the special wash cycle **11** to remove the remove the soiling typically caused by babies, while removing all traces of detergent from nappies in order to prevent the delicate skin of babies from suffering allergic reactions. The cycle has been designed to reduce the amount of bacteria by using a greater quantity of water and optimising the effect of special disinfecting additives added to the detergent.

**Anti Allergy:** use programme **12** to remove major allergens such as pollen, mites, cat's and dog's hair.

**Silk:** use special wash cycle **13** to wash all silk garments. We recommend the use of special detergent which has been designed to wash delicate clothes.

**Curtains:** fold curtains and place them in a pillow case or mesh bag. Use wash cycle **13**.

**Padded Jackets:** to wash clothes padded with goose down (such as puffer jackets) or cushions (the total weight of which should not exceed 1 kg), use the special **14** programme.

## Load balancing system

Before every spin cycle, to avoid excessive vibrations before every spin and to distribute the load in a uniform manner, the drum rotates continuously at a speed which is slightly greater than the washing rotation speed. If, after several attempts, the load is not balanced correctly, the machine spins at a reduced spin speed. If the load is excessively unbalanced, the washing machine performs the distribution process instead of spinning. To encourage improved load distribution and balance, we recommend small and large garments are mixed in the load.

Your washing machine could occasionally fail to work. Before contacting the Technical Assistance Service (see “Service”), make sure that the problem cannot be solved easily using the following list.

## Problem:

## Possible causes / Solutions:

**The washing machine does not switch on.**

- The appliance is not plugged into the socket fully, or not enough to make contact.
- There is no power in the house.

**The wash cycle does not start.**

- The washing machine door is not closed properly.
- The ON/OFF button has not been pressed.
- The START/PAUSE button has not been pressed.
- The water tap has not been opened.
- A delayed start has been set.

**The washing machine does not fill with water (the text “H2O” flashes on the display).**

- The water inlet hose is not connected to the tap.
- The hose is bent.
- The water tap has not been opened.
- There is no water supply in the house.
- The pressure is too low.
- The START/PAUSE button has not been pressed.

**The washing machine continuously takes in and drains water.**

- The drain hose is not fitted at a height between 65 and 100 cm from the floor (see “Installation”).
- The free end of the hose is under water (see “Installation”).
- The wall drainage system is not fitted with a breather pipe.

If the problem persists even after these checks, turn off the water tap, switch the appliance off and contact the Technical Assistance Service. If the dwelling is on one of the upper floors of a building, there may be problems relating to water drainage, causing the washing machine to fill with water and drain continuously. Special anti-draining valves are available in shops and help to prevent this inconvenience.

**The washing machine does not drain or spin.**

- The wash cycle does not include draining: some cycles require the draining process to be enabled manually.
- The drain hose is bent (see “Installation”).
- The drainage duct is clogged.

**The washing machine vibrates a lot during the spin cycle.**

- The drum was not unlocked correctly during installation (see “Installation”).
- The washing machine is not level (see “Installation”).
- The washing machine is trapped between cabinets and walls (see “Installation”).

**The washing machine leaks.**

- The water inlet hose is not screwed on properly (see “Installation”).
- The detergent dispenser drawer is blocked (for cleaning instructions, see “Care and maintenance”).
- The drain hose is not fixed properly (see “Installation”).

**The “option” and START/PAUSE indicator lights flash rapidly and an error code appears on the display (e.g.: F-01, F-..).**

- Switch off the machine and unplug it, wait for approximately 1 minute and then switch it back on again.
- If the problem persists, contact the Technical Assistance Service.

**There is too much foam.**

- The detergent is not suitable for machine washing (it should display the text “for washing machines” or “hand and machine wash”, or the like).
- Too much detergent was used.

# Service

GB

## Before contacting the Technical Assistance Service:

- Check whether you can solve the problem alone (see "Troubleshooting").
- Restart the wash cycle to check whether the problem has been solved.
- If this is not the case, contact an authorised Technical Assistance Centre.

! Always request the assistance of authorised technicians.

## Have the following information to hand:

- the type of problem;
- the appliance model (Mod.);
- the serial number (S/N).

This information can be found on the data plate applied to the rear of the washing machine, and can also be found on the front of the appliance by opening the door.

COMMISSION DELEGATED REGULATION (EU) No 1061/2010	
Brand	HOTPOINT/ARISTON
Model	RSSF 603 EU
Rated capacity in kg of cotton	6
Energy efficiency class on a scale from A+++ (low consumption) to G (high consumption)	A+++
Energy consumption per year in kWh <sup>1)</sup>	152
Energy consumption of the standard 60 °C cotton programme at full load in kWh <sup>2)</sup>	0.803
Energy consumption of the standard 60 °C cotton programme at partial load in kWh <sup>2)</sup>	0.583
Energy consumption of the standard 40 °C cotton programme at partial load in kWh <sup>2)</sup>	0.545
Power consumption of the off-mode in W	0.5
Power consumption of the left-on mode in W	8
Water consumption per year in litres <sup>3)</sup>	8400
Spin-drying efficacy class on a scale from G (minimum efficacy) to A (maximum efficacy)	C
Maximum spin speed attained <sup>4)</sup>	1000
Remaining moisture content <sup>5)</sup>	62.0%
Programme time of the "standard 60 °C cotton" at full load in minutes	200
Programme time of the "standard 60 °C cotton" at partial load in minutes	150
Programme time of the "standard 40°C cotton" at partial load in minutes	145
Duration of the left-on mode in minutes	30
Noise in dB(A) re 1 pW washing <sup>6)</sup>	62
Noise in dB(A) re 1 pW spinning <sup>6)</sup>	79
Built-in model	

<sup>1)</sup> The "standard 60°C cotton" at full and partial load and the "standard 40°C cotton" at partial load are the standard washing programmes to which the information in the label and the fiche relates. Standard 60°C cotton and standard 40°C cotton are suitable to clean normally soiled cotton laundry and are the most efficient programmes in terms of combined energy and water consumption. Partial load is half the rated load.

<sup>2)</sup> Based on 220 standard washing cycles for cotton programmes at 60°C and 40°C at full and partial load, and the consumption of the low-power modes. Actual energy consumption will depend on how the appliance is used.

<sup>3)</sup> Based on 220 standard washing cycles for cotton programmes at 60°C and 40°C at full and partial load. Actual water consumption will depend on how the appliance is used.

<sup>4)</sup> For the standard 60 °C at full and partial load or the 40°C at partial whichever is lower.

<sup>5)</sup> Attained for 60 °C cotton at full and partial load or the 40°C at partial whichever is higher.

<sup>6)</sup> Based on washing and spinning phases for the standard 60°C cotton programme at full load.

PL

Polski

RSSF 603

## Spis treści

### Instalacja, 14-15

Rozpakowanie i wypoziomowanie  
Podłączenia hydrauliczne i elektryczne  
Pierwszy cykl prania  
Dane techniczne

### Utrzymanie i konserwacja, 16

Odłączenie wody i prądu elektrycznego  
Czyszczenie pralki  
Czyszczenie szufladki na środki piorące  
Konserwacja okrągłych drzwiczek i bębna  
Czyszczenie pompy  
Kontrola przewodu doprowadzającego wodę

### Zalecenia i środki ostrożności, 17

Ogólne zasady bezpieczeństwa  
Utylizacja  
Ręczne otwieranie okrągłych drzwiczek

### Opis pralki, 18-19

Panel sterowania  
Wyświetlacz

### Jak wykonać cykl prania, 20

### Programy i opcje, 21

Tabela programów  
Opcje prania

### Środki piorące i bielizna, 22

Szufladka na środki piorące  
Przygotowanie bielizny  
Programy specjalne  
System równoważenia wsadu

### Nieprawidłowości w działaniu i sposoby ich usuwania, 23

### Serwis Techniczny, 24

# Instalacja

PL

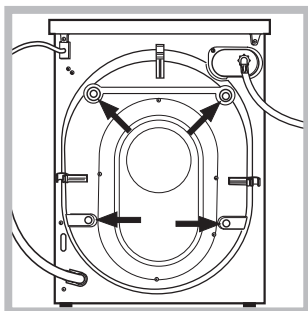
! Należy zachować niniejszą książeczkę, aby móc z niej skorzystać w każdej chwili. W przypadku sprzedaży, odstąpienia lub przeniesienia pralki w inne miejsce należy zadbać o przekazanie instrukcji wraz z nią, aby nowy właściciel mógł się zapoznać z działaniem urządzenia i z dotyczącymi go ostrzeżeniami.

! Należy uważnie przeczytać instrukcję obsługi: zawiera ona ważne informacje dotyczące instalacji oraz właściwego i bezpiecznego użytkowania pralki.

## Rozpakowanie i wypoziomowanie

### Rozpakowanie

1. Rozpakować pralkę.
2. Sprawdzić, czy nie doznała ona uszkodzeń w czasie transportu. W przypadku stwierdzenia uszkodzeń, nie podłączać pralki i skontaktować się ze sprzedawcą.



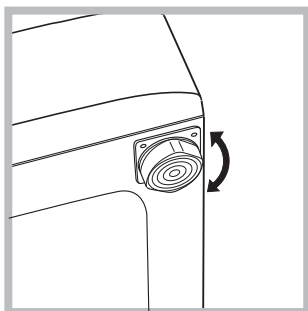
3. Odkręcić śruby zabezpieczające urządzenie na czas transportu oraz zdjąć gumowy element z podkładką, znajdujący się w tylnej części pralki (patrz rysunek).

4. Zatkać otwory przy pomocy plastikowych zaślepek, znajdujących się w wyposażeniu urządzenia.

5. Zachować wszystkie części: w razie konieczności przewiezienia pralki w inne miejsce, powinny one zostać ponownie zamontowane.

! Części opakowania nie są zabawkami dla dzieci.

### Poziomowanie



1. Ustawić pralkę na płaskiej i twardej podłodze, nie opierając jej o ściany, meble itp.

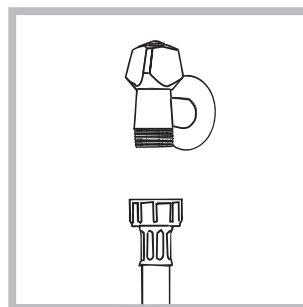
2. Jeśli podłoga nie jest idealnie pozioma, należy skompensować

nierówności, odkręcając lub dokręcając przednie nóżki (patrz rysunek); kąt nachylenia, zmierzony na górnym blacie pralki, nie powinien przekraczać 2°.

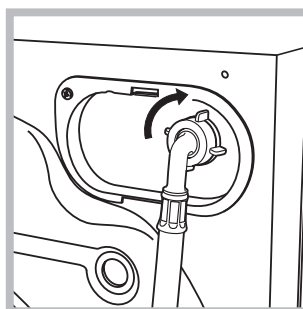
Staranne wypoziomowanie pralki zapewnia jej stabilność i zapobiega wibracjom, hałasowi oraz przesuwaniu się urządzenia w czasie pracy. W przypadku ustawienia na dywanie lub wykładzinie dywanowej, należy tak wyregulować nóżki, aby pod pralką pozostawała wolna przestrzeń niezbędna dla wentylacji.

## Podłączenia hydrauliczne i elektryczne

### Podłączenie przewodu doprowadzającego wodę



1. Podłącz przewód zasilający poprzez przykręcenie go do zaworu zimnej wody z końcówką gwintowaną (patrz rysunek): Przed podłączeniem spuszczać wodę do momentu, aż stanie się ona całkowicie przezroczysta.



2. Podłączyć do urządzenia przewód doprowadzający wodę, przykręcając go do odpowiedniego przyłącza wody, znajdującego się w tylnej części pralki, z prawej strony u góry (patrz rysunek).

3. Zwrócić uwagę, aby przewód nie był pozaginany ani przygnieciony.

! Ciśnienie wody w kurku powinno mieścić się w przedziale podanym w tabeli Danych technicznych (patrz strona obok).

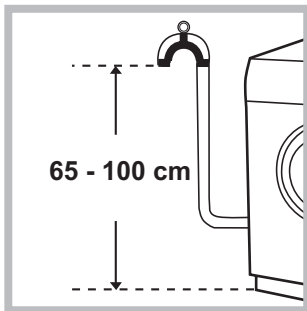
! Jeśli długość przewodu doprowadzającego wodę jest niewystarczająca, należy zwrócić się do specjalistycznego sklepu lub do autoryzowanego technika.

! Nigdy nie instalować przewodów, które były już używane.

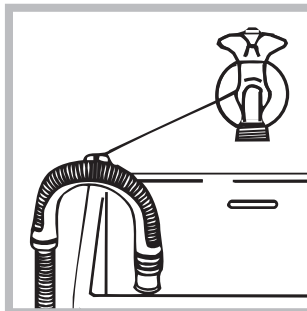
! Stosować przewody znajdujące się w wyposażeniu urządzenia.



## Podłączenie przewodu odpływowego



Podłączyć przewód odpływowy, nie zginając go, do rury ściekowej lub do otworu odpływowego w ścianie, które powinny się znajdować na wysokości od 65 do 100 cm od podłogi.



albo oprzeć Alternatywnie można oprzeć rurę odpływową na brzegu umywalki lub wanny, przymocowując przewodnicę (można ją zakupić w punkcie serwisowym)

do kurka (patrz rysunek). Wolny koniec przewodu odpływowego nie powinien być zanurzony w wodzie.

! Odradza się używanie rur przedłużających; jednak jeśli jest to konieczne, przedłużacz powinien mieć taki sam przekrój, jak oryginalna rura, a jego długość nie powinna przekraczać 150 cm.

## Podłączenie elektryczne

Przed włożeniem wtyczki do gniazdka elektrycznego należy się upewnić, czy:

- gniazdko posiada uziemienie i jest zgodne z obowiązującymi przepisami;
- gniazdko jest w stanie wytrzymać maksymalne obciążenie mocy urządzenia, wskazane w tabeli Danych technicznych (patrz obok);
- napięcie zasilania mieści się w wartościach wskazanych w tabeli Danych technicznych (patrz obok);
- gniazdko pasuje do wtyczki pralki. W przeciwnym razie należy wymienić gniazdko lub wtyczkę.

! Nie należy instalować pralki na otwartym powietrzu, nawet w osłoniętym miejscu, gdyż wystawienie urządzenia na działanie deszczu i burz jest bardzo niebezpieczne.  
! Po zainstalowaniu pralki gniazdko elektryczne powinno być łatwo dostępne.

! Nie używać przedłużaczy ani rozgałęźników.  
! Kabel nie powinien być pozginany ani przygnieciony.  
! Przewód zasilania elektrycznego może być wymieniany wyłącznie przez autoryzowanych techników.  
Uwaga! Producent nie ponosi żadnej odpowiedzialności, jeśli powyższe zasady nie będą przestrzegane.

## Pierwszy cykl prania

Po zainstalowaniu pralki, przed przystąpieniem do jej użytkowania, należy wykonać jeden cykl prania ze środkiem piorącym, ale bez wsadu, nastawiając program opcja czyszczenia pralki (patrz "Czyszczenie pralki").

## Dane techniczne

<b>Model</b>	RSSF 603
<b>Wymiary</b>	szerokość cm 59,5 wysokość cm 85 głębokość cm 42,5
<b>Pojemność</b>	od 1 do 6 kg
<b>Dane prądu elektrycznego</b>	dane techniczne umieszczone są na tabliczce na maszynie
<b>Dane sieci wodociągowej</b>	Maksymalne ciśnienie 1 MPa (10 barów) ciśnienie minimalne 0,05 MPa (0,5 barów) pojemność bębna 40 litrów
<b>Szybkość wirowania</b>	do 1000 obrotów na minutę
<b>Programy testowe zgodnie z regulaminem 1061/2010 i 1015/2010</b>	Program 9; Bawełna Eco 60°C. Program 9; Bawełna Eco 40°C.
 	Urządzenie to zostało wyprodukowane zgodnie z następującymi przepisami CE: - EMC - 2014/30/EU (o Kompatybilności Elektromagnetycznej) - 2012/19/EU (WEEE) - LVD - 2014/35/EU (o Niskim Napięciu)

# Utrzymanie i konserwacja

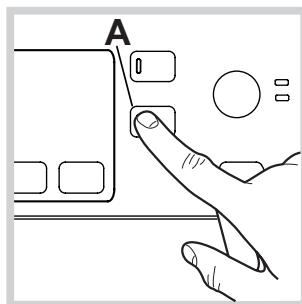
PL

## Odlączenie wody i prądu elektrycznego

- Zamknąć kurek dopływu wody po każdym praniu. W ten sposób zmniejsza się zużycie instalacji hydraulicznej pralki oraz eliminuje się niebezpieczeństwo wycieków.
- Przed przystąpieniem do czyszczenia pralki oraz do czynności konserwacyjnych wyjąć wtyczkę z gniazdka.

## Czyszczenie pralki

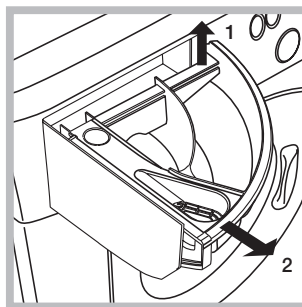
- Obudowę zewnętrzną i gumowe części pralki można myć ściereczką zmoconą w letniej wodzie z mydłem. Nie stosować rozpuszczalników ani ściernych środków czyszczących.
- Pralka jest wyposażona w program opcja czyszczenia pralki części wewnętrznych, który należy przeprowadzać **nie wprowadzając niczego do kosza pralki**. Środek piorący (w ilości równej 10% ilości zalecanej dla lekko zabrudzonej odzieży) lub dodatki przeznaczony specjalnie do czyszczenia pralek, mogą zostać użyte jako środki pomocnicze podczas programu czyszczenia. Zaleca się przeprowadzanie programu czyszczenia co 40 cykli prania.



W celu uruchomienia programu, należy nacisnąć przycisk **A** przez 5 sek. (zob. rysunek). Program rozpocznie się automatycznie i będzie trwał około 70 minut. W celu zakończenia cyklu, należy nacisnąć

przycisk START/PAUZA.

## Czyszczenie szufladki na środki piorące



Wysunąć szufladkę, unosząc ją lekko ku górze i wyciągając na zewnątrz (patrz rysunek). Wypłukać szufladkę pod bieżącą wodą. Czynność tę należy wykonywać stosunkowo często.

## Konserwacja okrągłych drzwiczek i bębna

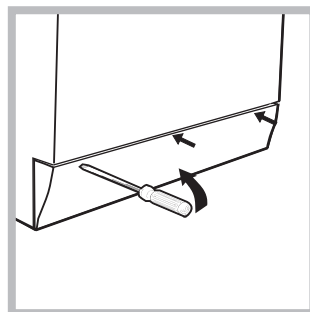
- Drzwiczki pralki należy zawsze pozostawiać uchylone, aby zapobiec tworzeniu się nieprzyjemnych zapachów.

## Czyszczenie pompy

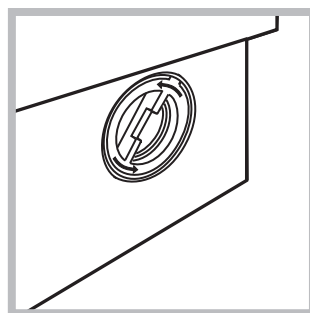
Pralka wyposażona jest w pompę samoczyszczącą, która nie wymaga zabiegów konserwacyjnych. Może się jednak zdarzyć, że drobne przedmioty (monety, guziki) wpadną do komory wstępnej zabezpieczającej pompę, która znajduje się w jej dolnej części.

! Należy się upewnić, że cykl prania został zakończony i wyjąć wtyczkę z gniazdka.

Aby dostać się do komory wstępnej:



1. zdjąć panel pokrywy z przedniej strony pralki przy pomocy śrubokrętu (patrz rysunek);



2. odkręcić pokrywę, obracając ją w kierunku przeciwnym do ruchu wskazówek zegara (patrz rysunek): wypłynięcie niewielkiej ilości wody jest normalnym zjawiskiem;

3. dokładnie wyczyścić wnętrze;
4. ponownie przykręcić pokrywę;
5. ponownie założyć panel upewniwszy się, przed dociśnięciem go do maszyny, czy zatrzaski zostały umieszczone w odpowiednich otworach.

## Kontrola przewodu doprowadzającego wodę

Przynajmniej raz w roku należy sprawdzić przewód doprowadzający wodę. Jeśli widoczne są na nim pęknięcia i rysy, należy go wymienić: w trakcie prania duże ciśnienie może bowiem spowodować jego nagłe zerwanie.

! Nigdy nie instalować już używanych przewodów.

! Pralka została zaprojektowana i wyprodukowana zgodnie z międzynarodowymi normami bezpieczeństwa. Niniejsze ostrzeżenia zostały tu zamieszczone ze względów bezpieczeństwa i należy je uważnie przeczytać.

## Ogólne zasady bezpieczeństwa

- Urządzenie to zostało zaprojektowane wyłącznie do użytkowania w warunkach domowych.
- Z niniejszego urządzenia mogą korzystać dzieci powyżej 8 roku życia i osoby o ograniczonych zdolnościach fizycznych, zmysłowych bądź umysłowych, jak również osoby nieposiadające doświadczenia lub znajomości urządzenia, jeśli znajdują się one pod nadzorem innych osób lub jeśli zostały pouczone na temat bezpiecznego sposobu użycia urządzenia oraz zdają sobie sprawę ze związanych z nim zagrożeń. Dzieci nie powinny bawić się urządzeniem. Prace związane z czyszczeniem i konserwacją nie mogą być wykonywane przez dzieci, jeśli nie są one nadzorowane.
- Nie dotykać pralki stojąc przy niej boso lub mając mokre lub wilgotne ręce albo stopy.
- Nie wyjmować wtyczki z gniazdka ciągnąc za kabel, należy trzymać za wtyczkę.
- W trakcie pracy maszyny nie otwierać szufladki na środki piorące.
- Nie dotykać odprowadzanej wody, gdyż może ona być bardzo gorąca.
- W żadnym wypadku nie otwierać na siłę drzwiczek pralki: grozi to uszkodzeniem mechanizmu zabezpieczającego drzwiczki przed przypadkowym otwarciem.
- W razie wystąpienia usterki nie należy w żadnym wypadku ingerować w wewnętrzne części pralki z zamiarem samodzielnego dokonania naprawy.
- Zawsze uważać, aby dzieci nie zbliżyły się do pracującej pralki.
- W czasie prania drzwiczki pralki nagrzewają się.
- Jeśli trzeba przenieść pralkę w inne miejsce, należy to robić bardzo ostrożnie, w dwie lub trzy osoby. Nigdy nie należy samodzielnie przenosić urządzenia, gdyż jest ono bardzo ciężkie.
- Przed włożeniem bielizny sprawdzić, czy bęben jest pusty.

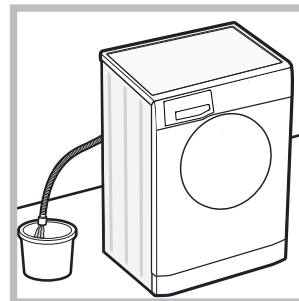
## Utylizacja

- Utylizacja opakowania: stosować się do lokalnych przepisów, dzięki temu opakowanie będzie mogło zostać ponownie wykorzystane.
- Dyrektywa europejska 2012/19/EU dotycząca odpadów urządzeń elektrycznych i elektronicznych przewiduje, że elektryczne urządzenia gospodarstwa domowego nie powinny być utylizowane w normalnym ciągu utylizacji stałych odpadów miejskich. Stare urządzenia powinny być zbierane oddzielnie, aby zoptymalizować stopień odzysku i recykulacji

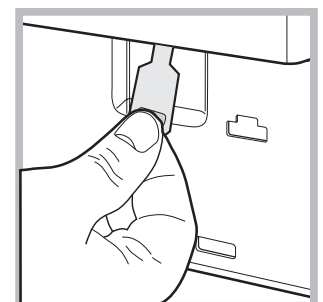
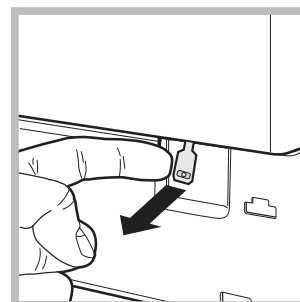
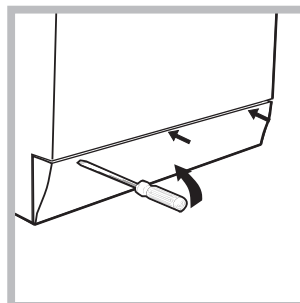
materiałów, z których są one zbudowane, oraz aby zapobiec potencjalnym szkodom dla zdrowia i środowiska. Symbol przekreślonego kosza jest umieszczony na wszystkich produktach w celu przypominania o obowiązku ich segregacji. Właściciele urządzeń gospodarstwa domowego mogą uzyskać dodatkowe informacje dotyczące ich prawidłowej utylizacji, zwracając się do odpowiednich służb publicznych lub do sprzedawców tych urządzeń.

## Ręczne otwieranie okrągłych drzwiczek

Jeśli z powodu przerwy w dostawie energii elektrycznej nie jest możliwe otwarcie okrągłych drzwiczek, w celu wyjęcia i rozwieszenia prania należy wykonać następujące czynności:



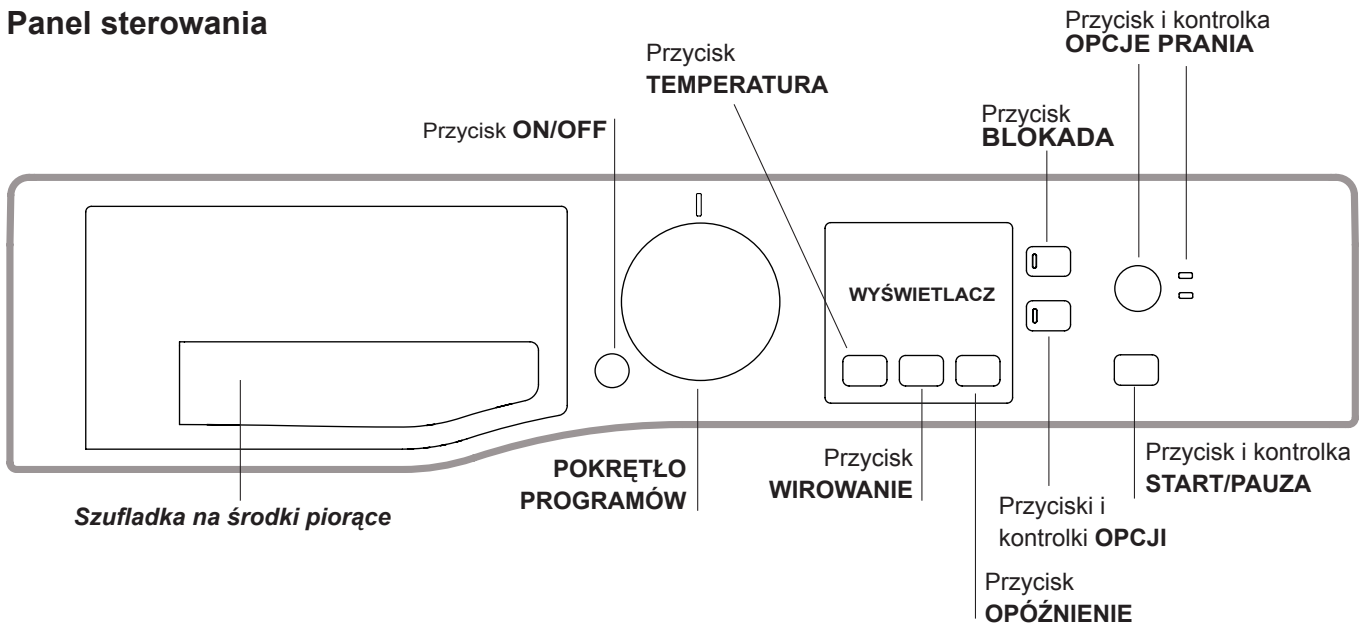
1. wyjąć wtyczkę z gniazdka elektrycznego.
2. sprawdzić, czy poziom wody wewnątrz maszyny znajduje się poniżej poziomu otwarcia drzwiczek; w przeciwnym wypadku usunąć nadmiar wody przez przewód odpływowy, zbierając ją do wiaderka w sposób wskazany na rysunku.
3. zdjąć panel pokrywy z przedniej strony pralki przy pomocy śrubokrętu (patrz rysunek).




4. pociągnąć na zewnątrz kłapkę wskazaną na rysunku, aż do wyzwolenia się z zacisku plastikowego zaczepu; następnie pociągnąć go w dół i równocześnie otworzyć drzwiczki.
5. ponownie założyć panel upewniwszy się, przed dociśnięciem go do maszyny, czy zatrzaski zostały umieszczone w odpowiednich otworach.

# Opis pralki

## Panel sterowania




**Szufladka na środki piorące:** do dozowania środków piorących i dodatków (patrz "Środki piorące i bielizna").


Przycisk **ON/OFF** : nacisnąć krótko przycisk w celu włączenia lub wyłączenia maszyny. Kontrolka **START/PAUZA**, która pulsuje powoli w kolorze zielonym wskazuje, że maszyna jest włączona. W celu wyłączenia pralki podczas prania konieczne jest dłuższe przytrzymanie naciśniętego przycisku, przez około 3 sek.; krótkie lub przypadkowe naciśnięcie nie wystarczy do wyłączenia maszyny. Wyłączenie maszyny podczas trwającego prania anuluje program prania.


**POKRĘTŁO PROGRAMÓW:** w celu ustawieniażądanego programu (patrz "Tabela programów").

Przyciski i kontrolki **OPCJI**: służą do wybierania dostępnych funkcji. Kontrolka wybranej opcji pozostanie włączona.


Przycisk z kontrolką **OPCJE PRANIA** : nacisnąć w celu wybraniażądanego stopnia intensywności prania.

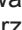
Przycisk **TEMPERATURA** : naciskać w celu zmniejszenia lub całkowitego wyłączenia temperatury; ustawiona wartość zostanie wskazana na wyświetlaczu.

Przycisk **WIROWANIE** : naciskać w celu zmniejszenia liczby obrotów lub całkowitego wyłączenia wirówki; ustawiona wartość zostanie wskazana na wyświetlaczu.

Przycisk **OPÓŹNIENIE** : naciskać w celu ustawienia opóźnionego startu wybranego programu; opóźnienie zostanie wskazane na wyświetlaczu.

Przycisk z kontrolką **START/PAUZA**: kiedy zielona kontrolka pulsuje powoli, nacisnąć przycisk w celu uruchomienia prania. Po uruchomieniu cyklu kontrolka świeci w sposób ciągły. W celu wybrania paazy w praniu należy nacisnąć ponownie przycisk, kontrolka zacznie pulsować w kolorze pomarańczowym. Jeśli symbol

 nie świeci się, można otworzyć drzwiczki. W celu ponownego uruchomienia prania od miejsca, w którym zostało przerwane, należy ponownie nacisnąć przycisk.

Przycisk **BŁOKADA**: w celu uruchomienia lub wyłączenia blokady panelu sterowania należy przytrzymać naciśnięty przycisk przez około 2 sekundy. Podświetlony kontrolką  wskazuje, że panel sterowania został zablokowany. W ten sposób uniemożliwia się dokonywanie przypadkowych zmian w programach (z wyjątkiem przycisk ON/OFF), zwłaszcza, jeśli w domu obecne są dzieci.

W celu wyłączenia blokady panelu sterowania należy przytrzymać naciśnięty przycisk przez około 2 sekundy.

### Funkcja stand by

Pralka ta, w myśl nowych norm europejskich związanych z oszczędnością elektryczną, posiada system auto wyłączenia (stand by), który włącza się po 30 minutach nie użytkowania. Ponownie lekko wcisnąć przycisk ON-OFF i poczekać, aż pralka ponownie włączy się.

### Uszczelka przeciwdrobnoustrojowa

Uszczelka drzwiczek jest wykonana ze specjalnej mieszanki, będącej w stanie zagwarantować ochronę przeciwdrobnoustrojową poprzez redukcję namnażania bakterii do 99,99%.

Uszczelka drzwiczek zawiera pirytionian cynku, będącego substancją biobójczą, która redukuje namnażanie szkodliwych drobnoustrojów (\*), takich jak bakterie i pleśń, mogących powodować powstawanie plam, nieprzyjemnych zapachów oraz uszkodzeń urządzenia.

(\* **Zgodnie z badaniami przeprowadzonymi przez Uniwersytet w Perugii na: Staphylococcus aureus, Escherichia coll, Pseudomonas aeruginosa, Candida albicans, Aspergillus niger, Penicillium digitatum.**

W rzadkich przypadkach przedłużający się kontakt z uszczelką może spowodować reakcję alergiczną skóry.



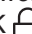
## Wyświetlacz



Wyświetlacz pomaga zaprogramować urządzenie i dostarcza wielu informacji.


Wyświetlony zostaje czas trwania dostępnych programów, a po uruchomieniu cyklu czas pozostały do jego zakończenia (na wyświetlaczu zostanie wyświetlony maksymalny czas trwania wybranego cyklu, który może ulec skróceniu po kilku minutach, ponieważ rzeczywisty czas trwania cyklu zależy od wsadu i wprowadzonych ustawień); natomiast jeśli została ustawiona funkcja OPÓŹNIENIE, wyświetla się czas pozostający do momentu rozpoczęcia wybranego programu. Ponadto, po naciśnięciu odpowiednich przycisków wyświetlają się maksymalne wartości szybkości wirowania i temperatury dla ustawionego programu lub ostatnie zaprogramowane wartości, jeśli są one odpowiednie dla wybranego programu.

#### Kontrolka **BLOKADY DRZWICZEK**

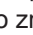

Jeśli symbol się świeci, oznacza to, że drzwiczki są zablokowane. Aby uniknąć uszkodzenia pralki, przed przystąpieniem do otwierania drzwiczek należy odczekać, aż symbol ten zgaśnie. Aby otworzyć drzwiczki w trakcie trwania cyklu, należy nacisnąć przycisk START/PAUZA; kiedy symbol BLOKADY DRZWICZEK  zgaśnie, można otworzyć drzwiczki.

# Jak wykonać cykl prania

PL

- 1. WŁĄCZENIE MASZINY.** Nacisnąć przycisk , kontrolka START/PAUZA zacznie powoli pulsować w kolorze zielonym.
- 2. ZAŁADOWAĆ BIELIZNĘ.** Otworzyć drzwiczki. Włożyć bieliznę, uważając, aby nie przekroczyć wielkości wsadu wskazanej w tabeli programów znajdującej się na następnej stronie.
- 3. WSYPAĆ ŚRODEK PIORĄCY.** Wysunąć szufladkę i umieścić środek piorący w odpowiednich komorach zgodnie ze wskazówkami zawartymi w rozdziale „Środki piorące i bielizna”.
- 4. ZAMKNAĆ DRZWICZKI.**
- 5. WYBRAĆ PROGRAM.** Przy pomocy pokrętki PROGRAMY wybrać żądany program; ma on wstępnie ustawioną temperaturę i prędkość wirowania, jednak wartości te można zmienić. Na wyświetlaczu pojawi się czas trwania cyklu.
- 6. SPERSONALIZOWAĆ CYKL PRANIA.** Naciskać odpowiednie przyciski:


#### Zmienić temperaturę i/lub prędkość wirowania.

Urządzenie automatycznie wyświetla maksymalne wartości temperatury i prędkości wirowania dla ustawionego programu lub ostatnie wybrane wartości, jeśli są one zgodne z ustawionym programem. Naciskając przycisk  stopniowo zmniejsza się temperaturę, aż do prania na zimno “OFF”. Naciskając przycisk  stopniowo zmniejsza się prędkość wirowania, aż do jego wyłączenia “OFF”. Dodatkowe naciśnięcie przycisków przywróci maksymalne dostępne wartości.


! Wyjątek: wybierając program 3 temperaturę można podnieść aż do 90°.


! Wyjątek: wybierając program 4 temperaturę można podnieść aż do 60°.

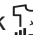
#### Ustawić start z opóźnieniem.

W celu ustawienia opóźnionego rozpoczęcia wybranego programu należy naciskać odpowiedni przycisk aż do osiągnięcia żadanego czasu opóźnienia. Kiedy ta opcja jest aktywna, na wyświetlaczu zaświeca się symbol . Aby anulować opóźnienie startu, należy naciskać przycisk do momentu pojawienia się na wyświetlaczu napisu “OFF”.

#### Ustawić żądany stopień intensywności prania.

Opcja  umożliwia optymalizację prania w zależności od stopnia zabrudzenia tkanin oraz żądanej intensywności prania.

W przypadku silnie zabrudzonej odzieży, należy nacisnąć przycisk  aż do przejścia do poziomu „Intensive”. Poziom ten gwarantuje wysokiej jakości pranie, dzięki użyciu większej ilości wody w początkowej fazie cyklu i intensywniejszym ruchom




mechanicznym służy do usuwania najoporniejszych plam. Może być używany **z wybielaczem i bez niego**. Jeśli chce się przeprowadzić wybielanie, należy włożyć dodatkową szufladkę **3**, znajdującą się w wyposażeniu. Nie przekraczać poziomu „max” wybielacza w płynie, podanej na środkowym wskaźniku (*zobacz rysunek na str. 22*). W przypadku lekko zabrudzonej odzieży lub w celu delikatnego obchodzenia się z tkaninami, należy nacisnąć przycisk  aż do przejścia do poziomu „Delicate”. Cykl zredukuje ruchy mechaniczne, aby zagwarantować doskonały efekt prania delikatnej odzieży.

#### Zmiana charakterystyki cyklu.

- Naciskać przycisk w celu włączenia opcji; zaświeci się kontrolka odpowiadająca przyciskowi.
- Ponownie nacisnąć przycisk w celu wyłączenia opcji; kontrolka zgaśnie.

! Jeśli wybrana opcja jest niezgodna z ustawionym programem, kontrolka będzie pulsować i opcja nie zostanie włączona.

! W zależności od opcji może się zmieniać zalecana objętość wsadu i/lub czas trwania cyklu.

- 7. URUCHOMIĆ PROGRAM.** Nacisnąć przycisk START/PAUZA. Odpowiednia kontrolka zaświeci się kolorem zielonym i drzwiczki zostaną zablokowane (włączy się symbol BLOKADY DRZWICZEK ). W celu zmiany programu w czasie trwania cyklu należy ustawić pralkę w trybie pauzy, naciskając przycisk START/PAUZA (kontrolka START/PAUZA zacznie powoli pulsować bursztynowym światłem); następnie wybrać żądany cykl i ponownie nacisnąć przycisk START/PAUZA. W celu otwarcia drzwiczek w trakcie trwania cyklu należy nacisnąć przycisk START/PAUZA; kiedy symbol BLOKADY DRZWICZEK  zgaśnie, można otworzyć drzwiczki. Nacisnąć ponownie przycisk START/PAUZA, aby uruchomić program od momentu, w którym został on przerwany.
- 8. KONIEC PROGRAMU.** Wskazywany jest przez napis “END” na wyświetlaczu, kiedy symbol BLOKADY DRZWICZEK  zgaśnie, można otworzyć drzwiczki. Otworzyć drzwiczki, wyjąć bieliznę i wyłączyć urządzenie.



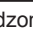


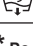
! Aby anulować już rozpoczęty cykl, należy długo przytrzymać wciśnięty przycisk . Cykl zostanie przerwany i urządzenie wyłączy się.



Tabela programów

Programy	Opis programu	Temp. maks. (°C)	Prędkość maks. (obroty na minutę)	Środki piorące i dodatki			Wsad maks. (kg)	Włógotność resztkowa%	Zużycie energii kWh	Woda łącznie lit	Czas trwania cyklu
				Pranie	Środek zmiękczający	Wybielacz					
<b>CODZIENNE</b>											
1	Odplamianie	40°	1000	●	●	-	4	-	-	-	**
2	Szybkie Odplamianie	40°	1000	●	●	-	3,5	-	-	-	**
3	Bawełna: tkaniny białe lekko zabrudzone i delikatne kolorowe.	40° (Max. 90°C)	1000	●	●	●	6	-	-	-	**
4	Syntetyczne (3): tkaniny kolorowe, wytrzymałe, lekko zabrudzone.	40° (Max. 60°C)	1000	●	●	●	3,5	44	0,47	46	95'
5	Szybki: w celu szybkiego odświeżenia lekko zabrudzonych tkanin (niewskazany dla wełny, jedwabiu i tkanin przeznaczonych do prania ręcznego).	30°	800	●	●	-	3	71	0,16	39	30'
<b>SPECJALNE</b>											
6	Ciemne Tkaniny	30°	800	●	●	-	4	-	-	-	**
7	Ultradelikatny	30°	0	●	●	-	1	-	-	-	**
8	Wełna: do wełny, kaszmiru, itp.	40°	800	●	●	-	1,5	-	-	-	**
9	Bawełna Eco 60°C  (1): tkaniny białe i kolorowe, wytrzymałe, mocno zabrudzone.	60°	1000	●	●	-	6	62	0,80	50	200'
9	Bawełna Eco 40°C  (2): tkaniny białe lekko zabrudzone i delikatne kolorowe.	40°	1000	●	●	-	6	62	0,65	65	170'
10	Bawełna 20°C: tkaniny białe lekko zabrudzone i delikatne kolorowe.	20°	1000	●	●	●	6	-	-	-	**
<b>DODATKOWE</b>											
11	Dziecięcy	40°	1000	●	●	●	4	-	-	-	**
12	Antyalergiczny	60°	1000	●	●	●	4	-	-	-	**
13	Jedwab i Firanki: do jedwabiu, wiskozy, bielizny.	30°	0	●	●	-	1	-	-	-	**
14	Puch	30°	1000	●	●	-	1	-	-	-	**
<b>Częściowe</b>											
	Płukanie	-	1000	-	●	-	6	-	-	-	**
	Wirowanie + Odprowadzanie Wody	-	1000	-	-	-	6	-	-	-	**
	Tylko Odprowadzanie wody *	-	OFF	-	-	-	6	-	-	-	**

\* Po wybraniu programu  i wyłączeniu wirowania maszyna wykona jedynie opróżnienie z wody.

\*\* Możliwa jest kontrola czasu trwania programów prania na wyświetlaczu..

Czas trwania cyklu wskazany na wyświetlaczu lub w instrukcji jest czasem oszacowanym dla standardowych warunków. Rzeczywisty czas trwania cyklu może się zmieniać w zależności od wielu czynników, takich jak temperatura i ciśnienie wody na wlocie, temperatura otoczenia, ilość detergentu, ilość i rodzaj pranej odzieży, wyważenie ładunku, wybrane opcje dodatkowe.

1) Program sterowania zgodny z regulamin 1061/2010: ustawić program 9 z temperaturą 60°C.

Ten cykl jest odpowiedni do prania średnio zabrudzonej odzieży bawełnianej i jest najbardziej wydajnym cyklem pod względem łącznego zużycia energii elektrycznej i wody; należy go używać do odzieży przeznaczonej do prania w 60°C. Rzeczywista temperatura prania może się różnić od podanej.

2) Program sterowania zgodny z regulamin 1061/2010: ustawić program 9 z temperaturą 40°C.

Ten cykl jest odpowiedni do prania średnio zabrudzonej odzieży bawełnianej i jest najbardziej wydajnym cyklem pod względem łącznego zużycia energii elektrycznej i wody; należy go używać do odzieży przeznaczonej do prania w 40°C. Rzeczywista temperatura prania może się różnić od podanej.

Dla wszystkich Test Institutes:

2) Program bawełna, długi: ustawić program 9 na temperaturę 40°C.

3) Program tkaniny syntetyczne długi: ustawić program 4 z temperaturą 40°C.

## Opcje prania

! Jeśli wybrana opcja jest niezgodna z ustawionym programem, kontrolka będzie pulsować i opcja nie zostanie włączona.

### Extra Płukanie

Wybierając tę opcję zwiększa się skuteczność płukania i zapewnia się maksymalne usunięcie środka piorącego. Opcja ta jest przydatna dla osób o szczególnie wrażliwej skórze.

# Środki piorące i bielizna

PL

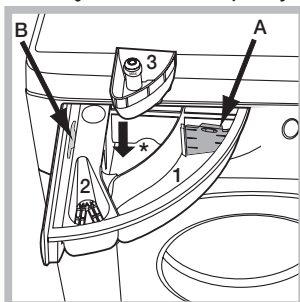
## Szufladka na środki piorące

Dobry rezultat prania zależy również od prawidłowego dozowania środka piorącego: użycie jego nadmiernej ilości nie poprawia skuteczności prania, lecz przyczynia się do powstawania nalotów na wewnętrznych częściach pralki i do zanieczyszczania środowiska.

! piorące w proszku należy stosować do tkanin z białej bawełny i do prania wstępnego oraz do prania w temperaturze przekraczającej 60°C. Środki

! Należy stosować się do zaleceń podanych na opakowaniu środka piorącego.

! Nie stosować środków do prania ręcznego, ponieważ tworzą one za dużo piany.



Wysunąć szufladkę i umieścić w niej środek piorący lub dodatkowy w następujący sposób.

! Nie wylewać detergentu do przegródki środkowej (\*).

**Przegródka 1: Środek piorący do prania zasadniczego (w proszku lub w płynie)**

W przypadku stosowania środka piorącego w płynie, zaleca się użycie ścianki A dostarczonej na wyposażeniu, która ułatwia prawidłowe dozowanie. W celu użycia środka piorącego w proszku, należy wsunąć ściankę w zgłębienie B.

**Przegródka 2: Środki dodatkowe (zmiękczające, itp.)**  
Środek zmiękczający nie powinien wpływać poza kratkę.

**Dodatkowy pojemnik 3: Wybielacz**

## Przygotowanie bielizny

- Podzielić bieliznę do prania według:
  - rodzaju tkaniny / symbolu na etykiecie.
  - kolorów: oddzielić tkaniny kolorowe od białych.
- Opróżnić kieszenie i sprawdzić guziki.
- Nie przekraczać wskazanego ciężaru suchej bielizny: patrz "Tabela programów".

### Ile waży bielizna?

- 1 prześcieradło 400-500 gr.
- 1 poszewka 150-200 gr.
- 1 obrus 400-500 gr.
- 1 szlafrok 900-1.200 gr.
- 1 ręcznik 150-250 gr.

## Programy specjalne

**Odblamiwanie:** program 1 odpowiedni do prania silnie zabrudzonej odzieży o trwałych kolorach. Program gwarantuje klasę prania wyższą od standardowej (klasa A). Nie używać programu, gdy miesza się odzież w różnych kolorach. Zalecamy stosowanie środka piorącego w proszku. W przypadku szczególnie opornych plam, zalecamy wcześniej zastosowanie specjalnych dodatków.

**Szybkie Odblamiwanie:** program został opracowany do prania w jedną godzinę bielizny zabrudzonej codziennymi plamami, nawet najbardziej uporczywymi. Odpowiedni do tkanin kolorowych z włókien mieszanych, gwarantuje ich maksymalną ochronę.

**Ciemne Tkaniny:** cyklu 6 należy używać do prania ciemnej odzieży. Program został opracowany w celu ochrony ciemnych kolorów przed blaknięciem. Dla osiągnięcia najlepszych efektów, zalecamy stosowanie środka piorącego w płynie, najlepiej przeznaczonego do prania ciemnej odzieży.

**Ultradelikatny:** używać programu 7 do prania bardzo delikatnej odzieży, ozdobionej cekinami lub koralikami. Zalecamy wywrócenie ubrań na lewą stronę i włożenie małych części odzieży do woreczka przeznaczonego specjalnie do prania delikatnych ubrań. Dla osiągnięcia najlepszych efektów, zalecamy stosowanie środka piorącego w płynie do tkanin delikatnych.

**Włna - Woolmark Apparel Care - Green:**

cykl prania „Włna” niniejszej pralki został zatwierdzony przez Woolmark Company jako odpowiedni do prania odzieży wełnianej i przeznaczonej do prania ręcznego, pod warunkiem, że pranie jest przeprowadzane zgodnie z instrukcjami podanymi na etykiecie ubrania oraz ze wskazówkami dostarczonymi przez producenta pralki. (M1128)



**Bawełna 20°C:** idealny do zabrudzonej bielizny bawełnianej. Dobre wyniki prania w zimnej wodzie, porównywalne z praniem w 40°, są gwarantowane dzięki działaniu mechanicznemu, wykonywanemu ze zmienną prędkością, której maksymalne wartości powtarzają się w krótkich odstępach czasu.

**Dziecięcy:** program 11 ten umożliwia usunięcie z odzieży zabrudzeń typowych dla dzieci, zapewniając przy tym całkowite wypłukanie środka piorącego z tkanin, aby uniknąć reakcji alergicznych, jakie mógłby on wywołać na delikatnej skórze dziecka. Cykl ten został opracowany w celu ograniczenia liczby bakterii poprzez wykorzystanie większej ilości wody i optymalizację działania specjalnych dodatków higienizujących, którymi uzupełniany jest środek piorący.

**Antyalergiczny:** programu 12 należy używać do usuwania głównych alergenów, takich jak pyłki, roztocza, sierść kotów i psów.

**Jedwab:** stosować odpowiedni program 13 do prania wszelkiego rodzaju wyrobów z jedwabiu. Zaleca się stosowanie specjalnego środka piorącego do tkanin delikatnych.

**Firanki:** włożyć je złożone do poszewki lub do siatkowatego worka. Stosować program 13.

**Puch:** aby wyprać produkty pikowane z puchem gęsim takie kurtki czy poduszki (nie ważące więcej niż 1 kg), należy zastosować właściwy program 14.

## System równoważenia wsadu

Przed każdym wirowaniem, aby uniknąć nadmiernych drgań oraz jednorodnie rozłożyć wsad, bęben wykonuje obroty z prędkością nieco większą niż podczas prania. Jeśli po kilku próbach wsad nie zostanie prawidłowo zrównoważony, urządzenie wykona wirowanie z prędkością mniejszą od przewidywanej. W przypadku wystąpienia nadmiernego niezrównoważenia wsadu pralka dokona jego rozłożenia zamiast odwirowania. Aby zapewnić lepsze rozłożenie wsadu oraz jego właściwe zrównoważenie zaleca się mieszanie dużych i małych sztuk bielizny.

# Nieprawidłowości w działaniu Hotpoint i sposoby ich usuwania

ARISTON

PL

Może się zdarzyć, że pralka nie działa. Przed wezwaniem Serwisu Technicznego (*patrz „Serwis Techniczny”*) należy sprawdzić, czy problemu nie da się łatwo rozwiązać korzystając z poniższego wykazu.

## Nieprawidłowości w działaniu: Możliwe przyczyny / Rozwiązania:

### Pralka nie włącza się.

- Wtyczka nie jest włączona do gniazdka lub jest wsunięta za słabo, w taki sposób, że nie ma styku.
- W domu nie ma prądu.

### Cykl prania nie rozpoczyna się.

- Drzwiczki nie są dokładnie zamknięte.
- Nie został wciśnięty przycisk ON/OFF.
- Nie został wciśnięty przycisk START/PAUZA.
- Kurek dopływu wody jest zamknięty.
- Zostało ustawione opóźnienie godziny rozpoczęcia prania.

### Pralka nie pobiera wody (Na wyświetlaczu pulsuje napis H2O).

- Przewód doprowadzający wodę nie jest podłączony do zaworu.
- Przewód jest pozaginany.
- Kurek dopływu wody jest zamknięty.
- W domu nastąpiła przerwa w dostawie wody.
- Ciśnienie wody nie jest wystarczające.
- Nie został wciśnięty przycisk START/PAUZA.

### Pralka cały czas pobiera i odprowadza wodę.

- Przewód odpływowy nie został zainstalowany na wysokości między 65 a 100 cm od podłogi (*patrz „Instalacja”*).
- Końcówka przewodu odpływowego jest zanurzona w wodzie (*patrz „Instalacja”*).
- Otwór odpływowy w ścianie nie posiada odpowietrznika.

Jeśli po sprawdzeniu tych możliwości problem nie zostanie rozwiązany, należy zamknąć kurek dopływu wody, wyłączyć pralkę i wezwać Serwis Techniczny. Jeśli mieszkanie znajduje się na najwyższych piętrach budynku, może wystąpić efekt syfonu, w wyniku którego pralka cały czas pobiera i odprowadza wodę. W celu wyeliminowania tej niedogodności należy zakupić specjalny zawór, zapobiegający powstawaniu efektu syfonu.

### Pralka nie odprowadza wody i nie odwirowuje prania.

- Program nie przewiduje odprowadzania wody: w przypadku niektórych programów należy uruchomić je ręcznie.
- Przewód odpływowy jest pozaginany (*patrz „Instalacja”*).
- Instalacja ściekowa jest zatkana.

### Pralka mocno wibruje w fazie wirowania.

- Podczas instalacji pralki bęben nie został prawidłowo odblokowany (*patrz „Instalacja”*).
- Pralka nie jest właściwie wypoziomowana (*patrz „Instalacja”*).
- Pralka, zainstalowana pomiędzy meblami a ścianą, ma za mało miejsca (*patrz „Instalacja”*).

### Z pralki wycieka woda.

- Przewód doprowadzający wodę nie jest dobrze przykręcony (*patrz „Instalacja”*).
- Szufładka na środki piorące jest zatkana (w celu jej oczyszczenia *patrz „Utrzymanie i konserwacja”*).
- Przewód odpływowy nie jest dobrze zamocowany (*patrz „Instalacja”*).

### Kontrolki “Opcje” oraz START/PAUZA szybko pulsują, a na wyświetlaczu pojawia się kod nieprawidłowości (np.: F-01, F-..).

- Wyłączyć urządzenie i wyjąć wtyczkę z gniazdka, odczekać około 1 minuty, następnie włączyć je ponownie. Jeśli problem nie ustępuje, należy wezwać Serwis Techniczny.

### Tworzy się zbyt duża ilość piany.

- Środek piorący nie jest odpowiedni do pralek automatycznych (na opakowaniu musi być napisane: “do pralek”, “do prania ręcznego i w pralce” itp.).
- Użyto za dużo środka piorącego.

# Serwis Techniczny

PL

## Przed skontaktowaniem się z Serwisem Technicznym:

- Sprawdzić, czy problemu nie można rozwiązać samodzielnie (patrz "Nieprawidłowości w działaniu i sposoby ich usuwania");
- Ponownie uruchomić program i sprawdzić, czy problem nie zniknął;
- W przeciwnym wypadku skontaktować się z Serwisem Technicznym.

! Nigdy nie wzywać nieautoryzowanych techników.

## Należy podać:

- rodzaj nieprawidłowości;
- model urządzenia (Mod.);
- numer seryjny (S/N).

Informacje te znajdują się na tabliczce umieszczonej w tylnej części pralki oraz widocznej z przodu po otwarciu drzwiczek.

ROZPORZĄDZENIE DELEGOWANE KOMISJI (UE) NR 1061/2010	
Nazwa dostawcy	HOTPOINT/ARISTON
Nazwa modelu	RSSF 603 EU
Pojemność znamionowa w kg	6
Klasa efektywności energetycznej w skali od A+++ (niskie zużycie) do G (wysokie zużycie)	A+++
Roczne zużycie energii w kWh rocznie <sup>1)</sup>	152
Zużycie energii w przypadku standardowego programu prania tkanin bawełnianych w 60 °C przy pełnym załadunku <sup>2)</sup>	0.803
Zużycie energii w przypadku standardowego programu prania tkanin bawełnianych w 60 °C przy częściowym załadunku <sup>2)</sup>	0.583
Zużycie energii w przypadku standardowego programu prania tkanin bawełnianych w 40 °C przy częściowym załadunku <sup>2)</sup>	0.545
Zużycie energii w trybie wyłączenia	0.5
Zużycie energii w trybie czuwania	8
Roczne zużycie wody w litrach <sup>3)</sup>	8400
Klasa efektywności wirowania w skali od A (najwyższa efektywność) do G (najniższa efektywność)	C
Maksymalna szybkość wirowania <sup>4)</sup>	1000
Uzyskana wilgotność <sup>5)</sup>	62,0%
Czas w min standardowego programu prania tkanin bawełnianych w 60 °C przy pełnym załadunku.	200
Czas w min standardowego programu prania tkanin bawełnianych w 60 °C przy częściowym załadunku.	150
Czas w min standardowego programu prania tkanin bawełnianych w 40 °C przy częściowym załadunku.	145
Czas trwania trybu czuwania	30
Poziom emitowanego hałasu podczas prania w dB(A) <sup>6)</sup>	62
Poziom emitowanego hałasu podczas wirowania w dB(A) <sup>6)</sup>	79
Model przeznaczony do zabudowy	

<sup>1)</sup> Standardowy program prania tkanin bawełnianych w 60 °C i „standardowy program prania tkanin bawełnianych w 40 °C” stanowią standardowe programy prania, do których odnoszą się informacje na etykiecie i w karcie, że są one odpowiednie do prania tkanin bawełnianych normalnie zabrudzonych oraz że są najbardziej efektywnymi programami pod względem łącznego zużycia energii i wody. Częściowy załadunek jest połową pełnego załadunku znamionowego.

<sup>2)</sup> Na podstawie 220 standardowych cykli prania w przypadku programów prania tkanin bawełnianych w 60 °C i 40 °C przy pełnym i częściowym załadunku oraz zużycie w trybach niskiego zużycia energii. Rzeczywiste zużycie energii zależy od sposobu użytkowania urządzenia.

<sup>3)</sup> Na podstawie 220 standardowych cykli prania w przypadku programów prania tkanin bawełnianych w 60 °C i 40 °C przy pełnym i częściowym załadunku. Rzeczywiste zużycie wody zależy od sposobu użytkowania urządzenia.

<sup>4)</sup> W przypadku standardowego programu prania tkanin bawełnianych w 60 °C przy pełnym załadunku oraz standardowego programu prania tkanin bawełnianych w 40 °C przy częściowym załadunku, w zależności od tego, która z tych wartości jest niższa,

<sup>5)</sup> W przypadku standardowego programu prania tkanin bawełnianych w 60 °C przy pełnym załadunku lub standardowego programu prania tkanin bawełnianych w 40 °C przy częściowym załadunku, w zależności od tego, która z tych wartości jest wyższa;

<sup>6)</sup> Na podstawie hałasu powstającego podczas faz prania i wirowania, w przypadku standardowego programu prania tkanin bawełnianych w 60 °C.

IT

Italiano

RSSF 603

### Sommario

#### **Installazione, 26-27**

Disimballo e livellamento  
Collegamenti idraulici ed elettrici  
Primo ciclo di lavaggio  
Dati tecnici

#### **Manutenzione e cura, 28**

Escludere acqua e corrente elettrica  
Pulire la lavabiancheria  
Pulire il cassetto dei detersivi  
Curare oblò e cestello  
Pulire la pompa  
Controllare il tubo di alimentazione dell'acqua

#### **Precauzioni e consigli, 29**

Sicurezza generale  
Smaltimento  
Apertura manuale della porta oblò

#### **Descrizione della lavabiancheria, 30-31**

Pannello di controllo  
Display

#### **Come effettuare un ciclo di lavaggio, 32**

#### **Programmi e opzioni, 33**

Tabella dei programmi  
Opzioni di lavaggio

#### **Detersivi e biancheria, 34**

Cassetto dei detersivi  
Preparare la biancheria  
Programmi particolari  
Sistema bilanciamento del carico

#### **Anomalie e rimedi, 35**

#### **Assistenza, 36**

Assistenza Attiva 7 giorni su 7



# Installazione

IT

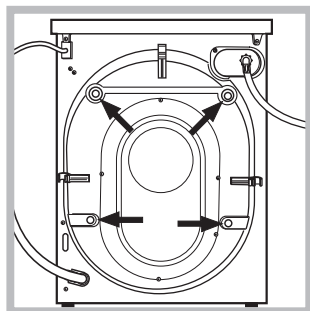
! È importante conservare questo libretto per poterlo consultare in ogni momento. In caso di vendita, di cessione o di trasloco, assicurarsi che resti insieme alla lavabiancheria per informare il nuovo proprietario sul funzionamento e sui relativi avvertimenti.

! Leggere attentamente le istruzioni: ci sono importanti informazioni sull'installazione, sull'uso e sulla sicurezza.

## Disimballo e livellamento

### Disimballo

1. Disimballare la lavabiancheria.
2. Controllare che la lavabiancheria non abbia subito danni nel trasporto. Se fosse danneggiata non collegarla e contattare il rivenditore.



3. Rimuovere le 4 viti di protezione per il trasporto e il gommino con il relativo distanziale, posti nella parte posteriore (vedi figura).

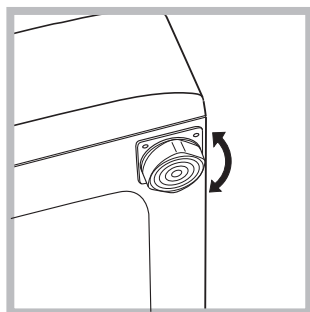
4. Chiudere i fori con i tappi di plastica in dotazione.

5. Conservare tutti i pezzi: qualora la lavabiancheria debba essere trasportata, dovranno essere rimontati.

! Gli imballaggi non sono giocattoli per bambini.

### Livellamento

1. Installare la lavabiancheria su un pavimento piano e rigido, senza appoggiarla a muri, mobili o altro.

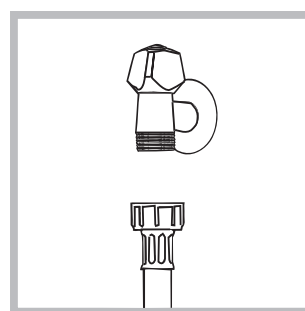


2. Se il pavimento non fosse perfettamente orizzontale, compensare le irregolarità svitando o avvitando i piedini anteriori (vedi figura); l'angolo di inclinazione, misurato sul piano di lavoro, non deve superare i 2°.

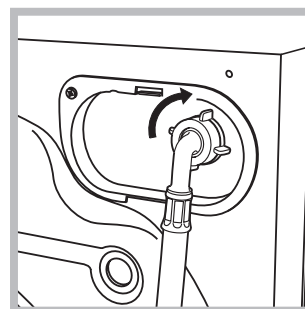
Un accurato livellamento dà stabilità alla macchina ed evita vibrazioni, rumori e spostamenti durante il funzionamento. In caso di moquette o di un tappeto, regolare i piedini in modo da conservare sotto la lavabiancheria uno spazio sufficiente per la ventilazione.

## Collegamenti idraulici ed elettrici

### Collegamento del tubo di alimentazione dell'acqua



1. Collegare il tubo di alimentazione avvitandolo a un rubinetto d'acqua fredda con bocca filettata da 3/4 gas (vedi figura). Prima di allacciare, far scorrere l'acqua finché non sia limpida.



2. Collegare il tubo di alimentazione alla lavabiancheria avvitandolo all'apposita presa d'acqua, nella parte posteriore in alto a destra (vedi figura).

3. Fare attenzione che nel tubo non ci siano né pieghe né strozzature.

! La pressione idrica del rubinetto deve essere compresa nei valori della tabella Dati tecnici (vedi pagina a fianco).

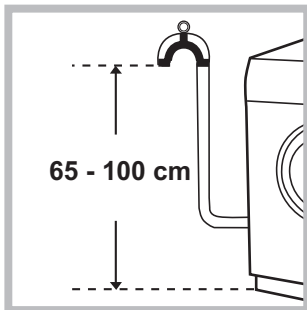
! Se la lunghezza del tubo di alimentazione non fosse sufficiente, rivolgersi a un negozio specializzato o a un tecnico autorizzato.

! Non utilizzare mai tubi già usati.

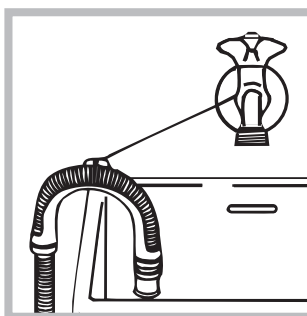
! Utilizzare quelli in dotazione alla macchina.



## Collegamento del tubo di scarico



Collegare il tubo di scarico, senza piegarlo, a una condotta di scarico o a uno scarico a muro posti tra 65 e 100 cm da terra.



In alternativa, appoggiare il tubo di scarico al bordo di un lavandino o di una vasca, legando la guida (acquistabile presso il servizio assistenza) al rubinetto (vedi figura). L'estremità libera del tubo di

scarico non deve rimanere immersa nell'acqua.

! È sconsigliato usare tubi di prolunga; se indispensabile, la prolunga deve avere lo stesso diametro del tubo originale e non superare i 150 cm.

## Collegamento elettrico

Prima di inserire la spina nella presa della corrente, accertarsi che:

- la presa abbia la messa a terra e sia a norma di legge;
- la presa sia in grado di sopportare il carico massimo di potenza della macchina, indicato nella tabella Dati tecnici (vedi a fianco);
- la tensione di alimentazione sia compresa nei valori indicati nella tabella Dati tecnici (vedi a fianco);
- la presa sia compatibile con la spina della lavabiancheria. In caso contrario sostituire la presa o la spina.

! La lavabiancheria non va installata all'aperto, nemmeno se lo spazio è riparato, perché è molto pericoloso lasciarla esposta a pioggia e temporali.

! A lavabiancheria installata, la presa della corrente deve essere facilmente raggiungibile.

! Non usare prolunghe e multiple.


! Il cavo non deve subire piegature o compressioni.

! Il cavo di alimentazione deve essere sostituito solo da tecnici autorizzati.

Attenzione! L'azienda declina ogni responsabilità qualora queste norme non vengano rispettate.

## Primo ciclo di lavaggio

Dopo l'installazione, prima dell'uso, effettuare un ciclo di lavaggio con detersivo e senza biancheria impostando il programma auto pulizia (vedi "Pulire la lavabiancheria").

Dati tecnici	
<b>Modello</b>	RSSF 603
<b>Dimensioni</b>	larghezza cm 59,5 altezza cm 85 profondità cm 42,5
<b>Capacità</b>	da 1 a 6 kg
<b>Collegamenti elettrici</b>	vedi la targhetta caratteristiche tecniche applicata sulla macchina
<b>Collegamenti idrici</b>	pressione massima 1 MPa (10 bar) pressione minima 0,05 MPa (0,5 bar) capacità del cesto 40 litri
<b>Velocità di centrifuga</b>	sino a 1000 giri al minuto
<b>Programmi di controllo secondo i regolamenti 1061/2010 1015/2010</b>	programma 9; Eco Cotone 60°C; programma 9; Eco Cotone 40°C.
 	Questa apparecchiatura è conforme alle seguenti Direttive Comunitarie: - EMC - 2014/30/EU (Compatibilità Elettromagnetica) - 2012/19/EU (WEEE) - LVD - 2014/35/EU (Bassa Tensione)

# Manutenzione e cura

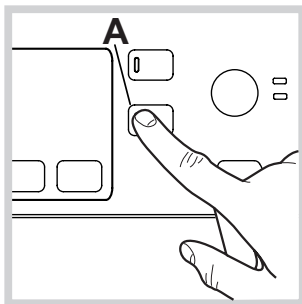
IT

## Escludere acqua e corrente elettrica

- Chiudere il rubinetto dell'acqua dopo ogni lavaggio. Si limita così l'usura dell'impianto idraulico della lavabiancheria e si elimina il pericolo di perdite.
- Staccare la spina della corrente quando si pulisce la lavabiancheria e durante i lavori di manutenzione.

## Pulire la lavabiancheria

- La parte esterna e le parti in gomma possono essere pulite con un panno imbevuto di acqua tiepida e sapone. Non usare solventi o abrasivi.
- La lavabiancheria è dotata di un programma di auto pulizia delle parti interne che deve essere effettuato **senza alcun tipo di carico nel cesto**.



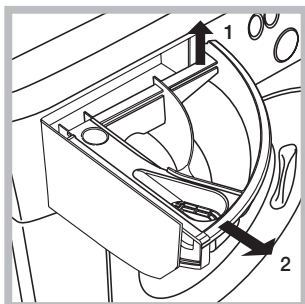
Il detersivo (nella quantità pari al 10% di quella consigliata per capi poco sporchi) o additivi specifici per la pulizia della lavabiancheria, potranno essere utilizzati come coadiuvanti nel programma di lavaggio. Si consiglia di

effettuare il programma di pulizia ogni 40 cicli di lavaggio.

Per attivare il programma premere il tasto **A** per 5 sec. (vedi figura).

Il programma partirà automaticamente ed avrà una durata di circa 70 minuti. Per fermare il ciclo premere il tasto START/PAUSE.

## Pulire il cassetto dei detersivi



Sfilare il cassetto sollevandolo e tirandolo verso l'esterno (vedi figura).

Lavarlo sotto l'acqua corrente; questa pulizia va effettuata frequentemente.

## Curare oblò e cestello

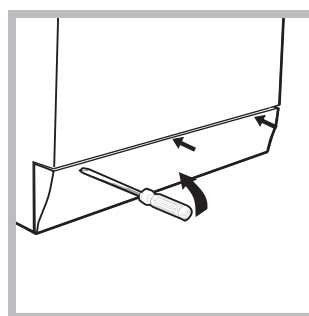
- Lasciare sempre socchiuso l'oblò per evitare che si formino cattivi odori.

## Pulire la pompa

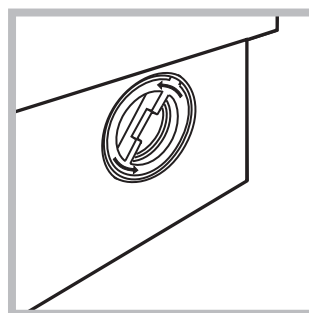
La macchina è dotata di una pompa autopulente che non ha bisogno di manutenzione. Può però succedere che piccoli oggetti (monete, bottoni) cadano nella precamera che protegge la pompa, situata nella parte inferiore di essa.

**!** Assicurarsi che il ciclo di lavaggio sia terminato e staccare la spina.

Per accedere alla precamera:



1. rimuovere il pannello di copertura sul lato anteriore della lavasciuga con l'ausilio di un giravite (vedi figura);



2. svitare il coperchio ruotandolo in senso antiorario (vedi figura): è normale che fuoriesca un po' d'acqua;

3. pulire accuratamente l'interno;
4. riavvitare il coperchio;
5. rimontare il pannello assicurandosi, prima di spingerlo verso la macchina, di aver inserito i ganci nelle apposite asole.

## Controllare il tubo di alimentazione dell'acqua

Controllare il tubo di alimentazione almeno una volta all'anno. Se presenta screpolature e fessure va sostituito: durante i lavaggi le forti pressioni potrebbero provocare improvvise spaccature.

**!** Non utilizzare mai tubi già usati.

! La lavabiancheria è stata progettata e costruita in conformità alle norme internazionali di sicurezza. Queste avvertenze sono fornite per ragioni di sicurezza e devono essere lette attentamente.

## Sicurezza generale

- Questo apparecchio è stato concepito esclusivamente per un uso di tipo domestico.
- Questo apparecchio può essere usato da bambini da 8 anni in su e da persone con capacità fisiche, sensoriali o mentali ridotte o con esperienza e conoscenze insufficienti se sono supervisionati o se hanno ricevuto adeguata formazione in merito all'uso dell'apparecchio in modo sicuro e capendo i pericoli connessi. I bambini non devono giocare con l'apparecchio. Manutenzione e pulizia non devono essere effettuati dai bambini senza supervisione.
- Non toccare la macchina a piedi nudi o con le mani o i piedi bagnati o umidi.
- Non staccare la spina dalla presa della corrente tirando il cavo, bensì afferrando la spina.
- Non aprire il cassetto dei detersivi mentre la macchina è in funzione.
- Non toccare l'acqua di scarico, che può raggiungere temperature elevate.
- Non forzare in nessun caso l'oblò: potrebbe danneggiarsi il meccanismo di sicurezza che protegge da aperture accidentali.
- In caso di guasto, in nessun caso accedere ai meccanismi interni per tentare una riparazione.
- Controllare sempre che i bambini non si avvicinino alla macchina in funzione.
- Durante il lavaggio l'oblò tende a scaldarsi.
- Se dev'essere spostata, lavorare in due o tre persone con la massima attenzione. Mai da soli perché la macchina è molto pesante.
- Prima di introdurre la biancheria controlla che il cestello sia vuoto.

## Smaltimento

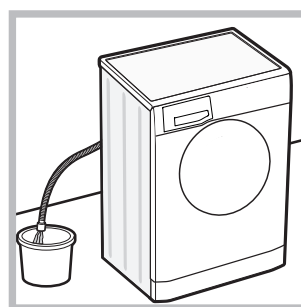
- Smaltimento del materiale di imballaggio: attenersi alle norme locali, così gli imballaggi potranno essere riutilizzati.
- La direttiva Europea 2012/19/EU (WEEE) sui rifiuti di apparecchiature elettriche ed elettroniche (RAEE), prevede che gli elettrodomestici non debbano essere smaltiti nel normale flusso dei rifiuti solidi urbani. Gli apparecchi dismessi devono essere raccolti separatamente per ottimizzare il tasso di recupero e riciclaggio dei materiali che li compongono ed impedire potenziali danni per la salute e l'ambiente.

Il simbolo del cestino barrato è riportato su tutti i prodotti per ricordare gli obblighi di raccolta separata. Quando si acquista una nuova apparecchiatura equivalente si può consegnare il RAEE al negoziante, che è tenuto a ritirarlo gratuitamente; i RAEE di "piccolissime dimensioni" (nessun lato sopra i 25 cm) possono essere consegnati gratuitamente ai negozianti anche se non si acquista nulla (solo nei negozi con superficie di vendita superiore a 400 mq).

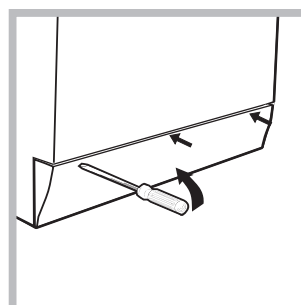
Per ulteriori informazioni, sulla corretta dismissione degli elettrodomestici, i detentori potranno rivolgersi al servizio pubblico preposto o ai rivenditori.

## Apertura manuale della porta oblò

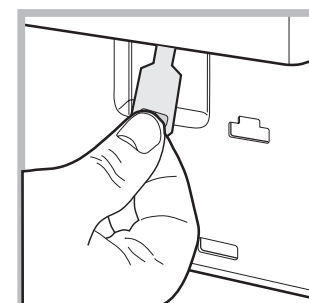
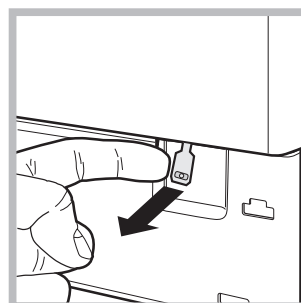
Nel caso non sia possibile aprire la porta oblò a causa della mancanza di energia elettrica e volete stendere il bucato, procedere come segue:



1. togliere la spina dalla presa di corrente.
2. verificare che il livello dell'acqua all'interno della macchina sia inferiore rispetto all'apertura dell'oblò; in caso contrario togliere l'acqua in eccedenza attraverso il tubo di scarico raccogliendola in un secchio come indicato in figura.



3. rimuovere il pannello di copertura sul lato anteriore della lavabiancheria con l'ausilio di un giravite (vedi figura).



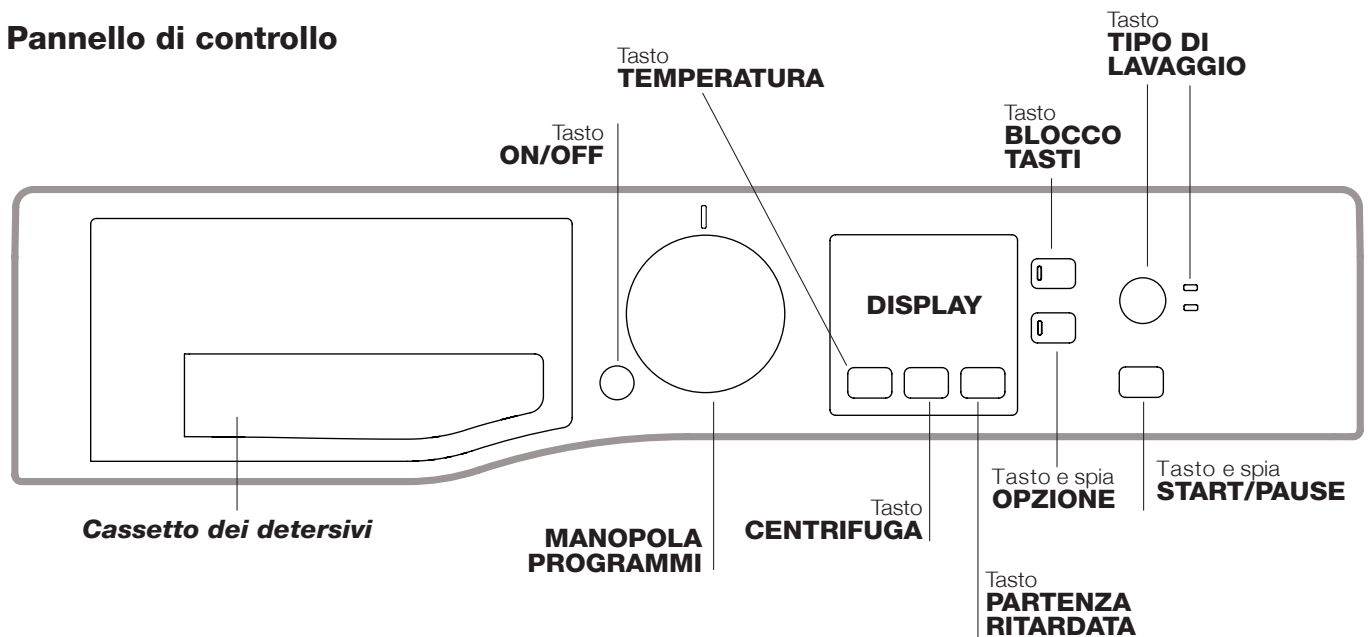
4. utilizzando la linguetta indicata in figura tirare verso l'esterno fino a liberare il tirante in plastica dal fermo; tirarlo successivamente verso il basso e contemporaneamente aprire la porta.

5. rimontare il pannello assicurandosi, prima di spingerlo verso la macchina, di aver inserito i ganci nelle apposite asole.


# Descrizione della lavabiancheria

IT

## Pannello di controllo



**Cassetto dei detersivi:** per caricare detersivi e additivi (vedi "Detersivi e biancheria").

Tasto **ON/OFF** : premere brevemente il tasto per accendere o spegnere la macchina. La spia START/PAUSE che lampeggia lentamente di colore verde indica che la macchina è accesa. Per spegnere la lavabiancheria durante il lavaggio è necessario tenere premuto il tasto più a lungo, circa 3 sec.; una pressione breve o accidentale non permetterà lo spegnimento della macchina. Lo spegnimento della macchina durante un lavaggio in corso annulla il lavaggio stesso.

**MANOPOLA PROGRAMMI:** per impostare il programma desiderato (vedi "Tabella dei programmi").

Tasto e spia **OPZIONE:** per selezionare l'opzione disponibile. La spia relativa all'opzione selezionata rimarrà accesa.


Tasto **TIPO DI LAVAGGIO** : premere per selezionare l'intensità di lavaggio desiderata.


Tasto **TEMPERATURA** : premere per ridurre o escludere la temperatura; il valore viene indicato nel display.

Tasto **CENTRIFUGA** : premere per ridurre o escludere del tutto la centrifuga; il valore viene indicato nel display.

Tasto **PARTENZA RITARDATA** : premere per impostare una partenza ritardata del programma prescelto; il ritardo viene indicato nel display.

Tasto e spia **START/PAUSE:** quando la spia verde lampeggia lentamente, premere il tasto per avviare un lavaggio. A ciclo avviato la spia diventa fissa. Per mettere in pausa il

lavaggio, premere nuovamente il tasto; la spia lampeggerà con colore ambra. Se il simbolo  non è illuminato, si potrà aprire l'oblò. Per far ripartire il lavaggio dal punto in cui è stato interrotto, premere nuovamente il tasto.

Tasto **BLOCCO TASTI:** per **attivare** il blocco del pannello di controllo, tenere premuto il tasto per circa 2 secondi. La spia  acceso indica che il pannello di controllo è bloccato (ad eccezione del tasto ON/OFF). In questo modo si impediscono modifiche accidentali dei programmi, soprattutto se in casa ci sono dei bambini. Per **disattivare** il blocco del pannello di controllo, tenere premuto il tasto per circa 2 secondi.

### Modalità stand by

Questa lavatrice, in conformità alle nuove normative legate al risparmio energetico, è dotata di un sistema di autospegnimento (stand by) che entra in funzione dopo circa 30 minuti nel caso di non utilizzo. Premere brevemente il tasto ON-OFF e attendere che la macchina si riattivi.

### Guarnizione anti-microbica

La guarnizione dell'oblò è realizzata con una particolare miscela in grado di garantire una protezione antimicrobica, riducendo la proliferazione batterica fino al 99,99%.

La guarnizione oblò contiene piritione di zinco, una sostanza biocida che riduce la proliferazione di microbi dannosi (\*) quali batteri e muffe, che potrebbero causare macchie, cattivi odori e deterioramento del prodotto.

(\*) **Secondo test effettuato dall'Università di Perugia su:**

*Staphylococcus aureus, Escherichia coli, Pseudomonas aeruginosa, Candida albicans, Aspergillus niger, Penicillium digitatum.*

In rari casi il contatto prolungato con la guarnizione potrebbe provocare una reazione allergica alla pelle.

## Display




Il display è utile per programmare la macchina e fornisce molteplici informazioni.

Viene visualizzata la durata dei vari programmi a disposizione e a ciclo avviato il tempo residuo alla fine dello stesso (il display visualizzerà la durata massima del ciclo selezionato che potrà diminuire dopo alcuni minuti, in quanto la durata effettiva del programma varia in base al carico di biancheria e alle impostazioni date); nel caso fosse stata impostata una PARTENZA RITARDATA, viene visualizzato il tempo mancante all'avvio del programma selezionato.

Inoltre, premendo il relativo tasto, vengono visualizzati i valori massimi della velocità di centrifuga e di temperatura che la macchina può effettuare in base al programma impostato o gli ultimi valori selezionati se compatibili con il programma scelto.

### Spia **Oblò bloccato**


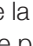
Il simbolo acceso indica che l'oblò è bloccato. Per evitare danni è necessario attendere che il simbolo si spenga prima di aprire l'oblò.

Per aprire la porta mentre un ciclo è in corso premere il tasto START/PAUSE; se il simbolo OBLO' BLOCCATO  è spento sarà possibile aprire l'oblò.

# Come effettuare un ciclo di lavaggio

IT


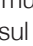
1. **ACCENDERE LA MACCHINA.** Premere il tasto ; la spia START/PAUSE lampeggerà lentamente di colore verde.
2. **CARICARE LA BIANCHERIA.** Aprire la porta oblò. Caricare la biancheria facendo attenzione a non superare la quantità di carico indicata nella tabella programmi della pagina seguente.
3. **DOSARE IL DETERSIVO.** Estrarre il cassetto e versare il detersivo nelle apposite vaschette come spiegato in “*Detersivi e biancheria*”.
4. **CHIUDERE L’OBLO’.**
5. **SCEGLIERE IL PROGRAMMA.** Selezionare con la manopola PROGRAMMI il programma desiderato; ad esso è associata una temperatura e una velocità di centrifuga che possono essere modificate. Sul display comparirà la durata del ciclo.
6. **PERSONALIZZARE IL CICLO DI LAVAGGIO.** Agire sugli appositi tasti:

**Modificare la temperatura e/o la centrifuga.** La macchina visualizza automaticamente la temperatura e la centrifuga massime previste per il programma impostato o le ultime selezionate se compatibili con il programma scelto. Premendo il tasto  si riduce progressivamente la temperatura sino al lavaggio a freddo “OFF”. Premendo il tasto  si riduce progressivamente la centrifuga sino alla sua esclusione “OFF”. Un’ulteriore pressione dei tasti riporterà i valori al massimo consentito per il ciclo selezionato.


! Eccezione: selezionando il programma 3 la temperatura può essere portata sino a 90°.


! Eccezione: selezionando il programma 4 la temperatura può essere portata sino a 60°.

#### Impostare una partenza ritardata.

Per impostare la partenza ritardata del programma prescelto, premere il tasto relativo fino a raggiungere il tempo di ritardo desiderato. Quando tale opzione è attiva, sul display si illumina il simbolo . Per rimuovere la partenza ritardata premere il tasto  fino a che sul display compare la scritta “OFF”.

#### Impostare l'intensità di lavaggio desiderata.

Il tasto  permette di ottimizzare il lavaggio in base al grado di sporco dei tessuti e all'intensità di lavaggio desiderata.

Per capi molto sporchi premere il tasto  fino al raggiungimento del livello “Intensive”. Questo livello garantisce un lavaggio di alte prestazioni grazie all'utilizzo di una maggiore quantità di acqua nella fase iniziale del ciclo ed una maggiore movimentazione meccanica, ed è utile per eliminare le macchie più resistenti. Può essere utilizzato **con** o **senza** candeggina.

Se si desidera effettuare il candeggio inserire la vaschetta aggiuntiva **3**, in dotazione. Nel dosare la candeggina non superare il livello “max” indicato sul perno centrale (vedi figura a pag. 34).

Per capi poco sporchi o per un trattamento più delicato dei tessuti, premere il tasto  fino al raggiungimento del livello “Delicate”. Il ciclo ridurrà la movimentazione meccanica per garantire risultati di lavaggio perfetti per i capi delicati.


#### Modificare le caratteristiche del ciclo.

- Premere il tasto per attivare l'opzione; la spia corrispondente al pulsante si accenderà.
- Premere nuovamente il tasto per disattivare l'opzione; la spia si spegnerà.

! Se l'opzione selezionata non è compatibile con il programma impostato, la spia lampeggerà e l'opzione non verrà attivata.






! Le opzioni possono variare il carico raccomandato e/o la durata del ciclo.

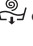
7. **AVVIARE IL PROGRAMMA.** Premere il tasto START/PAUSE. La spia relativa si illuminerà di colore verde fisso e l'oblò si bloccherà (simbolo OBLO' BLOCCATO  acceso). Per cambiare un programma mentre un ciclo è in corso, **mettere la lavabiancheria in pausa** premendo il tasto START/PAUSE (la spia START/PAUSE lampeggerà lentamente di colore ambra); selezionare quindi il ciclo desiderato e premere nuovamente il tasto START/PAUSE. Per aprire la porta mentre un ciclo è in corso premere il tasto START/PAUSE; se il simbolo OBLO' BLOCCATO  è spento sarà possibile aprire l'oblò. Premere nuovamente il tasto START/PAUSE per far ripartire il programma dal punto in cui era stato interrotto.
8. **FINE DEL PROGRAMMA.** Viene indicata dalla scritta “END” sul display, quando il simbolo OBLO' BLOCCATO  si spegnerà sarà possibile aprire l'oblò. Aprire l'oblò, scaricare la biancheria e spegnere la macchina.

! Se si desidera annullare un ciclo già avviato, premere a lungo il tasto . Il ciclo verrà interrotto e la macchina si spegnerà.



## Tabella dei programmi

Programmi	Descrizione del Programma	Temp. max. (°C)	Velocità max. (giri al minuto)	Detersivi			Carico max. (Kg)	Umidità residua %	Consumo energia kWh	Acqua totale lt	Durata ciclo
				Lavaggio	Ammorbidente	Candeggina					
<b>DAILY CLEAN</b>											
1	<b>Antimacchia</b>	40°	1000	●	●	-	4	-	-	-	**
2	<b>Antimacchia Rapido</b>	40°	1000	●	●	-	3,5	-	-	-	**
3	<b>Cotone:</b> bianchi e colorati delicati poco sporchi.	40° (Max. 90°C)	1000	●	●	●	6	-	-	-	**
4	<b>Sintetici (3):</b> colori resistenti poco sporchi.	40° (Max. 60°C)	1000	●	●	●	3,5	44	0,47	46	95'
5	<b>Rapido 30':</b> per rinfrescare rapidamente capi poco sporchi (non indicato per lana, seta e capi da lavare a mano).	30°	800	●	●	-	3	71	0,16	39	30'
<b>SPECIALS</b>											
6	<b>Scuri</b>	30°	800	●	●	-	4	-	-	-	**
7	<b>Delicati</b>	30°	0	●	●	-	1	-	-	-	**
8	<b>Lana:</b> per lana, cachemire, ecc.	40°	800	●	●	-	1,5	-	-	-	**
9	<b>Eco Cotone 60°C</b>  (1): bianchi e colorati resistenti molto sporchi.	60°	1000	●	●	-	6	62	0,80	50	200'
9	<b>Eco Cotone 40°C</b>  (2): bianchi e colorati delicati poco sporchi.	40°	1000	●	●	-	6	62	0,65	65	170'
10	<b>Cotone 20°C:</b> bianchi e colorati delicati poco sporchi.	20°	1000	●	●	●	6	-	-	-	**
<b>EXTRA</b>											
11	<b>Baby</b>	40°	1000	●	●	●	4	-	-	-	**
12	<b>Anti Allergy</b>	60°	1000	●	●	●	4	-	-	-	**
13	<b>Seta/Tende:</b> per capi in seta, viscosa, lingerie.	30°	0	●	●	-	1	-	-	-	**
14	<b>Piumini:</b> per capi imbottiti in piuma d'oca.	30°	1000	●	●	-	1	-	-	-	**
<b>Programmi parziali</b>											
	<b>Risciacquo</b>	-	1000	-	●	-	6	-	-	-	**
	<b>Centrifuga + Scarico</b>	-	1000	-	-	-	6	-	-	-	**
	<b>Solo Scarico *</b>	-	OFF	-	-	-	6	-	-	-	**

\* Selezionando il programma  ed escludendo la centrifuga la macchina effettuerà solo lo scarico.

\*\* E' possibile controllare la durata dei programmi di lavaggio sul display.

La durata del ciclo indicata sul display o sul libretto è una stima calcolata in base a condizioni standard. Il tempo effettivo può variare in base a numerosi fattori quali la temperatura e la pressione dell'acqua in ingresso, la temperatura ambiente, la quantità di detersivo, la quantità ed il tipo di carico, il bilanciamento del carico, le opzioni aggiuntive selezionate.

1) Programma di controllo secondo la direttiva 1061/2010: impostare il programma 9 con una temperatura di 60°C.

Questo ciclo è adatto per pulire un carico di cotone normalmente sporco ed è il più efficiente in termini di consumo combinato di energia e di acqua, da usare su capi lavabili a 60°C. La temperatura effettiva di lavaggio può differire da quella indicata.

2) Programma di controllo secondo la direttiva 1061/2010: impostare il programma 9 con una temperatura di 40°C.

Questo ciclo è adatto per pulire un carico di cotone normalmente sporco ed è il più efficiente in termini di consumo combinato di energia e di acqua, da usare su capi lavabili a 40°C. La temperatura effettiva di lavaggio può differire da quella indicata.

Per tutti Test Institutes:

2) Programma cotone lungo: impostare il programma 9 con una temperatura di 40°C.

3) Programma sintetico lungo: impostare il programma 4 con una temperatura di 40°C.

## Opzioni di lavaggio

! Se l'opzione selezionata non è compatibile con il programma impostato, la spia lampeggerà e l'opzione non verrà attivata.

### Extra Risciacquo

Selezionando questa opzione si aumenta l'efficacia del risciacquo, e si assicura la massima rimozione del detersivo. E' utile per pelli particolarmente sensibili.

# Detersivi e biancheria

IT

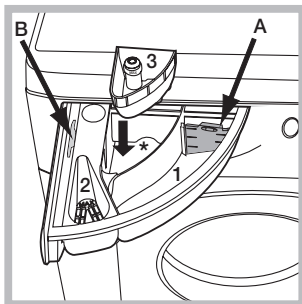
## Cassetto dei detersivi

Il buon risultato del lavaggio dipende anche dal corretto dosaggio del detersivo: eccedendo non si lava in modo più efficace e si contribuisce a incrostare le parti interne della lavabiancheria e a inquinare l'ambiente.

! Usare detersivi in polvere per capi in cotone bianchi e per il prelavaggio e per lavaggi con temperatura superiore a 60°C.

! Seguire le indicazioni riportate sulla confezione di detersivo.

! Non usare detersivi per il lavaggio a mano, perché formano troppa schiuma.



Estrarre il cassetto dei detersivi e inserire il detersivo o l'additivo come segue.

! Non inserire il detersivo nella vaschetta centrale (\*).

### vaschetta 1: Detersivo per lavaggio (in polvere o liquido)

Nel caso di utilizzo di detersivo liquido si consiglia di utilizzare la paretina **A** in dotazione per un corretto dosaggio.

Per l'utilizzo del detersivo in polvere riporre la paretina nella cavità **B**.

### vaschetta 2: Additivi (ammorbidente, ecc.)

L'ammorbidente non deve fuoriuscire dalla griglia.

### vaschetta aggiuntiva 3: Candeggina

## Preparare la biancheria

- Suddividere la biancheria secondo:
  - il tipo di tessuto / il simbolo sull'etichetta.
  - i colori: separare i capi colorati da quelli bianchi.
- Vuotare le tasche e controllare i bottoni.
- Non superare i valori indicati, riferiti al peso della biancheria asciutta: vedi "Tabella dei programmi".

## Quanto pesa la biancheria?

- 1 lenzuolo 400-500 gr.
- 1 federa 150-200 gr.
- 1 tovaglia 400-500 gr.
- 1 accappatoio 900-1200 gr.
- 1 asciugamano 150-250 gr.

## Programmi particolari

**Antimacchia:** il programma **1** è adatto al lavaggio di capi molto sporchi, con colori resistenti. Il programma garantisce una classe di lavaggio superiore alla classe standard (classe A). Non eseguire il programma mescolando capi di colore diverso. Si consiglia l'utilizzo di detersivo in polvere. Per macchie ostinate è consigliato il pretrattamento con additivi specifici.

**Antimacchia Rapido:** Il programma è studiato per lavare i capi con macchie giornaliere anche più ostinate in un'ora. Adatto a capi colorati di fibra mista, garantendone il massimo rispetto.

**Scuri:** utilizzare il ciclo **6** per il lavaggio dei capi di colore scuro. Il programma è studiato per il mantenimento dei colori scuri nel tempo.

Per risultati migliori si raccomanda l'utilizzo del detersivo liquido, preferibilmente per il lavaggio di capi scuri.

**Delicati:** utilizzare il programma **7** per il lavaggio dei capi molto delicati, che presentano applicazioni quali strass o paillettes.

Si raccomanda di rovesciare i capi prima del lavaggio e di inserire gli indumenti piccoli nell'apposito sacchetto per il lavaggio dei capi delicati. Per risultati migliori si raccomanda l'utilizzo del detersivo liquido per capi delicati.

### Lana - Woolmark Apparel Care - Green:

il ciclo di lavaggio "Lana" di questa lavatrice è stato approvato dalla Woolmark Company per il lavaggio di capi di lana classificati come "lavabili a mano", purché il lavaggio venga eseguito nel rispetto delle istruzioni riportate sull'etichetta dell'indumento e delle indicazioni fornite dal produttore di questa lavatrice. (M1128)



**Cotone 20°C** il programma **10** è ideale per carichi in cotone poco sporchi. Le buone performance anche a freddo, comparabili con un lavaggio a 40°, sono garantite da un'azione meccanica che lavora con variazioni di velocità a picchi ripetuti e ravvicinati.

**Baby:** utilizzare il programma **11** per asportare lo sporco tipico dei bambini e rimuovere il detersivo dai panni onde evitare reazioni allergiche alla pelle delicata dei bambini. Questo ciclo è stato studiato per ridurre la carica batterica utilizzando una maggior quantità di acqua e ottimizzando l'effetto di additivi specifici igienizzanti aggiunti al detersivo.

**Anti Allergy:** utilizzare il programma **12** per la rimozione dei principali allergeni come polline, acari, peli del gatto e cane.

**Seta:** utilizzare l'apposito programma **13** per lavare tutti i capi in seta. Si consiglia l'utilizzo di un detersivo specifico per capi delicati.

**Tende:** si raccomanda di piegarle e sistemarle dentro una federa o un sacchetto a rete. Utilizzare il programma **13**.

**Piumini:** per lavare capi con imbottiture in piuma d'oca quali giacche a vento o cuscini, (non eccedenti 1 kg. di peso), utilizzare l'apposito programma **14**.

## Sistema bilanciamento del carico

Prima di ogni centrifuga, per evitare vibrazioni eccessive e per distribuire il carico in modo uniforme, il cestello effettua delle rotazioni ad una velocità leggermente superiore a quella del lavaggio. Se al termine di ripetuti tentativi il carico non fosse ancora correttamente bilanciato la macchina effettua la centrifuga ad una velocità inferiore a quella prevista. In presenza di eccessivo sbilanciamento la lavabiancheria effettua la distribuzione anziché la centrifuga. Per favorire una migliore distribuzione del carico e il suo corretto bilanciamento si consiglia di mescolare capi grandi e piccoli.

Può accadere che la lavabiancheria non funzioni. Prima di telefonare all'Assistenza (vedi "Assistenza"), controllare che non si tratti di un problema facilmente risolvibile aiutandosi con il seguente elenco.

## Anomalie:

### La lavabiancheria non si accende.

### Il ciclo di lavaggio non inizia.

### La lavabiancheria non carica acqua (Sul display viene visualizzata la scritta "H2O" lampeggiate).

### La lavabiancheria carica e scarica acqua di continuo.

### La lavabiancheria non scarica o non centrifuga.

### La lavabiancheria vibra molto durante la centrifuga.

### La lavabiancheria perde acqua.

### Le spie delle "Opzioni" e dello START/PAUSE lampeggiano velocemente e il display visualizza un codice di anomalia (es.: F-01, F-..).

### Si forma troppa schiuma.

## Possibili cause / Soluzione:

- La spina non è inserita nella presa della corrente, o non abbastanza da fare contatto.
- In casa non c'è corrente.

- L'oblò non è ben chiuso.
- Il tasto ON/OFF non è stato premuto.
- Il tasto START/PAUSE non è stato premuto.
- Il rubinetto dell'acqua non è aperto.
- Si è impostato un ritardo sull'ora di avvio (PARTENZA RITARDATA, vedi "Come effettuare un ciclo di lavaggio").

- Il tubo di alimentazione dell'acqua non è collegato al rubinetto.
- Il tubo è piegato.
- Il rubinetto dell'acqua non è aperto.
- In casa manca l'acqua.
- Non c'è sufficiente pressione.
- Il tasto START/PAUSE non è stato premuto.

- Il tubo di scarico non è installato fra 65 e 100 cm da terra (vedi "Installazione").
- L'estremità del tubo di scarico è immersa nell'acqua (vedi "Installazione").
- Lo scarico a muro non ha lo sfiato d'aria.

Se dopo queste verifiche il problema non si risolve, chiudere il rubinetto dell'acqua, spegnere la lavabiancheria e chiamare l'Assistenza. Se l'abitazione si trova agli ultimi piani di un edificio, è possibile che si verifichino fenomeni di sifonaggio, per cui la lavabiancheria carica e scarica acqua di continuo. Per eliminare l'inconveniente sono disponibili in commercio apposite valvole anti-sifonaggio.

- Il programma non prevede lo scarico: con alcuni programmi occorre avviarlo manualmente.
- Il tubo di scarico è piegato (vedi "Installazione").
- La condotta di scarico è ostruita.

- Il cestello, al momento dell'installazione, non è stato sbloccato correttamente (vedi "Installazione").
- La lavabiancheria non è in piano (vedi "Installazione").
- La lavabiancheria è stretta tra mobili e muro (vedi "Installazione").

- Il tubo di alimentazione dell'acqua non è ben avvitato (vedi "Installazione").
- Il cassetto dei detersivi è intasato (per pulirlo vedi "Manutenzione e cura").
- Il tubo di scarico non è fissato bene (vedi "Installazione").

- Spegnere la macchina e togliere la spina dalla presa, attendere circa 1 minuto quindi riaccenderla.  
Se l'anomalia persiste, chiamare l'Assistenza.

- Il detersivo non è specifico per lavabiancheria (deve esserci la dicitura "per lavatrice", "a mano e in lavatrice", o simili).
- Il dosaggio è stato eccessivo.

# Assistenza

IT

## Prima di contattare l'Assistenza:

- Verificare se l'anomalia può essere risolta da soli (vedi "Anomalie e rimedi");
- Riavviare il programma per controllare se l'inconveniente è stato avviato;
- In caso negativo, contattare il Numero Unico 199.199.199\*.

! Non ricorrere mai a tecnici non autorizzati.

## Comunicare:

- il tipo di anomalia;
- il modello della macchina (Mod.);
- il numero di serie (S/N).

Queste informazioni si trovano sulla targhetta applicata nella parte posteriore della lavabiancheria e nella parte anteriore aprendo l'oblò.

## Assistenza Attiva 7 giorni su 7



In caso di necessità d'intervento chiamare il Numero Unico Nazionale 199.199.199\*.

Un operatore sarà a completa disposizione per fissare un appuntamento con il Centro Assistenza Tecnico Autorizzato più vicino al luogo da cui si chiama.

È attivo 7 giorni su 7, sabato e domenica compresi, e non lascia mai inascoltata una richiesta.

\* Al costo di 14,25 centesimi di Euro al minuto (iva inclusa) dal Lun. al Ven. dalle 08:00 alle 18:30, il Sab. dalle 08:00 alle 13:00 e di 5,58 centesimi di Euro al minuto (iva inclusa) dal Lun. al Ven. dalle 18:30 alle 08:00, il Sab. dalle 13:00 alle 08:00 e i giorni festivi, per chi chiama da telefono fisso. Per chi chiama da radiomobile le tariffe sono legate al piano tariffario dell'operatore telefonico utilizzato. Le suddette tariffe potrebbero essere soggette a variazione da parte dell'operatore telefonico; per maggiori informazioni consultare il sito <http://www.hotpoint.eu/hotpoint/>

FICHE TECNICA - REGOLAMENTO DELEGATO (UE) N. 1061/2010 DELLA COMMISSIONE	
Marchio	HOTPOINT/ARISTON
Modello	RSSF 603 EU
Capacità in kg di cotone	6
Classe di efficienza energetica su una scala da A+++ (basso consumo) a G (alto consumo)	A+++
Consumo annuo di energia in kWh <sup>1)</sup>	152
Consumo di energia del programma cotone standard a 60°C a pieno carico in kWh <sup>2)</sup>	0.803
Consumo di energia del programma cotone standard a 60° carico parziale in kWh <sup>2)</sup>	0.583
Consumo di energia del programma cotone standard a 40° a carico parziale in kWh <sup>2)</sup>	0.545
Consumo di potenza in modo spento in W	0.5
Consumo di potenza in modo lasciato acceso in W	8
Consumo di acqua in litri/anno <sup>3)</sup>	8400
Classe di efficacia di centrifuga su una scala da G (efficacia minima) ad A (efficacia massima)	C
Velocità massima di centrifuga raggiunta <sup>4)</sup>	1000
Umidità residua <sup>5)</sup>	62.0%
Durata del programma cotone standard a 60°C a pieno carico in minuti	200
Durata del programma cotone standard a 60°C a carico parziale in minuti	150
Durata del programma cotone standard a 40°C a carico parziale in minuti	145
Durata del modo lasciato acceso in minuti	30
Rumore in dB(A) re 1 pW in lavaggio <sup>6)</sup>	62
Rumore in dB(A) re 1 pW in centrifuga <sup>6)</sup>	79
Modello da incasso	

<sup>1)</sup> Basato su 220 cicli di lavaggio cotone standard a 60°C e a 40°C a carico pieno e parziale e sul consumo nei modi di spento e lasciato acceso. Il consumo effettivo dipende dalla modalità di utilizzo della lavabiancheria.

<sup>2)</sup> Il "cotone standard a 60°C" a carico pieno e parziale ed il "cotone standard a 40°C" a carico parziale sono i programmi di lavaggio standard ai quali fanno riferimento le informazioni sull'etichetta e sulla scheda, questi programmi sono adatti per lavare cotone normalmente sporco e sono i programmi più efficienti in termini di consumo combinato di energia e acqua. Il carico parziale è la metà del carico nominale.

<sup>3)</sup> Basato su 220 cicli di lavaggio cotone standard a 60°C e a 40°C a carico pieno e parziale. Il consumo effettivo dipende dalla modalità di utilizzo dell'apparecchio.

<sup>4)</sup> Valore minimo fra il programma cotone standard 60°C a pieno e metà carico e il cotone standard 40°C a metà carico.

<sup>5)</sup> Valore massimo fra il programma cotone standard 60°C a pieno e metà carico e il cotone standard 40°C a metà carico.

<sup>6)</sup> Misurato sul programma cotone standard a 60°C pieno carico.

UA

Українська

RSSF 603

### Зміст

#### Встановлення, 38-39

Розпакування й вирівнювання  
Підключення води й електроенергії  
Перший цикл прання  
Технічні дані

#### Технічне обслуговування та догляд, 40

Відключення води й електричного живлення  
Очищення пральної машини  
Чистка касети для миючих засобів  
Догляд за люком та барабаном  
Миття насосу  
Контроль шланга для подачі води

#### Запобіжні заходи та поради, 41

Загальна безпека  
Утилізація  
Ручне відкривання дверцят люку

#### Опис пральної машини, 42-43

Панель команд  
Дисплей

#### Як здійснювати цикл прання, 44

#### Програми й опції, 45

Таблиця програм  
Опції прання

#### Пральні засоби і білизна, 46

Касета з пральним засобом  
Підготовка білизни  
Спеціальні програми  
Система балансування завантаження

#### Несправності та засоби їх усунення, 47

#### Допомога, 48



# Встановлення

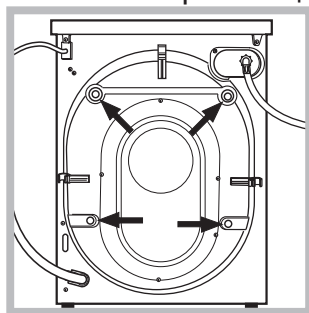
UA

**!** Зберігайте дану брошуру, щоб мати нагоду звернутися до неї у будь-який момент. У раз продажу, передачі іншій особі або переїзду переконайтеся в тому, що інструкція перебуває разом із пральною машиною й новий власник може ознайомитися з її принципами роботи й відповідними запобіжними заходами.  
**!** Уважно вивчіть інструкцію: в ній міститься важлива інформація щодо встановлення, використання та безпеки.

## Розпакування й вирівнювання

### Розпакування

1. Розпакування пральної машини  
2. Вдоскональтеся, що машина не зазнала ушкоджень під час транспортування. Якщо такі є, не виконуйте ніяких підключень та негайно зверніться до постачальника.

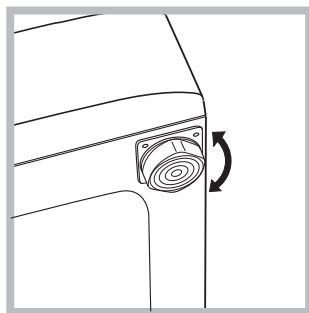


3. Видаліть 4 запобіжні гвинти для транспортування та гумову прокладку з відповідною розпірною деталлю, які знаходяться позаду (див. малюнок).

4. Закрийте отвори пластмасовими пробками з комплекту постачання.  
5. Зберігайте всі компоненти: у разі транспортування пральної машини їх потрібно повернути на місце.  
**!** Забороняйте дітям гратися з упаковками.

### Вирівнювання

1. Встановіть пральну машину на плоскій та твердій підлозі, не притуляючи її до стін, меблів, тощо.



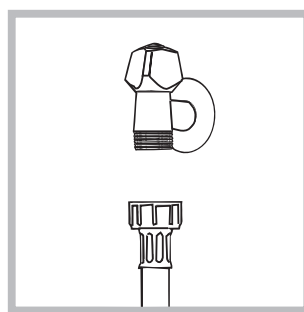
2. Якщо підлога не є ідеально горизонтальною, компенсуйте нерівності за допомогою передніх ніжок (див. малюнок) – розкручуючи чи закручуючи їх; кут нахилу

відносно робочої поверхні не повинен перевищувати 2°.

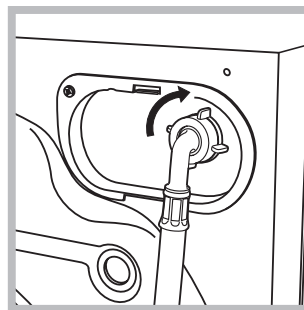
Належне вирівнювання забезпечить стабільність машині та запобіжить вібраціям, шуму та пересуванням під час роботи. У випадку встановлення машини на килимовому покритті або килимах, ніжки необхідно відрегулювати таким чином, щоб гарантувати під пральною машиною необхідний простір для вентиляції.

## Підключення води й електроенергії

### Під'єднання труби для подачі води



1. Підключити трубу подачі, прикрутивши її до крану холодної води за допомогою штуцера з газовою різьбою 3/4 (див. схему). Перед підключенням зливайте воду, доки вона не стане прозорою.



2. Підключіть трубу подачі води до пральної машини, під'єднавши його до водорозбірного крану, який знаходиться угорі праворуч на задньому боці машини (див. малюнок).

3. Зверніть увагу, щоб труба не мала згинів та утисків.

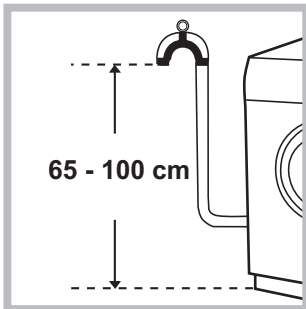
**!** Тиск води в крані має відповідати значенням у таблиці Технічних даних (див. сторінку поруч).

**!** Якщо довжини труби для води не вистачає, зверніться у спеціалізовану крамницю або до уповноваженого фахівця.

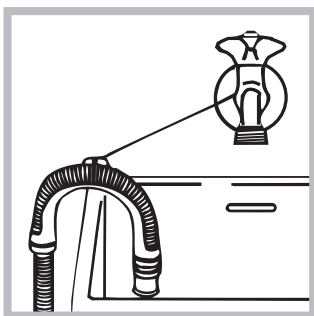
**!** Не користуйтеся трубами, які були вже у вживанні.

**!** Використовуйте труби з комплекту постачання.

## Під'єднання шлангу злива води



Під'єдняйте зливний шланг, не згинаючи його, до каналізації або до зливного отвору у стіні на висоті від 65 до 100 см від підлоги.



Або ж встановіть вихід зливного шланга на край рукомийника або ванни, поєднавши напрямну (придбати яку можна у сервісному центрі) до крану (див. малюнок). Не залишайте вільний

кінець зливного шланга зануреним у воду.

! Використання подовжувача шланга не рекомендоване. При використанні подовжувача шланга (якщо це дійсно є необхідним), переконайтеся у тому, що він має той самий діаметр та його довжина не перевищує 150 см.

## Електричні підключення

Перш ніж увімкнути вилку в електричну розетку, переконайтеся в тому, що:

- розетка має заземлення у відповідності до встановлених норм;
- розетка розрахована на максимальне навантаження у межах потужності машини, зазначене у таблиці Технічних даних (див. малюнок поруч);
- напруга живлення перебуває у межах, зазначених у таблиці Технічних даних (див. малюнок поруч);
- розетка підходить до вилки пральної машини. В іншому випадку замініть розетку або вилку.

! Машину не можна встановлювати поза приміщенням, навіть в захищених місцях, тому що дуже небезпечно піддавати її впливу дощу і грози.

! Коли машину вже встановлено, забезпечте вільний доступ до електричної розетки.

! Не використовуйте подовжувачі й трійники.

! Шнур не повинен мати згинів або утисків.

! Заміна шнура живлення має виконуватися тільки вповноваженими фахівцями.

Увага! Підприємство знімає з себе відповідальність у разі недотримання вказаних правил.

## Перший цикл прання

Після встановлення, перш ніж розпочати використання машини, виконайте цикл прання з пральним засобом, але не завантажуючи білизну, встановивши програму Самоочищення (див. "Очищення пральної машини").

Технічні дані	
Модель	RSSF 603
Розміри	ширина 59,5 см висота 85 см глибина 42,5 см
Кількість білизни	від 1 до 6 кг
Електричні підключення	див. шильдік з технічними даними на машині
Водопровідні підключення	максимальний тиск 1 мПа (10 бар) мінімальний тиск 0,05 мПа (0,5 бар) об'єм баку – 40 літри
Швидкість центрифуги	до 1000 обертів на хвилину
Програми контролю згідно з нормою 1061/2010 1015/2010	програма 9; Ехо бавовна 60°C. програма 9; Ехо бавовна 40°C.
	Цей прилад відповідає таким європейським директивам: - EMC - 2014/30/EU (Електромагнітна сумісність) - 2012/19/EU (WEEE) - LVD - 2014/35/EU (Низька напруга)
	

# Технічне обслуговування та догляд

UA

## Відключення води й електричного живлення

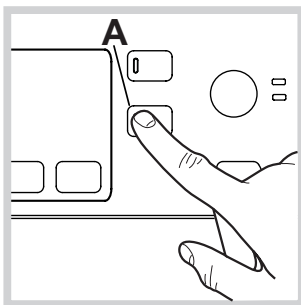
- Закривайте водопровідний кран після кожного прання. У такий спосіб зменшується знос гідравлічної частини машини й усувається небезпека витоку.
- Виймайте штепсель з розетки під час миття машини та під час робіт з технічного обслуговування.

## Очищення пральної машини

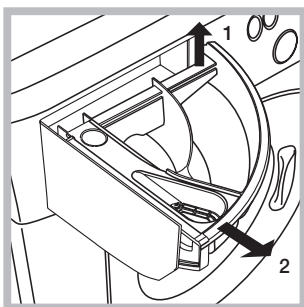
- Зовнішня частина і гумові деталі можуть бути вимиті тканиною, змоченою у теплій воді й милі. Не використовуйте розчинники або абразиви.

- Пральна машина оснащена програмою Самоочищення внутрішніх частин, яку слід запускати **без будь-яких речей всередині барабану**.

Пральний засіб (його кількість має складати 10% від рекомендованої для злегка забруднених речей) або спеціальні засоби для очищення пральної машини можна використовувати як допоміжні у програмі прання. Рекомендується виконувати програму очищення через кожні 40 циклів прання. Для пуску програми слід натиснути на кнопку **A** впродовж 5 сек. (див. малюнок). Програма запускається автоматично і триває приблизно 70 хвилин. Для припинення циклу натисніть на кнопку ПУСК/ПАУЗА.



## Чистка касети для миючих засобів



Вийміть касету, піднявши її та витягнувши назовні (див. малюнок). Промийте під проточною водою; ця процедура має проводитися регулярно.

## Догляд за люком та барабаном

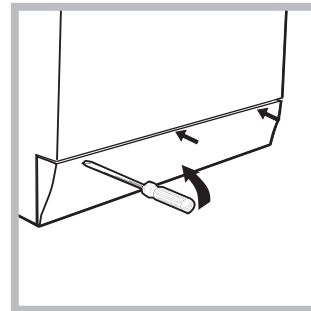
- Завжди залишайте відкритими дверцята люку, тоді не утворюватимуться неприємні запахи.

## Миття насоса

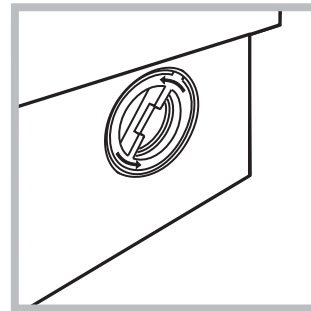
Пральну машину обладнано насосом з автоматичною чисткою, який не вимагає технічного обслуговування. Може трапитися так, що малі предмети (монети, гудзики) потраплять до форкамери, що захищає насос, розташований у її нижній частині.

! Переконайтеся у тому, що цикл прання закінчено, і витягніть штепсель з розетки.

Щоб потрапити до форкамери:



1. зніміть декоративну панель на лицевому боці пральної машини за допомогою викрутки (див. малюнок);



2. відкрутіть кришку, обертаючи її проти годинникової стрілки (див. малюнок): виток незначної кількості води є нормальним;

3. акуратно очистіть внутрішню частину;
4. накрутіть кришку;
5. встановіть панель на місце, пересвідчіться у тому, що крюки були вставлені у спеціальні петлі, після чого притисніть її до машини.

## Контроль шланга для подачі води

Перевіряйте шланг для подачі води не менше одного разу на рік. Якщо на ньому є тріщини, він підлягає заміні: під час прання високий тиск може призвести до розірвання.

! Не користуйтеся шлангами, які були вже у вживанні.

! Машину була спроектовано і вироблено у відповідності з міжнародними нормами безпеки. Дані попередження складені для забезпечення безпеки і тому їх треба уважно прочитати.

## Загальна безпека

- Після використання машини обов'язково відключайте її від мережі живлення змінного струму та перекривайте кран водогону.
- Дане обладнання було розроблене виключно для побутового використання.
- Дозволяється користування цим приладом дітьми віком від 8 років, а також особами з обмеженими фізичними, сенсорними або розумовими можливостями або особами без належного досвіду і знань, якщо вони перебувають під постійним контролем або проінструктовані щодо правил з небезпечного використання приладу і усвідомлюють ступені ризику. Не дозволяйте дітям гратися з приладом. Операції з очищення і догляду не повинні виконуватися дітьми без належного контролю.
- Машина має використовуватися тільки повнолітніми особами і згідно з інструкціями, наведеними у даній брошурі.
- Не торкайтеся до машини голими ногами або мокрими чи вологими руками й ногами.
- Не виймайте штепсель з електричної розетки, витягуючи його за провід, тримайтеся тільки за самий штепсель.
- Не відкривайте касету з миючими засобами під час роботи машини.
- Будьте обережні: вода, що зливається, може мати високу температуру.
- У жодному випадку не застосовуйте силу до люку: це може ушкодити запобіжний механізм проти випадкових відкривань.
- Якщо машина не працює у разі поломки, у жодному випадку не намагайтеся дістатися внутрішніх механізмів з метою самостійного ремонту.
- Слідкуйте, щоб діти не наближалися до працюючої машини.
- Під час прання люк нагріватиметься.
- Пересування машини має здійснюватися двома або трьома особами за умови максимальної уваги. Ні в якому разі - однією особою, тому що машина дуже важка.
- Перш ніж завантажити білизну, перевірте, щоб барабан був порожній.

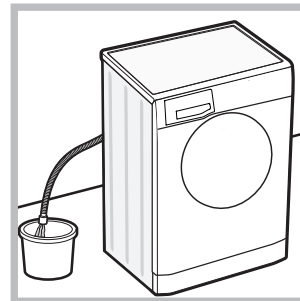
## Утилізація

- Утилізація пакувального матеріалу: додержуйтесь місцевих норм, так як пакування може бути використане повторно.
- Європейська директива 2012/19/EU (WEEE) з відходів від електричної й електронної апаратури передбачає, що побутові електроприлади не можуть перероблятися у звичайному порядку для твердих міських відходів. Зняті з експлуатації побутові прилади мають бути зібрані окремо для

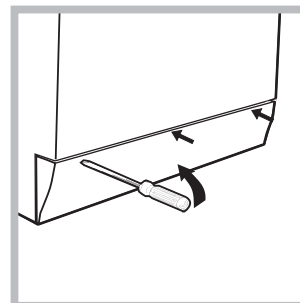
оптимізації ступеню відновлення й рециркулювання матеріалів, що входять до їхнього складу, і з метою усунення потенційної шкоди для здоров'я та навколишнього середовища. Символ закресленої корзини, зображений на всіх виробках, нагадує про необхідність окремої утилізації. Для подальшої інформації про правильне зняття з експлуатації побутових електроприладів, їхні власники можуть звернутися у відповідну муніципальну службу або до продавця приладу.

## Ручне відкривання дверцят люку

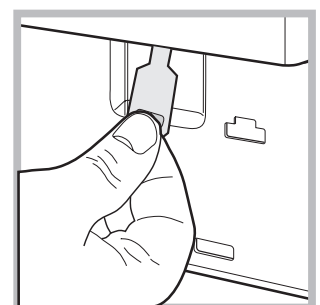
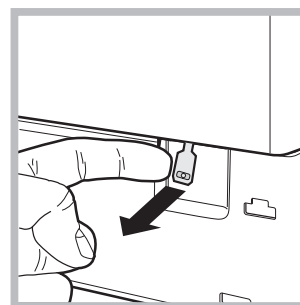
У випадку, якщо неможливо відкрити дверцята люку із-за відсутності електроенергії і ви хотіли б розвісити речі, треба діяти таким чином:



1. витягніть штепсель з електричної розетки.
2. перевірте, щоб рівень води усередині машини був нижчим за рівень отвору люку; якщо це не так, злийте надлишок води через зливний шланг, збираючи її у відрі, як показано на малюнку.



3. зніміть декоративну панель на лицевому боці пральної машини за допомогою викрутки (див. малюнок).



4. За допомогою вказаного на малюнку язичка тягніть пластмасову тягу з упору назовні, аж доки її не буде звільнено; потім протягніть її донизу, одночасно відкриваючи дверцята.


5. встановіть панель на місце, пересвідчіться у тому, що крюки були вставлені у спеціальні петлі, після чого притисніть її до машини.

# Опис пральної машини

## Панель команд





**Касета з пральним засобом:** для завантаження пральних засобів та присадок (див. “Пральні засоби та білизна”).

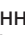
Кнопка **ON/OFF** : швидко натисніть і відпустіть кнопку для увімкнення або вимикання машини. Індикаторна лампа ПУСК/ПАУЗА блимає зеленим світлом з повільними інтервалами, вказуючи на те, що машину ввімкнено. Для вимикання пральної машини під час прання необхідно утримувати кнопку натиснутою приблизно більш ніж 3 сек.; короткочасне або випадкове натискання не дозволить вимкнути машину. Вимикання машини під час циклу прання відмінює це прання.

**РУЧКА ПРОГРАМ:** для задання бажаної програми (див. “Таблиця програм”).

Кнопки з індикаторними лампами **ОПЦІЯ:** для вибору наявних опцій. Індикаторна лампа опції залишається увімкненою.


Кнопка з індикаторною лампою **ТИП ПРАННЯ** : натиснути для вибору бажаної інтенсивності прання.


Кнопка **ТЕМПЕРАТУРА** : натискання викликає зменшення або виключення температури взагалі; значення відображується на дисплеї.

Кнопка **ВІДЖИМУ** : натискання викликає зменшення або виключення віджиму взагалі; значення відображується на дисплеї.

Кнопка **ВІДСТРОЧЕНИЙ ПУСК** : натискання викликає відкладення пуску обраної програми; значення затримки відображується на дисплеї.

Кнопка з індикаторною лампою **ПУСК/ПАУЗА:** коли зелена індикаторна лампа блимає з повільними інтервалами, натисніть на кнопку для запуску прання. Якщо цикл розпочався, індикаторна лампа горить постійно. Щоб увійти в режим паузи під час прання, знову натисніть на кнопку; індикаторна лампа почне

горіти померанцевим кольором. Якщо позначка  не світиться, ви можете відкрити люк. Щоб продовжити прання з місця, де воно було перерване, знову натисніть на кнопку.

Кнопка **БЛОКУВАННЯ КНОПОК:** щоб активувати блокування панелі управління натисніть та утримуйте кнопку впродовж 2 секунд. Ввімкнена  позначка показує, що панель управління заблоковано (за винятком кнопки ON/OFF). У цей спосіб перешкоджають випадковій зміні програм, передусім, якщо у домі є діти. Для відключення блокування панелі управління натисніть та утримуйте кнопку впродовж 2 секунд.

### Режим очікування

Відповідно до норм, пов'язаних з заощадження енергії, цю пральну машину оснащено системою автовимкнення (stand by), яка активується через 30 хвилин відсутності роботи відсутності роботи з боку машини. Швидко натисніть кнопку ON/OFF та зачекайте відновлення роботи машини.

### Антимікробна прокладка

Прокладка люку виконана із спеціальної суміші, здатної забезпечити протимікробний захист, зменшуючи ріст бактерій аж до 99,99 %. Прокладка люку містить піритіон цинку, що є біоцидною речовиною, яка зменшує ріст шкідливих мікробів (\*), таких як бактерії та пліснява, що можуть привезти до утворення плям, неприємного запаху та погіршення якості одягу.

(\* **За результатами випробувань, проведених в Університеті м. Перуджа, щодо:** *Staphylococcus aureus*, *Escherichia coli*, *Pseudomonas aeruginosa*, *Candida albicans*, *Aspergillus niger*, *Penicillium digitatum*.)

В рідких випадках довготривалий контакт з прокладкою може спричинити алергічну реакцію шкіри.



## Дисплей

UA




Дисплей є зручним для програмування машини; він надає різноманітну інформацію.

Відображається тривалість різних програм, та при розпочатому циклі – час до його завершення (на дисплеї відображається максимальна тривалість обраного циклу, яка може зменшитися через декілька хвилин оскільки фактична тривалість програми залежить від завантаженої білизни і завданих параметрів); якщо встановлено ВІДСТРОЧЕНИЙ ПУСК, відображується час, якого бракує до початку вибраної програми.

Крім того, при натисканні на відповідну кнопку з'являються максимальні значення швидкості центрифуги (віджиму) та температури, з якими машина може виконувати задану програму. Або з'являються останні задані значення, сумісні з обраною програмою.


Індикаторна лампа **ЛЮК ЗАБЛОКОВАНО** 

Якщо індикаторна лампа світиться, це означає, що люк заблоковано. З метою запобігання ушкодженням, перш ніж відкрити люк, вдоскональтеся, що індикаторна лампа не горить.



Щоб відкрити дверцята люку під час виконання циклу натисніть на кнопку START/PAUSE; якщо індикаторна лампа ЛЮК ЗАБЛОКОВАНО  згасне, це означає, що люк можна відкрити.

# Як здійснювати цикл прання

UA

- 1. УВІМКНУТИ МАШИНУ.** Натисніть на кнопку ; індикаторна лампа ПУСК/ПАУЗА блиматиме зеленим світлом з повільними інтервалами.
- 2. ЗАВАНТАЖИТИ БІЛИЗНУ.** Відкрити люк. Завантажити білизну, намагаючись не перевищити кількість білизни, зазначену в таблиці програм на наступній сторінці.
- 3. ВІДМІРЯТИ ПРАЛЬНИЙ ЗАСІБ.** Витягнути касету і додати пральний засіб у відповідні ванночки, як вказано в розділі “Пральні засоби і білизна”.
- 4. ЗАКРИТИ ЛЮК.**
- 5. ВИБРАТИ ПРОГРАМУ.** Вибрати за допомогою ручки ПРОГРАМ бажану програму; кожна програма має параметри температури та швидкості віджиму (центрифуги), які можна налаштувати. На дисплеї з'явиться тривалість циклу.
- 6. НАЛАШТУВАТИ ЦИКЛ ПРАННЯ ПІД ВЛАСНІ ПОТРЕБИ.** Це здійснюється за допомогою відповідних кнопок:


## Змінити температуру і/або швидкість віджиму.

На дисплеї автоматично відображується максимальна температура і швидкість центрифуги, передбачені для заданої програми. Або останні задані параметри, якщо вони є сумісними з вибраною програмою. Натисканням на кнопку  отримується поступове зменшення температури аж до холодного прання “OFF”. Натисканням на кнопку  отримується поступове зменшення швидкості віджиму аж до його виключення взагалі “OFF”. Наступне натискання на кнопки призводить до повернення до максимальних значень.


! Виключення: при виборі програми 3, температура може збільшитися до 90 градусів.


! Виключення: при виборі програми 4, температура може збільшитися до 60 градусів.

## Задати відстрочений пуск.

Для встановлення відстроченого пуску обраної програми натискати на відповідну кнопку, доки не з'явиться необхідний час відстрочення. При увімкненій опції на дисплеї горить індикаторна лампа . Щоб скасувати відстрочений пуск, натискати на кнопку до появи на дисплеї напису “OFF”.

## Як задати бажану інтенсивність прання.


За допомогою кнопки  можна оптимізувати прання залежно від ступеню забруднення речей і від бажаної інтенсивності прання.

Для дуже забруднених речей слід натиснути кнопку  і вибрати “Intensive”.

На цьому рівні гарантується вискоелективне прання завдяки використанню більшої кількості води на початку циклу і значнішої механічної роботи; рекомендується для видалення стійких плям. Може

використовуватися з вибілювачем або без.

Щоб відбілити речі, вставте додаткову ванночку 3 з комплекту постачання. Під час дозування вибілювача не перевищуйте максимальний рівень «max» на центральній стрижні (див. малюнок на стор. 46).

Якщо речі не дуже забруднені або потребується делікатне поводження з тканинами, натисніть на кнопку , щоб обрати “Delicate”.




У цьому циклі механічна робота зменшується, щоб гарантувати оптимальні результати прання для делікатних речей.

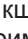
## Змінити характеристики циклу.

- Натиснути на кнопку для увімкнення опції; при цьому спалахне відповідна індикаторна лампа.
- Натиснути знову на кнопку, щоб скасувати вибір; індикаторна лампа згасне.

! Якщо вибрана опція несумісна з заданою програмою, індикаторна лампа почне блимати й вибір не буде активований.

! Опції можуть змінювати рекомендоване завантаження та/або тривалість циклу.

- 7. ЗАПУСТИТИ ПРОГРАМУ.** Натиснути на кнопку ПУСК/ПАУЗА. Відповідна індикаторна лампа засвітиться зеленим світлом, при цьому люк буде заблоковано (світлитиметься індикаторна лампа ЛЮК ЗАБЛОКОВАНО ). Для зміни програми під час виконання циклу призупиніть машину, натиснувши на кнопку ПУСК/ПАУЗА (індикаторна лампа ПУСК/ПАУЗА блиматиме янтарним світлом з повільними інтервалами); виберіть бажаний цикл та знову натисніть на кнопку ПУСК/ПАУЗА. Щоб відкрити дверцята люку під час виконання циклу, натисніть на кнопку ПУСК/ПАУЗА; якщо індикаторна лампа ЛЮК ЗАБЛОКОВАНО  згасне, це означає, що люк можна відкрити. Знову натисніть на кнопку ПУСК/ПАУЗА, щоб продовжити програму з того місця, де її було перервано.
- 8. ЗАВЕРШЕННЯ ПРОГРАМИ.** На це вказує напис “END” на дисплеї; коли згасне індикаторна лампа ЛЮК ЗАБЛОКОВАНО , люк можна відкрити. Відкрити люк, витягнути білизну й вимкнути машину.

! Якщо необхідно анулювати вже розпочатий цикл, утримуйте кнопку  натиснутою відносно тривалий час. Цикл буде перерваний, і машина вимкнеться.

### Таблиця програм

програми	Опис програми	Макс. темп. (°C)	Макс. швидкість (обертів за хвилину)	Пральні засоби та додаткові засоби			Макс. завантаження (кг)	Остаточна вологість (%)	Споживання електроенергії (кВт/год)	Загальна кількість води (л)	Тривалість циклу
				Прання	Пом'якшувач	Відбілювач					
<b>DAILY CLEAN</b>											
1	Антикорозійний	40°	1000	●	●	-	4	-	-	-	**
2	Антикорозійний швидкий	40°	1000	●	●	-	3,5	-	-	-	**
3	Бавовна: Злегка забруднені делікатні білі та кольорові тканини.	40° (Max. 90°C)	1000	●	●	●	6	-	-	-	**
4	Синтетичні (3): Злегка забруднені кольорові делікатні тканини.	40° (Max. 60°C)	1000	●	●	●	3,5	44	0,47	46	95'
5	Швидко 30': Для швидкого освіження злегка забруднених речей (не рекомендоване для вовняних, шовкових речей або для речей для ручного прання).	30°	800	●	●	-	3	71	0,16	39	30'
<b>SPECIALS</b>											
6	Темні речі	30°	800	●	●	-	4	-	-	-	**
7	Делікатне	30°	0	●	●	-	1	-	-	-	**
8	Вовна: для речей з вовни, кашеміру, тощо.	40°	800	●	●	-	1,5	-	-	-	**
9	Ехо бавовна 60°C (1): дуже забруднені стійкі білі та кольорові тканини.	60°	1000	●	●	-	6	62	0,80	50	200'
9	Ехо бавовна 40°C (2): Злегка забруднені делікатні білі та кольорові тканини.	40°	1000	●	●	-	6	62	0,65	65	170'
10	Бавовна 20°C: Злегка забруднені делікатні білі та кольорові тканини.	20°	1000	●	●	●	6	-	-	-	**
<b>EXTRA</b>											
11	Дитина	40°	1000	●	●	●	4	-	-	-	**
12	Протиалергічне прання	60°	1000	●	●	●	4	-	-	-	**
13	Шовк/Штори: Для речей з шовку, віскози, нижньої білизни.	30°	0	●	●	-	1	-	-	-	**
14	Пухові речі	30°	1000	●	●	-	1	-	-	-	**
<b>ЧАСТКОВІ</b>											
	Ополіскування	-	1000	-	●	-	6	-	-	-	**
	Віджим + Злив	-	1000	-	-	-	6	-	-	-	**
	Тільки Злив *	-	OFF	-	-	-	6	-	-	-	**

\* Якщо обрати програму і вимкнути з роботи центрифугу (віджимання), машина виконає лише злив води.

\*\* Тривалість програм відображується на дисплеї.

Тривалість циклу, вказана на дисплеї або в керівництві, розрахована на основі стандартних умов роботи. Фактичний час може залежати від чисельних факторів, таких як температура і тиск подаваної води, температура у приміщенні, кількість мийного засобу, кількість і тип завантаженої білизни, зрівноваження завантаженої білизни, додаткові обрані опції.

1) Програма керування згідно до норми 1061/2010: встановити програму 9 з температурою 60°C.

Цей цикл призначений для прання бавовняних речей із звичайним ступенем забруднення. Ефективність циклу підвищується завдяки комбінованому споживанню енергії та води. Він має використовуватися для речей, які придатні для прання при температурі 60°C. Фактична температура прання може дещо відрізнитися від заявленої.

2) Програма керування згідно до норми 1061/2010: встановити програму 9 з температурою 40°C.

Цей цикл призначений для прання бавовняних речей із звичайним ступенем забруднення. Ефективність циклу підвищується завдяки комбінованому споживанню енергії та води. Він має використовуватися для речей, які придатні для прання при температурі 40°C. Фактична температура прання може дещо відрізнитися від заявленої.

Для всіх Установ з проведення випробувань:

2) Програма тривалого прання речей з бавовни: встановити програму 9 з температурою 40°C.

3) Програма тривалого прання синтетичних речей: встановити програму 4 з температурою 40°C.

### Опції прання

! Якщо вибрана опція несумісна з заданою програмою, індикаторна лампа почне блимати й вибір не буде активованим.

#### Додаткове полоскання

При виборі цієї опції збільшується ефективність полоскання, забезпечуючи повніше видалення прального засобу. Вона є зручною для осіб зі шкірою, особливо чутливою до пральних засобів.

# Пральні засоби і білизна

UA

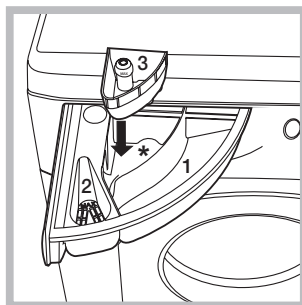
## Касета з пральним засобом

Добрий результат прання залежить також від правильного дозування прального засобу: надлишок прального засобу приведе до неефективного прання та сприятиме утворенню накипу всередині пральної машини, а також забрудненню довілля.

! Використовуйте порошкові пральні засоби для білих бавовняних речей, а також для попереднього прання або прання при температурі вище 60°C.

! Слідуйте вказівкам на упаковках пральних засобів.

! Не використовуйте засоби для ручного прання, тому що вони утворюють надто багато піни.



Витягніть касету для пральних засобів та додайте пральні засоби або засоби з догляду, як вказано нижче.

! Не поміщайте миючий засіб в центральний ванночка (\*).

### ванночка 1: Засіб для прання (порошковий чи рідкий)

Якщо використовується рідкий пральний засіб, рекомендується застосовувати вимірювальний компонент **A** з комплексу постачання для правильного дозування. При використанні порошкового прального засобу вставте цей компонент у нішу **B**.

### ванночка 2: Засоби з догляду (пом'якшувач, тощо)

Пом'якшувач не має витікати з решітки.

### додаткова ванночка 3: Відбілювач

## Підготовка білизни

- Розділіть білизну, враховуючи: тип тканини / позначку на етикетці. кольори: відокремте кольорові речі від білих.
- Перевірте кишені й гудзики.
- Не перевищуйте вказані значення щодо ваги сухої білизни: (див. "Таблиця програм").

### Скільки важить білизна?

- 1 просторадло 400-500 г
- 1 наволочка 150-200 г
- 1 скатертина 400-500 г
- 1 махровий халат 900-1200 г
- 1 рушник 150-250 г

## Особливі речі

**Антикорозійний:** Програма **1** призначена для прання дуже забруднених речей зі стійким фарбуванням. Програма гарантує вищий у порівнянні зі стандартним клас прання (клас A). Не застосовуйте у цій програмі речі різних кольорів. Рекомендуються використання миючих засобів у порошку. Стійкі плями краще обробити попередньо спеціальними засобами.

**Антикорозійний швидкий:** Програма розроблено для годинного циклу прання речей зі свіжими плямами, навіть стійкими, які з'явилися впродовж дня. Призначена для кольорових речей змішаного складу, гарантуючи їх збереження.

**Темні речі:** використовуйте програму **6** для прання речей темного кольору. программа розроблена з метою збереження темного кольору з часом. Кращі результати досягаються при використанні рідкого прального засобу для речей темного кольору.

**Делікатне:** використовуйте програму **7** для прання дуже делікатних речей, наприклад, зі стразами або іншими оздобленнями.

Перш ніж запускати прання, рекомендується повернути речі навиворіт і вкласти дрібні речі в спеціальний мішечок для прання делікатних речей. Кращі результати досягаються при використанні рідкого прального засобу для делікатних речей.

### Вовна - Woolmark Apparel Care - Green:

Цикл прання "Вовна" у цій пральній машині протестований і підтверджений компанією Woolmark для прання вовняних виробів, класифікованих для ручного прання, за умови дотримання інструкцій на етикетці виробу та вказівок від виробника цієї пральної машини. (M1128)



**Бавовна 20°C (програму 10):** ідеальна для бавовняних забруднених речей. Добре прання, в тому числі у холодній воді, яке можна порівняти з пранням при 40°, гарантується механічною роботою, яка здійснюється на змінній швидкості із частими повторюваними піками.

**Дитина:** використовуйте спеціальну програму **11** для видалення забруднень, типових для дітей, а також для видалення прального засобу з речей з метою запобігання алергічними реакціями тендітної шкіри малюків. Цикл розраховано для зменшення бактеріологічного потенціалу, за допомогою більшої кількості води та оптимізуючи ефект спеціальних гігієнізуючих присадок у миючому засобі.

**Протиалергічне прання:** використовуйте програму **12** для видалення основних алергенів, таких як пилок, кліщі, котятка і собача шерсть.

**Шовк:** використовуйте спеціальну програму **13** для прання шовкових речей. Рекомендуються використання спеціального миючого засобу для делікатних виробів.

**Штори:** рекомендується скласти та помістити у мішечок, що входить до комплексу постачання. Використайте програму **13**.

**Пухові речі:** Для прання виробів із наповненням гусячим пухом, таких як подушки, легкі куртки (які не перевищують за вагою 1 кг), використовуйте спеціальну програму **14**.

## Система балансування завантаження

Перед кожним віджимом, для запобігання надмірній вібрації та для рівномірного розподілу навантаження, барабан здійснює оберти на дещо більшій швидкості, ніж швидкість прання. Якщо по закінченні декількох спроб завантажені речі ще не були правильно відбалансовані, машина здійснює віджим на швидкості, нижчій від передбаченої. У випадку надмірної незбалансованості пральна машина здійснює розподіл замість віджиму. З метою оптимального розподілу завантаження та його правильного балансування рекомендується одночасне прання великих і малих речей.

Може трапитися так, що пральна машина не працюватиме. Перш ніж зателефонувати у Сервісний центр (див. "Допомога"), перевірте, чи не є дана несправність проблемою, що легко вирішується за допомогою наведеного нижче списку.

## Несправності:

**Пральна машина не вмикається.**

**Цикл прання не розпочинається.**

**Пральна машина не завантажує воду (на дисплеї розпочинає блимати напис "H2O").**

**Машина безперервно завантажує і зливає воду.**

**Пральна машина не зливає воду чи не віджимає.**

**Пральна машина дуже вібрує під час віджиму.**

**Пральна машина пропускає воду.**

**Індикаторні лампи "Опцій" та "ПУСК/ПАУЗА" блимають, та на дисплеї виводиться код несправності (напр.: F-01, F-..).**

**Утворюється занадто багато піни.**

## Можливі причини/Рішення:

- Вилка не вставлена в електричну розетку або вставлена не до кінця.
- У будинку немає електроенергії.

- Люк погано закрито.
- Кнопку ON/OFF не було натиснуто.
- Кнопку ПУСК/ПАУЗА не було натиснуто.
- Водопровідний кран закритий.
- Якщо відстрочення задане на час пуску.

- Шланг подачі води не під'єднано до водопровідного крану.
- Перегин у шлангу.
- Водопровідний кран закритий.
- У водопроводі немає води.
- Недостатній тиск.
- Кнопку ПУСК/ПАУЗА не було натиснуто.

- Зливний шланг не знаходиться на відстані від 65 до 100 см від підлоги (див. "Встановлення").
- Кінець зливного шланга занурений у воду (див. "Встановлення").
- Стінний каналізаційний злив не має віддушини для виходу повітря. Якщо після таких перевірок проблема залишається, закрийте водопровідний кран, вимкніть машину і зателефонуйте у Сервісний центр. Якщо квартира знаходиться на верхніх поверхах будинку, можливо, відбувається сифонний ефект, при якому машина безперервно завантажує й зливає воду. Щоб його ліквідувати, існують спеціальні антисифонні клапани, які можна придбати у торговельній мережі.

- Програма не передбачає зливання: в деяких програмах його необхідно робити вручну.
- Перегин зливного шланга (див. "Встановлення").
- Засмітився зливний шланг.

- Барабан, у момент встановлення, не був правильно розблокований (див. "Встановлення").
- Машина стоїть не на плоскій поверхні (див. "Встановлення").
- Машину затиснуто між меблями і стіною (див. "Встановлення").

- Погано пригвинчений шланг подачі води (див. "Встановлення").
- Забруднена касета для пральних засобів (очищення касетидив. "Технічне обслуговування і догляд").
- Погано закріплений зливний шланг (див. "Встановлення").

- Вимкніть машину й витягніть вилку з розетки, зачекайте близько 1 хвилини й увімкніть її знову. Якщо несправність не усунена, зателефонуйте у Сервісний центр.

- Пральний засіб не підходить для пральної машини (має бути напис "для машинного прання", "для ручного й машинного прання", або подібний).
- Перевищена доза прального засобу.



## Перш ніж зателефонувати у Сервісний центр:

- Перевірте, чи можна самостійно вирішити проблему (див. "Несправності і засоби їх усунення");
- Запустіть програму повторно, щоб перевірити чи усунуто несправність;
- Якщо несправність не усунуто, зверніться до Сервісного центру.

! Звертайтеся виключно до уповноважених фахівців.

## Слід повідомити:

- тип несправності;
- модель машини (Мод.);
- серійний номер (С/Н);

Цю інформацію ви знайдете на заводській табличці позаду пральної машини та в її передній частині, якщо ви відкриєте люк.

COMMISSION DELEGATED REGULATION (EU) No 1061/2010	
Торговельна марка	HOTPOINT/ARISTON
Модель	RSSF 603 EU
Номінальна завантаженість для стандартної програми прання бавовни, кг	6
Клас енергоефективності	A+++
Середньозважений річний обсяг енергоспоживання, кВт/г на рік <sup>1)</sup>	152
Обсяг споживання електроенергії при стандартній програмі "Бавовна 60°C" при повному завантаженні, кВт <sup>2)</sup>	0.803
Обсяг споживання електроенергії при стандартній програмі "Бавовна 60°C" при частковому завантаженні, кВт <sup>2)</sup>	0.583
Обсяг споживання електроенергії при стандартній програмі "Бавовна 40°C" при частковому завантаженні, кВт <sup>2)</sup>	0.545
Середньозважена споживча потужність в режимі "вимкнено", Вт	0.5
Середньозважена споживча потужність в режимі очікування, Вт	8
Середньозважений річний обсяг споживання води, літрів на рік <sup>3)</sup>	8400
Клас ефективності віджимання за шкалою від G (найменш ефективний) до A (найбільш ефективний)	C
Максимальна швидкість обертів барабана <sup>4)</sup>	1000
Залишковий вміст вологи <sup>5)</sup>	62.0%
Час виконання стандартної програми "Бавовна 60°C" при повному завантаженні, хвилин	200
Час виконання стандартної програми "Бавовна 60°C" при частковому завантаженні, хвилин	150
Час виконання стандартної програми "Бавовна 40°C" при частковому завантаженні, хвилин	145
Тривалість режиму очікування, хвилин	30
Рівень акустичного поширення шуму в повітрі під час прання, 1 пВт, дБА <sup>6)</sup>	62
Рівень акустичного поширення шуму в повітрі під час віджимання, 1 пВт, дБА <sup>6)</sup>	79
Вбудовані моделі	

<sup>1)</sup> З урахуванням 220 стандартних циклів прання для програми прання бавовни при температурі 60 і 40° С при повному та частковому завантаженні (фактичне споживання води залежить від використання побутової пральної машини)

<sup>2)</sup> Стандартні цикли прання "Бавовна 60°C" при повному або частковому завантаженні, та стандартний цикл прання "Бавовна 40°C" при частковому завантаженні є стандартними програмами прання, яких стосується інформація на етикетці. Стандартна програма прання бавовни при температурі 60 і 40° С є програмою для прання, очищення звичайно забрудненої бавовни і найбільш ефективною для споживання енергії та води. Часткове завантаження становить половину номінального завантаження.

<sup>3)</sup> З урахуванням 220 стандартних циклів прання для програми прання бавовни при температурі 60 і 40° С при повному та частковому завантаженні (фактичне споживання води залежить від використання побутової пральної машини).

<sup>4)</sup> визначається як мінімальна у результаті порівняння швидкості обертів барабана під час прання при температурі 60°C при повному завантаженні та температурі 40°C при частковому завантаженні;

<sup>5)</sup> визначається як максимальний у результаті порівняння залишкового вмісту вологи під час прання при температурі 60° С при повному завантаженні та температурі 40° С при частковому завантаженні

<sup>6)</sup> На підставі прання та віджимання для стандартного цикла "Бавовна 60°C" при повному завантаженні.