

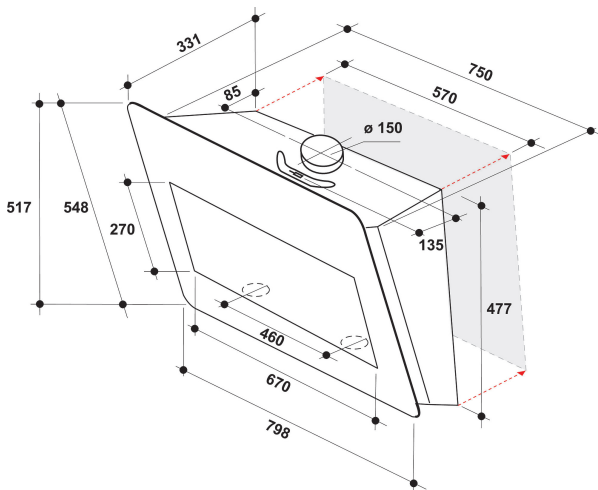
AKR 855/1 G BL

12NC: 859991550210

GTIN (EAN) code: 8003437233272

Whirlpool

SENSING THE DIFFERENCE



MAIN FEATURES

Product group	SPORÁKOVÉ ODSAVAČE PAR
Colour body	White
Material body	Glass
Colour chimney	N/A
Material chimney	N/A
Typology	Wall-mounted
Installation type	Wall-mounted
Type of control	Electronic
Type of control settings	-
Decor panel options	N/A
Motor location	Integrated motor in hood body
Operating Mode	Convertible
Electrical connection rating (W)	255
Current (A)	1,1
Voltage (V)	220-240
Frequency (Hz)	50
Length of Electrical Supply Cord (cm)	150
Plug type	Schuko
Chimney height (mm)	0
Height of product, without chimney (mm)	510
Height of the product	517
Width of the product	792
Depth of the product	329
Minimum niche height	0
Minimum niche width	0
Niche depth	0
Net weight (kg)	19

TECHNICAL FEATURES

Type of manual control devices	Backlit soft buttons
Type of automatic control devices	-
Number of motors	1
Total power of the motors (W)	250
Number of speed settings: boost option availability	3
Boost presence	Ne
Maximum output air extraction (m ³ /h)	625
Boost position air extraction (m ³ /h)	0
Maximum output recirculating air (m ³ /h)	415
Boost position output recirculating (m ³ /h)	0
Light Control Type	On/Off
Number of lights	2
Type of lamps used	LED
Total power of the lamps (W)	5
Diameter of air outlet (mm)	150
No-return airflow flap	Ne
Grease filter material	Washable aluminium
Odour filter	Ano

ENERGETICKÝ ŠTÍTEK

Sound power at min. speed (2010/30/EU)	44
Sound power at max. speed (2010/30/EU)	65
Noise level with boost position (dB(A) re 1 pW)	0