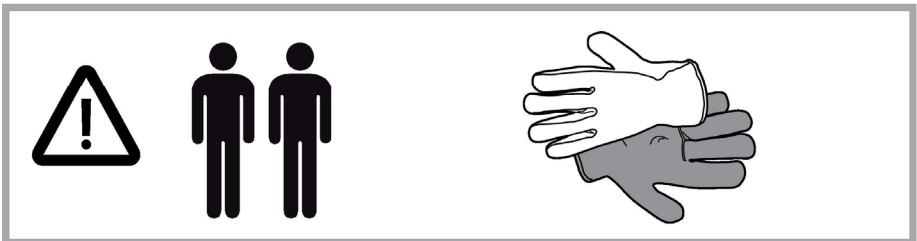
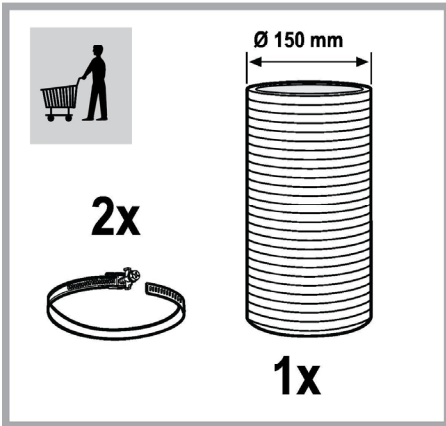
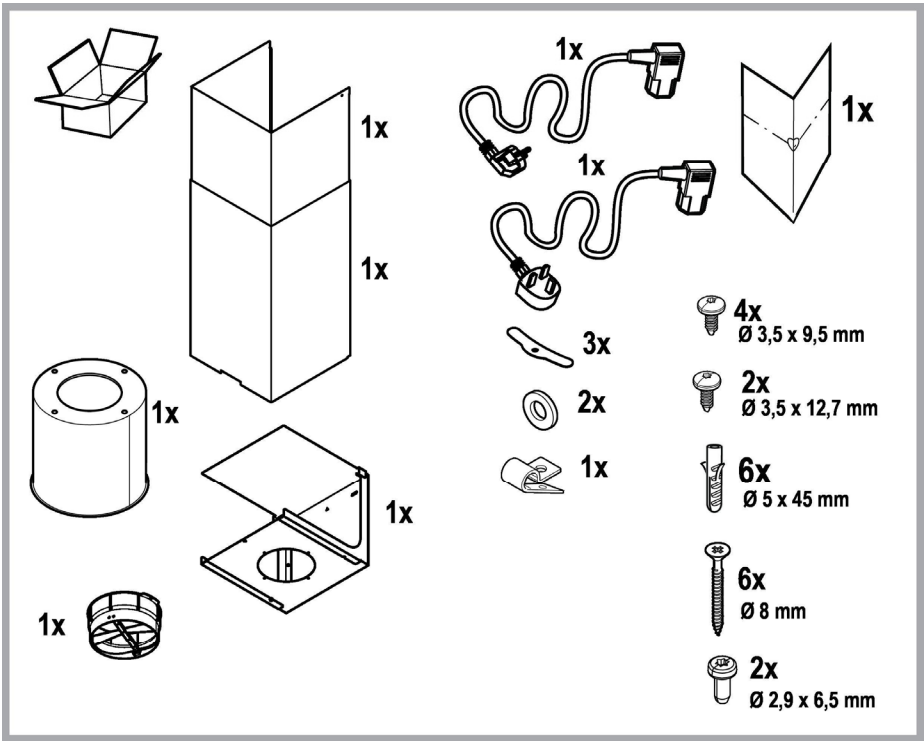
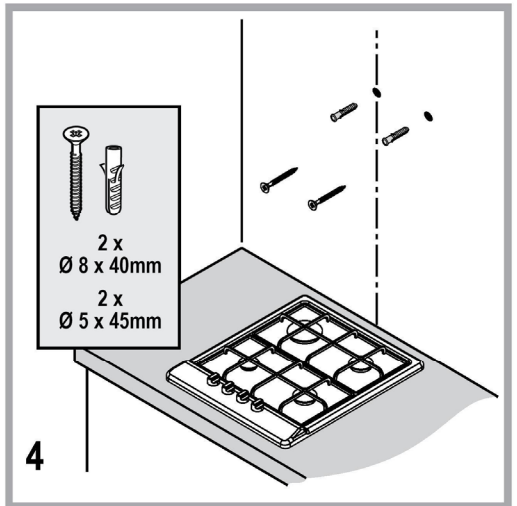
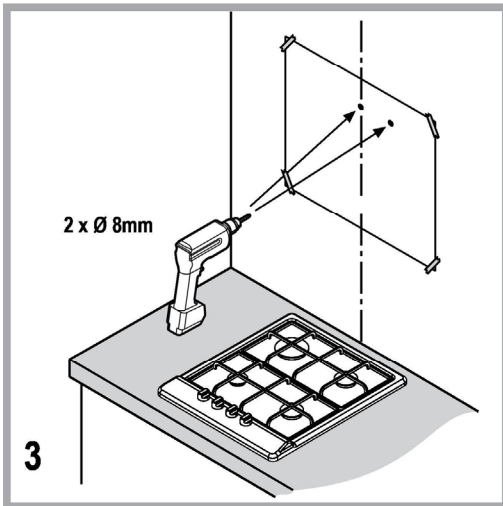
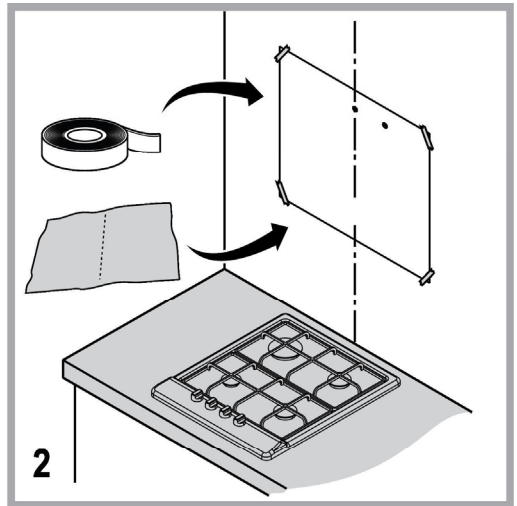
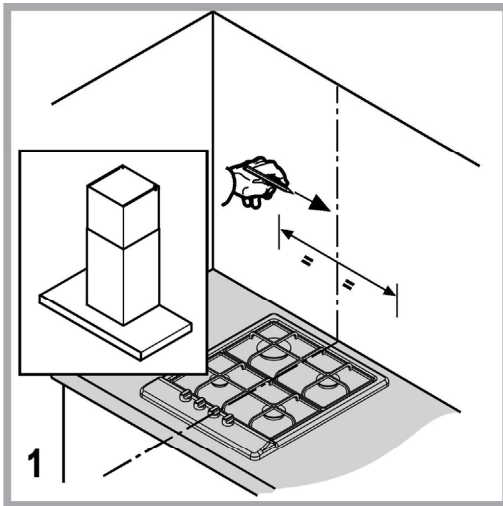
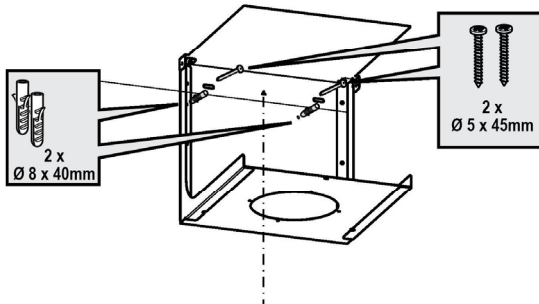
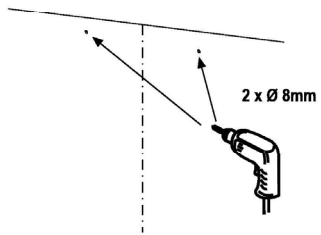
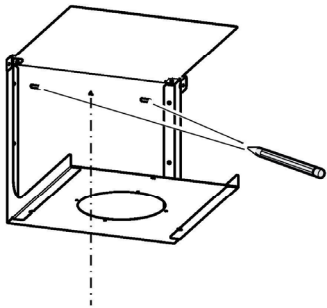
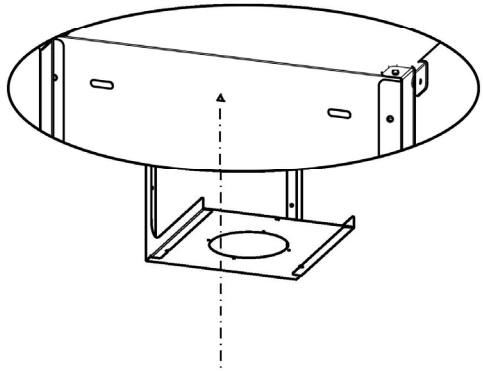
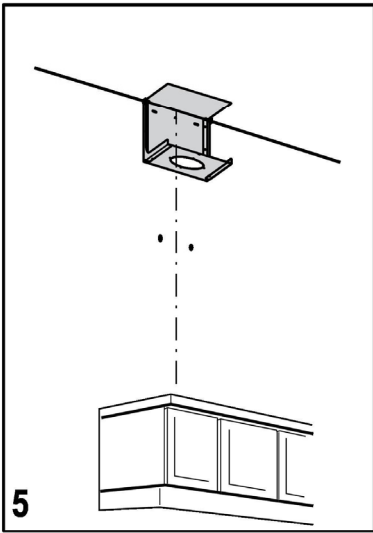


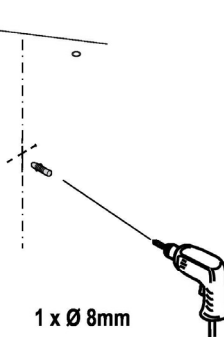
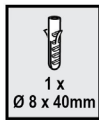
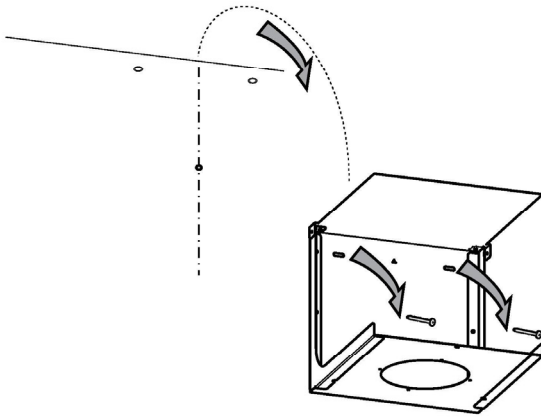
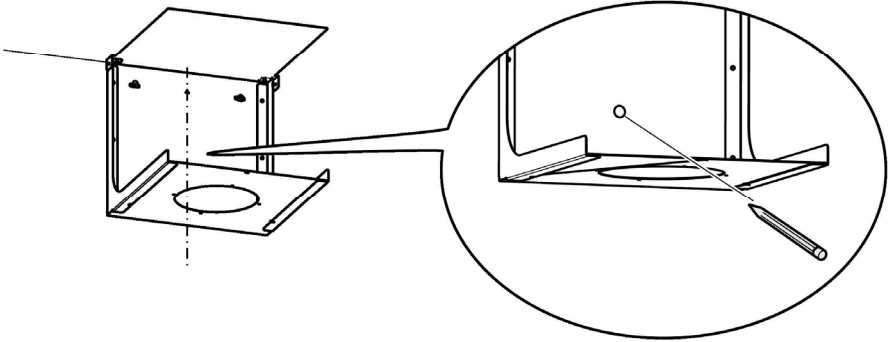
EN Instructions for use
DE Betriebsanleitung
FR Mode d'emploi
NL Gebruiksaanwijzingen
IT Istruzioni per l'uso
ES Instrucciones de uso
PT Instruções de uso
BG Ръководство за употреба
CS Návod k použití
DA Brugsanvisning
FI Käyttöohje
HU Használati útmutató
KK Пайдалану нұсқауы
NO Brugsanvisning
PL Instrukcja obsługi
RO Informații pentru utilizator
RU Инструкция по эксплуатации
SK Návod na používanie
SV Bruksanvisning
AR طرق الاستعمال

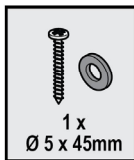
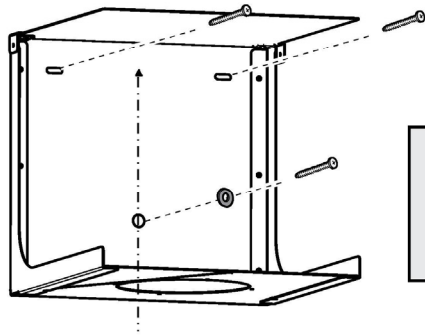
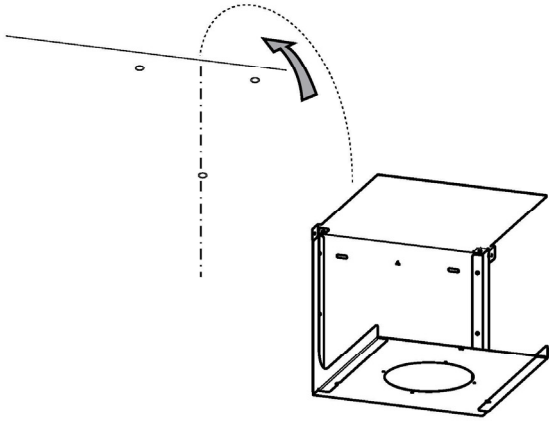
Whirlpool

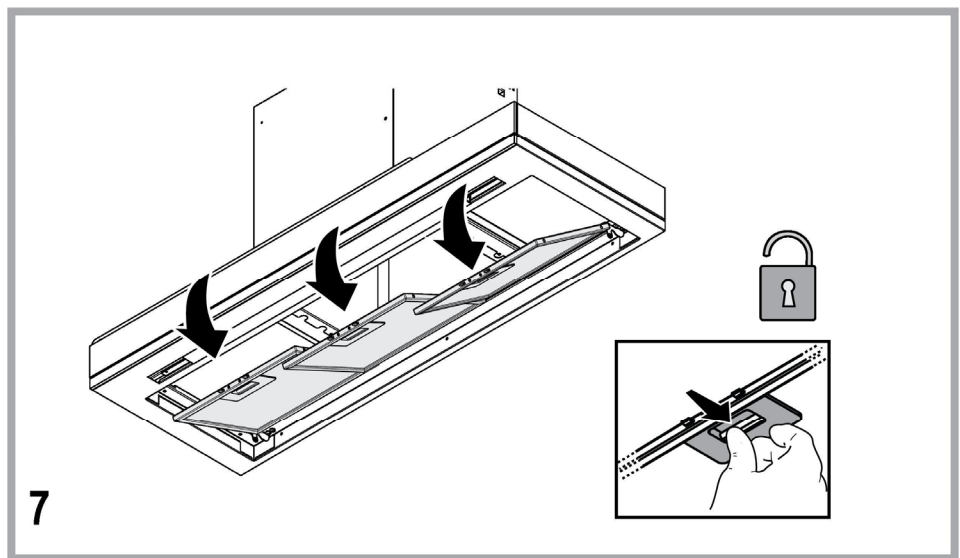
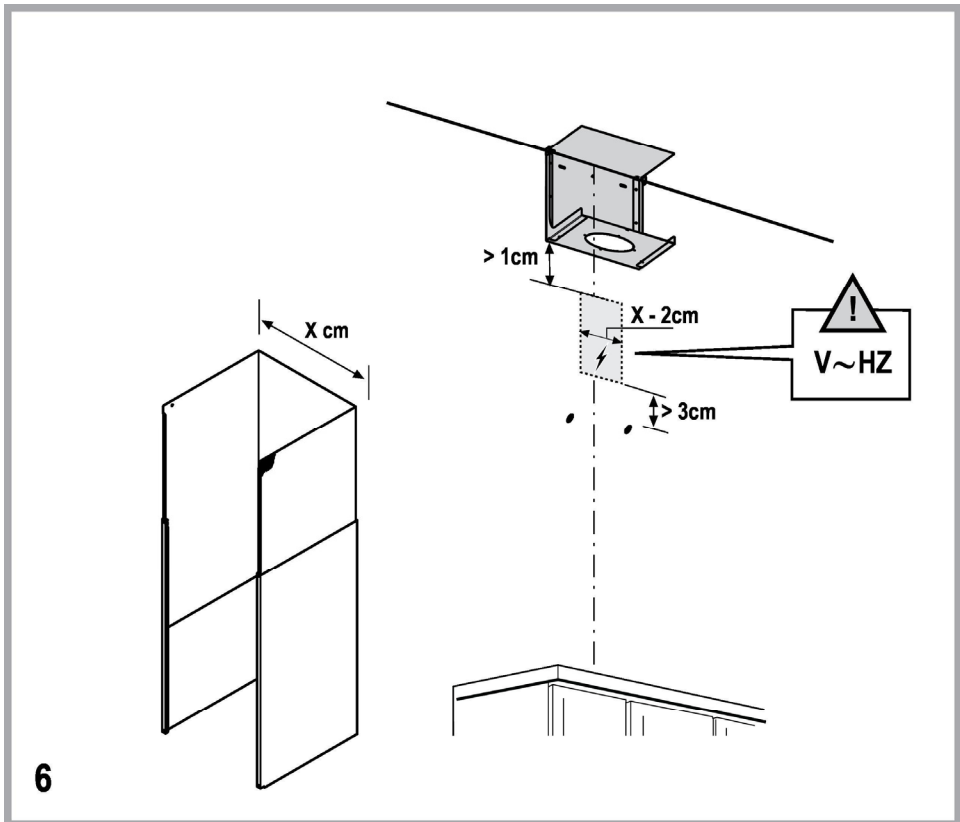


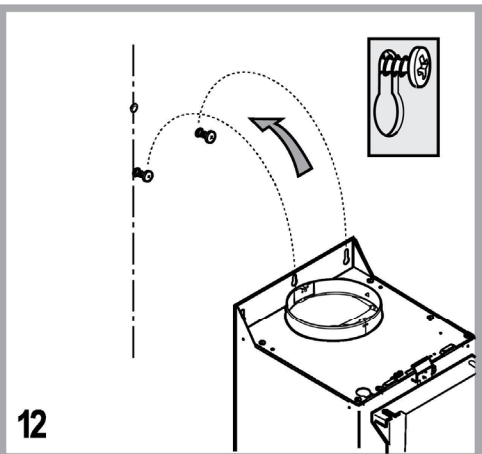
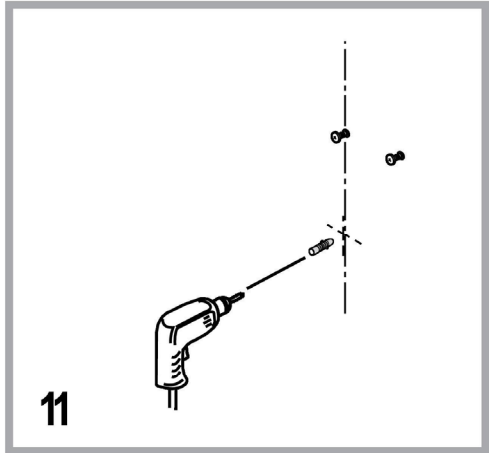
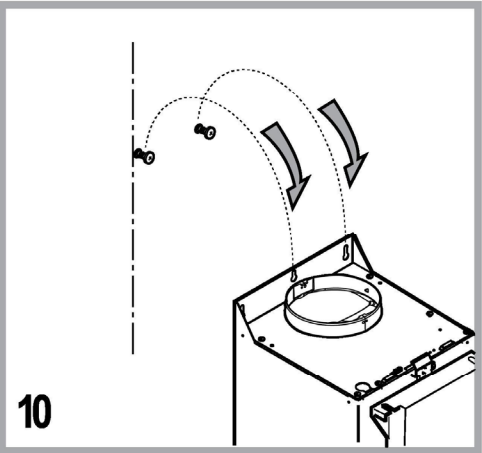
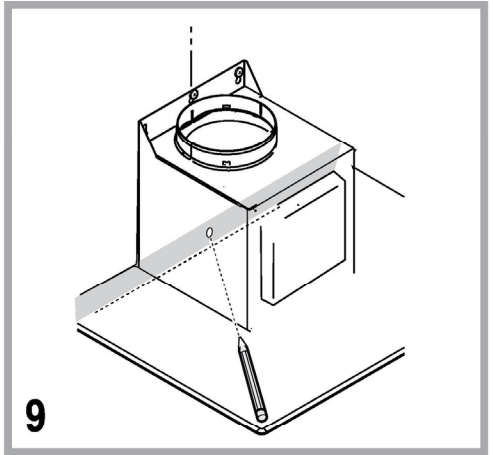
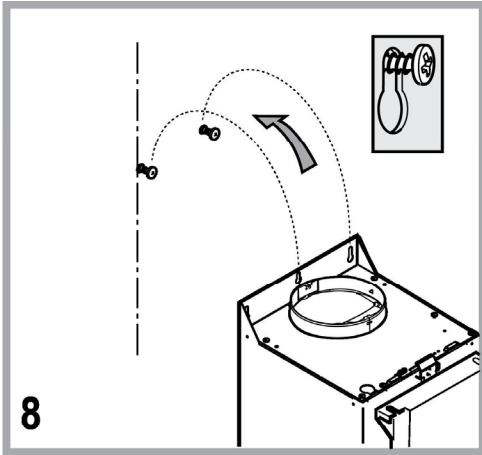


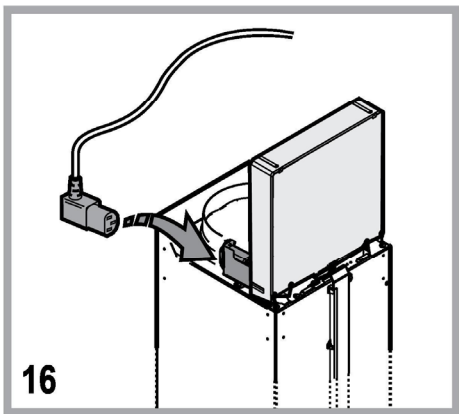
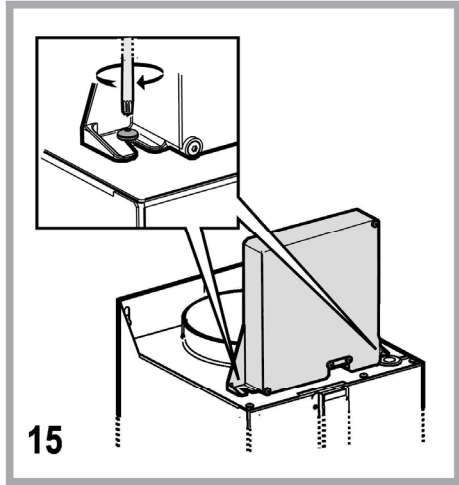
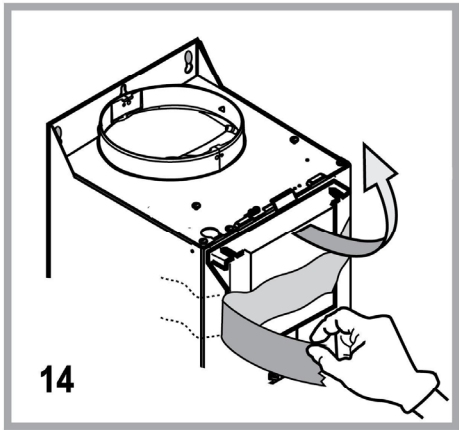
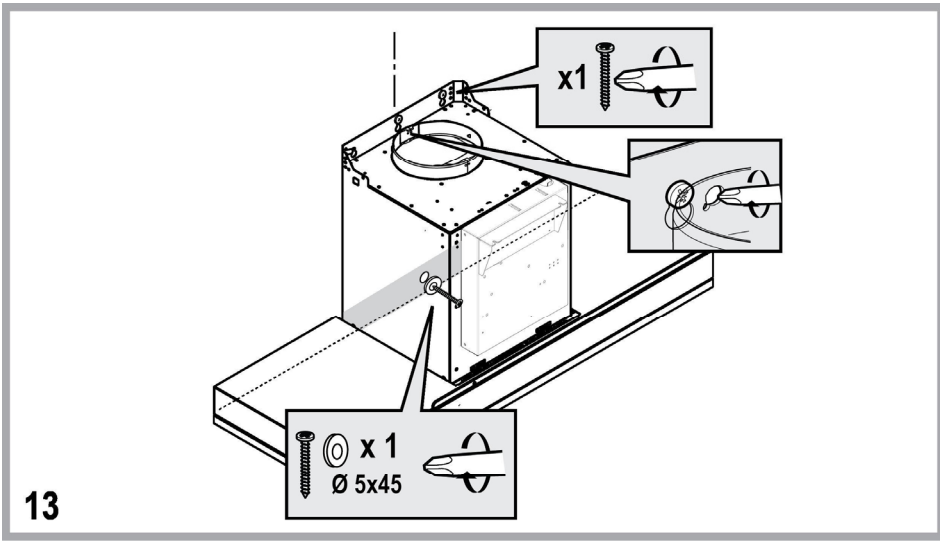


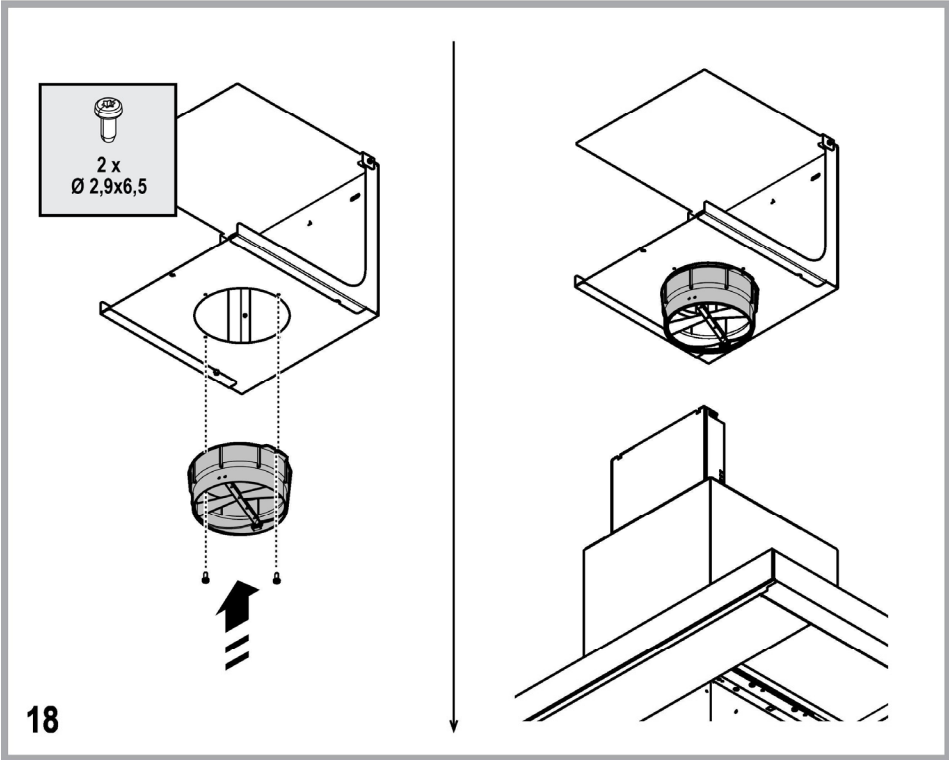
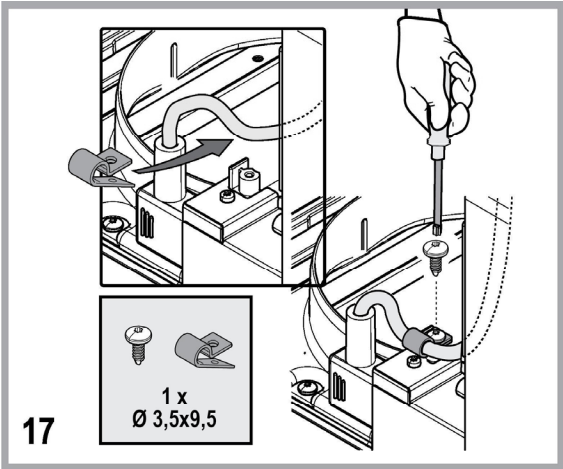


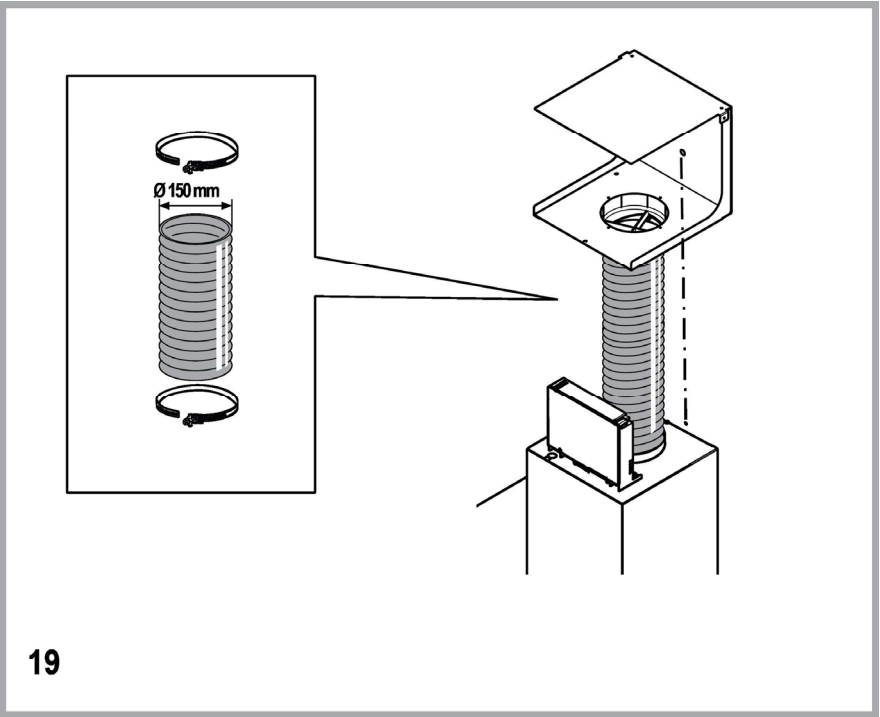




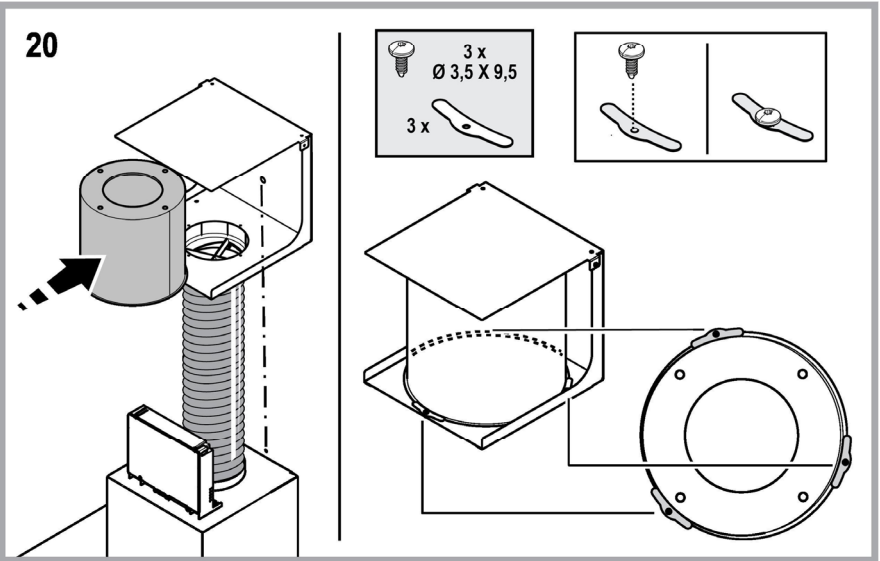




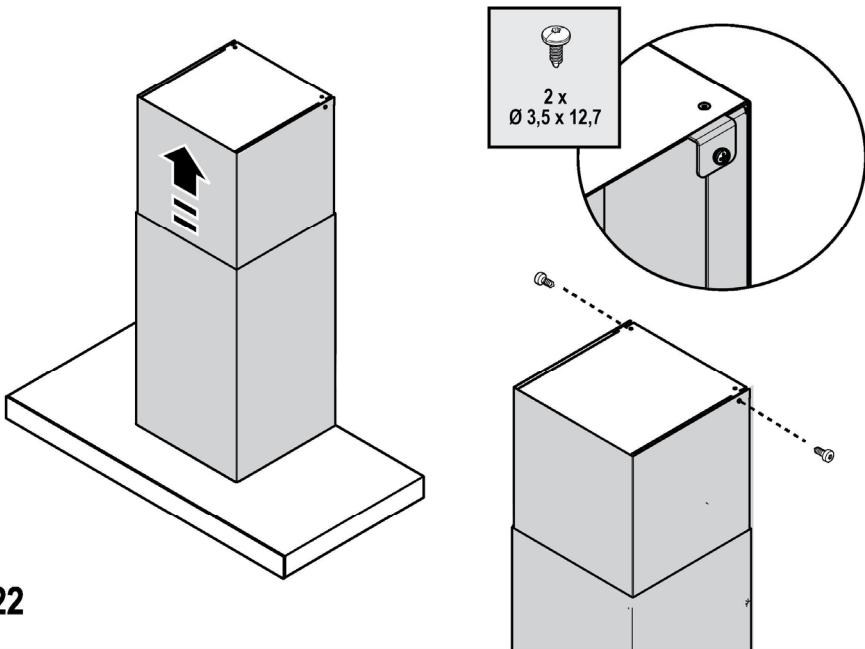
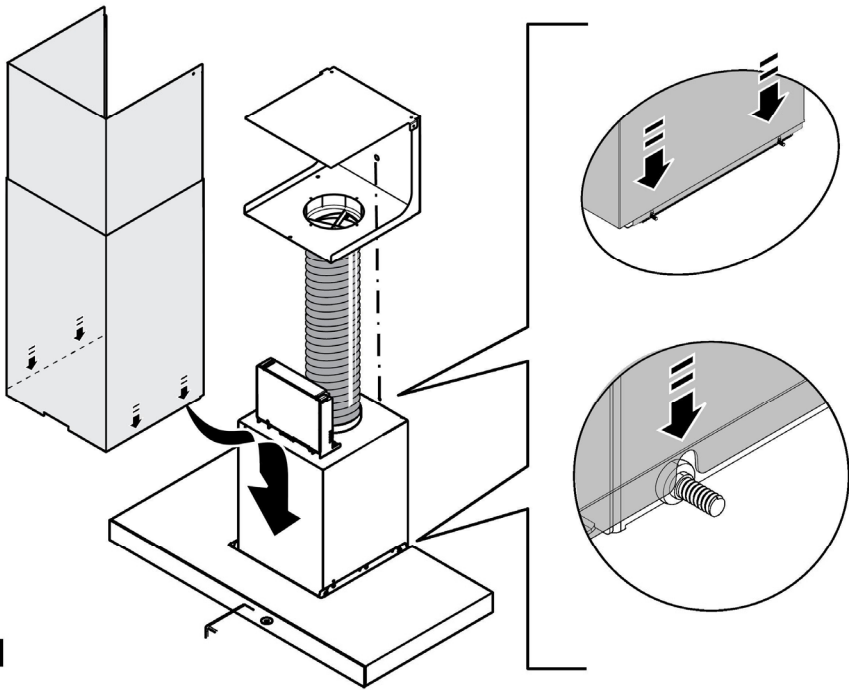


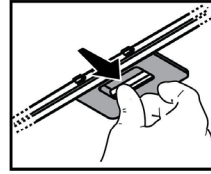
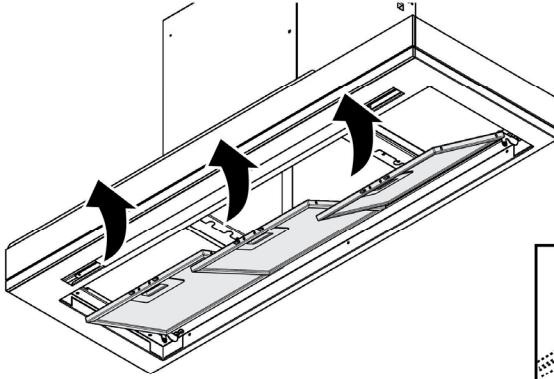


19

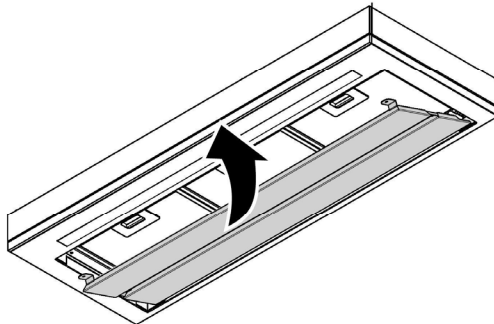
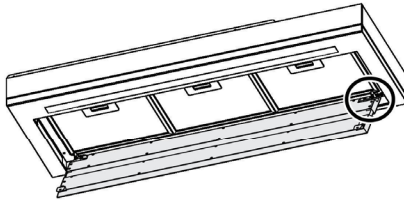
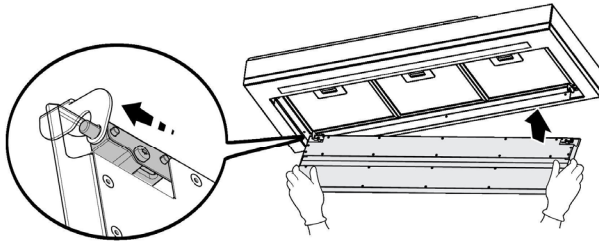


20





23



24

GENERAL SAFETY

- Before any cleaning or maintenance operation, disconnect hood from the mains by removing the plug or disconnecting the mains electrical supply.
- Always wear work gloves for all installation and maintenance operations.
- This appliance can be used by children aged from 8 years and above and persons with reduced physical, sensory or mental capabilities or lack of experience and knowledge if they have been given supervision or instruction concerning use of the appliance in a safe way and understand the hazards involved.
- Children shall not be allowed to tamper with the controls or play with the appliance.
- Cleaning and user maintenance shall not be made by children without supervision.
- The premises where the appliance is installed must be sufficiently ventilated, when the kitchen hood is used together with other gas combustion devices or other fuels.
- The hood must be regularly cleaned on both the inside and outside (AT LEAST ONCE A MONTH).
- This must be completed in accordance with the maintenance instructions provided. Failure to follow the instructions provided regarding the cleaning of the hood and filters will lead to the risk of fires.
- Do not flambé under the range hood.
- Do not remove filters during cooking.
- For lamp replacement use only lamp type indicated in the Maintenance/Replacing lamps section of this manual.

The use of exposed flames is detrimental to the filters and may cause a fire risk, and must therefore be avoided in all circumstances.

Any frying must be done with care in order to make sure that the oil does not overheat and ignite.

CAUTION: Accessible parts of the hood may become hot when used with cooking appliances.

- Do not connect the appliance to the mains until the installation is fully complete.
- With regards to the technical and safety measures to be adopted for fume discharging it is important to closely follow the regulations provided by the local authorities.
- The air must not be discharged into a flue that is used for exhausting fumes from appliance burning gas or other fuels.
- Do not use or leave the hood without the lamp correctly mounted due to the possible risk of electric shocks.
- Never use the hood without effectively mounted grids.
- The hood must NEVER be used as a support surface unless specifically indicated.
- Use only the fixing screws supplied with the product for installation or, if not supplied, purchase the correct screws type.
- Use the correct length for the screws which are identified in the Installation Guide.
- In case of doubt, consult an authorized service assistance center or similar qualified person.

WARNING!

- Failure to install the screws or fixing device in accordance with these instructions may result in electrical hazards.
- Do not use with a programmer, timer, separate remote control system or any other device that switches on automatically.

Very young children(0-3years)should be kept away from the appliance.Young children (3-8 years)should be kept away from the appliance unless continuously supervised.

⚠ CAUTION:The appliance is not intended to be operated by means of an external switching device, such as a timer, or separate remote controlled system.

⚠ This appliance is not for professional use. Do not use the appliance outdoors.

⚠ The appliance must be handled and installed by two or more persons-risk of injury.

⚠ Installation, including water supply (if any), electrical connections and repairs must be carried out by a qualified technician.

Once installed, packaging waste (plastic, styrofoam parts etc.) must be stored out of reach of children – risk of suffocation.

Do not use the appliance when you are wet or barefoot.

Never use steam cleaning equipment – risk of electric shock.



The packaging material is 100% recyclable and is marked with the recycle symbol

The hood can look different to that illustrated in the drawings in this booklet. The instructions for use, maintenance and installation, however, remain the same.

Closely follow the instructions set out in this manual. All responsibility, for any eventual inconveniences, damages or fires caused by not complying with the instructions in this manual, is declined. This appliance is intended to be used in household and similar application such as: - staff kitchen areas in shop, offices and other working environments; - farm houses; - by clients in hotels, motels and other residential type environments; - bed and breakfast type environments.

- It is important to conserve this booklet for consultation at any moment. In the case of sale, cession or move, make sure it is together with the product.
- Read the instructions carefully: there is important information about installation, use and safety.
- Do not carry out electrical or mechanical variations on the product or on the discharge conduits.
- Before proceeding with the installation of the appliance verify that there are no damaged all components. Otherwise contact your dealer and do not proceed with the installation.

The minimum distance between the supporting surface for the cooking equipment on the hob and the lowest part of the range hood must be not less than 50cm from electric cookers and 65cm from gas or mixed cookers.

If the instructions for installation for the gas hob specify a greater distance, this must be adhered to.

ELECTRICAL CONNECTION

The mains power supply must correspond to the rating indicated on the plate situated inside the hood. If provided with a plug connect the hood to a socket in compliance with current regulations and positioned in an accessible area, after installation. If it not fitted with a plug (direct mains connection) or if the plug is not located in an accessible area, after installation, apply a double pole switch in accordance with standards which assures the complete disconnection of the mains under conditions relating to over-current category III, in accordance with installation instructions.

⚠ WARNING!

Before re-connecting the hood circuit to the mains supply and checking the efficient function, always check that the mains cable is correctly assembled.

If the cable is not fitted with a plug, connect the wires according to the following table:

Mains voltage and frequency

Refer to the rating indicated on the plate inside of the hood

Wire connection



: yellow/green

N : blue

L : brown

Replacing the power cable

The hood is provided with a special power cable ; if the cable is damaged, request a new one from Technical Service.

AIR VENT

FILTERING OR DUCTING ?

Your cooker hood is designed to be used only in filtering version.

The aspirated air will be degreased and deodorised before being fed back into the room.

The filtering system provides a High Performance activated charcoal filter

Note: due to its technical characteristics, it is not possible to use the hood in the extraction mode

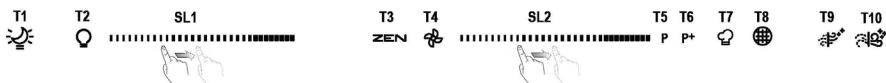
Important! To proceed with the installation it is necessary to use a tube of flexible type

Filter version

The aspirated air will be decreased and deodorised before being fed back into the room.
In order to use the hood in this version, you have to install a system of additional filtering based on activated charcoal.

CONTROLS

The hood is fitted with a control panel with aspiration speed selection control and a light switch to control cooking area lights.



- T1. ON/OFF "Night Light"
- T2. Main Light ON/OFF – Select the colour temperature
- T3. Operation "ZEN Mode"
- T4. Motor ON/OFF
- T5. "POWER BOOST 1" function
- T6. "POWER BOOST 2" function
- T7. Automatic Mode "Cook Sense"
- T8. Filter saturation indicator
- T9. ON/OFF operating mode "Daily Air Sense"
- T10. ON/OFF operating mode "Intensive Air Sense"

T1. ON/OFF "NIGHT LIGHT"

Press to switch the soft background lighting on or off.

T2. MAIN LIGHT ON/OFF – SELECT THE COLOUR TEMPERATURE

Press to switch the main light on or off.

- With the lights on, use your finger to swipe right or left over the **SL1** LED strip to increase or decrease the intensity of the light.

To set the colour temperature of the lighting

- Press (and hold) again,
 - use your finger to swipe right or left over the **SL1** LED strip to set the intensity of the light colder or warmer.
- If you do not change the colour for five seconds, **SL1** will flash at the colour setting you have selected and an audible signal will sound to indicate that the system has saved this configuration.
- Please note: The light will come on at the last intensity you set before switching the appliance off.

T3. OPERATION "ZEN MODE"

Press to activate or deactivate the "ZEN" **extraction** mode.

This function makes it possible to activate an extraction speed with the perfect balance between quietness and extraction efficiency.

T4. MOTOR ON/OFF

Press to switch the **extraction motor** on or off.

- With the motor on, use your finger to swipe right or left over the **SL2** LED strip to increase or decrease the extraction speed.

T5. "POWER BOOST 1" FUNCTION

With the extraction motor on, press T5 to activate the "**POWER BOOST 1**" **intensive extraction** speed (time-controlled).

Please note: the hood will go back to running at the speed it was previously using after five minutes.

T6. "POWER BOOST 2" FUNCTION"

With the extraction motor on, press T6 to activate the "**POWER BOOST 2**" **intensive extraction** speed (time-controlled).

Please note: the hood will go back to running at the speed it was previously using after five minutes.

T7. AUTOMATIC MODE "COOK SENSE"

The hood will increase the extraction speed to 1 automatically if the sensor in the hood detects that the ambient conditions require this.

If the ambient conditions do not change – and the hood is already using extraction speed 1 – the hood will switch off after five minutes.

Please note: to make sure this function is used correctly, please **configure the parameters for automatic mode** first as described

in the relevant section.

Please note: when using automatic mode, if you change any other functions that control the speed, the “Cook Sense” function will switch off.

T8. FILTER SATURATION INDICATORS

At regular intervals, the hood signals the need to perform filter maintenance.

Please note: The indicators will only work when the hood is on.

T8 button lit: Carry out maintenance on the grease filter.

T8 button flashing: carry out maintenance of the charcoal filter.

Resetting the filter saturation indicators:

Please note: This must be done with the hood switched on.

Press and hold the **T8** button.

Activating the carbon filter saturation indicator

Please note: This must be done with the extraction motor switched off.

This indicator is usually deactivated – press and hold the **T3** and **T10** buttons simultaneously to activate the function: The buttons will light up to indicate activation.

To deactivate the function, press and hold the same buttons (**T3** and **T10**) again: The buttons will flash briefly and then switch off to indicate deactivation.

T9. ON/OFF OPERATING MODE “DAILY AIR SENSE”

The hood will increase the extraction speed to **1** automatically if the sensor in the hood detects that the ambient conditions require this.

If the extraction speed does not change owing to the ambient conditions detected, the hood will switch off after two hours.

The hood will switch off in any case after five hours in use, regardless of the operating mode.

Please note: to make sure this function is used correctly, please **configure the parameters for automatic mode** first as described in the relevant section.

T10. ON/OFF OPERATING MODE “INTENSIVE AIR SENSE”

The hood will increase the extraction speed to **5** automatically if the sensor in the hood detects that the ambient conditions require this.

If the extraction speed does not change owing to the ambient conditions detected, the hood will switch off after two hours.

The hood will switch off in any case after five hours in use, regardless of the operating mode.

Please note: to make sure this function is used correctly, please **configure the parameters for automatic mode** first as described in the relevant section.

CONFIGURING THE PARAMETERS FOR AUTOMATIC MODE

To make sure that automatic mode is used correctly, you will need to calibrate the hood and select the hob type.

Calibrating the hood

Please note: this must be done with the appliance on standby, i.e. one minute after switching off the motor.

Press and hold the **T4** button for five seconds.

Extraction speed **1** will come on and the **T4** button will flash to indicate that hood calibration has started (this will take approximately 15 minutes).

Please note: To stop the calibration process, press and hold the **T4** button for five seconds. Calibration will then be invalidated and will therefore need to be repeated.

Please note: Calibration will be carried out automatically when the power supply to the product is switched on for the first time. **T4** will flash. Wait 15 minutes for calibration to complete.

Selecting the hob type

Please note: this must be done with the appliance on standby, i.e. one minute after switching off the motor.

Press and hold the **T9** and **T10** buttons for five seconds.

The **T9** and **T10** buttons will light up.

If using gas to power the hob, press the **T9** button – the button will flash to indicate that this has been selected.

If using electricity to power the hob, press the **T10** button – the button will flash to indicate that this has been selected.

Once pressed, the button will flash for three seconds to indicate that your selection has been saved.

MAINTENANCE

Cleaning

Clean using **ONLY** a cloth dampened with neutral liquid detergent. **DO NOT CLEAN WITH TOOLS OR INSTRUMENTS.** Do not use abrasive products. **DO NOT USE ALCOHOL!**

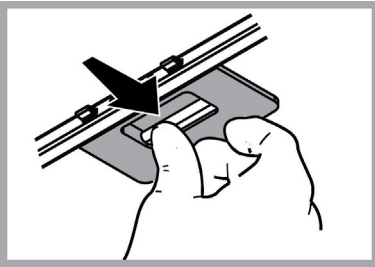
Maintenance of the anti-grease filters

Traps cooking grease particles.

This must be cleaned once a month (or when the filter saturation indication system – if envisaged on the model in possession – indicates this necessity) using non aggressive detergents, either by hand or in the dishwasher, which must be set to a low temperature and a short cycle.

When washed in a dishwasher, the grease filter may discolor slightly, but this does not affect its filtering capacity.

To remove the grease filter, pull the spring release handle.



Maintenance of the charcoal filter

It absorbs unpleasant odors caused by cooking.

The saturation of the charcoal filter happens after a more or less prolonged use, depending on the type of cooking and the regularity of cleaning the grease filter.

In any case, you need to replace the cartridge at least every 5 years.

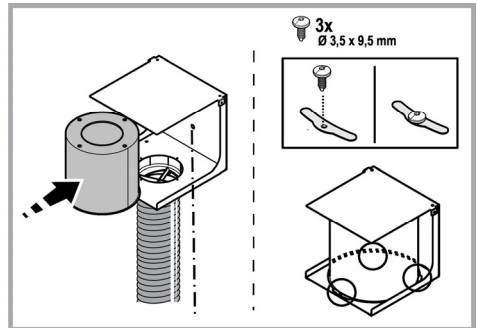
It **CANNOT** be washed or regenerated

To obtain excellent suction performance, the filter is larger than the standard filters and is installed on a support above the hood.

Fitting or replacing the carbon filter

1. Disconnect the hood from the mains.
2. Insert the cylindrical filter inside the support.
3. Secure the filter with the screws and plates provided with the appliance.

Proceed in reverse order to remove.



Replacing lamps

The hood is equipped with a lighting system based on LED technology.


The LEDs guarantee an optimum lighting, a duration up to 10 times longer than the traditional lamps and allow to save 90% electrical energy.

To replace lights, contact authorised spare part center.

DISPOSAL

- This appliance is marked according to the European directive 2012/19/EC on Waste Electrical and Electronic Equipment (WEEE).
- By ensuring this product is disposed of correctly, you will help prevent potential negative consequences for the environment and human health, which could otherwise be caused by inappropriate waste handling of this product.



- The symbol  on the product, or on the documents accompanying the product, indicates that this appliance may not be treated as household waste. Instead it should be taken to the appropriate collection point for the recycling of electrical and electronic equipment. Disposal must be carried out in accordance with local environmental regulations for waste disposal.
- For further detailed information regarding the process, collection and recycling of this product, please contact the appropriate department of your local authorities or the local department for household waste or the shop where you purchased this product.

Appliance designed, tested and manufactured according to:

- Safety: EN/IEC 60335-1; EN/IEC 60335-2-31, EN/IEC 62233.
- Performance: EN/IEC 61591; ISO 5167-1; ISO 5167-3; ISO 5168; EN/IEC 60704-1; EN/IEC 60704-2-13; EN/IEC 60704-3; ISO 3741; EN 50564; IEC 62301.
- EMC: EN 55014-1; CISPR 14-1; EN 55014-2; CISPR 14-2; EN/IEC 61000-3-2; EN/IEC 61000-3-3. Suggestions for a correct use in order to reduce the environmental impact: Switch ON the hood at minimum speed when you start cooking and kept it running for few minutes after cooking is finished. Increase the speed only in case of large amount of smoke and vapor and use boost speed(s) only in extreme situations. Replace the charcoal filter(s) when necessary to maintain a good odor reduction efficiency. Clean the grease filter(s) when necessary to maintain a good grease filter efficiency. Use the maximum diameter of the ducting system indicated in this manual to optimize efficiency and minimize noise.

MALFUNCTIONS

If something appears not to be working properly, do the following simple checks before calling Technical Service:

- If the hood is not working:
Check that:
 - The power has not been disconnected.
 - A speed has been selected.
- If the hood performs inefficiently:
Check that:
 - The motor speed selected is sufficient for the amount of smoke and vapours released.
 - The kitchen is sufficiently ventilated to allow air intake.
 - The charcoal filter is not worn (hood in filtering version).
- If the hood has turned off during normal functioning:
Check that:
 - The power has not been disconnected.
 - the omnipolar disconnection device has not tripped.

If the hood fails to operate correctly, briefly disconnect it from the mains power supply for almost 5 sec. Then connect it in again and try once more before contacting the Technical Assistance Service.

TECHNICAL DATA

Height (cm)	Width (cm)	Depth (cm)	Ø of the exhaust tube (cm)
110-129,5	89,8	32	15

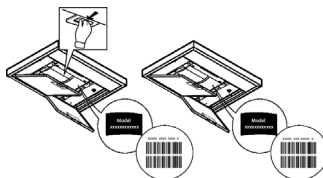


Components not provided with the product



You can download the Safety Instructions, User Manual, Product Fiche and Energy data by:

- Visiting our website docs.whirlpool.eu
- Using QR Code
- Alternatively, **contact our After-sales Service** (See phone number in the warranty booklet). When contacting our After-sales Service, please state the codes provided on your product's identification plate.



ALLGEMEINE SICHERHEIT

- Vor jeglicher Reinigung bzw. Wartung muss das Gerät vom Stromnetz getrennt werden, indem man den Stecker herauszieht bzw. den Hauptschalter ausschaltet.
 - Alle Installations- und Wartungsarbeiten sind mit Arbeitshandschuhen durchzuführen.
 - Das Gerät kann von Kindern ab 8 Jahren, sowie von Menschen mit verringerten physischen, sinnlichen oder psychischen Fähigkeiten (oder ohne Erfahrung und Kenntnisse) benutzt werden, sofern sie entsprechend überwacht werden bzw. in die Benutzung des Geräts sicher eingewiesen wurden und sich der damit verbundenen Gefahren bewusst sind.
 - Darauf achten, dass Kinder mit dem Gerät nicht spielen. Kinder dürfen bei Reinigung und Wartung nur dann helfen, wenn sie dabei beaufsichtigt werden.
 - Der Raum muss ausreichend belüftet sein, wenn die Dunstabzugshaube zusammen mit anderen Gas- bzw. Brennstoffgeräten verwendet wird.
 - Die Dunstabzugshaube muss regelmäßig von innen und außen gereinigt werden (MINDESTENS EINMAL IM MONAT), außerdem sollten die Anweisungen zur Wartung befolgt werden. Das nicht befolgen der Normen zur Reinigung der Dunstabzugshaube, das nicht befolgen der Hinweise zur Reinigung und zum Austausch von Filtern führt zu Brandgefahr.
 - Es ist streng verboten, Speisen auf Kochstellen mit offener Flamme unter der Dunstabzugshaube zu kochen.
 - Für den Lampenersatz verwenden Sie nur den Lampentyp, der in dem Absatz Lampenwartung / Ersatz des vorliegenden Handbuchs angegeben wird. Die Verwendung von offener Flamme schadet den Filtern und kann zu Brandgefahr führen, daher ist sie in jedem Fall zu vermeiden. Das Frittieren muss mit Vorsicht durchgeführt werden, um zu vermeiden, dass das überhitzte Öl Feuer fängt.
- ACHTUNG:** Ist das Kochfeld in Betrieb, können zugängliche Teile der Dunstabzugshaube heiß werden.
- Das Gerät nicht an das Stromnetz anschließen, bis die Installation vollständig abgeschlossen ist.

Für das Ableiten der Küchengerüche halten Sie sich an die Vorschriften der örtlichen Behörde.

- Bei gleichzeitigem Betrieb der Dunstabzugshaube im Abluftbetrieb und gas- oder brennstoffbetriebenen Geräten darf im Aufstellraum der Geräte der Unterdruck nicht größer als 4 Pa (4×10^{-5} bar) sein.
- Die Abluft darf nicht in einen Kamin geleitet werden, der zugleich Abgase von der Verbrennung von Gas oder anderen Brennstoffen führt.
- Benutzen Sie die Haube nicht ohne korrekt montierte Lampen, um Stromschlaggefahr zu vermeiden.
- Die Dunstabzugshaube niemals ohne richtig installiertes Gitter verwenden!
- Die Dunstabzugshaube darf NIEMALS als Auflagefläche verwendet werden, sofern es nicht ausdrücklich angegeben ist.
- Verwenden Sie nur die mit dem Produkt für die Installation mitgelieferten Schrauben, oder, falls nicht im Lieferumfang enthalten, kaufen Sie den richtigen Schraubentyp.
- Die Länge für die Schrauben verwenden, die im Installationshandbuch angegeben wird.
- Im Zweifelsfall, fragen Sie Ihren autorisierten Kundendienst oder ein ähnliches Fachpersonal.

▲ ACHTUNG!

- Schrauben und Befestigungselemente, die nicht in Übereinstimmung mit diesen Hinweisen sind, können zur elektrischen Gefährdung führen.
- Nicht mit einem externen Timer, einer Schaltuhr oder einer Fernbedienung oder jeglicher anderer Vorrichtung, die sich automatisch aktiviert, verwenden.

Halten Sie Kinder unter 3 Jahren fern vom Gerät. Ohne die ständige Aufsicht eines Erwachsenen Kinder unter 8 Jahren nicht in Reichweite des Geräts lassen.

▲ ACHTUNG: Das Gerät darf nicht über ein externes Gerät oder mit einer Fernbedienung in Betrieb gesetzt werden.

▲ Dieses Gerät ist nicht für den professionellen Gebrauch. Das Gerät nicht im Freien benutzen.

▲ Um Verletzungen zu vermeiden, muss das Gerät von zwei oder mehreren Personen bewegt und installiert werden.

▲ Die Installation, die auch Anschlüsse an das Wasserversorgungsnetz (wenn vorgesehen) und an das Stromnetz beinhaltet, und Reparaturen müssen von Fachpersonal ausgeführt werden.

Nach abgeschlossener Installation das Verpackungsmaterial (Plastik, Polystyrol usw.) außerhalb der Reichweite von Kindern aufbewahren, um Erstickungsgefahr zu vermeiden.

Das Gerät nicht benutzen, wenn man nass oder barfuß ist.

Das Gerät niemals mit Dampf reinigen - Stromschlaggefahr.



Das Verpackungsmaterial ist 100% recycelbar und mit dem Recycling-Zeichen gekennzeichnet.

Die Dunstabzugshaube kann anders aussehen als auf den Abbildungen in der vorliegenden Bedienungsanleitung. Die Bedienungsanleitungen, die Wartung und die Installation sind aber gleich.

Die Anweisungen, die in diesem Handbuch gegeben werden, müssen strikt eingehalten werden. Es wird keinerlei Haftung übernommen für mögliche Mängel, Schäden oder Brände der Dunstabzugshaube, die auf die Nichtbeachtung der Vorschriften in diesem Handbuch zurückzuführen sind. Die Dunstabzugshaube wurde für die Absaugung der beim Kochen entstehenden Dünste und Dämpfe entwickelt. Sie ist nur für den Hausgebrauch geeignet.

- Die Bedienungsanleitung muss aufbewahrt werden, damit jederzeit ein Nachschlagen möglich ist. Bei Verkauf, Abtretung oder Umzug muss die Bedienungsanleitung immer beim Produkt bleiben.
- Die Bedienungsanleitung muss aufmerksam gelesen werden, da sie wichtige Informationen über Installation, Gebrauch und Sicherheit enthält.
- Es dürfen keine elektrischen oder mechanischen Änderungen am Gerät oder an den Abluftleitungen vorgenommen werden.
- Vergewissern Sie sich vor der Installation, dass das Gerät keine Transportschäden aufweist. Bei auftretenden Problemen setzen Sie sich bitte mit Ihrem Händler in Verbindung.

Der Abstand zwischen der Abstellfläche auf dem Kochfeld und der Unterseite der Dunstabzugshaube darf 50 cm im Fall von elektrischen Kochfeldern und 65 cm im Fall von Gas- oder kombinierten Herden nicht unterschreiten.

Wenn die Installationsanweisungen des Gaskochgeräts einen größeren Abstand vorgeben, ist dieser zu berücksichtigen.

ELEKTRISCHER ANSCHLUSS

Die Netzspannung muss der Spannung entsprechen, die auf dem Typenschild im Innern der Haube angegeben ist. Sofern die Haube einen Netzstecker hat, ist dieser an zugänglicher Stelle an eine den geltenden Vorschriften entsprechende Steckdose nach der Montage anzuschließen. Bei einer Haube ohne Stecker (direkter Netzanschluss) oder falls der Stecker nicht zugänglich ist, ist ein normgerechter zweipoliger Schalter nach der Montage anzubringen, der unter Umständen der Überspannung Kategorie III entsprechend den Installationsregeln ein vollständiges Trennen vom Netz garantiert.


▲ HINWEIS!

Vor der Inbetriebnahme muss sichergestellt werden, dass die Netzversorgungsleitung (Steckdose) ordnungsgemäß montiert wurde. Wenn das Kabel keinen Stecker hat, die Drähte entsprechend der folgenden Tabelle verbinden:

Netzspannung und Frequenz

Lesen Sie den Wert auf dem Aufkleber mit den Geräteeigenschaften auf der Innenseite der Kappe.

Verdrahtung

 :gelb/grün
N : Blau
L : Braun

Austausch des Netzkabels

Die Dunstabzugshaube ist mit einem Spezialkabel ausgestattet. Sollte das Kabel beschädigt werden, muss beim Kundendienst Ersatz angefordert werden.

ABLEITUNG DER ABLUFT

UMLUFT- ODER ABLUFTBETRIEB ?

Ihr Kochgerät ist nur für den Betrieb in der Umluftversion konzipiert.

Die angesaugte Luft wird zuvor entfettet und desodoriert werden, bevor sie wieder in den Raum zugeführt wird.

Das Umluftsystem bietet einen hochleistungsfähigen Aktivkohlefilter.

Hinweis: Aufgrund ihrer technischen Eigenschaften kann die Dunstabzugshaube nicht im Absaugbetrieb verwendet werden.

Wichtig! Um die Installation durchzuführen, muss ein Schlauch verwendet werden.

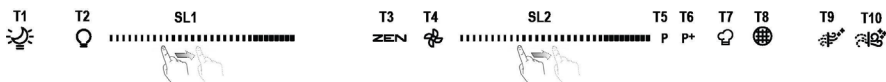
Umluftbetrieb

Die angesaugte Luft wird zuvor entfettet und desodoriert werden, bevor sie wieder in den Raum zugeführt wird.

Um die Abzugshaube in dieser Version zu verwenden, müssen Sie ein zusätzliches Filtersystem, welches auf Aktivkohle basiert, installieren.

BEDIENELEMENTE

Die Dunstabzugshaube ist mit einer Bedienungsblende ausgestattet, die mit einer Steuerung für die Ansaugstärke bzw. -geschwindigkeit, sowie einer Steuerung zur Einstellung der Arbeitsplatzbeleuchtung versehen ist.



T1. „Nachtlicht“ EIN/AUS

T2. Kochstellenlichter EIN/AUS – Die Farbtemperatur auswählen

T3. Betrieb im „ZEN-Modus“

T4. Motor EIN/AUS

T5. Funktion „LEISTUNGSERHÖHUNG 1“

T6. Funktion „LEISTUNGSERHÖHUNG 2“

T7. Automatik-Modus „Cook Sense“

T8. Filtersättigungsanzeige

T9. Betriebsart „Daily Air Sense“ EIN/AUS

T10. Betriebsart „Intensive Air Sense“ EIN/AUS

T1. „NACHTLICHT“ EIN/AUS

Drücken zum Ein- oder Ausschalten des weichen Hintergrundlichtes.

T2. KOCHSTELLENLICHTER EIN/AUS – DIE FARBTEMPERATUR AUSWÄHLEN

Drücken zum Ein- oder Ausschalten der Kochstellenbeleuchtung.

• Bei eingeschalteten Lichtern, wischen Sie mit Ihrem Finger rechts oder links über den **SL1** LED-Streifen, um die Lichtstärke zu erhöhen oder zu verringern.

Einrichten der Farbtemperatur der Beleuchtung

• Gedrückt halten,

• wischen Sie mit Ihrem Finger rechts oder links über den **SL1** LED-Streifen, um die Lichtstärke kälter oder wärmer einzustellen.

Wenn Sie die Farbe nicht innerhalb von fünf Sekunden ändern, blinkt **SL1** an der Farbeinstellung, die Sie auswählen müssen und ein Warnton ertönt, um anzugeben, dass das System diese Konfiguration gespeichert hat.

Bitte beachten: Das Licht schaltet sich mit der letzten Stärke ein, die Sie vor dem Ausschalten des Gerätes eingestellt haben.

T3. BETRIEB IM „ZEN-MODUS“

Drücken, um den „ZEN“ **Absaug** modus zu aktivieren oder zu deaktivieren.

Diese Funktion ermöglicht es, eine Absauggeschwindigkeit mit dem perfekten Ausgleich zwischen Stille und Absaugleistung zu aktivieren.

T4. MOTOR EIN/AUS

Drücken, um den **Absaugmotor** ein- oder auszuschalten.

• Wischen Sie bei eingeschaltetem Motor mit Ihrem Finger rechts oder

links über den **SL2** LED-Streifen, um die Absauggeschwindigkeit zu erhöhen oder zu verringern.

T5. FUNKTION „LEISTUNGSERHÖHUNG 1“

Drücken Sie bei eingeschaltetem Absaugmotor T5, um die „**POWER BOOST 1“ intensive Absauggeschwindigkeit** zu aktivieren (zeitgesteuert).

Bitte beachten: Die Dunstabzugshaube schaltet nach fünf Minuten zurück in die zuvor verwendete Geschwindigkeit.

T6. „POWER BOOST 2“-FUNKTION“

Drücken Sie bei eingeschaltetem Absaugmotor T6, um die „**POWER BOOST 2“ intensive Absauggeschwindigkeit** zu aktivieren (zeitgesteuert).

Bitte beachten: Die Dunstabzugshaube schaltet nach fünf Minuten zurück in die zuvor verwendete Geschwindigkeit.

T7. AUTOMATIK-MODUS „COOK SENSE“

Die Dunstabzugshaube erhöht die Absauggeschwindigkeit automatisch auf 1, wenn der Sensor in der Dunstabzugshaube erfasst, dass die Umgebungsbedingungen dies erfordern.

Ändern sich die Umgebungsbedingungen nicht - und verwendet die Dunstabzugshaube bereits die Absauggeschwindigkeit 1 - schaltet sich die Dunstabzugshaube nach fünf Minuten aus.

Bitte beachten: Um sicherzustellen, dass diese Funktion richtig verwendet wird, bitte zuerst **die Parameter für den Automatikmodus konfigurieren**, wie in dem entsprechenden Abschnitt beschrieben.

Bitte beachten: Bei Verwendung des Automatikmodus schaltet sich die Funktion „Cook Sense“ aus, wenn Sie jegliche andere Funktionen ändern, die die Geschwindigkeit steuern.

T8. ANZEIGEN DER FILTERSÄTTIGUNG

In regelmäßigen Abständen zeigt die Dunstabzugshaube an, dass eine Wartung des Filters durchgeführt werden muss.

Bitte beachten: Die Anzeigen sind nur aktiviert, wenn die Dunstabzugshaube eingeschaltet ist.

T8-Taste leuchtet: Die Wartung des Fettfilters durchführen.

T8-Taste blinkt: Die Wartung des Aktivkohlefilters durchführen;

Die Filtersättigungsanzeigen zurücksetzen:

Bitte beachten: Dies muss bei ausgeschalteter Dunstabzugshaube erfolgen.

Die **T8**-Taste drücken und gedrückt halten.

Aktivieren der Aktivkohle-Sättigungsanzeige

Bitte beachten: Dies muss bei ausgeschaltetem Abzugsmotor erfolgen.

Diese Anzeige ist normalerweise deaktiviert – die Tasten **T3** und **T10** gleichzeitig drücken und gedrückt halten, um die Funktion zu aktivieren:

Die Tasten leuchten auf, um die Aktivierung anzuzeigen.

Um die Funktion zu deaktivieren, dieselben Tasten (**T3** und **T10**) erneut drücken und gedrückt halten: Die Tasten blinken kurz und schalten sich dann aus, um die Deaktivierung anzuzeigen.

T9. BETRIEBSMODUS „DAILY AIR SENSE“ EIN/AUS

Die Dunstabzugshaube erhöht die Absauggeschwindigkeit automatisch auf 1, wenn der Sensor in der Dunstabzugshaube erfasst, dass die Umgebungsbedingungen dies erfordern.

Wenn die Absauggeschwindigkeit sich nicht ändert aufgrund der erfassten Umgebungsbedingungen, schaltet sich die Dunstabzugshaube nach zwei Stunden aus.

Die Dunstabzugshaube schaltet sich in jedem Fall nach fünf Stunden Gebrauch aus, unabhängig vom Betriebsmodus.

Bitte beachten: Um sicherzustellen, dass diese Funktion richtig verwendet wird, bitte zuerst **die Parameter für den Automatikmodus konfigurieren**, wie in dem entsprechenden Abschnitt beschrieben.

T10. BETRIEBSMODUS „INTENSIVE AIR SENSE“ EIN/AUS

Die Dunstabzugshaube erhöht die Absauggeschwindigkeit automatisch auf 5, wenn der Sensor in der Dunstabzugshaube erfasst, dass die Umgebungsbedingungen dies erfordern.

Wenn die Absauggeschwindigkeit sich nicht ändert aufgrund der erfassten Umgebungsbedingungen, schaltet sich die Dunstabzugshaube nach zwei Stunden aus.

Die Dunstabzugshaube schaltet sich in jedem Fall nach fünf Stunden Gebrauch aus, unabhängig vom Betriebsmodus.

Bitte beachten: Um sicherzustellen, dass diese Funktion richtig verwendet wird, bitte zuerst **die Parameter für den Automatikmodus konfigurieren**, wie in dem entsprechenden Abschnitt beschrieben.

KONFIGURATION DER PARAMETER FÜR DEN AUTOMATIKMODUS

Um sicherzustellen, dass der Automatikmodus richtig verwendet wird, müssen Sie die Dunstabzugshaube kalibrieren und den Kochfeldtyp auswählen.

Kalibrierung der Dunstabzugshaube

Bitte beachten: Dies muss mit dem Gerät in Standby erfolgen, d.h. eine Minute nach Ausschalten des Motors.

Die **T4**-Taste fünf Sekunden drücken und gedrückt halten.

Absauggeschwindigkeit (Leistung) 1 schaltet sich ein und die Taste **T4** blinkt, um anzuzeigen, dass die Kalibrierung der Dunstabzugshaube gestartet wurde (dies dauert ungefähr 15 Minuten).

Bitte beachten: Zum Anhalten des Kalibrierungsvorgangs die Taste **T4** fünf Sekunden drücken und gedrückt halten. Die Kalibrierung wird dann annulliert und muss daher wiederholt werden.

Bitte beachten: Die Kalibrierung wird automatisch ausgeführt, wenn die Stromversorgung an das Produkt zum ersten Mal eingeschaltet wird. **T4** blinkt.

Warten Sie 15 Minuten zum Abschluss der Kalibrierung.

Auswahl des Kochfeldtyps

Bitte beachten: Dies muss mit dem Gerät in Standby erfolgen, d.h. eine Minute nach Ausschalten des Motors.

Die Tasten **T9** und **T10** fünf Sekunden drücken und gedrückt halten.

Die Tasten **T9** und **T10** leuchten auf.

Wenn das Kochfeld mit Gas betrieben wird, die Taste **T9** drücken - die Taste blinkt um anzuzeigen, dass dies ausgewählt wurde.

Wenn das Kochfeld elektrisch betrieben wird, die Taste **T10** drücken - die Taste blinkt um anzuzeigen, dass dies ausgewählt wurde.

Nach dem Drücken blinkt die Taste drei Sekunden lang, um anzuzeigen, dass Ihre Auswahl gespeichert wurde.

WARTUNG

Reinigung

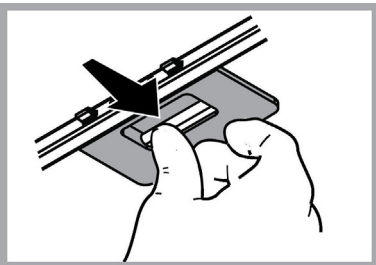
Zur Reinigung **AUSSCHLIESSLICH** ein mit flüssigem Neutralreiniger getränktes Tuch verwenden. **KEINE WERKZEUGE ODER GERÄTE FÜR DIE REINIGUNG VERWENDEN!** Keine Produkte verwenden, die Scheuermittel enthalten. **KEINEN ALKOHOH VERWENDEN!**

Wartung der Fettfilter

Diese dienen dazu, die **Fettpartikel, die beim Kochen frei werden, zu binden.**

Dieser muss einmal monatlich gewaschen werden (oder wenn das Sättigungsanzeigesystem der Filter – sofern bei dem jeweiligen Modell vorgesehen – dies anzeigt). Das kann mit einem milden Waschmittel von Hand, oder in der Spülmaschine bei niedriger Temperatur und einem Kurzspülgang erfolgen. Der Metallfettfilter kann bei der Reinigung in der Spülmaschine verfärben, was seine Filtermerkmale jedoch in keiner Weise beeinträchtigt.

Zwecks Demontage der Fettfilter den Aushakgriff ziehen.



Wartung des Aktivkohlefilters

Dieser Filter bindet die **unangenehmen Gerüche, die beim Kochen entstehen.**

Eine Sättigung des Aktivkohlefilters tritt nach einer relativ langen Verwendung ein, dies ist jedoch von der Kochart und der Regelmäßigkeit der Reinigung des Fettfilters abhängig. Trotzdem ist es notwendig, die Kartusche alle fünf Jahre

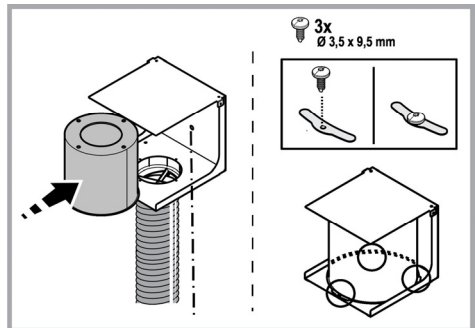
auszuwechseln. Sie **KANN NICHT** gereinigt oder erneut verwendet werden.

Für eine perfekte Abluftleistung ist der Filter größer als die Standardfilter und wird auf einer Halterung über der Dunstabzugshaube installiert.

Einbau oder Austausch des Aktivkohlefilters

1. Die Dunstabzugshaube von der Stromversorgung trennen.
2. Den zylinderförmigen Filter in die Halterung einsetzen.
3. Den Filter mit den Schrauben und Platten befestigen, die dem Gerät beiliegen.

Gehen Sie zum Ausbauen in umgekehrter Reihenfolge vor.



Ersetzen der Lampen

Die Haube ist mit einem auf der Leuchtdiodentechnologie basierten Beleuchtungssystem ausgestattet.

Die LEDs ermöglichen eine optimale Beleuchtung der Kochfläche. Sie haben eine Leistungsdauer, die das Zehnfache deren der traditionellen Lichter ist und bieten eine Energieersparnis bis zu 90%.


Für den Wechsel der Lampen kontaktieren Sie das zuständige Zentrum für den Austausch.

ENTSORGUNG

In Übereinstimmung mit den Anforderungen der Europäischen Richtlinie 2012/19/EC über Elektro- und Elektronik-Altgeräte (WEEE) ist vorliegendes Gerät mit einer Kennzeichnung versehen.

Sie leisten einen positiven Beitrag für den Schutz der Umwelt und die Gesundheit des Menschen, wenn Sie dieses Gerät einer gesonderten Abfallsammlung zuführen. Im unsortierten Siedlungsmüll könnte ein solches Gerät durch unsachgemäße Entsorgung negative Konsequenzen nach sich ziehen.



Auf dem Produkt oder der beiliegenden Produktdokumentation ist folgendes Symbol  einer durchgestrichenen Abfalltonne abgebildet. Es weist darauf hin, dass eine Entsorgung im normalen Haushaltsabfall nicht zulässig ist. Entsorgen Sie dieses Produkt im Recyclinghof mit einer getrennten Sammlung für Elektro- und Elektronikgeräte. Die Entsorgung muss gemäß den örtlichen Bestimmungen zur Abfallbeseitigung erfolgen.

Bitte wenden Sie sich an die zuständigen Behörden Ihrer Gemeindeverwaltung, an den lokalen Recyclinghof für Haushaltsmüll oder an den Händler, bei dem Sie dieses Gerät erworben haben, um weitere Informationen über Behandlung, Verwertung und Wiederverwendung dieses Produkts zu erhalten.

Gerät entwickelt, getestet und hergestellt nach:

- Sicherheit: EN/IEC 60335-1; EN/IEC 60335-2-31, EN/IEC 62233.
- Leistungsfähigkeit/Gebrauchstauglichkeit: EN/IEC 61591; ISO 5167-1; ISO 5167-3; ISO 5168; EN/IEC 60704-1; EN/IEC 60704-2-13; EN/IEC 60704-3; ISO 3741; EN 50564; IEC 62301.
- EMC: EN 55014-1; CISPR 14-1; EN 55014-2; CISPR 14-2; EN/IEC 61000-3-2; EN/IEC 61000-3-3. Empfehlungen für eine korrekte Verwendung, um die Umweltbelastung zu verringern: Schalten Sie die Haube beim Kochbeginn bei kleinster Geschwindigkeit EIN und lassen Sie die Haube einige Minuten nachlaufen, wenn Sie mit dem Kochen fertig sind. Erhöhen Sie die Geschwindigkeit nur bei großen Mengen von Kochdunst und Dampf und benutzen Sie die Intensivstufe(n) nur bei extremen Situationen. Wechseln Sie die Kohlefilter, wenn notwendig, um eine gute Geruchsreduzierung zu gewährleisten. Säubern Sie die Fettfilter, wenn notwendig, um eine gute Fettfilterungseffizienz zu gewährleisten. Verwenden Sie den in der Gebrauchsanweisung angegebenen grössten Durchmesser des Luftaustrittssystems, um die Leistungsfähigkeit zu optimieren und die Geräuschentwicklung zu minimieren.

BETRIEBSSTÖRUNGEN

Wenn etwas nicht zu funktionieren scheint, folgende Kontrollen durchführen, bevor der Kundendienst gerufen wird:

- Wenn die Abzugshaube nicht funktioniert:
Prüfen, ob:
 - ein Stromausfall vorliegt.
 - eine Geschwindigkeit gewählt wurde.
- Wenn die Leistung der Abzugshaube mangelhaft ist:
Prüfen, ob:
 - die gewählte Motorgeschwindigkeit für die freigesetzte Menge an Rauch und Dämpfen ausreicht.
 - die Küche ausreichend belüftet ist, um eine Luftansaugung zuzulassen.
 - der Kohlefilter verbraucht ist (bei Umluftversion).
- Wenn sich die Haube im Laufe des normalen Betriebs selbst ausgeschaltet hat.
Prüfen, ob:
 - ein Stromausfall vorliegt.
 - die allpolige Trennvorrichtung ausgelöst wurde.

Die Dunstabzugshaube oder die Bedienungselemente funktionieren nicht: Für mindestens 5 Sekunden die Stromversorgung der Dunstabzugshaube unterbrechen und dann die Haube erneut einschalten. Kann die Störung nicht behoben werden, kontaktieren Sie bitte den Kundendienst.

TECHNISCHE DATEN

Höhe (cm)	Breite (cm)	Tiefe (cm)	Ø des Abluftrohrs (cm)
110-129,5	89,8	32	15

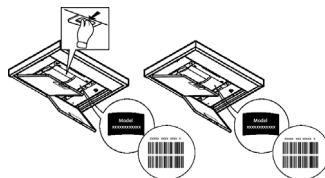


Teile, die nicht zum Lieferumfang des Produkts gehören



Sie können die **Sicherheitshinweise, Bedienungsanleitung, Technischen Daten und Energiedaten** wie folgt herunterladen:

- Besuchen Sie unsere Internetseite docs.whirlpool.eu
- Verwenden Sie den QR-Code
- Alternativ können Sie **unserer Kundendienst kontaktieren** (Siehe Telefonnummer in dem Garantieheft). Wird unser Kundendienst kontaktiert, bitte die Codes auf dem Typenschild des Produkts angeben.



SÉCURITÉ GÉNÉRALE

- Avant tout entretien ou nettoyage du produit débranchez l'alimentation électrique en retirant la fiche électrique ou en coupant l'interrupteur général.
- Utilisez des gants de travail pour toute opération de nettoyage ou d'entretien.
- Cet appareil peut être utilisé par des enfants âgés d'au moins 8 ans et par des personnes ayant des capacités physiques, sensorielles ou mentales réduites ou dénuées d'expériences ou de connaissances, sauf si ces personnes sont correctement surveillées ou si des instructions relatives à l'utilisation correcte de l'appareil permettant d'éviter tout danger leur ont été communiquées.
- Les enfants ne doivent pas jouer avec l'appareil.
- Le nettoyage et l'entretien par l'utilisateur ne doivent pas être effectués par des enfants sans surveillance.
- La pièce doit avoir une aération suffisante lorsque la hotte est utilisée conjointement avec d'autres appareils fonctionnant au gaz ou autres combustibles.
- La hotte doit être régulièrement nettoyée à la fois à l'intérieur et à l'extérieur (AU MOINS UNE FOIS PAR MOIS); cela devrait se faire en conformité avec les instructions d'entretien. Le non respect des instructions expressément fournies concernant le nettoyage de la hotte et des filtres peut provoquer des risques d'incendie.
- Ne pas flamber d'aliments sous la hotte.
- Pour le remplacement de la lampe, utilisez uniquement le type de lampe spécifié dans la section remplacement/maintenance lampe dans ce manuel.

L'utilisation d'une flamme nue est dommageable pour les filtres et peut causer un incendie, par conséquent, il est déconseillé de l'utiliser.

La friture doit être faite avec soin afin de s'assurer que l'huile surchauffée ne prenne pas feu.

AVERTISSEMENT: Lorsque la table de cuisson est en fonctionnement, les parties accessibles de la hotte peuvent devenir très chaudes.

- Ne pas brancher l'appareil au réseau électrique avant que l'installation ne soit complètement terminée.
- En ce qui concerne les mesures techniques et de sécurité à prendre pour l'évacuation des fumées, respectez strictement les dispositions des règlements locaux.
- L'air ne doit pas être envoyé dans un conduit utilisé pour évacuer les fumées d'appareils utilisant du gaz ou un autre combustible.
- Ne pas utiliser ou laisser la hotte sans les lampes correctement montées, car un éventuel risque de choc électrique est possible.
- N'utilisez jamais la hotte sans la grille montée correctement!
- La hotte ne doit JAMAIS être utilisée comme une surface d'appui, sauf indication expresse.
- Utilisez uniquement les vis de fixation fournies avec le produit pour l'installation, ou, si non fournies, acheter le type correct de vis.
- Utilisez la longueur correcte pour les vis qui sont identifiées dans le Guide d'installation.
- En cas de doute, consultez votre centre de service agréé ou du personnel qualifié.

▲ ATTENTION !

- Le défaut d'installer les vis et les dispositifs de fixation conformément à ces instructions peut entraîner des risques électriques.
- Ne pas mettre en marche au moyen d'un programmeur, d'une minuterie, ou d'un système de commande à distance séparé ou tout autre dispositif qui met l'appareil sous tension automatiquement.

Les enfants de moins de 3 ans ne doivent pas s'approcher de l'appareil. Sans la surveillance constante d'un adulte, garder l'appareil hors de la portée des enfants de moins de 8 ans.

⚠ ATTENTION : l'appareil ne peut être mis en marche par le biais d'un dispositif externe ou d'un système de commande à distance séparé.

⚠ Cet appareil n'est pas destiné à un usage professionnel. Ne pas utiliser l'appareil à l'extérieur.

⚠ Pour éviter le risque de lésions personnelles, l'appareil doit être déplacé et installé par deux ou plusieurs personnes.

⚠ L'installation, comprenant éventuellement aussi les raccords pour l'alimentation hydriques (si prévus) et les branchements électriques, et les interventions de réparation doivent être effectués par un personnel qualifié.

Après avoir complété l'installation, conserver le matériel d'emballage (plastique, polystyrène, etc.) hors de la portée des enfants pour éviter le risque d'étouffement.

Ne jamais utiliser l'appareil pieds nus ou mouillés.

Ne jamais utiliser d'appareils de nettoyage à vapeur pour éviter le risque de choc électrique.



Comme indiqué par le symbole, le matériel d'emballage est 100 % recyclable

La hotte peut avoir des configurations esthétiques différentes par rapport à ce qui est illustré dans les dessins de ce manuel, cependant les instructions pour l'utilisation, l'entretien et l'installation restent identiques.

Suivre impérativement les instructions de cette notice. Le constructeur décline toute responsabilité pour tous les inconvénients, dommages ou incendies provoqués à l'appareil et dus à la non observation des instructions de la présente notice. Cet appareil est destiné à être utilisé dans des applications domestiques et analogues telles que : - des coins cuisines réservés au personnel dans des magasins, bureaux et autres environnements professionnels ; - des fermes ; - l'utilisation par les clients des hôtels, motels et autres environnements à caractère résidentiel ; - des environnements du type chambre d'hôtes.

- Il est important de conserver ce livret pour pouvoir le consulter à tout moment. En cas de vente, de cession ou de déménagement, assurez-vous que la notice d'utilisation l'accompagne.
- Veuillez lire attentivement les instructions, vous trouverez des informations importantes sur l'installation, le mode d'emploi et la sécurité.
- Ne pas effectuer des modifications électriques ou mécaniques sur le produit ou sur les conduits d'évacuation.
- Avant d'installer l'appareil, vérifiez qu'il n'y a aucun composant endommagé. Sinon, contactez votre revendeur et ne continuez pas l'installation.

La distance minimum entre la superficie de support des récipients sur le dispositif de cuisson et la partie la plus basse de la hotte de cuisine ne doit pas être inférieure à 50cm dans le cas de cuisinières électriques et de 65 cm dans le cas de cuisinières à gaz ou mixtes.

Si les instructions d'installation du dispositif de cuisson au gaz spécifient une plus grande distance, il faut en tenir compte.

BRANCHEMENT ÉLECTRIQUE

La tension électrique doit correspondre à la tension reportée sur la plaque signalétique située à l'intérieur de la hotte. Si une prise est présente, branchez la hotte dans une prise murale conforme aux normes en vigueur et placée dans une zone accessible également après l'installation. Si aucune prise n'est présente (raccordement direct au circuit électrique), ou si la prise ne se trouve pas dans une zone accessible également après l'installation, appliquez un disjoncteur normalisé pour assurer de débrancher complètement la hotte du circuit électrique en conditions de catégorie surtension III, conformément aux réglementations de montage.

⚠ ATTENTION!


Avant de rebrancher le circuit de la hotte à l'alimentation électrique et d'en vérifier le fonctionnement correct, contrôlez toujours que le câble d'alimentation soit monté correctement.

Si le câble n'est pas équipé d'une fiche, branchez les fils selon le tableau suivant:

Tension principale et fréquence

Se référer à la valeur indiquée sur l'étiquette des caractéristiques à l'intérieur de la hotte.

Branchement des fils

 : jaune/vert

N : bleu

L : brun

Changement du câble d'alimentation

La hotte est pourvue d'un câble d'alimentation spécial; en cas de détérioration du câble, en demander un neuf au service d'assistance technique.

ÉVACUATION DE L'AIR

FILTRANTE OU ASPIRANTE ?

Votre hotte est conçue pour être utilisée uniquement dans la version de filtrage
L'air d'aspiration sera dégraissé et désodorisé avant d'être renvoyé dans la pièce.
Le système de filtration présente un filtre à charbon actif à haute performance.

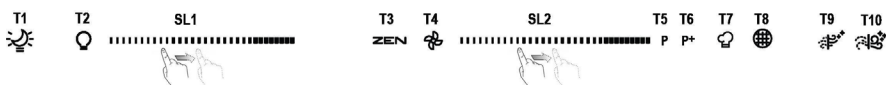
Note: en raison de ses caractéristiques techniques, il est impossible d'utiliser la hotte dans le mode d'aspiration
Important! Pour procéder à l'installation, il est nécessaire d'utiliser un tube de type flexible

Version filtrante

L'air d'aspiration sera dégraissé et désodorisé avant d'être renvoyé dans la pièce.
Pour utiliser la hotte dans cette version, vous devez installer un système de filtrage supplémentaire basé sur charbon actif.

COMMANDES

La hotte est équipée d'un panneau de contrôle doté d'une commande de vitesse d'aspiration et d'une commande d'éclairage du plan de cuisson.



T1. Témoin Nuit ALLUMÉ/ÉTEINT

T2. MARCHE/ARRÊT éclairage plaque de cuisson - Sélectionner la température de couleur

T3. Fonctionnement en « Mode ZEN »

T4. MARCHE/ARRÊT Moteur

T5. Fonction « POWER BOOST 1 »

T6. Fonction « POWER BOOST 2 »

T7. Mode Automatique « Cook Sense »

T8. Indicateur de saturation de filtre

T9. MARCHE/ARRÊT Mode de fonctionnement « Air Sense Quotidien »

T10. MARCHE/ARRÊT Mode de fonctionnement « Air Sense Intensif »

T1. TÉMOIN NUIT ALLUMÉ/ÉTEINT

Appuyez pour allumer ou éteindre le rétroéclairage doux.

T2. MARCHE/ARRÊT ÉCLAIRAGE PLAQUE DE CUISSON - SÉLECTIONNER LA TEMPÉRATURE DE COULEUR

Appuyez pour allumer ou éteindre l'éclairage de la plaque de cuisson.

• Avec les lampes allumées, utilisez votre doigt pour faire glisser à droite ou à gauche sur la bande de LED **SL1** pour augmenter ou diminuer l'intensité de la lumière.

Pour régler la température de couleur de l'éclairage

• Appuyez (et maintenir) à nouveau,

• en utilisant votre doigt pour faire glisser à droite ou à gauche sur la bande de LED **SL1** pour régler l'intensité de l'éclairage plus froid ou plus chaud.

Si vous ne changez pas la couleur pendant cinq secondes, **SL1** clignotera selon le réglage de couleur que vous avez choisi et un signal sonore retentira pour indiquer que le système a enregistré cette configuration.

Veillez noter : L'éclairage s'allume à la dernière intensité que vous avez réglée avant l'extinction de l'appareil.

T3. FONCTIONNEMENT EN « MODE ZEN »

Appuyer pour activer ou désactiver le mode d'extraction « ZEN ».

Cette fonction permet d'activer une vitesse d'extraction avec l'équilibre parfait entre le calme et l'efficacité d'extraction.

T4. MARCHE/ARRÊT MOTEUR

Appuyez pour allumer ou éteindre le **moteur d'extraction**.

• Avec le moteur allumé, utilisez votre doigt pour faire glisser à droite ou à gauche sur la bande de LED **SL2** pour augmenter ou diminuer la vitesse d'extraction.

T5. FONCTION « POWER BOOST 1 »

Avec le moteur d'extraction allumé, appuyez sur T5 pour activer la vitesse **d'extraction intensive « POWER BOOST 1 »** (contrôlée en temps).

Veillez noter : La hotte recommencera à fonctionner à la vitesse à laquelle elle était précédemment utilisée après cinq minutes.

T6. FONCTION « POWER BOOST 2 »

Avec le moteur d'extraction allumé, appuyez sur T6 pour activer la vitesse **d'extraction intensive « POWER BOOST 2 »** (contrôlée en temps).

Veillez noter : La hotte recommencera à fonctionner à la vitesse à laquelle elle était précédemment utilisée après cinq minutes.

T7. MODE AUTOMATIQUE « COOK SENSE »

La hotte augmentera la vitesse d'extraction 1 automatiquement si le capteur dans la hotte détecte que les conditions ambiantes l'exigent.

Si les conditions ambiantes ne changent pas - et que la hotte utilise déjà la vitesse d'extraction 1 – la hotte s'éteindra après cinq minutes.

Veillez noter : Pour s'assurer que cette fonction est utilisée correctement, veuillez **configurer les paramètres pour le mode automatique** tout d'abord comme décrit dans la section pertinente.

Veillez noter : Lors de l'utilisation du mode automatique, si vous changez d'autres fonctions qui commandent la vitesse, la fonction « Cook sense » s'éteindra.

T8. VOYANTS SATURATION DU FILTRE

À intervalle régulier, la hotte indique le besoin d'effectuer l'entretien du filtre.

Veillez noter : Les voyants fonctionnent lorsque la hotte est allumée.

Bouton **T8** allumé : Effectuer l'entretien du filtre de graisse.

Bouton **T8** clignotant : Effectuer un entretien du filtre au charbon actif .

Réinitialisation des indicateurs de saturation du filtre :

Veillez noter : Cela doit être fait avec la hotte allumée.

Appuyer sur la touche **T8**.

Activation de l'indicateur de saturation du filtre à charbon actif

Veillez noter : Cela doit être fait avec le moteur d'extraction éteint.

Cet indicateur est habituellement désactivé – appuyez sur les boutons **T3** et **T10** simultanément et maintenez-les enfoncés pour activer la fonction :

Les boutons s'allumeront pour indiquer l'activation.

Pour désactiver la fonction, appuyez sur les mêmes boutons (**T3** et **T10**) à nouveau et maintenez-les enfoncés : Les boutons clignoteront brièvement puis s'éteindront pour indiquer la désactivation.

T9. MARCHE/ARRÊT MODE DE FONCTIONNEMENT « AIR SENSE QUOTIDIEN »

La hotte augmentera la vitesse d'extraction à 1 automatiquement si le capteur dans la hotte détecte que les conditions ambiantes l'exigent.

Si la vitesse d'extraction ne change pas du fait des conditions ambiantes détectées, la hotte s'éteindra après deux heures.

La hotte s'éteindra dans tous les cas après cinq heures d'utilisation, quel que soit le mode de fonctionnement.

Veillez noter : Pour s'assurer que cette fonction est utilisée correctement, veuillez **configurer les paramètres pour le mode automatique** tout d'abord comme décrit dans la section pertinente.

T10. MARCHE/ARRÊT MODE DE FONCTIONNEMENT « AIR SENSE INTENSIF »

La hotte augmentera la vitesse d'extraction à 5 automatiquement si le capteur dans la hotte détecte que les conditions ambiantes l'exigent.

Si la vitesse d'extraction ne change pas du fait des conditions ambiantes détectées, la hotte s'éteindra après deux heures.

La hotte s'éteindra dans tous les cas après cinq heures d'utilisation, quel que soit le mode de fonctionnement.

Veillez noter : Pour s'assurer que cette fonction est utilisée correctement, veuillez **configurer les paramètres pour le mode automatique** tout d'abord comme décrit dans la section pertinente.

CONFIGURATION DES PARAMÈTRES POUR LE MODE AUTOMATIQUE

Afin de s'assurer que le mode automatique est utilisé correctement, vous devrez étalonner la hotte et sélectionner le type de plaque de cuisson.

Étalonnage de la hotte

Veillez noter : Cela doit être fait avec l'appareil en veille, à savoir une minute après l'extinction du moteur.

Appuyez sur le bouton **T4** pendant cinq secondes.

La vitesse d'extraction 1 s'allumera et le bouton **T4** clignotera pour indiquer que l'étalonnage de la hotte a débuté (cela prendra environ 15 minutes).

Veillez noter : Pour arrêter le processus d'étalonnage, appuyez sur le bouton **T4** pendant cinq secondes. L'étalonnage sera ensuite invalidé et devra donc être répété.

Veillez noter : L'étalonnage sera réalisé automatiquement lorsque l'alimentation au produit est allumée pour la première fois. **T4** clignotera.

Attendez 15 minutes pour que l'étalonnage soit terminé.

Sélection du type de plaque de cuisson

Veillez noter : Cela doit être fait avec l'appareil en veille, à savoir une minute après l'extinction du moteur.

Appuyez sur les boutons **T9** et **T10** pendant cinq secondes.

Les boutons **T9** et **T10** s'allumeront.

En cas d'utilisation de gaz pour alimenter la plaque de cuisson, appuyez sur le bouton **T9** – le bouton clignotera pour indiquer que cette fonction a été sélectionnée.

En cas d'utilisation d'électricité pour alimenter la plaque de cuisson, appuyez sur le bouton **T10** – le bouton clignotera pour indiquer que cette fonction a été sélectionnée.

Une fois enfoncé, le bouton clignotera pendant trois secondes pour indiquer que votre sélection a été enregistrée.

ENTRETIEN

Nettoyage

Pour le nettoyage, utiliser **EXCLUSIVEMENT** un chiffon humidifié avec des détergent liquides neutres. **NE PAS UTILISER D'OUTILS OU D'INSTRUMENTS POUR LE NETTOYAGE !** Éviter l'usage de produits abrasifs, **NE PAS UTILISER D'ALCOOL!**

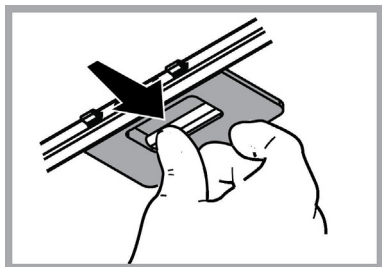
Entretien des filtres anti-graisses

Il retient les particules de graisse issues de la cuisson.

Le filtre doit être nettoyé une fois par mois (ou lorsque le système d'indication de saturation des filtres – si prévu sur le modèle – indique cette nécessité) avec des détergents non agressifs, à la main ou dans le lave-vaisselle à faibles températures et cycle rapide.

Le lavage du filtre anti-graisse métallique au lave-vaisselle peut en provoquer la décoloration. Toutefois, les caractéristiques de filtrage ne seront en aucun cas modifiées.

Pour démonter le filtre anti-graisse, tirer la poignée de décrochement à ressort.



Entretien des filtres au charbon

Retient les odeurs désagréables de cuisson.

La saturation du filtre à charbon actif a lieu après une utilisation plus ou moins prolongée, selon le type de cuisson et la régularité du nettoyage du filtre à graisse.

Dans tous les cas, vous devez remplacer la cartouche au moins tous les 5 ans.

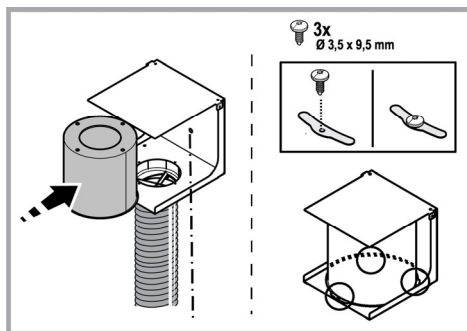
Il ne peut pas être lavé ou régénéré

Pour obtenir d'excellentes performances d'aspiration, le filtre est plus grande que les filtres standard et est installé sur un support au-dessus de la hotte.

Installer ou remplacer le filtre au charbon

1. Débranchez la hotte de l'alimentation principale.
2. Insérez le filtre cylindrique à l'intérieur du support.
3. Fixez le filtre avec les vis et plaques fournies avec l'appareil.

Inverser les étapes pour les enlever.



Remplacement des lampes

La hotte est dotée d'un système d'éclairage basé sur la technologie LED.

Les LEDs garantissent un éclairage optimal, une durée jusqu'à 10 fois supérieures aux ampoules traditionnelles et permettent une épargne de 90% en énergie électrique.


Pour remplacer les lampes, contactez le centre service agréé pour pièces de rechange.

ÉLIMINATION

Cet appareil porte le symbole du recyclage conformément à la Directive Européenne 2012/19/EC concernant les Déchets d'Équipements Électriques et Électroniques (DEEE ou WEEE).

En procédant correctement à la mise au rebut de cet appareil, vous contribuerez à empêcher toute conséquence nuisible pour l'environnement et la santé de l'homme.



Le symbole  présent sur l'appareil ou sur la documentation qui l'accompagne indique que ce produit ne peut en aucun cas être traité comme déchet ménager. Il doit par conséquent être remis à un centre de collecte des déchets chargé du recyclage des équipements électriques et électroniques.

Pour la mise au rebut, respectez les normes relatives à l'élimination des déchets en vigueur dans le pays d'installation.

Pour obtenir de plus amples détails au sujet du traitement, de la récupération et du recyclage de cet appareil, veuillez vous adresser au bureau compétent de votre commune, à la société de collecte des déchets ou directement à votre revendeur.

Appareil conçu, testé et fabriqué conformément aux normes suivantes :

- Sécurité : EN/IEC 60335-1; EN/IEC 60335-2-31, EN/IEC 62233.
- Performances : EN/IEC 61591; ISO 5167-1; ISO 5167-3; ISO 5168; EN/IEC 60704-1; EN/IEC 60704-2-13; EN/IEC 60704-3; ISO 3741; EN 50564; IEC 62301.
- EMC: EN 55014-1; CISPR 14-1; EN 55014-2; CISPR 14-2; EN/IEC 61000-3-2; EN/IEC 61000-3-3. Suggestions pour une utilisation correcte afin de réduire l'impact environnemental : Allumer la hotte à la vitesse minimum pendant la cuisson et la laisser fonctionner pendant quelques minutes après la fin de la cuisson. Augmenter la vitesse uniquement en présence d'une grande quantité de fumée ou de vapeur et n'utiliser la/les vitesse(s) accélérées que dans les cas extrêmes. Remplacer le(s) filtre(s) au charbon lorsque cela est nécessaire afin de maintenir une réduction efficace des odeurs. Nettoyer le(s) filtres à graisse lorsque cela est nécessaire afin de maintenir un filtrage efficace des graisses. Utiliser un système de tuyauterie du diamètre maximum indiqué dans ce manuel afin d'optimiser le rendement et de minimiser le bruit.

ANOMALIES DE FONCTIONNEMENT

En cas d'anomalie de fonctionnement, avant de faire appel au service d'assistance, effectuer les contrôles suivants:

- Si la hotte ne fonctionne pas:
S'assurer:
 - de l'absence de coupure de courant.
 - qu'une vitesse a été sélectionnée.
- Si la hotte a un faible rendement:
S'assurer:
 - que la vitesse du moteur sélectionnée est suffisante pour la quantité de fumée et de vapeurs libérées.
 - que la cuisine est insuffisamment aérée pour assurer une prise d'air.
 - que le filtre à charbon n'est pas usé (hotte en version filtrante).
- Si la hotte s'éteint durant son fonctionnement normal:
S'assurer:
 - de l'absence de coupure de courant.
 - que le dispositif d'interruption omnipolaire ne s'est pas déclenché.

Si la hotte ne fonctionne pas correctement, débranchez la prise pendant environ 5 secondes, puis rebranchez-la. Si le problème persiste, contactez le service de réparation compétent.

DONNÉES TECHNIQUE

Hauteur (cm)	Largeur (cm)	Profondeur (cm)	Ø de tube d'évacuation (cm)
110-129,5	89,8	32	15

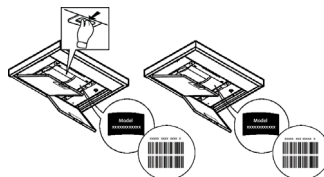


Éléments non fournis avec la hotte



Vous pouvez télécharger les consignes de sécurité, le manuel de l'utilisateur, la fiche produit et les données énergétiques en :

- Visitant notre site internet docs.whirlpool.eu
- Utilisant le Code QR
- Vous pouvez également **contacter notre service après-vente** (voir numéro de téléphone dans le livret de garantie). Lorsque vous contactez notre Service Après-vente, veuillez indiquer les codes visibles sur la plaque signalétique de l'appareil.



ALGEMENE VEILIGHEID

- Zorg voordat u de afzuigkap schoonmaakt of onderhoudt eerst dat hij geen stroom heeft door de stekker uit het stopcontact te halen, de tweepolige schakelaar uit te zetten of de betreffende elektriciteitsgroep geheel uit te schakelen.
 - Draag tijdens installatie en onderhoud altijd werkhandschoenen.
 - Dit apparaat is geschikt voor bediening door kinderen vanaf 8 jaar, personen met lichamelijke, zintuiglijke of verstandelijke beperkingen, onervaren personen en degenen die over onvoldoende kennis beschikken, onder voorwaarde dat ze hierbij eerst worden begeleid en geïnstrueerd over veilig gebruik en bediening van het apparaat, en voldoende inzicht hebben in de bijbehorende gevaren.
 - Laat kinderen niet aan de knoppen zitten of met het apparaat spelen.
 - Schoonmaken en onderhoud door kinderen van voor de gebruiker toegankelijke onderdelen mag alleen onder toezicht van een volwassene.
 - Wanneer de afzuigkap wordt gebruikt voor apparaten die op gas of een andere brandstof werken, moet de ruimte waar de apparaten zijn geïnstalleerd voldoende worden geventileerd.
 - De afzuigkap moet regelmatig van binnen en van buiten worden schoongemaakt (MINSTENS 1 KEER PER MAAND).
 - Hierbij moeten de verstrekte onderhoudsinstructies worden opgevolgd. Als de verstrekte instructies voor het reinigen van de afzuigkap en de filters niet worden opgevolgd, ontstaat de kans op brand.
 - U mag niets flamberen onder de afzuigkap.
 - Vervang de lampen uitsluitend door het type dat staat aangegeven onder "Onderhoud > Lampjes vervangen" van deze gids.
- Blootstellen aan vlammen is slecht voor de filters en kan tot brand leiden. Dit moet dus onder alle omstandigheden worden vermeden. Werk bij bakken en braden dus extra zorgvuldig en zorg dat vet of olie niet oververhit raakt en in brand vliegt.
- LET OP: het is mogelijk dat toegankelijke onderdelen van de afzuigkap heet worden tijdens het afvoeren van kookdampen.
- Sluit het apparaat niet op het lichtnet aan voordat de installatie is voltooid.
 - Bij technische maatregelen en veiligheidsmaatregelen voor installaties die kookdampen afvoeren, is het belangrijk dat de lokale wet- en regelgeving nauwkeurig wordt gevolgd.
 - De afgezogen lucht mag niet worden afgevoerd naar een uitvoer voor dampen van apparaten die op gas of andere brandstoffen werken.
 - Zorg dat de lamp op de juiste manier is geplaatst omdat anders de kans ontstaat op elektrische schokken, zelfs als de kap niet wordt gebruikt.
 - Gebruik de afzuigkap nooit zonder op de juiste manier geplaatste roosters.
 - Laat NOOIT andere zaken op de afzuigkap rusten, tenzij specifiek aangegeven.
 - Gebruik voor de installatie alleen de meegeleverde schroeven, of koop schroeven van het juiste type.
 - Raadpleeg de installatiegids voor de correcte afmetingen van de schroeven.
 - Raadpleeg bij twijfel een geautoriseerd service center of iemand met vergelijkbare kwalificaties.

▲ WAARSCHUWING!

- Wanneer niet de in deze instructies vermelde schroeven worden gebruikt of als het apparaat niet volgens deze instructies wordt bevestigd, kunnen elektrische risico's ontstaan.
- Sluit het product niet aan op een (programmeerbare) timer, externe afstandsbediening of ander apparaat waardoor het product automatisch wordt ingeschakeld.

Houd kinderen jonger dan 3 jaar uit de buurt van het apparaat. Zonder het voortdurende toezicht van een volwassene moeten kinderen jonger dan 8 jaar uit de buurt van het apparaat gehouden worden.

⚠ OPGELET: het apparaat is niet bedoeld om in werking te worden gesteld door middel van een extern apparaat of een afzonderlijk afstandsbedieningssysteem.

⚠ Dit apparaat is niet bedoeld voor een professioneel gebruik. Gebruik het apparaat niet in de open lucht.

⚠ Om het risico op persoonlijk letsel te voorkomen, moet het apparaat verplaatst en geïnstalleerd worden door twee of meer personen.

⚠ De installatie, waaronder ook de eventuele aansluiting op de watervoorziening (indien voorzien) en de elektrische aansluitingen, evenals de reparatie-ingrepen moeten worden uitgevoerd door gekwalificeerd personeel.

Na het voltooiën van de installatie moet het verpakkingsmateriaal (plastic, polystyreen, enz.) buiten het bereik van kinderen bewaard worden om verstikkingsgevaar te voorkomen.

Gebruik het apparaat niet wanneer u nat bent of op blote voeten.

Gebruik voor de reiniging nooit stoomreinigers - gevaar voor elektrische schokken.



Het verpakkingsmateriaal is 100% recycleerbaar en is gemarkeerd met het betreffende symbool

De afzuigkap kan er anders uitzien dan de afbeeldingen in dit boekje. De instructies voor bediening, onderhoud en installatie blijven echter hetzelfde.

Houd u altijd aan de instructies in deze gids. Wij aanvaarden geen enkele aansprakelijkheid voor problemen, schade of brand die voortvloeien uit nalatigheid, zoals het niet opvolgen van de instructies in deze gids. Dit apparaat is bedoeld voor huishoudelijk gebruik en vergelijkbare toepassingen zoals: - personeelskeukens in winkels, kantoren en andere werkomgevingen; - boerderijen; - gebruik door klanten in hotels, motels en andere verblijfsomgevingen zoals bed and breakfast.

- Het is belangrijk om dit boekje goed te bewaren zodat u er altijd dingen in kan opzoeken. Zorg dat het boekje bij verhuizing, verkoop of overdracht met het apparaat meegaat.
- Lees de instructies zorgvuldig: het gaat hier om belangrijke informatie over installatie, bediening, onderhoud en veiligheid.
- Voer nooit zelf elektrische of mechanische veranderingen uit op het product of de afvoerbuizen.
- Controleer alle onderdelen op beschadigingen voordat u verder gaat met de installatie van het apparaat. Neem bij beschadiging contact op met uw leverancier, en begin niet aan de installatie.

De minimale afstand tussen het kookoppervlak en de onderkant van de afzuigkap is 50cm bij een elektrische kookplaat en 65 cm, in geval van een gas- of gemengd fornuis.

Als in de installatie-instructies van een gaskookplaat een grotere afstand wordt genoemd, moet de grotere afstand worden gebruikt.

ELEKTRISCHE AANSLUITING

De aansluiting op het lichtnet moet overeenkomen met de waarde op het plaatje aan de binnenkant van de afzuigkap. Als de afzuigkap een stekker heeft, moet deze in een stopcontact dat aan de nieuwste regelgeving voldoet en ook na de installatie bereikbaar blijft. Als het product geen stekker heeft (rechtstreekse aansluiting op lichtnet), of als de stekker na de installatie niet meer bereikbaar is, moet gebruik worden gemaakt van een tweepolige aan/uitschakelaar, zodat het product (bijvoorbeeld bij een te hoge stroomsterkte, categorie III) geheel kan worden losgekoppeld van het lichtnet.

⚠ WAARSCHUWING!

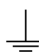
Controleer eerst of het netsnoer correct is gemonteerd voordat de afzuigkap op het lichtnet wordt aangesloten om de juiste werking te controleren.

Als de kabel niet is voorzien van een stekker, sluit u de kabels aan overeenkomstig de volgende tabel:

Spanning en frequentie net

Verwijs naar de waarde aangegeven op het typeplaatje dat is aangebracht in de afzuigkap.

Aansluiting draden

 : geel/groen
N : blauw
L : bruin

Vervanging van de voeding

De afzuigkap wordt geleverd met een speciaal netsnoer. Als dit snoer beschadigd is, moet u een nieuw exemplaar aanvragen bij de technische dienst.

LUCHTAFVOER

FILTEREND OF AFZUIGEND APPARAAT ?

Uw afzuigkap is uitsluitend ontworpen voor een gebruik als filterend apparaat

De verwijderde lucht wordt ontvet en ontgeurd en vervolgens weer teruggesteerd naar de betreffende ruimte.

Het filtersysteem voorziet een High Performance actief koolstoffilter

Opmerking: vanwege de technische eigenschappen van dit apparaat, kan het niet als afzuigend apparaat gebruikt worden

Belangrijk! Voor de installatie van het apparaat is een buigzame pijp nodig

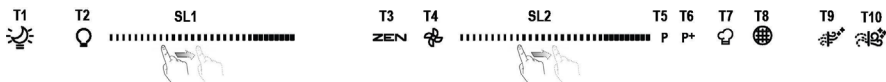
Filtrende versie

De verwijderde lucht wordt ontvet en ontgeurd en vervolgens weer teruggesteerd naar de betreffende ruimte.

Om de afzuigkap in deze vorm te gebruiken, moet een extra filtersysteem op basis van geactiveerde kool zijn geïnstalleerd.

BEDIENINGSELEMENTEN

De kap is voorzien van een bedieningspaneel met een schakelaar voor de snelheid van afzuiging en een schakelaar voor de verlichting van het fornuis.



T1. "Nachtlampje" AAN/UIT

T2. Kookplaatlampen ON/OFF – Selecteer de kleurtemperatuur

T3. Werking in "ZEN" afzuigmodus

T4. Motor ON/OFF

T5. "VERMOGENSOPVOERING 1" functie

T6. "VERMOGENSOPVOERING 2" functie

T7. Automatische modus "Cook Sense"

T8. Indicator van filterverzadiging

T9. "Daily Air Sense"-modus AAN/UIT

T10. "Intensive Air Sense"-modus AAN/UIT

T1. "NACHTLAMPJE" AAN/UIT

Druk om de zachte achtergrondverlichting in of uit te schakelen.

T2. KOOKPLAATLAMPEN AAN/UIT – SELECTEER DE KLEURTEMPERATUUR

Druk om de kookplaatverlichting aan of uit te schakelen.

• Strijk met uw vinger naar rechts of naar links, als de lampen branden, over de rij ledlichtjes **SL1** om de lichtintensiteit te verhogen of te verlagen.

Kiezen van de kleurtemperatuur van de verlichting

• Druk nogmaals (en houd ingedrukt)

• en strijk met uw vinger naar rechts of naar links over de rij ledlichtjes **SL1** om het licht kouder of warmer in te stellen.

Als u de kleur vijf seconden lang niet verandert, begint **SL1** te knipperen met de door u gekozen kleurinstelling en een hoorbaar signaal gaat af om aan te geven dat het systeem deze configuratie heeft opgeslagen.

Let op: Het licht gaat branden met de laatste intensiteit die u heeft ingesteld alvorens het apparaat uit te schakelen.

T3. WERKING IN "ZEN" AFZUIGMODUS

Druk om de "ZEN" afzuigmodus in of uit te schakelen.

Deze functie dient om een afzuigsnelheid in te schakelen die perfect gebalanceerd is tussen stilte en efficiëntie.

T4. MOTOR ON/OFF

Druk om de afzuigmotor in of uit te schakelen.

• Strijk, terwijl de motor draait, met uw vinger naar rechts of naar links over de rij ledlichtjes **SL2** om de afzuigsnelheid te verhogen of te verlagen.

T5. “VERMOGENSOPVOERING 1” FUNCTIE

Druk, terwijl de afzuigmotor draait, op T5 om “**VERMOGENSOPVOERING**

1” intensieve afzuigingsnelheid (met timer) te kiezen.

Let op: Na vijf minuten gaat de kap terug werken aan de snelheid die eerder werd gebruikt.

T6. “VERMOGENSOPVOERING 2” FUNCTIE

Druk, terwijl de afzuigmotor draait, op T6 om “**VERMOGENSOPVOERING**

2” intensieve afzuigingsnelheid (met timer) te kiezen.

Let op: Na vijf minuten gaat de kap terug werken aan de snelheid die eerder werd gebruikt.

T7. AUTOMATISCHE MODUS “COOK SENSE”

De kap verhoogt de afzuigingsnelheid automatisch tot 1 als de sensor in de kap voelt dat dit nodig is in verband met de omgevingsomstandigheden.

Als de omgevingsomstandigheden niet veranderen – en de kap al op afzuigingsnelheid 1 staat – wordt de kap na vijf minuten uitgeschakeld.

Let op: Om er zeker van te zijn dat deze functie correct wordt gebruikt, **configureert u eerst de parameters voor de automatische werkwijze** volgens de uitleg in het betreffende deel.

Let op: Wanneer u de automatische modus gebruikt en andere functies die de snelheid regelen verandert, wordt de functie “Cook Sense” uitgeschakeld.

T8. VERZADIGINGSINDICATORS VAN DE FILTER

De kap signaleert regelmatig de behoefte om de filter te onderhouden.

Let op: De indicators functioneren alleen wanneer de kap aangezet is.

T8-toets brandt: Voer onderhoud uit aan de vetfilter.

T8-toets knippert: Voer onderhoud uit aan het koolstoffilter.

De indicatoren van filterverzadiging resetten:

Let op: Dit moet uitgevoerd worden als de kap ingeschakeld is.

Houd de toets **T8** ingedrukt.

De indicator van de verzadiging van het koolstoffilter activeren

Let op: Dit moet uitgevoerd worden als de afzuigmotor uitgeschakeld is.

Deze indicator is gewoonlijk uitgeschakeld – houd de toetsen **T3** en **T10** tegelijkertijd ingedrukt om de functie in te schakelen: De toetsen lichten op om de inschakeling aan te geven.

Om de functie uit te schakelen, houdt u opnieuw dezelfde toetsen (**T3** en **T10**) ingedrukt: De toetsen knipperen even en gaan vervolgens uit om de uitschakeling aan te geven.

T9. “DAILY AIR SENSE”-MODUS AAN/UIT

De kap verhoogt de afzuigingsnelheid automatisch tot 1 als de sensor in de kap voelt dat de omgevingsomstandigheden dit vereisen.

Als de afzuigingsnelheid niet wordt veranderd door de gedetecteerde omgevingsomstandigheden, wordt de kap na twee uren uitgeschakeld.

De kap wordt in ieder geval na vijf uren gebruik uitgeschakeld, onafhankelijk van de werkwijze.

Let op: Om er zeker van te zijn dat deze functie correct wordt gebruikt, **configureert u eerst de parameters voor de automatische werkwijze** volgens de uitleg in het betreffende deel.

T10. “INTENSIVE AIR SENSE”-MODUS AAN/UIT

De kap verhoogt de afzuigingsnelheid automatisch tot 5 als de sensor in de kap voelt dat de omgevingsomstandigheden dit vereisen.

Als de afzuigingsnelheid niet wordt veranderd door de gedetecteerde omgevingsomstandigheden, wordt de kap na twee uren uitgeschakeld.

De kap wordt in ieder geval na vijf uren gebruik uitgeschakeld, onafhankelijk van de werkwijze.

Let op: Om er zeker van te zijn dat deze functie correct wordt gebruikt, **configureert u eerst de parameters voor de automatische werkwijze** volgens de uitleg in het betreffende deel.

DE PARAMETERS VOOR DE AUTOMATISCHE MODUS CONFIGUREREN

Om er zeker van te zijn dat de automatische modus correct wordt gebruikt, dient u de kap te kalibreren en het kookplaattype te selecteren.

De kap kalibreren

Let op: Dit moet uitgevoerd worden als het apparaat in stand-by staat, d.w.z. een minuut na de uitschakeling van de motor.

Houd de toets **T4** vijf seconden lang ingedrukt.

De afzuigsnelheid 1 wordt ingeschakeld en de toets **T4** gaat knippen om aan te geven dat de kapkalibratie gestart is (dat duurt ongeveer 15 minuten).

Let op: Om de kalibratieprocedure te stoppen houdt u de toets **T4** vijf seconden lang ingedrukt. De kalibratie wordt dan ongeldig gemaakt en moet bijgevolg herhaald worden.

Let op: De kalibratie wordt automatisch uitgevoerd wanneer de stroomtoevoer naar het product de eerste maal wordt aangezet. **T4** gaat knippen. Wacht 15 minuten tot de kalibratie helemaal uitgevoerd is.

Het kookplaattype selecteren

Let op: Dit moet uitgevoerd worden als het apparaat in stand-by staat, d.w.z. een minuut na de uitschakeling van de motor.

Houd de toetsen **T9** en **T10** vijf seconden lang ingedrukt.

De toetsen **T9** en **T10** lichten op.

Als u gas gebruikt om de kookplaat te doen functioneren, drukt u op de toets **T9** – de toets knippert om aan te geven dat het geselecteerd werd.

Als u elektriciteit gebruikt om de kookplaat te doen functioneren, drukt u op de toets **T10** – de toets knippert om aan te geven dat het geselecteerd werd.

Na het indrukken knippert de toets drie seconden om aan te geven dat uw selectie werd opgeslagen.

ONDERHOUD

Schoonmaak

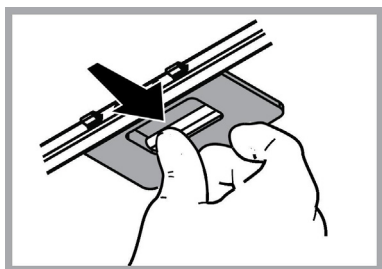
ALLEEN reinigen met een doek die is bevochtigd met een neutraal vloeibaar schoonmaakmiddel. **GEBRUIK BIJ HET REINIGEN GEEN GEREEDSCHAPPEN OF ANDERE VOORWERPEN.** Gebruik geen schuurmiddelen. **GEBRUIK GEEN ALCOHOL!**

Onderhoud van de vetfilters

Vangt vetdeeltjes op uit de kookdampen.

Moet één keer per maand worden gereinigd (of als de aanwijzer verzadigde filters – indien aanwezig op het model in Uw bezit – deze noodzaak aangeeft) met neutrale reinigingsmiddelen, met de hand of in de vaatwasmachine op lage temperaturen en met een kort programma. Door hem in de vaatwasmachine te wassen kan het metalen vetfilter ontkleuren, maar dit is niet van invloed op de eigenschappen, die beslist niet veranderen.

Trek aan de verende hendel om het vetfilter te verwijderen.



Onderhoud van het koolstoffilter

Absorbeert ongewenste kookgeurtjes. De verzadiging van het koolstoffilter vindt plaats na een min of meer langdurig gebruik en hangt af van de manier waarop wordt gekookt en de regelmaat waarmee het vetfilter wordt gewassen.

In ieder geval moet het filterpatroon minstens om de 5 jaar worden vervangen.

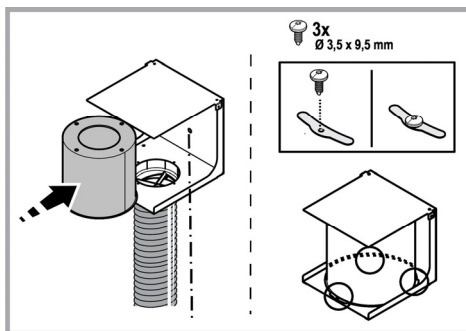
Het mag **NIET** gewassen of opnieuw gebruikt worden

Om uitstekende zuigresultaten te bereiken, is dit filter iets groter dan de standaard filters en het is gemonteerd op een

steun boven de kap.

Plaatsen of vervangen van de koolstoffilter

1. Haal de stekker van de kap uit het stopcontact.
 2. Plaats het cilindrische filter in de steun.
 3. Zet het filter vast met de schroeven en plaatjes die met het apparaat zijn meegeleverd.
- Ga in omgekeerde volgorde te werk om te verwijderen.



Vervanging lampjes

De kap is voorzien van een verlichtingssysteem gebaseerd op de LEDDEN technologie.

De Ledden zorgen voor een optimale verlichting, voor een 10 maal langere tijdsduur ten opzichte van de traditionele lampjes en een elektriciteitsbesparing van wel 90%.


Om de lampen te vervangen, neem contact op met de erkende assistentie service voor de reserveonderdelen.

VERWIJDERING

Dit toestel is gemarkeerd in overeenstemming met Europese richtlijn 2012/19/EC betreffende afgedankte elektrische en elektronische apparatuur (AEEA).

Zorg aan het einde van de levensduur van het apparaat dat het op de juiste manier wordt afgevoerd en verwerkt. Zo voorkomt u negatieve gevolgen voor volksgezondheid en milieu.



Het pictogram  op het product en/of in de bijbehorende documenten geeft aan dat dit apparaat niet als normaal huishoudelijk afval mag worden behandeld. Het product dient te worden afgegeven bij een officieel innamepunt voor elektrische en elektronische apparatuur om gerecycled te worden. Afvoer en verwerking moet worden uitgevoerd volgens plaatselijke milieu-regelgeving. Neem voor nadere informatie over inzamelen, verwerken en recyclen van dit product contact op met de betreffende afdeling van de lokale overheid, of de afdeling van uw leverancier die verantwoordelijkheid draagt voor afvalverwerking.

Toestel ontworpen, getest en gefabriceerd volgens:

- Veiligheid: EN/IEC 60335-1; EN/IEC 60335-2-31, EN/IEC 62233.
- Prestaties: EN/IEC 61591; ISO 5167-1; ISO 5167-3; ISO 5168; EN/IEC 60704-1; EN/IEC 60704-2-13; EN/IEC 60704-3; ISO 3741; EN 50564; IEC 62301.
- EMC: EN 55014-1; CISPR 14-1; EN 55014-2; CISPR 14-2; EN/IEC 61000-3-2; EN/IEC 61000-3-3. Suggesties voor correct gebruik om impact op het milieu te verkleinen: zet de afzuigkap aan op de laagste snelheid wanneer u gaat koken en laat hem na afloop nog een paar minuten doorlopen. Kies alleen een hogere snelheid bij grote hoeveelheden damp of rook en gebruik de hoge snelheid/snelheden (Boost) alleen voor extreme omstandigheden. Vervang tijdig de koolfilter(s) om de afzuiging van kookgeurtjes zo effectief mogelijk te houden. Vervang tijdig vetfilter(s) om de gevolgen van vetafzetting zo effectief mogelijk tegen te gaan. Gebruik buizen van de maximale doorsnede zoals vermeld in deze gids, voor optimale efficiëntie en minimale geluidsproductie.

STORINGEN

Bij een storing van de afzuigkap, voer de volgende controles uit alvorens de Technische Dienst te raadplegen:

- Als de afzuigkap niet functioneert:
Controleer of: Controleer dat:
 - er geen stroomonderbreking is.
 - er een snelheid is geselecteerd.
- Bij een laag rendement van de afzuigkap:
Controleer of: Controleer dat:
 - de ingestelde snelheid volstaat voor de afgegeven hoeveelheid rook en dampen.
 - de keuken is voldoende geventileerd voor een correcte luchttoevoer.
 - de koolstoffilter niet is verzadigd (i.g.v. recirculatie).
- het uitvallen van de afzuigkap tijdens de normale werking heeft plaatsgevonden.
Controleer of: Controleer dat:
 - er geen stroomonderbreking is.
 - de omnipolaire schakelaar niet is opgetreden.

In geval van storingen, voordat U zich tot de assistentie service wendt, minstens 5 seconden het apparaat van de elektrische voeding doen, door de stekker uit te trekken, en daarna weer invoeren. In het geval dat de storing blijft voortbestaan, wendt U zich tot de assistentie service.

TECHNISCHE GEGEVENS

Højde (cm)	Bredde (cm)	Dybde (cm)	Ø på udsugningsrør (cm)
110-129,5	89,8	32	15

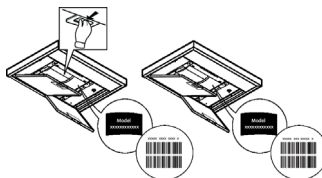


Niet meegeleverde onderdelen



U kunt de Veiligheidsinstructies, de Handleiding, de Productfiche en de Energiegegevens downloaden:

- Op onze website docs.whirlpool.eu
- Gebruik makend van de QR-code
- Anders, **contacteer onze Klantenservice** (Het telefoonnummer staat in het garantieboekje). Wanneer u contact neemt met de Klantenservice, gelieve de codes te vermelden die op het identificatieplaatje van het apparaat staan.



SICUREZZA GENERALE

- Prima di qualsiasi operazione di pulizia o manutenzione, disinserire la cappa dalla rete elettrica togliendo la spina o staccando l'interruttore generale dell'abitazione.
 - Per tutte le operazioni di installazione e manutenzione utilizzare guanti da lavoro.
 - L'apparecchio può essere utilizzato da bambini di età non inferiore a 8 anni e da persone con ridotte capacità fisiche, sensoriali o mentali, o prive di esperienza o della necessaria conoscenza, purché sotto sorveglianza oppure dopo che le stesse abbiano ricevuto istruzioni relative all'uso sicuro dell'apparecchio e alla comprensione dei pericoli ad esso inerenti.
 - I bambini devono essere controllati affinché non giochino con l'apparecchio.
 - La pulizia e la manutenzione non deve essere effettuata da bambini senza sorveglianza.
 - Il locale deve disporre di sufficiente ventilazione, quando la cappa da cucina viene utilizzata contemporaneamente ad altri apparecchi a combustione di gas o altri combustibili.
 - La cappa va frequentemente pulita sia internamente che esternamente (ALMENO UNA VOLTA AL MESE), rispettare comunque quanto espressamente indicato nelle istruzioni di manutenzione. L'inosservanza delle norme di pulizia della cappa e della sostituzione e pulizia dei filtri comporta rischi di incendi.
 - E' severamente vietato fare cibi alla fiamma sotto la cappa.
 - Per la sostituzione della lampada utilizzare solo il tipo lampada indicato nella sezione manutenzione /sostituzione lampada di questo manuale.
- L'impiego di fiamma libera è dannoso ai filtri e può dar luogo ad incendi, pertanto deve essere evitato in ogni caso.

La frittura deve essere fatta sotto controllo onde evitare che l'olio surriscaldato prenda fuoco.

ATTENZIONE: Quando il piano di cottura è in funzione le parti accessibili della cappa possono diventare calde.

- Non collegare l'apparecchio alla rete elettrica finché l'installazione non è totalmente completata.
- Per quanto riguarda le misure tecniche e di sicurezza da adottare per lo scarico dei fumi attenersi strettamente a quanto previsto dai regolamenti delle autorità locali competenti.
- L'aria aspirata non deve essere convogliata in un condotto usato per lo scarico dei fumi prodotti da apparecchi a combustione di gas o di altri combustibili.
- Non utilizzare o lasciare la cappa priva di lampade correttamente montate per possibile rischio di scossa elettrica.
- Mai utilizzare la cappa senza griglia correttamente montata!
- La cappa non va MAI utilizzata come piano di appoggio a meno che non sia espressamente indicato.
- Utilizzare solo le viti di fissaggio in dotazione con il prodotto per l'installazione o, se non in dotazione, acquistare il tipo di viti corretto.
- Utilizzare la lunghezza corretta per le viti che sono identificati nella Guida all'installazione.
- In caso di dubbio, consultare il centro di assistenza autorizzato o personale qualificato similare.

▲ ATTENZIONE!

- La mancata installazione di viti e dispositivi di fissaggio in conformità di queste istruzioni può comportare rischi di natura elettrica.

- Non utilizzare con un programmatore, timer, telecomando separato o qualsiasi altro dispositivo che si attiva automaticamente.

Tenere i bambini di età inferiore a 3 anni lontani dall'apparecchio. Senza la sorveglianza costante di un adulto, tenere l'apparecchio fuori dalla portata dei bambini di età inferiore a 8 anni.

⚠ ATTENZIONE: l'apparecchio non è destinato ad essere messo in funzione mediante un dispositivo esterno o un sistema di comando a distanza separato.

⚠ Questo apparecchio non è destinato all'uso professionale. Non utilizzare l'apparecchio all'aperto.

⚠ Per evitare il rischio di lesioni personali, l'apparecchio deve essere movimentato e installato da due o più persone.

⚠ L'installazione, comprendente anche eventuali raccordi per l'alimentazione idrica (se previsti) e i collegamenti elettrici, e gli interventi di riparazione devono essere eseguiti da personale qualificato.

A installazione completata, conservare il materiale di imballaggio (parti in plastica, polistirolo, ecc.) fuori dalla portata dei bambini per evitare il rischio di soffocamento.

Non utilizzare l'apparecchio quando si è bagnati oppure a piedi nudi.

Mai utilizzare apparecchi per pulizia a vapore – rischio di shock elettrico.

Il materiale dell'imballo è riciclabile al 100% ed è contrassegnato con il simbolo del riciclo



La cappa può avere estetiche differenti rispetto a quanto illustrato nei disegni di questo libretto, comunque le istruzioni per l'uso, la manutenzione e l'installazione rimangono le stesse.

Attenersi strettamente alle istruzioni riportate in questo manuale. Si declina ogni responsabilità per eventuali inconvenienti, danni o incendi provocati all'apparecchio derivati dall'inosservanza delle istruzioni riportate in questo manuale. La cappa è concepita per l'aspirazione dei fumi e vapori della cottura ed è destinata al solo uso domestico.

- È importante conservare tutti i manuali che accompagnano il prodotto per poterli consultare in ogni momento. In caso di vendita, di cessione o di trasloco, assicurarsi che restino insieme al prodotto.
- Leggere attentamente le istruzioni: ci sono importanti informazioni sull'installazione, sull'uso e sulla sicurezza.
- Non effettuare variazioni elettriche o meccaniche sul prodotto o sulle condotte di scarico.
- Verificare l'integrità della cappa prima di procedere con l'installazione. In caso contrario contattare il rivenditore e non proseguire con l'installazione.

La distanza minima fra la superficie di supporto dei recipienti sul dispositivo di cottura e la parte più bassa della cappa da cucina deve essere non inferiore a 50 cm in caso di cucine elettriche e di 65 cm in caso di cucine a gas o miste.

Se le istruzioni di installazione del dispositivo di cottura a gas specificano una distanza maggiore, bisogna tenerne conto.

COLLEGAMENTO ELETTRICO

La tensione di rete deve corrispondere alla tensione riportata sull'etichetta caratteristiche situata all'interno della cappa. Se provvista di spina allacciare la cappa ad una presa conforme alle norme vigenti posta in zona accessibile anche dopo l'installazione. Se sprovvista di spina (collegamento diretto alla rete) o la spina non è posta in zona accessibile, anche dopo installazione, applicare un interruttore bipolare a norma che assicuri la disconnessione completa della rete nelle condizioni della categoria di sovratensione III, conformemente alle regole di installazione.

⚠ ATTENZIONE!


Prima di ricollegare il circuito della cappa all'alimentazione di rete e di verificarne il corretto funzionamento, controllare sempre che il cavo di rete sia stato montato correttamente.

Se il cavo non è provvisto di spina, collegare i fili attenendosi alla tabella seguente:

Tensione e frequenza della rete

Fare riferimento al valore indicato nella etichetta caratteristiche all'interno della cappa.

Collegamento fili

 : giallo/verde
 N : blu
 L : marrone

Sostituzione del cavo di alimentazione

La cappa è provvista di un cavo alimentazione speciale; in caso di danneggiamento del cavo, richiederlo al servizio assistenza tecnica.

SCARICO DELL'ARIA

FILTRANTE O ASPIRANTE?

La vostra cappa è stata progettata per essere utilizzata unicamente in versione filtrante

L'aria aspirata verrà sgrassata e deodorata prima di essere riconvogliata nella stanza.

Il sistema di filtraggio prevede un filtro ai carboni attivi High Performance

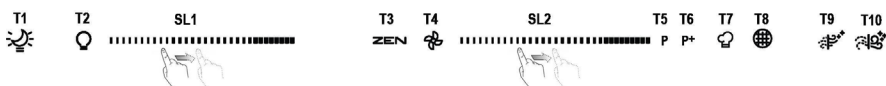
Nota: per le sue caratteristiche tecniche, non è possibile utilizzare la cappa in versione aspirante
Importante! Per procedere all'installazione è necessario l'utilizzo di un tubo di tipo flessibile

Versione filtrante

L'aria aspirata verrà sgrassata e deodorata prima di essere riconvogliata nella stanza. Per utilizzare la cappa in questa versione è necessario installare un sistema di filtraggio aggiuntivo a base di carboni attivi.

COMANDI

La cappa è fornita di un pannello comandi con un controllo delle velocità di aspirazione ed un controllo di accensione della luce per l'illuminazione del piano di cottura.



T1. Accensione/spegnimento della "luce notturna"

T2. Accensione/spegnimento delle luci del piano di cottura – Selezione della temperatura del colore

T3. Funzionamento in "modalità ZEN"

T4. ON/OFF Motore

T5. Funzione "BOOST 1"

T6. Funzione "BOOST 2"

T7. Modalità automatica "Cook Sense"

T8. Indicatore saturazione filtri

T9. Attivazione/disattivazione della modalità "Daily Air Sense"

T10. Attivazione/disattivazione della modalità "Intensive Air Sense"

T1. ACCENSIONE/SPEGNIMENTO DELLA "LUCE NOTTURNA"

Premere per accendere/spegnere l'illuminazione soffusa ambiente.

T2. ON/OFF LUCI PIANO COTTURA – SELEZIONE TEMPERATURA DI COLORE

Premere per accendere/spegnere l'illuminazione del piano cottura.

• a luci accese, sfiorare la striscia led **SL1** con le dita verso destra o verso sinistra rispettivamente per aumentare o diminuire l'intensità della luce.

Per impostare la temperatura di colore dell'illuminazione

• premere nuovamente (a lungo)

• sfiorare la striscia led **SL1** con le dita verso destra o verso sinistra per ottenere una luce più fredda o più calda.

Se non ci sono cambiamenti di colore per 5 secondi, **SL1** lampeggia sul livello di colore impostato e un segnale acustico indica che il sistema ha salvato la configurazione impostata.

Nota: la luce si accende all'ultima intensità impostata prima dello spegnimento.

T3. FUNZIONAMENTO IN "MODALITÀ ZEN"

Premere per attivare/disattivare la modalità di aspirazione "ZEN".

Questa funzione permette di attivare una velocità di aspirazione che risulti il miglior compromesso fra silenziosità ed efficienza di aspirazione.

T4. ON/OFF MOTORE

Premere per accendere/spegnere il motore di aspirazione.

• a motore acceso, sfiorare la striscia led **SL2** con le dita verso destra o verso sinistra rispettivamente per aumentare o diminuire la velocità di aspirazione.

T5. FUNZIONE “BOOST 1”

Da motore di aspirazione acceso, premere T5 per attivare la velocità di **aspirazione intensiva “POWER BOOST 1”** (temporizzata).

Nota: Dopo 5 minuti la cappa continua funzionare alla velocità precedentemente impostata.

T6. FUNZIONE “POWER BOOST 2”

Da motore di aspirazione acceso, premere T6 per attivare la velocità di

aspirazione intensiva “POWER BOOST 2” (temporizzata).

Nota: Dopo 5 minuti la cappa continua funzionare alla velocità precedentemente impostata.

T7. MODALITÀ AUTOMATICA “COOK SENSE”

La cappa imposta automaticamente la velocità di aspirazione 1 per aumentare se le condizioni ambientali rilevate dal sensore della cappa lo richiedono.

In assenza di variazioni delle condizioni ambientali, dopo 5 minuti (se la cappa è già in velocità di aspirazione 1), la cappa si spegne.

Nota: per un uso corretto di questo funzione eseguire prima la **“Regolazione dei parametri per il Funzionamento automatico”** (vedi paragrafo relativo).

Nota: se durante il funzionamento automatico si agisce sulle altre funzioni che regolano la velocità, la funzione “Cook Sense” si disattiva.

T8. INDICATORE SATURAZIONE FILTRI

Ad intervalli regolari la cappa segnala la necessità di eseguire la manutenzione dei filtri.

Nota: gli indicatori si attivano a cappa accesa.

Tasto **T8** acceso: eseguire la manutenzione del filtro grassi.

Tasto **T8** lampeggiante: eseguire la manutenzione del filtro carbone.

Reset indicatori saturazione filtri:

Nota: questa operazione va eseguita a cappa accesa.

Premere a lungo il tasto **T8**.

Attivazione indicatore saturazione filtro al carbone

Nota: questa operazione va eseguita a motore di aspirazione spento.

Questo indicatore è normalmente disattivato premere contemporaneamente i tasti **T3** e **T10** a lungo per attivare la funzione: i tasti si illuminano ad indicare l'avvenuta attivazione.

Per disattivare la funzione, premere nuovamente gli stessi tasti (**T3** e **T10**) a lungo: i tasti lampeggiano brevemente, per poi spegnersi, ad indicare l'avvenuta disattivazione.

T9. ATTIVAZIONE/DISATTIVAZIONE DELLA MODALITÀ “DAILY AIR SENSE”

La cappa imposta automaticamente la velocità di aspirazione 1 per aumentare se le condizioni ambientali rilevate dal sensore della cappa lo richiedono.

In assenza di variazioni della velocità di aspirazione, in base alle condizioni ambientali rilevate, dopo 2 ore, la cappa si spegne.

In ogni modo dopo 5 ore la cappa si disattiva comunque, forzatamente.

Nota: per un uso corretto di questo funzione eseguire prima la **“Regolazione dei parametri per il Funzionamento automatico”** (vedi paragrafo relativo).

T10. ATTIVAZIONE/DISATTIVAZIONE DELLA MODALITÀ “INTENSIVE AIR SENSE”

La cappa imposta automaticamente la velocità di aspirazione 5 per aumentare se le condizioni ambientali rilevate dal sensore della cappa lo richiedono.

In assenza di variazioni della velocità di aspirazione, in base alle condizioni ambientali rilevate, dopo 2 ore, la cappa si spegne.

In ogni modo dopo 5 ore la cappa si disattiva comunque, forzatamente.

Nota: per un uso corretto di questo funzione eseguire prima la **“Regolazione dei parametri per il Funzionamento automatico”** (vedi paragrafo relativo).

REGOLAZIONE DEI PARAMETRI PER IL FUNZIONAMENTO AUTOMATICO

Ai fini di un uso corretto del funzionamento automatico eseguire la “Calibrazione della cappa” e la “Selezione del piano di cottura”.

Calibrazione della cappa

Nota: questa operazione va eseguita in condizione di stand-by, cioè dopo 1 minuto dallo spegnimento del motore.

Premere il tasto **T4** per 5 secondi.

La velocità di aspirazione 1 inizia a funzionare ed il tasto **T4** lampeggia ad indicare che ha avuto inizio la calibrazione della cappa che durerà per 15 minuti circa.

Nota: per interrompere la calibrazione premere **T4** per 5 secondi; la calibrazione risulterà invalidata, e dovrà quindi essere ripetuta.

Nota: alla prima alimentazione del prodotto la calibrazione viene eseguita automaticamente: **T4** lampeggiante; quindi attendere 15 minuti che la calibrazione sia completata.

Selezione del piano di cottura

Nota: questa operazione va eseguita in condizione di stand-by, cioè dopo 1 minuto dallo spegnimento del motore.

Premere il tasto **T9+T10** per 5 secondi.

I tasti **T9** e **T10** si accendono.

Premere il tasto **T9** nel caso di piano di cottura a gas - il tasto lampeggia ad indicare l'avvenuta selezione.

Premere il tasto **T10** nel caso di piano di cottura elettrico - il tasto lampeggia ad indicare l'avvenuta selezione.

Il tasto premuto lampeggerà per 3 secondi, ad indicare che la selezione è stata memorizzata.

MANUTENZIONE

Pulizia

Per la pulizia usare **ESCLUSIVAMENTE** un panno inumidito con detersivi liquidi neutri. **NON UTILIZZARE UTENSILI O STRUMENTI PER LA PULIZIA!**

Evitare l'uso di prodotti contenenti abrasivi. **NON UTILIZZARE ALCOOL!**

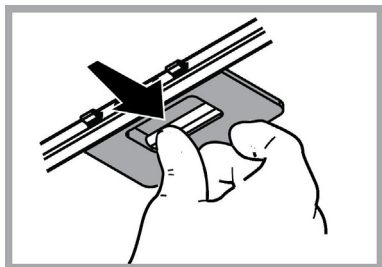
Manutenzione dei filtri antigrasso

Trattiene le particelle di grasso derivanti dalla cottura.

Deve essere pulito una volta al mese (o quando il sistema di indicazione di saturazione dei filtri - se previsto sul modello in possesso- indica questa necessità), con detersivi non aggressivi, manualmente oppure in lavastoviglie a basse temperature ed a ciclo breve.

Con il lavaggio in lavastoviglie il filtro antigrasso metallico può scolorirsi ma le sue caratteristiche di filtraggio non cambiano assolutamente.

Per smontare il filtro grassi tirare la maniglia di sgancio a molla.



Manutenzione del filtro al carbone

Trattiene gli odori sgradevoli derivanti dalla cottura.

La saturazione del filtro carbone si verifica dopo un uso più o meno prolungato, a seconda del tipo di cucina e della regolarità della pulizia del filtro grassi.

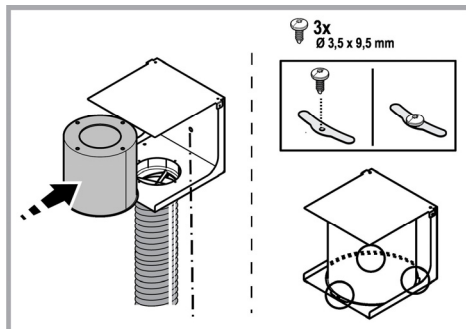
In ogni caso è necessario sostituire la cartuccia al massimo ogni 5 anni.

NON può essere lavato o rigenerato

Per ottenere eccellenti performance di aspirazione, il filtro è più grande dei filtri standard ed è installato su di un supporto al di sopra della cappa.

1. Scollegare la cappa dalla rete elettrica.
2. Inserire il filtro cilindrico all'interno del supporto.
3. Fissare il filtro tramite viti e piastrelli, forniti in dotazione.

Per lo smontaggio procedere in senso inverso.



Sostituzione delle lampade

La cappa è dotata di un sistema di illuminazione basato sulla tecnologia LED.

I LED garantiscono una illuminazione ottimale, una durata fino a 10 volte maggiore delle lampade tradizionali e consentono di risparmiare il 90% di energia elettrica.

Per la sostituzione delle lampade, contattare il centro autorizzato per i ricambi.

SMALTIMENTO

Questo apparecchio è contrassegnato in conformità alla Direttiva Europea 2012/19/EC, Waste Electrical and Electronic Equipment (WEEE). Assicurandosi che questo prodotto sia smaltito in modo corretto, l'utente contribuisce a prevenire le potenziali conseguenze negative per l'ambiente e la salute.



Il simbolo sul prodotto o sulla documentazione di accompagnamento indica che questo prodotto non deve essere trattato come rifiuto domestico ma deve essere consegnato presso l'idoneo punto di raccolta per il riciclaggio di apparecchiature elettriche ed elettroniche. Disfarsene seguendo le normative locali per lo smaltimento dei rifiuti. Per ulteriori informazioni sul trattamento, recupero e riciclaggio di questo prodotto, contattare l'idoneo ufficio locale, il servizio di raccolta dei rifiuti domestici o il negozio presso il quale il prodotto è stato acquistato.

Apparecchiatura progettata, testata e realizzata nel rispetto delle norme sulla:

- Sicurezza: EN/IEC 60335-1; EN/IEC 60335-2-31, EN/IEC 62233.
- Prestazione: EN/IEC 61591; ISO 5167-1; ISO 5167-3; ISO 5168; EN/IEC 60704-1; EN/IEC 60704-2-13; EN/IEC 60704-3; ISO 3741; EN 50564; IEC 62301.
- EMC: EN 55014-1; CISPR 14-1; EN 55014-2; CISPR 14-2; EN/IEC 61000-3-2; EN/IEC 61000-3-3. Suggestioni per un corretto utilizzo al fine di ridurre l'impatto ambientale: Quando iniziate a cucinare, accendere la cappa alla velocità minima, lasciandola accesa per alcuni minuti anche dopo il termine della cottura. Aumentare la velocità solo in caso di grandi quantità di fumo e vapore, utilizzando la funzione booster solo in casi estremi. Per mantenere ben efficiente il sistema di riduzione degli odori, sostituire, quando è necessario, il/i filtro/i carbone. Per mantenere ben efficiente il filtro del grasso, pulirlo in caso di necessità. Per ottimizzare l'efficienza e minimizzare i rumori, utilizzare il diametro massimo del sistema di canalizzazione indicato in questo manuale.

ANOMALIE DI FUNZIONAMENTO

Se qualcosa non sembra funzionare, prima di chiamare il Servizio Assistenza effettuare i seguenti semplici controlli:

- Se la cappa non funziona:
Verificare che:
 - non c'è interruzione di corrente.
 - è stata selezionata una velocità.
- Se la cappa ha un rendimento scarso:
Verificare che:
 - La velocità motore selezionata è sufficiente per la quantità di fumo e di vapori liberata.
 - La cucina è sufficientemente areata per permettere una presa d'aria.
 - Il filtro carbone non è consumato (cappa in versione filtrante).
- Se la cappa si è spenta nel corso del normale funzionamento:
Verificare che:
 - non c'è interruzione di corrente.
 - il dispositivo di interruzione omnipolare non è scattato.

In caso di eventuali anomalie di funzionamento, prima di rivolgerVi al servizio assistenza scollegate per almeno 5 sec. l'apparecchio dall'alimentazione elettrica estraendo la spina e collegatelo poi nuovamente. Nel caso in cui l'anomalia di funzionamento dovesse perdurare, rivolgersi al servizio d'assistenza.

DATI TECNICI

Altezza (cm)	Larghezza (cm)	Profondità (cm)	Ø del tubodi scarico (cm)
110-129,5	89,8	32	15

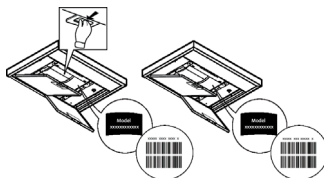


Componenti non in dotazione con il prodotto



Per scaricare le istruzioni di sicurezza, il manuale d'uso, la scheda tecnica e i dati energetici:

- Visitare il sito web docs.whirlpool.eu
- Usare il codice QR
- Oppure, **contattare il Servizio Assistenza** (al numero di telefono riportato sul libretto di garanzia). Quando si contatta il Servizio Assistenza, fornire i codici presenti sulla targhetta matricola del prodotto.



SEGURIDAD GENERAL

- Antes de llevar a cabo cualquier operación de limpieza o mantenimiento, desconectar la campana de la alimentación eléctrica desenchufando la clavija o desconectando el interruptor general de la vivienda.
- Para todas las operaciones de instalación y mantenimiento utilizar los guantes de trabajo.
- El aparato puede ser usado por niños mayores a 8 años y por personas con discapacidades físicas, sensoriales o mentales, o con falta de experiencia o de conocimiento necesario, previsto que estén bajo vigilancia o después de que las mismas hayan recibido instrucción relacionada con el uso seguro del aparato y de la comprensión de los peligros inherentes a éste.
- Los niños deben ser supervisados para asegurarse de que no jueguen con el aparato.
- La limpieza y el mantenimiento no deben ser realizados por niños sin debida supervisión.
- La habitación debe estar suficientemente ventilada cuando la campana se utiliza contemporáneamente con otros dispositivos a combustión de gas u otros combustibles.
- La campana debe ser limpiada con frecuencia, tanto internamente como externamente (POR LO MENOS UNA VEZ AL MES), en todo caso seguir lo que se indica expresamente en las instrucciones de mantenimiento.
- La inobservancia de las normas de limpieza de la campana y del cambio y la limpieza puede comportar riesgo de incendios.
- Es estrictamente prohibido flamear los alimentos bajo la campana.
- Para la sustitución de la lámpara sólo utilizar el tipo de lámpara indicado en la sección de mantenimiento/sustitución de este manual.

El uso de una llama libre es perjudicial para los filtros y puede provocar incendios, por lo tanto, debe evitarse en cualquier caso.

Los fritos debe realizarse con cuidado para evitar que el aceite caliente prenda fuego.

ATENCIÓN: Cuando la placa de cocción está funcionando las partes accesibles de la campana pueden calentarse.

- No conectar la unidad a la red eléctrica hasta que la instalación sea totalmente completada.
- En cuanto a las medidas técnicas y de seguridad a adoptar para la descarga de los humos, seguir estrictamente lo previsto por los reglamentos de las autoridades locales competentes.
- El aire aspirado no debe ser transportado en un conducto usado para la descarga de humos producidos por dispositivos de combustión a gas u otros combustibles.
- No utilizar ni dejar la campana sin las luces correctamente instaladas debido al posible riesgo de descarga eléctrica.
- No utilizar nunca la campana sin la rejilla montada correctamente!
- La campana NUNCA debe utilizarse como una superficie de apoyo a menos que así se indique específicamente.
- Utilizar sólo los tornillos para fijación suministrados con el producto para su instalación, o, si no se suministran, comprar el tipo correcto de tornillos. Utilizar la longitud correcta para los tornillos que se identifican en la Guía de instalación.
- En caso de duda, consultar el centro de asistencia autorizado o un similar personal calificado.

¡ATENCIÓN!

- Si no se instalan los tornillos y elementos de fijación de acuerdo con estas instrucciones se puede incurrir en riesgos de

naturaleza eléctricos.

- No utilizar con un programador, temporizador, mando a distancia separado o cualquier otro dispositivo que se active automáticamente.

Mantener a los niños menores de 3 años alejados del equipo. Sin la vigilancia constante de un adulto, mantener el equipo alejado del alcance de niños menores de 8 años.

⚠ ATENCIÓN: el equipo no está destinado para ser puesto en funcionamiento mediante un dispositivo externo o un sistema de mando a distancia separado.

⚠ Este equipo no está destinado al uso profesional. No utilizar el equipo al abierto.

⚠ Para evitar el riesgo de lesiones personales, el equipo debe ser movilizado e instalado por dos o más personas.

⚠ La instalación, incluye además eventuales empalmes para la alimentación hídrica (si están previstos) y las conexiones eléctricas, y las intervenciones de reparación deben ser realizadas por personal cualificado.

Al finalizar la instalación, conservar el material de embalaje (partes en plástico, polistireno, etc.) fuera del alcance de los niños para evitar el riesgo de asfixia. .

No utilizar el equipo cuando se está mojado o descalzo.

Nunca utilizar equipos para limpieza a vapor – riesgo de descarga eléctrica.

El material del embalaje es reciclable al 100% y está marcado con el símbolo de reciclaje



La campana puede ser diferente con respecto a los dibujos de este manual, aunque las instrucciones para su uso, la manutención y la instalación son las mismas.

Aténgase estrictamente a las instrucciones del presente manual. Se declina cada responsabilidad por eventuales inconvenientes, daños o incendios provocados al aparato originados por la inobservancia de las instrucciones colocadas en este manual. La campana extractora ha sido ideada para la aspiración de humos y vapores producidos durante la cocción y para el uso doméstico.

- Es importante guardar este manual para poder consultar si fuera necesario. En el caso de venta, de inutilidad o de mudanza, asegurarse que quede junto al producto.
- Leer atentamente las instrucciones: contiene importantes informaciones sobre la instalación, el uso y la seguridad.
- No realizar variaciones eléctricas o mecánicas en el producto o en el tubo de escape.
- Antes de instalar el aparato, controlar que todas sus partes no estén dañadas. En caso contrario llamar al revendedor y no realizar la instalación.

La distancia mínima entre la superficie de cocción y la parte más baja de la campana no debe ser inferior a 50cm en el caso de cocinas eléctricas y de 65cm en el caso de cocinas a gas o mixtas.

Si las instrucciones para la instalación del dispositivo para cocinar con gas especifican una distancia mayor, hay que tenerlo en consideración.

CONEXIÓN ELÉCTRICA

La tensión de red debe corresponder con la tensión indicada en la etiqueta colocada en el interior de la campana. Si es suministrada con un enchufe, conectar la campana a un enchufe conforme a las normas en vigor y colocarlo en una zona accesible, aun después de la instalación. Si no es suministrada con enchufe (conexión directa a la red) o clavija y no es posible situarla en un lugar accesible, aun después de la instalación, colocar un interruptor bipolar de acuerdo con las normativas, para asegurarse de la desconexión completa a la red en el caso de la categoría de alta tensión III, conforme con las reglas de instalación.

⚠ ATENCIÓN!

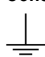
Antes de reconectar el circuito de la campana a la red y de verificar el correcto funcionamiento, controlar siempre que el cable de red fue montado correctamente.

Si el cable no dispone de enchufe, conecte los cables tal como indica la siguiente tabla:

Tensión y frecuencia de la red eléctrica

Consultar el valor indicado en la etiqueta de características dentro de la campana.

Conexión por cable

 : amarillo/verde
N : azul
L : marrón

Sustitución del cable de alimentación

La campana está provista de un cable de alimentación especial; si el cable se daña, solicite uno nuevo al Servicio de Asistencia Técnica.

EXTRACCIÓN DE AIRE

¿ FILTRANTE O ASPIRANTE ?

Vuestra campana de ventilación ha sido fabricada con el fin de ser utilizada únicamente en versión filtrante

El aire aspirado vendrá desgrasado y desodorizado antes de ser alimentado de nuevo en la habitación.

El sistema de filtraje comprende un filtro de carbón High Performance (Alto Rendimiento)

Nota: debido a sus características técnicas, no es posible utilizar la campana de ventilación en versión aspirante

Importante! Para proceder a la instalación es necesario utilizar un tubo flexible

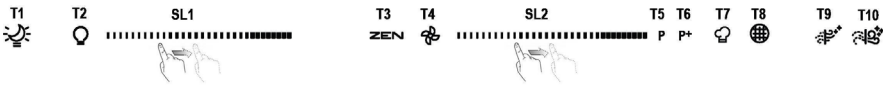
Versión filtrante

El aire aspirado vendrá desgrasado y desodorizado antes de ser alimentado de nuevo en la habitación.

Para utilizar la campana en esta versión es necesario instalar un sistema de filtración adicional a base de carbón activado.

MANDOS

La campana está dotada de un panel de mandos con control de las velocidades de aspiración y control de encendido de la luz para la iluminación del plano de cocción.



T1. "Luz nocturna" Encendida/Apagada

T2. Luces de la placa Encendidas/Apagadas – Seleccionar la temperatura del color

T3. Funcionamiento en "Modo ZEN"

T4. Motor Encendido/Apagado

T5. Función de "POTENCIA BOOST 1"

T6. Función de "POTENCIA BOOST 2"

T7. Modo automático "Cocción Sense"

T8. Indicador de saturación del filtro

T9. Modo de funcionamiento "Aire Sense diario" Encendido/Apagado

T10. Modo de funcionamiento "Aire Intensivo Sense" Encendido/Apagado

T1. "LUZ NOCTURNA" ENCENDIDA/APAGADA

Púlselo para encender o apagar la iluminación de fondo tenue.

T2. LUCES DE LA PLACA ENCENDIDAS/APAGADAS – SELECCIONAR LA TEMPERATURA DEL COLOR

Púlselo para encender o apagar las luces de la placa.

• Con las luces encendidas, deslice el dedo hacia la derecha o hacia la izquierda sobre la banda led **SL1** para aumentar o reducir la intensidad de la luz.

Para ajustar la temperatura de los colores de la luz

• Pulse (y mantenga pulsado) de nuevo,

• deslice el dedo hacia la derecha o hacia la izquierda sobre la banda led **SL1** para establecer una intensidad de la luz más fría o más cálida.

Si no cambia el color durante cinco segundos, **SL1** parpadeará en la configuración de color que ha seleccionado y sonará una señal acústica para indicar que el sistema ha guardado esta configuración.

Nota: La luz se encenderá en la última intensidad que haya establecido antes de apagar el aparato.

T3. FUNCIONAMIENTO EN "MODO ZEN"

Púlselo para activar o desactivar el modo de **extracción** "ZEN".

Esta función permite activar una velocidad de extracción con el equilibrio perfecto entre silencio y eficacia de extracción.

T4. MOTOR ENCENDIDO/APAGADO

Pulse para encender o apagar el **motor de extracción**.

• Con el motor encendido, deslice el dedo hacia la derecha o hacia la izquierda sobre la banda led **SL2** para aumentar o reducir la velocidad de extracción.

T5. FUNCIÓN DE “POTENCIA BOOST 1”

Con el motor de extracción encendido, pulse T5 para activar la velocidad “POTENCIA BOOST 1” **extracción intensiva** (controlada por tiempo).

Nota: la campana volverá a funcionar a la velocidad anterior pasados cinco minutos.

T6. FUNCIÓN DE “POTENCIA BOOST 2”

Con el motor de extracción encendido, pulse T6 para activar la velocidad “POTENCIA BOOST 2” **extracción intensiva** (controlada por tiempo).

Nota: la campana volverá a funcionar a la velocidad anterior pasados cinco minutos.

T7. MODO AUTOMÁTICO «COCCIÓN SENSE»

La campana aumentará la velocidad de extracción hasta 1 automáticamente si el sensor de la campana detecta que las condiciones ambientales lo requieren.

Si las condiciones ambientales no cambian –y la campana ya funciona a la velocidad de extracción 1– la campana se apagará pasados cinco minutos.

Nota: para asegurarse de que esta función se utiliza correctamente, primero **configure los parámetros del modo automático** según se describe en el apartado correspondiente.

Nota: cuando utilice el modo automático, si cambia alguna otra función que controla la velocidad, la función «Cocción Sense» se apagará.

T8. INDICADORES DE SATURACIÓN DE FILTROS

A intervalos regulares, la campana indica la necesidad de realizar tareas de mantenimiento de los filtros.

Nota: Los indicadores solo funcionarán cuando la campana esté encendida.

Botón **T8** encendido: Realizar mantenimiento del filtro de grasa.

Botón **T8** parpadeando: Llevar a cabo el mantenimiento del filtro de carbón.

Restablecer los indicadores de saturación del filtro:

Nota: Esto debe realizarse con la campana apagada.

Mantenga pulsado el botón **T8**.

Activar el indicador de saturación de filtro de carbón

Nota: Esto debe realizarse con el motor de extracción apagado.

Este indicador suele estar desactivado: mantenga pulsados los botones **T3**

y **T10** simultáneamente para activar la función: Los botones se iluminarán para indicar que está activada.

Para desactivar la función, mantenga pulsados de nuevo los mismos botones (**T3** y **T10**): Los botones parpadearán brevemente y luego se apagará para indicar que está desactivada.

T9. MODO DE FUNCIONAMIENTO «AIRE SENSE DIARIO» ENCENDIDO/APAGADO

La campana aumentará la velocidad de extracción hasta 1 automáticamente si el sensor de la campana detecta que las condiciones ambientales lo requieren.

Si la velocidad de extracción no cambia debido a las condiciones ambientales detectadas, la campana se apagará después de dos horas.

De todos modos, la campana se apagará después de cinco horas en uso, independientemente del modo de funcionamiento.

Nota: para asegurarse de que esta función se utiliza correctamente, primero **configure los parámetros del modo automático** según se describe en el apartado correspondiente.

T10. MODO DE FUNCIONAMIENTO «AIRE INTENSIVO SENSE» ENCENDIDO/APAGADO

La campana aumentará la velocidad de extracción hasta 5 automáticamente si el sensor de la campana detecta que las condiciones ambientales lo requieren.

Si la velocidad de extracción no cambia debido a las condiciones ambientales detectadas, la campana se apagará después de dos horas.

De todos modos, la campana se apagará después de cinco horas en uso, independientemente del modo de funcionamiento.

Nota: para asegurarse de que esta función se utiliza correctamente, primero **configure los parámetros del modo automático** según se describe en el apartado correspondiente.

CONFIGURAR LOS PARÁMETROS DEL MODO AUTOMÁTICO

Para asegurarse de que el modo automático se utiliza correctamente, deberá calibrar la campana y seleccionar el tipo de placa.

Calibrar la campana

Nota: esto debe realizarse con el aparato en modo de reposo, es decir, un minuto antes de apagar el motor.

Mantenga pulsado el botón **T4** durante cinco segundos.

Se encenderá la velocidad de extracción 1 y el botón **T4** parpadeará para indicar que ha empezado la calibración de la campana (esto durará alrededor de 15 minutos).

Nota: Para detener el proceso de calibración, mantenga pulsado el botón **T4** durante cinco segundos. La calibración se invalidará y deberá repetirla.

Nota: La calibración se llevará a cabo automáticamente cuando el producto se conecte al suministro eléctrico por primera vez. **T4** parpadeará. Espere 15 minutos para que se complete la calibración.

Selecciónar el tipo de placa

Nota: esto debe realizarse con el aparato en modo de reposo, es decir, un minuto antes de apagar el motor.

Mantenga pulsados los botones **T9** y **T10** durante cinco segundos.

Los botones **T9** y **T10** se iluminarán.

Si la placa funciona con gas, pulse el botón **T9**: el botón parpadeará para indicar que se ha seleccionado.

Si la placa funciona con electricidad, pulse el botón **T10**: el botón parpadeará para indicar que se ha seleccionado.

Una vez pulsado, el botón parpadeará durante tres segundos para indicar que se ha guardado su selección.

MANTENIMIENTO

Limpeza

Para la limpieza, utilice **EXCLUSIVAMENTE** un paño impregnado de detergente líquido neutro. **¡NO UTILICE UTENSILIOS O INSTRUMENTOS PARA LA LIMPIEZA!** No utilice productos que contengan abrasivos. **¡NO UTILICE ALCOHOL! ¡NO UTILICE DESINFECTANTES NI PRODUCTOS QUE CONTENGAN CLORO!**

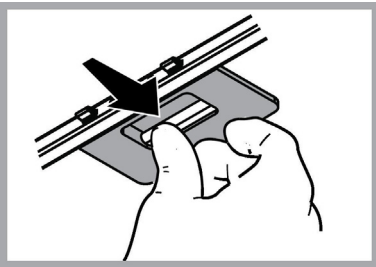
Mantenimientos de los filtros antigrasa

Retiene las partículas de grasa producidas cuando se cocina.

Debe limpiarse una vez al mes (o cuando el sistema de indicación de saturación de los filtros - si está previsto en el modelo que se posee - indica esta necesidad) con detergentes no agresivos, manualmente con un cepillo de cerdas suaves o bien en lavavajillas a bajas temperaturas y con ciclo breve.

Con el lavado en el lavavajilla el filtro antigrasa metálico puede desteñirse pero sus características de filtrado no cambian absolutamente.

Para desmontar el filtro antigrasa, tirar de la manija de desenganche de muelle.



Mantenimiento del filtro al carbón

Retiene los olores desagradables producidos por la cocción de alimentos.

La saturación del filtro de carbón se produce después de un uso más o menos prolongado, dependiendo del tipo de cocina

y de la frecuencia con la que se limpia el filtro grasas.

En todo caso, es necesario sustituir el cartucho como máximo cada 5 años.

NO puede ser lavado o regenerado

Para obtener un rendimiento excelente de aspiración, el filtro es más grande que los filtros estándar y está instalado encima de un soporte puesto encima de la campana.

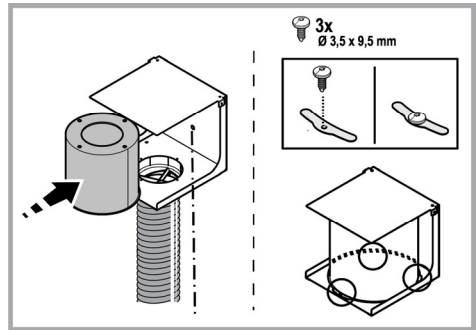
Montar o cambiar el filtro de carbón

1. Desenchufe la campana.

2. Inserte el filtro cilíndrico dentro del soporte.

3. Fije el filtro con los tornillos y las placas que se suministran con el aparato.

Repita el mismo proceso a la inversa para retirarlos.



Sustitución de la lámpara

La campana viene provista de un sistema de iluminación basado en la tecnología LED.

Los LEDS garantizan una óptima iluminación, una duración hasta 10 veces mayor de las lámparas tradicionales y permiten ahorrar el 90% de energía eléctrica. .


Para reemplazar las lámparas, contactar el centro de servicio autorizado para los repuestos.

ELIMINACIÓN

Este aparato lleva el marcado CE en conformidad con la Directiva 2012/19/EC del Parlamento Europeo y del Consejo sobre residuos de aparatos eléctricos y electrónicos (RAEE).

La correcta eliminación de este producto evita consecuencias negativas para el medioambiente y la salud.



El símbolo  en el producto o en los documentos que se incluyen con el producto, indica que no se puede tratar como residuo doméstico. Es necesario entregarlo en un punto de recogida para reciclar aparatos eléctricos y electrónicos.

Deséchelo con arreglo a las normas medioambientales para eliminación de residuos.

Para obtener información más detallada sobre el tratamiento, recuperación y reciclaje de este producto, póngase en contacto con su Municipalidad, con el servicio de eliminación de residuos urbanos o la tienda donde adquirió el producto.

Aparato diseñado, probado y fabricado de acuerdo con:

- Seguridad: EN/IEC 60335-1; EN/IEC 60335-2-31, EN/IEC 62233.
- Prestación: EN/IEC 61591; ISO 5167-1; ISO 5167-3; ISO 5168; EN/IEC 60704-1; EN/IEC 60704-2-13; EN/IEC 60704-3; ISO 3741; EN 50564; IEC 62301.
- EMC: EN 55014-1; CISPR 14-1; EN 55014-2; CISPR 14-2; EN/IEC 61000-3-2; EN/IEC 61000-3-3. Sugerencias para un uso correcto con el fin de reducir el impacto ambiental: Encienda la campana a la velocidad mínima cuando empiece a cocinar y mantenga en marcha durante unos minutos después de haber acabado de cocinar. Aumente la velocidad solo si se produjera una gran cantidad de humo y vapor y use la velocidad o velocidades turbo solo en situaciones extremas. Cambie el filtro o filtros de carbón cuando sea necesario para mantener un buen rendimiento en la reducción de los olores. Limpie el filtro o filtros de grasa cuando sea necesario para mantener un buen rendimiento del filtro de grasa. Utilice el diámetro máximo del sistema de conductos indicado en este manual, para optimizar el rendimiento y minimizar el ruido.

ANOMALÍAS DE FUNCIONAMIENTO

Si alguna pieza parece no funcionar, realice los siguientes controles antes de llamar al Servicio de Asistencia:

- Si la campana no funciona:
Compruebe que:
 - no haya interrupciones de corriente.
 - se haya seleccionado una velocidad.
- Si la campana presenta un rendimiento escaso:
Compruebe que:
 - La velocidad del motor seleccionada es suficiente para la cantidad de humo y vapores emitida.
 - La cocina está suficientemente ventilada para permitir una toma de aire.
 - el filtro de carbón no está gastado (campana en versión filtrante).
- Si la campana se ha apagado durante el funcionamiento normal:
Compruebe que:
 - no haya interrupciones de corriente.
 - el dispositivo de interrupción omnipolar no se ha disparado.

En caso de eventuales anomalías en el funcionamiento, antes de dirigirse al servicio de asistencia, desconectar el aparato de la alimentación eléctrica, extrayendo el enchufe al menos durante 5 segundos, y después conectarlo nuevamente. Si la anomalía de funcionamiento no desaparece, dirigirse al servicio de asistencia.

DATOS TÉCNICOS

Alto (cm)	Ancho (cm)	Fondo (cm)	Ø del tubo de salida (cm)
110-129,5	89,8	32	15

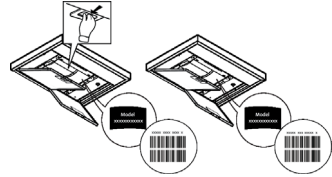


Componentes no suministrados con el producto



Puede descargarse las Instrucciones de seguridad, el Manual del usuario, la Ficha del producto y los Datos de energía:

- Visitando nuestra página web docs.whirlpool.eu
- Usando el código QR
- También puede, **ponerse en contacto con nuestro Servicio postventa** (Consulte el número de teléfono en el folleto de la garantía). Cuando se ponga en contacto con nuestro Servicio Postventa, deberá indicar los códigos que figuran en la placa de características de su producto.



SEGURANÇA GERAL

- Antes de fazer qualquer operação de limpeza ou de manutenção, deve-se desligar o exaustor da rede elétrica retirando a tomada ou desligando a alimentação da rede elétrica.
 - Usar sempre luvas de trabalho para todas as operações de instalação e manutenção.
 - Este aparelho pode ser usado por crianças a partir de 8 anos de idade e por pessoas com reduzidas capacidades físicas, sensoriais e mentais, ou falta de experiência e conhecimento, desde que sejam supervisionadas ou se tiverem recebido as necessárias instruções relativas ao uso em segurança do aparelho e que tenham conhecimento dos riscos envolvidos.
 - As crianças não devem ser autorizadas a manipular os comandos ou a brincar com o aparelho.
 - A limpeza e a manutenção não devem ser feitas por crianças sem supervisão.
 - O local onde o aparelho será instalado, deve ser suficientemente ventilado, quando o exaustor for utilizado em conjunto com outros dispositivos de combustão de gás ou outros combustíveis.
 - O exaustor deve ser limpo regularmente, interna e externamente (PELO MENOS UMA VEZ POR MÊS), respeitando expressamente as indicações no manual, nas instruções de manutenção.
 - A inobservância das normas de limpeza do aparelho e da substituição e limpeza dos filtros comporta riscos de incêndio.
 - É severamente proibido colocar alimentos diretamente na chama, sob o exaustor.
 - Para a substituição da lâmpada, utilizar apenas o tipo de lâmpada indicado na secção de Manutenção/Substituição de lâmpadas deste manual.
- O uso de chama livre causa danos aos filtros e pode originar incêndios, portanto, deve ser evitado em quaisquer circunstâncias.
- Os alimentos fritos devem ser feitos sob controle, para evitar que o óleo sobreaqueça e se incendeie.
- CUIDADO:** Peças acessíveis do exaustor podem queimar quando utilizado com a placa de fogão.
- Não ligar o aparelho à rede elétrica até que a instalação esteja totalmente concluída.
 - Relativamente às medidas técnicas e de segurança a serem adotadas para a descarga de fumos, é importante respeitar rigorosamente os regulamentos fornecidos pelas autoridades locais.
 - O sistema de condutas deste aparelho não pode ser conectado a outro sistema de ventilação já existente que esteja a ser usado para qualquer outra finalidade, como descarga de fumos de aparelhos a gás ou outros combustíveis.
 - Não utilizar ou deixar o exaustor sem lâmpadas corretamente montadas, devido ao possível risco de choques elétricos.
 - Nunca utilizar o exaustor sem as grades montadas corretamente.
 - O exaustor NUNCA deve ser utilizado como uma superfície de apoio, a menos que seja especificamente indicado.
 - Usar somente os parafusos de fixação fornecidos com o aparelho, para a instalação, ou, se não for fornecido, comprar o tipo de parafuso correto.
 - Usar o comprimento correto para os parafusos que são identificados no Guia de Instalação.
 - Em caso de dúvida, consultar um centro de assistência autorizado ou técnico qualificado.

⚠️ ATENÇÃO!

- A falta de instalação de parafusos ou dispositivos de fixação em conformidade com estas instruções, pode resultar em riscos elétricos.
- Não utilizar com um programador, temporizador, telecomando separado ou qualquer outro dispositivo que se ativa automaticamente.

Manter as crianças menores de 3 anos afastadas do aparelho. Quando não vigiadas por um adulto, as crianças menores de 8 anos devem ser mantidas afastadas do aparelho.

⚠️ **ATENÇÃO:** o aparelho não deve ser operado mediante um dispositivo externo ou através dum sistema de comando à distância separado.

⚠️ Este aparelho não se destina ao uso profissional. Não utilizar o aparelho ao ar livre.

⚠️ Para evitar o risco de ferimentos pessoais, o aparelho deve ser movido e instalado por duas ou mais pessoas.

⚠️ A instalação - incluindo também quaisquer conexões para fornecimento de água (caso previsto) e as ligações elétricas - e as operações de reparação devem ser realizadas por pessoal qualificado.

Uma vez concluída a instalação, o material de embalagem (peças de plástico, poliestireno, etc.) deve ser mantido fora do alcance das crianças para evitar o risco de asfixia. .

Não utilizar o aparelho quando estiver molhado ou descalço.

Nunca utilizar um aparelho de limpeza a vapor para limpar o aparelho - risco de choque elétrico.

O material de embalagem é 100% reciclável e está marcado com o símbolo da reciclagem



O exaustor pode ser esteticamente diferente do modelo ilustrado neste manual, no entanto as instruções de uso, manutenção e instalação são as mesmas.

Siga especificamente as instruções indicadas neste manual. Declina-se qualquer responsabilidade por eventuais inconvenientes, danos ou incêndios provocados ao aparelho, derivantes da inobservância das instruções indicadas neste manual. O exaustor foi concebido para a aspiração de fumos e vapores de cozedura e é destinado exclusivamente para uso doméstico.

- É importante conservar este manual para eventuais consultas futuras.

Em caso de venda ou mudança, certifique-se que o manual acompanha o produto.

- Leia cuidadosamente as instruções: apresentam importantes informações sobre a instalação, uso e segurança.
- Não efectue variações elétricas ou mecânicas no produto ou nos tubos de fuga.
- Antes de prosseguir com a instalação do aparelho, verifique se todos os componentes não estão danificados. Caso contrário, contacte o seu fornecedor e não prossiga com a instalação.

A distância mínima entre a superfície de suporte dos recipientes sobre o fogão e a parte mais baixa do exaustor não deve ser inferior a 50cm no caso de fogões elétricos e 65 cm no caso de fogões a gás ou combinados.

Se as instruções de instalação do fogão a gás especificarem uma distância maior, deve-se levar em conta esta indicação.

CONEXÃO ELÉTRICA

A voltagem da rede elétrica deve corresponder com a voltagem indicada na etiqueta das características, situada no interior do exaustor. Se dotado de ficha, conectar o exaustor a uma tomada, em conformidade com as normas vigentes, posta em zona acessível, mesmo depois da instalação. Se não tiver ficha (conexão direta à rede) ou a tomada não se encontrar numa zona acessível, mesmo depois da instalação, aplicar um interruptor bipolar, em conformidade com a norma que assegure a desconexão completa da rede nas condições da categoria de sobretensão III, de acordo com as regras de instalação.

⚠️ ATENÇÃO!

Antes de conectar novamente o circuito do exaustor com a alimentação elétrica, verificar o seu funcionamento, e verificar se o cabo de rede está montado corretamente.

Se o cabo não estiver equipado com uma ficha, ligue os cabos de acordo com a tabela seguinte:

Tensão da rede elétrica e frequência

Consultar o valor indicado na etiqueta de características no interior do exaustor.

Ligação de cabo

 : amarelo/verde

N : azul

L : castanho

Substituição do cabo de alimentação

O exaustor está equipado com um cabo de alimentação especial; no caso do cabo ficar danificado, efetuar um pedido ao serviço de assistência técnica.

SAÍDA DO AR

FILTRANTE OU ASPIRANTE ?

O seu exaustor foi projetado para ser utilizado somente em versão filtrante

O ar aspirado será desengordurado e desodorizado antes de ser recanalizado de volta para o ambiente.

O sistema de filtragem prevê um filtro de carvões ativos High Performance

Nota: pelas suas características técnicas, não é possível usar o exaustor em versão aspirante

Importante! Para executar a instalação é necessário a utilização de um tipo de tubo flexível

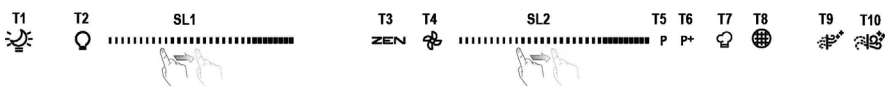
Versão filtrante

O ar aspirado será desengordurado e desodorizado antes de ser recanalizado de volta para o ambiente.

Para usar o exaustor nesta versão é necessário instalar um sistema de filtragem adicional à base de carvão ativado.

COMANDOS

O exaustor vem equipado com um painel de comandos com um controle de velocidade de aspiração e um controle para acender a luz de iluminação do plano de cozedura.



T1. LIGAR/DESLIGAR Luz noturna

T2. LIGAR/DESLIGAR luzes da placa - Seleccionar temperatura de cor

T3. Operação "Modo ZEN"

T4. LIGAR/DESLIGAR motor

T5. Função "AUMENTO DE POTÊNCIA 1"

T6. Função "AUMENTO DE POTÊNCIA 2"

T7. Modo automático "Cook Sense"

T8. Indicador de saturação do filtro

T9. "Daily Air Sense" modo de funcionamento LIGAR/DESLIGAR

T10. LIGAR/DESLIGAR o modo de funcionamento "Intensive Air Sense"

T1. LIGAR/DESLIGAR LUZ NOTURNA

Prima para ligar ou desligar a iluminação suave de fundo.

T2. LIGAR/DESLIGAR LUZES DA PLACA - SELECIONAR TEMPERATURA DE COR

Prima para ligar ou desligar as luzes da placa.

• Com as luzes ligadas, faça deslizar o seu dedo para a direita ou para a esquerda sobre a faixa de LED **SL1** para aumentar ou diminuir a intensidade da luz.

Para definir a temperatura da cor da iluminação

• Prima (e mantenha premido) novamente,

• fazendo deslizar o seu dedo para a direita ou para a esquerda na faixa LED **SL1** para definir a intensidade da luz para mais fria ou mais quente.

Caso não altere a temperatura de cor da iluminação em 5 segundos, o LED **SL1** irá piscar com a cor selecionada e ouvirá um aviso sonoro indicando que o sistema guardou esta configuração.

Nota: a luz acende-se à intensidade de cor definida antes de desligar o aparelho.

T3. OPERAÇÃO "MODO ZEN"

Prima para ativar ou desativar o modo de **extração ZEN**.

Esta função permite ativar uma velocidade de extração que oferece o equilíbrio ideal entre silêncio e eficiência de extração.

T4. LIGAR/DESLIGAR MOTOR

Prima para ligar ou desligar o **motor de extração**.

• Com o motor ligado, faça deslizar o seu dedo para a direita ou para a esquerda sobre a faixa de LED **SL2** para aumentar ou diminuir a velocidade de extração (potência).

T5. FUNÇÃO “AUMENTO DE POTÊNCIA 1”

Com o motor de extração ligado, prima T5 para ativar a **extração intensiva “AUMENTO DE POTÊNCIA 1”** (temporizada).

Nota: após cinco minutos, o exaustor voltará à velocidade selecionada previamente.

T6. FUNÇÃO “AUMENTO DE POTÊNCIA 2”

Com o motor de extração ligado, prima T6 para ativar a **“extração intensiva AUMENTO DE POTÊNCIA 2”** (temporizada).

Nota: após cinco minutos, o exaustor voltará à velocidade selecionada previamente.

T7. FUNÇÃO AUTOMÁTICA “COOK SENSE”

O exaustor irá aumentar a velocidade de extração para 1 automaticamente caso o seu sensor detete que as condições ambiente assim o exigem.

Se as condições ambiente não se alterarem - e o exaustor já esteja a utiliza a velocidade de extração 1 – o exaustor irá desligar-se após cinco minutos.

Nota: Para se certificar de que utiliza esta função corretamente, **configure primeiro os parâmetros para o modo automático**, conforme descrito na secção relevante.

Nota: caso altere quaisquer outras funções que controlem a velocidade quando estiver a utilizar o modo automático, a função “Cook Sense” irá desativar-se.

T8. INDICADORES DE SATURAÇÃO DO FILTRO

A intervalos regulares, o exaustor sinaliza a necessidade de se efetuar a manutenção dos filtros.

Nota: Os indicadores apenas funcionam quando o exaustor está ligado.

Botão **T8** aceso: Realize a manutenção do filtro de gordura.

Botão **T8** intermitente: Efetuar a manutenção do filtro de carvão.

Reposição dos indicadores de saturação do filtro:

Nota: esta operação deve ser realizada com o exaustor ligado.

Prima e mantenha premido o botão **T8**.

Ativação do indicador de saturação do filtro de carvão

Nota: esta operação deve ser realizada com o motor de extração desligado.

Normalmente, este indicador está desativado – prima e mantenha premidos os botões **T3** e **T10** em simultâneo para ativar esta função:

Os botões irão acender-se indicando que a ativação está em curso.

Para desativar esta função, prima e mantenha premidos os mesmos botões (**T3** e **T10**) novamente: Os botões irão piscar brevemente e, em seguida, apagar-se, indicando a desativação.

T9. “DAILY AIR SENSE” MODO DE FUNCIONAMENTO LIGAR/ DESLIGAR

O exaustor irá aumentar a velocidade de extração para 1 automaticamente caso o seu sensor detete que as condições ambiente assim o exigem.

Se a velocidade de extração não for alterada devido às condições ambiente detetadas, o exaustor desligar-se-á após duas horas.

Independentemente do modo operacional selecionado, o exaustor desliga-se após cinco horas em funcionamento.

Nota: Para se certificar de que utiliza esta função corretamente, **configure primeiro os parâmetros para o modo automático**, conforme descrito na secção relevante.

T10. LIGAR/DESLIGAR O MODO DE FUNCIONAMENTO “INTENSIVE AIR SENSE”

O exaustor irá aumentar a velocidade de extração para 5 automaticamente caso o seu sensor detete que as condições ambiente assim o exigem.

Se a velocidade de extração não for alterada devido às condições ambiente detetadas, o exaustor desligar-se-á após duas horas.

Independentemente do modo operacional selecionado, o exaustor desliga-se após cinco horas em funcionamento.

Nota: Para se certificar de que utiliza esta função corretamente, **configure primeiro os parâmetros para o modo automático**, conforme descrito na secção relevante.

CONFIGURAR OS PARÂMETROS DO MODO AUTOMÁTICO

Para se certificar que utiliza este modo corretamente, é necessário calibrar o exaustor e selecionar o tipo de placa.

Calibragem do exaustor

Nota: esta operação deve ser realizada com o aparelho no modo de repouso (standby), isto é, um minuto após a desativação do motor.

Prima e mantenha premido o botão **T4** durante cinco segundos.

A velocidade de extração 1 será ativada e o botão **T4** irá piscar, indicando que a calibragem do exaustor foi iniciada (o processo de

calibragem tem uma duração de aprox. 15 minutos).

Nota: Para interromper o processo de calibragem, prima e mantenha premido o botão **T4** durante cinco segundos. A calibragem será, então, interrompida, tendo de ser repetida posteriormente.

Nota: A calibragem será realizada automaticamente quando o aparelho for ligado à fonte de alimentação pela primeira vez. O botão **T4** irá piscar.

Aguarde 15 minutos até que a calibragem seja concluída.

Selecionar o tipo de placa

Nota: esta operação deve ser realizada com o aparelho no modo de repouso (standby), isto é, um minuto após a desativação do motor.

Prima e mantenha premidos os botões **T9** e **T10** durante cinco segundos.

Os botões **T9** e **T10** acender-se-ão.

Caso a sua placa seja alimentada a gás, prima o botão **T9** – o botão irá piscar indicando a sua seleção.

Caso a sua placa seja elétrica, prima o botão **T10** – o botão irá piscar indicando a sua seleção.

Uma vez premido, o botão pisca durante três segundos para indicar que a sua seleção foi guardada.

MANUTENÇÃO

Limpeza

Para a limpeza, utilizar um pano humedecido com detergentes líquidos neutros. Evitar o uso de produtos contendo abrasivos. **NÃO UTILIZE ÁLCOOL!**

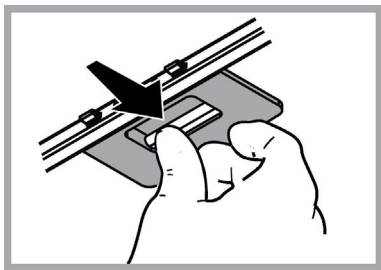
Manutenção dos filtros anti-gordura

Capta as partículas de gordura provenientes da cozedura.

O Filtro de gordura deve ser limpo uma vez por mês (ou quando o sistema de indicação da saturação dos filtros - se previsto no modelo adquirido – indicar esta necessidade), com detergentes não agressivos. O filtro pode ser lavado manualmente ou em máquina de lavar louça a baixas temperaturas e com ciclo breve.

O filtro metálico para a gordura pode perder cor com as lavagens na máquina da louça, mas suas características de filtração não se alteram.

Para desmontar o filtro antigordura puxe o puxador de libertação com mola.



Manutenção do filtro a carvão

Retém os odores desagradáveis produzidos durante a preparação de alimentos.

A saturação do filtro carbono ocorre depois de um uso mais ou menos prolongado, dependendo do tipo de cozinha e da regularidade da limpeza do filtro de gordura.

De qualquer forma é necessário substituir o cartucho pelo menos a cada 5 anos.

NÃO pode ser lavado ou regenerado

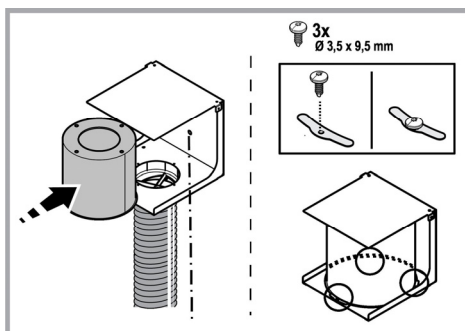
Para obter excelentes performances de aspiração, o filtro é maior dos filtros padrões e é instalado sobre um suporte

acima do exaustor.

Instalar ou substituir o filtro de carvão

1. Desligue o exaustor da rede elétrica.
2. Coloque o filtro cilíndrico dentro do suporte.
3. Fixe o filtro com parafusos e placas fornecidas com o aparelho.

Proceda pela ordem inversa para os remover.



Substituição das lâmpadas

A coifa é dotada de um sistema de iluminação baseada na tecnologia LED.

Os LED garantem uma iluminação melhor e uma duração de até 10 vezes maior que as lâmpadas tradicionais e economizam 90% de energia elétrica.


Para a substituição das lâmpadas, contactar o centro de serviço autorizado de peças de reposição.

ELIMINAÇÃO

Este aparelho está classificado de acordo com a Diretiva Europeia 2012/19/EC sobre Resíduos de equipamento elétrico e eletrónico (REEE).

Ao garantir a eliminação adequada deste produto, estará a ajudar a evitar potenciais consequências negativas para o ambiente e para a saúde pública, que poderiam derivar de um manuseamento de dispersão inadequada deste produto.



O símbolo  no produto ou nos documentos que acompanham o produto, indica que este aparelho não pode receber um tratamento semelhante ao de uma dispersão doméstica.

Pelo contrário, deverá ser depositado no respectivo centro de recolha para a reciclagem de equipamento elétrico e eletrónico.

A eliminação deverá ser efetuada em conformidade com as normas ambientais locais para a eliminação de desperdícios.

Para obter informações mais detalhadas sobre o tratamento, a recuperação e a reciclagem deste produto, contate o Departamento na sua localidade, o seu serviço de eliminação de desperdícios domésticos ou a loja onde adquiriu o produto.

Aparelho projetado, testado e fabricado de acordo com:

- Segurança: EN/IEC 60335-1; EN/IEC 60335-2-31, EN/IEC 62233.
- Desempenho: EN/IEC 61591; ISO 5167-1; ISO 5167-3; ISO 5168; EN/IEC 60704-1; EN/IEC 60704-2-13; EN/IEC 60704-3; ISO 3741; EN 50564; IEC 62301.
- EMC: EN 55014-1; CISPR 14-1; EN 55014-2; CISPR 14-2; EN/IEC 61000-3-2; EN/IEC 61000-3-3. Sugestões para uma utilização correta, de modo a reduzir o impacto ambiental: LIGUE o exaustor na velocidade mínima quando começar a cozinhar e mantenha-o em função por mais alguns minutos após ter terminado. Aumente a velocidade somente em caso de muito fumo ou vapor e use as velocidades altas somente em situações extremas. Substitua o(s) filtro(s) a carvão quando necessário, para manter uma boa eficiência na redução dos odores. Limpe o(s) filtro(s) de gordura quando necessário para manter uma boa eficiência. Use o diâmetro máximo do sistema de condutas indicado neste manual para otimizar a eficiência e minimizar o ruído.

ANOMALIAS DE FUNCIONAMENTO

Se algo parece não funcionar, antes de contactar o Serviço de Assistência efectuar seguintes controlos simples:

- Se o exaustor não funcionar:
Verificar que:
 - não há interrupção de corrente.
 - foi seleccionada uma velocidade.
- Se o exaustor tiver uma performance fraca:
Verificar que:
 - A velocidade do motor seleccionada é suficiente para a quantidade de fumo e vapores libertada.
 - O fogão é suficientemente arejado para permitir uma tomada de ar.
 - O filtro de carvão não está gasto (exaustor em versão filtrante).
- Se o exaustor desligar durante o funcionamento normal:
Verificar que:
 - não há interrupção de corrente.
 - o dispositivo de corte omnipolar não disparou.

Se o exaustor não funcionar correctamente, retirar a ficha para desligá-lo por um breve período da rede eléctrica principal (pelo menos 5 seg.). Em seguida colocar novamente a ficha e experimentar mais uma vez antes de contactar o Serviço de assistência técnica. Se o problema de funcionamento persistir, contacte o serviço de assistência.

DADOS TÉCNICOS

Altura (cm)	Largura (cm)	Profundidade (cm)	Ø do tubo de escape (cm)
110-129,5	89,8	32	15

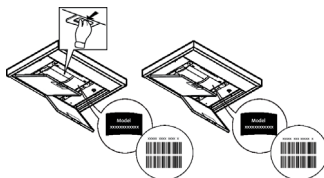


Componentes não fornecidas com o produto.



Pode transferir as Instruções de Segurança, o Manual do Utilizador, a Ficha do Produto e os Dados Energéticos:

- Visitando o nosso website docs.whirlpool.eu
- Utilizando o código QR
- Em alternativa, **contacte o nosso Serviço Pós-venda** (através do número de telefone contido no livrete da garantia). Ao contactar o nosso Serviço Pós-Venda, indique os códigos fornecidos na placa de identificação do seu produto.



ОБЩА БЕЗОПАСНОСТ

- Преди каквато и да било операция, свързана с почистването или поддръжката, изключете аспиратора от ел. мрежата, като извадите щепсела от контакта или изключите главния прекъсвач в жилището.
 - При извършване на всички операции свързани с инсталирането и поддръжката, използвайте работни ръкавици.
 - Уредът може да бъде използван от деца на възраст не по-ниска от 8 години и от лица с ограничени физически, сетивни или умствени възможности или хора без опит или необходимите познания, но при условие че са под наблюдение или след като са получили необходимите инструкции за безопасно използване на уреда и свързаните с него опасности.
 - Не позволявайте на децата да си играят с уреда!
 - Почистването и поддръжката не трябва да се извършва от деца без наблюдението на възрастен.
 - Помещението трябва да разполага с достатъчна вентилация когато аспираторът се използва едновременно с други уреди на газ или друг вид гориво.
 - Аспираторът трябва да се почиства често както отвътре така и отвън (ПОНЕ ВЕДНЪЖ В МЕСЕЦА).
 - Придържайте се към инструкциите посочени в наръчника за поддръжка!
 - Неспазването на инструкциите за почистване на аспиратора и за подмяна и почистване на филтрите води до риск от пожар.
 - Строго забранено е приготвянето на ястия фламбе под аспиратора.
 - За да подмените лампите, използвайте само тези, които са посочени в раздел „Поддръжка/подмяна на лампите“, както е посочено в настоящия наръчник за експлоатация.
- Използването на открит пламък е вредно за филтрите и може да предизвика пожар, затова трябва на всяка цена да се избягва.
- Приготвянето на пържени храни трябва да се извършва под наблюдение, тъй като сгорешеното олио може да се възпламени.
- ВНИМАНИЕ:** Когато готварският плот работи, достъпните части на аспиратора могат да се нагорещат.
- Не свързвайте уреда към ел. мрежата докато не сте приключили окончателно с монтажа.
 - Що се отнася до техническите размери и мерките за безопасност, които трябва да предприемете за отвеждането на димните газове навън, Ви препоръчваме да се придържате стриктно към правилата, предвидени в регламентите на компетентните местни власти.
 - Аспирираният въздух не трябва да се насочва към тръбопроводите, които се използват за отвеждане на димните газове, отделящи се при използването на уреди работещи с газ или друг вид гориво.
 - Не използвайте и не оставяйте аспиратора без правилно монтирани лампички поради евентуален риск от токов удар.
 - Никога не използвайте аспиратора без правилно монтирана решетка!
 - Аспираторът не трябва НИКОГА да се използва като опорен плот освен ако това не е специално указано.
 - При монтажа използвайте само фиксиращите болтове, които са доставени заедно с уреда или ако няма такива, закупете подходящи болтове.

- Използвайте болтове с подходяща дължина, както е посочено в наръчника за инсталиране.
- При наличие на съмнения, моля свържете се с оторизирания сервиз за техническо обслужване или квалифициран персонал.

▲ ВНИМАНИЕ!

- Неинсталирането на болтовете и механизмите за фиксиране в съответствие с настоящите инструкции може да доведе до рискове от електрическо естество.
- Не използвайте с програматор, таймер, отделно дистанционно управление или каквото и да е друго устройство, което се активира автоматично.

Дръжте децата под 3 годишна възраст далеч от уреда. Без непрекъснато наблюдение на възрастен, съхранявайте уреда далеч от деца на възраст под 8 години.

▲ ВНИМАНИЕ: уредът не е предназначен да функционира чрез външно устройство или отделна система за дистанционно управление.

▲ Този уред не е предназначен за професионална употреба. Не използвайте уреда на открито.

▲ За да избегнете риск от нараняване на хора, този уред трябва да бъде преместван и инсталиран от двама или повече човека.

▲ Инсталирането, включващо евентуални съединения за водно захранване (ако е предвидено), електрически свързвания, и операциите, свързани с ремонт трябва да се извършват от квалифициран персонал.

Като приключи инсталирането, съхранявайте опаковъчния материал (пластмасови части, полистирол и т.н.) далеч от деца, за да се избегне риск от задушаване.

Не използвайте уреда, когато сте мокри или с боси крака.

Никога не използвайте парочистачки за почистване – риск от токов удар.



Опаковъчният материал се рециклира на 100% и е маркиран със символа за рециклиране

Аспираторът може да се различава външно от чертежите поместени в настоящото упътване, но независимо от това инструкциите за употреба, поддръжката и инсталирането са абсолютно същите.

Придържайте се стриктно към тук посочените инструкции. Фирмата не носи отговорност за евентуални неизправности, повреди или възпламеняване на уреда, възникнали в резултат на следване на инструкциите в настоящото упътване. Аспираторът е проектиран за аспирание на дима и парата, които се отделят при готвене, и е предназначен само за битова употреба.

- Съветваме Ви да съхранявате настоящото упътване за да може да го използвате във всеки един момент. При продажба, отдаване под наем или преместване, упътването за употреба трябва да остане заедно с продукта.
- Прочетете внимателно инструкциите! Те съдържат важна информация относно инсталирането, употребата и мерките за безопасност.
- Забранено е нанасянето на електрически или механически изменения върху продукта и върху въздуховодните тръби!
- Преди да пристъпите към инсталирането на уреда, уверете се, че няма увредени части. Ако има такива, свържете се с търговския представител и не пристъпвайте към инсталиране.

Минималното разстояние между повърхността, на която се поставят съдовете за готвене и най-ниската част на кухненския аспиратор, трябва да бъде не по-малко от 50cm в случай на електрически печки и не по-малко от 65cm, в случай на газови или комбинирани печки.

Ако в инструкциите на газовия уред за готвене е посочено по-голямо разстояние, то трябва да се има предвид.

ЕЛ. СВЪРЗВАНЕ

Напрежението в ел.мрежата трябва да отговаря на напрежението, което е посочено върху етикета с данните за аспиратора, поставен от вътрешната му страна. Ако е снабден с щепсел свържете аспиратора към контакт, съответстващ на действащите норми и намиращ се на лесно достъпно място дори и след приключване на монтажа. Ако не е снабден с щепсел (директно свързване към мрежата), или щепселът не е на достъпно място след приключване на монтажа, използвайте двуполусен прекъсвач според нормите, така че да се осигури пълно изключване на мрежата при свръхнапрежение III, в съответствие с правилата за монтиране.

▲ ВНИМАНИЕ!

Преди да свържете отново аспиратора към мрежата и да проверите дали функционира правилно, проверете дали кабелът е монтиран както трябва.

Ако кабелът не е оборудван с щепсел, свържете проводниците съгласно следната таблица:

Напрежение и честота на мрежата

Направете справка със стойността, посочена на етикета с характеристики вътре в аспиратора.

Свързване на кабелите



: жълт/зелен

N : син

L : кафяв

Подмяна на захранващия кабел

Аспираторът е снабден със специален кабел за захранване; в случай, че кабелът бъде увреден обърнете се към гаранционния сервиз за да получите нов.

ОТВЕЖДАНЕ НА ВЪЗДУХА

ФИЛТРИРАЩА ИЛИ АСПИРАЩА ВЕРСИЯ?

! Вашият аспиратор е проектиран, за да се използва единствено във филтрираща версия

Системата за филтриране предвижда филтър с активен въглен High Performance

Забележка: поради своите технически характеристики, не е възможно аспираторът да се използва в аспираща версия

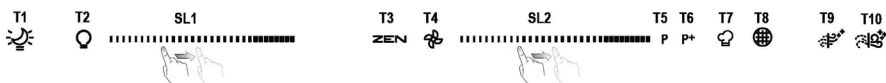
Важно! За да се извърши инсталирането е необходимо използването на гъвкава тръба

Филтрираща версия

Аспирираният въздух се набден и освежава преди да влезе отново в обръщение в помещението. За да използвате аспиратора в този вариант на работа трябва да инсталирате допълнителна филтрираща система на базата на филтри с активен въглен.

КОМАНДИ

Аспираторът е снабден с командно табло с възможност за регулиране скоростта на аспириране и превключвател на осветлението на готварския плот.



T1. ВКЛ./ИЗКЛ. на „Нощно осветление“

T2. ВКЛ./ИЗКЛ. на светлините на плочата за готвене - изберете температурата на цвета

T3. Работен режим „ZEN“

T4. ВКЛ./ИЗКЛ. на мотора

T5. Функция „Усилване на мощност 1“

T6. Функция „Усилване на мощност 2“

T7. Автоматичен режим „Cook Sense“

T8. Индикатор за насищане на филтъра

T9. ВКЛ./ИЗКЛ. на работен режим за всеки ден „Daily Air Sense“

T10. ВКЛ./ИЗКЛ. на интензивен работен режим „Intensive Air Sense“

T1. ВКЛ./ИЗКЛ. НА „НОЩНО ОСВЕТЛЕНИЕ“

Натиснете за включване/изключване на мекото фоново осветление.

T2. ВКЛ./ИЗКЛ. НА СВЕТИНИТЕ НА ПЛОЧАТА ЗА ГОТВЕНЕ - ИЗБЕРЕТЕ ТЕМПЕРАТУРАТА НА ЦВЕТА

Натиснете за включване/изключване на светлините на плочата за готвене.

• При включени светлини плъзнете пръста си надясно или наляво по **SL1** светодиодната лента, за да увеличите или намалите интензитета на светлината.

За настройване на температурата на цвета на осветлението

• Натиснете (и задръжте) отново,

• като плъзгате пръста си надясно или наляво по **SL1** светодиодната лента, за да зададете по-студен или по-топъл интензитет на осветлението.

Ако не промените цвета в рамките на пет секунди, **SL1** ще премигва с избраната настройка на цвета и звуков сигнал ще обозначи, че системата е запазила тази конфигурация.

Моля, имайте предвид: Осветлението ще светне с последно настроения интензитет преди изключването на уреда.

T3. РАБОТЕН РЕЖИМ „ZEN“

Натиснете за активиране/деактивиране на режима на **екстракция „ZEN“**.

Тази функция включва скорост на екстракция с перфектен баланс между безшумна работа и ефективност на екстракцията.

T4. ВКЛ./ИЗКЛ. НА МОТОРА

Натиснете за включване/изключване на **мотора за екстракция**.

• С включен мотор, плъзнете пръста си надясно или наляво по **SL2** светодиодната лента, за да увеличите или намалите скоростта на екстракция.

T5. ФУНКЦИЯ „УСИЛВАНЕ НА МОЩНОСТ 1“

С включен мотор натиснете T5, за да активирате скорост на **интензивна екстракция „УСИЛВАНЕ НА МОЩНОСТ 1“** (контролирана с таймер).

Моля, имайте предвид: След пет минути аспираторът ще превключи на предишно зададената скорост.

T6. ФУНКЦИЯ „УСИЛВАНЕ НА МОЩНОСТ 2“

С включен мотор натиснете T6, за да активирате скорост на **интензивна екстракция „УСИЛВАНЕ НА МОЩНОСТ 2“** (контролирана с таймер).

Моля, имайте предвид: След пет минути аспираторът ще превключи на предишно зададената скорост.

T7. АВТОМАТИЧЕН РЕЖИМ „COOK SENSE“

Аспираторът автоматично ще увеличи скоростта на екстракция на **1**, ако вграденият датчик засече, че заобикалящите условия го налагат.

Ако заобикалящите условия не се променят – и аспираторът вече използва скорост на екстракция **1** – аспираторът ще се изключи след пет минути.

Моля, имайте предвид: За да сте сигурни, че тази функция се използва правилно, **настройте параметрите за автоматичен режим**, както е описано в съответния раздел.

Моля, имайте предвид: когато използвате автоматичен режим, ако промените някоя от останалите функции, които управляват скоростта, функцията „Cook Sense“ ще се изключи.

T8. ИНДИКАТОРИ ЗА НАСИЩАНЕ НА ФИЛТЪРА

На равни интервали от време аспираторът сигнализира за нужда от обслужване на филтъра.

Моля, имайте предвид: Индикаторите ще работят само ако аспираторът е включен.

Бутон **T8** свети: Извършете обслужване на филтъра за мазини.

Бутон **T8** премигва: Необходимо е обслужване на въгленовия филтър.

Нулиране на индикаторите за насищане на филтрите:

Моля, имайте предвид: Този процес се извършва само при работещ аспиратор.

Натиснете и задръжте бутон **T8**.

Активиране на индикатора за насищане на въгленовия филтър

Моля, имайте предвид: Този процес се извършва само при изключен мотор за екстракция.

Обикновено този индикатор е деактивиран – натиснете едновременно и задръжте бутони **T3** и **T10**, за да активирате функцията: Бутоните ще светнат, за да потвърдят активирането.

За да деактивирате функцията, отново натиснете и задръжте бутоните (**T3** и **T10**): Бутоните ще премигнат еднократно и ще изгаснат, което потвърждава деактивирането.

T9. ВКЛ./ИЗКЛ. НА РАБОТЕН РЕЖИМ ЗА ВСЕКИ ДЕН „DAILY AIR SENSE“

Аспираторът автоматично ще увеличи скоростта на екстракция на **1**, ако вграденият датчик засече, че заобикалящите условия го налагат.

Ако скоростта на екстракция не се промени спрямо засечените заобикалящи условия, след два часа аспираторът ще се изключи.

Аспираторът ще се изключи във всички случаи след пет часа употреба, независимо от работния режим.

Моля, имайте предвид: За да сте сигурни, че тази функция се използва правилно, **настройте параметрите за автоматичен режим**, както е описано в съответния раздел.

T10. ВКЛ./ИЗКЛ. НА ИНТЕНЗИВЕН РАБОТЕН РЕЖИМ „INTENSIVE AIR SENSE“

Аспираторът автоматично ще увеличи скоростта на екстракция на **5**, ако вграденият датчик засече, че заобикалящите условия го налагат.

Ако скоростта на екстракция не се промени спрямо засечените заобикалящи условия, след два часа аспираторът ще се изключи.

Аспираторът ще се изключи във всички случаи след пет часа употреба, независимо от работния режим.

Моля, имайте предвид: За да сте сигурни, че тази функция се използва правилно, **настройте параметрите за автоматичен режим**, както е описано в съответния раздел.

НАСТРОЙВАНЕ НА ПАРАМЕТРИТЕ ЗА АВТОМАТИЧЕН РЕЖИМ

За да сте сигурни, че автоматичният режим се използва правилно, трябва да настроите аспиратора и да изберете типа плоча за готвене.

Настройване на аспиратора

Моля, имайте предвид: Този процес трябва да се извършва, когато уредът е в режим на готовност, т.е. една минута след изключването на мотора.

Натиснете и задръжте за пет секунди бутона **T4**.

Ще се включи скорост на екстракция **1** и бутонът **T4** ще започне да мига, за да потвърди, че настройването на аспиратора е започнало (това ще отнеме прил. 15 минути).

Моля, имайте предвид: За да спрете процеса на настройване, натиснете и задръжте за пет секунди бутона **T4**. Настройването ще бъде прекратено и следователно е необходимо да повторите процеса.

Моля, имайте предвид: Настройването ще се извърши автоматично, когато захранването на уреда бъде включено за първи път. Бутон **T4** ще премигва.

Изчакайте 15 минути, за да завърши настройването.

Избиране на тип плоча за готвене

Моля, имайте предвид: Този процес трябва да се извършва, когато уредът е в режим на готовност, т.е. една минута след изключването на мотора.

Натиснете и задръжте за пет секунди бутоните **T9** и **T10**.

Бутоните **T9** и **T10** ще светнат.

Ако използвате плоча за готвене на газ, натиснете бутон **T9** – бутонът ще премигне, за да потвърди избора.

Ако използвате електрическа плоча за готвене, натиснете бутон **T10** – бутонът ще премигне, за да потвърди избора.

След като бъде натиснат, съответният бутон ще премигне за три секунди, за да потвърди, че Вашият избор е бил запамен.

ПОДДРЪЖКА

Почистване

За почистването използвайте **ЕДИНСТВЕНО** кърпа, навлажнена с неутрални течни почистващи препарати. **НЕ ИЗПОЛЗВАЙТЕ ИНСТРУМЕНТИ ИЛИ ПРИБОРИ ЗА ПОЧИСТВАНЕ!**

Избягвайте препарати, които съдържат абразивни частици. **НЕ ИЗПОЛЗВАЙТЕ СПИРТ!**

Поддръжка на филтрите за мазнини

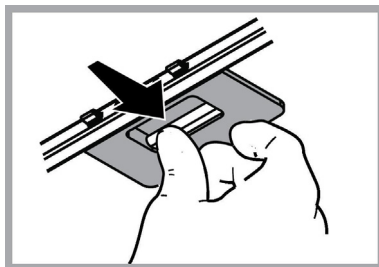
Филтърът задържа мазните частици, отделени при готвене.

Да се почиства веднъж месечно или когато индикаторът за пренасищане на филтрите го показва (разбира се в случай, че моделът, който сте закупили е снабден с такъв индикатор).

Използвайте не много силни миялни препарати и почиствайте ръчно или в съдомиялна машина, но на ниска температура и кратък режим на измиване.

При миене на металния филтър за мазнините в съдомиялната машина е възможно той да се обезцвети, но това по никакъв случай не намалява възможностите му за филтриране.

За да разглобите филтъра за мазнините, дръпнете дръжката с пружинен механизъм.



Поддръжка на филтъра с активен въглен

Задържа неприятните миризми, които се отделят при пържене.

Наситеността на въгленовия филтър се случва след относително дълга употреба, но все пак зависи от типа на готвене и колко често се почиства филтърът за мазнини. Независимо от това е необходимо да сменяте касетата на филтъра на всеки пет години. Тя НЕ МОЖЕ да се измива или рециклира.

С цел оптимална ефективност на филтрирането този филтър е по-голям от стандартния филтър и се монтира на конзола над аспиратора.

Поставяне или замяна на въгленовия филтър

1. Изключете аспиратора от електрическата мрежа.
2. Вкарайте цилиндричния филтър в конзолата.
3. Закрепете филтъра с винтовете и планките, доставени с уреда.

Изпълнете стъпките в обратен ред за сваляне.

Подмяна на лампите


РЕЦИКЛИРАНЕ

Този уред отговаря на изискванията на :

- Европейската директива 2012/19/EC
- Waste Electrical and Electronic Equipment (WEEE).

Уверявайки се, че този уред ще бъде рециклиран по подобаващия за това начин, Вие допринасяте за опазването на околната среда и вашето здраве.



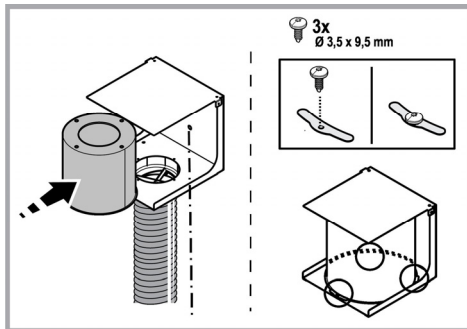
Символът  върху уреда или в придружаващата го документация посочва, че този продукт не трябва да бъде считан за домашен отпадък, а трябва да бъде предаден в специално предназначени за това пунктове за рециклиране на електрическа и електронна техника. Придържайте се към местните нормативи за преработка на отпадъци. За по-подробна информация във връзка с предаването, събирането и рециклирането на този продукт ви съветваме да се обърнете към компетентните местни служби, службите за събиране на домашни отпадъци или магазинът, в който сте закупили този ел. уред.

Уредът е проектиран, тестван и произведен в съответствие с:

- Безопасност: EN/IEC 60335-1; EN/IEC 60335-2-31, EN/IEC 62233.
- Работни характеристики: EN/IEC 61591; ISO 5167-1; ISO 5167-3; ISO 5168; EN/IEC 60704-1; EN/IEC 60704-2-13; EN/IEC 60704-3; ISO 3741; EN 50564; IEC 62301.
- EMC - Електромагнитна съвместимост: EN 55014-1; CISPR 14-1; EN 55014-2; CISPR 14-2; EN/IEC 61000-3-2; EN/IEC 61000-3-3.

Предложения за правилна употреба, за да се намали въздействието върху околната среда: Включете (ON) аспиратора на минимална скорост, когато започнете да готвите и го оставете да работи няколко минути след приключване на готвенето. Увеличавайте скоростта само в случай на голямо количество дим и пари и използвайте увеличените скорости само в екстремни ситуации. Сменяйте филтъра/филтрите с активен въглен, когато е необходимо, за да поддържате добра ефективност на намаляване на миризмата. Почиствайте филтъра/филтрите за мазнини, когато е необходимо, за да поддържате добра ефективност на филтъра за мазнините. Използвайте максималния диаметър на системата за отвеждане на въздуха, посочен в това ръководство за оптимизиране на ефективността и за намаляване на шума.

Аспираторът разполага с осветителна система със СВЕТОДИОДИ.



СВЕТОДИОДИТЕ гарантират оптимално осветление, до 10 пъти по-силно от традиционните лампи и позволяват 90% икономия на електроенергия.

За да подмените лампите, моля свържете с оторизирания сервис за резервни части.

НЕИЗПРАВНОСТ ВЪВ ФУНКЦИОНИРАНЕТО

Ако нещо не функционира както трябва, преди да се свържете с Техническото обслужване, направете някои семпли проверки:

- Ако аспираторът не функционира:
Проверете дали:
 - не е прекъснал тока;
 - е зададена някаква скорост.
- Ако аспираторът не засмуква достатъчно:
Проверете дали:
 - Избраната скорост е подходяща в зависимост от отделеното количество дим и пара.
 - Дали кухнята се проветрява достатъчно, за да се осигури обмяна на въздуха.
 - Филтърът с активен въглен не е износен (филтрираща версия).
- Ако аспираторът е изгаснал по време на работа:
Проверете дали:
 - не е прекъснал тока;
 - многополюсният прекъсвач не е изключил.

В случай на неизправност във функционирането, преди да се обърнете към техническия сервиз, изключете аспиратора от мрежата най-малко за 5 секунди, като извадите щепсела, след което го свържете отново. В случай, че неизправността все още е налице, обърнете се към гаранционния сервиз.

ТЕХНИЧЕСКИ ДАННИ

Височина (cm)	Ширина (cm)	Дълбочина (cm)	Ø на изпускателната тръба (cm)
110-129,5	89,8	32	15

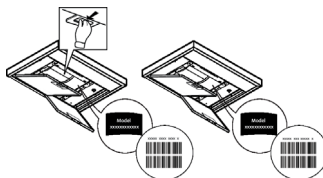


Компоненти, които не са включени към продукта



Можете да свалите инструкциите за безопасност, ръководството за потребителя и листовката с енергийните показатели на уреда, като:

- Посетите нашия уебсайт docs.whirlpool.eu
- Използвате QR кода
- Освен това можете да се свържете с отдела за следпродажбено обслужване (вижте телефонния номер в книжката за гаранцията). При контакт с отдела за следпродажбено обслужване на клиенти съобщавайте кодовете, посочени на заводската табелка на Вашия уред.



VŠEOBECNÁ BEZPEČNOSTNÍ OPATŘENÍ

- Před jakýmkoli čištěním či údržbou odpojte digestoř z elektrické sítě odpojením ze zásuvky nebo vypnutím hlavního domovního vypínače.
- Při jakýchkoli úkonech spojených s instalací či údržbou používejte ochranné rukavice.
- Tento přístroj mohou používat děti starší 8 let a osoby se sníženými tělesnými, smyslovými či duševními schopnostmi nebo osoby bez patřičných zkušeností a znalostí, pouze pokud jsou pod neustálým dozorem nebo byly poučeny o bezpečném použití výrobku a jsou si vědomy rizik spojených s jeho použitím.
- Je nutné se ujistit, zda si děti nehrají se zařízením.
- Čištění a údržba nesmí být prováděna dětmi bez dozoru.
- Místnost musí být dostatečně větraná, pokud je digestoř používána společně s jinými spalovacími zařízeními na plyn či jiná paliva.
- Vnitřní a vnější části digestoře musí být často čišťeny (NEJMÉNĚ JEDNOU ZA MĚSÍC), za dodržení výslovných pokynů uvedených v návodu k údržbě.
- Při nedodržení pokynů pro čištění digestoře a výměnu a čištění filtrů hrozí nebezpečí požáru.
- Je přísně zakázáno připravovat pod digestoří pokrmy na ohni.
- Při výměně žárovky používejte pouze typ žárovky uvedený v tomto návodu, v části věnované údržbě/výměně žárovek.

Použití otevřeného ohně může poškodit filtry a způsobit požáry, proto oheň nesmí být nikdy používán.

Zvýšenou pozornost je nutné věnovat smažení, protože přehřátý olej by se mohl vznítit. POZOR: Pokud je varná deska v provozu, přístupné části digestoře se mohou stát velmi teplými.

- Nepřipojujte přístroj k elektrické síti, dokud instalace nebude zcela ukončena.
- Nepřipojujte přístroj k elektrické síti, dokud instalace nebude zcela ukončena.
- Co se týče technických a bezpečnostních opatření pro odvod kouře, postupujte přesně podle předpisů příslušných místních orgánů.
- Odsávaný vzduch musí být odváděn do potrubí používaného pro odtah kouřů vznikajících při použití spalovacích zařízení na plyn či jiná paliva.
- Nepoužívejte a nenechávejte digestoř bez správně instalovaných žárovek, jelikož hrozí nebezpečí úrazu elektrickým proudem.
- Nikdy nepoužívejte digestoř bez správně namontované mřížky!
- Digestoř nesmí být NIKDY používána jako opěrná plocha, pokud pro tento účel není výslovně určena.
- Při instalaci používejte pouze úchytné šrouby dodané z výrobkem.
- Pokud šrouby nejsou součástí vybavení, zakupte správný typ šroubů. Používejte šrouby se správnou délkou, podle pokynů v Návodu pro instalaci.
- V případě pochyb se obraťte na pověřený servis nebo se poradte s odborným personálem.

▲ POZOR!


- V případě chybějící instalace šroubů a úchytných prvků dle pokynů uvedených v tomto návodu může dojít k vzniku nebezpečí elektrické povahy.
- Nepoužívejte s programátorem, časovým spínačem, samostatným dálkovým ovládáním nebo jiným zařízením, které se aktivuje automaticky.

Uchovávejte spotřebič mimo dosah dětí mladších 3 let. Bez stálého dohledu dospělé osoby uchovávejte mimo dosah dětí mladších 8 let.

- ▲ UPOZORNĚNÍ:** spotřebič není určen ke spuštění externím zařízením nebo odděleným dálkovým ovládním.
- ▲ Tento spotřebič není určen pro profesionální použití. Nepoužívejte spotřebiči na otevřeném prostranství.**
- ▲ Aby nedošlo k poranění osob, musí být spotřebiči přemístěn a nainstalován dvěma nebo více osobami.**
- ▲ Instalace, včetně případných přípojek na vodu (pokud jsou k dispozici) a elektrických přípojek, jakož i opravy musí provádět kvalifikovaný personál.**

Po dokončení instalace uložte obalový materiál (plastové díly, polystyren, atd) mimo dosah dětí, aby se zabránilo riziku udušení. .
Nepoužívejte přístroj, pokud jste mokří nebo naboso.

Nikdy nepoužívejte parní čističí přístroje - nebezpečí úrazu elektrickým proudem.

Obalový materiál je 100% recyklovatelný a je označen symbolem recyklace 

Digestoř může mít odlišný vzhled od ilustrací na výkresech této příručky, nicméně návod k použití, údržba a montáž zůstávají nezměněny.

Výrobce odmítá převzít jakoukoliv odpovědnost za případné závady, škody nebo vznícení digestoře, které byly způsobeny nedodržением těchto předpisů. Digestoř je projektována pro odsávání dýmů a par při vaření a je určena pouze k domácímu účelům.

- Je důležité uchovat si tuto příručku, abyste ji mohli konzultovat v jakémkoliv okamžiku. V případě prodeje, postoupení či stěhování si zajistíte, aby zůstala společně s přístrojem.
- Přečtěte si pozorně návod: obsahuje důležité informace o instalaci, užití a bezpečnosti.
- Neměňte elektrickou či mechanickou úpravu výrobku anebo výrobního zařízení.
- Před instalací zařízení zkontrolujte, zda některá ze součástí není poškozena. V opačném případě kontaktujte prodejce a nepokračujte v instalaci.

Minimální vzdálenost mezi podporou nádoby na varné ploše a nejnižší částí digestoře nesmí být menší než 50cm v případě elektrických sporáků 65cm v případě plynových či smíšených sporáků.

Pokud návod na instalaci varného zařízení na plyn doporučují větší vzdálenost, je třeba se tímto pokynem řídit.

NAPOJENÍ NA ELEKTRICKOU SÍŤ

Síťové napětí musí odpovídat napětí uvedenému na štítku s charakteristikami umístěného uvnitř krytu. Pokud je kryt vybaven přípojkou, stačí jej zapojit do zásuvky odpovídající stávajícím normám, která se nachází ve snadno dosažitelném prostoru i po provedené montáži. Pokud kryt není vybaven přípojkami (přímé připojení k síti) nebo se zásuvka nenachází ve snadno dosažitelném prostoru i po provedené montáži, je třeba použít dvojpólový vypínač odpovídající normám, který zaručí úplné odpojení od sítě v podmínkách kategorie přepětí III, v souladu s pravidly instalace.

▲ POZOR!


Dříve než opět napojíte obvod digestoře na síťové napájení a ověřte správné fungování, zkontrolujte si vždy, že síťový kabel byl správně namontován.

Pokud není kabel opatřen zástrčkou, připojte vodiče podle informací v následující tabulce:

Síťové napětí a frekvence

Viz hodnota uvedená na technickém štítku s vlastnostmi uvnitř digestoře.

Připojení vodičů

 : žluto/zelená
N : modrá
L : hnědá

Výměna napájecího kabelu

Digestoř je vybavena speciálním napájecím kabelem; v případě poškození kabelu vyžádejte si ho u servisní služby.

VÝVOD VZDUCHU

FILTRUJÍCÍ ANEBŮ ODSÁVACÍ?

Vaše digestoř byla navržena pro použití výhradně ve filtrační verzi
Odsávaný vzduch bude před návratem do místnosti zbaven tuku a pachů.
Filtrační systém je vybaven aktivním uhlíkovým filtrem High Performance

Poznámka: vzhledem k technickým charakteristikám digestoř nelze používat v odsávací verzi

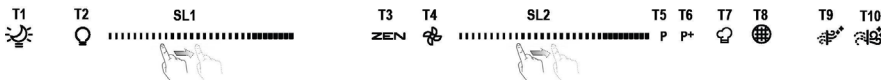
Důležité upozornění! Pro instalaci je nutné použít ohebnou trubku

Filtrující verze

Odsávaný vzduch bude před návratem do místnosti zbaven tuku a pachů. K použití digestoře v této verzi je nutné instalovat dodatečný systém filtrování na základě aktivních uhlíků.

OVLÁDÁNÍ

Odsavač je vybaven ovládacím panelem s ovládáním rychlosti odsávání a zapínáním osvětlení pracovní plochy.



- T1. „ON/OFF“ (ZAPNUTO/VYPNUTO) "Noční světlo"
- T2. Vypínač osvětlení varné desky ZAPNUTO/ VYPNUTO – zvolte teplotu barvy světla
- T3. Ovládání režimu "ZEN"
- T4. Vypínač motoru ZAPNUTO/VYPNUTO
- T5. Funkce "INTENZIVNÍ VÝKON 1"
- T6. Funkce "INTENZIVNÍ VÝKON 2"
- T7. Automatický režim "Cook Sense"
- T8. Indikátor zanesení filtru
- T9. "ON/OFF" (ZAPNUTÍ / VYPNUTÍ) provozního režimu "Daily Air Sense"
- T10. "ON/OFF" (ZAPNUTÍ / VYPNUTÍ) provozního režimu "Intensive Air Sense"

T1. "ON/OFF" (ZAPNUTO/VYPNUTO) "NOČNÍ SVĚTLO"

Stiskem zapnete nebo vypnete tlumené světlo na pozadí.

T2. VYPÍNAČ OSVĚTLENÍ VARNÉ DESKY ZAPNUTO/VYPNUTO – ZVOLTE TEPLITU BARVY SVĚTLA

Stiskem zapnete nebo vypnete osvětlení varné desky.

- Při zapnutém osvětlení posunutím prstem napravo nebo nalevo po pásu diod LED **SL1** zvýšíte nebo snížíte intenzitu světla.

Pro nastavení barevné teploty osvětlení

- Opětovně stiskněte (a podržte),
 - posunutím prstu napravo nebo nalevo po pásu LED diod **SL1** nastavíte barvu světla na studenější nebo teplejší.
- Pokud barvu světla během pěti sekund nezměníte, začnou diody LED **SL1** blikat se zvoleným nastavením a zazní zvukový signál na znamení, že systém tuto konfiguraci uložil.
- Upozornění: Světlo se rozsvítí s intenzitou, která byla nastavena před vypnutím spotřebiče.

T3. OVLÁDÁNÍ REŽIMU „ZEN“

Stisknutím aktivujete nebo deaktivujete režim **odsávání „ZEN“**.

Tato funkce umožňuje aktivovat rychlost odsávání s dokonalým vyvážením tichosti a účinnosti odsávání.

T4. VYPÍNAČ MOTORU ZAPNUTO/VYPNUTO

Stisknutím zapnete nebo vypnete **motor odsávání**.

- Při zapnutém motoru posunutím prstu napravo nebo nalevo po pásu LED diod **SL2** zvýšíte nebo snížíte rychlost odsávání.

T5. FUNKCE „INTENZIVNÍ VÝKON 1“

Se zapnutým motorem odsávání stisknete „T5“ pro aktivaci stupně rychlosti „**POWER BOOST 1**“ – **intenzivní odsávání** (časově řízeno).

Upozornění: Odsavač se po pěti minutách přepne zpět na rychlost, která byla použita před spuštěním funkce intenzivního odsávání.

T6. FUNKCE „POWER BOOST 2“

Se zapnutým motorem odsávání stisknete „T6“ pro aktivaci stupně rychlosti „**POWER BOOST 2**“ – **intenzivní odsávání** (časově řízeno).

Upozornění: Odsavač se po pěti minutách přepne zpět na rychlost, která byla použita před spuštěním funkce intenzivního odsávání.

T7. AUTOMATICKÝ REŽIM „COOK SENSE“

Odsavač automaticky zvýší rychlost odsávání na stupeň 1, pokud snímač v odsavači vyhodnotí, že okolní podmínky toto zvýšení

vyžadují.

V případě, že se okolní podmínky nezmění a odsavač je již nastaven na rychlost odsávání 1, po pěti minutách se vypne.

Upozornění: Aby byla tato funkce používána správně, nejprve **nakonfigurujte parametry pro automatický režim** podle popisu v příslušné části.

Upozornění: Pokud při použití automatického režimu změníte jakékoli jiné funkce, které řídí rychlost, funkce „Cook Sense“ se vypne.

T8. INDIKÁTORY ZANESENÍ FILTRU

Odsavač bude v pravidelných intervalech signalizovat, že je zapotřebí provést údržbu filtru.

Upozornění: Indikátory fungují pouze pokud je odsavač zapnutý.

Tlačítko **T8** svítí: Provedte údržbu tukového filtru.

Tlačítko **T8** bliká: Provedte údržbu uhlíkového filtru.

Vynulování indikátorů stavu zanesení filtru:

Upozornění: Tato činnost musí být provedena se zapnutým odsavačem.

Stiskněte a podržte tlačítko **T8**.

Aktivace indikátoru zanesení uhlíkového filtru

Upozornění: Tato činnost musí být provedena s vypnutým motorem odsávání.

Tento indikátor je obvykle deaktivovaný – současným stisknutím a podržením tlačítek **T3** a **T10** funkci aktivujete: Aktivace bude indikována rozsvícením tlačítek.

Funkci deaktivujete opětovným stiskem a podržením stejných tlačítek (**T3** a **T10**): Aktivace bude indikována krátkým zablikáním a poté zhasnutím tlačítek.

T9. „ON/OFF“ (ZAPNUTÍ / VYPNUTÍ) PROVOZNÍHO REŽIMU „DAILY AIR SENSE“

Digestoř automaticky zvýší rychlost odsávání na stupeň 1, pokud zabudovaný snímač vyhodnotí, že okolní podmínky toto zvýšení vyžadují.

Pokud se rychlost odsávání kvůli detekovaným okolním podmínkám nezmění, po uplynutí dvou hodin se odsavač vypne.

Odsavač se v každém případě vypne po pěti hodinách provozu, bez ohledu na provozní režim.

Upozornění: Aby byla tato funkce používána správně, nejprve **nakonfigurujte parametry pro automatický režim** podle popisu v příslušné části.

T10. „ON/OFF“ (ZAPNUTÍ / VYPNUTÍ) PROVOZNÍHO REŽIMU „INTENSIVE AIR SENSE“

Digestoř automaticky zvýší rychlost odsávání na stupeň 5, pokud zabudovaný snímač vyhodnotí, že okolní podmínky toto zvýšení vyžadují.

Pokud se rychlost odsávání kvůli detekovaným okolním podmínkám nezmění, po uplynutí dvou hodin se odsavač vypne.

Odsavač se v každém případě vypne po pěti hodinách provozu, bez ohledu na provozní režim.

Upozornění: Aby byla tato funkce používána správně, nejprve **nakonfigurujte parametry pro automatický režim** podle popisu v příslušné části.

KONFIGURACE PARAMETRŮ PRO AUTOMATICKÝ REŽIM

Abyste zajistili správné používání automatického režimu, budete muset provést kalibraci digestoře a vybrat typ varné desky.

Kalibrace odsavače

Upozornění: Tato činnost musí být provedena se spotřebičem v pohotovostním režimu, tj. jednu minutu po vypnutí motoru.

Stiskněte a podržte tlačítko **T4** po dobu pěti sekund.

Zapne se rychlost odsávání 1 a tlačítko **T4** bude blikat na znamení, že byla zahájena kalibrace digestoře (ta bude trvat přibližně 15 minut).

Upozornění: Proces kalibrace můžete zastavit stisknutím a podržením tlačítka **T4** po dobu pěti sekund. Kalibrace však bude v takovém případě neplatná

a bude ji proto nutné zopakovat.

Upozornění: Kalibrace bude provedena automaticky při prvním zapnutí napájení produktu. **T4** bude blikat. Počkejte 15 minut na dokončení kalibrace.

Výběr typu varné desky

Upozornění: Tato činnost musí být provedena se spotřebičem v pohotovostním režimu, tj. jednu minutu po vypnutí motoru.

Stiskněte a podržte tlačítka **T9** a **T10** po dobu pěti sekund.

Tlačítka **T9** a **T10** se rozsvítí.

Pokud je k ohřevu varné desky použit plyn, stiskněte tlačítko **T9** – tlačítko bude blikat na znamení, že byla zvolena tato možnost.

Pokud je k ohřevu varné desky použita elektřina, stiskněte tlačítko **T10** – tlačítko bude blikat na znamení, že byla zvolena tato možnost.

Po stisknutí bude tlačítko blikat po dobu tří sekund na znamení, že výběr byl uložen.

ÚDRŽBA

Čištění

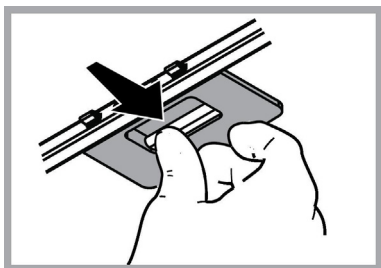
Pro čištění je třeba použít **VÝHRADNĚ** látku navlhčenou neutrálními tekutými čistícími prostředky. **NEPOUŽÍVEJTE ŽÁDNÉ NÁSTROJE NEBO POMŮCKY NA ČIŠTĚNÍ. NEPOUŽÍVEJTE ALKOHOL!**

Údržba tukových filtrů

Zadržuje částice tuku uvolňující se při vaření.

Tukový filtr se musí 1x do měsíce vyčistit (vyprat), anebo jestliže systém vyznačování saturace filtru - pokud je součástí vybavení vlastněného modelu - vyznačuje tuto potřebu. Je možné jej čistit ručně jemným mycím prostředkem nebo v kuchyňské myčce při nejnižší teplotě a kratším programu.

Demontáž tukového filtru je znázorněna - zatlačte na západku filtru.



Údržba filtrů s uhlíkem

Tento filtr pohlcuje nepříjemné pachy vznikající při vaření. K zanesení uhlíkového filtru dochází po různě dlouhé době, podle typu kuchyně a podle intervalů čištění tukového filtru. V každém případě je nutné měnit filtrační vložku nejméně každých 5 let.

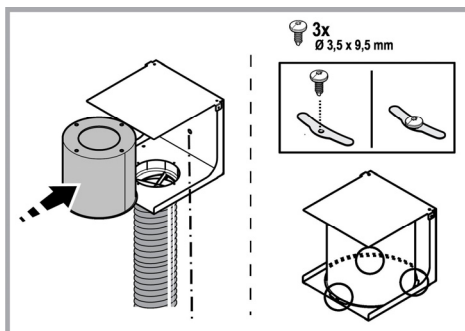
NELZE jej mýt a regenerovat

Pro dokonalou odsávací výkonnost je filtr větší než standardní filtry a je instalován na nosiči umístěném nad digestoří.

Instalace nebo výměna uhlíkového filtru

1. Odpojte odsavač od elektrické sítě.
2. Vložte válcový filtr do držáku.
3. Zajistěte filtr pomocí šroubů a destiček, které byly dodány společně se spotřebičem.

Při snímání filtrů postupujte v obráceném pořadí.



Výměna svítidel

Digestoř je vybavena osvětlovacím systémem založeným na technologii DIOD.


DIODY zaručují optimální osvětlení, s trvanlivostí až 10 krát delší než tradiční svídkla a umožňují úspory 90% elektrické energie.

Pro výměnu žárovek kontaktujte servisní středisko, pověřené prodejem náhradních dílů.

LIKVIDACE ODPADU

Tento spotřebič je označený v souladu s evropskou směrnicí 2012/19/EC o likvidaci elektrického a elektronického zařízení (WEEE). Zajištěním správné likvidace tohoto výrobku pomůžete zabránit případným negativním důsledkům na životní prostředí a lidské zdraví, ke kterým by nevhodnou likvidací tohoto výrobku mohlo dojít.



Symbol  na výrobku nebo na dokumentech přiložených k výrobku udává, že tento spotřebič nepatří do domácího odpadu. Spotřebič je nutné odvézt do sběrného místa pro recyklaci elektrického a elektronického zařízení.

Likvidace musí být provedena v souladu s místními předpisy o ochraně životního prostředí, které se týkají likvidace odpadu.

Podrobnější informace o zpracování, rekuperaci a recyklaci tohoto výrobku zjistíte u příslušného místního úřadu, služby pro likvidaci domovního odpadu nebo v obchodě, kde jste výrobek zakoupili.

Přístroj byl navržen, testován a vyroben v souladu s:

- Bezpečnost: EN/IEC 60335-1; EN/IEC 60335-2-31, EN/IEC 62233.
- Výkonnost: EN/IEC 61591; ISO 5167-1; ISO 5167-3; ISO 5168; EN/IEC 60704-1; EN/IEC 60704-2-13; EN/IEC 60704-3; ISO 3741; EN 50564; IEC 62301.

- EMC: EN 55014-1; CISPR 14-1; EN 55014-2; CISPR 14-2; EN/IEC 61000-3-2; EN/IEC 61000-3-3.

(Osobitý mezinárodní výbor pro rádiové rušení, pozn. překl)

Doporučení pro správné použití s cílem snížit dopad na životní prostředí:

Zapněte digestoř na minimální rychlost, když začnete s vařením a nechte ji běžet několik minut poté, co jste vaření ukončili. Zvyšte rychlost pouze v případě nadměrného množství kouře nebo páry a použijte podpornou rychlost (i) jenom v extrémních situacích. Vyměňte uhlíkový filtr (y), je-li to nutné pro udržování účinnosti snižování zápachu. Vyčistěte tukový filtr (y), je-li to nutné pro udržování jeho účinnosti. Použijte maximální průměr potrubního systému, jak je uvedeno v tomto návodu, pro optimalizaci účinnosti a minimalizaci hluku.

TECHNICKÉ PORUCHY

Pokud máte dojem, že něco správně nefunguje, dříve než se obrátíte na servisní službu, proveďte následující jednoduchá kontrolní opatření:

- jestliže digestoř nefunguje:
Ověřte si, zda:
 - nedošlo k přerušení elektrického proudu.
- jestliže digestoř má nedostatečný výkon:
Ověřte si, zda:
 - zvolená rychlost motoru je postačující pro uvolnění množství dýmu a par.
 - zda je kuchyně dostatečně větrána, aby v ní bylo možno umístit přívod vzduchu.
 - zda filtr s uhlíkem není opotřebován (pokud je digestoř ve filtrující verzi).
- Pokud se digestoř při normálním provozu vypne:
Ověřte si, zda:
 - nedošlo k přerušení elektrického proudu.
 - zda nezasáhl multipólový jistič

V případě eventuálních technických poruch dříve než se obrátíte na servisní službu, odpojte přístroj alespoň na 5 vteřin z elektrické sítě, vyjměte zásuvku ze zástrčky a pak ho opět napojte na síť. V případě, že technická porucha trvá, obraťte se na servisní službu.

TECHNICKÉ ÚDAJE

Výška (cm)	Šířka (cm)	Hloubka (cm)	Ø potrubí odtahu (cm)
110-129,5	89,8	32	15

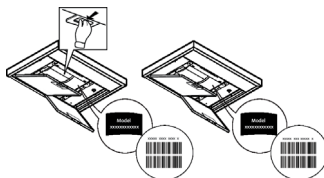


Komponenty, které nejsou součástí vybavení výrobku



Bezpečnostní pokyny, návod k použití, štítek výrobku a energetické údaje si můžete stáhnout pomocí:

- naší webové stránky docs.whirlpool.eu
- naskenování QR kódu
- případně **kontaktujte náš poprodejní servis** (telefonní číslo najdete v záručním listě). Při kontaktování našeho poprodejního servisu prosím uveďte kódy na identifikačním štítku produktu.



GENEREL SIKKERHED

- Før deres foretages nogen form for indgreb i forbindelse med rengøring og vedligeholdelse skal forbindelsen til strømforsyningen afbrydes ved at trække stikket ud eller ved at slukke for boligens hovedafbryder.
 - For indgreb i forbindelse med installation og vedligeholdelse skal der bruges arbejdshandsker.
 - Apparatet må kun anvendes af børn under 8 år eller af personer med nedsatte fysiske eller mentale evner, eller som ikke har den nødvendige erfaring og kendskab til det, hvis de er under opsyn, eller såfremt de har modtaget de nødvendige anvisninger til sikker brug af apparatet og kender de dermed forbundne risici.
 - Det er nødvendigt at holde øje med, at børnene ikke leger med opladeren.
 - Rengøring og vedligeholdelse må ikke udføres af børn uden opsyn.
 - Lokalet skal være udstyret med tilstrækkelig ventilation, hvis emhætten bruges samtidig med andre forbrændingsapparatet, der drives af gas eller andre brændstoffer.
 - Emhætten skal rengøres med hyppige mellemrum, både indvendigt og udvendigt (MINDST EN GANG OM MÅNEDEN).
 - Overhold under alle omstændigheder anvisningerne i vedligeholdelsesvejledningen. Manglende overholdelse af emhættens rengøringsforskrifter og af filtrenes udskiftning og rengøring medfører fare for brand. Det er strengt forbudt at tilberede mad under åben ild under emhætten.
 - Ved udskiftning af pæren må du kun anvendes den type lyspære, der er angivet i afsnittet om vedligeholdelse/udskiftning af pære i denne manual. Brug af åben ild er skadeligt for filtrene og kan medføre en brand, og det skal derfor for enhver pris undgås. Friturestegning skal udføres under overvågning for at undgå, at olien overophedes og antændes.
- PAS PÅ!** Når kogepladen er i brug, kan emhættens tilgængelige dele blive meget varme.
- Apparatet må ikke tilsluttes strømforsyningen, før installationen er helt fuldført.
 - Hvad angår de anviste tekniske og sikkerhedsmæssige forholdsregler til udledning af røg, skal du omhyggeligt overholde de lokale myndigheders forskrifter.
 - Den udsugede luft må ikke tilføres en skakt, der bruges til udledning af røg fra forbrændingsapparater, der fungerer med gas eller andre brændstoffer.
 - Du må ikke bruge eller efterlade emhætten uden korrekt monterede pærer for at undgå en risiko for elektrisk stød.
 - Brug aldrig emhætten uden en korrekt monteret rist!
 - Emhættens overflade må ALDRIG anvendes som afsætningsplade, med mindre dette er udtrykkeligt angivet.
 - Brug kun de medfølgende fastspændingsskruer til produktet i forbindelse med installationen eller – såfremt de ikke medfølger – skal du indkøbe den korrekte type skruer.
 - Brug skruer af korrekt længde, som anført i installationsvejledningen.
 - I tvivlstilfælde bør du kontakte dit autoriserede servicecenter eller en kvalificeret tekniker.

ADVARSEL!

- Hvis der ikke monteres de skruer og fastspændingsanordninger som angivet i disse anvisninger, kan der opstå risiko for elektriske problemer.

- Brug ikke sammen med en programmeringsenhed, timer, separat fjernbetjening eller andre enheder, der aktiveres automatisk.

Børn under 3 år skal holdes langt væk fra apparatet. Hold apparatet utilgængeligt for børn under 8 år, med mindre de konstant overvåges af en voksen.

⚠ ADVARSEL: Apparatet er ikke beregnet til at blive idriftsat ved hjælp af en ekstern enhed eller et separat fjernbetjeningssystem.

⚠ Dette apparat er ikke beregnet til professionel brug. Apparatet må ikke anvendes i det fri.

⚠ For at undgå risiko for kvæstelser skal apparatet håndteres og installeres af to eller flere personer.

⚠ Installationen, herunder også eventuelle vandforsyningsforbindelser (hvis relevant), og de elektriske tilslutninger, og reparationsarbejde skal udføres af kvalificeret personale.

Når installationen er færdig, skal emballagen (plastikdele, polystyren osv.) opbevares uden for børns rækkevidde for at undgå kvælningssrisiko. .

Brug aldrig apparatet, når du er våd eller barfodet.

Brug aldrig damprensingsapparater – risiko for elektrisk stød.

Emballagen er 100% genanvendelig og er markeret med genbrugssymbolet



Emhætten kan have et andet udseende i forhold til modellen på tegningerne i denne vejledning. Vejledningen til brug, vedligeholdelse og installation er dog uændret.

Overhold venligst alle instruktioner i denne vejledning. Fabrikanten frasiger sig ethvert ansvar for eventuelle fejl, skader eller brande forårsaget af apparatet, men afledt af manglende overholdelse af instruktionerne i denne vejledning. Emhætten er beregnet til udsugning af røg og damp fra madlavning, og må kun benyttes til almindelig husholdning.

- Det er vigtigt at opbevare denne vejledning, så man får mulighed for at læse den senere. Ved viseresalg, overdragelse eller flytning skal man sørge for, at vejledningen følger emhætten.
- Læs instruktionerne omhyggeligt: der findes vigtige oplysninger om installation, brug og sikkerhed.
- Der må ikke udføres elektriske eller mekaniske ændringer på emhætten eller på udslipsrørene.
- Undersøg at ingen komponenter er beskadiget, før apparatet installeres. Kontakt forhandleren og undlad at fortsætte med installationen, hvis der påvises beskadigelser.

Minimumsafstanden mellem kogevejrets støtteoverflade på komfuret og den nederste del af emhætten må ikke være under 50cm ved elektriske kogeplader, og ikke under 65cm ved gasblus eller komfurer med både gasblus og elektriske kogeplader.

Hvis gaskomfurets vejledning angiver en større afstand, skal dette overholdes.

ELEKTRISK TILSLUTNING

Netspændingen skal svare til spændingen vist på typeskiltet internt i emhætten. Hvis emhætten er udstyret med et stik, skal emhætten tilsluttes en let tilgængelig stikkontakt, der er i overensstemmelse med de gældende standarder. Stikkontakten skal også være let tilgængelig efter installationen. Hvis emhætten ikke er udstyret med et stik (direkte tilslutning til elnettet), eller hvis stikket ikke findes i et område, der også er let tilgængeligt efter installationen, skal der monteres en topolet afbryderkontakt i overensstemmelse med standarderne, der sørger for fuld afbrydelse fra elnettet i tilfælde af forhold i overspændingskategori III, og i overensstemmelse med reglerne for elektriske installationer.

⚠ OBS!

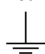
Undersøg altid, at netkablet er blevet monteret rigtigt, før emhættens kredsløb tilsluttes forsyningsnettet og der udføres kontrol af korrekt funktion.

Hvis kablet ikke er udstyret med et stik, skal ledningerne forbindes i overensstemmelse med den følgende tabel:

Ledningsnettets spænding og frekvens

Se den angivne værdi på etiketten med tekniske data inde i emhætten.

Ledningsforbindelse

 : gul/grøn
N : blå
L : brun

Udskiftning af forsyningskabel

Emhætten er udstyret med en special forsyningsledning; hvis denne ledning beskadiges, skal den bestilles hos den tekniske service.

UDLEDNING AF LUFT

FILTRERENDE ELLER SUGENDE ?

! Din emhætte er designet til kun at blive brugt i filtreringsversionen

Filtreringssystemet har et filter med aktivt kul High Performance

Bemærk: på grund af dets tekniske egenskaber er det ikke muligt at bruge emhætten i sugesversionen

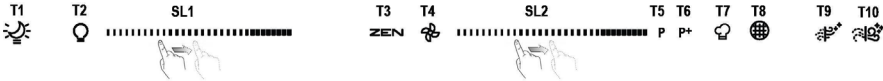
Vigtigt! Installationen påkræver anvendelse af et fleksibel rør

Filtrerende udgave

Den indsugede luft affedtes og lugten fjernes, før luften sendes tilbage i lokalet. For at benytte emhætten i denne udgave skal der monteres et supplerende filtreringssystem baseret på aktivt kul.

BETJENINGSANORDNINGER

Emhætten er udstyret med et betjeningspanel med mulighed for regulering af sugestykken og lys til oplysning af kogeområdet.



T1. ON/OFF "Natlys"

T2. Arbejdslys ON/OFF – Valg af farvetemperatur

T3. Betjening af "ZEN Mode"

T4. Motor ON/OFF

T5. Funktionen "STYRKEINTENSIVERING 1"

T6. Funktionen "STYRKEINTENSIVERING 2"

T7. Automatisk tilstand "Cook Sense"

T8. Filtermætningsindikator

T9. "Daily Air Sense" driftstilstand ON/OFF

T10. "Intensive Air Sense" driftstilstand ON/OFF

T1. ON/OFF "NATLYS"

Tryk herpå, for at tænde eller slukke for den bløde baggrundsbelysning.

T2. ARBEJDSLYS ON/OFF – VALG AF FARVETEMPERATUR

Tryk, for at tænde eller slukke for arbejdslyset.

• Når lyset er tændt, stryger man med fingeren mod højre eller venstre hen over **SL1** lysdiodestriben, for at forøge eller reducere lysets styrke.

Til indstilling af belysningens farvetemperatur

• Tryk (og hold) igen,

• stryg med fingeren mod højre eller venstre hen over **SL1** lysdiodestriben, for at gøre lysstyrken koldere eller varmere.

Hvis farven ikke ændres inden for fem sekunder, vil **SL1** blinke ved den valgte farveindstilling og der lyder et signal, for at angive, at systemet har lagret denne konfiguration.

Bemærk: Lyset tændes ved den sidst indstillede intensitet, før apparatet blev slukket.

T3. BETJENING AF "ZEN MODE"

Tryk for at aktivere eller deaktivere tilstanden "ZEN-udsugning".

Denne funktion giver mulighed for at aktivere en udsugningshastighed med den perfekte balance mellem støjsvaghed og udsugningens styrke.

T4. MOTOR ON/OFF

Tryk for at tænde eller slukke for **udsugningens motor**.

• For tændt motor, stryger man med fingeren mod højre eller venstre hen over **SL2** lysdiodestriben, for at forøge eller reducere udsugningens hastighed.

T5. FUNKTIONEN "STYRKEINTENSIVERING 1"

Tryk, for tændt udsugningsmotor, på T5 for at aktivere hastigheden "STYRKEINTENSIVERING 1" **intensiv udsugning** (tidsstyret).

Bemærk: Emhætten vil vende tilbage til den tidligere anvendte hastighed efter fem minutter.

T6. FUNKTIONEN “STYRKEINTENSIVERING 2”

Tryk, for tændt udsugningsmotor, på T6 for at aktivere hastigheden “**STYRKEINTENSIVERING 2**” **intensiv udsugning** (tidsstyret).

Bemærk: Emhætten vil vende tilbage til den tidligere anvendte hastighed efter fem minutter.

T7. AUTOMATISK TILSTAND “COOK SENSE”

Emhætten vil automatisk forøge udsugningens hastighed til 1, hvis sensoren i emhætten registrerer, at omgivelsesforholdene kræver dette.

Hvis omgivelsesforholdene ikke ændres – og emhætten allerede kører med udsugningshastigheden 1 – vil emhætten slukke efter fem minutter.

Bemærk: Med henblik på at sikre, at denne funktion anvendes korrekt, skal du venligst først **konfigurere den automatiske tilstands parametre** som beskrevet i det relevante afsnit.

Bemærk: Under brug af den automatiske tilstand vil funktionen “Cook Sense” slukke, hvis man ændrer en af de andre funktioner, der styrer hastigheden.

T8. FILTERMÆTNINGSINDIKATORER

Ved regelmæssige intervaller signalerer emhætten behovet for at vedligeholde filteret.

Bemærk: Indikatorerne virker kun, når emhætten er tændt.

Tændt **T8** knap: Udfør vedligeholdelsen af fedtfilteret.

Blinkende **T8** knap: Udfør vedligeholdelse af kulfilteret.

Nulstilling af filtermætningsindikatorer:

Bemærk: Dette skal gøres for tændt emhætte.

Tryk og hold knappen **T8** trykket.

Aktivering af kulfilterets mætningsindikator

Bemærk: Dette skal gøres for slukket udsugningsmotor.

Denne indikator er sædvanligvis inaktiveret – tryk og hold knapperne **T3** og **T10** trykket samtidig, for at aktivere funktionen: Knapperne vil tænde, for at angive aktiveringen.

Funktionen inaktiveres ved at trykke og holde de samme knapper (**T3** og **T10**) trykket igen: Knapperne vil blinke kortvarigt og herefter slukke, for at angive inaktiveringen.

T9. “DAILY AIR SENSE” DRIFTSTILSTAND ON/OFF

Emhætten vil automatisk forøge udsugningens hastighed til 1, hvis sensoren i emhætten registrerer, at omgivelsesforholdene kræver dette.

Hvis udsugningens hastighed ikke ændres på grund af de registrerede omgivelsesforhold, vil emhætten slukke efter to timer.

Emhætten vil under alle omstændigheder slukke efter fem timers brug, uden hensyn til driftstilstanden.

Bemærk: Med henblik på at sikre, at denne funktion anvendes korrekt, skal du venligst først **konfigurere den automatiske tilstands parametre** som beskrevet i det relevante afsnit.

T10. “INTENSIVE AIR SENSE” DRIFTSTILSTAND ON/OFF

Emhætten vil automatisk forøge udsugningens hastighed til 5, hvis sensoren i emhætten registrerer, at omgivelsesforholdene kræver dette.

Hvis udsugningens hastighed ikke ændres på grund af de registrerede omgivelsesforhold, vil emhætten slukke efter to timer.

Emhætten vil under alle omstændigheder slukke efter fem timers brug, uden hensyn til driftstilstanden.

Bemærk: Med henblik på at sikre, at denne funktion anvendes korrekt, skal du venligst først **konfigurere den automatiske tilstands parametre** som beskrevet i det relevante afsnit.

KONFIGURATION AF DEN AUTOMATISKE TILSTANDS PARAMETRE

For at sikre, at den automatiske tilstand anvendes korrekt, skal man kalibrere emhætten og markere kogesektionens type.

Kalibrering af emhætten

Bemærk: Dette skal gøres med apparatet i standby, dvs. et minut efter slukning af motoren.

Tryk og hold knappen **T4** trykket i fem sekunder.

Udsugningens hastighed 1 vil tænde og knappen **T4** vil blinke, for at angive, at emhættens kalibrering er startet (dette tager cirka 15 minutter).

Bemærk: Tryk og hold knappen **T4** trykket i fem sekunder, for at stoppe kalibreringsprocessen. Kalibreringen invalideres så og skal derfor gentages.

Bemærk: Kalibreringen vil automatisk blive afviklet, når produktets strømforsyning slås til igen for første gang. **T4** vil blinke. Vent 15 minutter til kalibreringen er fuldført.

Valg af kogesektionens type

Bemærk: Dette skal gøres med apparatet i standby, dvs. et minut efter slukning af motoren.

Tryk og hold knapperne **T9** og **T10** trykket i fem sekunder.

Knapperne **T9** og **T10** vil tænde.

Hvis der bruges et gaskomfur, skal knappen **T9** trykkes – knappen vil blinke, for at angive, at dette er valgt.

Hvis der bruges et el-komfur, skal knappen **T10** trykkes – knappen vil blinke, for at angive, at dette er valgt.

Knappen blinker i tre sekunder, når der er blevet trykket herpå, for at angive, at din markering er blevet gemt.

VEDLIGEHODELSE

Rengøring

Ved rengøring må der **UDELUKKENDE** anvendes en klud fugtet med neutrale, milde rengøringsmidler i flydende form.

ANVEND IKKE VÆRKTØJ ELLER ANDET Udstyr TIL RENGØRING.

Undgå brug af produkter indeholdende slibemidler **BENYT ALDRIG SPRIT!**

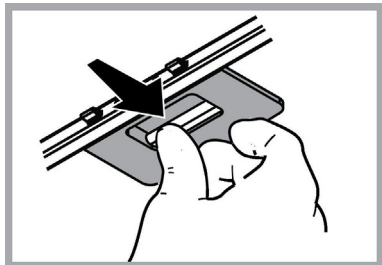
Vedligeholdelse af fedtfiltere

Tilbageholder de fedtpartikler, der dannes under tilberedning af mad.

Fedtfilteret skal rengøres med milde vaskemidler en gang om måneden (eller når signaleringssystemet for filtermætning angiver behovet – hvis denne funktion findes på den købte model); filteret kan også vaskes i opvaskemaskine ved lave temperaturer og med en kort opvaskecyklus.

Ved vask i opvaskemaskinen kan metal-fedtfilteret blive misfarvet, men dette vil ikke have negativ indflydelse på dets filtrerende egenskaber.

Træk i fjederhåndtaget for at afmontere fedtfilteret.



Vedligeholdelse af kulfilter

Filteret opfanger lugt fra madlavning.

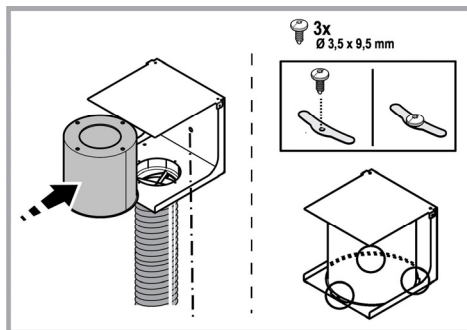
Kulfilterets mætning tager temmelig lang tid men afhænger dog af typen af tilberedning og af hvor ofte fedtfilteret rengøres. Det er dog og under alle omstændigheder nødvendigt at udskifte patronen hvert femte år. Dette KAN HVERKEN vaskes eller genanvendes.

For at opnå en optimal filterydelse er filteret større end standardfilteret og er monteret på en understøtning over emhætten.

Montering eller udskiftning af kulfilteret

1. Afbryd emhættens forbindelse til ledningsnettet.
2. Sæt det cylinderformede filter i understøtningen.
3. Fastgør filteret med apparatets medfølgende skruer og plader.

Følg den omvendte rækkefølge, for at fjerne dem.



Udskiftning af pærer

Emhætten er udstyret med et belysningsssystem baseret på lysdiode-teknologi.

Lysdioderne sikrer optimal belysning, holdbarhed op til 10 gange længere end almindelige pærer, og de giver mulighed for at spare 90% elektricitet.


Til udskiftning af lamperne, ret henvendelse til det godkendte reservedelscenter.

BORTSKAFFELSE

Dette apparat er mærket i overensstemmelse med det Europæiske Direktiv 2012/19/EC, Waste Electrical and Electronic Equipment (WEEE).

Elektrisk og elektronisk udstyr indeholder materiale, komponenter og stoffer, der kan være skadelige for menneskers sundhed og for miljøet, hvis kasseret elektrisk og elektronisk udstyr ikke håndteres korrekt.



Elektrisk og elektronisk udstyr er mærket med nedenstående overkrydsede skraldespand . Den symboliserer, at elektrisk og elektronisk udstyr ikke må bortskaffes sammen med usorteret husholdningsaffald, men indsamles særskilt.

Alle kommuner har etableret indsamlingsordninger, hvor elektrisk og elektronisk udstyr gratis kan afleveres af borgerne på genbrugsstationer og andre indsamlingssteder eller bliver afhentet direkte fra husholdningerne. Nærmere information kan fås hos kommunens tekniske forvaltning.

Produktet er designet, testet og produceret i henhold til:

- Sikkerhed: EN/IEC 60335-1; EN/IEC 60335-2-31, EN/IEC 62233.
- Kapacitet: EN/IEC 61591; ISO 5167-1; ISO 5167-3; ISO 5168; EN/IEC 60704-1; EN/IEC 60704-2-13; EN/IEC 60704-3; ISO 3741; EN 50564; IEC 62301.
- EMC: EN 55014-1; CISPR 14-1; EN 55014-2; CISPR 14-2; EN/IEC 61000-3-2; EN/IEC 61000-3-3. Forslag til korrekt anvendelse til reducere af miljøbelastning: Indstil ON på emhættens laveste hastighed, når du begynder at lave mad og sluk den først et par minutter efter endt madlavning. Forhøj kun hastigheden ved meget røg og damp. Anvend kun boost hastigheden i tilfælde, hvor det er nødvendigt. Udskift kulfilteret/kulfiltrerne, når det er nødvendigt for at bibeholde udsugningseffektiviteten. Rens fedtfilteret/fedtfiltrerne, når det er nødvendigt for at bibeholde filtereffektiviteten. Anvend det største kabelsystemdiameter til optimering af effektiviteten og til minimering af støjen.

FUNKTIONSFEJL

Hvis der opstår funktionsfejl, bør man foretage nedenstående kontrol før man ringer til Servicecenteret.

- Hvis emhætten ikke fungerer:
Kontroller følgende:
 - at der ikke er strømsvigt.
 - at der er valgt en hastighed.
- Hvis emhætten ikke rensr luften korrekt:
Kontroller følgende:
 - at den valgte motorhastighed er tilstrækkelig til mængden af røg og damp.
 - at køkkenet er korrekt ventileret af hensyn til luftindtaget.
 - at kulfilteret ikke er slidt (emhætter i filtrerende udgaver).
- Hvis emhætten slukkes under normal funktion:
Kontroller følgende:
 - at der ikke er strømsvigt.
 - om den flerpolde afbryderkontakt har grebet ind.

Hvis der opstår funktionsfejl, bør man inden henvendelse til Servicecenteret, afbryde emhætten fra elforsyningen i mindst 5 sekunder ved at trække stikket ud, og derefter tilslutte emhætten igen. Hvis funktionsfejlen stadig er til stede bedes man kontakte Servicecenteret.

TEKNISKE DATA

Højde (cm)	Bredde (cm)	Dybde (cm)	Ø på udsugningsrør (cm)
110-129,5	89,8	32	15

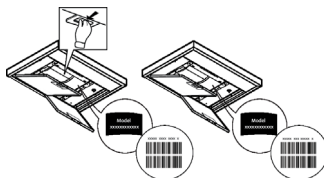


Komponenter der ikke leveres med emhætten



Du kan downloade Sikkerhedsanvisningerne, Brugsvejledningen, Databladet og Energidataene, ved at:

- Besøge vores website docs.whirlpool.eu
- Ved hjælp af QR-koden
- Eller som alternativ **kontakte vores serviceafdeling** (Telefonnummeret findes i garantihæftet). Når du kontakter vores serviceafdeling, bedes du angive koderne på dit produkts identifikationsskilt.



YLEINEN TURVALLISUUS

- Ennen minkään asennustoimenpiteen aloittamista laite tulee kytkeä irti sähköverkosta irrottamalla liitäntäjohto tai katkaisemalla virta huoneiston pääkytkimestä.
 - Käytä kaikkien asennus- ja huoltotöiden aikana työkasineitä.
 - Yli 8-vuotiaat lapset sekä henkilöt, joiden fyysinen, aistien tai mielen terveys on heikentynyt tai joilla ei ole tarpeellista kokemusta ja tietoa, saavat käyttää tätä laitetta, jos käyttöä valvotaan tai jos heille on annettu laitteen turvallista käyttöä koskevat ohjeet ja he ymmärtävät mahdolliset vaarat.
 - Valvo, että lapset eivät pääse leikkimään laitteella.
 - Lapset eivät saa puhdistaa laitetta tai tehdä kunnossapitotoimenpiteitä ilman valvontaa.
 - Huoneisto on aina tuuletettava hyvin, kun tuuletinta käytetään yhtäaikaaisesti kaasulla tai muilla polttoaineilla toimivien laitteiden kanssa.
 - Tuuletin on puhdistettava säännöllisesti sisä- ja ulkopuolelta (VÄHINTÄÄN KERRAN KUUKAUDESSA), noudata kuitenkin tämän käyttöohjeen neuvoja.
 - Tuulettimen puhdistusta ja suodattimien vaihtoa ja puhdistusta koskevien määräysten noudattamatta jättäminen voi aiheuttaa tulipalovaaran.
 - Tuulettimen alla liekittäminen on ehdottomasti kielletty.
 - Käytä ainoastaan lamppujen huolto/vaihto-ohjeessa ilmoitettuja vaihtolamppuja.
- Avotulen käyttö vahingoittaa suodattimia ja voi aiheuttaa tulipalon, siksi sitä on vältettävä joka tapauksessa.
- Älä jätä paistumassa olevaa ruokaa ilman valvontaa, jotta kuumentunut öljy ei syty palamaan.
- HUOMIO:** Liesituulettimen esillä olevat osat voivat kuumentua keittotason käytön aikana.
- Älä yhdistä laitetta sähköverkkoon ennenkuin asennus on täysin valmis.
 - Noudata huolellisesti paikallisten viranomaisten antamia savunpoiston teknisiä ja turvatoimenpiteitä koskevia määräyksiä.
 - Poistoilmaa ei saa johtaa kaasulla tai muilla polttoaineilla toimivien laitteiden savunpoistohormiin.
 - Älä käytä liesituuletinta, jos lamppu ei ole paikallaan tai jos lamppuja ei ole asennettu oikein, sillä seurauksena voi olla sähköisku.
 - Älä koskaan käytä tuuletinta, jos sen verkko ei ole asennettu oikealla tavalla!
 - Tuuletinta ei saa KOSKAAN käyttää tukipintana, jollei niin ole erikseen mainittu.
 - Käytä vain laitteen mukana tulevia asennukseen tarkoitettuja kiinnitysruuveja, tai hanki oikeanlaisia ruuveja jos ne eivät kuulu varustukseen.
 - Käytä Asennusohjeen mukaisia oikean pituisia ruuveja.
 - Epäselvissä tapauksissa ota yhteys tekniseen tukeen tai vastaavaan asiantuntijaan.

▲ VAROITUS!

- Kiinnitysruuvien ja -laitteiden ohjeiden vastainen asennus voi vaikuttaa sähköturvallisuuteen.
- Älä käytä ohjelmoitilaitteen, ajastimen, erillisen kaukosäätimen tai minkä tahansa laitteen kanssa, joka aktivoituu automaattisesti.

Pidä alle 3-vuotiaita lapsia loitolla laitteesta. Pidä laitetta pois alle 8-vuotiaiden lasten ulottuvilta ellei heidän toimintaansa valvo jatkuvasti aikuinen henkilö.

▲ VAROITUS: laitetta ei ole tarkoitettu otettavaksi käyttöön ulkoisen laitteen avulla tai käyttämällä erillistä kauko-ohjausjärjestelmää.

▲ Tämä laite ei ole tarkoitettu ammattimaiseen käyttöön. Älä käytä laitetta ulkona.

▲ Loukkaantumista koskevien vaarojen välttämiseksi, laitetta on liikutettava ja se on asennettava kahden tai useamman henkilön toimesta.

▲ Asennus, joka koskee myös mahdollisia vesijohtoliitoksia (mikäli kuuluu asennukseen) ja sähköliitäntöjä sekä korjaustoimenpiteet on suoritettava pätevän henkilöstön toimesta.

Kun asennus on valmis, säilytä pakkausmateriaaleja (muovi- ja polystyreeniosat tms.) pois lasten ulottuvilta tukehtumisvaaran välttämiseksi. .

Älä käytä laitetta kun olet märkä tai paljain jaloin.

Älä koskaan käytä höyrypuhdistimia - sähköiskun vaara.



Pakkausmateriaali on 100 % kierrätettävä ja se on merkitty kierrätysmerkillä

Tuuletin voi olla ulkonäöltään erilainen kuin käyttöohjeen kuvissa näkyvä malli. Käyttöohjeet, asennus ja huolto ovat kuitenkin muuttumattomat.

Noudata käyttöohjetta huolellisesti. Valmistaja ei vastaa käyttöohjeen noudattamattajättämisestä aiheutuneista haitoista, vahingoista tai tulipaloista. Tuuletin imee savun ja höyryn ja se on tarkoitettu ainoastaan kotitalouskäyttöön.

• On tärkeää säilyttää ohjekirja tulevaa tarvetta varten.

Mikäli laite myydään tai siirretään uudelle omistajalle tai jos laitteen käyttäjä muuttaa, on varmistettava että käyttöohje jää uuden käyttäjän saataville.

• Lue käyttöohjeet huolellisesti: ne sisältävät tärkeää tietoa laitteen asennuksesta, käytöstä ja turvallisuudesta.

• Älä tee muutoksia laitteen sähköliitäntöihin, mekaanisiin osiin tai poistoputkiin.

• Tarkista ennen laitteen asennusta, että kaikki osat ovat vahingoittumattomia. Jos laitteessa on viallisia osia, ota yhteys jälleenmyyjään ja keskeytä asennus.

Lieden keittotason tukipinnan ja keittiötuulettimen alimman osan välinen minimietäisyys on oltava vähintään 50cm sähköliesien osalta ja 65cm kaasus- ja sekaliemiesien osalta.

Jos kaasulieden käyttöohjeissa vaaditaan suurempi etäisyys, on se otettava huomioon.

SÄHKÖLIITÄNTÄ

Verkon jännitteen on oltava sama kuin tuulettimen sisäpuolella olevassa tyyppikilvessä ilmoitettu jännite. Jos laitteessa on pistoke, liitä tuuletin voimassaolevien normien mukaiseen pistorasiaan, joka sijaitsee sellaisessa paikassa, että siihen pääsee käsiksi myös asennuksen jälkeen. Jos laitteessa ei ole pistoketta (suora liitos verkkoon) tai pistoke ei ole sellaisessa paikassa että siihen pääsee käsiksi myös asennuksen jälkeen, käytä normien mukaista kaksinapaista katkaisijaa, jolla varmistetaan että laite saadaan kokonaan irti sähköverkosta, jos ylijännite kategoria on III, asennussääntöjen mukaisesti.

▲ HUOMIO!

Tarkista aina, että verkkokaapeli on asennettu oikealla tavalla ennen kuin yhdistät tuulettimen sähköverkkoon ja tarkistat että se toimii oikein.

Jos kaapelissa ei ole pistoketta, kytket johdot seuraavan taulukon mukaisesti:

Verkon jännite ja taajuus

Viittaa liesituulettimen sisällä olevaan ominaisuudet sisältävään tarraan.

Johtojen kytkentä

 : keltainen/vihreä

N : sininen

L : ruskea

Virtajohdon vaihto

Tuulettimessa on erityinen sähköjohto; jos johto rikkoutuu, pyydä uusi johto tekniseltä tuelta.

ILMANPOISTO

SUODATIN- VAI IMUKUPUVERSIO?

! Tämä liesituuletin on suunniteltu käytettäväksi ainoastaan suodatusstilassa Suodatusjärjestelmässä käytetään High Performance -aktiivihilisuodatinta

Huom.: teknisten ominaisuuksien vuoksi liesituuletinta ei voi käyttää imutillassa

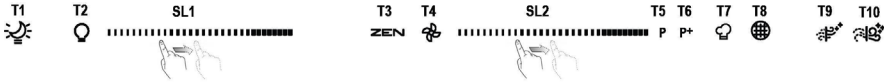
Tärkeää! Asennuksessa on käytettävä letkua

Suodatinversio

Suodatetusta ilmastu rasva ja pahat hajut ennen kuin se palautuu takaisin huoneistoon. Kun tuuletinta käytetään tässä toimintamallissa, siihen on asennettava aktiivihiihi lisäsuodatinjärjestelmä.

OHJAIMET

Liesituuletin on varustettu ohjauspaneelilla, josta voidaan säätää imun nopeuksia ja kytkeä valo, joka valaisee keittotasoa.



T1. Yövalon katkaisin

T2. Lieden valokatkaisin – Värilämpötilan valitseminen

T3. "ZEN" -toiminnon käyttö

T4. Moottori PÄÄLLE/POIS

T5. "TEHON LISÄYS 1" -toiminto

T6. "TEHON LISÄYS 2" -toiminto

T7. Automaattinen "Cook Sense" -toimintatapa

T8. Suodattimen täyttymisen ilmaisin

T9. PÄÄLLÄ/POIS-toimintoinen "Daily Air Sense" -toimintatapa

T10. PÄÄLLÄ/POIS-toimintoinen "Intensive Air Sense" -toimintatapa

T1. YÖVALON KATKAISIN

Pehmeä taustavalaistus sytytetään tai sammutetaan painamalla katkaisinta.

T2. LIEDEN VALOKATKAISIN – VÄRILÄMPÖTILAN VALITSEMINEN

Lieden valot sytytetään ja sammutetaan katkaisinta painamalla.

• Kun valot palavat, hipaiseminen sormella oikeaan tai vasempaan **SL1**-LED-rivin päältä voimistaa tai himmentää valon voimakkuutta.

Värilämpötilan valitseminen

• Pidä painiketta painettuna ja

• hipaise sormella oikeaan tai vasempaan **SL1**-LED-rivin päältä asettaaksesi valon kylmemmäksi tai lämpimämmäksi.

Jos et vaihda väriä viiden sekunnin kuluessa, **SL1** vilkkuu valitsemasi väriasetuksen kohdalla ja äänimerkki ilmoittaa järjestelmän tallentaneen tämän asetuksen.

Huomaa: Valo syttyy samalla voimakkuudella, joka oli asetettuna ennen kuin laite sammutettiin edellisen kerran.

T3. "ZEN" -TOIMINNON KÄYTTÖ

"ZEN" -poistotapa laitetaan päälle tai pois päältä painamalla tätä painiketta.

Tämä toiminto mahdollistaa imunopeuden käynnistämisen siten, että hiljaisuus ja ilmanpoiston tehokkuus pysyvät ihanteellisissa tasapainossa.

T4. MOOTTORI PÄÄLLE/POIS

Poistomoottori käynnistetään tai sammutetaan painamalla tätä painiketta.

• Kun moottori on käynnissä, hipaiseminen sormella oikeaan tai vasempaan **SL2**-LED-rivin päältä voimistaa tai laskee imunopeutta.

T5. "TEHON LISÄYS 1" -TOIMINTO

Poistomoottorin ollessa käynnissä voit aktivoida "TEHON LISÄYS 1" **tehostetun** poistotoiminnon (aikasäädely) painamalla T5-painiketta.

Huomaa: liesituuletin siirtyy käymään aiemmalla nopeudellaan viiden minuutin kuluttua.

T6. "TEHON LISÄYS 2" -TOIMINTO

Poistomoottorin ollessa käynnissä voit aktivoida "TEHON LISÄYS 2" **tehostetun** poistotoiminnon (aikasäädely) painamalla T6-painiketta.

Huomaa: liesituuletin siirtyy käymään aiemmalla nopeudellaan viiden minuutin kuluttua.

T7. AUTOMAATTINEN ”COOK SENSE” -TOIMINTATAPA

Liesituuletin nostaa imunopeuttaan arvoon 1 automaattisesti, jos liesituulettimen anturi havaitsee ympäristön olosuhteiden vaativan kyseistä säätöä.

Jos ympäristön olosuhteet eivät muutu – ja liesituuletin käyttää jo imunopeutta 1 – liesituuletin sammuu viiden minuutin kuluttua.

Huomaa: jotta tätä toimintoa käytettäisiin oikein, **konfiguroi automaattisen toimintatavan parametrit** ensin kyseisessä kappaleessa ilmoitetulla tavalla.

Huomaa: jos automaattisen toimintatavan aikana muutetaan mitä tahansa nopeuteen vaikuttavaa toimintoa, ”Cook Sense” -toiminto sammuu.

T8. SUODATTIMEN TÄYTTYMISEN ILMAISIMET

Liesituuletin ilmoittaa säännöllisin väliajoin, että on tullut aika suorittaa suodattimen huolto.

Huomaa: Ilmaisimet toimivat ainoastaan liesituulettimen ollessa päällä.

T8 painike palaa: Suorita rasvasuodattimen huolto.

T8 painike vilkkuu: Suorita hiilisuodattimen huolto.

Suodattimen täyttymisen ilmaisimien palauttaminen normaalitilaan:

Huomaa: Tämä on tehtävä liesituulettimen ollessa päällä.

Paina **T8**-painiketta ja pidä sitä painettuna.

Hiilisuodattimen täyttymisen ilmaisimen aktivoiminen

Huomaa: Tämä on tehtävä poistomoottorin ollessa poissa päältä.

Tämä ilmaisin on yleensä poissa päältä – paina **T3-** ja **T10-**painikkeita samanaikaisesti, jos haluat käynnistää toiminnon: Painikkeiden syttyminen ilmoittaa aktiivoinnin tapahtuneen.

Toiminto suljetaan pois käytöstä painamalla samoja painikkeita (**T3** ja **T10**) uudelleen: Painikkeet vilkkuvat lyhyesti ja sammuvat sitten; tämä on merkinä toiminnon käytöstä sulkemisesta.

T9. PÄÄLLÄ/POIS-TOIMINTOINEN ”DAILY AIR SENSE” -TOIMINTAPA

Liesituuletin nostaa imunopeuttaan arvoon 1 automaattisesti, jos liesituulettimen anturi havaitsee ympäristön olosuhteiden vaativan kyseistä säätöä.

Jos imunopeus ei muutu havaittujen ympäristön olosuhteiden mukaisesti, liesituuletin sammuu kahden tunnin kuluttua.

Liesituuletin sammuu joka tapauksessa viiden käyttötunnin jälkeen, toimintatavasta riippumatta.

Huomaa: jotta tätä toimintoa käytettäisiin oikein, **konfiguroi automaattisen toimintatavan parametrit** ensin kyseisessä kappaleessa ilmoitetulla tavalla.

T10. PÄÄLLÄ/POIS-TOIMINTOINEN ”INTENSIVE AIR SENSE” -TOIMINTAPA

Liesituuletin nostaa imunopeuttaan arvoon 5 automaattisesti, jos liesituulettimen anturi havaitsee ympäristön olosuhteiden vaativan kyseistä säätöä.

Jos imunopeus ei muutu havaittujen ympäristön olosuhteiden mukaisesti, liesituuletin sammuu kahden tunnin kuluttua.

Liesituuletin sammuu joka tapauksessa viiden käyttötunnin jälkeen, toimintatavasta riippumatta.

Huomaa: jotta tätä toimintoa käytettäisiin oikein, **konfiguroi automaattisen toimintatavan parametrit** ensin kyseisessä kappaleessa ilmoitetulla tavalla.

PARAMETRIEN KONFIGUROIMINEN AUTOMAATTISTA TOIMINTATAPAA VARTEN

Jotta voisit olla varma siitä, että automaattista tapaa käytetään oikein, on liesituulettimen kalibroitava ja lieden tyyppi on valittava.

Liesituulettimen kalibroiminen

Huomaa: tämä on tehtävä laitteen ollessa odotustilassa, eli yksi minuutti moottorin sammuttamisen jälkeen.

Paina **T4**-painiketta ja pidä sitä painettuna viiden sekunnin ajan.

Imunopeus 1 syttyy ja **T4**-painike vilkkuu ilmaistakseen, että liesituulettimen kalibrointi on alkanut (tähän kuluu noin 15 minuuttia).

Huomaa: Kalibrointiprosessi pysäytetään painamalla **T4**-painiketta ja pitämällä sitä painettuna viiden sekunnin ajan. Kalibrointi keskeytyy tällöin ja se on tästä syystä toistettava.

Huomaa: Kalibrointi suoritetaan automaattisesti kun tuoteeseen kytketään virta ensimmäisen kerran. **T4** vilkkuu. Odota 15 minuuttia, eli kunnes kalibrointi on viety päätökseen.

Liesityypin valitseminen

Huomaa: tämä on tehtävä laitteen ollessa odotustilassa, eli yksi minuutti moottorin sammuttamisen jälkeen.

Paina **T9-** ja **T10-**painikkeita ja pidä niitä painettuina viiden sekunnin ajan.

T9- ja **T10-**painikkeisiin syttyy valo.

Jos kyseessä on kaasuliesi, paina **T9**-painiketta – painike vilkkuu ilmoittaen näin valinnasta.

Jos kyseessä on sähköliesi, paina **T10**-painiketta – painike vilkkuu ilmoittaen näin valinnasta.

Painamisen jälkeen painike vilkkuu kolmen sekunnin ajan ilmoittaen näin valinnan tallentamisesta.

HUOLTO

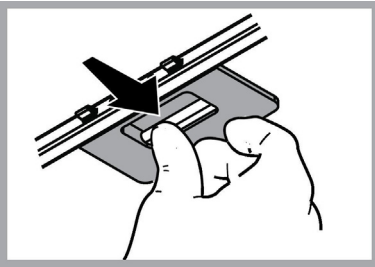
Puhdistus

Puhdistusta varten käytä **YKSINOMAAN** neutraaleihin pesuaineisiin kostutettua liinaa. **ÄLÄ KÄYTÄ PUHDISTUKSESSA TYÖKALUJA TAI VÄLINEITÄ!** Vältä hankaavien tuotteiden käyttöä. **ÄLÄ KÄYTÄ ALKOHOLIA!**

Rasvasuodatin

Se pidättää ruuanlaitosta syntyvät rasvahiukkaset.

Rasvasuodatin on puhdistettava kerran kuukaudessa (tai kun suodattimien kyllästyksen merkkijärjestelmä ilmoittaa puhdistuksen tarpeesta – jos laitteessa on tämä järjestelmä), miedolla pesuaineella, käsin tai astianpesukoneessa alhaisella lämpötilalla ja lyhyellä pesuohjelmalla. Metallinen rasvasuodatin voi haalistua astianpesukoneessa, mutta tämä ei vaikuta sen suodatustehoon millään tavalla. Rasvasuodatin irrotetaan vetämällä jousikahvasta.



Hiilisuodattimen huolto

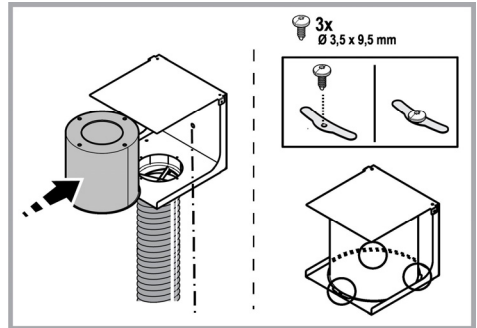
Imee ruuanlaitosta aiheutuvat epämiellyttävät hajut.

Vaikka hiilisuodatin täyttyy vasta verrattain pitkäaikaisen käytön jälkeen, sen täyttymiseen vaikuttavat myös käytetyt ruuanlaitotavat ja rasvasuodattimen puhdistusvälin pituus. Suodatinkasetti on joka tapauksessa vaihdettava viiden vuoden välein. Sitä ei voida pestä tai kierrättää.

Optimaalisen suodatustuloksen varmistamiseksi tämä suodatin on standardisuodatinta isompi ja se asennetaan liesituulettimen yläpuolella sijaitsevaan kannattimeen.

Hiilisuodattimen asennus tai vaihto

1. Irrota liesituuletin sähköverkosta.
 2. Aseta lieriömäinen suodatin kannattimen sisälle.
 3. Kiinnitä suodatin käyttäen laitteen mukana toimitettuja ruuveja ja levyjä.
- Suodattimet irrotetaan toimien päinvastaisessa järjestyksessä.



Lamppujen vaihto

Tuulettimessa on LED teknologiaan perustuva valaistusjärjestelmä.


LED valot takaavat parhaan mahdollisen valaistuksen, lamppujen kesto on 10 kertaa parempi kuin perinteisten lamppujen ja niiden avulla säästetään 90% energiaa.

Jos lamppu on vaihdettava, ota yhteys valtuutettuun huoltoliikkeeseen.

HÄVITTÄMINEN

Tämä laite on valmistettu EU-direktiivin 2012/19/EC, Waste Electrical and Electronic Equipment (WEEE) mukaisesti. Hävittämällä laitteen asianmukaisesti käyttäjä voi ehkäistä mahdolliset ympäristölle ja ihmisten terveydelle haitalliset seuraukset



Tuotteesta tai tuoteasiakirjoista löytyvä merkki  ilmoittaa, että tuotetta ei saa käsitellä talousjätteenä ja että se on toimitettava sähkö- ja elektronisten laitteiden kierrätyspisteeseen. Laite on hävitettävä paikallisten jätteenkäsittelysäännösten mukaisesti. Jos tarvitset lisätietoja laitteen käsittelystä, palautuksesta ja kierrätyksestä, ota yhteys paikalliseen viranomaiseen, jätehuoltoon tai liikkeeseen josta tuote on ostettu.

Laitteisto suunniteltu, testattu ja valmistettu seuraavien standardien mukaisesti:

- Turvallisuus: EN/IEC 60335-1; EN/IEC 60335-2-31, EN/IEC 62233.
- Suorituskyky: EN/IEC 61591; ISO 5167-1; ISO 5167-3; ISO 5168; EN/IEC 60704-1; EN/IEC 60704-2-13; EN/IEC 60704-3; ISO 3741; EN 50564; IEC 62301.
- EMC: EN 55014-1; CISPR 14-1; EN 55014-2; CISPR 14-2; EN/IEC 61000-3-2; EN/IEC 61000-3-3. Suositukset oikeaa käyttöä varten ympäristövaikutusten vähentämiseksi: Kytke liesikupu päälle miniminopeudelle, kun aloitat kypsennyksen, ja pidä sitä päällä muutama minuutti kypsennyksen jälkeen. Nosta nopeutta vain, jos tilassa on runsaasti savua tai höyryä, ja käytä tehostettua/-ja nopeutta/nopeuksia vain erityistarpeessa. Vaihda aktiivihiihiisuodatin/-suodattimet, kun haluat säilyttää hyvän hajujenpoistotehokkuuden. Puhdista rasvasuodatin/-suodattimet, kun haluat säilyttää hyvän rasvasuodatustehokkuuden. Käytä tässä oppaassa annettua kanavointijärjestelmän maksimilämpimittaa tehokkuuden parantamiseksi ja melun vähentämiseksi.

TOIMINTAHÄIRIÖT

Jos liesituuletin ei tunnu toimivan, tarkista seuraavat seikat ennen kuin soitat huoltopalveluun:

- Jos tuuletin ei toimi:
Tarkista että:
 - sähkönsyöttö ei ole katkennut
 - on valittu tietty nopeus
- Jos liesituuletin vetää huonosti:
Tarkista että:
 - Valittu moottorin nopeus on riittävä poistamaan kertyneen savun ja höyryn.
 - Keittiön tuuletus on riittävän hyvä, jotta ilma poistuu ulos.
 - Hiiliisuodatin ei ole kulunut (suodatinversiossa).
- Jos tuuletin on sammunut normaalin toiminnan aikana:
Tarkista että:
 - sähkönsyöttö ei ole katkennut
 - että moninapainen katkaisinlaite ei ole lauennut.

Ennen kuin otat yhteyttä tekniseen tukeen mahdollisten toimintahäiriöiden yhteydessä katkaise laitteesta virta vähintään 5 sekunnin ajaksi vetämällä töpseli irti seinästä ja kytke virta uudestaan päälle. Jos laite ei vielä toimi, ota yhteys tekniseen tukeen

TEKNISET TIEDOT

Korkeus (cm)	Leveys (cm)	Syvyys (cm)	Poistoputken halkaisija (cm)
110-129,5	89,8	32	15

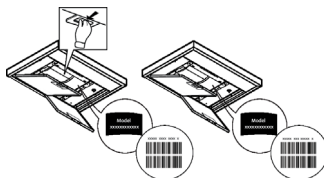


Toimitukseen kuulumattomat osat



Voit ladata itsellesi turvaohjeet, käyttöoppaan, tuoteselosteen ja energiatiedot seuraavalla tavalla:

- Verkkosivustolta docs.whirlpool.eu
- Käyttämällä QR-koodia
- Vaihtoehtoisesti **ottamalla yhteyttä huoltopalveluumme** (katso puhelinnumero takuuvihkosesta). Kun otat yhteyttä huoltopalveluun, ilmoita tuotteen tunnistekilvessä olevat koodit.



ÁLTALÁNOS BIZTONSÁGI ELŐÍRÁSOK

- Bármilyen tisztítási és karbantartási művelet megkezdése előtt, a készüléket le kell választani az elektromos hálózatról! Húzza ki a készülék villásdugóját, vagy áramtalanítsa a háztartási elosztódoboz főkapcsolóját lekapcsolva!
- Minden beszerelési és karbantartási munkálathoz használjon munkavédelmi kesztyűt!
- A készüléket 8 éven felüli gyerekek, valamint a csökkent fizikális, érzékszervi és szellemi képességekkel bíró személyek, illetve azok, akik nem rendelkeznek megfelelő tudással és tapasztalattal, kizárólag megfelelő felügyelet mellett használhatják, illetve abban az esetben, ha megfelelő útmutatást kaptak a készülék biztonságos használatát illetően és megértették a készülék használatával járó veszélyeket!
- Ne engedje, hogy a gyermekek játsszanak a készülékkel!
- A készülék tisztítását és karbantartását gyermekek csak felügyelet mellett végezhetik!
- Az elszívó más, gáz- vagy egyéb tüzelőanyagú készülékkel való egyidejű használata esetén biztosítani kell a helyiség megfelelő szellőzését!
- Az elszívót mind belül, mind kívül (LEGALÁBB HAVONTA EGYSZER) rendszeres gyakorisággal tisztítani kell!
- A kézikönyvben feltüntetett karbantartási utasításokat minden esetben tartsa be!
- Az elszívó tisztítási előírásainak, valamint a szűrők cseréjének és tisztításának figyelmen kívül hagyása tűzveszélyt okoz! Az elszívó alatt szigorúan tilos nyílt lángon készíteni ételt!
- Az izzó cseréjéhez kizárólag az e kézikönyv „karbantartás - izzó cseréje” c. részben megadott típusú izzót használjon!

A nyílt láng használata károsítja a szűrőket és tűzveszélyt okozhat, emiatt minden esetben kerülni kell a nyílt láng használatát!

Ne hagyja őrizetlenül a sütést, mert a túlhevült olaj meggyulladhat!

FIGYELEM! A főzőlap működése közben az elszívó hozzáférhető részei felforrósodhatnak!

- Ne csatlakoztassa a készüléket az elektromos hálózatra, amíg a beszerelést teljesen el nem végezte!
- A füstelvezetéshez szükséges műszaki és biztonsági intézkedéseket illetően, az illetékes helyi hatóságok vonatkozó rendeleteit szigorúan tartsa be!
- A keringetett levegőt nem szabad a gáz- vagy egyéb égéstermék üzemű készülékek füstjének elvezetéséhez használt csőben szállítani!
- Ne használja az elszívót helytelenül felszerelt lámpával, illetve ne hagyja azt lámpa nélkül, mert áramütést okozhat!
- Soha ne használja az elszívót felszerelt rostély nélkül!
- Az elszívót SOHA ne használja tárolófelületként, hacsak az ilyen célra való használata nincs egyértelműen jelezve!
- Beszereléshez kizárólag a készülékhez mellékelt csavarokat használja! Amennyiben a csavar nem része a csomagnak, ügyeljen a megfelelő típusú csavarok beszerezésére!
- A beszerelési útmutatóban feltüntetett, megfelelő hosszúságú csavarokat használjon!
- Kétség esetén kérjen tájékoztatást a szakszerviztől, vagy hasonló képesítésű személyzettől!

▲ FIGYELEM!

- A csavarok és rögzítő elemeknek nem az útmutató szerinti felhelyezése áramütés-veszélyt okozhat!
- Ne használja programozóval, időzítővel, különálló távirányítóval vagy bármilyen más olyan eszközzel, amelyek automatikusan kapcsol be.

A 3 évesnél fiatalabb gyermekeket tartsa távol a készüléktől. Felnőtt állandó felügyelete nélkül a készüléket 8 évesnél fiatalabb gyermekektől tartsa távol.

▲ FIGYELEM: a készüléket ne üzemeltesse külső eszközzel vagy külön távirányítóval.

▲ Ez a készülék nem professzionális használatra készült. Ne használja a készüléket a szabadban.

▲ A személyi sérülés elkerülése érdekében a készüléket két vagy több embernek kell mozgatnia és telepítenie.

▲ A telepítést, beleértve a vízellátó csatlakozásokat (ha vannak) és az elektromos csatlakozásokat, valamint a javítási műveleteket, szakképzett személyzetnek kell elvégeznie.

A telepítés befejezése után tartsa a csomagolóanyagot (műanyag részeket, polisztirolt stb.) gyermekektől távol, hogy elkerülje a fulladást. .

Ne használja a készüléket vizes testrészekkel vagy mezítábl.

Soha ne használjon gőztisztító berendezéseket - áramütés veszélye.

A csomagolóanyag 100% -ban újrahasznosítható és újrahasznosítási szimbólummal van ellátva



Az elszívó esztétikai megjelenésében eltérhet a jelen kézikönyv ábráin szereplőtől, de a használati, karbantartási és felszerelési utasítások nem változnak.

Ezen kézikönyv utasításait szigorúan be kell tartani. Az itt feltüntetett utasítások be nem tartásából származó bármilyen hiba, kár vagy tüzesettel kapcsolatban a gyártó felelősséget nem vállal. A páraelszívó a főzési pára és füst elszívására szolgál, kizárólag háztartási használatra.

- Fontos, hogy ezt a kézikönyvet megőrizze, hogy bármikor tájékozódhasson belőle. Eladás, átadás vagy költözés esetén gondoskodjon arról, hogy a kézikönyv a terméket kíséresse.
- Az útmutatásokat figyelmesen olvassa el: fontos tájékoztatások találhatók köztük a telepítésre, a használatra és a biztonságra vonatkozóan.
- Ne módosítsa a termék elektromos vagy mechanikai rendszerét, vagy a kivezető csöveket.
- A berendezés beszerelésének megkezdése előtt győződjön meg róla, hogy minden alkatrész sérülésmentes-e. Ellenkező esetben forduljon a viszonteladóhoz és ne szerelje fel a berendezést.

A főzőkészülék felülete és a konyhai szagelszívó legalsó része közötti minimális távolság nem lehet kisebb, mint 50cm elektromos főzőlap, és 65cm gáz vagy vegyes tüzelésű főzőlap esetén.

Ha a gázfőzőlap beszerelési utasításában ennél nagyobb távolság szerepel, azt kellfigyelembe venni.

ELEKTROMOS CSATLAKOZÁS

A hálózati feszültségnek azonosnak kell lennie a konyhai páraelszívó belsejében elhelyezett műszaki adattáblán feltüntetett feszültséggel. Ha az elszívó rendelkezik villásdugóval, csatlakoztassa egy hozzáférhető helyen elhelyezett, az érvényben lévő szabványoknak megfelelő dugaszoló aljzathoz, akár a beszerelést követően is. Ha nem rendelkezik csatlakozódugóval (közvetlen csatlakozás a hálózathoz) vagy a dugaszoló aljzat nem hozzáférhető, szereljen fel egy szabványos, kétpólusú megszakítót akár a beszerelést követően is, amely III. túláram-kategória esetén biztosítja a hálózatról való teljes leválasztását, a telepítési szabályoknak megfelelően.

▲ FIGYELEM!


Mielőtt az elszívó áramkörét visszaköti a hálózatba és ellenőrzi, hogy az elszívó helyesen működik-e, mindig ellenőrizze azt is, hogy a hálózati vezeték beszerelése szabályos-e.

Ha a kábel nem rendelkezik csatlakozódugóval, csatlakoztassa a vezetékeket az alábbi táblázat szerint:

Hálózati feszültség és frekvencia

Lásd a páraelszívó belsejében található, a jellemzőket felsoroló címkén feltüntetett értéket.

Vezetékek

 : sárga/zöld

N : kék

L : barna

Elektromos vezeték cseréje

Az elszívó speciális kábellel rendelkezik, melynek sérülése esetén cseréjét kérje a szakszerviz szolgáltatótól.

LÉGKIVEZETÉS

KERINGETETT VAGY KIVEZETETT ?

! A páraelszívót úgy tervezték, hogy csak szűrő változatban használható

A szűrőrendszer nagy teljesítményű aktív szénszűrőt tartalmaz

Megjegyzés: műszaki tulajdonságai miatt nem lehetséges a páraelszívót szívó változatban használni

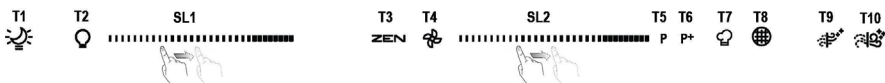
Fontos! A telepítéshez rugalmas cső használata szükséges

Keringetett verzió

Az elszívott levegő zsirtalanításra, majd szagtalanításra kerül, mielőtt a terembe visszaáramoltatásra kerülne. Az elszívó ilyen üzemmódban való használatához szükséges további, aktív szén alapú szűrőrendszer installálása.

VEZÉRLŐGOMBOK

Az elszívó szíváserősség-szabályozóval és főzőlapvilágítás-kapcsolóval ellátott kezelőpanellel rendelkezik.



T1. „Éjszakai fény” BE/KI

T2. Főzőlap világítása BE/KI – Színhőmérséklet kiválasztása

T3. „ZEN üzemmód”

T4. Motor BE/KI

T5. „NAGY TELJESÍTMÉNY 1” funkció

T6. „NAGY TELJESÍTMÉNY 2” funkció

T7. „Cook Sense” automatikus üzemmód

T8. Szűrő telítettségének jelzője

T9. „Daily Air Sense” üzemmód BE / KI

T10. „Intensive Air Sense” üzemmód BE / KI

T1. „ÉJSZAKAI FÉNY” BE/KI

Nyomja meg a halvány háttérvilágítás be- és kikapcsolásához.

T2. FŐZŐLAP VILÁGÍTÁSA BE/KI – SZÍNHŐMÉRSÉKLET KIVÁLASZTÁSA

Nyomja meg a főzőlap világításának be- és kikapcsolásához.

• Bekapcsolt világításnál húzza az ujját jobbra vagy balra az **SL1** LED-szalagon a fényerősség növeléséhez vagy csökkentéséhez.

A fény színhőmérsékletének beállítása

• Nyomja meg (hosszan) ismét,

és húzza az ujját jobbra vagy balra az **SL1** LED-szalagon a hidegebb vagy melegebb fényerősség beállításához.

Ha öt másodpercig nem módosítja a szintet, az **SL1** villogni kezd a kiválasztott színnél, és hangjelzés hallatszik – ez jelzi, hogy a rendszer mentette a beállítást.

Ne feledje: Bekapcsoláskor a világítás a készülék utolsó kikapcsolásakor érvényes fényerősséget használja.

T3. „ZEN ÜZEMMÓD”

Nyomja meg a „ZEN” **elszívás** üzemmód be- és kikapcsolásához.

Ezzel a funkcióval olyan elszívási fokozat állítható be, amely biztosítja a tökéletes egyensúlyt a halk működés és a hatékony elszívás között.

T4. MOTOR BE/KI

Nyomja meg az **elszívómotor** be- vagy kikapcsolásához.

• Bekapcsolt motornál húzza az ujját jobbra vagy balra az **SL2** LEDszalagon az elszívási sebesség növeléséhez vagy csökkentéséhez.

T5. „NAGY TELJESÍTMÉNY 1” FUNKCIÓ

Kapcsolja be az elszívómotort, majd nyomja meg a T5 gombot a „NAGY TELJESÍTMÉNY 1” **intenzív elszívás** sebesség

bekapcsolásához (ez a funkció idővezérelt).

Ne feledje: Az elszívó öt perc után visszakapcsol az előzőleg használt sebességre.

T6. „NAGY TELJESÍTMÉNY 2” FUNKCIÓ

Kapcsolja be az elszívómotort, majd nyomja meg a T6 gombot a „NAGY TELJESÍTMÉNY 2” intenzív elszívás sebesség bekapcsolásához (ez a funkció idővezérelt).

Ne feledje: Az elszívó öt perc után visszakapcsol az előzőleg használt sebességre.

T7. „COOK SENSE” AUTOMATIKUS ÜZEMMÓD

Az elszívó automatikusan növeli az elszívási sebességet, és az 1.

fokozatra kapcsol, ha a környezeti feltételeket figyelő beépített érzékelő mérése alapján ez szükséges.

Ha a környezeti feltételek nem változnak, és az elszívó már az 1.

elszívási fokozaton működik, a készülék öt perc elteltével kikapcsol. Ne feledje: A funkció megfelelő működéséhez először **állítsa be az automatikus üzemmód paramétereit** a vonatkozó rész alapján.

Ne feledje: Ha bekapcsolt automatikus üzemmód mellett egyéb funkciókat módosít, amelyek hatással vannak a sebességre, a „Cook Sense” funkció kikapcsol.

T8. SZŰRŐ TELÍTETTSÉGÉNEK JELZŐI

Az elszívó rendszeres időközönként jelzi, hogy a szűrő karbantartása szükséges.

Ne feledje: A jelzőfények csak bekapcsolt elszívónál működnek.

A **T8** gomb világít: Végezze el a zsírszűrő karbantartását.

A **T8** gomb villog: Végezze el a szénszűrő karbantartását.

A szűrő telítettségjelzőjének nullázása:

Ne feledje: Ehhez a művelethez be kell kapcsolni az elszívót.

Nyomja meg és tartsa lenyomva a **T8** gombot.

A szénszűrő telítettségjelzőjének bekapcsolása

Ne feledje: Ehhez a művelethez ki kell kapcsolni az elszívómotort.

Ez a jelzőfény általában ki van kapcsolva – a funkció bekapcsolásához nyomja meg egyszerre és tartsa lenyomva a **T3** és **T10** gombot:

A funkció bekapcsolását a gombok kigyulladásja jelzi.

A funkció kikapcsolásához ismét nyomja meg és tartsa lenyomva a gombokat (**T3** és **T10**): A gombok röviden felvillannak, majd kialszanak.

Ekkor a funkció kikapcsol.

T9. „DAILY AIR SENSE” ÜZEMMÓD BE / KI

Az elszívó automatikusan növeli az elszívási sebességet, és az 1.

fokozatra kapcsol, ha a környezeti feltételeket figyelő beépített érzékelő mérése alapján ez szükséges.

Ha az elszívási sebesség az érzékelt környezeti feltételek miatt nem változik, az elszívó két óra elteltével kikapcsol.

Öt óra folyamatos használat után az elszívó kikapcsol az üzemmódtól függetlenül.

Ne feledje: A funkció megfelelő működéséhez először **állítsa be az automatikus üzemmód paramétereit** a vonatkozó rész alapján.

T10. „INTENSIVE AIR SENSE” ÜZEMMÓD BE / KI

Az elszívó automatikusan növeli az elszívási sebességet, és az 5.

fokozatra kapcsol, ha a környezeti feltételeket figyelő beépített érzékelő mérése alapján ez szükséges.

Ha az elszívási sebesség az érzékelt környezeti feltételek miatt nem változik, az elszívó két óra elteltével kikapcsol.

Öt óra folyamatos használat után az elszívó kikapcsol az üzemmódtól függetlenül.

Ne feledje: A funkció megfelelő működéséhez először **állítsa be az automatikus üzemmód paramétereit** a vonatkozó rész alapján.

AZ AUTOMATIKUS ÜZEMMÓD PARAMÉTEREINEK BEÁLLÍTÁSA

Az automatikus üzemmód megfelelő használatához kalibrálni kell az elszívót, és meg kell adni a főzőlap típusát.

Az elszívó kalibrálása

Ne feledje: Ehhez a művelethez a készüléknek készenléti állapotban kell lennie (ez a motor kikapcsolása után egy perccel kapcsol be).

Nyomja meg és tartsa lenyomva öt másodpercig a **T4** gombot.

Bekapcsol az 1. elszívási fokozat, és a **T4** gomb villog: ez jelzi, hogy megkezdődött az elszívó kalibrálása (a művelet körülbelül 15 percet vesz igénybe).

Ne feledje: A kalibrálási folyamat leállításához nyomja meg és tartsa lenyomva öt másodpercig a **T4** gombot. Ekkor a kalibrálás megszakad, így később meg kell ismételn.

Ne feledje: A kalibrálás automatikusan elindul, amikor a készüléket először csatlakoztatja az áramforráshoz. A **T4** villog. Várjon 15 percet, amíg a kalibrálás befejeződik.

A főzőlap típusának kiválasztása

Ne feledje: Ehhez a művelethez a készüléknek készenléti állapotban kell lennie (ez a motor kikapcsolása után egy perccel kapcsol be).

Nyomja meg és tartsa lenyomva öt másodpercig a **T9** és **T10** gombokat.

Kigyullad a **T9** és a **T10** gomb.

Gázüzemű főzőlap esetén nyomja meg a **T9** gombot – a kiválasztást a gomb villogása jelzi.

Elektromos főzőlap esetén nyomja meg a **T10** gombot – a kiválasztást a gomb villogása jelzi.

A gomb a megnyomása után három másodpercig villog – ez a beállítás mentését jelzi.

KARBANTARTÁS

Tisztítás

A tisztításhoz **KIZÁRÓLAG** semleges folyékony mosószerrel átitatott nedves ruhát használjon. **A TISZTÍTÁSHOZ NINCS SZÜKSÉG SEMMILYEN ESZKÖZRE.** Kerülje a súrolószert tartalmazó mosószeresek használatát. **NE HASZNÁLJON ALKOHOLT!**

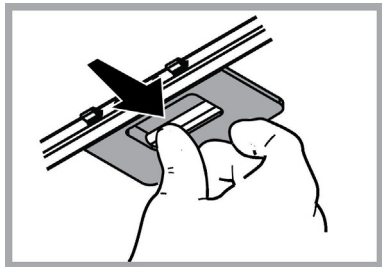
Zsírszűrők karbantartása

Visszatartja a főzésből eredő zsírrészecskéket.

Havonta egyszer (vagy amikor a filter telítődésjelző rendszere - ha a megvásárolt modell rendelkezik ilyenrel - jelzi, hogy szükség van rá) nem agresszív tisztítószerekkel, kézzel vagy mosogatógépben, alacsony hőfokon és rövid ciklussal el kell mosogatni.

Mosogatógépben történő mosogatás a zsírszűrő elszíneződését okozhatja, de ez nem változtat hatékonyságán.

A zsírszűrő filter leszereléséhez húzza meg a rugós horgot.



Szénfilter karbantartása

Magában tartja a főzésből származó kellemetlen szagokat.

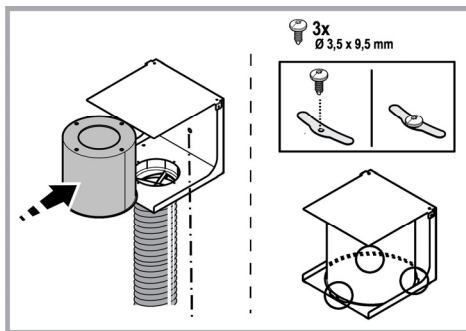
A széniszűrő viszonylag hosszú használati idő után tömődik el. Ez azonban függ a főzési szokásoktól és a zsírszűrő tisztításának rendszerességétől. A szűrőbetétet legalább ötévente mindenképpen cserélni kell. Mosása vagy újrafelhasználása **TILOS**.

Az optimális szűrési teljesítmény érdekében a szűrő a hagyományos méretnél nagyobb, és az elszívó felett lévő tartóelemre van szerelve.

A széniszűrő behelyezése és cseréje

1. Válassza le az elszívót az elektromos hálózatról.
2. Helyezze be a henger alakú szűrőt a tartóelembe.
3. Rögzítse a szűrőt a készülékhez mellékelt csavarokkal és alátétekkel.

A kiszereléshez a fenti lépéseket fordított sorrendben kell elvégezni.



Izzók cseréje

Az elszívó LED technológiára épülő világítási rendszerrel van felszerelve.

A LEDEK optimális megvilágítást biztosítanak, a hagyományos lámpák élettartamánál 10-szer nagyobb élettartammal rendelkeznek, mindemellett 90%-os elektromos energia megtakarítást tesznek lehetővé.

Az izzó cseréjéhez vegye fel a kapcsolatot a hivatalos alkatrész kereskedőkkel!

HULLADÉK KEZELÉS

A készüléken található jelzés megfelel az elektromos és elektronikus berendezések hulladékairól szóló 2012/19/EC európai irányelvben (WEEE) foglalt előírásoknak.

A hulladékká vált termék szabályszerű elhelyezésével Ön segít elkerülni a környezettel és az emberi egészséggel kapcsolatos azonos esetleges negatív következményeket, amelyeket a termék nem megfelelő hulladékkezelése egyébként okozhatna.

A terméken vagy a termékhez mellékelte dokumentumokon feltüntetett



■ jelzés arra utal, hogy ez a termék nem kezelhető háztartási hulladékként. Ehelyett a terméket a villamos és elektronikus berendezések újrahasznosítását végző telephelyek valamelyikén kell leadni.

Kiselejtezőskor a hulladékeltávolításra vonatkozó helyi környezetvédelmi előírások szerint kell eljárni.

A termék kezelésével, hasznosításával és újrahasznosításával kapcsolatos bővebb tájékoztatásért forduljon a lakóhelye szerinti polgármesteri hivatalhoz, a háztartási hulladékok kezelését végző társasághoz vagy ahhoz a boltához, ahol a terméket vásárolta.

A berendezést a következő szabványoknak megfelelően tervezték, gyártották, és ellenőrizték:

- Biztonság: EN/IEC 60335-1; EN/IEC 60335-2-31, EN/IEC 62233.
- Teljesítmény: EN/IEC 61591; ISO 5167-1; ISO 5167-3; ISO 5168; EN/IEC 60704-1; EN/IEC 60704-2-13; EN/IEC 60704-3; ISO 3741; EN 50564; IEC 62301.
- Elektromágneses összeférhetőség EMC: EN 55014-1; CISPR 14-1; EN 55014-2; CISPR 14-2; EN/IEC 61000-3-2; EN/IEC 61000-3-3.

A megfelelő használatot és a környezetre gyakorolt káros hatás mérséklését elősegítő javaslatok: Az elszívót a minimum sebességen kapcsolja be akkor, amikor a főzést megkezdji, és hagyja néhány percig üzemelni még azt követően is, hogy a főzést befejezte. A berendezést csak akkor kapcsolja nagyobb sebességfokozatra, ha a főzés közben nagy mennyiségű füst vagy gőz keletkezik, és csak akkor használja az intenzív sebességet, ha arra ténylegesen szükség van. Cserélje ki a szénszűrőket akkor, amikor a berendezés jelzi ennek szükségességét, így biztosíthatja, hogy a készülék hatékonyan nyeli el a szagokat. A megfelelő szűrőképesség biztosítása érdekében cserélje ki a zsírszűrőt akkor, amikor a berendezés erre figyelmeztet. A hatékonyság növelése és a zajszint csökkentése érdekében tanácsos a jelen útmutató által megadott maximális csőátmérőket alkalmazni.

MŰKÖDÉSI HIBÁK

Amennyiben úgy tapasztalja, hogy valami nem működik, mielőtt a Szervíz szolgálatához fordulna, próbálja elvégezni az alábbi egyszerű ellenőrzéseket:

- Ha az elszívó nem működik
Ellenőrizze, hogy:
 - nincs-e áramkimaradás.
 - be van-e állítva a sebesség.
- Ha az elszívó alacsony teljesítményű
Ellenőrizze, hogy:
 - A kiválasztott motorsebesség megfelelő-e a keletkezett füst- és gőz elvezetésére
 - A konyha megfelelően szellőzőt-e a működéshez szükséges levegő biztosításához.
 - A szénfilter nem használódott-e el (kivezetett verziójú páraelszívó).
- Ha az elszívó normál működés közben állt le:
Ellenőrizze, hogy:
 - nincs-e áramkimaradás.
 - a biztosíték nem kapcsolódott-e le.

Az esetleges működési hibák esetén, mielőtt a szakszervízhez fordulna, húzza ki a készülék villásdugóját az elektromos hálózathoz legalább 5 másodpercre, majd próbálja újra áram alá helyezni. Amennyiben a hiba továbbra is fennáll, forduljon a szakszervízhez.

MŰSZAKI ADATOK

Magasság (cm)	Szélesség (cm)	Mélység (cm)	Kivezetőcső átmérője (cm)
110-129,5	89,8	32	15

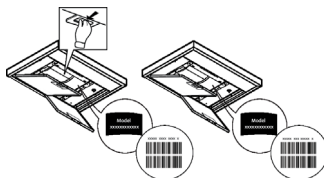


Készletben nem mellékelt termékek



A Biztonsági útmutatót, a Használati útmutatót, a termékspecifikációt és az energiafogyasztási adatokat letöltheti:

- a docs.whirlpool.eu honlapról
- a QR-kód segítségével
- Vagy **vegye fel a kapcsolatot a vevőszolgálattal** (a telefonszámot lásd a garanciafüzetben). Amikor a vevőszolgálatot hívja, kérjük, hogy készítse elő a termék azonosító lemezén látható adatokat.



ЖАЛПЫ ҚАУІПСІЗДІК

- Кез келген тазалау немесе техникалық қызмет көрсету жұмыстарын орындамас бұрын ашаны шығару немесе желілік қуат көзін ажырату арқылы сорғышты электр желісінен ажыратыңыз.

- Орнату және техникалық қызмет көрсету жұмыстарын жүргізген кезде әрдайым жұмыс қолғабын киіңіз.

- Бұл құрылғыны 8 жастағы және одан үлкен балалар, дене, сезу немесе ақыл-ой қабілеттері шектеулі тұлғалар немесе тәжірибесі мен білімі жоқ тұлғалар оны қауіпсіз жолмен пайдалануға қатысты нұсқау алып, ықтимал қауіптерді ұғынған жағдайда және бақылауда болғанда пайдалана алады.

Балалардың басқару элементтерін өзгертуіне және құрылғымен ойнауына жол бермеу керек.

- Тазалау және өз бетінше техникалық қызмет көрсету жұмыстарын балалардың бақылаусыз жүргізуіне болмайды.

- Асүй сорғышы басқа газ жағу құрылғыларымен немесе басқа отындармен пайдаланылған кезде, құрылғы орнатылған бөлме жеткілікті түрде желдетілуі қажет.

- Сорғышты ішінен де, сыртынан да жүйелі түрде (КЕМ ДЕГЕНДЕ АЙЫНА БІР РЕТ) тазалау керек, әрдайым техникалық қызмет көрсету нұсқаулығында берілген нұсқауларды орындаңыз.

- Сорғыштың тазалау стандарттарын және сүзгілерді алмастыру және тазалау бойынша ережелерді

- ұстанбау нәтижесінде өрт туындауы мүмкін. Тамақты тікелей сорғыш астында жандыруға қатаң тыйым салынады.

- Шамды ауыстыру үшін тек осы нұсқаулықтың «Техникалық қызмет көрсету/Шамдарды ауыстыру» бөлімінде көрсетілген шам түрін пайдаланыңыз.

Ашық жалынды пайдалану сүзгілер үшін зиян және өрт қаупін туындатуы мүмкін, сондықтан оған ешқашан жол бермеу керек.

Майдың шамадан тыс қызып немесе жанып кетпеуін қамтамасыз ету үшін, тамақты абайлап қуыру қажет.

САҚ БОЛЫҢЫЗ: Сорғыштың қолжетімді бөліктері тамақ дайындау құрылғылары пайдаланылған кезде қызып кетуі мүмкін.

- Орнату толық аяқталмайынша құрылғыны электр желісіне қоспаңыз.

- Будың шығуына қарсы қолданылатын техникалық және қауіпсіздік шараларын ескере отырып, жергілікті билік органдары бекіткен ережелерді мұқият орындау маңызды.

- Осы құрылғының түтік арқылы бағыттау жүйесін газ немесе басқа отынды жағатын құрылғылардан шыққан буларды шығару сияқты басқа да мақсаттарда пайдаланылатын кез келген қолданыстағы желдету жүйесіне жалғау қажет. Электр тогының соғу қаупіне байланысты шамы дұрыс бекітілмеген сорғышты пайдаланбаңыз және қалдырмаңыз.

- Торлары тиісті түрде бекітілмеген сорғышты ешқашан пайдаланбаңыз.
- Арнайы көрсетілмейінше, сорғышты ЕШҚАШАН тірек беті ретінде пайдаланбаңыз.
- Тек орнату үшін өніммен бірге берілген бекіту бұрандаларын пайдаланыңыз, егер берілмесе, бұранданың тиісті түрін сатып алыңыз.
- Бұрандалардың орнату нұсқаулығында көрсетілген дұрыс ұзындығын пайдаланыңыз.
- Күмәндансаңыз, өкілетті қызмет көрсету бойынша жәрдем көрсету орталығына немесе тиісті маманданған тұлғаға хабарласыңыз.

▲ ЕСКЕРТУ!

- Бұрандаларды немесе бекіту құрылғысын осы нұсқауларға сәйкес орнатпау электрлік қауіптерге әкелуі мүмкін.
- Бағдарламалаушымен, таймермен, бөлек қашықтан басқару жүйесімен немесе автоматты түрде қосылатын кез келген басқа құрылғымен қолданбаңыз.

Өте жас балалар (0-3 жастағы) құрылғыға жақындамауы тиіс. Жас балалар (3-8 жастағы) үздіксіз бақылаусыз құрылғыдан аулақ болуы тиіс.

▲ АБАЙЛАҢЫЗ: бұл құрылғы таймер немесе бөлек қашықтан басқару жүйесі сияқты сыртқы қосу-өшіру құрылғысымен пайдалануға арналмаған.

▲ Бұл құрылғы кәсіби қолданысқа арналмаған. Бұл құрылғыны сыртта пайдаланбаңыз.

▲ Құрылғыны екі немесе одан көп адам ұстауы және орнатуы керек, әйтпесе жарақат алу қаупі болады.

▲ Орнатуды, сонымен қатар су беру желісін (егер болса), электрлік желілерді жалғауды және жөндеу жұмыстарын білікті маман орындауы тиіс.

Орнатылған соң, қаптамадан қалған қоқыстарды (пластик, пенопласт бөлшектер және т.б.) балалардың қолы жетпейтін жерде сақталуы тиіс, әйтпесе жұтып қою қаупі туындайды.

Егер ылғалды немесе жалаң аяқ болсаңыз, бұл құрылғыны пайдаланбаңыз.

Бумен тазалау құрылғыларын ешқашан пайдаланбаңыз, әйтпесе электр тогына түсу қаупі болады.

Қаптама 100% қайта өңдеуге болатын материалдан тұрады және ол қайта өңдеуге жіберу таңбасымен



белгіленген

Қақпақ осы кітапшада көрсетілген суреттерден өзгеше болып көрінуі мүмкін. Дегенмен, қолдану, техникалық қызмет көрсету және орнату нұсқаулары бірдей болады.

Дайындаушы аспапты пайдалану барысында бұл нұсқауда белгіленген қолдану шарттарын сақтамағанның кесірінен болған олқылық өрт пен зақым үшін жауап бермейді. Сорғыш тек қана үйде пайдалануға болатындай етіп жобаланған.

- Кезкелген уақытта бұл нұсқаумен пайдалану үшін ақтаған маңызды. Бұйым сатылған, тапсырған немесе жойылған кезде ол онымен бірге қалғанына көз жеткізіңіз.
- Нұсқауды мұқият оқыңыз: онда бұйымды қондыру, пайдалану және қауыпсіздік жөнінде маңызды мәлімет бар.
- Бұйымның электрондық немесе механикалық конструкциясында немесе сорғыш вентиляциялық каналдарында ешқандай да өзгерістер жасамаңыз.
- Орнатуды орындамас бұрын берілген барлық құрамдастардың зақымдалмағанын тексеріңіз немесе орнатуды жалғастырмас бұрын делдалға хабарласыңыз.

Сорғыштың төменгі қыры мен ыдыс астындағы тіреуіш жазықтығының ара қашықтығы электр плитасы үшін 50см, ал газ немесе біріктірілген плиталар үшін 65см ден кем болмауы тиіс.

Егер нұсқауда газ плитасын орнатуға артығырақ ара қашықтық белгіленген болса, оны ескеріңіз.

ЭЛЕКТР БАЙЛАНЫСЫ

Желінің кернеуі аспаптың ішінде орналасқан тақтайшада белгіленген техникалық деректердей кернеуге сәйкес келуі керек. Егер сорғыш вилкамен жабдықталған болса, орнатылғаннан кейін де істеуге болатын, қол жетерлік жерде болуы тиіс, істеп тұрған ережелерге сәйкес алмалы-салмалы штепсельге сорғышты қосыңыз. Егер сорғыш вилкамен жабдықталмаған болса (желіге тура қосылу),

немесе алмалы-салмалы штепсель орнатылғаннан кейін де қол жетерлік жерде болмаса, онда орнату нұсқауына сәйкес 3-дәрежедегі асқын кернеуді болдырмайтын және желінің толық ашылуын қамтамасыз ететін тиісті екіполюстік ажыратқышты пайдаланыңыз.

▲ ЕСКЕРТУ!

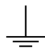
қорек желісіне сорғыштың электрлік жүйесін қосу алдында қорек кабелі дұрыс монтаждалғанына көз жеткізіңіз.

Егер кабель ашамен бірге берілмесе, сымдарды мына кестеге сай жалғаңыз:

Электр кернеуі және жиілігі

Түтін тартқыштың ішіндегі тақтайда көрсетілген кернеуді қараңыз.

Сым жалғау

 : сары/жасыл
N : көк (бейтарап)
L : қоңыр (фаза)

Қуат кабелін ауыстыру

Суыру қалпағы арнайы нәр беруші сымжелеімен жабдықталған. Сымжелеі бұзылған жағдайда оны ауыстыру үшін тиісті қызмет көрсету орталықтарына барыңыз.

АУА ТАРТУ САҢЫЛАУЫ

СҮЗГІЛЕУ НЕМЕСЕ ТҮТІК АРҚЫЛЫ БАҒЫТТАУ?

Сіздің ас үй сорғышыңыз тек сүзу нұсқасында пайдаланылу үшін әзірленген Ол үшін бір көмір сүгісі қажет, оны әдеттегі сатушылардан алуға болады.

Сүзу жүйесі жоғары өнімділікті белсенді көмір сүзгісін ұсынады

Ескертпе: техникалық сипаттамаларына байланысты, сорғышты шығару режимінде пайдалану мүмкін емес

Маңызды! Орнатуды жалғастыру үшін, икемді түрдегі түтікті пайдалану қажет болады

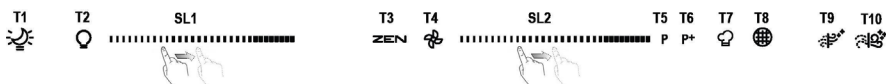
Сүзгі нұсқасы

Ол үшін бір көмір сүгісі қажет, оны әдеттегі сатушылардан алуға болады.

Сүзгі шығарылған ауаны жоғарғы шығыс торы арқылы бөлмеге қайта жіберу алдыда оны май мен иістерден тазартады.

БАСҚАРУ ЭЛЕМЕНТТЕРІ

Суыру желдеткішінің жылдамдығын бақылау үшін және плитаның үстіне жарық түсіру үшін, суыру қалпағы басқару қалқанымен жабдықталған.



T1. ON/OFF "Night Light" ("Түнгі жарық" ҚОСУ/ӨШІРУ)

T2. Hob lights ON/OFF – Select the colour temperature (Плита шамдарын ҚОСУ/ ӨШІРУ - температура түсін таңдау)

T3. Operation "ZEN Mode" ("ZEN режимі" операциясы)

T4. Мотор ҚОСУ/ӨШІРУ

T5. "POWER BOOST 1" function ("ҚУАТ КҮШЕЙТКІШ 1" функциясы)

T6. "POWER BOOST 2" function ("ҚУАТ КҮШЕЙТКІШ 2" функциясы)

T7. Automatic Mode "Cook Sense" ("Sense пісіру" автоматты режимі)

T8. Сүзгінің қанығу көрсеткіші

T9. ON/OFF operating mode "Daily Air Sense" ("Sense Күнделікті аяу" жұмыс режимін ҚОСУ/ӨШІРУ)

T10. ON/OFF operating mode "Intensive Air Sense" ("Sense Қарқынды аяу" жұмыс режимін ҚОСУ/ӨШІРУ)

T1. ON/OFF “NIGHT LIGHT” (“ТҮНГІ ЖАРЫҚ” ҚОСУ/ӨШІРУ)

Жұмсақ фон жарығын қосу немесе өшіру үшін басыңыз.

T2. HOB LIGHTS ON/OFF – SELECT THE COLOUR TEMPERATURE (ПЛИТА ШАМДАРЫН ҚОСУ/ӨШІРУ - ТЕМПЕРАТУРА ТҮСІН ТАҢДАУ)

Плитаның жарығын қосу немесе өшіру үшін басыңыз.

• Шамдар жанып тұрғанда, жарықтың жану қарқындылығын арттыру немесе азайту үшін, **SL1** жарықдиодты жолағының бойымен оңға немесе солға қарай саусағыңызбен сырғытыңыз.

Жарықтандыру температурасының түсін орнату үшін

• Жарықты ашығырақ етіп немесе көлеңкелеп қою үшін,

• **SL1** жарықдиодты жолағының бойымен оңға және солға қарай саусағыңызбен сырғытыңыз.

Егер де жарықтың түсін бес секунд ішінде өзгертпесеңіз, **SL1** сіз таңдаған жарық параметрімен жыпылықтай бастайды да, жүйенің осы конфигурацияны сақтап қалғандығын білдіретін дыбыстық белгі беріледі.

Назар аударыңыз: Жарық, құрылғыны өшіргенге дейін өзіңіз орнатқан соңғы жарық қарқындылығына сәйкес қосылады.

T3. OPERATION “ZEN MODE” (“ZEN РЕЖИМІ” ОПЕРАЦИЯСЫ)

“ZEN” ауа сору режимін іске қосу үшін немесе сөндіру үшін басыңыз.

Бұл функция ауа сору жылдамдығын тыныштық күйі мен ауа сору тиімділігі арасындағы мінсіз үйлесімділікті сақтай отырып іске қосуға мүмкіндік береді.

T4. МОТОР ҚОСУ/ӨШІРУ

Ауа сору қозғалтқышын қосу немесе өшіру үшін басыңыз.

• Қозғалтқыш қосулы күйде, ауа сору жылдамдығын арттыру немесе азайту үшін, **SL2** жарықдиодты жолақтың бойымен оңғы және солға саусағыңызбен сырғытыңыз.

T5. “POWER BOOST 1” FUNCTION (“ҚҰАТ КҮШЕЙТКІШ 1” ФУНКЦИЯСЫ)

Ауа сору қозғалтқышы қосулы тұрғанда, “**POWER BOOST 1**” intensive extraction (“**ҚҰАТ КҮШЕЙТКІШ 2**” қарқынды ауа сору) жылдамдығын іске қосу үшін, T5 басыңыз (уақытпен реттеледі).

Назар аударыңыз: бес минуттан соң сорғы қайтадан бұрын пайдаланылған жылдамдықпен жұмыс істей бастайды.

T6. “POWER BOOST 2” FUNCTION (“ҚҰАТ КҮШЕЙТКІШ 2” ФУНКЦИЯСЫ)

Ауа сору қозғалтқышы қосулы тұрғанда, “**POWER BOOST 2**” intensive extraction (“**ҚҰАТ КҮШЕЙТКІШ 2**” қарқынды ауа сору) жылдамдығын іске қосу үшін, T6 басыңыз (уақытпен реттеледі).

Назар аударыңыз: бес минуттан соң сорғы қайтадан бұрын пайдаланылған жылдамдықпен жұмыс істей бастайды.

T7. AUTOMATIC MODE “COOK SENSE” (“SENSE ПІСІРУ” АВТОМАТТЫ РЕЖИМІ)

Егер сорғы ішіндегі датчик қоршаған орта жағдайына қарай ауа сору жылдамдығын арттыру қажеттігін анықтаса, сорғы ауа сору жылдамдығын автоматты түрде 1-ге арттырады.

Егер де қоршаған орта жағдайлары өзгермей, сорғы 1-ші ауа сору жылдамдығын қолданса, сорғы бес минуттан соң өшіп қалады.

Назар аударыңыз: аталған функция дұрыс қолданылуы үшін, алдымен тиісті тарауда сипатталғандай, **автоматты режим параметрлерін орнатыңыз.**

Назар аударыңыз: автоматты режимді қолданғанда, сіз жылдамдықты басқаратын кез келген басқа функцияларды өзгертсеңіз, “Sense пісіру” функциясы өшіп қалады.

T8. СҮЗГІНІҢ ҚАНЫҒУ ИНДИКАТОРЛАРЫ

Белгілі бір уақыт аралығынан кейін, сорғы сүзгіге қызмет көрсету қажет екендігі туралы белгі бере бастайды.

Назар аударыңыз: Индикаторлар сорғы қосылу тұрғанда ғана жұмыс істейді.

T8 түймесі жанып тұр: Май сүзгісіне техникалық қызмет көрсетіңіз.

T8 түймесі жыпылықтап тұр: көмір сүзгісіне техникалық қызмет көрсетіңіз.

Сүзгінің қанығу индикаторларын қайта орнату:

Назар аударыңыз: Бұл әрекетті сорғы қосылу тұрғанда орындау қажет.

T8 түймесін басып ұстап тұрыңыз.

Көміртекті сүзгінің қанығу индикаторын іске қосу

Назар аударыңыз: Бұл әрекет орындалғанда, ауа сору қозғалтқышы сөндірулі болу керек .
Әдетте бұл индикатор сөндірулі болады, бұл функцияны іске қосу үшін, **T3** және **T10** түймелерін бір уақытта басып, ұстап тұрыңыз: Түймелер функцияның іске қосылғандығын көрсетіп жанады.
Функцияны сөндіру үшін, дәл сол түймелерді (**T3** және **T10**) қайтадан 1073 аасып, ұстап тұрыңыз: Түймелер алдымен тез жыпылықтайды да, функцияның сөнгенін көрсетіп, өшіп қалады.

T9. ON/OFF OPERATING MODE “DAILY AIR SENSE” (“SENSE КҮНДЕЛІКТІ АУА” ЖҰМЫС РЕЖИМІН ҚОСУ/ӨШІРУ)

Егер сорғы ішіндегі датчик қоршаған орта жағдайына қарай ауа сору жылдамдығын арттыру қажеттігін анықтаса, сорғы ауа сору жылдамдығын автоматты түрде **1**-ге арттырады.

Егер анықталған сыртқы жағдайларға қарай ауа сору жылдамдығы өзгермесе, сорғы екі сағаттан соң өшіп қалады.

Сорғының қандай жұмыс режимінде істеп тұрғандығына қарамастан, бес сағат қолданылғаннан кейін сорғы қалай болғанда да өшіп қалады.

Назар аударыңыз: аталған функция дұрыс қолданылуы үшін, алдымен тиісті тарауда сипатталғандай, **автоматты режим параметрлерін орнатыңыз.**

T10. ON/OFF OPERATING MODE "INTENSIVE AIR SENSE" (“SENSE ҚАРҚЫНДЫ АУА” ЖҰМЫС РЕЖИМІН ҚОСУ/ӨШІРУ)

Егер сорғы ішіндегі датчик қоршаған орта жағдайына қарай ауа сору жылдамдығын арттыру қажеттігін анықтаса, сорғы ауа сору жылдамдығын автоматты түрде **5**-ке арттырады.

Егер анықталған сыртқы жағдайларға қарай ауа сору жылдамдығы өзгермесе, сорғы екі сағаттан соң өшіп қалады.

Сорғының қандай жұмыс режимінде істеп тұрғандығына қарамастан, бес сағат қолданылғаннан кейін сорғы қалай болғанда да өшіп қалады.

Назар аударыңыз: аталған функция дұрыс қолданылуы үшін, алдымен тиісті тарауда сипатталғандай, **автоматты режим параметрлерін орнатыңыз.**

АВТОМАТТЫ РЕЖИМ ПАРАМЕТРЛЕРІН ОРНАТУ

Автоматты режимнің дұрыс қолданылып жатқандығына көз жеткізу үшін, сорғыны калибрлеп, плитаның түрін таңдау қажет.

Сорғыны калибрлеу

Назар аударыңыз: бұл әрекетті құрылғы күту режимінде тұрғанда, яғни қозғалтқышты өшіргеннен кейін бір минут өткен соң орындау қажет.

T4 түймесін басып, 5 секунд ұстап тұрыңыз.

1-ші ауа сору жылдамдығы көрсетіліп, **T4** түймесі сорғының калибрлеуі аяқталғандығын көрсетіп (ол шамамен 15 минутқа созылады), жыпылықтай бастайды.

Назар аударыңыз: Калибрлеу процесін тоқтату үшін, **T4** түймесін бес секунд басып, ұстап тұрыңыз. Содан соң калибрлеу жарамсыз деп танылады, сондықтан 1086 іны қайта орындау қажет болады.

Назар аударыңыз: Құрылғы қуат қорегіне алғаш рет қосылғанда, калибрлеу автоматты түрде орындалады. **T4** жыпылықтайды.

Калибрлеу әрекеті аяқталғанша, 15 минут күтіңіз.

Плитаның түрін таңдау

Назар аударыңыз: бұл әрекетті құрылғы күту режимінде тұрғанда, яғни қозғалтқышты өшіргеннен кейін бір минут өткен соң орындау қажет.

T9 және **T10** түймелерін бес секунд басып ұстап тұрыңыз.

T9 және **T10** түймелері жанады.

Егер де плитаны газбен қуаттасаңыз, **T9** түймесін басыңыз:

түйме таңдалғанын білдіріп жана бастайды.

Егер де плитаны электр энергиясымен қуаттасаңыз, **T10** түймесін басыңыз: түйме таңдалғанын білдіріп жана бастайды.

Түйме басылғаннан кейін үш секунд жыпылықтап, сіздің таңдауыңыздың сақталғандығын көрсетеді.

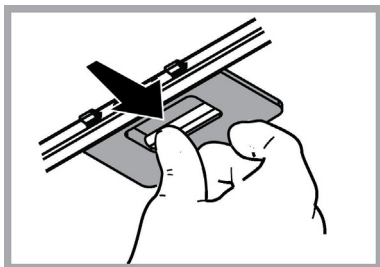
ТЕХНИКАЛЫҚ ҚЫЗМЕТ КӨРСЕТУ

Тазалау

Тазалау үшін **ТЕК** бейтарап жуғыш затпен суланған арнайы шүберекті пайдаланыңыз. **ҚҰРЫЛҒЫНЫ НЕМЕСЕ ТАЗАЛАУ ҚҰРАЛЫН ПАЙДАЛАНБАҢЫЗ!** Абразиялық қоспасы бар затты пайдаланбаңыз. **СПИРТТІ ПАЙДАЛАНБАҢЫЗ!**

Майды тазарту сүзгілеріне техникалық қызмет көрсету

Ас дайындаудағы май бөлшектерін ұстап қалады. Филтрді ай сайын жуғыш заттармен қолмен немесе төмен температурада және үнемді жуу цикліндегі ыдыс жуғыш машинасында тазалап тұру керек (немесе филтрді қанықтыру жүйесі, егер сіздің үлгіде болса, берілген қажеттілікті көрсеткен жағдайда). Майды тазалау филтри ыдыс жуғыш машинасымен жуғанда өңсізденуі мүмкін. Бірақ оның тазалау сипаты мүлде өзгермейді. Май сүзгісін алып тастау үшін серіппелі босату тұтқасын тартыңыз



Көмір сүзгісіне қызмет көрсету

Ас пісірген кезде жарамсыз иісті ұстап қалады.

Ас дайындау түріне және май сүзгісін тазалау жиілігіне байланысты, көмір сүзгісінің қанықтырылуы азды көпті ұзақ қолданғаннан кейін орын алады.

Кез келген жағдайда, картриджді әр 5 жыл сайын ауыстыруыңыз қажет.

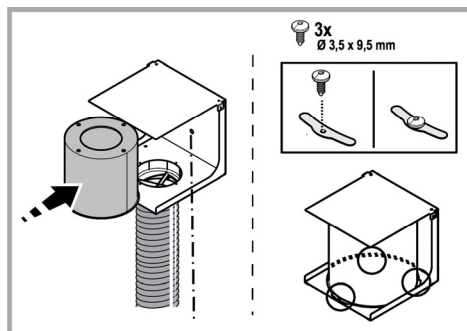
Оны жуу немесе қалпына келтіру **МҮМКІН ЕМЕС**

Тамаша сору нәтижелеріне жету үшін, сүзгі стандартты сүзгілерден үлкенірек болады және сорғыштың үстіндегі тірекке орнатылады.

Көміртек сүзгісін салу және алу

1. Сорғыны электр желісінен ажыратыңыз.
2. Цилиндрлік сүзгіні тіреуіштің ішіне салыңыз.
3. Сүзгіні құрылғымен бірге берілетін бұрандалар мен пластиналардың көмегімен бекітіңіз.

Алу үшін қадамдарды кері орындаңыз.



Лампаларды ауыстыру

Корпус жарық диод технологиясына негізделген жарық жүйесімен жабдықталған.

Жарық диодтары оңтайлы жарықты, әдеттегі шамдардан 10 есе артық ұзақтықты қамтамасыз етеді және 90% электр энергиясын сақтауға мүмкіндік береді.


Шамдарды ауыстыру үшін, өкілетті қосалқы бөлшектер орталығына хабарласыңыз.

ЖОЮ

Электрлік және электрондық аспаптарды қайта пайдаға асыру жөніндегі 2012/19/ЕС Европалық директивке (WEEE) сәйкес берілген өнім таңбаланды.

Берілген өнімді дұрыс қайта пайдаға асыруды қамтамасыз етумен, Сіз қоршаған ортаға және адам денсаулығына кері әсерін тигізу ді болдырмауға көмектесесіз.



Аспаптағы немесе жолдама құжаттағы  таңбасы берілген аспапты қайта пайдаға асыруда әдеттегі тұрмыстық қалдық ретінде игеруге болмайтынын көрсетеді. Оның орнына электрлік және электрондық аспаптарды қайта пайдаға асыруға арналған қабылдау пунктіне тапсыру керек.

Бұзуға тапсыру аспапты қайта пайдаға асыру жөніндегі жергілікті ережелерге сәйкес шығарылуы тиіс. Бұндай өнімдерді пайдалану, қайта пайдаға асыру ережелері жөнінде толық ақпаратты жергілікті әкімшілік орындарынан, қалдықтарды қайта пайдаға асыру қызметінен немесе берілген өнімді Сіз сатып алған дүкенен ала аласыз.

Құрылғы келесілерге сай жобаланған, сыналған және жасап шығарылған:

- Қауіпсіздік: EN/IEC 60335-1; EN/IEC 60335-2-31, EN/IEC 62233.
- Өнімділік: EN/IEC 61591; ISO 5167-1; ISO 5167-3; ISO 5168; EN/IEC 60704-1; EN/IEC 60704-2-13; EN/IEC 60704-3; ISO 3741; EN 50564; IEC 62301.
- EMC: EN 55014-1; CISPR 14-1; EN 55014-2; CISPR 14-2; EN/IEC 61000-3-2; EN/IEC 61000-3-3.

Қоршаған ортаға әсерді азайту үшін дұрыс пайдалану туралы нұсқаулар:

Әзірлеуді бастағанда қақпақты ең аз жылдамдықпен қосыңыз және әзірлеу аяқталғаннан кейін біраз минут бойы жұмыс істетіңіз. Жылдамдықта тек түтіннің және будың үлкен мөлшері жағдайында арттырыңыз және күшейту жылдамдығын(қтарын) тек шекті жағдайларда пайдаланыңыз. Жақсы жағымсыз иісті азайту тиімділігін сақтау үшін қажет болғанда көмір сүзгісін(лерін) ауыстырыңыз. Жақсы май сүзгісі тиімділігін сақтау үшін қажет болғанда май сүзгісін(лерін) ауыстырыңыз. Тиімділікті оңтайландыру және шуды барынша азайту үшін осы нұсқаулықта көрсетілген өткізу жүйесінің ең үлкен диаметрін пайдаланыңыз.

АҚАУЛЫҚТАР

Егер құрылғының бір бөлігі дұрыс жұмыс істемесе, Техникалық қызмет көрсету бөліміне қоңырау шалмас бұрын келесі әрекеттерді орындаңыз:

- Қақпақ жұмыс істемесе:
 - Төмендегілерді тексеріңіз:
 - Қуат ажыратылмаған.
 - Жылдамдық таңдалған.
- Қақпақ жеткіліксіз қызмет атқарса:
 - Төмендегілерді тексеріңіз:
 - Таңдалған мотор жылдамдығы босатылған түтін мен будың мөлшері үшін жеткілікті.
 - Асүй ауа кірісі үшін жеткілікті желдетіледі.
 - Көмір сүзгісі тозбаған (қақпақ сүзу нұсқасында).
- Қақпақ қалыпты әрекет барысында өшірілсе:
 - Төмендегілерді тексеріңіз:
 - Қуат ажыратылмаған.
 - көп полюсті ажырату құрылғысы өшірілмеген.

Егер қақпақ тиісінше жұмыс істемесе, оны сымды тарту арқылы желілік розеткадан 5 секундқа қысқа уақытқа ажыратыңыз. Содан кейін оны қайтадан жалғаңыз да, Техникалық қолдау қызметіне хабарласу алдында қайта қосып көріңіз.

ТЕХНИКАЛЫҚ ДЕРЕКТЕР

Биіктігі (см)	Ені (см)	Тереңдігі (см)	Түтін шығару құбыры Ø (см)
110-129,5	89,8	32	15

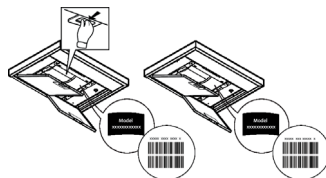


Өніммен бірге берілмеген құрамдастар



Қауіпсіздік нұсқаулығын, пайдалану нұсқаулығын, техникалық деректер парағын және электр деректерін келесідей жүктеп алуға болады:

- Веб-сайтымызға кіру: **docs.whirlpool.eu**
- QR кодын пайдалану
- Болмаса, **Сатудан кейінгі қызмет көрсету орталығымен** хабарласу (телефон нөмірін кепілдік буклетінен көріңіз). Сатудан кейінгі қызмет көрсету орталығымен хабарласқан кезде, өнімнің деректер тақтайшасындағы кодты беріңіз.



NO

ADVARSEL

- Før det utføres et hvilket som helst vedlikehold eller rengjøring må hetten kobles fra strømmen, enten ved å dra ut støpselet eller ved å kutte strømmen i hele huset.
- Bruk alltid arbeidshansker under hele installasjonen og når det utføres vedlikehold.
- Dette apparatet kan benyttes av barn fra 8 år og oppover og av personer med svekkede fysiske, følelsesmessige eller mentale egenskaper, eller manglende erfaring og kjennskap, hvis de overvåkes eller hvis de er opplært til å ta apparatet i bruk på en sikker måte og er informert om tilhørende farer.
- Pass på at barn ikke leker med apparatet.
- Rengjøring og vedlikehold må ikke utføres av barn, med mindre de overvåkes.
- Rommet må være tilstrekkelig ventilert hvis hetten anvendes sammen med andre apparater som forbrenner gass eller annet brensel.
- Hetten må rengjøres ofte både innvendig og utvendig (MINST EN GANG I MÅNED), ta hensyn til informasjonene skrevet i bruksanvisning og vedlikehold håndbok.
- Manglende overholdelse av rengjørings indikasjon samt som erstatning og rengjør av filter kan føre til brann fare.

- Det er strengt forbudt å lage flambert mat under hetten.
- Bruk kun samme type lyspære som indikeres i avsnittet vedlikehold/utbytting av lyspære i denne veiledningen når lyspæren skal byttes ut.

Frie flammer kan skade filtrene og medføre brann og må derfor alltid unngås.

Frityrsteking må overvåkes for å unngå at oljen blir for varm og antennes.

VÆR OPPMERKSOM: Hettens tilgjengelige deler kan bli varme når koketoppen er i drift.

- Ikke kobl apparatet til strømmettet før installasjonen er helt ferdig.

- Når det gjelder tekniske mål og sikkerhet for røykuttak, følg nøye alle lokale forskrifter og regler.
- Oppsugd luft må ikke føres inn i et rør som benyttes som uttak for apparater med gassforbrenning eller annen brensel.
- Ikke bruk hetten uten lyspære eller med feilmontert lyspære, da det finnes fare for elektriske støt.

Ikke bruk hetten med feilmontert rist!

Hetten må ALDRIG brukes som støtteflate, med mindre dette er uttrykkelig indikert.

- Bruk kun de festeskruene som leveres sammen med apparatet for å utføre installasjonen eller, hvis de ikke utleveres, kjøp riktige skruer.

- Bruk riktig lengde på skruene som er oppført i Installasjonsveiledningen.

- Vennligst ta kontakt med et autorisert servicesenter eller lignende kvalifisert personell hvis man er i tvil.

▲ VÆR OPPMERKSOM!

- Manglende installasjon av skruer og festeanordninger i samsvar med disse instruksjonene kan føre til elektriske farer.
- Ikke bruk tidsmåler, timer, separat fjernkontroll eller andre typer anordninger som aktiveres automatisk.

Barn under 3 års alder må holdes på avstand fra apparatet. Barn under 8 års alder må holdes på avstand fra apparatet dersom de ikke holdes under konstant oppsyn av en voksen.

▲ OBS! Apparatet er ikke utviklet for å styres av eksterne enheter eller separate fjernstyrte systemer.

▲ Dette apparatet er ikke utviklet for profesjonell bruk. Ikke bruk apparatet under åpen himmel.

▲ For å motvirke risikoen for personskader må apparatet flyttes og installeres av to eller flere personer.

▲ Installasjonen innbefatter også eventuelle opplegg for vannforsyning og elektriske forbindelser, og reparasjonsingrep må derfor

utføres av kvalifisert personell.

Når installasjonen er fullført må alt emballasjemateriell (plast, styrenplast osv.) holdes på avstand fra barn. Dette for å unngå kvelningsrisiko. .

Apparatet må ikke brukes av våte personer eller personer med våte føtter.

Ikke bruk apparatet til dampvask - risiko for elektriske støt.

Emballasjemateriell er 100% resirkulerbart og avmerket med gjenvinningsymbol



Ventilatorhetten kan se annerledes ut enn det som vises på tegningene i denne håndboken. Bruksanvisningen, vedlikehold og installasjon forblir allikevel de samme.

Instruksjonene i denne håndboken må følges nøye. Produsenten fraskriver seg ethvert ansvar for eventuelle uhell, skader eller brann på apparatet som skyldes at bruksanvisningen i denne håndboken ikke har blitt overholdt. Ventilatoren er ment for avtrekk av røyk og damp fra matlaging og er kun til husholdningsbruk.

- Det er viktig å oppbevare denne håndboken for å kunne konsultere den i ethvert øyeblikk. Ved salg, overdragelse eller flytting av produktet, må man forsikre seg om at den følger med.
- Les bruksanvisningen nøye: den inneholder viktige informasjonen om installasjon, bruk og sikkerhet.
- Ikke utfør elektriske eller mekaniske endringer på produktet eller på avtrekksrørene.
- Før man fortsetter med installasjon av apparatet, skal man undersøke at ingen komponenter er skadet. Hvis det skulle være skade på komponentene, skal man ta kontakt med forhandleren og ikke fortsette med installasjonen.

Minimumsavstanden mellom koketoppen og undersiden av kjøkkenventilatoren må ikke være på mindre enn 50cm når det gjelder elektriske kokeplater og 65cm når det gjelder gassbluss og kombinerte koketopper.

Dersom bruksanvisningen for et gasskokeapparat opererer med en større avstand, må denne overholdes.

ELEKTRISK TILKOBLING

Nettspenningen må være i samsvar med den elektriske spenningen som angis på typeskiltet inne i ventilatoren. Hvis det følger med støpsel, kobles ventilatoren til en lett tilgjengelig stikkontakt som er godkjent i henhold til gjeldende normer. Stikkontakten må være lett tilgjengelig også etter installasjonen. Hvis det ikke følger med støpsel (direkte kobling til strømmettet), eller stikkontakten selv etter installasjonen ikke er lett tilgjengelig, må man sette på en godkjent topolet bryter som garanterer fullstendig frakobling fra strømmettet i situasjonene som oppstår i kategorien overspenning III, i henhold til installasjonsreglene.

▲ MERK!

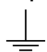
Før man kobler ventilatorens strømkrets til strømmettet og fastslår at alt fungerer korrekt, må man alltid kontrollere at strømledningen er korrekt montert.

Dersom det ikke er montert et støpsel på ledningen, må du gå fram i henhold til tabellen nedenfor:

Nettets spenning og frekvens

Vær oppmerksom på verdien på merkeetiketten innenfor avtrekksketten.

Kopling av ledning

 : gul/grønn
N : blå
L : brun

Utbytte av strømforsyning ledning

Ventilatoren har en spesiell strømledning; dersom denne skades, skal man henvende seg til kundeassistenten for kjøp av en ny.

AVTREKK AV LUFT

FILTRERENDE ELLER SUGENDE?

! Denne avtrekksketten er blitt utformet for å brukes utelukkende i filterversjon.

Filtreringssystemet er utstyrt med High Performance aktivt karbonfilter

Merk: grunnet dens tekniske karakteristikker er det ikke mulig å bruke avtrekksketten i vanlig avtrekksmodus.

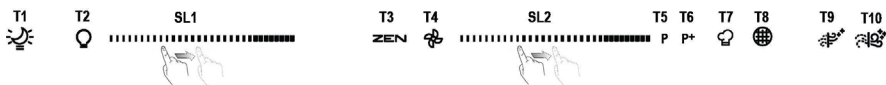
Viktig! For en korrekt installasjon må det anvendes et avtrekksrør av fleksibel type.

Filtrerende versjon

Luften som suges opp blir rensset, og fett og lukter fjernes før den føres tilbake i rommet. Hvis man vil bruke ventilatoren i denne versjonen, er det nødvendig å installere et ekstra filtersystem basert på aktivt kull.

FUNKSJONER

Viften er utstyrt med et kontrollpanel med viftehastighetsvalg og en lysbryter for å kontrollere kokeområdets lys.



T1. ON/OFF "Nattlys"

T2. Kokeflates belysning ON/OFF – Velg fargetemperatur

T3. Operasjon "ZEN Modus"

T4. Motor ON/OFF

T5. "FULL STYRKE 1" funksjon

T6. "FULL STYRKE 2" funksjon

T7. Automatisk modus "Cook Sense"

T8. Indikator for metning av filter

T9. ON/OFF driftsmodus for "Daily Air Sense"

T10. ON/OFF driftsmodus "Intensive Air Sense"

T1. ON/OFF "NATTLYS"

Trykk for å slå den svake bakgrunnsbelysningen på eller av.

T2. KOKEFLATES BELYSNING ON/OFF – VELG FARGETEMPERATUR

Trykk for å slå ovenlyset på eller av.

• Når lyset er på, bruk fingeren for å skyve fra høyre eller venstre over **SL1** LED-stripen for å øke eller redusere lysstyrken.

For å stille inn temperaturen til belysningens farge

• Trykk på (og hold den inne) igjen,

• Ved å bruke fingeren din for å skyve fra høyre eller venstre over LEDstripen **SL1** for å stille inn intensiteten til lyset kaldere eller varmere.

Dersom du ikke endrer fargen i løpet av fem sekunder, vil **SL1** blinke på fargeinnstillingen du har valgt og du vil kunne høre et akustisk signal som indikerer at systemet har lagret denne konfigurasjonen.

Merk: Lyset vil slå seg på på den siste intensiteten du stilte inn før apparatet ble slått av.

T3. OPERASJON "ZEN MODUS"

Trykk for å aktivere eller deaktivere modusen "ZEN" modus for **avtrekking**.

Denne funksjonen gjør det mulig å aktivere en avtrekkshastighet med en perfekt balanse mellom lydløshet og avtrekkseffektivitet.

T4. MOTOR ON/OFF

Trykk for å slå **avtrekksmotoren** på eller av.

• Når motoren står på, bruk fingeren for å skyve mot høyre eller venstre over **SL2** LED-stripen for å øke eller redusere avtrekkshastigheten.

T5. "FULL STYRKE 1" FUNKSJON

Når motoren for avtrekk står på, trykk på T5 for å aktivere "**POWER BOOST 1**" **intensiv avtrekks** hastighet (tidskontrollert).

Merk: Hetten vil returnere til hastigheten det tidligere fungerte med etter fem minutter.

T6. "POWER BOOST 2" FUNKSJON

Når avtrekksmotoren står på, trykk på T6 for å aktivere "**POWER BOOST 2**" **intensiv avtrekks** hastighet (tidskontrollert).

Merk: Hetten vil returnere til hastigheten det tidligere fungerte med etter fem minutter.

T7. AUTOMATISK MODUS "COOK SENSE"

Hetten vil øke avtrekkshastigheten til 1 automatisk dersom sensoren i hetten registrerer at omgivelsesforholdene krever dette.

Dersom omgivelsesforholdene ikke endrer seg – og hetten allerede bruker en hastighet for avtrekk 1 – vil hetten slå seg av etter fem minutter.

Merk: For å være sikker på at funksjonen fungerer på riktig måte, vennligst **konfigurer parameterne for automatisk modus** først slik det ble beskrevet i det aktuelle avsnittet.

Merk: Når automatisk modus benyttes, og du endrer en hvilken som helst annen funksjon som styrer hastigheten, vil den automatiske funksjonen "Cook Sense" slå seg av.

T8. INDIKATORER FOR METTET FILTER

Ved jevne mellomrom varsler hetten at vedlikehold må utføres.

Merk: Indikatorene fungerer kun når hetten står på.

T8 knappen lyser: Utfør vedlikehold på fettfilteret.

T8 knappen blinker: Utfør vedlikehold på kullfilteret.

Tilbakestilling av indikatoren for mettet filter:

Merk: Dette må gjøres når hetten er slått på.

Trykk og hold nede **T8** knappen.

Aktivering av det aktive karbonfilterets metningsindikator

Merk: Dette må gjøres når avtrekksmotoren er slått av.

Denne indikatoren er vanligvis deaktivert – trykk og hold nede knappene **T3** og **T10** samtidig for å aktivere funksjonen: Knappene vil tennes for å indikere aktivering.

For å deaktivere funksjonen, trykk og hold nede de samme knappene (**T3** og **T10**) igjen: Knappene vil blinke kort og deretter slå seg av for å indikere deaktivering.

T9. ON/OFF DRIFTSMODUS FOR "DAILY AIR SENSE"

Hetten vil øke avtrekks hastigheten til **1** automatisk dersom sensoren i hetten registrerer at omgivelsesforholdene krever dette.

Dersom avtrekks hastigheten ikke endres i henhold til omgivelsestilstandene som registreres, vil hetten slå seg av etter to timer.

Hetten vil uansett slå seg av etter at den har vært i bruk i fem timer, uavhengig av driftsmodus.

Merk: For å være sikker på at funksjonen fungerer på riktig måte, vennligst **konfigurer parameterne for automatisk modus** først slik det ble beskrevet i det aktuelle avsnittet.

T10. ON/OFF DRIFTSMODUS "INTENSIVE AIR SENSE"

Hetten vil øke avtrekks hastigheten til **5** automatisk dersom sensoren i hetten registrerer at omgivelsesforholdene krever dette.

Dersom avtrekks hastigheten ikke endres i henhold til omgivelsestilstandene som registreres, vil hetten slå seg av etter to timer.

Hetten vil uansett slå seg av etter at den har vært i bruk i fem timer, uavhengig av driftsmodus.

Merk: For å være sikker på at funksjonen fungerer på riktig måte, vennligst **konfigurer parameterne for automatisk modus** først slik det ble beskrevet i det aktuelle avsnittet.

KONFIGURERING AV PARAMETRENE FOR AUTOMATISK MODUS

For å være sikker på at automatisk modus benyttes på riktig måte, må du regulere hetten og velge type kokeflate.

Regulering av hetten

Merk: Dette må gjøres når apparatet er i standby, dvs. ett minutt etter at motoren er slått av.

Trykk og hold nede **T4** knappen i fem sekund.

Avtrekks hastighet **1** vil aktiveres og **T4** knappen vil blinke for å indikere at reguleringen av hetten er startet (dette vil ta omtrent 15 minutter).

Merk: For å stanse reguleringsprosessen, trykk og hold nede **T4** knappen i fem sekund. Reguleringen gjøres ugyldig og derfor vil det være nødvendig å gjenta prosessen.

Merk: Reguleringen utføres automatisk når strømtilførselen fram til produktet slås på for første gang. **T4** vil blinke. Vent i 15 minutter for å fullføre.

Valg av type kokeflate

Merk: Dette må gjøres når apparatet er i standby, dvs. ett minutt etter at motoren er slått av.

Trykk og hold nede knappene **T9** og **T10** i fem sekund.

Knappene **T9** og **T10** vil lyse opp.

Ved gassdrevet kokeflate, må du trykke på **T9** knappen – knappen vil blinke for å indikere at den gassdrevne typen er valgt.

Ved elektrisk kokeflate, må du trykke på **T10** knappen – knappen vil blinke for å indikere at den elektriske typen er valgt.

Når den er trykket ned, vil knappen blinke i tre sekund for å indikere at ditt valg er lagret.

VEDLIKEHOLD

Rengjøring

Til rengjøring skal det **KUN** benyttes en klut fuktet med et nøytralt rengjøringsmiddel. **VERKTØY ELLER APPARATER SKAL IKKE BRUKES TIL RENGJØRING!**

Unngå bruk av slpende eller etsende produkter. **ALKOHOL SKAL IKKE BRUKES!**

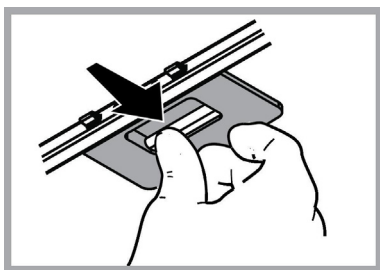
Vedlikehold av motfettet filteret

Fanger kokefettpartikler.

Dette må rengjøres en gang i måneden (eller når det elektroniske systemet viser at filteret er skittent – hvis din modell har denne funksjonen), med milde (ikke aggressive) rengjøringsmidler, for hånd eller i oppvaskmaskin ved lav temperatur og med kort syklus.

Ved vask i oppvaskmaskin kan fettfilteret i metall miste fargen, men dets filterkarakteristikk endres absolutt ikke.

For å demontere fettfilteret må man dra i fjærhåndtaket.



Vedlikehold av kull filter

Holder tilbake ubehagelige lukter fra matlaging.

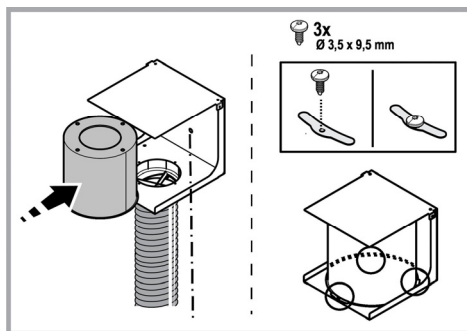
Karbonfilteret mettes etter en relativt lang tids bruk, dette avhenger av type matlaging og hvor regelmessig fettfilteret gjøres rent. Det er uansett nødvendig å skifte filterpatronen hvert femte år. Denne KAN IKKE vaskes eller resirkuleres.

For optimal ytelse ved filtrering, er filteret større enn standardfilteret og installeres på en støtte over hetten.

Montering og utskifting av karbonfilteret

1. Kople apparatet fra strømforsyningen.
2. Sett det sylindriske filteret inn i støtten.
3. Fest filteret med skruene og platene som leveres sammen med apparatet.

Gå fram i motsatt rekkefølge ved demontering.



Utbytting av lyspære

Ventilatoren er utstyrt med et belysningsssystem basert på LED-teknologi.


LED-lysene garanterer optimal belysning, har opptil 10 ganger lengre varighet enn tradisjonelle lyspærer og tillater en strømsparing på 90 %.

Vennligst ta kontakt med autorisert kontor for reservedeler for å bytte ut lyspæren.

KASSERING

Dette apparatet er merket i konformitet med EU-direktivet 2012/19/EC, Waste Electrical and Electronic Equipment (WEEE). Ved å forsikre seg om at dette produktet kasseres forskriftsmessig, bidrar brukeren med å forebygge mulige negative miljø- og helsekonsekvenser.



Symbolet  på produktet eller på papirer som følger med viser at dette produktet ikke må behandles som vanlig husholdningsavfall, men må leveres til et egnet gjenvinnings-senter for elektrisk og elektronisk avfall. Produktet må kasseres i henhold til lokale normer for kassering av avfall. For videre informasjon om behandling, gjenvinning og resirkulering av dette produktet kan du kontakte egnet lokalt kontor, renovasjonskontoret for husholdningsavfall eller butikken hvor du kjøpte produktet.

Apparatet er utformet, testet og produsert i henhold til:

- Sikkerhet: EN/IEC 60335-1; EN/IEC 60335-2-31, EN/IEC 62233.
- Kapasitet: EN/IEC 61591; ISO 5167-1; ISO 5167-3; ISO 5168; EN/IEC 60704-1; EN/IEC 60704-2-13; EN/IEC 60704-3; ISO 3741; EN 50564; IEC 62301.
- Elektromagnetisk kompatibilitet EMC: EN 55014-1; CISPR 14-1; EN 55014-2; CISPR 14-2; EN/IEC 61000-3-2; EN/IEC 61000-3-3.

Forslag til riktig bruk for å redusere miljøpåvirkning: Skru PÅ ventilatorhetten på minimum hastighet når du starter matlagingen og lå den holdes i gang i noen minutter etter at matlagingen er ferdig. Øk hastigheten kun ved store mengder røyk og damp og bruk boost-hastighet(er) kun i ekstreme situasjoner. Skift ut kullfilter når det er nødvendig for å opprettholde optimal effektivitet for odørreduksjon. Rengjør fettfilter når det er nødvendig for å opprettholde optimal effektivitet for fettfilter. Bruk maksimum diameter på kanalsystemet som er angitt i denne bruksanvisningen for å optimalisere effektivitet og minimere støy.

FEIL VED BRUK

Dersom feil oppstår ved bruk før du tar kontakt med Kunde Service se etter følgende kontroll:

- Dersom hetten ikke virker:
Verifiser at:
 - Brudd i strøm forsyning ikke har tatt sted.
 - Det har blitt valgt en hastighet.
- Dersom hetten har en lav kapasitet:
Verifiser at:
 - Motor hastighet som har blitt valgt er i stand til å fjerne mengden på røyk og damp som er til stede
 - Kjøkkenet er ventilert nok for å bidra til et luft oppsuging.
 - Kull filter ikke er oppbrukt (ved hetten i filtrerings funksjon).
- Dersom hetten har slott seg av ved vanlig bruk:
Verifiser at:
 - Brudd i strøm forsyning ikke har tatt sted.
 - Omnipolar av sperre system ikke har aktivert seg.

Dersom det oppstår feil ved vanlig idriftsettelse før du tar kontakt med Kunde Service slå av for minst 5 sec. Strøm forsyning ved å ta ut strøm kontakt og deretter ved å koble den på igjen. Dersom feilet fortsetter ta kontakt med Kunde Service.

TEKNISKE DATA

Høyde (cm)	Bredde (cm)	Dybde (cm)	Ø ved utfaksrøret (cm)
110-129,5	89,8	32	15



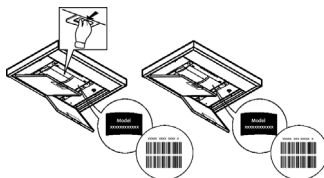
Utstyr som ikke følger ved kjøpet



Du kan laste ned Sikkerhetsinstruksene, Brukerhåndboken, Produktkortet og

Energidata ved:

- Besøke vårt nettsted docs.whirlpool.eu
- Ved å benytte QR-koden
- Alternativt kan du kontakte vår **Ettersalgsservice** (se telefonnummeret i garantiheftet). Når du kontakter vår Ettersalgsservice, vennligst oppgi kodene du finner på produktets typeskilt.



OGÓLNE BEZPIECZEŃSTWO

- Przed każdym rozpoczęciem czyszczenia lub konserwacji należy odłączyć okap od zasilania elektrycznego poprzez wyciągnięcie wtyczki lub odłączenie głównego bezpiecznika pomieszczenia.
 - W trakcie wykonywania wszystkich prac instalacyjnych i konserwacyjnych należy używać rękawice robocze.
 - Urządzenie może być używane przez dzieci w wieku nie niższym niż 8 lat oraz osoby o ograniczonej zdolności fizycznej, czuciowej lub psychicznej lub pozbawione doświadczenia czy niezbędnej wiedzy, pod warunkiem, że pozostaną pod nadzorem lub zostaną poinstruowane o bezpiecznym używaniu urządzenia i rozumieją niebezpieczeństwa z nim związane. Dzieci powinny być pilnowane, aby nie bawiły się urządzeniem.
 - Czyszczenie i konserwacja nie może być wykonywana przez dzieci pozostawione bez opieki.
 - Pomieszczenie, w którym zainstalowany jest okap powinno posiadać odpowiednią wentylację, kiedy jest on używany jednocześnie z innymi urządzeniami zasilanymi gazem lub innymi paliwami.
 - Okap powinien być często czyszczony zarówno wewnątrz jak i na zewnątrz (PRZYNAJMNIEJ RAZ NA MIESIĄC), należy bezwzględnie przestrzegać wskazówek zawartych w instrukcji konserwacji. Nieprzestrzeganie zasad czyszczenia okapu oraz wymiany i czyszczenia filtrów może spowodować ryzyko powstania pożaru.
 - Jest surowo zabronione przygotowywanie posiłków z płomieniem pod okapem.
 - Aby wymienić lampkę należy użyć wyłącznie ten rodzaj lampki, który został wskazany w rozdziale konserwacja/wymiana lampki w niniejszej instrukcji. Używanie wolnego płomienia jest szkodliwe dla filtrów i może spowodować pożary, dlatego należy tego unikać w każdym przypadku. Smażenie musi być wykonywane pod kontrolą, aby uniknąć zapalenia się rozgrzanego oleju.
- UWAGA: Kiedy powierzchnia do gotowania jest włączona dostępne części okapu mogą się rozgrzać.
- Nie podłączać urządzenia do sieci elektrycznej dopóki instalacja nie zostanie całkowicie zakończona.
 - Jeśli chodzi o normy techniczne i bezpieczeństwa, których należy przestrzegać podczas wydalania oparów należy rygorystycznie przestrzegać zasad przewidzianych w regulaminie właściwych organów lokalnych.
 - Zasyrane powietrze nie może być przekazane do kanału używanego do wydalania oparów wytworzonych przez urządzenia spalania gazów lub innych paliw.
 - Nie należy używać ani pozostawiać okapu pozbawionego poprawnie zamontowanych lampek w związku z możliwością porażenia prądem.
 - Nigdy nie używać okapu bez poprawnie zamontowanej kratki!
 - Okap nie może być NIGDY używany, jako płaszczyna oparcia, o ile nie zostało to wyraźnie wskazane.
 - Należy używać do instalacji wyłącznie śrub mocujących będących na wyposażeniu z produktem lub jeśli ich nie ma na wyposażeniu, zakupić właściwy rodzaj śrub.
 - Używać śrub o odpowiedniej długości, które są opisane w Przewodniku do instalacji.
 - W razie wątpliwości, skontaktować się z odnośnym autoryzowanym centrum obsługi lub z wykwalifikowanym personelem.

⚠ UWAGA!

- Niezainstalowanie śrub i urządzeń mocujących zgodnie z instrukcją może spowodować zagrożenia natury elektrycznej.
- Nie stosować w połączeniu z oddzielnym programatorem, timerem, zdalnym sterowaniem lub każdym innym urządzeniem, które uaktywnia się automatycznie.

Trzymać dzieci poniżej 3 roku życia z dala od urządzenia. Bez ciągłego nadzoru osoby dorosłej, trzymać urządzenie z dala od dzieci poniżej 8 roku życia.

⚠ UWAGA: urządzenie nie jest przeznaczone do uruchamiania za pomocą urządzenia zewnętrznego lub oddzielnego systemu zdalnego sterowania.

⚠ Omawiane urządzenie nie jest przeznaczone do użytku profesjonalnego. Nie używać urządzenia na zewnątrz.

⚠ Aby uniknąć ryzyka obrażeń, urządzenie powinny instalować i przenosić dwie osoby.

⚠ Montaż, który obejmuje również ewentualne połączenia do zasilania wodą (jeżeli przewidziane) oraz podłączenia elektryczne jak również interwencje naprawcze może być wykonywany wyłącznie przez wykwalifikowany personel.

Po zainstalowaniu, przechowywać materiał opakowaniowy (plastikowe elementy, styropian itd.) poza zasięgiem dzieci, aby uniknąć ryzyka uduszenia.

Nie używać urządzenia, gdy ciało i ręce są mokre lub w gołych stopach.

Nigdy nie używać parowych urządzeń czyszczących – ryzyko porażenia prądem.



Materiał opakowaniowy nadaje się w 100% do recyklingu i jest oznaczony symbolem

Okap może różnić się pod względem wyglądu od okapu przedstawionego na rysunkach niniejszej instrukcji, ale zalecenia dotyczące obsługi, konserwacji i montażu pozostają niezmienione.

Przy przeprowadzaniu instalacji urządzenia należy postępować według wskazówek podanych w niniejszej instrukcji.

Producent uchyla się od wszelkiej odpowiedzialności za uszkodzenia wynikłe na skutek instalacji niezgodnej z informacjami podanymi w niniejszej instrukcji. Okap służy do zasysania oparów kuchennych i jest przeznaczony wyłącznie do użytku domowego.

- Należy zachować instrukcję obsługi aby móc z niej skorzystać w każdej chwili. W przypadku sprzedaży urządzenia lub przeprowadzki, należy upewnić się, że dołączono do niego instrukcję obsługi.
- Uważnie zapoznać się z treścią instrukcji obsługi, która dostarcza dokładne informacje dotyczące instalacji, użytkowania i pielęgnacji urządzenia..
- Nie dokonywać zmian elektrycznych czy mechanicznych w urządzeniu lub na przewodach odprowadzających.
- Przed przystąpieniem do montażu urządzenia należy sprawdzić czy któraś z jego części składowych nie jest uszkodzona. Jeśli tak, należy skontaktować się ze sprzedawcą i zaprzestać kontynuowania instalacji.

Minimalna odległość między powierzchnią, na której znajdują się naczynia na urządzeniu grzejnym a najniższą częścią okapu kuchennego powinna wynosić nie mniej niż 50cm w przypadku kuchenek elektrycznych i nie mniej niż 65cm w przypadku kuchenek gazowych lub typu mieszanego.

Jeżeli w instrukcji zainstalowania kuchni gazowej podana jest większa odległość, należy dostosować się do takich wskazań.

POŁĄCZENIE ELEKTRYCZNE

Napięcie sieciowe musi odpowiadać napięciu wskazanemu na tabliczce umieszczonej w wewnętrznej części okapu. Jeśli okap jest wyposażony we wtyczkę, należy ją podłączyć do gniazdka zgodnego z obowiązującymi normami i umieszczonego w łatwo dostępnym miejscu, również po zakończonej instalacji.

Jeśli okap nie jest wyposażony we wtyczkę (bezpośrednie podłączenie do sieci) lub wtyczka nie znajduje się w łatwo dostępnym miejscu, również po zakończonej instalacji, należy zastosować znormalizowany wyłącznik dwubiegunowy, który umożliwi całkowite odcięcie od sieci elektrycznej w warunkach nadprądowych kategorii III, zgodnie z zasadami instalacji.

⚠ UWAGA!

Przed ponownym podłączeniem obwodu okapu do zasilania i sprawdzeniem poprawności jego działania należy się zawsze upewnić, czy przewód zasilający jest prawidłowo zamontowany.

Jeżeli kabel nie jest wyposażony we wtyczkę, należy podłączyć przewody zgodnie z poniższą tabelą:

Napięcie sieciowe i jego częstotliwość

Sprawdzić wartość wskazaną na tabliczce danych, znajdujące się wewnątrz okapu.

Podłączenie przewodu



: żółty/zielony

N : niebieski

L : brązowy

Wymiana kabla zasilającego

Okap jest wyposażony w specjalny przewód zasilający.

W razie uszkodzenia tego przewodu, należy go zamówić w biurze obsługi serwisowej.

ODPROWADZANIE POWIETRZA

FILTRUJĄCY CZY ZASYSAJĄCY?

Wasz okap został zaprojektowany aby był używany wyłącznie w wersji filtrującej.

Zasysane powietrze jest oczyszczane z tłuszczu i zapachów zanim zostanie zwrócone do pomieszczenia przez kratki w górnej osłonie komina.

System filtrowania przewiduje filtr aktywnego węgla High Performance

Uwaga: w związku z jego właściwościami technicznymi, nie można używać okapu w wersji zasysającej.

Ważne! Aby rozpocząć instalację należy zastosować giętką rurę

Wersja filtrująca

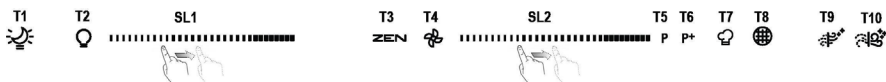
Aby używać okapu w tej wersji należy zainstalować filtr węglowy.

Można go kupić u sprzedawcy.

Zasysane powietrze jest oczyszczane z tłuszczu i zapachów zanim zostanie zwrócone do pomieszczenia przez kratki w górnej osłonie komina.

KOMENDY

Okap jest wyposażony w panel sterowania z regulacją prędkości turbiny zasysającej oraz włącznikiem oświetlenia przestrzeni roboczej pod okapem.



T1. WŁ./WYŁ. oświetlenie

T2. WŁ./WYŁ. oświetlenie płyty grzewczej – Wybór temperatury barwowej

T3. Obsługa w „Trybie ZEN”

T4. WŁĄCZANIE/ WYŁĄCZANIE silnika

T5. Funkcja „EKSTRA MOC 1”

T6. Funkcja „EKSTRA MOC 2”

T7. Tryb Automatyczny „Cook Sense”

T8. Wskaźnik nasycenia filtra

T9. WŁ./WYŁ. Tryb codzienny „Daily Air Sense”

T10. WŁ./WYŁ. Tryb intensywny „Intensive Air Sense”

T1. WŁ./WYŁ. OŚWIETLENIE

Nacisnąć, aby włączyć lub wyłączyć oświetlenie piekarnika.

T2. WŁ./WYŁ. OŚWIETLENIE PŁYTY GRZEWCZEJ – WYBÓR TEMPERATURY BARWOWEJ

Nacisnąć, aby włączyć lub wyłączyć oświetlenie płyty grzejnej.

• Aby ustawić intensywność światła, należy przesunąć palcem po pasku LED **SL1** w prawo lub w lewo, przy włączonym oświetleniu.

Aby ustawić temperaturę barwową podświetlenia

• Nacisnąć (i przytrzymać) ponownie,

• aby ustawić wyższą lub niższą temperaturę barwową światła, przesunąć palcem po pasku LED **SL1** w prawo lub w lewo.

Jeśli w ciągu pięciu sekund odcień nie zostanie zmieniony, **SL1** będzie migać w wybranym ustawieniu koloru i będzie słychać sygnał dźwiękowy informujący o zapisaniu tej konfiguracji przez system.

Uwaga: Oświetlenie włączy się z oświetleniem o intensywności ustawionej ostatnio przed jego wyłączeniem.

T3. OBSŁUGA W „TRYBIE ZEN”

Nacisnąć, by włączyć lub wyłączyć tryb **zasysania „ZEN”**.

Ta funkcja umożliwia uruchamianie prędkości zasysania przy zachowaniu doskonałej równowagi między niskim poziomem głośności, a wydajnością działania.

T4. WŁĄCZANIE/ WYŁĄCZANIE SILNIKA

Nacisnąć, aby włączyć lub wyłączyć **silnik zasysania**.

• Aby zwiększyć lub zmniejszyć prędkość zasysania, należy przy włączonym silniku, przesunąć palcem po pasku LED **SL2** w prawo lub lewo.

T5. FUNKCJA „EKSTRA MOC 1”

Przy włączonym silniku zasysania nacisnąć przycisk T5, aby włączyć prędkość **intensywnego zasysania „EKSTRA MOC 1”** (sterowana czasowo).

Uwaga: Po upływie pięciu minut okap powróci do pracy z poprzednio ustawioną prędkością.

T6. FUNKCJA „EKSTRA MOC 2”

Przy włączonym silniku zasysania nacisnąć przycisk T6, aby włączyć prędkość **intensywnego zasysania „EKSTRA MOC 2”** (sterowana czasowo).

Uwaga: Po upływie pięciu minut okap powróci do pracy z poprzednio ustawioną prędkością.

T7. TRYB AUTOMATYCZNY „COOK SENSE”

Jeśli czujnik okapu wykryje, że warunki otoczenia tego wymagają, prędkość zasysania (moc) okapu automatycznie wzrośnie do poziomu 1.

Jeśli warunki otoczenia nie zmieniają się, a okap działa już z prędkością zasysania 1, okap wyłączy się po upływie pięciu minut.

Uwaga: Aby uzyskać pewność, że funkcja ta jest używana prawidłowo, należy w pierwszej kolejności **skonfigurować parametry dla trybu automatycznego**, tak jak to opisano w odpowiednim rozdziale.

Uwaga: W przypadku zastosowania trybu automatycznego, przy każdej zmianie funkcji wpływających na prędkość, funkcja „Cook Sense” wyłączy się.

T8. WSKAŹNIKI NASYCENIA FILTRA

W regularnych odstępach czasu okap sygnalizuje konieczność konserwacji filtra.

Uwaga: Wskaźniki będą działać wyłącznie przy włączonym okapie.

Podświetlony przycisk **T8**: Wymagana konserwacja filtra przeciwtłuszczowego.

Migający przycisk **T8**: Wymagana konserwacja filtra węglowego.

Resetowanie wskaźników nasycenia filtra:

Uwaga: Ta operacja musi być wykonana przy wyłączonym okapie.

Nacisnąć i przytrzymać przycisk **T8**.

Uruchamianie wskaźnika nasycenia filtra z węglem aktywnym

Uwaga: Tę czynność należy wykonywać przy wyłączonym silniku zasysania.

Ten wskaźnik jest zwykle wyłączony– aby włączyć tę funkcję, nacisnąć i przytrzymać równocześnie przyciski **T3** i **T10**: Przyciski zaświecą się, sygnalizując, że funkcja została włączona.

Aby wyłączyć tę funkcję, należy ponownie nacisnąć i przytrzymać te same przyciski (**T3** i **T10**): Przyciski będą przez krótki czas migać, a następnie przestaną świecić, sygnalizując, że funkcja została wyłączona.

T9. WŁ./WYL. TRYB CODZIENNY „DAILY AIRSENSE”

Jeśli czujnik okapu wykryje, że warunki otoczenia tego wymagają, prędkość zasysania okapu automatycznie wzrośnie do poziomu 1.

Jeśli prędkość zasysania nie zmieni się pod wpływem wykrytych warunków otoczenia, okap wyłączy się po upływie dwóch godzin.

Niezależnie od wybranego trybu pracy, okap w każdym przypadku wyłączy się po upływie pięciu godzin użytkowania.

Uwaga: Aby uzyskać pewność, że funkcja ta jest używana prawidłowo, należy w pierwszej kolejności **skonfigurować parametry dla trybu automatycznego**, tak jak to opisano w odpowiednim rozdziale.

T10. WŁ./WYL. TRYB INTENSYWNY „INTENSIVE AIR SENSE”

Jeśli czujnik okapu wykryje, że warunki otoczenia tego wymagają, prędkość zasysania okapu automatycznie wzrośnie do poziomu 5.

Jeśli prędkość zasysania nie zmieni się pod wpływem wykrytych warunków otoczenia, okap wyłączy się po upływie dwóch godzin.

Niezależnie od wybranego trybu pracy, okap w każdym przypadku wyłączy się po upływie pięciu godzin użytkowania.

Uwaga: Aby uzyskać pewność, że funkcja ta jest używana prawidłowo, należy w pierwszej kolejności **skonfigurować parametry dla trybu automatycznego**, tak jak to opisano w odpowiednim rozdziale.

KONFIGURACJA PARAMETRÓW TRYBU AUTOMATYCZNEGO

Aby upewnić się, że tryb automatyczny jest stosowany prawidłowo, należy skalibrować okap i wybrać rodzaj płyty grzewczej.

Kalibrowanie okapu

Uwaga: Czynność tę należy wykonywać przy urządzeniu w trybie gotowości, tj. minutę po wyłączeniu silnika.

Nacisnąć i przytrzymać przez pięć sekund przycisk **T4**.

Prędkość zasysania 1 zostanie uruchomiona, a przycisk **T4** zaświeci się, sygnalizując rozpoczęcie kalibracji okapu (proces ten potrwa około 15 minut).

Uwaga: Aby zakończyć proces kalibracji, nacisnąć i przytrzymać przez pięć sekund przycisk **T4**. Kalibracja zostanie wówczas unieważniona i będzie trzeba ją powtórzyć.

Uwaga: Kalibracja zostanie przeprowadzona automatycznie po pierwszym podłączeniu produktu do źródła zasilania. Będzie migać przycisk **T4**. Odczekać 15 minut do zakończenia procesu kalibracji.

Wybór rodzaju płyty grzewczej

Uwaga: czynność tę należy wykonywać przy urządzeniu w trybie gotowości, tj. minutę po wyłączeniu silnika.

Nacisnąć i przytrzymać przez pięć sekund przyciski **T9** i **T10**.

Zaświecą się przyciski **T9** i **T10**.

W przypadku płyty grzewczej zasilanej gazem, nacisnąć przycisk **T9** – przycisk będzie migać, sygnalizując wybór.

W przypadku płyty grzewczej zasilanej energią elektryczną, nacisnąć przycisk **T10** – przycisk będzie migać, sygnalizując wybór.

Po naciśnięciu przycisk będzie migał przez trzy sekundy, informując o zapisaniu wyboru.

KONSERWACJA

Czyszczenie

Do czyszczenia używać **WYŁĄCZNIE** szmatki nawilżonej płynnymi neutralnymi środkami czyszczącymi. **DO CZYSZCZENIA NIE NALEŻY UŻYWAĆ NARZĘDZI ANI PRZYRZĄDÓW!** Unikać stosowania produktów zawierających środki ściernie. **NIE STOSOWAĆ ALKOHOLU!**

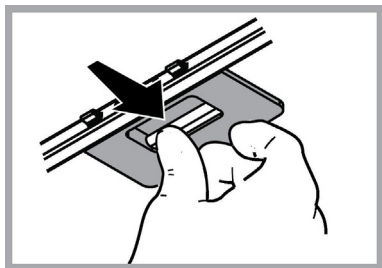
Konserwacja filtrów przeciwłuszczowych

Zatrzymuje cząstki tłuszczu pochodzące z gotowania.

Musi być czyszczony co najmniej raz w miesiącu (lub gdy wskaźnik zanieczyszczenia filtrów – jeżeli wasz model okapu posiada wskaźnik – informuje o konieczności jego wymiany), za pomocą nieagresywnego środka czyszczącego, ręcznie lub w zmywarce w niskiej temperaturze i krótkim cyklu mycia.

Podczas mycia w zmywarce metalowy filtr tłuszczowy może się odbarwić, ale nie zmienia się jego charakterystyczne cechy filtrujące.

Aby wyjąć filtr tłuszczowy należy pociągnąć za klamkę sprężynową.



Konserwacja filtra węglowego

Zatrzymuje przykre zapachy pochodzące z gotowania.

Nasylenie filtra węglowego weryfikuje się mniej więcej po przedłużonym stosowaniu, w zależności od rodzaju kuchni i regularności czyszczenia filtra tłuszczowego. W każdym razie należy wymienić wkład przynajmniej raz na 5 lat.

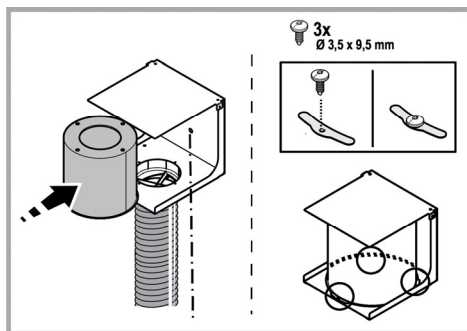
NIE może być myty ani regenerowany.

Aby uzyskać doskonale wydajności zasysania, filtr jest większy od filtrów standardowych i jest zainstalowany na podporze powyżej okapu.

Montaż lub wymiana filtra węglowego

1. Odłączyć urządzenie od zasilania.
2. Włożyć cylindryczny filtr do środka wspornika.
3. Przycocować filtr śrubami i płytami dostarczonymi z urządzeniem.

W celu wyjęcia należy postępować w odwrotnej kolejności.



Wymiana żarówek

Okap zaopatrzony jest w system oświetlenia, który bazuje się na technologii LED.

LED gwarantują optymalne oświetlenie, trwałość 10 razy większą od lamp tradycyjnych i pozwalają zaoszczędzić 90% energii elektrycznej.


Aby wymienić lampy, należy skontaktować się z autoryzowanym centrum obsługi w sprawie części zamiennych.

ZŁOMOWANIE

Niniejsze urządzenie posiada oznaczenia zgodnie z Dyrektywą Unijną 2012/19/EC w sprawie zużytego sprzętu elektrycznego i elektronicznego (WEEE).

Zapewniając prawidłowe złomowanie niniejszego urządzenia, przyczynią się Państwo do ograniczenia ryzyka wystąpienia negatywnego wpływu produktu na środowisko i zdrowie ludzi, które mogłyby zaistnieć w przypadku niewłaściwej utylizacji urządzenia.



Symbol  na urządzeniu lub opakowaniu oznacza, że tego produktu nie można traktować jak innych odpadów komunalnych. Należy oddać go do właściwego punktu zbiórki i recyklingu sprzętów elektrycznych i elektronicznych.

Właściwa utylizacja i złomowanie pomaga w eliminacji niekorzystnego wpływu złomowanych urządzeń na środowisko oraz zdrowie. Aby uzyskać szczegółowe dane dotyczące możliwości recyklingu niniejszego urządzenia, należy skontaktować się z lokalnym urzędem miasta, służbami oczyszczania miasta lub sklepem, w którym produkt został zakupiony.

Urządzenie zostało zaprojektowane, przetestowane i wyprodukowane zgodnie z następującymi warunkami:

- Bezpieczeństwo: EN/IEC 60335-1; EN/IEC 60335-2-31; EN/IEC 62233.
- Wydajność: EN/IEC 61591; ISO 5167-1; ISO 5167-3; ISO 5168; EN/IEC 60704-1; EN/IEC 60704-2-13; EN/IEC 60704-3; ISO 3741; EN 50564; IEC 62301.
- EMC: EN 55014-1; CISPR 14-1; EN 55014-2; CISPR 14-2; EN/IEC 61000-3-2; EN/IEC 61000-3-3.

Sugestie dotyczące prawidłowego użytkowania w celu zmniejszenia wpływu na środowisko:

Włączyć okap na minimalne obroty w momencie rozpoczęcia gotowania i zostawić go włączony przez kilka minut po zakończeniu gotowania. Zwiększać obroty jedynie w przypadku dużej ilości dymu i pary oraz używać wysokich obrotów tylko w ekstremalnych sytuacjach. W razie potrzeby wymienić filtr/filtry węglowe, aby utrzymać dobrą skuteczność redukcji zapachów. W razie konieczności wyczyścić filtr/filtry smaru, aby utrzymać dobrą wydajność filtra smaru. Używać maksymalnej średnicy systemu wentylacyjnego wskazanej w niniejszej instrukcji, w celu optymalizacji wydajności i minimalizacji hałasu.

NIEPRAWIDŁOŚCI FUNKCJONOWANIA

Jeśli wydaje się, że coś nie działa prawidłowo, przed wezwaniem Serwisu Technicznego, należy wykonać następujące proste kontrole:

- Jeśli okap nie działa:
Sprawdzić czy:
 - nie nastąpiło przerwanie dopływu prądu.
 - została wybrana jakaś prędkość działania.
- Jeśli okap ma słabą wydajność:
Sprawdzić czy:
 - Wybrana prędkość silnika jest wystarczająca dla uwolnionej ilości dymu i oparów.
 - Kuchnia jest wystarczająco przewietrzona pozwalając na pobór powietrza.
 - Filtr węglowy nie jest zużyty (okap w wersji filtrującej).
- Jeśli okap wyłączył się w trakcie normalnego funkcjonowania:
Sprawdzić czy:
 - nie nastąpiło przerwanie dopływu prądu.
 - nie wyskoczył główny wyłącznik.

W przypadku ewentualnych nieprawidłowości działania, przed wezwaniem Serwisu Technicznego, należy przez przynajmniej 5 sekund odłączyć urządzenie od zasilania elektrycznego poprzez wyciągnięcie wtyczki a następnie ponownie je podłączyć. Jeśli nieprawidłowości dalej będą miały miejsce, należy zwrócić się do Serwisu Technicznego.

DANE TECHNICZNE

Wysokość (cm)	Szerokość (cm)	Głębokość (cm)	Średnica przewodu odprowadzającego (cm)
110-129,5	89,8	32	15

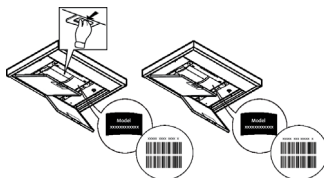


Komponenty niebędące na wyposażeniu razem z produktem



Instrukcje bezpieczeństwa, instrukcję obsługi, kartę produktu oraz parametry poboru energii można pobrać:

- Odwiedzając naszą stronę internetową docs.whirlpool.eu
- Używając kodu QR
- Można również **skontaktować się z Centrum pomocy technicznej** (Patrz numer telefonu na karcie gwarancyjnej). Kontaktując się z naszym serwisem technicznym, należy podać kody z tabliczki znamionowej urządzenia.



SIGURANȚĂ GENERALĂ

- Înainte de orice operațiune de curățare sau de întreținere, deconectați hota de la rețea prin scoaterea ștecherului sau deconectați sursa de alimentare cu energie.
- Purtați întotdeauna mănuși de lucru pentru toate operațiunile de instalare și întreținere.
- Acest aparat poate fi folosit de copii cu vârsta peste 8 ani și persoane cu capacități fizice, senzoriale sau mentale reduse sau lipsite de experiență și cunoștințe, dacă sunt sub supraveghere și au fost instruite cu privire la utilizarea aparatului în condiții de siguranță și înțeleg riscurile implicate.
- Copiiiilor nu trebuie să li se permită să manipuleze comenzile sau să se joace cu aparatul.
- Curățarea și întreținerea nu se face de către copii fără supraveghere.
- Locul în care este instalat aparatul trebuie să fie ventilat suficient, în cazul în care hota de bucătărie se utilizează împreună cu alte dispozitive de ardere a gazelor sau a altor combustibili.
- Hota trebuie să fie curățată în mod regulat atât în interior cât și în exterior (cel puțin o dată pe lună).
- Trebuie să se respecte în mod expres ceea ce este indicat în Instrucțiunile de întreținere.
- Defectarea capotei de curățare a aparatului, schimbarea și curățarea filtrelor poate provoca incendii.
- Gătirea alimentelor cu foc cu flacără direct sub hotă este strict interzisă.
- Pentru înlocuirea becurilor, utilizați numai tipul de becuri indicat în secțiunea **Întreținere/Înlocuirea becurilor** din acest manual.

Utilizarea flăcării este dăunătoare filtrelor și poate provoca risc de incendiu; prin urmare, trebuie evitată în orice situație. Orice prăjire trebuie să se facă cu grijă, pentru a se asigura că uleiul nu se supraîncălzeste și aprinde.

AVERTISMENT: Părțile accesibile ale hotei pot deveni fierbinti pe durata utilizării.

- Nu conectați aparatul la rețeaua electrică până când instalarea este până când instalarea nu este complet terminată.
- În ceea ce privește măsurile tehnice și de siguranță care trebuie adoptate pentru evacuarea fumului, este important să se urmărească îndeaproape normele locale.
- Sistemul de evacuare a fumului pentru acest aparat nu trebuie să fie conectat la nici un sistem de ventilație existent care este folosit în alte scopuri, cum ar fi evacuarea gazelor de ardere rezultate de la aparatele consumatoare de gaz sau alți combustibili.
- Nu folosiți și nu lăsați hota fără bec montat corect din cauza riscului de electrocutare.
- Nu folosiți niciodată hota fără ca acestea să aibă grilele montate în mod eficient.
- Hota nu trebuie utilizată NICIODATĂ ca suprafață de sprijin dacă acest lucru nu este precizat în mod expres.
- Folosiți numai șuruburile de fixare furnizate împreună cu produsul pentru instalare sau, în cazul în care nu sunt incluse, achiziționați tipul corespunzător de șuruburi.
- Utilizați lungimea corectă pentru șuruburile identificate în Ghidul de instalare.
- În caz de incertitudine, consultați un centru de asistență service autorizat sau o persoană cu calificare corespunzătoare.

▲ ATENȚIE!

- Neinstalarea șuruburilor sau a dispozitivului de fixare în conformitate cu aceste instrucțiuni poate duce la pericolul de natură electrică.
- Nu utilizați cu un temporizator, timer, o telecomandă separată sau orice alt dispozitiv care este activat automat.

Nu permiteți copiilor cu vârstă sub 3 ani să se apropie de aparat. Nu lăsați aparatul la îndemâna copiilor cu vârstă sub 8 ani, decât sub supravegherea continuă a unui adult.

⚠ ATENȚIE: aparatul nu este destinat punerii în funcțiune prin intermediul unui dispozitiv extern sau al unui sistem separat de comandă de la distanță.

⚠ Acest aparat nu este destinat uzului profesional. Nu utilizați aparatul în aer liber.

⚠ Pentru a evita pericolul de accidentare, aparatul trebuie să fie manevrat și instalat de două sau mai multe persoane.

⚠ Operațiunile de instalare, inclusiv eventualele racordări la linia de alimentare cu apă (dacă sunt prevăzute) și legăturile electrice, precum și lucrările de reparație trebuie să fie efectuate de personal calificat.

După terminarea operațiunilor de instalare, nu lăsați materialele folosite pentru ambalare (bucăți din plastic, polistiren etc.) la îndemâna copiilor, pentru a evita pericolul de sufocare.

Nu folosiți aparatul dacă aveți părți ale corpului umede sau dacă sunteți desculți.

Nu folosiți niciodată aparate de curățat cu aburi - pericol de electrocutare.



Materialele folosite pentru ambalare sunt 100% reciclabile și sunt marcate cu simbolul de reciclare

Hota poate fi din punct de vedere estetic diferită față de cea ilustrată în desenele acestui manual, totuși instrucțiunile de utilizare, întreținere și instalare rămân aceleași.

Urmăriți îndeaproape instrucțiunile conținute în acest manual. Producătorul își declină orice responsabilitate în cazul daunelor sau incendiilor provocate aparatului și derivate dintr-o utilizare incorectă și din nerespectarea instrucțiunilor conținute în acest manual. Hota a fost proiectată pentru aspirarea gazelor arse și vaporilor rezultați în urma gătirii alimentelor și este destinată doar utilizării casnice.

- Este important să păstrați acest manual pentru a-l putea consulta în orice moment. În caz de vânzare, cesiune sau mutare, asigurați-vă că acesta rămâne împreună cu produsul.
- Citiți cu atenție instrucțiunile: există informații importante privind instalarea, utilizarea și siguranța.
- Nu efectuați modificări de tip electric sau mecanic asupra produsului sau asupra țevilor de evacuare.
- Înainte de instalarea aparatului, verificați dacă toate componentele nu sunt deteriorate. În caz contrar, contactați furnizorul și nu continuați cu instalarea.

Distanța minimă între suprafața suportului recipientelor pe dispozitivul de gătit și partea de jos a hotei nu trebuie să fie mai mică de 50cm în cazul mașinilor de gătit electrice și de 65cm în cazul mașinilor de gătit cu gaz sau mixte.

Dacă instrucțiunile dispozitivului de gătit cu gaz specifică o distanță mai mare, este necesar să țineți cont de aceasta.

CONEXAREA ELECTRICĂ

Tensiunea din rețea trebuie să corespundă cu tensiunea la care se referă eticheta situată în interiorul hotei. Dacă este prevăzută cu ștecher conectați hota la o priză conform cu normele în vigoare, poziționată într-o zonă accesibilă și după instalare. Dacă nu este prevăzută cu ștecher (conexiunea este direct la rețea) sau ștecherul nu este poziționat într-o zonă accesibilă și după instalare, aplicați un întrerupător bipolar la normă care să asigure deconectarea completă de la rețea în condițiile categoriei de supratensiune III, conform regulilor de instalare.

⚠ ATENȚIE!


Înainte de a efectua conectarea circuitului hotei la alimentația din rețea și de a verifica funcționarea corectă, controlați întotdeauna dacă cablul a fost montat în mod corect.

În cazul în care cablul nu este prevăzută cu unștecher, conectați-l respectând datele din următorul tabel:

Tensiunea și frecvența rețelei electrice

Consultați valoarea indicată pe eticheta cu caracteristici, aplicată în interiorul hotei.

Conexiune cablu

 : galben/verde

N : albastru

L : maro

Inlocuirea cablului de alimentare

Hota este prevăzută cu un cablu de alimentare special; în cazul deteriorării acestuia, apălați la serviciul de asistență tehnică.

EVACUAREA AERULUI

FILTRANTA SAU CU VENTILATIE ?

Hota dumneavoastră a fost proiectată pentru a fi utilizată numai în versiune filtrantă

Aerul aspirat va fi degresat și dezodorizat înainte de a fi reintrodus în cameră.

Sistemul de filtrare prevede un filtru cu cărbune activ High Performance

Notă: având în vedere caracteristicile sale tehnice, nu este posibilă utilizarea hotei în modul aspirație

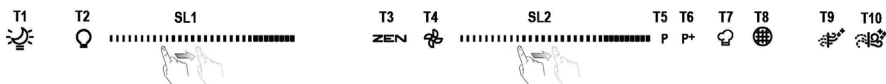
Important! Pentru a trece instalarea, este necesară utilizarea unui tip de tub flexibil

Versiunea filtrantă

Aerul aspirat va fi degresat și dezodorizat înainte de a fi reintrodus în cameră. Pentru a utiliza hota în această versiune este necesar să instalați un sistem de filtrare suplimentar pe bază de carbon activ.

COMENZI

Hota este dotată cu un panou de comandă, de la care se modifică viteza de aspirație și se declanșează aprinderea becurilor pentru iluminarea blatului de aragaz.



T1. APRINDEREA/STINGEREA luminii de noapte

T2. APRINDEREA/STINGEREA luminii plitei – Selectați temperatura de culoare

T3. Funcționarea „Mod ZEN”

T4. PORNIREA/OPRIREA motorului

T5. Funcția „PUTERE AUXILIARĂ 1”

T6. Funcția „PUTERE AUXILIARĂ 2”

T7. Mod automat „Cook Sense”

T8. Indicator de semnalizare a saturației filtrului

T9. PORNIREA/OPRIREA modului de funcționare „Air Sense zilnic”

T10. PORNIREA/OPRIREA modului de funcționare „Air Sense intensiv”

T1. APRINDEREA/STINGEREA LUMINII DE NOAPTE

Apăsați pentru a aprinde sau stinge iluminarea difuză de fundal.

T2. APRINDEREA/STINGEREA LUMINII PLITEI – SELECTAȚI TEMPERATURA DE CULOARE

Apăsați pentru a aprinde sau stinge luminile plitei.

• Cu luminile aprinse, folosiți degetul pentru a trage către dreapta sau către stânga peste banda cu LED-uri **SL1**, pentru a crește sau reduce intensitatea luminii.

Pentru a seta temperatura de culoare a iluminării

• Apăsați (și mențineți) apăsat,

• folosind degetul pentru a trage către dreapta sau către stânga peste banda cu LED-uri **SL1** pentru a seta intensitatea luminii în nuanțe mai reci sau mai calde.

Dacă nu modificați culoarea timp de cinci secunde, **SL1** se va aprinde intermitent în dreptul setării culorii selectate și se va emite un semnal sonor pentru a indica faptul că sistemul a salvat această configurație.

Vă rugăm să rețineți: Lumina se va aprinde cu ultima intensitate setată înainte de a opri aparatul.

T3. FUNCȚIONAREA „MOD ZEN”

Apăsați pentru a activa sau dezactiva modul de **aspirație „ZEN”**.

Această funcție permite activarea unei viteze de aspirație care reprezintă echilibrul perfect dintre silențiozitate și eficiență a aspirației.

T4. PORNIREA/OPRIREA MOTORULUI

Apăsați pentru a porni sau opri **motorul de aspirație**.

• Cu motorul pornit, folosiți degetul pentru a trage către dreapta sau către stânga peste banda cu LED-uri **SL2** pentru a crește sau reduce viteza de aspirație.

T5. FUNCȚIA „PUTERE AUXILIARĂ 1”

Cu motorul de aspirație pornit, apăsați T5 pentru a activa viteza pentru aspirația intensivă „PUTERE AUXILIARĂ 1” (controlată în timp).

Vă rugăm să rețineți: după cinci minute, hota va reveni la viteza de funcționare utilizată anterior.

T6. FUNCȚIA „PUTERE AUXILIARĂ 2”

Cu motorul de aspirație pornit, apăsați T6 pentru a activa viteza pentru aspirația intensivă „PUTERE AUXILIARĂ 2” (controlată în timp).

Vă rugăm să rețineți: după cinci minute, hota va reveni la viteza de funcționare utilizată anterior.

T7. MOD AUTOMAT „COOK SENSE”

Hota va mări în mod automat viteza de aspirație la 1 dacă senzorul său detectează această necesitate în condițiile ambientale curente.

În cazul în care condițiile ambientale nu se modifică, iar hota utilizează deja viteza de aspirație 1, hota se va opri după cinci minute.

Vă rugăm să rețineți: pentru a vă asigura că această funcție este utilizată corect, vă rugăm să **configurați mai întâi parametrii pentru modul automat**, conform descrierii din secțiunea corespunzătoare.

Vă rugăm să rețineți: când utilizați modul automat, dacă modificați oricare dintre funcțiile care controlează viteza, funcția „Cook Sense” se va dezactiva.

T8. INDICATORII DE SATURAȚIE AI FILTRULUI

La intervale regulate, hota semnalizează necesitatea de a efectua întreținerea filtrului.

Vă rugăm să rețineți: Indicatorii vor funcționa atunci când hota este pornită.

Butonul **T8** aprins: Efectuați întreținerea filtrului pentru grăsime.

Butonul **T8** clipește: Efectuați întreținerea filtrului de carbon.

Resetarea indicatorilor de semnalizare a saturației filtrului:

Vă rugăm să rețineți: Această operație trebuie efectuată cu hota pornită.

Apăsați și mențineți apăsat butonul **T8**.

Activarea indicatorului de semnalizare a saturației filtrului de carbon

Vă rugăm să rețineți: Această operație trebuie efectuată cu motorul de aspirație oprit.

Acest indicator este, de regulă, dezactivat – apăsați și mențineți apăstate butoanele **T3** și **T10** simultan pentru a activa funcția: Butoanele se vor aprinde pentru a indica activarea.

Pentru a dezactiva funcția, apăsați și mențineți apăstate aceleași butoane (**T3** și **T10**) din nou: Butoanele vor clipi pentru scurt timp, apoi se vor stinge pentru a indica dezactivarea.

T9. PORNIREA/OPRIREA MODULUI DE FUNCȚIONARE „AIR SENSE ZILNIC”

Hota va mări în mod automat viteza de aspirație la 1 dacă senzorul său detectează această necesitate în condițiile ambientale curente.

Dacă viteza de aspirație nu se modifică în conformitate cu condițiile ambientale detectate, hota se va opri după două ore.

În orice caz, hota se va opri după cinci ore de utilizare, indiferent de modul de funcționare.

Vă rugăm să rețineți: pentru a vă asigura că această funcție este utilizată corect, vă rugăm să **configurați mai întâi parametrii pentru modul automat**, conform descrierii din secțiunea corespunzătoare.

T10. PORNIREA/OPRIREA MODULUI DE FUNCȚIONARE „AIR SENSE INTENSIV”

Hota va mări în mod automat viteza de aspirație la 5 dacă senzorul său detectează această necesitate în condițiile ambientale curente.

Dacă viteza de aspirație nu se modifică în conformitate cu condițiile ambientale detectate, hota se va opri după două ore.

În orice caz, hota se va opri după cinci ore de utilizare, indiferent de modul de funcționare.

Vă rugăm să rețineți: pentru a vă asigura că această funcție este utilizată corect, vă rugăm să **configurați mai întâi parametrii pentru modul automat**, conform descrierii din secțiunea corespunzătoare.

CONFIGURAREA PARAMETRILOR PENTRU MODUL AUTOMAT

Pentru a vă asigura că modul automat este utilizat corect, va trebui să calibrați hota și să selectați tipul de plită.

Calibrarea hotei

Vă rugăm să rețineți: această operație trebuie efectuată cu aparatul în modul Standby, adică la un minut după oprirea motorului.

Apăsați și mențineți apăsat butonul **T4** timp de cinci secunde.

Viteza de aspirație 1 se va activa, iar butonul **T4** va clipi pentru a indica faptul că a început calibrarea hotei (aceasta va dura aproximativ 15 minute).

Vă rugăm să rețineți: Pentru a opri procesul de calibrare, apăsați și mențineți apăsat butonul **T4** timp de cinci secunde. Astfel, calibrarea nu va fi valabilă și va trebui să repetați procesul.

Vă rugăm să rețineți: Calibrarea va fi efectuată automat atunci când sursa de alimentare a produsului este pornită pentru prima dată. **T4** va clipi. Așteptați 15 minute pentru a se finaliza calibrarea.

Selectarea tipului de plită

Vă rugăm să rețineți: această operație trebuie efectuată cu aparatul în modul Standby, adică la un minut după oprirea motorului.

Apăsați și mențineți apăsat butoanele **T9** și **T10** timp de cinci secunde.

Butoanele **T9** și **T10** se vor aprinde.

Dacă dețineți o plită pe gaz, apăsați butonul **T9** – butonul va clipi pentru a indica faptul că a fost selectată această opțiune.

Dacă dețineți o plită electrică, apăsați butonul **T10** – butonul va clipi pentru a indica faptul că a fost selectată această opțiune.

Odată apăsat, butonul va clipi timp de trei secunde pentru a indica faptul că selecția dumneavoastră a fost salvată.

ÎNTREȚINEREA

Curățarea

Pentru curățare folosiți **EXCLUSIV** un material îmbibat cu detergenți lichizi neutri. **NU UTILIZAȚI UNELTE SAU INSTRUMENTE PENTRU CURĂȚARE!** Evitați folosirea produselor pe bază de abrazivi **NU FOLOSIȚI ALCOOL!**

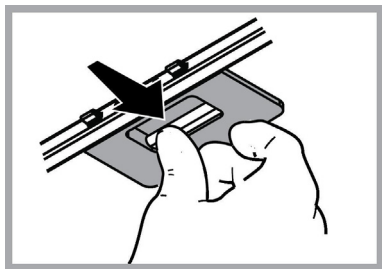
Întreținere filtri antigrăsimi

Captează particulele de grăsime care apar în timpul pregătirii alimentelor.

Trebuie să fie curățat o dată pe lună (sau când sistemul de semnalare a saturației filtrelor – dacă modelul dvs. este prevăzut – indică această necesitate), cu detergenți neabrazivi, manual sau utilizând mașina de spălat vase, la temperaturi scăzute și folosind un program scurt.

Filtrul metallic anti-grăsime, spălat cu mașina de spălat vase se poate decolora, dar nu-și va pierde caracteristicile de filtrare.

Pentru demontarea filtrului trageți mânerul de prindere cu resort.



Întreținere filtru cu cărbune activ

Reține mirosurile neplăcute, derivate în urma procesului de gătire a alimentelor.

Saturarea filtru cu carbune are loc după o utilizare mai mult sau mai puțin prelungită, în funcție de tipul de gătit și regularitatea curățării filtrului anti-grăsime.

În orice caz, trebuie să înlocuiți cartușul cu cel puțin o dată la 5 ani.

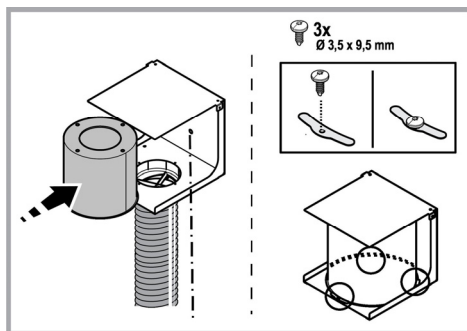
NU poate fi spălat sau regenerat

Pentru a obține performanțe excelente de aspirare, filtrul este mai mare decât filtrele standard și este instalat pe un suport deasupra hotei.

Montarea sau înlocuirea filtrului de carbon

1. Deconectați hota de la rețeaua electrică.
2. Introduceți filtrul cilindric în interiorul suportului.
3. Fixați filtrul cu șuruburile și plăcile furnizate împreună cu aparatul.

Procedați în ordine inversă pentru demontare.



Înlocuirea becurilor

Hota este dotată cu un sistem de iluminare bazat pe tehnologia LED.

LEDURILE garantează o iluminare optimă, o durată de până la 10 ori mai mare față de becurile tradiționale și permit economisirea a 90% de energie electrică.


Pentru înlocuirea becurilor, contactați centrul de service autorizat pentru piese de schimb.

ELIMINARE

Acest aparat este marcat în conformitate cu Directiva Europeană 2012/19/EC referitoare la Deșeurile de Echipament Electric și Electronic (WEEE).

Asigurându-vă că acest produs este eliminat în mod corect, contribuiți la prevenirea potențialelor consecințe negative asupra mediului înconjurător și sănătății persoanelor, consecințe care ar putea fi provocate de aruncarea necorespunzătoare la gunoi a acestui produs.



Simbolul  de pe produs, sau de pe documentele care însoțesc produsul, indică faptul că acesta nu poate fi aruncat împreună cu deșeurile menajere. Trebuie predat la punctul de colectare corespunzător, pentru reciclarea echipamentului electric și electronic.

Aruncarea la gunoi a aparatului trebuie făcută în conformitate cu normele locale pentru eliminarea deșeurilor. Pentru informații mai detaliate privind eliminarea, valorificarea și reciclarea acestui produs, vă rugăm să contactați administrația locală, serviciul de eliminare a deșeurilor menajere sau magazinul de unde ați cumpărat produsul.

Aparat proiectat, testat și fabricat în conformitate cu:

- Siguranță: EN/IEC 60335-1; EN/IEC 60335-2-31, EN/IEC 62233.
- Randament: EN/IEC 61591; ISO 5167-1; ISO 5167-3; ISO 5168; EN/IEC 60704-1; EN/IEC 60704-2-13; EN/IEC 60704-3; ISO 3741; EN 50564; IEC 62301.
- EMC: EN 55014-1; CISPR 14-1; EN 55014-2; CISPR 14-2; EN/IEC 61000-3-2; EN/IEC 61000-3-3.

Recomandări pentru o utilizare corespunzătoare în scopul reducerii impactului asupra mediului: Când începeți să gătiți, porniți hota la viteză minimă și lăsați-o să funcționeze timp câteva minute după ce ați terminat de gătit. Măriți viteza în cazul cantităților mari de fum sau vapori și utilizați viteza/ele sporită/e doar în cazuri extreme. Înlocuiți filtrul/ele de carbon, atunci când este necesar, pentru a menține o eficiență optimă de reducere a mirosului. Curățați filtrul/ele de grăsime, atunci când este necesar, pentru a menține o eficiență optimă a filtrului. Utilizați diametrul maxim al sistemului de conducte indicat în acest manual pentru a optimiza eficiența și pentru a reduce la minimum nivelul de zgomot.

ANOMALII DE FUNCȚIONARE

Dacă ceva nu pare să funcționeze, înainte de a face un apel la Serviciul de Asistență, efectuați următoarele verificări simple:

- Dacă hota nu funcționează:
Verificați dacă:
 - nu este vorba de o pană de curent.
 - a fost selecționată o viteză.
- Dacă hota are un randament redus: Verificați dacă:
 - Viteza selecționată pentru motor este suficientă pentru cantitatea de fum și vapori care este eliberată.
 - Bucătăria este aerată suficient pentru a permite priza de aer.
 - Filtrul cu cărbune nu este consumat (hota în versiunea filtrantă).
- Dacă hota s-a oprit în timpul funcționării normale: Verificați dacă:
 - nu este vorba de o pană de curent.
 - dispozitivul de comutare nu s-a decuplat.

În caz de defecțiuni, înainte de a contacta Serviciul de Asistență Tehnică, deconectați timp de cel puțin 5 sec. aparatul trăgând de stecher și apoi conectați-l din nou. În cazul în care defecțiunea persistă, contactați Serviciul de asistență.

CARACTERISTICI TEHNICE

Înălțime (cm)	Lățime (cm)	Adâncime (cm)	Ø tubului de evacuare (cm)
110-129,5	89,8	32	15

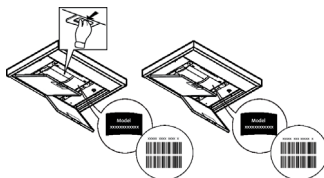


Componentele nu sunt furnizate împreună cu produsul



Puteți descărca instrucțiunile privind siguranța, manualul de utilizare, fișa tehnică a produsului și datele energetice:

- Vizitând site-ul nostru web docs.whirlpool.eu
- Utilizând codul QR
- Ca alternativă, **contactați serviciul nostru de asistență tehnică post-vânzare** (consultați numărul de telefon din certificatul de garanție). Când contactați serviciul nostru de asistență tehnică post-vânzare, vă rugăm să precizați codurile specificate pe plăcuța cu date de identificare a produsului dumneavoastră.



ОБЩИЕ ПРАВИЛА ТЕХНИКИ БЕЗОПАСНОСТИ

- Перед началом какой либо операции по чистке или обслуживанию, отключить вытяжку от электрической сети, вынимая вилку из розетки или отключая общий выключатель помещения. Для всех операций по установке и обслуживанию использовать рабочие перчатки.
- Прибор может быть использован детьми не младше 8 лет и лицами со сниженными физическими, сенсорными или умственными способностями, или же с недостаточным опытом, если находятся под контролем, или если были обучены использовать прибор безопасным образом и если понимают связанные с этим опасности.
- Дети должны быть под контролем и не должны играть с прибором.
- Операции по чистке и обслуживанию не должны проводиться детьми без надзора
- Помещение должно иметь достаточную вентиляцию, когда кухонная вытяжка используется одновременно с другими приборами, работающими на газе или других топливах.
- Вытяжка должна часто очищаться как внутри, так и снаружи (ХОТЯ БЫ ОДИН РАЗ В МЕСЯЦ), придерживаясь того, что указано в инструкциях по обслуживанию.
- Несоблюдение норм чистки вытяжки и замены и чистки фильтров увеличивает риск возгорания.

Строго запрещено приготовление еды на открытом огне под вытяжкой.

- Для замены лампочки освещения использовать только тип лампочки указанный в разделе обслуживания/замены лампочки этого руководства.

Использование открытого пламени наносит ущерб фильтрам и может привести к загораниям, поэтому должно избегаться в любом случае.

Жаренье должно проводиться под надзором, чтобы избежать возможности возгорания раскаленного подсолнечного масла.

ВНИМАНИЕ: Когда варочная поверхность работает, доступные части вытяжки могут нагреваться.

- Не подключать прибор к электрической сети до тех пор, пока установка полностью не закончена.

• То что касается технических мер и мер безопасности в применении до сброса паров строго придерживаться того что предусматривается по нормам локальных компетентных органов.

• Всасываемый воздух не должен выпускаться в трубу, используемую для выбросов дымов приборами, работающими на газе или других топливах.

• Не использовать или оставлять вытяжку без лампочек правильно установленных с риском получить удар электрическим током.

• Никогда не использовать вытяжку без правильно установленной решётки!

• Вытяжка НИКОГДА не должна использоваться, как опорная поверхность, если только не указано иначе.

• Использовать только винты для фиксирования в комплекте с продуктом для установки или, если нет в комплекте, приобрести винты правильного типа.


• Использовать правильную длину винтов, указанную в руководстве по установке.


• В случае сомнений, консультироваться в авторизованном центре по обслуживанию или с квалифицированным персоналом.

ВНИМАНИЕ!


- Не установка соответствующих винтов и приспособлений для фиксирования в соответствии с этими инструкциями может привести к рискам электрического происхождения.
- Не используйте устройство с программатором, таймером, отдельным пультом дистанционного управления или любым другим устройством, которое включается автоматически.

Не подпускайте к прибору детей младше 3 лет. Без постоянного надзора со стороны взрослых к прибору нельзя допускать детей младше 8 лет.

 **ВНИМАНИЕ:** прибор не предназначен для включения при помощи внешних устройств или отдельного дистанционного управления.

 Этот прибор не предназначен для профессионального применения. Не используйте прибор вне помещений.

 Во избежание травм, прибор должен перемещаться и устанавливаться силами не менее двух человек.

 Установка, включая подключение водопроводной сети (если такое предусмотрено) и электрические соединения, а также ремонтные операции, должны выполняться квалифицированными специалистами.

По завершении установки, храните упаковочные материалы (пластиковые, полистироловые детали и т.п.) в недоступном для детей месте во избежание инцидентов с удушьем.

Не пользуйтесь прибором, будучи мокрыми или с босыми ногами.

Никогда не применяйте прибор для чистки паром - риск удара электрическим током.

Упаковочный материал может на 100% использоваться вторично и маркирован соответствующим значком вторпереработки



Вытяжка может иметь дизайн, отличающийся от вытяжки показанной на рисунках данного руководства, тем не менее, руководство по эксплуатации, техническое обслуживание и установка остаются те же.

Изделие хозяйственно-бытового назначения. Производитель снимает с себя всякую ответственность за неполадки, ущерб или пожар, которые возникли при использовании прибора вследствие несоблюдения инструкций, приведенных в данном руководстве. Вытяжка служит для всасывания дыма и пара при приготовлении пищи и предназначена только для бытового использования.

- Очень важно сохранить эту инструкцию, чтобы можно было обратиться к ней в любой момент. Если изделие продается, передается или переносится обеспечить, чтобы инструкция всегда была с ним.
- Внимательно прочитайте инструкцию. В ней находится важная информация по установке, эксплуатации и безопасности.
- Запрещается выполнять изменения в электрической или механической части изделия или в трубах рассеивания.
- Перед началом установки оборудования убедитесь в целостности и сохранности всех компонентов. При наличии любых повреждений обратитесь к поставщику и ни в коем случае не начинайте монтаж оборудования.

Расстояние нижней грани вытяжки над опорной плоскостью под сосуды на кухонной плите должно быть не менее 50 см – для электрических плит, и не менее 65 см для газовых или комбинированных плит.

Если в инструкциях по установке газовой плиты оговорено большее расстояние, то учтите это.

ЭЛЕКТРИЧЕСКОЕ СОЕДИНЕНИЕ

Напряжение сети должно соответствовать напряжению, указанному на табличке технических данных, которая размещена внутри прибора. Если вытяжка снабжена вилкой, подключите вытяжку к штепсельному разъему. Он должен отвечать действующим правилам и быть расположен в легкодоступном месте. Включить в розетку можно после установки. Если же вытяжка не снабжена вилкой (прямое подключения к сети), или штепсельный разъем не расположен в доступном месте, также и после установки, то используйте надлежащий двухполюсный выключатель, обеспечивающий полное размыкание сети при возникновении условий перенапряжения 3-ей категории, в соответствии с инструкциями по установке.

ВНИМАНИЕ!

прежде чем подключить к сети питания электрическую систему вытяжки и проверить исправное функционирование ее убедитесь в том, что кабель питания правильно смонтирован.

Если кабель не оснащен вилкой, подсоедините провод в соответствии со следующей таблицей:

Напряжение и частота сети

См. величины, указанные в наклейке с техническими характеристиками внутри колпака.

Цвет жилы



: желтый/зеленый

N : синий

L : коричневый

Замена электрокабеля

Вытяжка имеет специальный кабель электропитания; в случае повреждения кабеля, необходимо заказать его в службе по техническому обслуживанию.

ВЫБРОС ВОЗДУХА

С РЕЦИРКУЛЯЦИЕЙ ИЛИ С ВЫВОДОМ ?

Ваша вытяжка была спроектирована для того чтобы быть использована исключительно в фильтрующей версии. Должен использоваться угольный фильтр, имеющийся в наличии у вашего дистрибутора.

Фильтрующая система предусматривает один фильтр активированного угля High Performance

Примечание: по своим техническим характеристикам невозможно использовать вытяжку во всасывающей версии

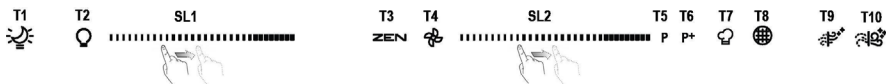
Важно! Чтобы приступить к установке, необходимо использовать трубу гибкого типа.

Исполнение с отводом воздуха

Должен использоваться угольный фильтр, имеющийся в наличии у вашего дистрибутора. Втягиваемый воздух обезжиривается и дезодорируется перед тем, как вновь возвращается в помещение через верхнюю решетку.

КОМАНДЫ

Вытяжка оснащена панелью управления для контроля скорости вытяжного вентилятора и включения света для освещения рабочей поверхности плиты.



T1. «Ночная подсветка» ВКЛ/ВЫКЛ

T2. Подсветка варочной панели ВКЛ/ВЫКЛ – Выбор цветовой температуры

T3. Режим «ZEN»

T4. Двигатель ВКЛ/ВЫКЛ

T5. Режим «POWER BOOST 1»

T6. Режим «POWER BOOST 2»

T7. Автоматический режим «Cook Sense»

T8. Индикатор загрязнения фильтра

T9. Режим работы «Ежедневное Air Sense» ВКЛ/ВЫКЛ

T10. Режим работы «Интенсивное Air Sense» ВКЛ/ВЫКЛ

T1. «НОЧНАЯ ПОДСВЕТКА» ВКЛ/ВЫКЛ

Нажмите, чтобы включить или выключить мягкую фоновую подсветку.

T2. ПОДСВЕТКА ВАРОЧНОЙ ПАНЕЛИ ВКЛ/ВЫКЛ – ВЫБОР ЦВЕТОВОЙ ТЕМПЕРАТУРЫ

Нажмите, чтобы включить или выключить подсветку варочной панели.

• При включённой подсветке коротко нажмите пальцем полосу светодиодов **SL1** справа или слева, чтобы увеличить или уменьшить яркость подсветки.

Для выбора цветовой температуры подсветки

• Снова нажмите (и удерживайте), • коротко нажмите пальцем полосу светодиодов **SL1** справа или слева, чтобы сделать подсветку холоднее или теплее. Если не менять цвет в течение пяти секунд, **SL1** замигает на выбранной вами настройке цвета и прозвучит сигнал, означающий, что система сохранила эту конфигурацию.

Примечание: Подсветка будет гореть с яркостью, настроенной в последний раз перед выключением прибора.

T3. РЕЖИМ «ZEN»

Нажмите, чтобы активировать или деактивировать режим **вытяжной вентиляции «ZEN»**.

Этот режим позволяет активировать скорость вытяжной вентиляции с идеальным балансом между бесшумностью и эффективностью.

T4. ДВИГАТЕЛЬ ВКЛ/ВЫКЛ

Нажмите, чтобы включить или выключить **двигатель вытяжки**.

• При включённом двигателе коротко нажмите пальцем полосу светодиодов **SL2** справа или слева, чтобы увеличить или уменьшить скорость вытяжной вентиляции.

T5. РЕЖИМ «POWER BOOST 1»

При включённом двигателе вытяжки нажмите T5, чтобы активировать скорость **интенсивной вытяжки «POWER BOOST 1»** (регулируемой по времени).

Примечание: вытяжка вернётся к работе на прежней скорости через пять минут.

T6. РЕЖИМ «POWER BOOST 2»

При включённом двигателе вытяжки нажмите T6, чтобы активировать скорость **интенсивной вытяжки «POWER BOOST 2»** (регулируемой по времени).

Примечание: вытяжка вернётся к работе на прежней скорости через пять минут.

T7. АВТОМАТИЧЕСКИЙ РЕЖИМ «COOK SENSE»

Вытяжка автоматически увеличит скорость вытяжной вентиляции до 1-й, если датчик в вытяжке обнаружит, что этого требуют окружающие условия.

Если окружающие условия не меняются – и вытяжка уже работает на 1-й скорости вытяжной вентиляции – вытяжка выключится через пять минут.

Примечание: для правильного использования этой функции сначала **настройте параметры автоматического режима**, как описано в соответствующем разделе.

Примечание: если во время использования автоматического режима изменить любые другие функции, регулирующие скорость, функция «Cook Sense» отключится.

T8. ИНДИКАТОРЫ ЗАСОРЕНИЯ ФИЛЬТРОВ

С регулярными интервалами вытяжка сигнализирует о необходимости технического обслуживания фильтров.

Примечание: Индикаторы работают только при включённой вытяжке.

Кнопка **T8** горит: Выполните техническое обслуживание жирового фильтра.

Кнопка **T8** мигает: Выполните обслуживание угольного фильтра.

Сброс индикаторов засорения фильтра:

Примечание: Это нужно делать при включённой вытяжке.

Нажмите и удерживайте кнопку **T8**.

Активация индикатора засорения угольного фильтра

Примечание: Это нужно делать при выключенном двигателе вытяжки.

Обычно этот индикатор не активен – нажмите и удерживайте кнопки **T3** и **T10** одновременно, чтобы активировать функцию:

Эти кнопки загорятся, что означает активацию.

Чтобы деактивировать функцию, нажмите и удерживайте те же самые кнопки (**T3** и **T10**) снова: Кнопки замигают часто и затем отключатся, что означает деактивацию.

T9. РЕЖИМ РАБОТЫ «ЕЖЕДНЕВНОЕ AIR SENSE» ВКЛ/ВЫКЛ

Вытяжка автоматически увеличит скорость вытяжной вентиляции до 1-й, если датчик в вытяжке обнаружит, что этого требуют окружающие условия.

Если скорость вытяжной вентиляции не меняется под влиянием окружающих условий, вытяжка выключится через два часа.

Через пять часов работы вытяжка выключится в любом случае, независимо от режима работы.

Примечание: для правильного использования этой функции сначала **настройте параметры автоматического режима**, как описано в соответствующем разделе.

T10. РЕЖИМ РАБОТЫ «ИНТЕНСИВНОЕ AIR SENSE» ВКЛ/ВЫКЛ

Вытяжка автоматически увеличит скорость вытяжной вентиляции до 5-й, если датчик в вытяжке обнаружит, что этого требуют окружающие условия.

Если скорость вытяжной вентиляции не меняется под влиянием окружающих условий, вытяжка выключится через два часа.

Через пять часов работы вытяжка выключится в любом случае, независимо от режима работы.

Примечание: для правильного использования этой функции сначала **настройте параметры автоматического режима**, как описано в соответствующем разделе.

НАСТРОЙКА ПАРАМЕТРОВ ДЛЯ АВТОМАТИЧЕСКОГО РЕЖИМА

Для правильного использования автоматического режима вам потребуется откалибровать вытяжку и выбрать тип варочной панели.

Калибровка вытяжки

Примечание: это нужно делать, когда прибор находится в режиме ожидания, т. е. через минуту после выключения двигателя.

Нажмите кнопку **T4** и удерживайте пять секунд.

Включится 1-я скорость вытяжной вентиляции, и кнопка **T4** замигает, указывая на то, что калибровка вытяжки началась (она

продлится примерно 15 минут).

Примечание: Чтобы остановить процесс калибровки, нажмите кнопку **T4** и удерживайте пять секунд. Тогда калибровка будет признана недействительной, и её потребуется повторить.

Примечание: Калибровка будет выполнена автоматически после первого включения прибора. **T4** будет мигать. Подождите 15 минут, пока калибровка не завершится.

Выбор типа варочной панели

Примечание: это нужно делать, когда прибор находится в режиме ожидания, т. е. через минуту после выключения двигателя.

Нажмите кнопки **T9** и **T10** и удерживайте пять секунд.

Кнопки **T9** и **T10** загорятся.

Если варочная панель газовая, нажмите кнопку **T9** – эта кнопка замигает, указывая на то, что выбран данный вариант.

Если варочная панель электрическая, нажмите кнопку **T10** – эта кнопка замигает, указывая на то, что выбран данный вариант.

После нажатия кнопка будет мигать три секунды, указывая на то, что ваш выбор сохранён.

ТЕХНИЧЕСКОЕ ОБСЛУЖИВАНИЕ

Очистка

Для очистки используйте **ТОЛЬКО** специальную тряпку, смоченную нейтральным жидким моющим средством. **НЕ ИСПОЛЬЗУЙТЕ НИКАКИЕ ИНСТРУМЕНТЫ ДЛЯ ОЧИСТКИ.** Не применяйте средства, содержащие абразивные материалы. **НЕ ПРИМЕНЯЙТЕ СПИРТ!**

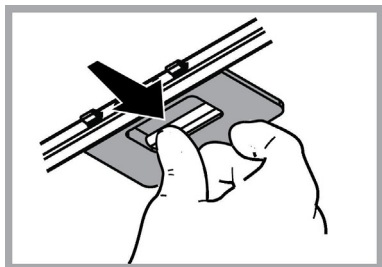
Обслуживание жировых фильтров

Удерживает частицы жира, исходящие от плиты.

Фильтр следует чистить ежемесячно (или когда система индикации насыщения фильтров, если она имеется в Вашей модели, указывает на данную необходимость) неагрессивными моющими средствами, вручную или в посудомоечной машине при низкой температуре и экономичном цикле мытья.

При мытье в посудомоечной машине может иметь место некоторое обесцвечивание фильтра задержки жира, но его фильтрующая характеристика остается абсолютно неизменной.

Для снятия жирового фильтра потяните к себе подпружиненную ручку отцепления фильтра.



Обслуживание угольного фильтра

Удаляет неприятные запахи кухни.

Насыщение фильтра активированного угля происходит после более менее длительного использования, в зависимости от типа кухни и от частоты чистения жирового фильтра.

В любом случаи необходимо заменить фильтр максимально каждые 5 лет.

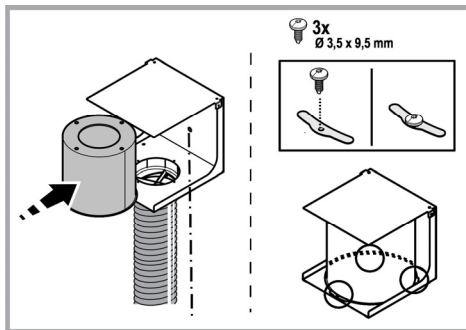
НЕ может быть почищен или регенерирован.

Чтобы получить оптимальное всасывание, используется фильтр больше чем стандартные фильтры, установленный сверху вытяжки в поддерживающем проеме.

Установка или замена угольного фильтра

1. Отсоедините вытяжку от электросети.
2. Вставьте цилиндрический фильтр в держатель.
3. Закрепите фильтр с помощью винтов и пластин из комплекта поставки прибора.

Для снятия действуйте в обратном порядке.



Замена ламп

Вытяжка оборудована освещением на светодиодах LED. Светодиоды обеспечивают оптимальное освещение, их срок службы в 10 раз превышает срок работы традиционных лампочек, и позволяют экономить 90% электроэнергии.


Для замены светодиодов обратитесь в авторизованный сервисный центр.

УТИЛИЗАЦИЯ

Данное изделие помаркировано в соответствии с Европейской директивой 2012/19/EC по утилизации электрического и электронного оборудования (WEEE).

Обеспечив правильную утилизацию данного изделия, Вы сможете предотвратить потенциальные негативные последствия для окружающей среды и здоровья человека.



Символ  на самом изделии или сопроводительной документации указывает, что при утилизации данного изделия с ним нельзя обращаться как с обычными бытовыми отходами. Вместо этого, его следует сдавать в соответствующий пункт приемки электрического и электронного оборудования для последующей утилизации.

Сдача на слом должна производиться в соответствии с местными правилами по утилизации отходов.

За более подробной информацией о правилах обращения с такими изделиями, их утилизации и переработки обращайтесь в местные органы власти, в службу по утилизации отходов или в магазин, в котором Вы приобрели данное изделие.

Устройство разработано, испытано и изготовлено в соответствии с:

- Безопасность: EN/IEC 60335-1; EN/IEC 60335-2-31, EN/IEC 62233.
- Эксплуатационные характеристики: EN/IEC 61591; ISO 5167-1; ISO 5167-3; ISO 5168; EN/IEC 60704-1; EN/IEC 60704-2-13; EN/IEC 60704-3; ISO 3741; EN 50564; IEC 62301.
- EMC: EN 55014-1; CISPR 14-1; EN 55014-2; CISPR 14-2; EN/IEC 61000-3-2; EN/IEC 61000-3-3. Предложения для правильного использования в целях снижения воздействия на окружающую среду: Включите вытяжной колпак на минимальной скорости, когда начинаете готовить, и оставьте его работать в течение нескольких минут после того, как закончите готовить. Увеличивайте скорость только в случае большого количества дыма и пара, и прибегайте к использованию повышенных скоростей только в экстремальных ситуациях. Заменяйте угольный фильтр(ы), когда это необходимо, для поддержания хорошей эффективности жирового фильтра. Очищайте жировой/ые фильтр(ы), когда это необходимо, для поддержания хорошей эффективности жирового фильтра. Используйте максимальный диаметр системы воздухопроводов, указанный в данном руководстве, для оптимизации эффективности и минимизации уровня шума.

АНОМАЛИИ В РАБОТЕ

Если что-то не работает должным образом, перед тем как обратиться в Службу по техническому обслуживанию, выполните следующие простые проверки:

- Если вытяжка не работает:
Проверить:
 - что бы не была прервана подача тока.
 - что бы была выбрана скорость.
- Если вытяжка плохо работает:
Проверить:
 - что выбранная скорость двигателя достаточна для выработанного количества дыма и пара.
 - что кухня достаточно проветрена для того, чтобы вытяжка могла выполнить забор воздуха.
 - что угольный фильтр не отработан (вытяжка в режиме с рециркуляцией воздуха).
- Если вытяжка выключилась в ходе нормальной работы:
Проверить:
 - что не прервана подача тока.
 - что не сработал однополюсный выключающий аппарат.

В случае возможных аномалий в работе, перед тем как обратиться в службу технического обслуживания отключить от электропитания аппарат минимум на 5 секунд, вынимая вилку и потом подсоединить его снова. Если аномалия в работе продолжает существовать обратиться в службу техобслуживания.

ТЕХНИЧЕСКИЕ ДАННЫЕ

Высота (см)	Ширина (см)	Глубина (см)	Ø вытяжной трубы (см)
110-129,5	89,8	32	15

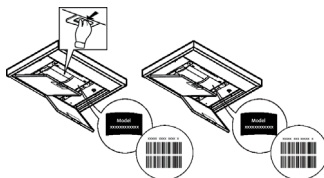


Комплектующие, не входящие в комплект деталей к изделию



Чтобы загрузить инструкции по безопасности, руководство по эксплуатации, технический лист изделия и показатели энергоэффективности:

- Посетите наш веб-сайт docs.whirlpool.eu
- Используйте QR-код
- Или обратитесь в наш Сервисный центр (Номер телефона указан в гарантийном талоне). При обращении в наш Сервисный центр сообщите коды, указанные на паспортной табличке изделия.



VŠEOBECNÁ BEZPEČNOSŤ

- Pred každým čistením alebo údržbou, odpojte odsávač pár od elektrickej siete vytiahnutím zástrčky alebo vypnutím hlavného vypínača bytu.
- Pre všetky inštalčné a údržbové operácie používajte pracovné rukavice.
- Zariadenie môže byť používané deťmi vo veku nie menej ako 8 rokov a osobami so zníženými fyzickými, zmyslovými alebo duševnými schopnosťami, alebo nedostatkom skúseností a potrebných znalostí, pokiaľ sú pod primeraným dozorom, alebo dostali pokyny o bezpečnom užívaní zariadenia a keď si uvedomujú s ňou spojené nebezpečenstvo.
- Deti musia byť kontrolované, aby sa nehrali so zariadením.
- Čistenie a údržbu nesmú vykonávať deti bez dozoru.
- Miestnosť musí mať dostatočné vetranie, keď kuchynský odsávač pár sa používa súčasne s inými zariadeniami spaľujúce plyn alebo iných palív.
- Odsávač pár sa musí pravidelne čistiť ako vnútorne tak zvonka (ASPOŇ RAZ ZA MESIAC), v každom prípade rešpektujte ako je výslovne uvedené v návode na údržbu.
- Nedodržiavanie noriem čistenia odsávača pár a výmeny a čistenia filtrov môže spôsobiť požiare. Je prísne zakázané pod odsávačom pár robiť jedlá na plameni.
- Pri výmene lampy používajte len typ lampy uvedený v sekcii údržba/výmena lampy v tejto príručke.

Používanie otvoreného ohňa poškodzuje filtre a môže spôsobiť požiar a preto sa mu treba v každom prípade vyhnúť.

Vyprážanie musí byť vykonané pod kontrolou, aby prehriaty olej sa nezapálil.

POZOR: Keď je varná doska v prevádzke, prístupné časti odsávača pary sa môžu zahriať.

- **Nepripájajte zariadenie do elektrickej siete, kým inštalácia nie úplne dokončená.**
- Pokiaľ ide o technické a bezpečnostné opatrenia, ktoré sa majú prijať pre vypúšťanie výparov, prísne sa dodržujte nariadeniami ustanovenými príslušnými miestnymi úradmi .
- Odsávaný vzduch nesmie byť dopravený do potrubia používaného pre vypúšťanie výparov produkovaných zariadeniami spaľujúcimi plyn alebo iné palivá.
- Nepoužívajte alebo nechajte odsávač pár bez správne namontovaných lúčok kvôli možnému riziku úrazu elektrickým prúdom.
- Nikdy nepoužívajte odsávač pár bez správne namontovanej mriežky!
- Odsávač pár sa nesmie NIKDY používať ako nosný povrch, pokiaľ nie je výslovne uvedené
- Používajte len upevňovacie skrutky dodávané s výrobkom pre inštaláciu alebo, ak nie sú súčasťou dodávky, kúpte správny typ skrutiek.
- Používajte správnu dĺžku skrutiek, ktorá je označená v Návode na inštaláciu.
- Ak si nie ste istí, poraďte sa s autorizovaným servisným strediskom alebo podobným kvalifikovaným personálom.

▲ POZOR!

- Chýbajúca inštalácia upevňovacích skrutiek alebo prostriedkov v súlade s týmito pokynmi môže spôsobiť úraz elektrickým prúdom.
- Nepoužívajte s programovacím zariadením, časovačom, samostatným diaľkovým ovládaním alebo s akýmkoľvek iným zariadením, ktoré sa aktivuje samostatne.

Uchovávajte zariadenie mimo dosahu detí vo veku do 3 rokov. Uchovávajte zariadenie mimo dosahu detí vo veku do 8 rokov, pokiaľ nie sú pod nepretržitým dozorom dospelšej osoby.

▲ UPOZORNENIE: zariadenie nie je určené na to, aby sa spúšťalo pomocou externého zariadenia alebo samostatného diaľkového ovládacieho systému.

▲ Toto zariadenie nie je určené na profesionálne použitie. Nepoužívajte zariadenie v exteriéri.

▲ Aby sa predišlo riziku zranenia osôb, zariadenie musia premiestňovať a inštalovať minimálne dve osoby.

▲ Inštaláciu, vrátane prípadných vodovodných prípojok a elektrického vedenia, a opravy smú vykonávať iba kvalifikovaní pracovníci.

Po dokončení inštalácie uchovávajte obalové materiály (plastové časti, polystyrén atď.) mimo dosahu detí, aby ste predišli riziku udusenía. .

Nepoužívajte zariadenie, keď ste mokří alebo bosí.

Nikdy nepoužívajte prístroje na tlakové čistenie – riziko úrazu elektrickým prúdom.



Obalové materiály sú 100 % recyklovateľné a sú označené značkou pre recykláciu

Odsávač pary môže mať odlišný výzor ako je zobrazený na nákrese v tejto knižke, ale napriek tomu návody pre použitie, údržba a montáž ostávajú rovnaké.

Prísne dodržiavajte pokyny uvedené v tomto návode. Výrobca odmieta prevziať akúkoľvek zodpovednosť za prípadné poškodenie, poruchy, škody, alebo vznietenie odsávača, ktoré bolo spôsobené nedodržaním týchto predpisov. Odsávač pár slúži výhradne na odsávanie pár, dymu, pachov vzniknutých pri varení a je určený výhradne pre domáce použitie.

- Je dôležité uchovať si túto príručku, aby ste ju mohli Použiť v akomkoľvek okamihu. V prípade predaja, postúpení či sťahovaní zaistite, aby zostala spoločne s odsávačom pár.
- Pozorne si prečítajte návod: obsahuje dôležité informácie o inštalácii, použití a bezpečnosti.
- Nemeňte elektrickú či mechanickú úpravu výrobku alebo potrubie na odvod pár.
- Skôr než budete pokračovať s inštaláciou zariadenia, overte, všetky súčiastky či nie sú poškodené. V opačnom prípade obráťte sa na predajcu a nepokračujte v inštalácii.

Minimálna vzdialenosť medzi podporou nádoby na varnej ploche a najnižšou časťou digestora nesmie byť menšia než 50cm v prípade elektrických sporákov, 65cm v prípade plynových či kombinovaných/zmiešaných sporákov.

Pokiaľ návod na inštaláciu varného zariadenia na plyn odporúča väčšiu vzdialenosť, je treba sa týmto pokynom riadiť.

ELEKTRICKÉ PRIPOJENIE

Sieťové napätie musí zodpovedať napätiu uvedenému na štítku s charakteristikami umiestnenom vo vnútri odsávača. Pokiaľ je odsávač vybavený prípojkou/vidlicou, stačí ju zapojiť do zásuvky zodpovedajúcej aktuálnym normám, ktorá sa nachádza v ľahko dosiahnuteľnom priestore aj po prevedenej montáži. Pokiaľ odsávač nie je vybavený prípojkami/vidlicou (priame pripojenie k sieti) alebo sa zásuvka nenachádza v ľahko dosiahnuteľnom priestore aj po prevedení montáže, je nutné použiť dvojpólový vypínač zodpovedajúci normám, ktorý zaručí úplné odpojenie od siete v podmienkach kategórie prepätí III, v súlade s pravidlami inštalácie.

▲ UPOZORNENIE!


Skôr než opäť napojíte obvod digestora na sieťové napájanie a overíte správne fungovanie, skontrolujte si vždy, že sieťový kábel bol správne namontovaný.

Pokiaľ nie je kábel opatrený zástrčkou, pripojte vodiče podľa informácií v nasledujúcej tabuľke:

Sieťové napätie a frekvencia

Uvedenú hodnotu si overte na štítku s vlastnosťami zariadenia, umiestnenom vo vnútri zariadenia.

Pripojenie vodičov

 : žlt/zelený

N : modrý

L : hnedý

Výmena napájacieho kábla

Digestor je vybavený špeciálnym napájacím káblom; v prípade poškodenia káblu si ho vyžiadajte u servisnej služby.

VYPÚŠŤANIE VZDUCHU

FILTRČNÁ ALEBO ODSÁVACIA ?

Váš odsávač pár bol projektovaný jedinečne na použitie vo filtračnej verzii.

Odsávaný vzduch bude pred návratom do miestnosti zbavený tukov a pachov.

Filtračný systém je zaopatrený filtrom s aktívnym uhlím High Performance

Poznámka: vzhľadom jeho technických vlastností, nie je možné použiť odsávač pár v odsávacej verzii.

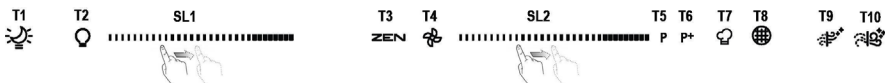
Filtračné verzie

Odsávaný vzduch bude pred návratom do miestnosti zbavený tukov a pachov. K použitiu digestora v tejto verzii je nutné inštalovať dodatočný systém filtrovania na základe aktívnych uhlíkov.

Nasatý vzduch sa pred znovu privedením do miestnosti najprv odmastí a sa zbaví zápachu. Aby sa mohol odsávač pary používať v takejto verzii, je potrebné nainštalovať dopĺňajúci filtračný systém na základe aktívneho uhlia.

RIADENIA

Odsávač pary je vybavený ovládacím panelom s kontrolou odsávacej rýchlosti a s kontrolou zapínania svietidla na osvetlenie varnej pracovnej plochy.



T1. Spínač nočného osvetlenia

T2. Spínač osvetlenia varnej dosky – zvolte farebnú teplotu

T3. Činnosť v režime „ZEN mode“

T4. Vypnutie/zapnutie motora

T5. Funkcia „ZOSILNENIE VÝKONU 1“

T6. Funkcia „ZOSILNENIE VÝKONU 2“

T7. Automatický režim „Cook Sense“

T8. Ukazovateľ nasýtenia filtra

T9. Zapnutie/vypnutie prevádzkového režimu „Daily Air Sense“

T10. Zapnutie/vypnutie prevádzkového režimu „Intensive Air Sense“

T1. SPÍNAČ NOČNÉHO OSVETLENIA

Stlačením zapnete alebo vypnete tlmené podsvietenie.

T2. SPÍNAČ OSVETLENIA VARNEJ DOSKY – ZVOĽTE FAREBNÚ TEPLOTU

Stlačením zapnete alebo vypnete svetlá varnej dosky.

• Keď sú svetlá zapnuté, prejdite prstom doprava alebo doľava po LED pásiku **SL1**, čím zvýšite alebo znížite intenzitu svetla.

Nastavenie teploty farby osvetlenia

• Znova stlačte (a podržte)

• prejdite prstom doprava alebo doľava po LED pásiku **SL1**, čím nastavíte intenzitu svetla studenejšiu alebo teplejšiu.

Ak päť sekúnd nezmeníte farbu, **SL1** bude blikať na farbe, ktorú ste zvolili, a zvukový signál oznámi, že systém uložil túto konfiguráciu.

Upozornenie: Svetlo sa zapne v poslednej intenzite, ktorú ste nastavili pred vypnutím spotrebiča.

T3. ČINNOSŤ V REŽIME „ZEN MODE“

Stlačte a aktivujte alebo deaktivujte režim **odsávania „ZEN“**.

Táto funkcia umožňuje aktivovať rýchlosť odsávania s dokonalou rovnováhou medzi tichom a účinnosťou odsávania.

T4. VYPNUTIE/ZAPNUTIE MOTORA

Stlačením zapnete alebo vypnete **motor odsávania**.

• Keď je motor zapnutý, prejdite prstom doprava alebo doľava po LED pásiku **SL2**, čím zvýšite alebo znížite rýchlosť odsávania.

T5. FUNKCIA „ZOSILNENIE VÝKONU 1“

Keď je motor odsávania zapnutý, stlačením **T5** aktivujte **intenzívnu rýchlosť odsávania „ZOSILNENIE VÝKONU 1“** (s časovou reguláciou).

Upozornenie: Digestor sa po piatich minútach vráti na rýchlosť použitia predtým.

T6. FUNKCIA „ZOSILNENIE VÝKONU 2“

Keď je motor odsávania zapnutý, stlačením T6 aktivujete **intenzívnu rýchlosť odsávania „ZOSILNENIE VÝKONU 2“** (s časovou reguláciou).

Upozornenie: Digestor sa po piatich minútach vráti na rýchlosť použítú predtým.

T7. AUTOMATICKÝ REŽIM „COOK SENSE“

Digestor zvýši rýchlosť odsávania na 1 automaticky, ak senzor v digestore zistí, že to okolité podmienky vyžadujú.

Ak sa okolité podmienky nezmenia a digestor už používa rýchlosť odsávania 1, digestor sa po piatich minútach vypne.

Upozornenie: Aby ste si boli istí, že túto funkciu používate správne, **nakonfigurujte, prosím, najprv parametre na automatický režim**, ako je opísané v príslušnej časti.

Upozornenie: Ak pri používaní automatického režimu zmeníte iné funkcie, ktoré regulujú rýchlosť, funkcia „Cook Sense“ sa vypne.

T8. UKAZOVATELE NASÝTENIA FILTROV

V pravidelných intervaloch digestor signalizuje potrebu vykonať údržbu filtra.

Upozornenie: Ukazovatele fungujú, iba keď je digestor zapnutý.

Tlačidlo **T8** svieti: Vykonajte údržbu filtra mastnoty.

Tlačidlo **T8** bliká: Vykonajte údržbu uhlíkového filtra.

Vynulovanie ukazovateľov nasýtenia filtra:

Upozornenie: Musí sa urobiť, keď je digestor zapnutý.

Stlačte a podržte tlačidlo **T8**.

Aktivovanie ukazovateľa nasýtenia uhlíkového filtra

Upozornenie: Musí sa urobiť, keď je motor odsávania vypnutý.

Tento ukazovateľ je zvyčajne deaktivovaný – stlačte a podržte tlačidlá **T3** a **T10** naraz, čím funkciu aktivujete. Tlačidlá sa rozsvietia, čo znamená, že je aktivovaná.

Funkciu deaktivujete opätovným stlačením a podržaním tých istých tlačidiel (**T3** a **T10**). Tlačidlá nakrátko bliknú a potom sa vypnú, čo znamená, že funkcia je deaktivovaná.

T9. ZAPNUTIE/VYPNUTIE PREVÁDZKOVÉHO REŽIMU „DAILY AIR SENSE“

Digestor zvýši rýchlosť odsávania na 1 automaticky, ak senzor v digestore zistí, že to okolité podmienky vyžadujú.

Ak sa rýchlosť odsávania nezmení v dôsledku zistených okolitých podmienok, digestor sa po dvoch hodinách vypne.

Digestor sa v každom prípade vypne po piatich hodinách používania, bez ohľadu na režim prevádzky.

Upozornenie: Aby ste si boli istí, že túto funkciu používate správne, **nakonfigurujte, prosím, najprv parametre na automatický režim**, ako je opísané v príslušnej časti.

T10. ZAPNUTIE/VYPNUTIE PREVÁDZKOVÉHO REŽIMU „INTENSIVE AIR SENSE“

Digestor zvýši rýchlosť odsávania na 5 automaticky, ak senzor v digestore zistí, že to okolité podmienky vyžadujú.

Ak sa rýchlosť odsávania nezmení v dôsledku zistených okolitých podmienok, digestor sa po dvoch hodinách vypne.

Digestor sa v každom prípade vypne po piatich hodinách používania, bez ohľadu na režim prevádzky.

Upozornenie: Aby ste si boli istí, že túto funkciu používate správne, **nakonfigurujte, prosím, najprv parametre na automatický režim**, ako je opísané v príslušnej časti.

KONFIGUROVANIE PARAMETROV PRE AUTOMATICKÝ REŽIM

Aby ste si boli istí, že automatický režim používate správne, musíte digestor nakalibrovať a zvoliť typ varnej dosky.

Kalibrácia digestora

Upozornenie: Musíte ju vykonať, keď je digestor v pohotovostnom režime, t. j. jednu minútu po vypnutí motora.

Stlačte a päť sekúnd podržte tlačidlo **T4**.

Zapne sa rýchlosť odsávania 1 a tlačidlo **T4** zabliká na znak toho, že sa začala kalibrácia (potrvá približne 15 minút).

Upozornenie: Proces kalibrácie zastavíte stlačením a podržaním tlačidla **T4** na päť sekúnd. Kalibrácia sa tým zruší a bude potrebné ju zopakovať.

Upozornenie: Kalibrácia sa vykoná automaticky, keď sa spotrebič prvý raz pripojí k elektrickému zdroju. **T4** bude blikáť. Počkajte 15 minút, kým sa kalibrácia dokončí.

Výber typu varnej dosky

Upozornenie: Musíte ju vykonať, keď je digestor v pohotovostnom režime, t. j. jednu minútu po vypnutí motora.

Stlačte a päť sekúnd podržte tlačidlá **T9** a **T10**.

Tlačidlá **T9** a **T10** sa rozsvietia.

Ak je varná doska plynová, stlačte tlačidlo **T9** – tlačidlo bude blikáť na znak tohto výberu.

Ak je varná doska elektrická, stlačte tlačidlo **T10** – tlačidlo bude blikáť na znak tohto výberu.

Po stlačení bude tlačidlo tri sekundy blikáť, čo znamená, že vaša voľba bola uložená.

ÚDRŽBA

Čistenie

Pri čistení je treba použiť **VÝLUČNE** látku navrhčenú neutrálnymi tekutými čistiacimi prostriedkami.

NEPOUŽÍVAJTE ŽIADNE NÁSTROJE ALEBO POMOCKY NA ČISTENIE. NEPOUŽÍVAJTE ALKOHOL!

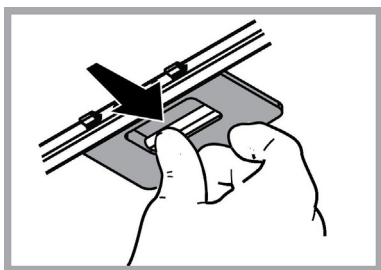
Údržba protitukových filtrov

Udržiava častice tukov pochádzajúcich z varenia.

Musí byť čistený jedenkrát za mesiac (alebo keď upozornovací systém nasýteľnosti filtrov – ak je s ním príslušný model vybavený – upozorňuje túto nevyhnutnosť), nehrdzivými čistiacimi prostriedkami ručne alebo v umývačke s nízkou teplotou vody a krátkym cyklusovým programom.

Umývaním v umývačke, protitukový filter sa môže odfarbiť, ale jeho filtračná charakteristika sa tým vôbec nezmení.

Na odpojenie protitukových filtrov potiahnite za pružinový háčik.



Údržba uhlíkového filtra

Udržiava nepríjemné zápachy pochádzajúce z varenia.

Nasýtenie uhlíkového filtra dochádza po viac či menej dlhšom používaní, v závislosti na druhu varenia a na pravidelnosti čistenia tukového filtra.

V každom prípade je nutné vymeniť vložku maximálne každých 5 rokov.

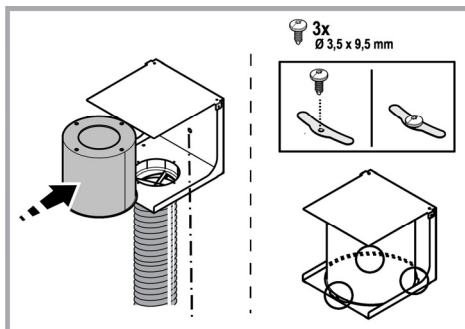
NEMOŽE byť umývaná ani regenerovaná.

Na dosiahnutie vynikajúceho výkonu odsávania, filter je väčší ako štandardné filtre a je nainštalovaný na opore nad digestorom.

Nasadenie alebo výmena uhlíkového filtra

1. Odpojte digestor od elektrickej siete.
2. Vložte valcový filter do držiaka.
3. Zaisťte filter skrutkami a doštičkami priloženými k spotrebiču.

Pri vyberaní postupujte v obrátenom poradí.



Výmena žiaroviek

Odsávač pary je vybavený systémom osvetlenia založenom na technológii LED.

Kontrolky LED zaručujú optimálne osvetlenie, trvanie až 10 krát dlhšie ako tradičné žiarovky a umožňujú ušetriť 90% elektrickej energie.


Pre výmenu lúčok kontaktujte autorizované servisné stredisko náhradných dielov.

LIKVIDÁCIA

Tento spotrebič je označený v súlade s európskou smernicou 2012/19/EC o likvidácii elektrického a elektronického zariadenia (WEEE).

Uistením sa, že tento výrobok bol po svojej životnosti odstránený správnym spôsobom, užívateľ prispieva k predchádzaniu možným negatívnym následkom pre životné prostredie a zdravie.



Symbol  výrobku alebo na jeho sprievodnej dokumentácii, upozorňuje, že s týmto výrobkom sa nesmie zaobchádzať ako s domácim odpadom, ale musí byť odovzdaný do príslušného miesta zberu pre recykláciu elektrických a elektronických prístrojov. Zbaviť sa ho riadením sa podľa miestnych zákonov o odstránení odpadkov. Kvôli dokonalejším informáciám o zaobchádzaní, znovuzískaní a recyklácii tohto výrobku, kontaktujte príslušné miestne úrady, služby pre zber domáceho odpadu alebo predajňu, v ktorej výrobok bol zakúpený.

Prístroj bol navrhnutý, testovaný a vyrobený v súlade s:

- Bezpečnosť: EN/IEC 60335-1; EN/IEC 60335-2-31, EN/IEC 62233.
- Výkonnosť: EN/IEC 61591; ISO 5167-1; ISO 5167-3; ISO 5168; EN/IEC 60704-1; EN/IEC 60704-2-13; EN/IEC 60704-3; ISO 3741; EN 50564; IEC 62301.

• EMC: EN 55014-1; CISPR 14-1; EN 55014-2; CISPR 14-2; EN/IEC 61000-3-2; EN/IEC 61000-3-3.

(CISPR - Osobitný medzinárodný výbor pre rádiové rušenie, pozn. prekl.)

Odporúčania pre správne použitie s cieľom znížiť dopad na životné prostredie: Zapnite digestor na minimálnu rýchlosť, keď začnete s varením a nechajte ho bežať niekoľko minút po ukončení varenia. Zvýšte rýchlosť len v prípade veľkého množstva dymu a pary a použite podpornú rýchlosť (rýchlosti) len v extrémnych situáciách. Vymeňte uhlíkový filter (filtre), ak je to potrebné na udržiavanie dobrej účinnosti zníženia zápachu. Vyčistite tukový filter (filtre), ak je to potrebné na udržiavanie jeho účinnosti. Použite maximálny priemer potrubného systému, ako je uvedené v tomto návode, na optimalizáciu účinnosti a minimalizáciu hluku.

PREVÁDKOVÉ PORUCHY

Ak sa zdá, že niečo nefunguje, skôr než sa zavolá servis, vykonať nasledujúce jednoduché kontroly.

- Ak odsávač pary nefunguje:
Skontrolovať, že:
 - nedošlo k výpadku elektrického prúdu.
 - bola zvolená jedna rýchlosť.
- ak odsávač pary má slabý výkon:
Skontrolovať, že:
 - zvolená rýchlosť motora je dostačujúca pre množstvo uvoľnených dymov a pár.
 - Kuchyňa je dostatočne vzdušná pre možnosť príjem vzduchu.
 - uhlíkový filter nie je spotrebovaný (odsávač pary vo filtračnej verzii).
- ak odsávač pary sa vypol počas normálnej prevádzky:
Skontrolovať, že:
 - nedošlo k výpadku elektrického prúdu.
 - vyšlo sa zariadenie poisťky.

V prípade eventualitych porúch v prevádzke, skôr ako sa obrátite na zákaznícky servis, odpojiť zariadenie na 5 sekúnd od elektrického napojenia, vytiahnutím zástrčky a znovu ho pripojiť. V prípade, že porucha prevádzky pretrváva, obrátiť sa na zákaznícky servis.

TECHNICKÉ ÚDAJE

Výška (cm)	Šírka (cm)	Hĺbka (cm)	Ø odsávacej rúry (cm)
110-129,5	89,8	32	15

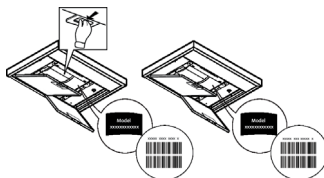


Komponenty, ktoré nie sú dodané s výrobkom



Bezpečnostné pokyny, Návod na používanie, Technické a energetické údaje spotrebiča si môžete stiahnuť:

- Na našej webovej stránke docs.whirlpool.eu
- Pomocou QR kódu
- Prípadne **sa obráťte na náš popredajný servis** (Telefónne číslo nájdete v záručnej knižke). Pri kontaktovaní nášho popredajného servisu uveďte, prosím, kódy z výrobného štítku vášho spotrebiča.



ALLMÄN SÄKERHET

- Gör alltid fläkten strömlös innan någon typ av underhållsarbete eller rengöring inleds genom att dra ur kontakten eller slå av bostadens huvudströmbrytare.
 - Använd alltid skyddshandskar vid installation och underhållsgrepp.
 - Apparaten får inte användas av barn från 8 års ålder eller personer med reducerad rörelseförmåga eller mental kapacitet, eller personer som saknar erfarenhet och kännedom om apparaten, såtillvida inte användandet övervakas eller instruktioner ges av erfaren person som ansvarar för säkerheten.
 - Barn får inte lämnas utan uppsikt för att förhindra att de leker med apparaten.
 - Rengörings- och underhållsgrepp får inte utföras av barn utan uppsikt.
 - Lokalen skall vara ordentligt ventilerad när köksfläkten används tillsammans med andra apparater vilka drivs med gas och andra typer av bränsle.
 - Flätkåpan ska rengöras regelbundet både invändigt och utvändigt (MINST EN GÅNG I MÅNADEN), anvisningarna i instruktionerna för skötsel måste emellertid följas.
 - Om reglerna för rengöring av flätkåpan samt utbyte och rengöring av filtren inte observeras kan detta medföra brandrisk.
 - Det är strängt förbjudet att flambera mat under fläkten.
 - Använd endast den typ av lampor som anges i denna handbok i kapitlet Underhåll/Byte av lampa när lampan skall bytas ut.
- Öppna lågor skadar filtren och kan orsaka brand och skall därför undvikas i alla lägen. Frityrkokning skall ske under uppsikt för att undvika att överhettad olja fattar eld.
- WARNING:** När spishällen är i funktion kan tillqändliqa delar av fläkten hettas upp.

- Anslut inte apparaten till elnätet innan installationen är helt slutförd.
- Vad beträffar de tekniska föreskrifter och säkerhetsåtgärder som skall vidtas för avledning av utblåsningsluften, skall de föreskrifter som utfärdats av lokala myndigheter nogt efterlevas.
- Utblåsningsluften får inte ledas in i rökkanal som används för avledning av rökångor som kommer från apparater vilka matas med gas eller andra typer av bränsle.
- Använd eller lämna aldrig fläkten utan korrekt monterade lampor för att undvika risken för elektriska stötar.
- Fläkten får aldrig användas utan att gallret är korrekt monterat!
- Fläkten får ALDRIG användas som avställningsyta om inte detta är uttryckligen angivet.
- Använd endast de medlevererade fixeringskruvorna eller införskaffa skruvar av korrekt typ.
- Använd skruvar med rätt längd enligt föreskrifterna i Installationsguiden. I händelse av tvekl, kontakta Servicekontoret eller behörig personal.

⚠ WARNING!

- I det fall skruvar och fixeringsanordningar inte installeras enligt dessa instruktioner kan elektriska risker uppstå.
- Använd inte med en separat programmeringsenhet, timer, fjärrkontroll eller någon annan anordning, som aktiveras automatiskt.

Håll barn under 3 år borta från apparaten. Apparaten måste förvaras utom räckhåll för barn under 8 år, som inte är under konstant uppsikt av en vuxen.

⚠ WARNING: apparaten är inte avsedd att sättas i drift med hjälp av en extern enhet eller ett separat fjärrstyrningssystem.

⚠ Denna apparat är inte avsedd för professionell användning. Använd inte apparaten utomhus.

⚠ För att undvika risk för kroppsskador måste förflyttning och installation av apparaten utföras av två eller flera personer.

⚠ Installationen, inklusive eventuell anslutning till vattenförsörjning (om sådan föreskrivs), samt elektriska anslutningar och reparationsåtgärder, måste utföras av kvalificerad personal.

När installationen har slutförts förvaras förpackningsmaterialet (plastdelar, frigolit etc.) utom räckhåll för barn för att undvika kvävningsrisk. .

Använd inte apparaten om du är blöt eller barfota.
Använd aldrig apparaten för ångrengöring – risk för elstöt.

Förpackningsmaterialet är 100 % återvinningsbart och är märkt med symbolen för återvinning



Fläktens utseende kan skilja sig från illustrationen i ritningarna i denna handbok men alla anvisningar för användning, underhåll och installation förblir desamma.

Följ noga instruktionerna i denna manual. Tillverkaren fransäger sig allt ansvar för eventuella funktionsfel, skador eller bränder som uppstår på apparaten på grund av att instruktionerna i denna manual inte har respekterats. Fläkten har tillverkats för utsugning av matos och ånga som bildas vid matlagning och är endast ämnad för privat bruk.

- Det är viktigt att spara denna manual så att den när som helst är tillgänglig för framtida konsultationer. I händelse av försäljning, överlåtelse eller flytt skall manualen alltid följa med produkten.
- Läs instruktionerna noga: dessa tillhandahåller viktig information beträffande installation, användning och säkerhet.
- Utför inga elektriska eller mekaniska ändringar på produkten eller avledningskanalerna.
- Kontrollera innan apparaten installeras att inga komponenter är skadade. Kontakta i sådant fall återförsäljaren innan installationen utförs.

Minsta tillåtna avstånd mellan kokkärlets stödyta på spishällen och köksfläktens underkant är 50cm om det är frågan om en elektrisk spis och 65cm om det är frågan om gasspis eller kombinerad gashäll.

Om spishällens instruktioner anger ett större avstånd skall detta respekteras.

ELANSLUTNING

Nätspänningen skall motsvara spänningen som anges på märkplåten som sitter inne i fläkten. Om fläkten är utrustad med stickkontakt skall denna anslutas till ett uttag som är lättillgängligt även efter installationen och som uppfyller gällande föreskrifter. I det fall fläkten saknar stickkontakt (*direktanslutning till nätet*), eller om uttaget är placerat på en svåråtkomlig plats skall en godkänd tvåpolig strömbrytare installeras som garanterar en fullkomlig frånkoppling från nätet i samband med överspänningsklass III, i enlighet med installationsbestämmelserna.

⚠ VARNING!

Kontrollera innan fläktens krets ansluts med nätspänningen att den fungerar korrekt och är korrekt monterad.
Om kabeln inte är försedd med stickpropp ska kablarna anslutas enligt följande tabell:

Nätspänning och frekvens

Hänvisa till det värde som anges på etiketten på insidan av fläkten.

Trådanslutning



: gul/grön

N : blå

L : brun

Utbyte av matarkabel

Fläkten är försedd med en speciell elkabel, kontakta därför vårt tekniska servicekontor om kabeln skadats.

LUFTUTSLÄPP

MED FILTER ELLER UTSUG?

! Din fläkt har projekterats uteslutande för att användas i filtrerande version

Filtreringssystemet förutsätter ett aktivt High Performance kolfilter

Obs: på grund av dess tekniska egenskaper är det inte möjligt att använda fläkten i utsugningsversionen

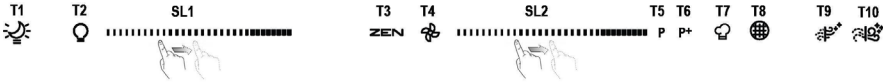
Viktigt! För att utföra installationen krävs ett flexibelt rör

Filterversion

Den utsugna luften avfettas och befrias från odörer innan den leds ut i lokalen igen. När fläkten används med denna version är det nödvändigt att installera ett extra aktivt kolfiltersystem.

KOMMANDON

Fläkten är utrustad med en manöverpanel med en hastighetskontroll och en strömbrytare för spishällens belysning.



- T1. Bakgrundsbelysning PÅ/AV
- T2. Spisbelysning PÅ/AV – välj färgtemperatur
- T3. ZEN-driftläge
- T4. Motor PÅ/AV
- T5. Funktionen "POWER BOOST 1"
- T6. Funktionen "POWER BOOST 2"
- T7. Automatläget "Cook Sense"
- T8. Filter mättat-indikator
- T9. Driftläge "Daily Air Sense" PÅ/AV
- T10. Driftläge "Air Sense – intensiv" PÅ/AV

T1. BAKGRUNDSBELYSNING PÅ/AV

Tryck på symbolen för att tända eller släcka den dämpade bakgrundsbelysningen.

T2. SPISBELYSNING PÅ/AV – VÄLJ FÄRGTEMPERATUR

Tryck på symbolen för att tända eller släcka spisbelysningen.

• När belysningen är tänd kan du dra med fingret åt höger eller vänster över **SL1**-ljusremsan för att öka eller minska ljusstyrkan.

För att ställa in ljusstyrkningen

- Tryck (och håll in) igen,
- dra med fingret åt höger eller vänster över **SL1**-ljusremsan för att göra ljusstyrkan kallare eller varmare.

När fem sekunder har gått efter att ändringen gjorts börjar **SL1** att blinka med den färginställning du har valt och en ljudsignal hörs. Det betyder att inställningen har sparats.

Observera: Belysningen tänds med den ljusstyrka som ställdes in senaste gången du stängde av apparaten.

T3. ZEN-DRIFTLÄGE

Tryck på symbolen för att aktivera eller avaktivera "ZEN"-frånluftsläge.

Funktionen aktiverar ett frånluftsläge med perfekt balans mellan ljudnivå och fläkteffektivitet.

T4. MOTOR PÅ/AV

Tryck på symbolen för att sätta på eller stänga av frånluftsmotorn.

• När motorn är på kan du dra med fingret åt höger eller vänster över **SL2**-ljusremsan för att öka eller minska frånluftshastigheten.

T5. FUNKTIONEN "POWER BOOST 1"

Tryck på T5 medan frånluftsmotorn är på för att aktivera **det intensiva frånluftsläget "POWER BOOST 1"** (tidsstyrt).

Observera: fläkten återgår till tidigare hastighetsnivå efter fem minuter.

T6. FUNKTIONEN "POWER BOOST 2"

Tryck på T6 medan frånluftsmotorn är på för att aktivera **det intensiva frånluftsläget "POWER BOOST 2"** (tidsstyrt).

Observera: fläkten återgår till tidigare hastighetsnivå efter fem minuter.

T7. AUTOMATLÄGET "COOK SENSE"

Fläkten ökar automatiskt frånluftshastigheten till nivå 1 om sensorn i fläkten känner av att omgivningsförhållandena kräver det. Om omgivningsförhållandena inte ändras och fläkten redan körs på hastighetsnivå 1, stängs fläkten av efter fem minuter.

Observera: för att funktionen ska kunna användas korrekt måste **parametrarna för automatiskt läge konfigureras** enligt anvisningarna i relevant avsnitt.

Observera: om du ändrar någon av de andra funktionerna när fläkten körs i automatiskt läge stängs "Cook Sense"-funktionen av.

T8. INDIKERINGAR FÖR MÄTTAT FILTER

Med jämna mellanrum indikerar fläkten att filterunderhåll krävs.

Observera: Indikeringarna visas bara när fläkten är på.

T8-knappen lyser: Utför underhåll på fettfiltret.

T8-knappen blinkar: Utför underhåll på kolfiltret.

Återställning av indikeringar för mättat filter:

Observera: Åtgärden kan bara utföras när fläkten är på.

Tryck på och håll ner **T8**-knappen.

Aktivera indikering för mättat kolfilter

Observera: Åtgärden kan bara utföras när frånluftsmotorn är avstängd.

Indikatorn är normalt avaktiverad – tryck på och håll ner knapparna **T3** och **T10** samtidigt för att aktivera funktionen: Knapparna tänds – funktionen har aktiverats.

För att avaktivera funktionen trycker du på och håller ner samma knapp (**T3** och **T10**): Knapparna börjar blinka och släcks sedan – funktionen har avaktiverats.

T9. DRIFTLÄGE "DAILY AIR SENSE" PÅ/AV

Fläkten ökar automatiskt frånluftshastigheten till nivå **1** om sensorn i fläkten känner av att omgivningsförhållandena kräver det.

Om omgivningsförhållandena inte gör att hastigheten ändras igen, stängs fläkten av efter två timmar.

Fläkten stängs alltid av efter fem timmars användning, oberoende av driftläge.

Observera: för att funktionen ska kunna användas korrekt måste **parametrarna för automatiskt läge konfigureras** enligt anvisningarna i relevant avsnitt.

T10. DRIFTLÄGE "AIR SENSE – INTENSIV" PÅ/AV

Fläkten ökar automatiskt frånluftshastigheten till nivå **5** om sensorn i fläkten känner av att omgivningsförhållandena kräver det.

Om omgivningsförhållandena inte gör att hastigheten ändras igen, stängs fläkten av efter två timmar.

Fläkten stängs alltid av efter fem timmars användning, oberoende av driftläge.

Observera: för att funktionen ska kunna användas korrekt måste **parametrarna för automatiskt läge konfigureras** enligt anvisningarna i relevant avsnitt.

KONFIGURERA PARAMETRARN FÖR AUTOMATISKT LÄGE

För att automatiska funktioner ska kunna fungera korrekt måste du kalibrera fläkten och välja spistyp.

Kalibrera fläkten

Observera: åtgärden ska utföras med apparaten i standby-läge, det vill säga en minut efter att motorn har stängts av.

Tryck på och håll ner **T4**-knappen i fem sekunder.

Frånluftshastighet **1** aktiveras och **T4**-knappen börjar blinka för att indikera att fläktkalibrering pågår (kalibreringen tar cirka 15 minuter).

Observera: Tryck på och håll ner **T4**-knappen i fem sekunder för att stoppa kalibreringsprocessen. Kalibreringen avbryts och måste då utföras igen.

Observera: Kalibrering utförs automatiskt när produkten ansluts till elnätet och sätts på första gången. **T4** blinkar. Vänta i 15 minuter tills kalibreringen har avslutats.

Välja spistyp

Observera: åtgärden ska utföras med apparaten i standby-läge, det vill säga en minut efter att motorn har stängts av.

Tryck på och håll ner knapparna **T9** och **T10** i fem sekunder.

Knapparna **T9** och **T10** tänds.

Om du använder gasspis trycker du på knappen **T9** – knappen börjar blinka för att indikera att detta alternativ har valts.

Om du använder elspis trycker du på knappen **T10** – knappen börjar blinka för att indikera att detta alternativ har valts.

Knappen blinkar sedan i tre sekunder för att indikera att valet har sparats.

UNDERHÅLL

Rengöring

Använd endast en trasa fuktad med neutrala rengöringsmedel vid rengöring. **Använd inte några verktyg eller instrument för rengöringen!**

Undvik produkter som innehåller slipmedel. **ANVÄND INTE ALKOHOL!**

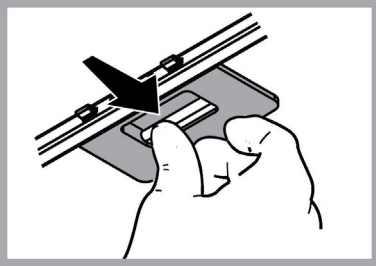
Skötsel av avfettningsfilter

Detta suger upp fettpartiklar som bildas i samband med matlagningen.

Filtret skall rengöras en gång i månaden (eller när indikatorn för filtrets mättning – om sådan finns på er modell – anger att detta är nödvändigt), med ett mildt rengöringsmedel, för hand eller i diskmaskin, med låg temperatur och kort program.

Vi tvätt i diskmaskin kan fettfiltret av metall missfärgas utan att detta på något sätt påverkar filtrets uppsugningsförmåga.

När filtret skall monteras ur drar man i handtaget som lossas med hjälp av en fjäder.



Skötsel av kolfilter

Kolfiltret fångar upp obehagliga odörer som uppstår i samband med matlagningen.

Det tar ganska lång tid innan kolfiltret blir mättat, men exakt hur lång tid det tar beror på typ av matlagning och hur ofta fettfiltret rengörs.

Under alla omständigheter måste filterpatronen bytas vart femte år.

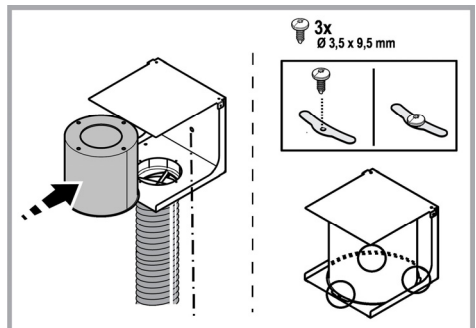
Det går inte att diska eller återvinna patronen.

För optimal filtreringseffekt är filtret större än standardfiltret och sitter i en hållare ovanför fläkten.

Montera eller byta kolfiltret

1. Koppla bort fläkten från elnätet.
2. Sätt i det cylindriska filtret inuti hållaren.
3. Sätt fast filtret med de skruvar och plattor och som medföljer apparaten.

Följ anvisningarna i omvänd ordning för att ta bort filtren.



Utbyte av lampor

Fläkten är utrustad med ett belysningsssystem som bygger på lysdiodsteknologi.

Lysdioderna garanterar optimal belysning, upp till 10 gånger längre livslängd jämfört med konventionella lampor och möjliggör en energibesparing på 90%.


Kontakta den auktoriserade reservdelsåterförsäljaren vid byte av lampor.

BORTSKAFFNING

Denna produkt är märkt enligt EG-direktiv 2012/19/EC beträffande elektriskt och elektroniskt avfall (Waste Electrical and Electronic Equipment, WEEE).

Genom att säkerställa en korrekt kassering av denna produkt bidrar du till att förhindra potentiella, negativa konsekvenser för vår miljö och vår hälsa, som annars kan bli följden om produkten inte hanteras på rätt sätt.



Symbolen  på produkten, eller i medföljande dokumentation, indikerar att denna produkt inte får behandlas som vanligt hushållsavfall. Den skall i stället lämnas in på en lämplig uppsamlingsplats för återvinning av elektrisk och elektronisk utrustning. Produkten måste kasseras enligt lokala miljöbestämmelser för avfallshantering.

För mer information om hantering, återvinning och återanvändning av denna produkt, var god kontakta de lokala myndigheterna, ortens sophanteringstjänst eller butiken där produkten inhandlades.

Apparat utformad, testad och tillverkad i enlighet med:

- Säkerhet: EN/IEC 60335-1; EN/IEC 60335-2-31, EN/IEC 62233.
- Prestanda: EN/IEC 61591; ISO 5167-1; ISO 5167-3; ISO 5168; EN/IEC 60704-1; EN/IEC 60704-2-13; EN/IEC 60704-3; ISO 3741; EN 50564; IEC 62301.
- EMC: EN 55014-1; CISPR 14-1; EN 55014-2; CISPR 14-2; EN/IEC 61000-3-2; EN/IEC 61000-3-3. Råd för en korrekt användning för att minska miljöpåverkan: Sätt PÅ fläkten på minsta farten när du börjar att laga mat och låt den vara på i några minuter efter att du är färdig. Öka farten bara om det skulle uppstå mycket rök och ånga och använd ökad fart bara i extrema fall. Byt ut kolfiltret(en) vid behov för att bevara en god lukt och effektivitet. Rengör fettfiltret vid behov för att bevara fettfiltrets effektivitet. Använd den maximala diametern på ventilationssystemet som indikeras i denna manualen för att förbättra effektiviteten och minimera oljudet.

FUNKTIONSFEL

Om något inte verkar fungera, utför först följande enkla kontrollera innan servicekontoret kontaktas:

- Om fläkten inte fungerar:
Kontrollera att:
 - inget strömavbrott förekommer.
 - en hastighet valts.
- Om fläktens prestanda är dålig:
Kontrollera att:
 - Den valda motorhastigheten är tillräcklig för mängden rök och avgas som släpps ut.
 - Köket är tillräckligt ventilerat för ett luftuttag.
 - Kolfiltret inte är förbrukat (fläkt i filterversion).
- Om fläkten släckts under normal funktion:
Kontrollera att:
 - inget strömavbrott förekommer.
 - den omni-polära öppningsanordningen inte utlösts.

Vid eventuella funktionsfel, koppla först ifrån apparaten ur elnätet i cirka 5 sekunder genom att dra ur kontakten och sedan ansluta apparaten igen, innan servicekontoret kontaktas. Om ett funktionsfel kvarstår, kontakta servicekontoret.

TEKNISKA SPECIFIKATIONER

Höjd (cm)	Bredd (cm)	Djup (cm)	Ø på frånlufts rör (cm)
110-129,5	89,8	32	15

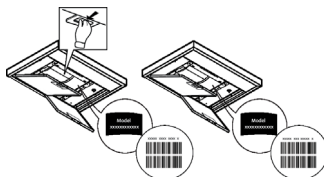


Komponenter som inte medföljer produkten



Du kan ladda ner Säkerhetsinstruktioner, Bruksanvisning, Produktblad och Energidata genom att:

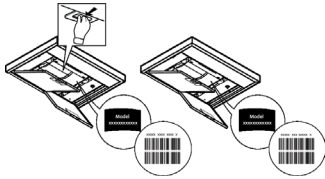
- Besöka vår webbsida docs.whirlpool.eu
- Använda QR-koden
- Eller kontakta vår kundservice (Se telefonnumret i garantihäftet). När du kontaktar vår kundservice, ange koderna som står på produktens typskylt.



البيانات التقنية

الارتفاع (سم)	العرض (سم)	العمق (سم)	Ø أنبوب الصرف (سم)
129.5-110	89.8	32	15

مكونات غير مزودة مع الجهاز



من أجل تنزيل تعليمات السلامة ودليل مداخلتسلا والوثيقة الفنية وبيانات الطاقة:


- زوروا موقعنا الإلكتروني docs.whirlpool.eu
- استخدم رمز الكشف السريع QR
- أو، اتصل بخدمة الدعم الفني (على رقم الهاتف الوارد على كتيب الضمان). عند الاتصال بمركز الدعم الفني، قم بتزويدهم بالأكواد الموجودة على لوحة الرقم المسلسل للمنتج.



التخلص من الجهاز

يحمل هذا الجهاز علامة التوافق مع التوجيه الأوروبي EC/19/2012، والخاص بنفايات المعدات والأجهزة الكهربائية والإلكترونية (WEEE). عند قيام المستخدم بالتخلص من الجهاز بعد انتهاء عمره التشغيلي بالشكل الصحيح، فإنه بذلك يُسهم في تدارك حدوث أية عواقب سلبية أو أضرار على البيئة وعلى الصحة.



يشير الرمز  الموجود على المنتج أو على الوثائق المرفقة إلى أن هذا المنتج لا يجب التعامل معه في نهاية عمره التشغيلي على أنه أحد النفايات المنزلية العادية ولكن يجب تسليمه إلى مركز مختص بتجميع الأجهزة الكهربائية والإلكترونية وإعادة تدويرها. تخلّص من هذا الجهاز وفقاً للقوانين المحلية بشأن التخلص من النفايات. لمزيد من المعلومات حول معالجة هذا المنتج وإعادة استخدامه وإعادة تدويره، يُرجى الاتصال بالمكتب المحلي المختص، أو بخدمة جمع النفايات المنزلية، أو بالمتجر الذي اشترت منه هذا الجهاز.

تم تصميم هذا الجهاز وتصنيعه واختباره تشغيلياً وفقاً للمواصفات التالية:

- الأمن والسلامة: EN/IEC 60335-1؛ EN/IEC 60335-2-31؛ EN/IEC 62233.
- الأداء التشغيلي: EN/IEC 60704-1؛ EN/IEC 60704-2-13؛ EN/IEC 60704-3؛ ISO 3741؛ EN 50564؛ IEC 62301.
- الكهرومغناطيسي: EN/IEC 61000-3-2؛ EN/IEC 61000-3-3؛ EN/IEC 61000-3-2؛ EN/IEC 61000-3-2؛ CISPR 14-1؛ CISPR 14-2؛ EN 55014-1؛ EN 55014-2؛ CISPR 14-1؛ CISPR 14-2.
- اقتراحات لكيفية استخدام الجهاز بالشكل الصحيح بغرض تقليل الأثر البيئي له: عند بدء عملية الطهي، أوقِد الشفّاط على الحد الأدنى للسرعة، مع تركه يعمل أيضاً ليضع دقائق بعد الانتهاء من عملية الطهي. لا تقم بزيادة السرعة إلا في حالة الكميات الكبيرة من الدخان والبخار، مع استخدام وظيفة الجهاز المعزز في الحالات القصوى فقط. من أجل الحفاظ على الفعالية الجيدة لجهاز تخفيض الروائح، استبدل، عندما يلزم، مرشح/مرشحات الكربون. من أجل الحفاظ على الفعالية الجيدة لمرشح الدهون، قم بتنظيفه في حالة الضرورة. من أجل تحسين الفعالية للحد الأمثل وتقليل الضوضاء للحد الأدنى، استخدم أقصى قطر لنظام الأنابيب المشار إليه في هذا الكتيب.

خلل أو عطل التشغيل

إن كان شيء ما لا يبدو أنه يعمل، قبل الاتصال بخدمة الدعم الفني قم بتنفيذ الفحوصات البسيطة التالية:

- إذا كان الشفّاط لا يعمل:
 - لا يوجد انقطاع في التيار.
 - تم اختيار سرعة.
 - إذا كانت كفاءة الشفّاط منخفضة:
 - تحقق من أنه:
 - سرعة المحرك المختارة كافية لكمية العادم والأبخرة الصادرة.
 - تهوية المطبخ كافية لكي تسمح بتجديد الهواء.
 - مرشح الكربون غير مستهلك (الشفّاط بإصدار الترشيح).
 - إذا انطفأ الشفّاط أثناء التشغيل العادي:
 - تحقق من أنه:
 - لا يوجد انقطاع في التيار.
 - جهاز القطع أحادي القطب غير مفعّل.

في حالة أعطال التشغيل المحتملة، قبل توجهكم إلى خدمة الدعم الفني افصلوا الجهاز لمدة 5 ثوانٍ من التغذية الكهربائية عن طريق نزع القابس ثم أعيدوا توصيله من جديد. في حالة استمرار عطل التشغيل، توجه إلى خدمة الدعم الفني.

التنظيف

للقيام بعملية التنظيف استخدم فقط وحصريًا قطعة قماش مبلّلة بمنظفات سائلة محايدة. لا تستخدم أية أدوات أو معدّات للقيام بالتنظيف!
تجنب استخدام المنتجات المحتوية على مواد كاشطة. لا تستخدم الكحول!

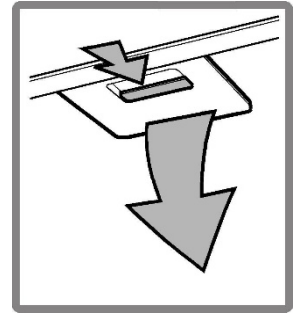
صيانة مرشحات إزالة الدهون

يجب الرواج الكريهة الناتجة عن عملية الطهي.

يجب تنظيفه مرة واحدة كل شهر (أو عندما يُشير نظام التنبيه الخاص بتشبع المرشحات - إذا ما نُصِرَ على ذلك في الموديل المملوك - فإنه يشير إلى ضرورة القيام بتنظيفها)، باستخدام منظّفات غير عدوانية، سواء بشكل يدوي أو في غسالة الأطباق بدرجات حرارة منخفضة وبدورة تنظيف قصيرة.

عند الغسيل في غسالة الأطباق فإن مرشح إزالة الدهون المعدني يمكن أن يفقد لونه ولكن خصائصه ومواصفاته المتعلقة بعملية الترشيح لا تتغير مطلقًا.

لإزالة مرشّح الدهون قم بشد مقبض الفك ذي النابض.



صيانة مرشح الكربون

يجب الرواج الكريهة الناتجة عن عملية الطهي.

يحدث تشبع لمرشح الكربون بعد الاستخدام لفترة طويلة على وجه التقريب، وهذا يتوقف على نوع المطبخ وانتظام تنظيف مرشح الدهون.

وعلى أية حال، من الضروري استبدال الخرطوشة كل 5 سنوات على الأقل.

لا يجوز غسله أو إعادة استخدامه

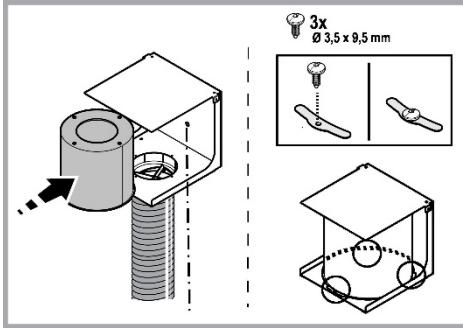
للحصول على أداء شغظ ممتاز، يكون المرشح أكبر من المرشحات القياسية، ويتم تثبيته على دعامة أعلى الشفاط.

1. افصل الشفاط عن الشبكة الكهربائية.

2. قم بإدخال المرشح الأسطواني داخل الدعامة.

3. تُثبِت المرشح باستخدام البراغي واللوحات الموردة.

من أجل الفك اعمل بطريقة عكسية.



استبدال المصابيح

تم تزويد الشفاط بنظام إضاءة يقوم على تكنولوجيا الـ LED.

مصابيح الإضاءة LED تضمن توفير إضاءة ممتازة ومثالية، وتستمر حتى 10 مرات أطول من المصابيح العادية التقليدية وتسمح بتوفير حتى 90% من الطاقة الكهربائية المستخدمة للمصابيح التقليدية.

لاستبدال المصابيح، اتصل بالمركز المعتمد لقطع الغيار.

T6. وظيفة "2 BOOST POWER"

ومحرك الشفط يعمل، اضغط على T6 لتنشيط سرعة الشفط الكثيف "2 BOOST POWER" (موقوت). ملاحظة: بعد 5 دقائق يستمر الشفط في التشغيل بالسرعة المضبوطة مسبقاً.

T7. الوضع الأوتوماتيكي "SENSE COOK"

يضبط الشفط أوتوماتيكياً سرعة الشفط 1 لزيادتها إذا كانت الظروف البيئية التي اكتشفها حساس الشفط تتطلب ذلك. في حالة عدم حدوث تغيرات في الظروف البيئية، يتم إطفاء الشفط بعد 5 دقائق (إذا كان الشفط بالفعل على سرعة الشفط 1). ملحوظة: من أجل الاستخدام الصحيح لهذه الوظيفة، قم أولاً بتنفيذ "ضبط معايير التشغيل الأوتوماتيكي" (انظر الفقرة ذات الصلة). ملحوظة: إذا تم العمل على الوظائف الأخرى التي تنظم السرعة أثناء التشغيل الأوتوماتيكي، فإنه سيتم إيقاف تنشيط وظيفة "Cook Sense".

T8. مؤشر تشبع المرشحات

يبنى الشفط على فترات منتظمة بضرورة القيام بصيانة المرشحات. ملاحظة: سيتم تفعيل المؤشرات والشفط موقد. مفتاح T8 مضيء: قم بتنفيذ صيانة مرشح الدهون. مفتاح T8 وامض: قم بتنفيذ صيانة مرشح الكربون. إعادة ضبط RESET مؤشرات التنبيه بامتلاء وتشبع المرشحات: ملاحظة: يجب إجراء هذه العملية والشفط شغلاً. اضغط طويلاً على مفتاح T8.

تفعيل مؤشر تشبع مرشح الكربون

ملاحظة: يجب أن تتم هذه العملية ومحرك الشفط مطفاً. عادة ما يتم إيقاف تنشيط هذا المؤشر عن طريق الضغط على المفاتيح T3 و T10 في نفس الوقت ضغطة طويلة لتنشيط الوظيفة: يضئ المفاتيح للإشارة إلى إتمام حدوث التنشيط. لإيقاف تنشيط الوظيفة، اضغط على نفس المفاتيح مرة أخرى (T3 و T10) ضغطة طويلة: يومض المفاتيح وميضاً قصيراً، ثم ينطفئان، للإشارة إلى إتمام حدوث إيقاف التنشيط.

T9. تنشيط/إيقاف تنشيط وضع «الاستشعار اليومي للهواء» "SENSE AIR DAILY"

يضبط الشفط أوتوماتيكياً سرعة الشفط 1 لزيادتها إذا كانت الظروف البيئية التي اكتشفها حساس الشفط تتطلب ذلك. في حالة عدم حدوث تغيرات في سرعة الشفط، بناءً على الظروف البيئية المكتشفة، يتم إيقاف الشفط بعد ساعتين. في جميع الأحوال، بعد 5 ساعات يتم إيقاف تنشيط الشفط، بشكل قسري. ملحوظة: من أجل الاستخدام الصحيح لهذه الوظيفة، قم أولاً بتنفيذ "ضبط معايير التشغيل الأوتوماتيكي" (انظر الفقرة ذات الصلة). T10. تنشيط/إيقاف تنشيط وضع «استشعار الهواء الكثيف» "SENSE AIR INTENSIVE"

يضبط الشفط أوتوماتيكياً سرعة الشفط 5 لزيادتها إذا كانت الظروف البيئية التي اكتشفها حساس الشفط تتطلب ذلك. في حالة عدم حدوث تغيرات في سرعة الشفط، بناءً على الظروف البيئية المكتشفة، يتم إيقاف الشفط بعد ساعتين. في جميع الأحوال، بعد 5 ساعات يتم إيقاف تنشيط الشفط، بشكل قسري. ملحوظة: من أجل الاستخدام الصحيح لهذه الوظيفة، قم أولاً بتنفيذ "ضبط معايير التشغيل الأوتوماتيكي" (انظر الفقرة ذات الصلة).

ضبط معايير التشغيل الأوتوماتيكي

بهدف الاستخدام الصحيح للتشغيل الأوتوماتيكي، قم بتنفيذ «معايرة الشفط» و «اختيار موقد الطهي».

معايرة الشفط

ملحوظة: يجب تنفيذ هذه العملية في وضع الاستعداد، أي بعد 1 دقيقة من إطفاء المحرك.

اضغط على المفتاح T4 لمدة 5 ثوانٍ.

تبدأ سرعة الشفط 1 في العمل ويومض المفتاح T4 للإشارة إلى أن معايرة الشفط قد بدأت وستستمر لمدة 15 دقيقة تقريباً. ملحوظة: من أجل قطع المعايرة، اضغط على T4 لمدة 5 ثوانٍ؛ سيتم إلغاء المعايرة، وبالتالي يجب تكرارها. ملحوظة: عند تغذية المنتج لأول مرة بالتيار، يتم تنفيذ المعايرة أوتوماتيكياً: T4 وامض؛ ثم انتظر 15 دقيقة حتى تكتمل المعايرة.

اختيار موقد الطهي

ملحوظة: يجب تنفيذ هذه العملية في وضع الاستعداد، أي بعد 1 دقيقة من إطفاء المحرك.

اضغط على المفاتيح T9+T10 لمدة 5 ثوانٍ.

يضئ المفاتيح T9 و T10.

اضغط على مفتاح T9 في حالة موقد الطهي بالغاز - يومض المفتاح للإشارة إلى إتمام الاختيار.

اضغط على مفتاح T10 في حالة موقد الطهي الكهربائي - يومض المفتاح للإشارة إلى إتمام الاختيار.

سيومض المفتاح المضغوط لمدة 3 ثوانٍ، للإشارة إلى إتمام حفظ الاختيار.

موديل الترشيح أو موديل الشفط؟

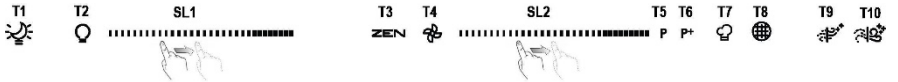
! تم تصميم هذا الشفط للاستخدام فقط في إصدار الترشيح.
يشمل نظام الترشيح كربون نشط عالي الأداء.
ملاحظة: بموجب خصائصه التقنية، لا يمكن استخدام الشفط كجهاز شفط.
هام! إجراء التركيب، يجب استخدام أنبوب من النوع المرن.

موديل الترشيح

يتم تخليص الهواء المشفوط من الدهون ثم إزالة الروائح الكريهة منه قبل إعادة ضخه في الغرفة. قبل استخدام الشفط بموديل الترشيح يجب تركيب نظام ترشيح إضافي يعمل بالكربون النشط.

أوامر التحكم

تم تزويد الشفط بلوحة أوامر ومفاتيح تشغيل من خلالها يتم التحكم في سرعات الشفط وإضاءة مصابيح إنارة موقد الطهي المسطح.



- T1. إشعال/إطفاء «الضوء الليلي»
- T2. إشعال/إطفاء مصابيح سطح موقد الطهي – اختيار حرارة اللون
- T3. التشغيل في «طريقة ZEN»
- T4. مفتاح تشغيل \ إيقاف OFF/ON المحرك
- T5. وظيفة «BOOST 1»
- T6. وظيفة «BOOST 2»
- T7. الوضع الأوتوماتيكي «Sense Cook»
- T8. مؤشر تتبع المرشحات
- T9. تنشيط/إيقاف تنشيط وضع «Sense Air Daily»
- T10. تنشيط/إيقاف تنشيط وضع «Sense Air Intensive»

- T1. إشعال/إطفاء «الضوء الليلي»
- اضغط لتشغيل / إيقاف الإضاءة المحيطة المنتشرة.
- T2. إشعال/إطفاء مصابيح موقد الطهي – اختيار حرارة اللون
- اضغط لإيقاف/إطفاء إضاءة موقد الطهي المسطح.
- والمصابيح مضاءة، قم بتمرير شريط قطاع الليد SL1 بالأصابع نحو اليمين أو نحو اليسار على التوالي من أجل زيادة أو تخفيض كثافة الضوء.
- من أجل ضبط حرارة لون الإضاءة
- اضغط مجدداً (طويلاً)
- قم بتمرير شريط قطاع الليد SL1 بالأصابع نحو اليمين أو نحو اليسار من أجل الحصول على ضوء أكثر برودة أو أكثر حرارة.
- إذا لم يتم تنفيذ تغييرات في اللون لمدة 5 ثوانٍ ، فإن SL1 سيومض على مستوى اللون المضبوط وستشير إشارة صوتية إلى أن النظام قد حفظ الإعداد المضبوط.
- ملحوظة: يتم إشعال الضوء على آخر كثافة تم ضبطها قبل الإطفاء.
- T3. التشغيل في «طريقة ZEN»
- اضغط لتفعيل/إيقاف طريقة الشفط «ZEN».
- تسمح هذه الخاصة بتفعيل سرعة الشفط التي تجمع بأفضل طريقة بين سمت التشغيل وكفاءة الشفط.
- T4. تشغيل/إيقاف (OFF/ON) المحرك
- اضغط من أجل إشعال/إطفاء محرك الشفط.
- والمحرك يعمل، قم بتمرير شريط قطاع الليد SL2 بالأصابع نحو اليمين أو نحو اليسار على التوالي من أجل زيادة أو تخفيض سرعة الشفط.
- T5. وظيفة «BOOST 1»
- والمحرك يعمل، اضغط على T5 من أجل تنشيط سرعة الشفط الكثيف «POWER BOOST 1» (موقت).
- ملاحظة: بعد 5 دقائق يستمر الشفط في التشغيل بالسرعة المضبوطة مسبقاً.

⚠️ هذا الجهاز غير مخصص للاستخدام المهني. لا تستخدم الجهاز في مكان مفتوح.

⚠️ من أجل تجنب خطر الإصابات الشخصية، يجب تحريك الجهاز وتركيبه بواسطة شخصين أو أكثر.

⚠️ يجب إجراء التركيب من قِبل طاقم عمل مؤهل، بما في ذلك أيضاً أية توصيلات للتغذية بالماء (إن وجدت) والتوصيلات الكهربائية، وعمليات الإصلاح.

عند اكتمال التركيب، احتفظ بمواد التغليف (الأجزاء البلاستيكية، البوليسترين، الخ) بعيداً عن متناول الأطفال لتجنب خطر الاختناق .

لا تستخدم الجهاز عندما تكون مبتلاً أو حافي القدمين.

لا تستخدم أبداً أجهزة التنظيف بالبخار – يوجد خطر التعرض لصدمة كهربائية.



مواد التغليف قابلة لإعادة التدوير بنسبة 100% وتحمل رمز إعادة التدوير

يمكن للشفاط من الناحية الشكلية الجمالية أن يختلف عن تصميمات الشفاطات الواردة في هذا الدليل، ولكن بالرغم من ذلك فإن تعليمات الاستخدام والصيانة والتركيب تظل نفسها.

يرجى اتباع التعليمات والإرشادات الواردة في هذا الدليل والالتزام التام بها. لا تتحمل الشركة المصنعة أية مسؤولية أياً كانت عن أية مشاكل أو أضرار أو حرائق تلحق بالجهاز نتيجة لعدم مراعاة التعليمات الواردة في هذا الدليل. تم تصميم هذا الشفاط لشطف الأبخرة والأبخرة الناتجة عن عمليات الطهي وهو مخصص فقط للاستخدام المنزلي.

- من المهم حفظ جميع الكتيبات المرافقة للمنتج للمُتَمَكِّن من الإطلاع عليها مستقبلاً عند الحاجة إلى ذلك. في حالة البيع أو التنازل أو النقل، تأكد من أن الكتيبات تبقى مع المنتج.
- اقرأ بعناية التعليمات والإرشادات التي توجد معلومات هامة بشأن التركيب والاستخدام والأمان.
- لا تُنفَّذ تعديلات كهربائية أو ميكانيكية على المنتج أو على أنابيب الصرف.
- تحقق من سلامة الشفاط واكتمال مكوناته قبل الشروع في عملية التركيب. خلاف ذلك يجب الاتصال بوكيل التوزيع ويجب إيقاف عملية التركيب.

المسافة الصغرى بين سطح دعامة الأواني على الموقد والجزء السفلي من شفاط الموقد يجب ألا تقل عن 50 سم في حالة المواقد الكهربائية و 65 سم في حالة المواقد التي تعمل بالغاز أو المختلطة.

إذا ما كانت التعليمات الخاصة بتركيب جهاز الطهي الذي يعمل بالغاز تحدد مسافة فاصلة أكبر، فإنه يجب أخذ ذلك في الاعتبار.

التوصيل الكهربائي

يجب أن يتوافق تردد وفلطية التيار الموجود في شبكة التيار الكهربائي المنزلية مع تردد وفولطية التيار المحدد لتشغيل الشفاط والمذكور على لوحة البيانات التعريفية والمواصفات الموجودة داخل الشفاط. في حالة وجود قابس تيار قم بتوصيل الشفاط بأخذ تيار مطابق للقواعد والقوانين المعمول بها في هذا الشأن والذي يجب تواجده في منطقة قريبة سهلة الوصول إليها أيضاً بعد إتمام عملية التركيب. في حالة عدم وجود قابس التيار (للتوصيل المباشر بشبكة التيار) أو في حالة أن قابس التيار موجود في مكان بعيد صعب الوصول إليه، حتى بعد إتمام عملية التركيب، قم بوضع مفتاح قطع وتوصيل تيار ثنائي الأقطاب مطابق للمواصفات التي تضمن الفصل الكامل للتيار الكهربائي في حالات الحملات الكهربائية الزائدة من الفئة III، بالشكل الذي يتطابق مع قواعد وشروط التركيب.


⚠️ انتبه!

قبل إعادة توصيل دائرة الشفاط بشبكة التيار الكهربائي وقبل التأكد من عمله بالشكل الصحيح، يجب دائماً التأكد أولاً من أن كابل شبكة التيار قد تم تركيبه بالشكل الصحيح.

إن لم يكن الكابل مزوداً بقابس، قم بتوصيل الأسلاك وفقاً للجدول التالي:

توصيل الأسلاك

جهد وتردد الشبكة


: أصفر/أخضر
N : أزرق
L : بني

يرجى الرجوع إلى القيمة المشار إليها في ملصق المواصفات داخل الشفاط.

استبدال كابل التيار الكهربائي

الشفاط مزود بكابل تغذية خاص، في حالة تلف الكابل، اطلبه من خدمة الدعم الفني.

- قبل أية عملية نظافة أو صيانة، افصل الشفط عن الشبكة الكهربائية عن طريق نزع القابس أو فصل المفتاح العام للمنزل.
- من أجل إجراء كافة عمليات التركيب والصيانة استخدم قفازات عمل.
- يمكن استخدام هذا الجهاز من قبل الأطفال الأكبر من سن 8 سنوات والأشخاص الذين يعانون من قصور في قدراتهم البدنية أو الحسية أو العقلية، أو الذين لديهم نقص في الخبرة اللازمة أو المعرفة الضرورية لاستخدام هذا الجهاز شريطة أن يكونوا تحت ملاحظة وإشراف شخص بالغ أو بعد تعريفهم بالإرشادات والتعليمات اللازمة للاستخدام الصحيح لهذا الجهاز وبعد توعيتهم بالأخطار ذات الصلة.
- يجب مراقبة الأطفال حتى لا يلعبوا بالجهاز.
- لا يجب أن تُنفذ النظافة والصيانة من قبل أطفال دون مراقبة.
- يجب توفير تهوية كافية في مكان التركيب خاصة عند استخدام شفاط المطبخ في نفس وقت عمل أجهزة أخرى تعمل بالغاز أو بأي محروقات أخرى.
- يجب أن يُنظف الشفط بصفة متكررة سواء من الداخل أو من الخارج (على الأقل مرة شهرياً)، التزم في جميع الأحوال بما تشير إليه صراحةً تعليمات الصيانة. عدم مراعاة قواعد تنظيف الشفاط وعمليات استبدال وتنظيف المرشحات يسبب أخطار الحرائق.
- ممنوع منعاً باتاً طهي الطعام باللهب تحت الشفاط.
- لاستبدال المصابيح استخدم مصابيح من النوعية المحددة والمذكورة في قسم صيانة استبدال المصابيح في هذا الدليل.
- استخدام اللهب الخرساني للغاية بالمرشحات ويمكن أن يسبب الحرائق، لذلك يجب تجنب القيام بذلك في جميع الأحوال.
- يجب أن يتم القلي تحت مراقبة من أجل تجنب أن يشتعل الزيت الساخن.
- انتبه: عند استخدام موقد الطهي يمكن أن تُصيح الأجزاء القريبة من الشفاط ساخنة.
- لا توصّل الجهاز بشبكة التيار الكهربائي إلا بعد الانتهاء تماماً من عملية التركيب.
- فيما يخص الإجراءات الفنية وتلك الخاصة بالأمن والسلامة والتي يجب اتخاذها لشطف وطراد الأدخنة، يجب الرجوع دائماً إلى ما تنص عليه لوائح وقوانين السلطات المحلية المعنية بهذا الشأن والالتزام بها.
- لا يجب توجيه وطراد الهواء المسحوب من الشفاط في الأبواب المستخدمة لتفريغ وطراد الأدخنة الناتجة عن أجهزة الاحتراق التي تعمل بالغاز أو بأي محروقات أخرى.
- لا تستخدم أو تترك الشفاط دون مصابيح مركبة بشكل صحيح لتجنب خطر الصعق الكهربائي المحتمل.
- لا تقم أبداً باستخدام الشفاط دون شبكة مركبة بشكل جيد!
- لا يجب استخدام الشفاط أبداً كسطح إسناد إلا أن يُشار إلى ذلك صراحةً.
- لا تستخدم إلا مسامير التثبيت المرفقة مع المنتج من أجل التركيب، أو إن لم تكن مرفقة، اشتر نوع المسامير الصحيح.
- استخدم البراغي ذات الأطوال الصحيحة والتي تم تحديدها في دليل عملية التركيب.
- في حالة الشك، استشر مركز الدعم الفني المعتمد أو العمالة المؤهلة المماثلة.

⚠ انتبه!

- عدم تركيب براغي وأجهزة التثبيت بالشكل المحدد في الإرشادات الواردة في هذا الدليل يمكن أن يعرضك لأخطار كهربائية.
- لا تستخدم الجهاز مع أداة برمجة أو مؤقت أو جهاز تحكم عن بعد منفصل أو أي جهاز يتم تنشيطه تلقائياً.

أبغ الأطفال الذين تقل أعمارهم عن 3 سنوات بعيدين عن الجهاز. أبغ الجهاز بعيداً عن الأطفال الذين تقل أعمارهم عن 8 سنوات، في حالة عدم وجود مراقبة مستمرة من أحد البالغين.

⚠ انتبه: الجهاز غير مخصص للتشغيل بواسطة جهاز خارجي أو جهاز تحكم منفصل عن بعد.

