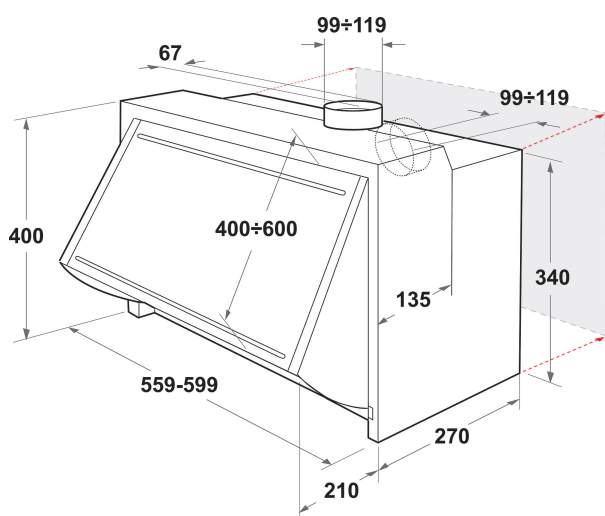


# H 661.1 F (GY)

12NC: F079822

GTIN (EAN) code: 8007842798227

**INDESIT**  
Life proof.



## MAIN FEATURES

Product group	Hood
Colour body	Grey
Material body	Stainless steel
Colour chimney	-
Material chimney	-
Typology	Built-in/Built-under
Installation type	Built-in
Type of control	Mechanical
Type of control settings	-
Decor panel options	-
Motor location	Integrated motor in hood body
Operating Mode	Air extraction only
Electrical connection rating (W)	200
Current (A)	-
Voltage (V)	220-240
Frequency (Hz)	50
Length of Electrical Supply Cord (cm)	-
Plug type	No
Chimney height (mm)	-
Height of product, without chimney (mm)	0
Height of the product	400
Width of the product	600
Depth of the product	270
Minimum niche height	0
Minimum niche width	0
Niche depth	0
Net weight (kg)	8.6

## TECHNICAL FEATURES

Type of manual control devices	Slider
Type of automatic control devices	-
Number of motors	1
Total power of the motors (W)	0
Number of speed settings: boost option availability	3
Boost presence	No
Maximum output air extraction (m <sup>3</sup> /h)	208
Boost position air extraction (m <sup>3</sup> /h)	0
Maximum output recirculating air (m <sup>3</sup> /h)	0
Boost position output recirculating (m <sup>3</sup> /h)	0
Light Control Type	On/Off
Number of lights	2
Type of lamps used	Bulbs
Total power of the lamps (W)	56
Diameter of air outlet (mm)	100
No-return airflow flap	No
Grease filter material	Not washable synthetic
Odour filter	Yes

## PERFORMANCES

Sound power at min. speed (2010/30/EU)	47
Sound power at max. speed (2010/30/EU)	59
Noise level with boost position (dB(A) re 1 pW)	0