



**THANK YOU FOR BUYING A WHIRLPOOL PRODUCT.**  
In order to receive a more complete assistance, please register your appliance on: [www.whirlpool.eu/register](http://www.whirlpool.eu/register)

Before using the appliance carefully read Safety and Installation Instructions. More information about your product available on website: [docs.whirlpool.eu](http://docs.whirlpool.eu)

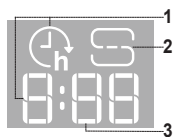
After installation, please remember to remove all transport protection parts from the dishwasher.

## CONTROL PANEL



- ON-OFF/Reset** button with indicator light
- Eco program** button with indicator light
- Rapid program** button with indicator light/ **Prewash program** - 3 sec. press
- Crystals program** button with indicator light/ **Self-Clean program** - 3 sec. press
- Auto programs** buttons with indicator lights - **Auto Intensive** 65°/ **Auto Mixed** 55°/ **Auto Fast** 50°
- Salt reservoir empty** indicator light
- Rinse Aid** reservoir empty indicator light
- Display**
- Program number** and **remaining time** indicator
- Closed water tap** indicator light
- DESCALE** indicator light
- Extra options** buttons with indicator lights - **Half Load/ Silent/ Sani Rinse**
- Power Clean® option** button with indicator light
- Extra Dry option** button with indicator light / **Settings** - 3 sec. press
- Delay option** button with indicator light
- START/Pause** button with indicator light

## DISPLAY ON THE FLOOR



- Delay Time on the floor** - indicator of the time left to the start of the cycle, when the Delay option is set
- Salt reservoir empty** - indicator light on the floor
- Remaining Time on the floor** - indicator of the time left to the end of the cycle

## FIRST TIME USE

### SETTING MENU

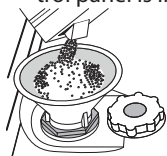
- Switch on the appliance by pressing the **ON-OFF** button.
- Hold the **Settings** (Extra Dry) button for 3 seconds, until you hear a beep and the display shows „**SET**“.
- After one second the first available setting (letter „**h**“) will be displayed.
- Press **Auto programs** / **Extra options** buttons to scroll through the list of available settings (see table below), then press **START/Pause** to view and change the value of currently selected setting.
- Press **Auto programs** / **Extra options** to change the value, then press **START/Pause** to save the new value.
- To change another setting, repeat points 2 and 5.
- Press **ON-OFF** or wait 30 seconds to exit the menu.

LETTER	SETTING	VALUES (Default - in bold)
h	<b>Water Hardness Level</b> (see "SETTING THE WATER HARDNESS" and "WATER HARDNESS TABLE")	1   2   <b>3</b>   4   5
f	<b>Rinse Aid Level</b> (see "ADJUSTING THE DOSAGE OF RINSE AID")	0   1   2   3   4   5
□	<b>NaturalDry</b> (see "OPTIONS AND FUNCTIONS") "1" = On, "0" = Off	1   0
⏰	<b>Time on the floor</b> (see "OPTIONS AND FUNCTIONS") "1" = On, "0" = Off	1   0
🔊	<b>Sound</b> "1" = On, "0" = Off	1   0
⏪	<b>Factory Settings</b> Press <b>START/Pause</b> to restore to the factory default all the values of the settings included in the settings menu.	-

### FILLING THE SALT RESERVOIR

The use of salt prevents the formation of LIMESCALE on the dishes and the machine's functional components. The salt reservoir is located in the lower part of the dishwasher (under the lower rack on the left side).

- It is mandatory that **the salt reservoir never be empty**.
- It is important to set the water hardness.
- Salt must be filled when the **SALT REFILL indicator light** on the control panel is lit.



- Remove the lower rack and unscrew the reservoir cap (anticlockwise).
- Position the funnel (see figure) and fill the salt reservoir right up to its edge (approximately 0,5 kg); it is not unusual for a little water to leak out.
- Only the first time you do this: fill the salt reservoir with water.**

4. Remove the funnel and wipe any salt residue away from the opening. Make sure the cap is screwed on tightly so that no detergent can get into the container during the wash program (this could damage the water softener beyond repair).

**Run a program every time as soon as you completed refilling the salt reservoir to avoid corrosion.**

### Setting the water hardness

To allow the water softener to work in a perfect way, it is essential that the water hardness setting is based on the actual water hardness in your house. This information can be obtained from your local water supplier. The factory setting is "3". See „**WATER HARDNESS TABLE**“.

Level	°dH German degrees	°fH French degrees	°Clark English degrees
1 (Soft)	0 - 6	0 - 10	0 - 7
2 (Medium)	7 - 11	11 - 20	8 - 14
3 (Average)	12 - 16	21 - 29	15 - 20
4 (Hard)	17 - 34	30 - 60	21 - 42
5 (Very hard)	35 - 50	61 - 90	43 - 62

To change, follow instructions in section „SETTING MENU“. **Only use salt that has been specifically designed for dishwashers.** After the salt has been poured into the machine, the SALT REFILL indicator light switches off.

**If the salt container is not filled, the water softener and the heating element may be damaged as a result of limescale accumulation. Use of salt is recommended with any type of dishwasher detergent.**

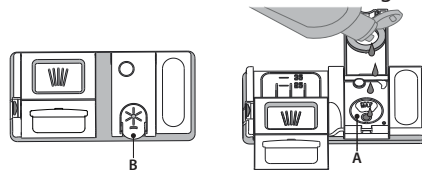
### WATER SOFTENING SYSTEM

Water softener automatically reduces water hardness, consequently preventing scale buildup on the heater, contributing also to better cleaning efficiency. **This system regenerates itself with salt, therefore it is required to refill the salt container when empty.** The frequency of regeneration depends on the water hardness level setting - regeneration takes place once per 4-6 Eco cycles with the water hardness level set to 3. The regeneration process occurs at the beginning of the cycle with additional fresh water.

- Single regeneration consumes: ~3L of water;
- Takes up to 5 additional minutes for the cycle;
- Consumes below 0.005kWh of energy.

### FILLING THE RINSE AID DISPENSER

Rinse aid makes dish DRYING easier. The rinse aid dispenser **A** should be filled when the RINSE AID REFILL indicator light in the control panel is lit.



- Open the dispenser **B** by pressing and pulling up the tab on the lid.
- Pour in the rinse aid (max. 110 ml), making sure it does not overflow from the dispenser. If this happens, clean the spill immediately with a dry cloth.

- Press the lid down until you hear a click to close it. **NEVER pour the rinse aid directly into the appliance tub.**

## Adjusting the dosage of rinse aid

If you are not completely satisfied with the drying results, you can adjust the quantity of rinse aid used.

To change, follow instructions in the section „*SETTING MENU*“.

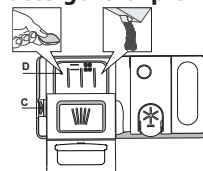
If the rinse aid level is set to ZERO, no rinse aid will be supplied. The **LOW RINSE AID indicator** light will not be lit if you run out of rinse aid.

A maximum of **6** levels can be set according to the dishwasher model.

- If you see bluish streaks on the dishes, set a low number (0-3).
- If there are drops of water or limescale marks on the dishes, set a mid-range number (4-5).

## FILLING THE DETERGENT DISPENSER

To open the detergent dispenser use the opening device **C**. Introduce the detergent into the dry dispenser **D** only. Place the amount of detergent for pre-washing directly inside the tub.



1. When measuring out the detergent refer to the mentioned earlier information to add the proper quantity. Inside the dispenser **D**, there are indications to help the detergent dosing.
2. Remove detergent residues from the edges of the dispenser and close the cover until it clicks.
3. Close the lid of the detergent dispenser by pulling it up until the closing device is secured in place.

The detergent dispenser automatically opens up at the right time according to the program.

**Usage of detergent not designed for dishwashers may cause malfunction or damage to the appliance.**

## DAILY USE

### 1. CHECK WATER CONNECTION

Check that the dishwasher is connected to the water supply and that the tap is open.

### 2. SWITCH ON THE DISHWASHER

Open the door and press the **ON/OFF** button.

### 3. LOAD THE RACKS (see *LOADING THE RACKS*).

### 4. FILL THE DETERGENT DISPENSER

### 5. CHOOSE THE PROGRAM AND CUSTOMISE THE CYCLE

Select the most appropriate program in accordance with the type of crockery and its soiling level (see *PROGRAMS DESCRIPTION*) by pressing the selected **PROGRAM** button.

Select the desired options (see *OPTIONS AND FUNCTIONS*).

Not all options are compatible with all programs.

### 6. START

Start the wash cycle by pressing **START/Pause** button (led is lit) and closing the door within 4 sec. When the program starts you hear a single beep. If the door was not closed within 4sec., the alarm sound will be played. In this case, open the door, press **START/Pause** button and close the door again within 4 sec.

### 7. END OF WASH CYCLE

The end of the wash cycle is indicated by sound and the display shows **END**. Open the door and switch off the appliance by pressing the **ON/OFF** button.

Wait for a few minutes before removing the crockery - to avoid burns.

Unload the racks, beginning with the lower one.

## MODIFYING A RUNNING PROGRAM

If a wrong program was selected, it is possible to change it, provided that it has only just begun. **RESET** the machine: press and hold the **ON/OFF** button for more than 3. sec., and the machine will switch off. **The dashboard will show "0:01"**. Close the door and wait until drain cycle ends (around 1 minute). Open the door and switch the machine back on using the **ON/OFF** button and select the new wash cycle and any desired options. Start the cycle by pressing the **START/Pause** button and closing the door within 4 sec.

## ADDING EXTRA CROCKERY

Without switching off the machine, open the door first slightly to avoid water splashing out (**START/Pause** led starts blinking) (**Caution! Hot steam!**) and place the crockery inside the dishwasher. Press the **START/Pause** button and close the door within 4 sec., the cycle will resume from the point at which it was interrupted.

## ACCIDENTAL INTERRUPTIONS

If the door is opened during the wash cycle, or if there is a power cut, the cycle stops. **ONLY IF YOU PRESS** the **START/Pause** button and close the door within 4 sec., the cycle will resume from the point at which it was interrupted.

## ADVICE AND TIPS

### TIPS

Before loading the baskets, remove all food residues from the crockery and empty the glasses. **You do not need to rinse beforehand under running water.**

Arrange the crockery so that it is held in place firmly and does not tip over; and arrange the containers with the openings facing downwards and the concave/convex parts placed obliquely, thus allowing the water to reach every surface and flow freely.

**Warning:** lids, handles, trays and frying pans should not prevent the sprayer arms from rotating.

Place any small items in the cutlery basket.

Very soiled dishes and pans should be placed in the lower basket because in this sector the water sprays are stronger and allow a higher washing performance.

After loading the appliance, make sure that the sprayer arms can rotate freely.

### UNSUITABLE CROCKERY

- Wooden crockery and cutlery.
- Delicately decorated glasses, artistic handicrafts and antique crockery. Their decorations are not resistant.
- Parts in synthetic material which do not withstand high temperatures.
- Copper and tin crockery.
- Crockery soiled with ash, wax, lubricating grease or ink.

The colours of glass decorations and aluminium/silver pieces can change and fade during the washing process. Some types of glass (e.g. crystal objects) can become opaque after a number of wash cycles too.

### DAMAGE TO GLASS AND CROCKERY

- Only use glasses and porcelain guaranteed by the manufacturer as dishwasher safe.
- Use a delicate detergent suitable for crockery
- Collect glasses and cutlery from the dishwasher as soon as the wash cycle is over.

### TIPS ON ENERGY SAVING

- When the household dishwasher is used according to the manufacturer's instructions, **washing tableware in a dishwasher usually consumes less energy and water than hand dishwashing.**
- In order to maximize dishwasher efficiency, it is recommended to **initiate the wash cycle once the dishwasher is fully loaded.** Loading the household dishwasher up to the capacity indicated by the manufacturer will contribute to energy and water savings. Information on the correct loading of tableware can be found in the Loading chapter. In case of partial loading, it is recommended to use a dedicated wash options if available (Half load/ Zone Wash/ Multizone), filling up only selected racks. Incorrect loading or overloading of the dishwasher may increase resources usage (such as water, energy and time, as well as increase noise level), reducing cleaning and drying performance.
- Manual pre-rinsing of tableware items leads to increased water and energy consumption and is not recommended.

### HYGIENE

To avoid odour and sediment which can be accumulated in the dishwasher **please run a high-temperature program at least once a month.** Use a teaspoon of detergent and run it without loading to clean your appliance.

### RESISTANCE TO FROST

If the appliance is placed in surroundings exposed to the risk of frost, it **must be drained completely.** Turn off the water tap, remove the inlet and outlet hoses, and let all the water drain away. **Make sure that the water softener is full of dissolved regeneration salt in the salt container,** to protect the appliance from temperatures of up to -20°C.

If the appliance was stored in frost conditions the appliance must remain at an ambient temperature of min. 5°C for **at least 24 hours** before the first run.

## PROGRAMS TABLE

Program	Programs description	Drying phase	Natural-Dry	Available options *)	Duration of wash program (h: min)**)	Water consumption (litres/cycle)	Energy consumption (kWh/cycle)
<b>Eco</b> 50°	Program is suitable to clean normally soiled tableware, that for this use, it is the most efficient program in terms of its combined energy and water consumption, and that it is used to assess compliance with the EU Ecodesign legislation.	✓	✓		3:30	9.5	0.76
<b>Rapid</b> 45°	Program is recommended for limited amount of lightly-soiled dishes with no dried food residues. Does not include the drying phase.	-	✓		0:30 - 0:40	10.0 - 12.0	0.55 - 0.65
<b>Crystals</b> 45°	Program for delicate items, which are more sensitive to high temperatures, for example glasses and cups.	✓	✓		1:40 - 1:50	12.5 - 16.5	0.95 - 1.20
<b>Auto Intensive</b> 65°	Automatic program for heavily soiled dishes and pans.	✓	✓		2:25 - 3:10	15.5 - 24.5	1.30 - 1.70
<b>Auto Mixed</b> 55°	Automatic program for normally soiled dishes with dried food residues.						
<b>Auto Fast</b> 50°	Automatic program for normally and lightly soiled dishes. The everyday cycle that ensures optimal cleaning and drying performance in shorter time.						
<b>Prewash</b>	Use to refresh crockery planned to be washed later. No detergent is to be used with this program.	-	✓		0:12	4.5	0.10
<b>Self-Clean</b> 65°	Program to be used to perform maintenance of the dishwasher, to be carried out only when the dishwasher is EMPTY using specific detergents designed for dishwasher maintenance.	-	-		1:15	11.0	1.10

ECO program data is measured under laboratory conditions according to European Standard EN 60436:2020.

Note for Test Laboratories: For information on comparative EN testing conditions, please send an email to the following address: [dw\\_test\\_support@whirlpool.com](mailto:dw_test_support@whirlpool.com)  
Pre-treatment of the dishes is not needed before any of the programs.

\*) Not all options can be used simultaneously.

\*\*) Values given for programs other than the program Eco are indicative only. The actual time may vary depending on many factors such as temperature and pressure of the incoming water, room temperature, amount of detergent, quantity and type of load, load balancing, additional selected options and sensor calibration. The sensor calibration can increase program duration by up to 20 min.

## OPTIONS AND FUNCTIONS

**OPTIONS can be selected/ deselected, after choosing the program, directly by pressing the corresponding button (if available - the indicator lights up) (see CONTROL PANEL). If an option is not compatible with the selected program (see PROGRAMS TABLE), the corresponding LED flashes rapidly 3 times and beeps will sound. The option will not be enabled. An option can change time or water or energy consumption for the program.**

**HALF LOAD** - If there are not many dishes to be washed, HALF LOAD is used to save water, electricity or time, depending on the selected program.

**Remember to reduce the amount of detergent.**

**SILENT** - Suitable for night-time operation of the appliance. This option can be used to limit noise emissions during wash phases. It will increase cycle time depending on base cycle selection.

**SANI RINSE** - This option can be used to sanitize washed dishes. It will increase the final rinse temperature and add an antibacterial wash to the selected program. Ideal to clean crockery and feeding bottles. The dishwasher door must be kept shut for the entire duration of the program in order to guarantee a reduction of germs.

**WARNING: the crockery and plates could be extremely hot at the end of the cycle.**

**POWER CLEAN®** - Thanks to the additional power jets this option provides a more intensive and powerful wash in the lower rack, in the specific area. This option is recommended for washing pots and casseroles (please refer to the Power Clean® in loading section).

**EXTRA DRY** - The higher temperature during the final rinse and the extended drying phase allows for improved drying. The EXTRA DRY option results in the lengthening of the wash cycle.

**DELAY** - The start of the program may be delayed for a period of time between **0:30** and **24** hours.

1. Select the program and any desired options. Press the DELAY button (repeatedly) to delay the start of the program. Adjustable from 0:30 to 24 hours. Once the 24 hours setting is reached, press the DELAY another time to deactivate the DELAY function.

2. Press the START/Pause button and close the door within 4 sec. The timer will begin counting down.

3. Once this time has elapsed, the indicator light switches off and the program begins automatically.

**The DELAY function cannot be set once a program has been started.**

**TIME ON THE FLOOR** - A LED light projected on the floor indicates the time left to the end of the cycle. The light goes off every time the door is opened. The light goes off at the end of a cycle. This feature is active by default, but it is possible to deactivate it in the "SETTINGS MENU".

**DESCALE - Alarm** - Limescale accumulation was detected on internal components of the appliance. Check if the **Water Hardness Setting** is at the correct value and **salt** is present in the salt container (see **FIRST TIME USE**), then **use a descaling product** (WPro brand is recommended) with **Self-Clean program**. After a successful descaling the icon will stop being displayed.

If the actions above are not performed, product performance will deteriorate. DESCAL warning will start blinking and «**dES**» alarm will appear on the display. If still no action is taken, the appliance will only allow a certain number of cycles to be started (indicated during «**dES**» alarm display) and then will be **BLOCKED** to prevent component damage, **with only the Self-Clean program available**. Performing a full descaling will unblock the product. In the case of extremely high amounts of limescale, descaling may have to be performed twice to be efficient.

**NaturalDry** - It is a convection drying system which automatically opens the door during/after the drying phase to ensure exceptional drying performance every day. The door opens at a temperature that is safe to your kitchen furniture, thus door will not be opened when the option of SANI RINSE is on.

As additional steam protection, specially designed protection foil is added together with the dishwasher.

To see how to mount protection foil please refer to the INSTALLATION GUIDE. This feature is active by default, but it is possible to deactivate it in the "SETTINGS MENU".

**SENSING** - When the sensor is detecting the soil level an animation appears in the display (around 20 min.) and the cycle duration is updated. SENSING is for the level of soiling on the dishes and is present for all cycles (excepting Eco) adjusting the program accordingly.

**WATER TAP CLOSED - Alarm** - Flashes when there is no inlet water or water tap is closed.

## LOADING THE RACKS

CAPACITY: 15 standard place-settings

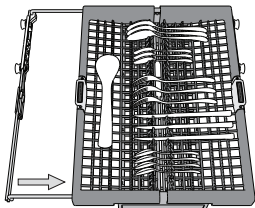
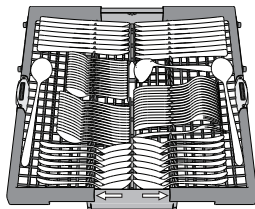
### CUTLERY RACK

The third rack was designed to house the cutlery.

Arrange the cutlery as shown in the figure. A separate arrangement of the cutlery makes collection easier after washing and improves washing and drying performance.

**Knives and other utensils with sharp edges must be positioned with the blades facing downwards.**

The cutlery rack is equipped with two sliding side trays to make the most of the height of the space below and enable the loading of high items into the upper rack.

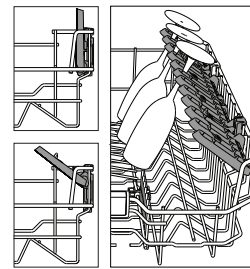


### Foldable flaps with adjustable position

The side foldable flaps can be folded or unfolded to optimize the arrangement of crockery inside the rack. Wine glasses can be placed safely in the foldable flaps by inserting the stem of each glass into the corresponding slots.

Depending on the model:

- to unfold the flap there is needed to slide it up and rotate or release it from the snaps and pull it down.
- to fold the flap there is needed to rotate it and slide flap down or pull it up and attach flap to the snaps.

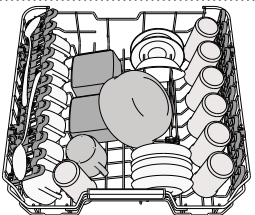


### UPPER RACK

Load delicate and light dishes: glasses, cups, saucers, low salad bowls.

The upper rack has tip-up supports which can be used in a vertical position when arranging tea/ dessert saucers or in a lower position to load bowls and food containers.

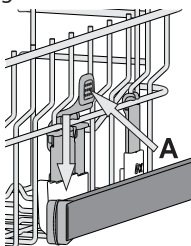
*(loading example for the upper rack)*



### Adjusting the height of the upper rack

The height of the upper rack can be adjusted: a high position to place bulky crockery in the lower basket and low position to make the most of the tip-up supports by creating more space upwards and avoiding collision with the items loaded into the lower rack.

The upper rack is equipped with an **Upper Rack height adjuster** (see figure), without pressing the levers, lift it up by simply holding the rack sides, as soon as the rack is stable in its upper position. To restore to the lower position, press the levers **A** at the sides of the rack and move the basket downwards.



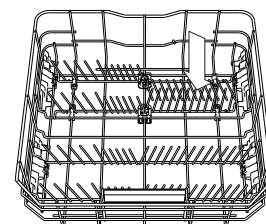
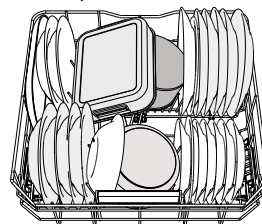
**We strongly recommend that you do not adjust the height of the rack when it is loaded.**

**NEVER raise or lower the basket on one side only.**

### LOWER RACK

For pots, lids, plates, salad bowls, cutlery etc. Large plates and lids should ideally be placed at the sides to avoid interferences with the spray arm.

The lower rack has tip-up supports which can be used in a vertical position when arranging plates or in a horizontal position (lower) to load pans and salad bowls easily.



*(loading example for the lower rack)*

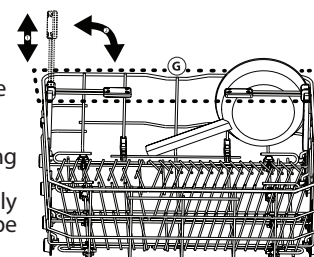
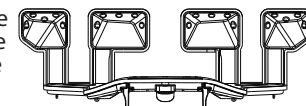
### POWER CLEAN®

Power Clean® uses the special water jets in the rear of the cavity to wash more intensively the highly dirty items. The lower rack has a Space Zone, a special pull-out support in the rear of the rack that can be used to support frying pans or baking pans in an upright position, thus taking up less space.

Placing the pots/casseroles faced to the Power Clean® component please activate the **POWER CLEAN®** on the panel.

How to use the Power Clean®:

1. Adjust the Power Clean® area **G** folding down the rear plate holders to load pots.
2. Load pots and casseroles inclined vertically in the Power Clean® area. Pots have to be inclined towards the powerful water jets.



## CARE AND MAINTENANCE

### CLEANING THE FILTER ASSEMBLY

Regularly clean the filter assembly so that the filters do not clog and that the waste water flows away correctly.

Using the dishwasher with clogged filters or foreign objects inside the filtration system or spray arms may cause unit malfunction resulting in loss of performance, noisy work or higher resources usage.

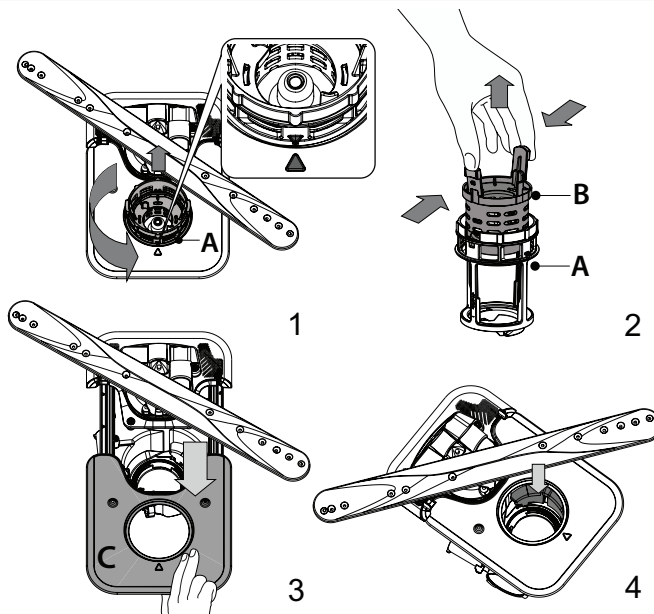
The filter assembly consists of three filters which remove food residues from the washing water and then recirculate the water.

**The dishwasher must not be used without filters or if the filter is loose.**

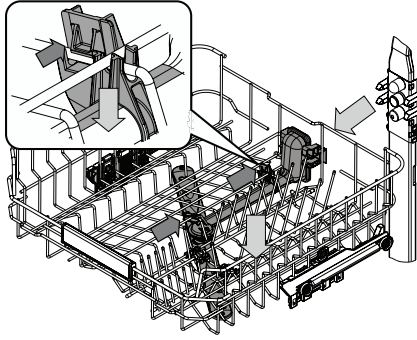
At least once per month or after every 30 cycles, check the filter assembly and if necessary clean it thoroughly under running water, using a non-metallic brush and following the instructions below:

1. Turn the cylindrical filter **A** in an anti-clockwise direction and pull it out (Fig 1). **It is important when reinstalling the filter that the two triangles shown on the zoom meet.**
2. Remove the cup filter **B** by exerting a slight pressure on the side flaps (Fig 2).
3. Slide out the stainless-steel plate filter **C** (Fig 3).
4. In case you find foreign objects (such as broken glass, porcelain, bones, fruit seeds etc.) **please remove them carefully.**
5. Inspect the trap and remove any food residues. **NEVER REMOVE** the wash-cycle pump protection (shown by an arrow) (Fig 4).

After cleaning the filters, replace the filter assembly and fix it in position correctly; this is essential for maintaining the efficient operation of the dishwasher.

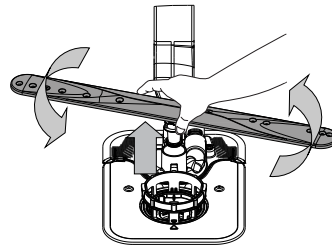


CLEANING THE SPRAY ARMS

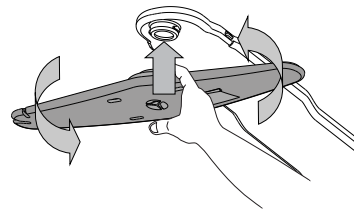


On occasions, food residue may become encrusted onto the spray arms and block the holes used to spray the water. It is therefore recommended that you check the arms from time to time and clean them with a small non-metallic brush.

To remove the upper spray arm you must remove it together with the manifold.



The lower spray arm may be removed by pulling it upwards and rotating it anti-clockwise. Mounting back the spray arm is by pulling it down and rotating it clockwise.



The top spray arm may be removed by pressing it up and then rotating it anti-clockwise. Mounting back the spray arm is by pulling it upwards and rotating it clockwise.

TROUBLESHOOTING

In case your dishwasher doesn't work properly, check if the problem can be solved by going through the following list. For other errors or issues please contact authorized After-sales Service whose contact details can be found in the warranty booklet. Spare parts will be available for a period of either up to 7 or up to 10 years, according to the specific Regulation requirements.

PROBLEMS	POSSIBLE CAUSES	SOLUTIONS
The salt indicator is lit	Salt reservoir is almost empty.	Refill the reservoir with salt (for more information - see <i>FILLING THE SALT RESERVOIR</i> ). Check the water hardness setting if necessary (see <i>WATER HARDNESS TABLE</i> ).
The salt indicator is blinking	Salt reservoir is empty.	Refill the reservoir with salt as soon as possible. Using the appliance without salt may cause damage to its internal components.
The rinse aid indicator is lit or blinking	Rinse aid dispenser is empty. (After refill the rinse aid indicator may remain lit for a short time).	Refill the dispenser with rinse aid (for more information - see <i>FILLING THE RINSE AID DISPENSER</i> ).
Descale indicator is lit or blinking; "dES" alarm is displayed.	Limescale is accumulating on internal components of the appliance.	Descale the appliance immediately using the Self Clean program and a commercially available descaling product (see <i>OPTIONS AND FUNCTIONS</i> ). Refill the reservoir with salt. Check the water hardness setting. If the appliance is not descaled, it will stop functioning.
The dishwasher won't start or does not respond to commands.	The appliance has not been plugged in properly.	Insert the plug into the socket.
	Power outage.	For safety reasons, the dishwasher will not restart automatically when power returns. Open dishwasher door, press START/Pause button and close the door within 4 seconds.
	The dishwasher door is not closed. NaturalDry pin is not pulled in.	Vigorously push the door until you hear the "click".
	A cycle is interrupted by door opening for more than 4 seconds.	Press START/Pause and close the door within 4 seconds.
The dishwasher won't drain. Display shows: <b>F7 E3</b> or <b>F9 E1</b>	The filter is clogged with food residues or limescale	Clean the filter and descale the appliance (see <i>CLEANING THE FILTER ASSEMBLY and DESCALE INSTRUCTION</i> ).
	The drain hose is kinked.	Check the drain hose (see <i>INSTALLATION INSTRUCTION</i> ).
	The sink drain pipe is blocked.	Clean the sink drain pipe.
The dishwasher makes excessive noise.	Dishes are rattling against each other.	Position the crockery correctly (see <i>LOADING THE RACKS</i> ).
	An excessive amount of foam is present.	The detergent has not been measured out correctly or it is not suitable for use in dishwashers (see <i>FILLING THE DETERGENT DISPENSER</i> ). Restart the current cycle by switching OFF the dishwasher, then switch it on again, select a new program, press START/Pause and close the door within 4 seconds. Please do not add any detergent.
	Crockery has not been arranged properly.	Arrange the crockery correctly (see <i>LOADING THE RACKS</i> ).
	The filter is clogged with food residues or limescale.	Clean the filter assembly (see <i>CARE AND MAINTENANCE</i> ).
The dishes are not clean.	Crockery has not been arranged properly.	Arrange the crockery correctly (see <i>LOADING THE RACKS</i> ).
	Spray arms cannot rotate freely, being hindered by the dishes.	Arrange the crockery correctly (see <i>LOADING THE RACKS</i> ). Check that the upper rack is in the correct position and adjust (lift up) if necessary.
	The wash cycle is too gentle.	Select an appropriate wash cycle (see <i>PROGRAMS TABLE</i> ).
	An excessive amount of foam is present.	The detergent has not been measured out correctly or it is not suitable for use in dishwashers (see <i>FILLING THE DETERGENT DISPENSER</i> ).
	The cap on the rinse aid compartment has not been closed correctly.	Make sure the cap of the rinse aid dispenser is closed.
	The filter is clogged with food residues or limescale.	Clean the filter and descale the appliance (see <i>CLEANING THE FILTER ASSEMBLY</i> ).
The salt reservoir is empty.	Fill the salt reservoir (see <i>FILLING THE SALT RESERVOIR</i> ).	

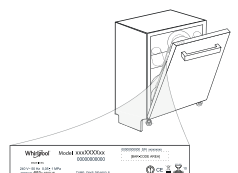
PROBLEMS	POSSIBLE CAUSES	SOLUTIONS
The dishwasher does not fill the water. The display shows: <b>H2O</b> and $\emptyset$ is lit; acoustic alarm sounds.	No water in the water supply or the tap is closed.	Make sure there is water in the water supply and the water tap is open.
	The water inlet hose is kinked.	Check the inlet hose (see <i>INSTALLATION</i> ). Open dishwasher door, press START/Pause button and close the door within 4 seconds.
The dishwasher finishes the cycle prematurely. The display shows: <b>F8 E3</b>	The screen in the water inlet hose is clogged; it is necessary to clean it.	Check and clean the screen in the water inlet hose. Open dishwasher door, press START/Pause button and close the door within 4 seconds.
	The filter is clogged with food residues or lime-scale.	Clean the filter and descale the appliance (see <i>CLEANING THE FILTER ASSEMBLY and DESCALING INSTRUCTION</i> ).
	Drain hose positioned too low or siphoning into the home sewage system.	Check if the end of the drain hose is placed at the correct height (see <i>INSTALLATION</i> ). Check for siphoning into the home sewage system, and install a siphon breaker/air admittance valve if necessary.
	An excessive amount of foam is present.	The detergent has not been measured out correctly or it is not suitable for use in dishwashers (see <i>FILLING THE DETERGENT DISPENSER</i> ).
The dishes are not dried well.	Air in the water supply.	Check water supply for leaks or other issues letting air inside.
	Rinse aid is not present or the dosage is too low.	Make sure the rinse aid dispenser is filled (see <i>FILLING THE RINSE AID DISPENSER</i> ). Multifunctional tablets only will not provide as good drying effects as the actual use of liquid rinse aid.
	The dishes have been unloaded after the door was opened automatically but before the actual cycle end.	Make sure the cycle has ended before starting to unload the dishes (see <i>DAILY USE</i> ). For even better drying results, it is recommended to let the dishes sit inside the dishwasher with the door open for additional 15 minutes after the cycle ends.
	The dishes are sitting too flat.	If you notice puddles of water inside cavities of cups, mugs or bowls, try loading the dishes (especially in the upper rack) providing more inclination to let larger amounts of water drip down before drying starts.
	The selected cycle does not have the drying phase.	Please check in the <i>PROGRAMS TABLE</i> if the selected program is equipped in the drying phase. A cycle without the drying phase may not deliver desired drying efficiency, so it is recommended to change cycle selection for the one that has the drying phase.
Dishes and glasses have blue streaks or bluish tinges.	The dishes are made of non-stick or plastic.	Some water drops remaining on this type of material are normal.
Dishes and glasses are covered with lime-scale or a whitish film.	Rinse aid dosage is excessive.	Adjust the dosage to a lower setting.
	The salt reservoir is empty.	Refill the reservoir with salt as soon as possible. Using the appliance without salt may cause damage to its internal components.
	The water hardness setting is too low.	Increase the setting (see <i>WATER HARDNESS TABLE</i> ).
	The cap of the salt reservoir is not properly closed.	Check and close the salt reservoir cap.
The dishwasher shows <b>F8 E5</b>	The rinse aid reservoir is empty or the rinse aid dosage is insufficient.	Refill the dispenser with rinse aid and check the dosage setting (for more information - see <i>FILLING THE RINSE AID DISPENSER</i> ).
	Valve is blocked or faulty.	Close the water tap, if possible. Do not switch off the power supply. Call the service.



**Policies, standard documentation, ordering of spare parts and additional product information can be found by:**

- Using QR code and visiting our website: [docs.whirlpool.eu](https://docs.whirlpool.eu)
- Visiting our website: [parts-selfservice.whirlpool.com](https://parts-selfservice.whirlpool.com)
- Alternatively, **contact our After-sales Service** (See phone number in the warranty booklet). When contacting our After-sales Service, please state the codes provided on your product's identification plate.

The model information can be retrieved using the QR-Code reported in the energy label. The label also includes the model identifier that can be used to consult the portal of the registry at <https://eprel.ec.europa.eu>





DĚKUJEME VÁM, ŽE JSTE SI ZAKOUPILI VÝROBEK ZNAČKY WHIRLPOOL  
Pro získání komplexnější asistence zaregistrujte prosím svůj spotřebič na: [www.whirlpool.eu/register](http://www.whirlpool.eu/register)

Před použitím spotřebiče si pečlivě přečtěte tento návod k použití a instalaci. Více informací o produktu naleznete na webových stránkách: [docs.whirlpool.eu](http://docs.whirlpool.eu).



Po instalaci nezapomeňte z myčky odstranit všechny přepravní ochranné díly.

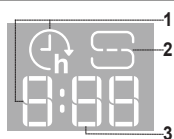
## OVLÁDACÍ PANEĽ



1. Tlačítko ZAPNOUT/VYPNOUT/Resetování s kontrolkou
2. Tlačítko volby programu Eco s kontrolkou
3. Tlačítko volby programu Auto Rychlý s kontrolkou/ program Předmytí - stisknout 3 sekundy
4. Tlačítko volby programu Křišťál s kontrolkou/ program Autočištění - stisknout 3 sekundy
5. Tlačítka Automatických programů se světelnými kontrolkami - Auto Intenzivní 65° / Auto Smíšený 55° / Auto Rychlý 50°
6. Kontrolka prázdného zásobníku soli
7. Kontrolka prázdného zásobníku leštidla

8. Displej
9. Ukazatel čísla programu a zbývajících času
10. Kontrolka Uzavřený Vodovodní Kohoutek
11. Kontrolka ODVÁPŇENÍ
12. Tlačítka Extra možnosti se světelnými kontrolkami - Poloviční náplň / Tichý / Hygienický oplach
13. Tlačítko volby funkce Power Clean® s kontrolkou
14. Tlačítko volby Sušení Extra s kontrolkou/ Nastavení - stisknout 3 sekundy
15. Tlačítko volby Odložený Start s kontrolkou
16. Tlačítko SPUSTIT/Pozastavit s kontrolkou

## DISPLEJ NA SPODNÍ STRANĚ (PODLAZE)



1. Zobrazení zpoždění začátku na podlaze - ukazatel času zbývajících do začátku cyklu, když je nastavena možnost zpoždění
2. Zásobník soli je prázdný - kontrolka na podlaze
3. Zobrazení zbývajících času na podlaze - ukazatel času zbývajících do konce cyklu

## PRVNÍ POUŽITÍ

### NABÍDKA NASTAVENÍ

1. Zapněte spotřebič stiskem tlačítka ZAPNOUT/VYPNOUT.
2. Podržte tlačítko Nastavení (Sušení Extra) po dobu 3 sekund, dokud neuslyšíte pípnutí a na displeji se zobrazí „SET“.
3. Po jedné sekundě se zobrazí první dostupné nastavení (písmeno „h“).
4. Stisknutím Automatických programů / Extra možnosti procházejte seznam dostupných nastavení (viz tabulku níže), poté stisknete SPUSTIT/Pozastavit pro zobrazení a změnu hodnoty aktuálně zvoleného nastavení.
5. Stisknete Automatických programů / Extra možnosti pro změnu hodnoty, poté stisknete SPUSTIT/Pozastavit pro uložení nové hodnoty.
6. Chcete-li změnit další nastavení, opakujte body 2 a 5.
7. Stisknete ZAPNOUT/VYPNOUT nebo počkejte 30 sekund pro opuštění nabídky.

PÍSMENO	NASTAVENÍ	HODNOTY (Výchozí - tučně)
h	Úroveň tvrdosti vody (viz „NASTAVENÍ TVRDOSTI VODY“ a „TABULKA TVRDOSTI VODY“)	1   2   3   4   5
h	Množství leštidla (viz „NASTAVENÍ DÁVKOVÁNÍ LEŠTIDLA“)	0   1   2   3   4   5
h	NaturalDry (viz „MOŽNOSTI A FUNKCE“) „1“ = zapnuto, „0“ = vypnuto	1   0
h	Časový údaj promítaný na podlahu (viz „MOŽNOSTI A FUNKCE“) „1“ = zapnuto, „0“ = vypnuto	1   0
h	Zvuk „1“ = zapnuto, „0“ = vypnuto	1   0
h	Tovární nastavení Stisknutím SPUSTIT/Pozastavit obnovíte výchozí tovární nastavení všech hodnot nastavení obsažených v nabídce nastavení.	-

### NAPLNĚNÍ ZÁSOBNÍKU SOLI

Použití soli vede k předcházení usazování VODNÍHO KAMENE na nádobí a funkčních součástech myčky. Zásobník soli se nachází ve spodní části myčky (pod spodním košem na levé straně).

- Zásobník na sůl nesmí nikdy zůstat prázdný.
- Nastavení tvrdosti vody je důležité.
- Pokud se rozsvítí kontrolka DOPLNĚNÍ SOLI na ovládacím panelu, je nutné doplnit sůl.



1. Vytáhněte spodní koš a odšroubujte víčko zásobníku (proti směru hodinových ručiček).
2. Umístěte trychtýř (viz obrázek) a naplňte zásobník soli až po okraj (přibližně 0,5 kg); odtékání určitého množství vody je přitom normální.
3. Následující kroky provádějte pouze při prvním použití: Naplňte zásobník soli vodou.

4. Vyjměte trychtýř a otřete z otvoru přebytečnou sůl. Ujistěte se, že je víčko pevně dotaženo, aby se do zásobníku nedostal při mytí žádný mycí prostředek (to by mohlo vést k neopravitelnému poškození změkčovače vody).

Pokaždé, jakmile dokončíte doplňování zásobníku soli, spusťte program, abyste zabránili korozi.

### Nastavení tvrdosti vody

Aby mohl změkčovač vody řádně fungovat, je nezbytné nastavit tvrdost vody podle skutečných hodnot platných pro vodu ve vašem domě. Informaci o tvrdosti vody v řadě získáte od místního dodavatele vody. Tovární nastavení pro průměrnou tvrdost je „3“. Viz TABULKA TVRDOSTI VODY. Pro provádění změn viz pokyny v části „NABÍDKA NASTAVENÍ“.

Stupeň	Tabulka tvrdosti vody		
	°dH Německé stupně	°fH Francouzské stupně	°Clark Anglické stupně
1 (měkká)	0 - 6	0 - 10	0 - 7
2 (střední)	7 - 11	11 - 20	8 - 14
3 (středně tvrdá)	12 - 16	21 - 29	15 - 20
4 (tvrdá)	17 - 34	30 - 60	21 - 42
5 (velmi tvrdá)	35 - 50	61 - 90	43 - 62

### Používejte výhradně sůl určenou pro myčky nádobí.

Poté, co do myčky nasypete sůl, zhasne kontrolka DOPLNĚNÍ SOLI. Pokud není zásobník na sůl doplněn, může to vést k poškození změkčovače vody a topného tělesa v důsledku nahromadění vodního kamene. Sůl doporučujeme používat s každým typem prostředku na mytí nádobí.

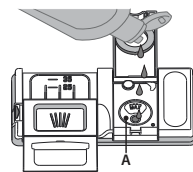
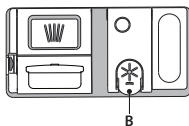
### SYSTEM PRO ZMĚKČOVÁNÍ VODY

Změkčovač vody automaticky snižuje tvrdost vody, a zabraňuje tak nahromadění vodního kamene na ohříváči a přispívá k vyšší účinnosti mytí. Tento systém k regeneraci využívá sůl, proto je nutné doplňovat zásobník na sůl, když se vyprázdní. Četnost regenerace závisí na nastavení úrovně tvrdosti vody - s úrovní tvrdosti nastavené na 3 probíhá regenerace jednou za 4-6 cyklů. Proces regenerace probíhá na začátku cyklu pomocí většího množství čisté vody.

- Spotřeba během jedné regenerace: ~ 3 l vody;
- Prodloužení cyklu až o 5 minut;
- Spotřeba méně než 0,005 kWh energie.

### DOPLNĚNÍ DÁVKOVAČE LEŠTIDLA

Díky leštidlu nádobí lépe schne. Zásobník leštidla A by měl být doplněn pokaždé, když se na ovládacím panelu rozsvítí kontrolka NĚDOSTATEK LEŠTIDLA.



1. Stlačením a zatažením páčky na víku zásobník B otevřete.
2. Opatrně nalijte leštidlo až po maximální hodnotu (110ml) vyznačenou ryskou v hrdle zásobníku - zabraňte jeho přelití. Pokud dojde k rozlití, setřete tekutinu okamžitě suchým hadrem.

3. Stisknete víčko, dokud se s cvaknutím nezavře. NIKDY nelijte leštidlo přímo do myčky.

## Nastavení dávkování leštidla

Nejste-li plně spokojeni s výsledky sušení, můžete nastavit množství použitého leštidla. Pro provádění změn viz pokyny v části „NABÍDKA NASTAVENÍ“. Je-li úroveň dávkování leštidla nastavena na „NULA“, nebude dávkováno žádné leštidlo. Dojde-li leštidlo, kontrolka „NEDOSTATEK LEŠTIDLA“ se nerozsvítí. V závislosti na konkrétním modelu myčky lze nastavit maximálně 6 úrovně.

- Pokud jsou na nádobí patrné modravé odlesky, nastavte nízké hodnoty (0-3).
- Jsou-li na nádobí stopy vodního kamene, nastavte vyšší číslo (4-5).

## DENNÍ POUŽÍVÁNÍ

### 1. ZKONTROLUJTE PŘIPOJENÍ K VODOVODNÍ SÍŤ

Zkontrolujte, zda je myčka připojena k vodovodní síti a zda je vodovodní kohoutek otevřený.

### 2. ZAPNĚTE MYČKU

Otevřete dvířka a stiskněte tlačítko **ZAPNOUT/VYPNOUT**.

### 3. VLOŽTE NÁDOBÍ (viz PLNĚNÍ KOŠŮ).

### 4. PLNĚNÍ DÁVKOVAČE MYCÍHO PROSTŘEDKU

### 5. VYBERTE PROGRAM A PŘÍZPUSOBTE CYKLUS

Nejvhodnější program vyberete v závislosti na druhu nádobí a míře jeho zašpinění (viz **POPIS PROGRAMŮ**) stisknutím tlačítka vybraného **PROGRAMU**. Vybete požadované možnosti (viz „**MOŽNOSTI A FUNKCE**“). Ne všechny možnosti jsou kompatibilní se všemi programy.

### 6. SPUSTIT

Mycí cyklus spustíte stiskem tlačítka **SPUSTIT/Pozastavit** (LED kontrolka svítí) a následným uzavřením dvířek do 4 sekund. Jakmile program začne, uslyšíte jedno pípnutí. Pokud dvířka nejsou do 4 sekund uzavřena, rozeszní se výstražné upozornění. V takovém případě dvířka otevřete, stiskněte tlačítko **SPUSTIT/Pozastavit** a znovu je uzavřete při dodržení čtyřsekundového časového limitu.

### 7. KONEC MYCÍHO CYKLU

Konec mycího cyklu oznámí zvukové znamení a na displeji se zobrazí **END (KONEC)**. Otevřete dvířka a vypněte spotřebič stiskem tlačítka **ZAPNOUT/VYPNOUT**.

Před vyklizením nádobí chvíli počkejte, předejete tak popálení. Vyklidte nádobí z košů – začněte spodním.

## DOPORUČENÍ A TYPY

### RADY

Před plněním košů odstraňte z nádobí všechny zbytky jídel a vyprázdněte sklenice. **Nádobí není třeba oplachovat pod tekoucí vodou.**

Uspořádejte nádobí vmyčce tak, aby pevně leželo na místě a nepřepadávalo; nádoby vkládejte dnem vzhůru a vyduťnými vypuklými povrchy šikmo, aby voda měla přístup ke všem povrchům a zároveň mohla volně odtékat.

**Varování:** Víka, madla, podnosy a pánve nesmí bránit ostříkovacím ramenům myčky v pohybu.

Drobné předměty vkládejte do koše na příbory. Velmi znečištěné nádobí a hrnce umísťte do spodního koše, protože v této části myčky je proud vody silnější, a lze tak dosáhnout lepší výkonnosti.

Po naplnění myčky ověřte, že se ostříkovací ramena mohou volně otáčet.

### NEVHODNÉ NÁDOBÍ

- Dřevěné nádobí a příbory.
- Jemné zdobené sklenice, umělecké, ručně vyrobené a starožitné nádobí. Jejich zdobení není dostatečně odolné.
- Části z plastu neodolávající vysokým teplotám.
- Měděné a cínové nádobí.
- Nádobí zašpiněné popelem, voskem, mazacím tukem či inkoustem.

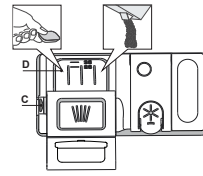
Barva ozdob na skle a hliníkových/stříbrných kusů nádobí může během mytí vyblednout. Některé druhy skla (např. křišťálové předměty) mohou po několika mycích cyklech zmatnět.

### POŠKOZENÍ SKLA A NÁDOBÍ

- Používejte výhradně sklenice a porcelán, u nichž výrobce zaručuje možnost mytí v myčce.
- Používejte jemný mycí přípravek vhodný na porcelánové nádobí
- Vyjměte sklo a příbory z myčky hned po skončení mycího cyklu.

## DOPLNĚNÍ DÁVKOVAČE MYCÍHO PROSTŘEDKU

**K otevření zásobníku mycího prostředku použijte otevírací prvek C. Dávkuje mycí prostředek výhradně do suchého zásobníku D. Prostředek pro předmytí dávkuje přímo do prostoru myčky.**



1. Při dávkování mycího prostředku se řiďte předchozími pokyny, abyste odměřili správné množství. Uvnitř zásobníku **D** se nacházejí značky, které pomohou při dávkování mycího prostředku.
2. Odstraňte zbytky mycího prostředku z okraje zásobníku a pak jej zavřete tak, aby bylo slyšet cvaknutí.
3. Tahem zavřete víčko zásobníku mycího prostředku, dokud zavírací prvek nezapadne na své místo.

Zásobník se automaticky otevře v pravou chvíli v závislosti na použitém programu.

**Použití čistícího prostředku, který není určený pro myčky nádobí, může způsobit nesprávný chod nebo poškození spotřebiče.**

## ÚPRAVA NASTAVENÍ BĚŽÍCÍHO PROGRAMU

Došlo-li k výběru nesprávného programu, je možné jej změnit za předpokladu, že od jeho spuštění uplynula pouze krátká chvíle. **RESET** spotřebiče: Stiskněte tlačítko **ZAPNOUT/VYPNOUT** a podržte ho po dobu delší než 3 sekundy, načež se spotřebič vypne. **Na ovládacím panelu bude svítit „0:01“**. Zavřete dvířka a vyčkejte, dokud neskončí cyklus vypouštění (přibližně 1 minuta). Otevřete dvířka a stisknutím tlačítka **ZAPNOUT/VYPNOUT** spotřebič opět zapnete a zvolte nový mycí program spolu s požadovanými možnostmi. Mycí cyklus spustíte stiskem tlačítka **SPUSTIT/Pozastavit** a uzavřením dvířek do 4 sekund.

## PŘIDÁNÍ DALŠÍHO NÁDOBÍ

Bez toho, abyste spotřebič vypínali, otevřete nejprve mírně dvířka, aby voda nevystříkla ven (LED kontrolka **SPUSTIT/Pozastavit** začne blikat) (**Pozor! Horká pára!**) a vložte nádobí do myčky. Stiskněte tlačítko **SPUSTIT/Pozastavit** a do 4 sekund uzavřete dvířka. Cyklus se opětovně spustí od místa, ve kterém byl přerušen.

## NÁHODNÁ PŘERUŠENÍ

Dojde-li v průběhu mycího cyklu k otevření dvířek nebo výpadku elektrického napájení, cyklus se zastaví. **POUZE POKUD STISKNETE** tlačítko **SPUSTIT/Pozastavit** a do 4 sekund zavřete dvířka, cyklus se opětovně spustí od místa, ve kterém byl přerušen.

## TIPY K ÚSPORĚ ENERGIE

- Pokud se myčka nádobí do domácnosti používá v souladu s pokyny výrobce, je **spotřeba ENERGIE a vody při mytí nádobí v myčce NIŽŠÍ než při mytí v ruce.**
- Pro maximální úspornost myčky nádobí doporučujeme **mycí cyklus spustit až ve chvíli, kdy je myčka zcela zaplněná**. Naplnění myčky nádobí až do plné kapacity uvedené výrobcem přispívá k úspoře energie a vody. Informace o správném vkládání nádobí najdete v kapitole PLNĚNÍ KOŠŮ. V případě pouze částečného zaplnění doporučujeme použití příslušného mycího programu, je-li k dispozici (Half load / Zone Wash / Multi Zone) a plnění pouze příslušných košů. Nesprávné nebo nadměrné naplnění myčky může vést ke zvýšení spotřeby (vody, energie a času) i zvýšení hluchosti) a k snížení účinnosti mytí a sušení.
- Ruční předmytí nádobí vede ke zvýšené spotřebě vody a energie a nedoporučujeme jej.

## HYGIENA

Aby se předešlo vzniku usazenin a zápachu v myčce, **spustte nejméně jednou měsíčně program s vysokou teplotou**. Použijte čajovou lžičku mycího prostředku a vsypte ji do prázdné myčky.

## ODOLNOST MRÁZU

Pokud je spotřebič umístěn v prostředí, kde je vystaven nebezpečí mrazu, **musí z něj být zcela vypuštěny všechny kapaliny**. Zavřete vodovodní kohoutek, sejměte přívodní a odtokové hadice a nechte veškerou vodu odtéct. Aby byl spotřebič chráněn před teplotami až do  $-20\text{ }^{\circ}\text{C}$ , **ujistěte se, že změkčovač vody v zásobníku soli je plný rozpuštěné regenerační soli**. Pokud byl spotřebič skladován v mrazu, **musí po dobu nejméně 24 hodin před prvním spuštěním zůstat při okolní teplotě min.  $5\text{ }^{\circ}\text{C}$** .



## TABULKA PROGRAMŮ

Program	Popis programů	Fáze sušení	Natural-Dry	Dostupné funkce *)	Délka mycího programu (h:min)**)	Spotřeba vody (litry/cyklus)	Spotřeba energie (kWh/cyklus)
<b>Eco</b>	<b>Úsporný program 50°</b> - e vhodný k mytí běžně zašpiněného nádobí, který je pro tento účel nejvýhodnějším programem s ohledem na spotřebu energie a vody a který se využívá k vyhodnocení shody spotřebiče s předpisy Ecodesign EU.	✓	✓		3:30	9,5	0,76
	<b>Rychlý 45°</b> - program doporučujeme používat na menší množství lehké zašpiněného nádobí bez zaschlých zbytků jídel. Nezahrnuje fázi sušení.	-	✓		0:30 - 0:40	10,0 - 12,0	0,55 - 0,65
	<b>Křišťál 45°</b> - Program pro choulostivé nádobí, které je citlivější na vysoké teploty, jako jsou například sklenice a hrnky.	✓	✓		1:40 - 1:50	12,5 - 16,5	0,95 - 1,20
	<b>Auto Intenzivní 65°</b> - Automatický program pro silně zašpiněné nádobí.	✓	✓		2:25 - 3:10	15,5 - 24,5	1,30 - 1,70
	<b>Auto Smíšený 55°</b> - Automatický program pro běžně zašpiněné nádobí se zaschlými zbytky jídel.	✓	✓		1:20 - 3:00	7,5 - 19,5	0,75 - 1,20
	<b>Auto Rychlý 50°</b> - Automatický program pro běžně a lehce zašpiněné nádobí. Běžný každodenní program zajišťující optimální účinnost mytí a sušení za kratší dobu.	✓	✓		1:00 - 1:50	7,5 - 15,5	0,70 - 1,10
	<b>Předmytí</b> - Používejte pro opláchnutí nádobí, které plánujete mýt později. V tomto programu se nepoužívá žádný mycí prostředek.	-	✓		0:12	4,5	0,10
	<b>Autočištění 65°</b> - Program slouží k údržbě myčky nádobí. Spouštějte pouze v případě, že je myčka PRÁZDNÁ a s použitím speciálního čistícího prostředku určeného k údržbě myčky.	-	-		1:15	11,0	1,10

Údaje pro „ÚSPORNÝ PROGRAM“ jsou měřeny v laboratorních podmínkách podle pokynů evropské normy EN 60436:2020.

Poznámka pro zkušební laboratoře: Pro informace o zkušebních podmínkách srovnávací zkoušky EN napište na adresu: dw\_test\_support@whirlpool.com

Žádný z programů nevyžaduje jakékoli předchozí ošetření nádobí.

\*) Ne všechny možnosti lze používat zároveň.

\*\*) Hodnoty uvedené pro ostatní programy kromě „ÚSPORNÝ PROGRAM“ jsou pouze přibližné. Skutečná doba se může lišit v závislosti na mnoha vlivech, jako je např. teplota, tlak vstupní vody, teplota okolí, množství mycího prostředku, množství a typ nádobí, vyvážení nádobí, zvolené doplňkové možnosti a kalibrace snímačů. Kalibrace snímačů může program prodloužit až o 20min.

## MOŽNOSTI A FUNKCE

**MOŽNOSTI lze vybírat / a volby rušit po zvolení programu, a to přímým stiskem odpovídajícího tlačítka (je-li možnost dostupná, rozsvítí se indikace) (viz OVLÁDACÍ PANEL). Není-li možnost kompatibilní se zvoleným programem (viz TABULKA PROGRAMŮ), příslušná kontrolka třikrát rychle zabliká a ozve se zvukové znamení. Možnost nebude zvolena. Použití volby může u daného programu vyvolat změnu doby jeho trvání nebo spotřeby vody či energie.**

**POLOVIČNÍ NÁPLŇ** – Pokud je k mytí pouze malé množství nádobí, lze využít funkci POLOVIČNÍ NÁPLŇ šetřící elektrickou energii, vodu nebo čas, v závislosti na zvoleném programu. Nezapomeňte snížit množství mycího prostředku.

**TICHÝ** - Ideální program pro noční provoz spotřebiče. Tuto možnost lze použít k omezení hluchnosti během fázi mytí. Prodlouží dobu trvání cyklu v závislosti na výběru základního cyklu.

**HYGIENICKÝ OPLACH** - Tuto volbu lze použít pro hygienické vyčištění již umytého nádobí. Zvyší teplotu vody posledního oplachu a k zvolenému programu přidá funkci antibakteriálního mytí. Ideální k mytí čistého nádobí a dětských lahviček. Dvířka myčky musí být po celou délku programu zavřena, aby mohlo dojít ke zničení choroboplodných zárodků.  
**VAROVÁNÍ: Nádobí a stěny mohou být na konci programu velmi horké.**

**POWER CLEAN®** - Díky přídavným vodním tryskám umožňuje tato funkce intenzivnější a účinnější mytí nádobí ve vymezené části spodního koše. Tato funkce se doporučuje pro mytí rendlíků a hrnců (více informací naleznete v části týkající se plnění Power Clean®).

**SUŠENÍ EXTRA** - Zvýšená teplota v závěrečné fázi oplachování a prodloužení fáze sušení vedou k zlepšení sušení. Volba možnosti „SUŠENÍ EXTRA“ má za následek prodloužení mycího cyklu.

**ODLOŽENÝ START** - Spuštění programu lze odložit o dobu mezi **30 min až 24 hodinami**.

1. Zvolte program a případně další možnosti. Odložení spuštění programu nastavíte stiskem tlačítka ODLOŽENÝ START (opakovaně). Spuštění programu lze odložit o 30 minut až 24 hodin. Pokud je při nastavování dosaženo hodnoty „24 hodin“, stiskněte tlačítko ODLOŽENÝ START ještě jednou, abyse funkce ODLOŽENÝ START deaktivovala.

2. Stiskněte tlačítko „SPUSTIT/Pozastavit“ a do 4 sekund zavřete dvířka: časovač začne odpočítávat.

3. Po vypršení stanoveného času kontrolka zhasne a program se automaticky spustí.

**Po spuštění programu již funkci ODLOŽENÝ START zvolit nelze.**

**UZAVŘENÝ VODOVODNÍ KOHOUTEK – výstražná signalizace** - Kontrolka bliká v případě, že je uzavřen přívod vody nebo voda nepřítéká.

**ČASOVÝ ÚDAJ PROMÍTANÝ NA PODLAHU** - LED světlo nasměrované na podlahu ukazuje informaci o čase, který zbývá do ukončení cyklu. Světlo se rozsvítí s každým otevřením dveří. Světlo zhasne na konci cyklu. Tato funkce se aktivuje v rámci výchozího nastavení, nicméně lze ji deaktivovat v „NABÍDKA NASTAVENÍ“.

**ODVÁPŇNĚNÍ – Alarm** - Na vnitřních součástech spotřebiče bylo zjištěno nahromadění vodního kamene. Zkontrolujte, zda je v zásobníku soli přítomna **sůl** (další podrobnosti viz PRVNÍ POUŽITÍ), poté **použijte odvápňovací prostředek** (doporučuje se značka WPro) s **programem Autočištění**. Po úspěšném odvápňení se ikona přestane zobrazovat.

Pokud nebudou provedeny výše uvedené akce, výkon produktu se zhorší. Varování «Odvápňení» začne blikat a na displeji se zobrazí alarm «**DES**». Pokud stále neprovedete žádnou akci, spotřebič umožní spuštění pouze určitého počtu cyklů (indikováno během zobrazení alarmu «**DES**») a poté bude **ZABLOKOVÁN**, aby se zabránilo poškození součástí, **příčemž je k dispozici pouze program Autočištění**. Provedením úplného odstranění vodního kamene dojde k odblokování produktu. V případě extrémně vysokého množství vodního kamene může být nutné odvápňení provést dvakrát, aby bylo účinné.

**NaturalDry** – Konvenční způsob sušení, kdy se automaticky otevírají dvířka během sušení / po ukončení fáze sušení, aby každý den byla zajištěna mimořádná účinnost sušení. Dvířka se otevrou při teplotě, která je bezpečná pro váš kuchyňský nábytek. Neotevřou se tedy v případě, pokud jste zapnuli možnost HYGIENICKÝ OPLACH.

Jako doplňkovou ochranu proti horké páře dodáváme k myčce speciálně navrženou ochrannou fólii.

Pro informace jak postupovat při instalaci ochranné fólie nahlédněte prosím do INSTALAČNÍ PŘÍRUČKY. Tato funkce se aktivuje v rámci výchozího nastavení, nicméně lze ji deaktivovat v „NABÍDKA NASTAVENÍ“.

**SNÍMÁNÍ** - Ve chvíli, kdy senzor snímá úroveň zašpinění, na displeji se zobrazí odpovídající symbol (přibližně 20 min) a aktualizuje se délka cyklu. Účelem snímání je zjistit míru zašpinění nádobí. Funkce je součástí všech cyklů (kromě Úsporný program) a odpovídajícím způsobem upravuje parametry programu.

## PLNĚNÍ KOŠŮ

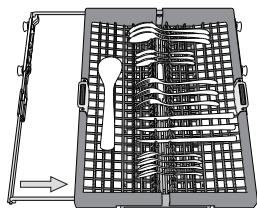
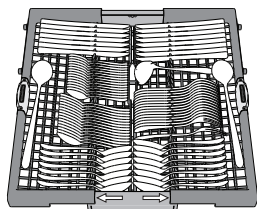
KAPACITA: 15 standardních jídelních souprav

### ZÁSUVKA NA PŘÍBORY

Třetí koš je určen na příbory. Příbory ukládejte tak, jak je znázorněno na obrázku. Oddělené umístění příborů usnadňuje jejich pozdější úklid a zlepšuje sušení.

**Nože a další ostré nástroje musí být umístěny ostrým dolů.**

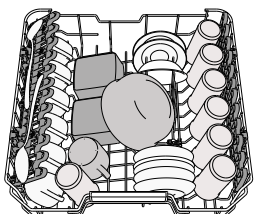
Koš na příbory je vybaven dvěma posuvnými postranními koši tak, aby bylo možno co nejlépe využít výšku prostoru a zároveň umožnit umístění vysokých předmětů do horního koše.



### HORNÍ KOŠ

Sem vkládejte jemné a lehké nádobí: sklenice, hrnky, tácky a mělké salátové mísy. Horní koš je vybaven opěrkami, které lze ve svislé poloze použít k umístění podšálků a dezertních talířů, nebo v nižší poloze k umístění misek a nádob na potraviny.

(příklad naplnění horního koše)



### Nastavení výšky horního koše

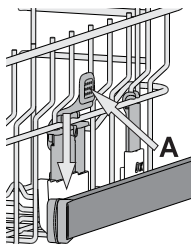
Výšku horního koše lze nastavit: Při umístění do vyšší polohy lze do spodního koše vkládat objemnější kusy, v nižší poloze pak lze nejlépe využít sklopných opěrek – v horní části se tak vytvoří větší prostor a předejde se kolizím s předměty uloženými ve spodním koši.

Horní koš je vybaven **zařízením pro nastavení výšky horního koše** (viz obr.), bez nutnosti používat páky. Stačí koš prostě zvednout za strany, dokud nezapadne do stabilní horní polohy.

Pro návrat koše zpět do dolní polohy stiskněte páky **A** po stranách koše a zatlačte koš dolů.

**Důrazně doporučujeme neměnit polohu koše, je-li plný.**

**NIKDY nesnižujte ani nezvyšujte polohu koše pouze na jedné straně.**

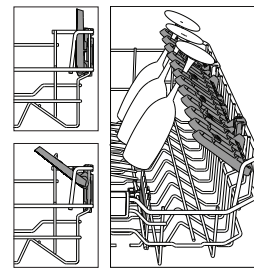


### Sklopné opěrky s nastavitelnou polohou

Postranní sklopné opěrky lze sklopit nebo vyklopit za účelem lepšího uspořádání nádobí v koši. Do sklopných opěrek je možno bezpečně umístit sklenice na víno, a to tak, že stopku každé z nich opěreme do příslušného vybrání.

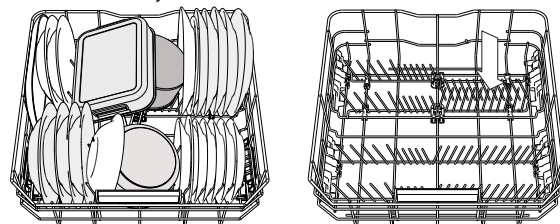
Podle modelu:

- vyklopení opěrek: je třeba je posunout nahoru a otočit jimi nebo je uvolnit z přichytek a zatáhnout směrem dolů;
- sklopení opěrek: je třeba jimi otočit a posunout je dolů, nebo je vytáhnout směrem nahoru a připnout do přichytek.



### DOLNÍ KOŠ

Je určen na hrnce, tácy, talíře, salátové mísy, příbory atd. Velké talíře a poklice by měly být umístěny po stranách, aby nedošlo ke kontaktu s ostříkovacími rameny. Dolní koš je vybaven opěrkami, které lze ve svislé poloze použít k umístění talířů nebo v horizontální (dolní) poloze ke snadnému umístění hrnců a salátových misek.



(příklad plnění dolního koše)

### POWER CLEAN®

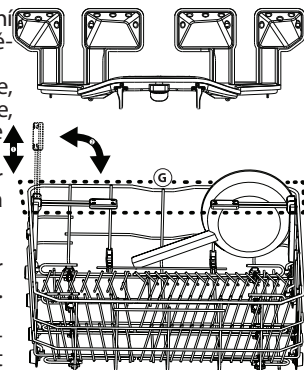
Při funkci „Power Clean“ se používají speciální proudy vody v zadní části myčky k intenzivnějšímu mytí velmi špinavého nádobí.

Dolní koš je vybaven zařízením Space Zone, speciální výsuvnou opěrkou v zadní části koše, kterou lze použít k opření pánví či pekáčů ve svislé poloze, kdy zabírají méně místa.

Umístěte hrnce a kastroly proti ústí Power Clean® a aktivujte funkci **POWER CLEAN®** na panelu.

Jak používat funkci „Power Clean“:

1. Upravte prostor (**G**) pro účinné mytí „Power Clean“ sklopením zadních držáků talířů. Tím uvolníte prostor pro hrnce.
2. Hrnce a kastroly položte svisle do prostoru „Power Clean“. Hrnce je třeba naklonit směrem k vodním tryskám.



## ÚDRŽBA A ČIŠTĚNÍ

### ČIŠTĚNÍ SESTAVY FILTRU

Pravidelně čistěte sestavu filtru, aby nebyla ucpaná a voda mohla řádně odtékat. Používání myčky s ucpanými filtry nebo cizími předměty ve filtračním systému či rozstříkovačích může způsobit nesprávný chod spotřebiče, ztrátu účinnosti, hlučný chod nebo vyšší spotřebu.

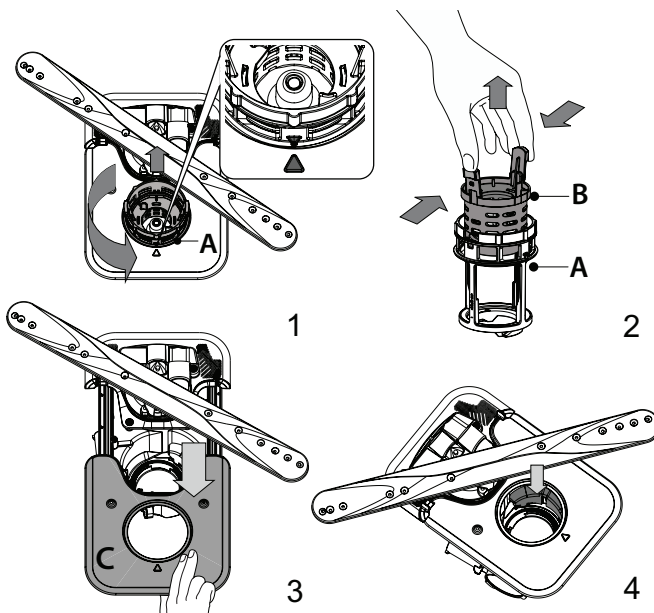
Sestava filtru se skládá ze tří filtrů, které pomáhají zmycí vody odstranit zbytky potravin a umožňují její následnou recirkulaci.

**Myčka nesmí být používána bez filtrů nebo s nedotaženými filtry.**

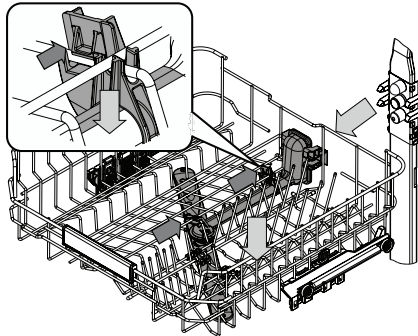
Nejméně jednou měsíčně nebo po každých 30 cyklech zkontrolujte sestavu filtru a v případě potřeby jej důkladně vymyjte pod tekoucí vodou za pomoci nekovového kartáče podle pokynů níže:

1. Otočte válcovým filtrem **A** proti směru chodu hodinových ručiček a vyjměte jej (obr. 1). **Při opětovné instalaci filtru je důležité, aby se oba trojúhelníky zobrazené na zoomu setkaly.**
2. Mírným tlakem na postranní klapky vyjměte miskový filtr **B** (obr. 2).
3. Vysuňte nerezový deskový filtr **C** (obr. 3).
4. Pokud naleznete cizí předměty (např. úlomky skla, porcelánu, kosti, semínka z ovoce), **opatrně je odstraňte.**
5. Prohlédněte prostor pod filtrem a odstraňte případné zbytky jídla. **NIKDY NEODSTRAŇUJTE** ochranu čerpadla mycího cyklu (zobrazeno šipkou) (obr. 4).

Po vyčištění filtry vraťte na jejich místo a zajistěte je; je to zásadní pro zachování funkčnosti myčky.

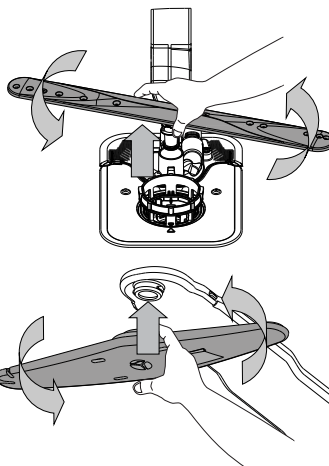


**ČIŠTĚNÍ OSTRÍKOVACÍCH RAMEN**



Někdy se stane, že se do ostríkovacích ramen dostane zbytek jídla a ucpe některou z jeho trysek. Doporučujeme proto občasnou kontrolu ramen a jejich vyčištění malým nekovovým kartáčkem.

Chcete-li odebrat horní ostríkování, musíte jej odebrat včetně rozdělovacího potrubí.



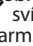
Spodní ostríkovací rameno lze vyjmout zatažením směrem nahoru a otočením proti směru hodinových ručiček. Zpětná montáž ostríkovacího ramene se provádí zatažením dolů a otočením ve směru hodinových ručiček.

Horní ostríkovací rameno lze vyjmout zatlačením směrem nahoru a otočením proti směru hodinových ručiček. Zpětná montáž ostríkovacího ramene se provádí zatažením nahoru a otočením ve směru hodinových ručiček.

**ODSTRAŇOVÁNÍ ZÁVAD**

**Pokud vaše myčka nádobí nefunguje správně, pokuste se problém vyřešit za pomoci informací uvedených v tomto seznamu. V případě jiných problémů nebo dotazů se obraťte na autorizovaný poprodejní servis, jehož kontaktní údaje najdete v záručním listě. Náhradní díly budou k dispozici po dobu až 7 nebo až 10 let podle konkrétních požadavků nařízení.**

PROBLÉMY	MOŽNÉ PŘÍČINY	ŘEŠENÍ
Svítí indikátor soli	Zásobník soli je téměř prázdný.	Doplňte do nádržky sůl (další informace – viz <b>NAPLNĚNÍ ZÁSOBNÍKU SOLI</b> ). V případě potřeby zkontrolujte nastavení tvrdosti vody – viz <b>TABULKA TVRDOSTI VODY</b> .
Indikátor soli bliká	Zásobník soli je prázdný.	Co nejdříve doplňte do zásobníku sůl. Používání spotřebiče bez soli může způsobit poškození vnitřních komponent.
Indikátor leštidla svítí nebo bliká	Zásobník leštidla je prázdný. (Poté, co leštidlo doplníte, může kontrolka zůstat ještě krátkou dobu svítit.)	Doplňte do zásobníku leštidlo (více informací viz <b>DOPLNĚNÍ DÁVKOVAČE LEŠTIDLA</b> ).
Indikátor odvápnění svítí nebo bliká; zobrazuje se alarm „dES“.	Na vnitřních součástech spotřebiče se hromadí vodní kámen.	Spotřebič ihned odvápněte pomocí programu Autočištění a běžně dostupného odvápnovacího prostředku (viz <b>MOŽNOSTI A FUNKCE</b> ). Doplněte do nádržky sůl. Zkontrolujte nastavení tvrdosti vody. Pokud odvápnění spotřebiče neprovedete, přestane fungovat.
Myčka se nespouští nebo nereaguje na povely.	Spotřebič není správně připojen do zásuvky.	Zasuňte zástrčku do zásuvky.
	Výpadek proudu.	Z bezpečnostních důvodů se myčka při obnovení napájení automaticky znovu nespustí. Otevřete dvířka myčky, stiskněte tlačítko SPUSTIT/Pozastavit a poté dvířka do 4 sekund znovu zavřete.
	Dveře myčky nejsou dobře zavřené. Količek funkce Natural Dry není zatažený.	Důkladně zavřete dveře, dokud neuslyšíte „cvaknutí“.
	Otevřením dvířek na více než 4 sekundy dojde k přerušení cyklu.	Stiskněte tlačítko SPUSTIT/Pozastavit a do 4 sekund uzavřete dvířka.
	Ovládací panel nereaguje, popřípadě se zobrazuje kód <b>F6 E1</b> .	Vypněte spotřebič stisknutím tlačítka ZAPNOUT/VYPNOUT/Resetování a po uplynutí cca jedné minuty jej znovu zapněte a restartujte program. Pokud problém přetrvává, spotřebič na 1 minutu odpojte od napájení a poté jej znovu zapojte.
Myčka nevypouští vodu. Na displeji se zobrazuje: <b>F7 E3</b> nebo <b>F9 E1</b>	Filtr je ucpaný zbytky jídla nebo vodním kamenem.	Filtr vyčistěte a proveďte odvápnění spotřebiče (viz <b>ČIŠTĚNÍ SESTAVY FILTRU a ODVÁPNĚNÍ</b> ).
	Vypouštěč hadice je zkroucená.	Zkontrolujte vypouštěč hadici (viz <b>POKYNY K INSTALACI</b> ).
	Odpad dřezu je ucpaný.	Vyčistěte odtok dřezu.
Myčka je příliš hlučná.	Nádobí na sebe naráží.	Nádobí správně rozmístěte (viz <b>PLNĚNÍ KOŠŮ</b> ).
	Je přítomno nadměrné množství pěny.	Mycí prostředek nebyl správně nadávkován, popřípadě není vhodný pro použití v myčkách nádobí (viz <b>DOPLNĚNÍ DÁVKOVAČE LEŠTIDLA</b> ). Restartujte aktuální cyklus vypnutím a opětovným zapnutím myčky. Poté zvolte nový program, stiskněte tlačítko SPUSTIT/Pozastavit a během 4 sekund zavřete dvířka. Nepřidávejte prosím žádný mycí prostředek.
	Nádobí nebylo v myčce správně uspořádáno.	Nádobí správně rozmístěte (viz <b>PLNĚNÍ KOŠŮ</b> ).
	Filtr je ucpaný zbytky jídla nebo vodním kamenem.	Vyčistěte sestavu filtrů (viz <b>ÚDRŽBA A ČIŠTĚNÍ</b> ).
Nádobí není umyté.	Nádobí nebylo v myčce správně uspořádáno.	Nádobí správně rozmístěte (viz <b>PLNĚNÍ KOŠŮ</b> ).
	Ostríkovací ramena se nemohou volně otáčet – brání jim nádobí.	Nádobí správně rozmístěte (viz <b>PLNĚNÍ KOŠŮ</b> ). Zkontrolujte, zda je horní koš ve správné poloze, a v případě potřeby jej upravte (zvedněte).
	Mycí cyklus je příliš jemný.	Vyberte vhodný mycí cyklus (viz <b>TABULKA PROGRAMŮ</b> ).
	Je přítomno nadměrné množství pěny.	Mycí prostředek nebyl správně nadávkován, nebo není vhodný pro použití v myčkách nádobí (viz <b>PLNĚNÍ ZÁSOBNÍKU MYCÍHO PROSTŘEDKU</b> ).
	Víčko zásobníku leštidla není dobře uzavřeno.	Přesvědčte se, že je víčko na zásobníku leštidla dobře zavřeno.
	Filtr je ucpaný zbytky jídla nebo vodním kamenem.	Vyčistěte filtr a spotřebič odvápněte (viz <b>ČIŠTĚNÍ SESTAVY FILTRU</b> ).
	Zásobník soli je prázdný.	Doplňte zásobník na sůl (viz <b>NAPLNĚNÍ ZÁSOBNÍKU SOLI</b> ).

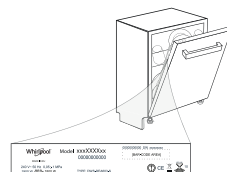
PROBLÉMY	MOŽNÉ PŘÍČINY	ŘEŠENÍ
Myčka nenapouští vodu. Na displeji se zobrazuje: <b>H2O</b> a  svítí; zní zvukový alarm.	V potrubí není voda nebo je uzavřený přívodní ventil.	Zkontrolujte, zda je v potrubí voda a zda je otevřený přívodní ventil.
	Přívodní hadice vody je zkroutená.	Zkontroluje přívodní hadici (viz <i>INSTALACE</i> ). Otevřete dvířka myčky, stiskněte tlačítko SPUSTIT/Pozastavit a poté dvířka do 4 sekund znovu zavřete.
	Sítka v přívodní hadici je zanesené; je třeba je vyčistit.	Překontroluje a vyčistěte sítka nacházející se v přívodní hadici vody. Otevřete dvířka myčky, stiskněte tlačítko SPUSTIT/Pozastavit a poté dvířka do 4 sekund znovu zavřete.
Myčka předčasně ukončuje cyklus. Na displeji se zobrazuje: <b>F8 E3</b>	Filtr je ucpaný zbytky jídla nebo vodním kamenem.	Filtr vyčistěte a proveďte odvápnění spotřebiče (viz <i>ČIŠTĚNÍ SESTAVY FILTRU a ODVÁPŇENÍ</i> ).
	Vypouštěcí hadice je umístěna příliš nízko, nebo dochází k vypouštění do domácího kanalizačního systému.	Zkontrolujte, zda je konec vypouštěcí hadice umístěn ve správné výšce (viz <i>INSTALACE</i> ). Zkontrolujte, zda nedochází k vypouštění do domovní kanalizace, a v případě potřeby nainstalujte přeřušovač sifonu / ventil pro přívod vzduchu.
	Je přítomno nadměrné množství pěny.	Mycí prostředek nebyl správně nadávkován, nebo není vhodný pro použití v myčkách nádobí (viz <i>DOPLNĚNÍ DÁVKOVAČE MYCÍHO PROSTŘEDKU</i> ).
	Vzduch v přívodní hadici.	Zkontrolujte, zda systém přívodu vody nevykazuje netěsnosti, nebo zda se nevyskytují jiné závady, které způsobují pronikání vzduchu dovnitř.
Nádobí není dobře usušené.	Není přítomen lešticí prostředek, popřípadě je dávkováno příliš malé množství.	Ujistěte se, že zásobník na leštidlo je doplněn (viz <i>DOPLNĚNÍ DÁVKOVAČE LEŠTIDLA</i> ). Při použití pouze multifunkčních tablet nedocílíte tak dobré účinnosti sušení jako při použití tekutého leštidla.
	Nádobí bylo vyloženo po automatickém otevření dvířek, ale před skutečným ukončením cyklu.	Před zahájením vykládání nádobí se ujistěte, že cyklus skončil (viz <i>DENNÍ POUŽÍVÁNÍ</i> ). Pro ještě lepší výsledky sušení doporučujeme po skončení cyklu ponechat nádobí v myčce s otevřenými dvířky dalších 15 minut.
	Nádobí je uloženo příliš na plocho.	Pokud máte v prohlubních šálků, hrnků nebo misek nahromaděnou vodu, zkuste vložit nádobí do myčky (to platí zvláště pro horní koš) tak, aby bylo více nakloněné, aby větší množství vody mohlo odkapat ještě předtím, než začne sušení.
	Zvolený mycí cyklus nezahrnuje fázi sušení.	Podívejte se do <i>TABULKY PROGRAMŮ</i> , abyste zjistili, zda je součástí zvoleného programu i fáze sušení. Cyklus bez fáze sušení nemusí zajistit požadovanou účinnost sušení, proto doporučujeme změnit výběr mycího cyklu a zvolit takový, který fázi sušení má.
	Nádobí je z plastu s nepřílnavou úpravou.	Ulpění pár kapek vody na tomto typu materiálu je normální.
Na nádobí a sklenicích jsou modré pruhy, nebo mají namodralý nádech.	Dávkování leštidla je příliš vysoké.	Nastavte dávkování na nižší množství.
Nádobí i sklenice mají na sobě vrstvu vodního kamene nebo bílý film.	Zásobník soli je prázdný.	Co nejdříve doplňte do zásobníku sůl. Používání spotřebiče bez soli může způsobit poškození vnitřních komponent.
	Nastavení tvrdosti vody je příliš nízké.	Zvyšte hodnoty nastavení (viz <i>TABULKA TVRĐOSTI VODY</i> ).
	Uzávěr zásobníku na sůl není správně zavřený.	Překontrolujte a zavřete uzávěr nádržky na sůl.
	Zásobník na leštidlo je prázdný, popřípadě dávkování leštidla není dostatečné.	Doplňte do zásobníku leštidlo a překontrolujte nastavení dávkování (viz <i>DOPLNĚNÍ DÁVKOVAČE LEŠTIDLA</i> ).
Myčka zobrazuje kód <b>F8 E5</b>	Ventil je zablokovaný nebo vadný.	Je-li to možné, zavřete vodovodní kohoutek. Nevypínejte napájení. Zavolejte do servisu.



### Firemní zásady, standardní dokumentaci, objednávky náhradních dílů a další informace o výrobku získáte:

- Pomocí naskenování QR kódu a návštěvou našeho webu: [docs.whirlpool.eu](https://docs.whirlpool.eu)
- Návštěvou našeho webu: [parts-selfservice.whirlpool.com](https://parts-selfservice.whirlpool.com)
- Případně **kontaktujte náš poprodejní servis** (telefonní číslo najdete v záručním listě). Při kontaktování našeho poprodejního servisu prosím uveďte kódy na identifikačním štítku produktu

Informace o modelu získáte přes QR kód na energetickém štítku. Na štítku rovněž najdete identifikační číslo modelu, které můžete použít k vyhledávání v rejstříku na portálu <https://eprel.ec.europa.eu>.





**TAK FORDI DU HAR KØBT ET WHIRLPOOL-PRODUKT.**  
For at modtage en mere komplet assistance, bedes du registrere dit apparat på [www.whirlpool.eu/register](http://www.whirlpool.eu/register)

Læs omhyggeligt Oversigtsvejledningen og Sikkerheds- og installationsanvisningerne før brug af apparatet. Se flere oplysninger om dit produkt på websitet: [docs.whirlpool.eu](http://docs.whirlpool.eu)



Husk at fjerne alle transportbeskyttelsesdelene fra opvaskemaskinen efter installation.

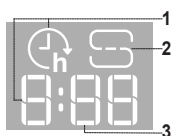
## BETJENINGSPANEL



1. **TÆND-SLUK/Nulstil**-knap med kontrollampe
2. Knap til **Øko-program** med kontrollampe
3. Knap til **programmet Hurtigt** med kontrollampe/ **Forvaskprogram** - tryk i 3 sekunder
4. Knap til **programmet Krystal** med kontrollampe / **Selvrensende** - tryk i 3 sekunder
5. Knapper til **programmernes Auto** med kontrollamper - **Auto intensiv 65° / Auto Blandet 55° / Auto Hurtigt 50°**
6. Indikatorlys til tom **saltbeholder**
7. Indikatorlys til tom **beholder til afspændingsmiddel**

8. **Display**
9. Indikator for **Programnummer** og **tilbageværende tid**
10. Kontrollampe for **Lukket vandhane**
11. Indikatorlys for **FJERNELSE AF KALK**
12. Knapper til **valgmulighedenes Ekstra** med kontrollamper - **Halvt Fyldt/ Støvsug/ Sani-Skyl**
13. Knap til **valgmuligheden Power Clean®** med kontrollampe
14. Knap til **valgmuligheden Ekstra Tør** med kontrollampe/ **Indstillinger** - tryk i 3 sekunder
15. Knap til **valgmuligheden Udsæt Start** med kontrollampe
16. **START/Pause**-knap med kontrollampe

## VISUALISERING PÅ GULVET



1. **Udskudt tid på gulvet** - angivelse af den tilbageværende tid før cyklusstart, når udskydningsfunktionen er indstillet
2. **Tom saltbeholder** - indikatorlys på gulvet
3. **Tilbageværende tid på gulvet** - angivelse af den tilbageværende tid før cyklussens afslutning

## FØRSTEGANGSBRUG

### INDSTILLINGSMENU

1. Tænd for maskinen ved at trykke på knappen **TÆND/SLUK**.
2. Hold **Indstillingsknappen** (Ekstra Tør/Power Clean) inde i 3 sekunder, indtil du hører et bip og displayet viser „SET“.
3. Efter et sekund vil den første tilgængelige indstilling (bogstav, „h“) blive vist.
4. Tryk på knappen **programmernes Auto / valgmulighedenes Ekstra** for at rulle gennem listen over tilgængelige indstillinger (se tabellen nedenfor), og tryk derefter på **START/Pause** for at se og ændre værdien af den aktuelt valgte indstilling.
5. Tryk på **programmernes Auto / valgmulighedenes Ekstra** for at ændre værdien, og tryk derefter på **START/Pause** for at gemme den nye værdi.
6. Gentag punkt 2 og 5 for at ændre en anden indstilling.
7. Tryk på **TÆND/SLUK** eller vent 30 sekunder for at forlade menuen.

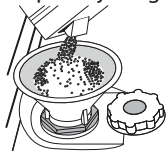
BOG-STAV	INDSTILLING	VÆRDIER (Standard - med fed skrift)
h	<b>Vandets hårdhedsgrad</b> (se "INDSTILLING AF VANDETS HÅRDHEDSGRAD" og "TABEL OVER VANDETS HÅRDHEDSGRAD")	1   2   <b>3</b>   4   5
0   1   2   3   4   5	<b>Dosering af afspændingsmiddel</b> (se "INDSTILLING AF AFSPÆNDINGSMIDDELDOSERING")	0   1   2   3   4   5
1   0	<b>NaturalDry</b> (se "INDSTILLINGER OG FUNKTIONER") "1" = til, "0" = fra	1   0
1   0	<b>Tid På Gulvet</b> (se "INDSTILLINGER OG FUNKTIONER") "1" = til, "0" = fra	1   0
1   0	<b>Lyd</b> "1" = til, "0" = fra	1   0
-	<b>Fabriksindstillinger</b> Tryk på <b>START/Pause</b> for at gendanne alle værdierne for indstillingerne i indstillingsmenuen til fabriksindstillingerne.	-

### PÅFYLDNING AF SALT

Når der bruges salt, forhindres dannelse af KALK på servicet og maskinens komponenter.

Saltbeholderen sidder i den nederste del af opvaskemaskinen (under den nederste kurv i venstre side).

- Det er obligatorisk at **SALTBEHOLDEREN ALDRIG ER TOM**.
- Det er vigtigt, at vandets hårdhedsgrad indstilles.
- Der skal fyldes salt i, når **kontrollampen for PÅFYLDNING AF SALT** på betjeningspanelet er tændt.



1. Tag den nederste kurv ud, og skru låget af beholderen (mod uret).
2. Sæt tragten i (se billedet), og fyld saltbeholderen helt op til kanten (ca. 0,5 kg). Det er normalt, at der løber lidt vand ud.
3. **Følgende skal kun gøres første gang: Fyld saltbeholderen med vand.**

4. Fjern tragten, og aftør eventuel salt omkring åbningen. Kontroller, at låget er skuet godt fast, så der ikke kan komme opvaskemiddel i beholderen under vaskeprogrammet (hvilket kan forårsage uoprettelig skade på blødgøringsanlægget).

**Kør et program, hver gang du fylder saltbeholderen op, for at undgå korrosion.**

### Indstilling af vandets hårdhedsgrad

For at blødgøringsanlægget kan fungere perfekt, er det vigtigt, at indstillingen af vandets hårdhedsgrad er baseret på den faktiske hårdhedsgrad for vandet i din bolig. Du kan få hårdhedsgraden oplyst hos dit lokale vandværk. Fabriksindstillingen er "3". Se "TABEL OVER VANDETS HÅRDHEDSGRAD". Ændringer foretages ved at følge anvisningerne i afsnittet "INDSTILLINGSMENU". **Der må kun anvendes salt, der er beregnet til opvaskemaskiner.**

Når der er fyldt salt på maskinen, slukkes indikatorlampen for påfyldning af salt.

Tabel over vandhårdhedsgrader

Niveau	°dH Tysk hårdhed	°fH Fransk hårdhed	°Clark Engelsk hårdhed
1 (blødt)	0 - 6	0 - 10	0 - 7
2 (mellem)	7 - 11	11 - 20	8 - 14
3 (gennemsnitligt)	12 - 16	21 - 29	15 - 20
4 (hårdt)	17 - 34	30 - 60	21 - 42
5 (meget hårdt)	35 - 50	61 - 90	43 - 62

Hvis saltbeholderen ikke påfyldes salt, kan det medføre skader på blødgøringsanlægget og varmelementet på grund af kalkaflejringer. Brug af Salt anbefales til enhver type opvaskemiddel til opvaskemaskiner.

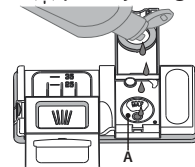
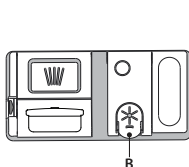
### BLØDGØRINGSANLÆG

Blødgøringsmidler reducerer automatisk vandets hårdhed, og forebygger derved opbygning af aflejringer på varmelegemet og medvirker desuden til en forbedret vaskevirkning. **Dette system regenererer sig selv med salt og det er derfor nødvendigt at fylde saltbeholderen op, når den er tom.** Regenereringens hyppighed afhænger af indstillingen af vandets hårdhedsgrad - regenereringen afvikles en gang hver 4-6. Eco cyklus med vandets hårdhedsgrad indstillet på 3. Regenereringsprocessen forekommer i begyndelsen af cyklussen med supplerende frisk vand.

- Hver regenerering forbruger: ~3 L vand;
- Cyklussen tager op til yderligere 5 minutter;
- Under 0,005 kWh energi.

### PÅFYLDNING AF AFSPÆNDINGSMIDDEL

Afspændingsmiddel fremmer TØRRINGEN af servicet. Afspændingsmidlets doseringsrum A skal fyldes op, når **kontrollampen for PÅFYLDNING AF AFSPÆNDINGSMIDDEL** på betjeningspanelet er tændt.



1. Åbn rummet B ved at trykke og trække dækslet opad.
2. Fyld forsigtigt afspændingsmidlet i til maksimumsreferencen (110 ml) i påfyldningsområdet - og undgå at spilde. Hvis det sker, skal det spildte afspændingsmiddel straks tørrer op med en klud.

3. Tryk låget nedad til der lyder et klik, for at lukke det.

**Der må ALDRIG hældes afspændingsmiddel direkte ind i maskinen.**

## Indstilling af doseringen af afspændingsmiddel

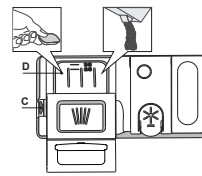
Hvis du ikke er helt tilfreds med tørreresultatet, kan du indstille mængden af afspændingsmiddel. Ændringer foretages ved at følge anvisningerne i afsnittet „INDSTILLINGSMENU“. Hvis afspændingsmiddelmængden er indstillet på NUL, leveres der intet afspændingsmiddel. **Kontrollampen LAVT AFSPÆNDINGS-MIDDELNIVEAU** vil ikke tænde, hvis afspændingsmidlet opbruges.

Der kan maksimalt indstilles 6 niveauer i funktion af opvaskemaskinens model.

- Hvis der er blålige striber på servicet, skal du vælge et lavt tal (0-3).
- Hvis der er vanddråber eller kalkpletter på servicet, skal du vælge et højt tal (4-5).

## PÅFYLDNING AF OPVASKEMIDDEL

Anvend åbningsanordningen C til at åbne doseringsrummet til opvaskemiddel. Fyld kun opvaskemidlet i det tomme doseringsrum D. Fyld opvaskemidlet til forvasken direkte i maskinen.



1. Se de tidligere nævnte informationer om den korrekte mængde opvaskemiddel. Inde i doseringsrummet D er der markeringer som hjælp til dosering af opvaskemiddel.
2. Fjern eventuelle rester af opvaskemiddel fra doseringsrummets kanter og luk dækslet, til det siger klik.
3. Luk låget på opvaskemidlets doseringsrum ved at trække det opad, indtil lukkeanordningen er bragt korrekt.

Opvaskemiddelrummet åbnes automatisk på det rigtige tidspunkt i programmet.

**Brug af opvaskemiddel, som ikke er fremstillet til opvaskemaskiner, kan medføre fejlfunktion eller beskadigelse af apparatet.**

## DAGLIG BRUG

### 1. KONTROLLER VANDTILSLUTNINGEN

Kontroller, at opvaskemaskinen er koblet til vandforsyningen, og at vandhane er åben.

### 2. TÆND FOR OPVASKEMASKINEN

Åbn lågen, og tryk på knappen **TÆND/SLUK**.

### 3. SÆT SERVICE I KURVENE (se FYLDNING AF KURVENE).

### 4. PÅFYLDNING AF OPVASKEMIDDEL

### 5. CVÆLG PROGRAM, OG TILPAS PROGRAMMET

“Vælg det bedst egnede program efter indholdet og dettes snavsethed (se PROGRAMBESKRIVELSER) ved at trykke på det valgte **PROGRAMS** knap. Vælg de ønskede indstillinger (se **INDSTILLINGER OG FUNKTIONER**). Ikke alle funktioner er kompatible med alle programmer.”

### 6. START

Start vaskecyklussen ved at trykke på knappen **START/Pause** (tændt lysdiode) og lukke lågen indenfor 4 sekunder. Der lyder ét enkelt bip, når program starter. Hvis lågen ikke lukkes indenfor 4 sekunder, høres der en lydalarm. I dette tilfælde skal lågen åbnes, knappen **START/Pause** trykkes og lågen lukkes igen indenfor 4 sekunder.

### 7. AFSLUTTET OPVASKEPROGRAM

Vaskecyklussens afslutning angives med et lydsignal og **END** (SLUT) vises på displayet. Åbn lågen, og sluk for maskinen ved at trykke på knappen **TÆND/SLUK**.

Vent nogle minutter, før servicet tages ud – det er meget varmt. Tøm kurvene. Begynd med den nederste.

### MODIFIKATION AF ET KØRENDE PROGRAM

Hvis der er valgt et forkert program, kan det ændres, forudsat at det lige er startet. **NULSTIL** maskinen: tryk og hold knappen **TÆND/SLUK** trykket i over 3 sekunder. **Maskinen vil slukke. Instrumentpanelet vil vise "0:01"**. Luk lågen og vent indtil dræncyklussen er slut (omkring 1 minut). Åbn lågen og tænd for maskinen igen med knappen **TÆND/SLUK** og vælg den nye vaskecyklus og de ønskede indstillinger. Start programmet ved at trykke på knappen **START/Pause** og lukke lågen før der går 4 sekunder.

### ISÆTNING AF EKSTRA SERVICE

Åbn lågen, først en smule for at undgå at vandet sprøjter ud, uden at slukke for maskinen (lysdioden **START/Pause** begynder at blinke) (**Pas på: Varm damp!**) og sæt servicet i opvaskemaskinen. Tryk på knappen **START/Pause** og luk lågen indenfor 4 sekunder. Programmet genstartes fra det punkt, det blev afbrudt i.

### UTILSIGTEDE AFBRYDELSER

Hvis døren åbnes under et opvaskeprogram eller i tilfælde af en strømafbrydelse, stopper programmet. **KUN HVIS DU TRYKKER PÅ knappen START/Pause** og lukker lågen indenfor 4 sekunder, genstartes programmet fra det punkt, det blev afbrudt i.

## GODE RÅD OG TIPS

### RÅD

Før kurvene fyldes skal alle madrester fjernes fra servicet, og glassene skal tømmes. **Det er ikke nødvendigt at skylle servicet af.**

Placer servicet, så det står stabilt og ikke vælter, og stil beholdere med åbningen nedad og buede/rundede flader placeret på skrå, så vandet kan nå alle flader og flyde frit. **Advarsel!** Læg håndtag og stegepander må ikke stilles, så spulearmene ikke kan rotere. Stil små genstande i bestikskuffen.

Meget snavset service og gryder skal placeres i den nederste kurv, da servicet her spules kraftigere, hvilket sikrer et bedre vaskeresultat.

Når du har fyldt opvaskemaskinen, skal du kontrollere, at spulearmene kan rotere frit.

### SERVICE, DER IKKE BØR MASKINOPVASKES

- Service og bestik af træ.
- Sarte dekorerede glas, kunsthåndværk og antikt porcelæn. Dekoratio-nerne tåler ikke maskinopvask.
- Dele i syntetisk materiale, som ikke tåler høje temperaturer.
- Service i kobber og tin.
- Service tilsmudset med aske, voks, smørefedt eller blæk.

Farverne på glasdekorationer og dele i aluminium/sølv kan forandre sig og falme. Nogle typer glas (f.eks. krystal) kan blive uigennemsigtige efter et antal vask i opvaskemaskine.

### SKADER PÅ GLAS OG PORCELÆN

- Anvend kun glas og porcelæn, som producenten garanterer kan tåle opvaskemaskine.
- Anvend et skånsomt opvaskemiddel til servicet for at undgå hvide striber på glas.
- Tag glas og bestik ud af opvaskemaskinen, straks når opvaskeprogrammet er slut.

### TIPS OM ENERGIBESPARELSE

- Hvis opvaskemaskinen anvendes i overensstemmelse med fabrikantens anvisninger, vil vask af service i en opvaskemaskine sædvanligvis forbruge MINDRE ENERGI og vand end opvask i hånden.
- Det anbefales at opvaskemaskinens program først startes, **når den er helt fyldt, for at udnytte den fulde effektivitet**. Fyldning af opvaskemaskinen til den af fabrikanten anførte kapacitet vil medvirke til at spare energi og vand. Oplysningerne om korrekt isætning af service findes i kapitlet FYLDNING AF KURVENE. Det anbefales at anvende de dedikerede programmuligheder, hvis disse findes (Halv vask/ Zone vask/ Multizone), og kun fylde de valgte kurve i tilfælde af delvis fyldning. Ukorrekt fyldning eller overfyldning af opvaske- maskinen kan forøge ressourceudnyttelsen (såsom vand, energi og tid, såvel som støjniveauet) og reducere vaske- og tørre- ydeevnen.
- Manuel skylning af servicen medfører et forhøjet forbrug af vand og energi og anbefales ikke.

### HYGIEJNE

For at undgå generende lugte og aflejringer i opvaskemaskinen **bør man køre et program ved høj temperatur mindst en gang om måneden**. Kør en cyklus med en teskefuld opvaskemiddel og uden indhold, for at rengøre apparatet.

### FROSTSIKRING

Hvis opvaskemaskinen er opstillet i et lokale med risiko for frost, **skal den tømmes fuldstændigt**. Luk for vandhanen, og tag tilløbs- og afløbsslangerne af, og lad herefter vandet løbe ud. **Sørg for, at blødgøringsmidlets beholder er fyldt med regenererings-salt**, for at beskytte maskinen ned til -20°C. Hvis apparatet har stået i frostgrader skal det forblive slukket i en omgivelsestemperatur på mindst 5°C i **mindst 24 timer** før det tages i brug.

PROGRAMTABEL

Program	Programbeskrivelser	Tørings-fase	NaturalDry	Mulige indstillinger *)	Vaskeprogrammets varighed (t:min)**)	Vandforbrug (l/program)	Strømforbrug (kWh/program)
<b>Eco</b>	Øko 50° - Øko programmet er egnet til vask af almindeligt snavset service og er det mest effektive program til dette formål, hvad angår kombinationen af energi- og vandforbrug, og dette anvendes til at vurdere overensstemmelsen med EU lovgivningen for miljøvenligt design.	✓	✓		3:30	9,5	0,76
	<b>Hurtigt</b> 45° - Programmet anbefales til mindre mængder af let snavsede tallerkner uden indtørrede madrester. Det omfatter ikke tørrefasen.	-	✓		0:30 - 0:40	10,0 - 12,0	0,55 - 0,65
	<b>Krystal</b> 45° - Program til sart service, som er mere følsomt over for høje temperaturer, f.eks. glas og kopper.	✓	✓		1:40 - 1:50	12,5 - 16,5	0,95 - 1,20
	<b>Auto Intensiv</b> 65° - Automatisk program til meget snavset service og pander.	✓	✓		2:25 - 3:10	15,5 - 24,5	1,30 - 1,70
	<b>Auto Blandet</b> 55° - Automatisk program til almindeligt snavsede tallerkner med indtørrede madrester.	✓	✓		1:20 - 3:00	7,5 - 19,5	0,75 - 1,20
	<b>Auto Hurtigt</b> 50° - Automatisk program til almindeligt og let snavsede tallerkner. Hverdagscyklussen som sikrer optimal rengøring og tørring på kortere tid.	✓	✓		1:00 - 1:50	7,5 - 15,5	0,70 - 1,10
	<b>Forvask</b> - Bruges til at opfriske service, der skal vaskes senere. Der skal ikke benyttes opvaskemiddel til dette program.	-	✓		0:12	4,5	0,10
	<b>Selvrensende</b> 65° - Program til vedligeholdelse af opvaskemaskinen, som kun må afvikles for TOM opvaskemaskine med specifikt fremstillede midler til vedligeholdelse af opvaskemaskiner.	-	-		1:15	11,0	1,10

Data for Øko-programmet er målt under laboratorieforhold iht. europæisk standard EN 60436:2020.

Note til testlaboratorierne: For oplysninger om betingelserne for en EN-testsammenligning, rettes henvendelse til: dw\_test\_support@whirlpool.com

Ingen af de forskellige programmer kræver forbehandling af servicen.

\*) Ikke alle indstillinger kan anvendes samtidigt.

\*\*) Værdierne for de andre programmer end Øko er kun vejledende. Den faktiske tid kan variere afhængig af mange faktorer, eksempelvis temperatur og tryk på vandtilførslen, rumtemperaturen, mængden af opvaskemiddel, mængden og typen af service, servicets afbalancering, øvrige valgte indstillinger og sensorens kalibrering. Sensorens kalibrering kan forøge programmets varighed med op til 20 min.

INDSTILLINGER OG FUNKTIONER

**FUNKTIONER kan vælges/fravælges efter valg af programmet, ved at trykke direkte på den tilsvarende knap (hvis funktionen er disponibel, tænder indikatorn) (se BETJENINGSPANEL). Hvis en indstilling ikke kan anvendes sammen med det valgte program (se PROGRAMTABEL), blinker den tilhørende indikator hurtigt 3 gange og bipper. Indstillinger aktiveres ikke. En funktion kan ændre varigheden eller vand/energiforbruget for programmet.**

**HALVT FYLDT** - Hvis der ikke er mange tallerkner, der skal vaskes, anvendes programmet HALVT FYLDT til at spare vand, elektricitet og sæbe.

**Husk at reducere mængden af sæbe.**

**STØJSVAG** - Velegnet, når opvaskemaskinen skal køre om natten. Denne funktion kan anvendes til at reducere støjemission under vaskefasen. Den vil forlænge cyklussens varighed i funktion af den valgte basiscyklus.

**SANI SKYL** - Denne funktion kan anvendes til at desinficere vaskede tallerkner. Den afsluttende temperatur på skyllevandet forøges og der føjes antibakteriel vask til det valgte program. Ideel til rengøring af service og sutteflasker. Opvaskemaskinens låge skal holdes lukket under hele programmets varighed for at garantere reducere af mikrober.

**ADVARSEL: Servicet og tallerkener kan være meget varme ved cyklussens afslutning.**

**POWER CLEAN®** - Takket være de ekstra vanddyser giver denne funktion en mere intensiv og kraftig opvask i den nederste kurv, i dette specielle område. Denne funktion anbefales til opvask af kogegrej (Læs afsnittet the Power Clean®).

**EKSTRA TØR** - En højere temperatur under sidste skyl og længere tørringsfase sikrer bedre tørring. Indstillingen EKSTRA TØR medfører, at vaskeprogrammet forlænges.

**UDSÆT START** - Programmets starttidspunkt kan udskydes med mellem 0:30 og 24 timer.

1. Markér programmet og de eventuelle ønskede valgmuligheder. Tryk (flere gange) på knappen UDSÆT START, for at udskyde programmets start. Kan indstilles til fra 0:30 til 24 timer. Når 24 timers indstillingen er nået, skal du trykke på UDSÆT START igen for at deaktivere funktionen UDSÆT START.

2. Tryk på knappen START/Pause og luk lågen indenfor 4 sekunder. Timeren begynder at tælle ned.

3. Når den indstillede tid er gået, slukkes kontrollampen, og programmet starter automatisk.

**Funktionen UDSÆT START kan ikke indstilles, efter et program er blevet startet.**

**TID PÅ GULVET** - Et lysdiodelys, projiceret på gulvet, angiver den tilbageværende tid før cyklussen er færdig. Lyset slukkes, hver gang lågen åbnes. Lyset slukkes efter endt cyklus. Denne funktion er aktiv som standard, men det er muligt at slå den fra i menuen "INDSTILLINGER".

**FJERNELSE AF KALK - Alarm** - Der blev registreret kalkophobning på indvendige komponenter i apparatet. Kontroller, om **Indstillingen af Vandets Hårdhedsgrad** er på den korrekte værdi, og om der er salt i saltbeholderen (se FØRSTEGANGSBRUG), og **brug derefter et afkalkningsprodukt** (WPro-mærke anbefales) med **programmet Selvrensende**. Efter en vellykket afkalkning stopper ikonet med at blive vist.

Hvis handlingerne ovenfor ikke udføres, vil produktets ydeevne forringes. Advarslen AFKALK begynder at blinke, og «dES»-alarmen vises på displayet. Hvis der stadig ikke foretages nogen handling, vil apparatet kun tillade, at et bestemt antal cyklusser startes (angivet med visningen af «dES»-alarmen) og vil derefter blive **BLOKERET** for at forhindre beskadigelse af komponenter, **med kun programmet Selvrensende tilgængeligt**. Når der udføres en komplet afkalkning, fjernes blokeringen af produktet. Ved ekstremt store mængder kalk skal afkalkning muligvis udføres to gange for at være effektiv.

**NaturalDry** - Er et tørresystem med varmluft, som automatisk åbner lågen under/efter tørrefasen, for at sikre en exceptionel tørring hver dag. Lågen åbnes ved en temperatur, som ikke udretter skade på dine køkkenelementer, så lågen vil derfor ikke blive åbnet, hvis funktionerne SANI SKYL er tændt. Som en yderligere beskyttelse mod dampen er opvaskemaskinen blevet udstyret med en specialdesignet beskyttelsesfolie. Oplysningerne om hvordan beskyttelsesfolien skal monteres findes i INSTALLATIONSVEJLEDNINGEN. Denne egenskab er som default aktiv, men det er muligt at slå den fra i "INDSTILLINGSMENUEN".

**SANSER** - Når sensoren registrerer tilsmudsningsgraden, vises en animation på displayet (cirka 20 min.), og programmets varighed opdateres. Sensing angår tallerknernes tilsmudsningsgrad og findes til alle cyklusserne (bortset fra Øko) og justerer programmet herefter.

**VANDHANEN ER LUKKET - Alarm** - Blinker, hvis der ikke er vandtilførsel eller hvis vandhanen er lukket.

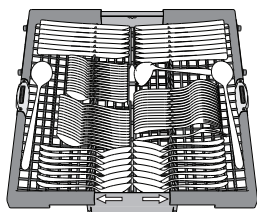
## FYLDNING AF KURVENE

KAPACITET: 15 standardkuverter

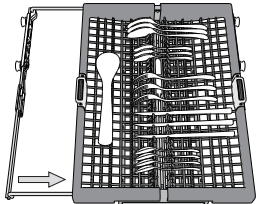
### BESTIKKURV

Den tredje kurv er beregnet til bestik. Anbring bestikket som vist på tegningen. Separat anbragt bestik gør det nemmere at sortere dem efter opvask og forbedrer vask- og tørreresultatet.

**Knive og andre skarpe genstande skal placeres med spidserne nedad.**



Kurvens geometri giver mulighed for at anbringe selv så små ting som espressokopper i det centrale område.

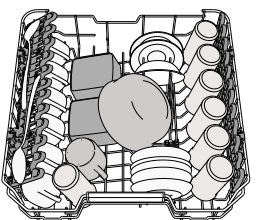


### ØVERSTE KURV

Til sart og let service: glas, kopper, underkopper, lave salatskåle.

Den øverste kurv har holdere, som kan bruges i lodret position ved arrangement te/ dessert underkopper eller i en lavere position til fylde skåle og madbeholdere.

(eksempel på placering af service i den øverste kurv)

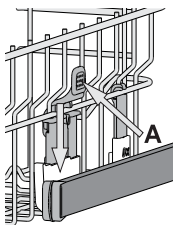


### Indstilling af højden for den øverste kurv

Højden for den øverste kurv kan indstilles: Høj placering, der giver plads til stort service i den nederste kurv, og lav placering, som gør det muligt at udnytte de vipbare hylder og få bedre plads i højden og undgå kollision med tingene i den øvre kurv.

Den øverste kurv har en **højdejusteringsanordning** (se billedet), der blot løftes op ved at holde i kurvens sider, så snart kurven hænger stabilt i den øverste position. Tryk på grebene (A) på kurvens sider og flyt kurven nedad for at flytte den tilbage til den nederste position.

**Vi anbefaler kraftigt, at du ikke ændrer kurvens indstillinger, mens der står service i den. Kurven må ALDRIG kun løftes eller sænkes i den ene side.**

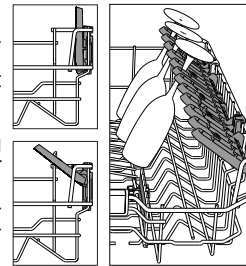


### Vipbare hylder med justerbar position

De vipbare hylder i siderne kan åbnes eller lukkes, for at optimere placeringen af service i kurven. Vinglas kan stilles sikkert i de vipbare hylder ved at sætte glassets stilk i fordybningerne.

Afhængigt af model:

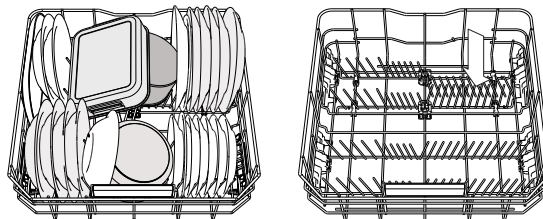
- skal hylderne åbnes ved at trække dem opad og dreje dem eller udløse deres låsemekanismer og skubbe dem ned.
- skal hylderne lukkes ved at dreje dem eller trykke dem nedad eller trække dem opad og indkoble hylderne i låsemekanismerne.



### NEDERSTE KURV

Til gryder, tallerkener, salatskåle, bestik osv. Store tallerkener og låg bør placeres i siderne for at undgå, at spulearmen støder imod dem.

Den nederste kurv har holdere, der nemt kan vippes op og bruges i lodret position til placering af tallerkener eller lægges ned for at give plads til gryder og salatskåle.

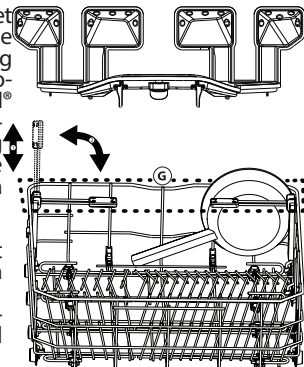


(eksempel på placering af service i den nederste kurv)

### POWER CLEAN®

Med funktionen Power Clean® bliver meget snavsede ting vasket ekstra effektivt med de særlige vanddyser bagest i maskinen. Anbring kogegrej så det vender i retning af afstandszonen og aktiver **POWER CLEAN®** fra panelet. Den nederste kurv har en afstandszone, som er en særlig udtræksanordning bagerst på kurven, som kan bruges til at støtte stegepander eller bradepander, så de kan stå op og dermed optage mindre plads. Brug af Power Clean®:

1. Reguler Power Clean®-området **G** ved at lægge de bageste tallerkenstativer ned, så der bliver plads til kogegrej
2. Sæt gryder og pander på skrå i Power Clean®-området. Kogegrejet skal vende mod de kraftige vanddyser.



## PLEJE OG VEDLIGEHOLDELSE

### RENGØRING AF FILTERENHEDEN

Rengør filterenheden jævnligt, så filtrene ikke stoppes til, og så vandet ledes korrekt ud.

Brug af opvaskemaskinen med tilstoppede filtre eller fremmedlegemer i filterringssystemet eller vaskearmene kan medføre fejlfunktion på enheden og nedsat ydeevne, høj støj eller større ressourceforbrug.

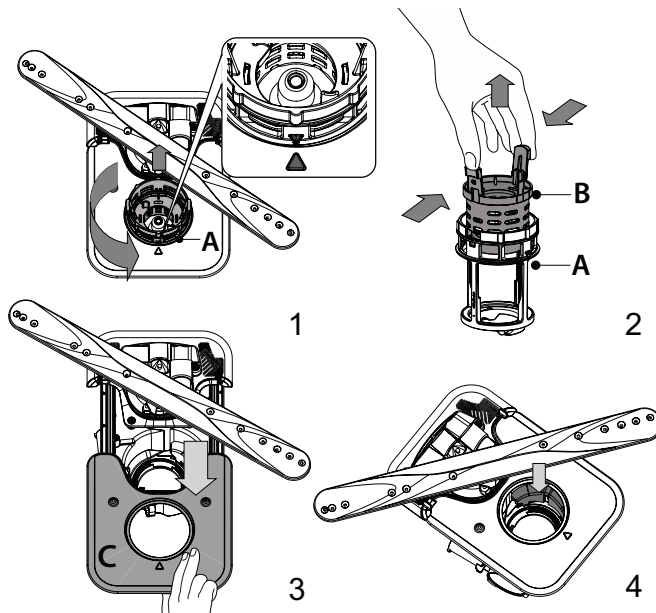
Filterenheden består af tre filtre, som fjerner madrester fra opvaskevandet og derefter recirkulerer vandet. De skal rengøres, for at opnå det bedste resultat af hver opvask.

**Opvaskemaskinen må ikke anvendes uden filtre eller med filtret siddende løst.**

Kontroller filterenheden mindst en gang om måneden eller efter 30 cyklusser, og rengør den om nødvendigt grundigt under rindende vand med en ikke-metalholdig børste som beskrevet i vejledningen nedenfor:

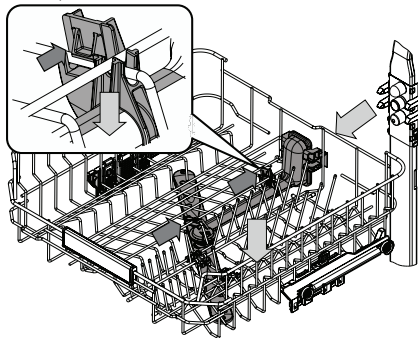
1. Drej det cylinderformede filter **A** mod uret, og træk det ud (Figur 1). **Det er vigtigt, at de to trekanter, vist i detaljen, mødes, når filtret installeres igen.**
2. Tag filterkappen **B** ud ved at trykke let på sidefligene (Figur 2).
3. Træk det rustfrie stålfilter ud **C** (Figur 3).
4. Hvis der findes fremmedlegemer (for eksempel glasskår, porcelæn, ben, frugtkerner etc.) skal de fjernes forsigtigt.
5. Kontroller opsamlere, og fjern eventuelle madrester. **FJERN ALDRIG beskyttelsesdelen til pumpen (vist med en pil) (Figur 4).**

Når filtrene er rengjort, sættes filterenheden på plads og fastgøres i den korrekte position. Dette er afgørende for, at opvaskemaskinen kan fungere effektivt.



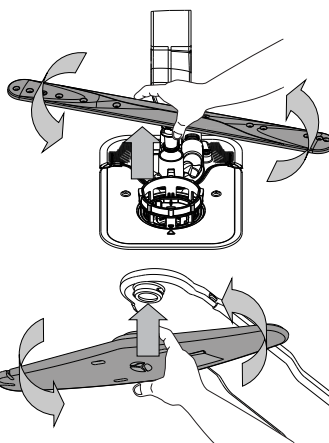


RENGØRING AF SPULEARMENE



Der kan sidde madrester fast på spulearmene, som kan blokere de huller, vandet kommer ud af. Det anbefales derfor jævnligt at efterse spulearmene og rengøre dem med en lille ikkemetalholdig børste.

Den øvre spuling skal fjernes sammen med manifolden.



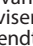
Den nedre spulearm kan tages af ved at trække den opad og dreje den mod uret. Den nedre spulearm sættes på igen ved at trække den nedad og dreje den med uret.

Den øverste spulearm kan tages af ved at trykke den opad og dreje den mod uret. Spulearmen sættes på igen ved at trække den opad og dreje den med uret.

FEJLFINDING

Tjek om du kan løse et problem ved hjælp af den nedenstående liste, hvis din opvaskemaskine ikke virker som den skal. Kontakt venligst et autoriseret servicecenter i tilfælde af andre fejl eller problemer. Kontaktdetaljerne findes i garantihæftet. Reservedele vil stå til rådighed i en periode på enten 7 eller 10 år i overensstemmelse med kravene i den specifikke forordning.

PROBLEMER	MULIGE ÅRSAGER	AFHJÆLPE
Kontrollampen for salt er tændt	Saltbeholderen er næsten tom.	Fyld saltbeholderen (se PÅFYLDNING AF SALT for flere oplysninger). Tjek om nødvendigt indstillingen af vandets hårdhed - se INDSTILLING AF VANDETS HÅRDHEDSGRAD.
Kontrollampen for salt blinker	Saltbeholderen er tom.	Fyld så snart som muligt saltbeholderen op. Brug af apparatet uden salt kan udrette skade på de interne komponenter.
Kontrollampen for afspændingsmiddel er tændt eller blinker	Afspændingsmiddelrummet er tomt. (Efter genopfyldning kan kontrollampen for afspændingsmiddel blive ved med at lyse i et stykke tid).	Fyld rummet med afspændingsmiddel (se PÅFYLDNING AF AFSPÆNDINGSMIDDEL).
Kontrollampen for afkalkning er tændt eller blinker, alarmerne „dES“ visualiseres.	Kalk aflejres på apparatets interne ved hjælp af komponenter.	Afkalk øjeblikkeligt apparatet ved hjælp af programmet Selvrensende og et almindeligt afkalkningsprodukt (se INDSTILLINGER OG FUNKTIONER). Fyld beholderen op med salt. Tjek indstillingen af vandets hårdhedsgrad. Hvis apparatet ikke afkalkes, vil det holde op med at fungere.
Opvaskemaskinen starter ikke eller reagerer ikke på kommandoer.	Strømmen er ikke tilsluttet korrekt.	Sæt stikket i kontakten.
	Strømafbrydelse.	Af sikkerhedsårsager genstartes opvaskemaskinen ikke automatisk, når strømmen genetableres. Åbn opvaskemaskinens låge, tryk på knappen START/Pause og luk lågen indenfor 4 sekunder.
	Lågen er ikke lukket. NaturalDry stiften er ikke trykket ind.	Tryk på døren, til du hører et „klik“.
	Et program afbrydes af at lågen åbnes i over 4 sekunder.	Tryk på START/Pause og luk lågen inden for 4 sekunder.
	Betjeningspanelet svarer ikke eller F6 E1 visualiseres.	Sluk for maskinen ved at trykke på knappen TÆND-SLUK/Nulstil, tænd igen efter cirka et minut og genstart programmet. Træk apparatets stik ud og vent 1 minut, før det sættes i igen, hvis problemet varer ved.
Opvaskeren tømmes ikke for vand. På displayet vises: F7 E3 eller F9 E1	Filteret er tilstoppet af madrester eller kalkaflejringer.	Rengør filteret og afkalk apparatet (se RENGØRING AF FILTERENHEDEN og AFKALKNINGSSANVISNINGERNE).
	Drænslangen er bøjet.	Tjek drænslangen (se INSTALLATIONSANVISNINGERNE).
	Vaskens afløb er tilstoppet.	Rens afløbet.
Opvaskemaskinen støjer meget.	Servicet slår mod hinanden.	Anbring servicet korrekt (se FYLDNING AF KURVENE).
	Der er for meget skum.	Opvaskemidlet er ikke doseret korrekt eller er ikke egnet til brug i opvaskemaskine (se PÅFYLDNING AF OPVASKEMIDDEL). Genstart programmet ved at slukke for opvaskemaskinen, tænde den igen, vælg et nyt program, trykke på knappen START/Pause og lukke lågen inden for 4 sekunder. Tilsæt ikke mere opvaskemiddel.
	Servicet er ikke blevet placeret korrekt.	Placer servicet korrekt (se FYLDNING AF KURVENE).
	Filteret er tilstoppet af madrester eller kalkaflejringer.	Rengør filterenheden (se PLEJE OG VEDLIGEHOLDELSE).
Servicet er ikke rent.	Servicet er ikke blevet placeret korrekt.	Placer servicet korrekt (se FYLDNING AF KURVENE).
	Spulearmene kan ikke rotere frit, men blokeres af servicet.	Placer servicet korrekt (se FYLDNING AF KURVENE). Kontrollér, at den øvre kurv er placeret korrekt og justér (løft den) om nødvendigt.
	Vaskecyklussen er for skånsom.	Vælg en egnet vaskecyklus (se PROGRAMTABEL).
	Der er for meget skum.	Opvaskemidlet er ikke doseret korrekt eller er ikke egnet til brug i opvaskemaskine (se PÅFYLDNING AF OPVASKEMIDDEL).
	Dækslet på afspændingsmiddelrummet er ikke blevet lukket korrekt.	Kontroller, at dækslet på afspændingsmiddelrummet er lukket.
	Filteret er tilstoppet af madrester eller kalkaflejringer.	Rens filteret og afkalk apparatet (se RENGØRING AF FILTERENHEDEN).
	Saltbeholderen er tom.	Påfyld salt (se PÅFYLDNING AF SALT).

PROBLEMER	MULIGE ÅRSAGER	AFHJÆLPE
Opvaskemaskinen tager ikke vand ind. Displayet viser: <b>H2O</b> og  er tændt; der høres en lydalarm.	Der er ingen vand i vandforsyningen, eller der er lukket for hanen.	Kontrollér, at der er vand i vandforsyningen og at vandhanen er åben.
	Vandindløbsslangen er bøjet.	Kontrollér indløbsslangen (se <i>INSTALLATION</i> ). Åbn opvaskemaskinens låge, tryk på knappen START/Pause og luk lågen indenfor 4 sekunder.
	Skærmen i vandindløbsslangen er stoppet. Den skal rengøres.	Tjek og rens skærmen i vandindløbsslangen. Åbn opvaskemaskinens låge, tryk på knappen START/Pause og luk lågen indenfor 4 sekunder.
Opvaskemaskinen afslutter cyklussen, før den er færdig. Displayet viser: <b>F8 E3</b>	Filteret er tilstoppet af madrester eller kalkaflejringer.	Rengør filteret og afkalk apparatet (se <i>RENGØRING AF FILTERENHEDEN</i> og <i>AFKALKKNINGSANVISNINGERNE</i> ).
	Afløbsslangen er anbragt for lavt eller afledes i en vandlås i hjemmets spildevandssystem.	Kontrollér at afløbsslangen er anbragt i den korrekte højde (se <i>INSTALLATION</i> ). Kontrollér vandlåsen i hjemmets kloaksystem og monter, om nødvendigt, en vandlås-/luftadgangsventil.
	Der er for meget skum. Luft i vandforsyningen.	Opvaskemidlet er ikke doseret korrekt eller er ikke egnet til brug i opvaskemaskine (se <i>PÅFYLDNING AF OPVASKEMIDDEL</i> ). Kontrollér vandtilførslen for lækager eller andre årsager til luft heri.
Servicet er ikke tørt nok.	Afspændingsmidlet mangler eller doseringen er for lå.	Kontrollér at afspændingsmiddelrummet er fyldt (se <i>PÅFYLDNING AF AFSPÆNDINGSMIDDEL</i> ). Multifunktionsstabletter alene vil ikke formidle samme gode tørrevirkning som reel brug af flydende afspændingsmiddel.
	Maskinen er blevet tømt efter en automatisk åbning af lågen, men inden programmet reelt var slut.	Kontrollér at programmet er afsluttet før maskinen tømmes (se <i>DAGLIG BRUG</i> ). For at opnå endnu bedre tørreresultater anbefaler vi, at man lader servicet stå i opvaskemaskinen for åben låge i 15 minutter efter programmets afslutning.
	Servicet står for fladt.	Hvis du bemærker, at der er vand indendigt i hulrum på kopper, krus eller skåle, bør du prøve at stille servicet mere skævt (især i den øvre kurv) så vandet nemmere kan dryppe af før tørringen starter.
	Det valgte program har ingen tørrefase. Servicet er lavet af slip-let-materiale eller plast.	Kontrollér i <i>PROGRAMTABEL</i> om det valgte program har en tørrefase. Cyklusser uden tørrefase giver ikke altid den ønskede tørhedseffekt, så det anbefales at ændre valget af cyklus til en med tørrefase. Vanddråber på denne materialetype er normalt.
Tallerkner og glas kan have blå striber eller blålige skær.	Doseringen af afspændingsmiddel er for høj.	Justér doseringen til en lavere indstilling.
Service og glas er dækket af kalkaflejringer eller en hvidlig film.	Saltbeholderen er tom.	Fyld så snart som muligt saltbeholderen op. Brug af apparatet uden salt kan udrette skade på de interne komponenter.
	Vandets hårdhedsgrad er indstillet for lavt.	Førøg indstillingen (se <i>TABEL OVER VANDHÅRDHEDSGRADER</i> ).
	Dækslet på saltbeholderen er ikke lukket korrekt. Afspændingsmiddelrummet er tomt eller afspændingsmidlet er doseret for lavt.	Kontrollér og luk saltbeholderens dæksel. Fyld rummet med afspændingsmiddel og kontrollér doseringens indstilling (se <i>PÅFYLDNING AF AFSPÆNDINGSMIDDEL</i> ).
På opvaskemaskinen vises <b>F8 E5</b>	Ventilen er blokeret eller defekt.	Luk om muligt for vandhanen. Sluk ikke for strømforsyningen. Ring til service.

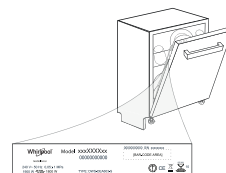


### Retningslinjer, standarddokumentation, bestilling af reservedele og supplerende produktinformation kan findes ved at:

- Ved hjælp af QR-koden og besøge vores website [docs.whirlpool.eu](https://docs.whirlpool.eu)
- Besøge vores website [parts-selfservice.whirlpool.com](https://parts-selfservice.whirlpool.com)
- Eller som alternativ **kontakte vores serviceafdeling** (Telefonnummeret findes i garantihæftet). Når du kontakter vores serviceafdeling, bedes du angive koderne på dit produkts identifikationsskilt.

Modelinformation kan indhentes ved hjælp af den anførte QR-kode på energimærkatet.

Mærkatet indeholder også modelidentifikatoren, som kan anvendes til at indhente oplysninger på registerportalen <https://eprel.ec.europa.eu> (kun disponibel på visse modeller).





KIITOS SIITÄ, ETTÄ OSTIT WHIRLPOOL-TUOTTEEN.  
Jotta voit saada parempaa palvelua, rekisteröi laitteesi osoitteessa: [www.whirlpool.eu/register](http://www.whirlpool.eu/register)

Lue turva- ja asennusohjeet huolellisesti läpi ennen laitteen käyttöä. Lisätietoja tuotteestasi on luettavissa sivustolta: [docs.whirlpool.eu](http://docs.whirlpool.eu)

⚠ Muista poistaa kaikki kuljetusta varten tarkoitetut suojaosat astianpesukoneesta asennuksen jälkeen.

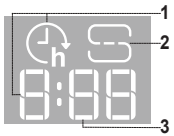
## KÄYTTÖPANEELI



- PÄÄLLÄ/ POIS/Nollaus**-painike ja sen merkkivalo
- Säästö-ohjelman** painike ja sen merkkivalo
- Pika-ohjelman** painike ja sen merkkivalo/ **Esipesu-ohjelma** - 3 sekunnin painaminen
- Kristallit-ohjelman** painike ja sen merkkivalo/ **Itsepuhdistus-ohjelma** - 3 sekunnin painaminen
- Automaattiset-ohjelmien** painikkeet ja niiden merkkivalot - **Automaattinen Teho-Ohjelma** 65° / **Automaattinen Sekaohjelma** 55° / **Automaattinen Pikaohjelma** 50°
- Tyhjä Suolasäiliö** -merkkivalo
- Tyhjä Huuhtelukirkastesäiliö** -merkkivalo

- Näyttö**
- Ohjelman numero ja jäljellä olevan ajan merkkivalo**
- Suljetun vesihanauksen** merkkivalo
- KALKINPOISTO**-merkkivalo
- Lisä-valintojen** painikkeet ja niiden merkkivalot - **Puolitäyttö/ Hiljainen/ Desinfiointi Huuhtelu**
- Power Clean® - valinnan** painike ja sen merkkivalo
- Erittäin Kuiva -valinnan** painike ja sen merkkivalo / **Asetukset** - 3 sekunnin painaminen
- Ajastus-valinnan** painike ja sen merkkivalo
- KÄYNNISTYS/Tauko-painike** ja sen merkkivalo

## NÄYTTÖ LATTIALLA



- Ajastusaika lattialla** - merkkivalo ilmoittaa ajan, jonka päätyttyä jakso käynnistyy, jos asetettuna on Ajastus-valinta
- Tyhjä suolasäiliö** - merkkivalo näkyy lattialla
- Jäljellä oleva aika lattialla** - merkkivalo ilmoittaa, kuinka paljon aikaa on vielä jäljellä jakson loppuun

## ENSIMMÄINEN KÄYTTÖKERTA

### VALIKON ASETTAMINEN

- Laita laite päälle painamalla **PÄÄLLÄ/POIS** -painiketta.
- Pidä **Asetukset** -painiketta (Erittäin Kuiva) kuulet äänimerkin ja näytöllä näkyy „SET“.
- Yhden sekunnin kuluttua näkyy ensimmäinen käyttökelpoinen asetus (kirjain „h“).
- Selaa käytettävissä olevia asetuksia (katso alla oleva taulukko) painamalla **Automaattiset-ohjelmien** / **Lisä-valintojen** ; painamalla sitten **KÄYNNISTYS/Tauko** -painiketta voit katsoa parhaillaan valittuna olevan asetuksen arvon sekä muuttaa sitä.
- Vaihda arvo painamalla **Automaattiset-ohjelmien** / **Lisä-valintojen** ja tallenna uusi arvo sitten painamalla **KÄYNNISTYS/Tauko** -painiketta.
- Jos haluat muuttaa jotakin toista asetusta, toista kohdat 2 ja 5.
- Valikosta poistutaan painamalla **PÄÄLLÄ/POIS** -painiketta tai odotamalla 30 sekuntia.

KIRJAIN	ASETUS	ARVOT (Oletus - lihavoituna)
h	<b>Veden kovuustaso</b> (ks. "VEDEN KOVUUDEN ASETTAMINEN" ja "VEDEN KOVUUSTAULUKKO")	1   2   3   4   5
H	<b>Huuhtelukirkasteen taso</b> (ks. "HUUHTELUKIRKASTEEN ANNOSTELUN SÄÄTTÄMINEN")	0   1   2   3   4   5
D	<b>NaturalDry</b> (ks. "LISÄVALINNAT JA TOIMINNOT") "1" = päällä, "0" = pois	1   0
L	<b>Aika Lattialla</b> (ks. "LISÄVALINNAT JA TOIMINNOT") "1" = päällä, "0" = pois	1   0
A	<b>Ääni</b> "1" = päällä, "0" = pois	1   0
I	<b>Tehdasasetukset</b> Jos haluat palauttaa kaikki asetusvalikon asetusten arvot tehdasasetuksiin, paina <b>KÄYNNISTYS/TAUKO</b> -painiketta.	-

### SUOLASÄILIÖN TÄYTTÄMINEN

Suolan käyttäminen estää KALKKEUTUMIEN syntyä astioihin ja koneen toiminnan kannalta oleellisiin osiin. Suolasäiliö sijaitsee astianpesukoneen alaosaan (alakorin alla vasemmalla puolella).

- SUOLASÄILIÖ ei saa KOSKAAN OLLA TYHJÄ.**
- Veden kovuuden asettaminen on tärkeä seikka.
- Suolaa tulee lisätä kun **SUOLAN TÄYTÖ** -merkkivalo näyttöpaneelissa palaa.



- Poista alakori ja kierrä auki säiliön korkki (vastapäivään).
- Laita suppilo (ks. kuva) paikalleen ja täytä suolasäiliö ruunaan asti (noin 0,5 kg); vähäisen vesimäärän valuminen ulos ei ole epätavallista.
- Tee näin vain ensimmäisellä kerralla: täytä suolasäiliö vedellä.**
- Ota suppilo pois ja pyyhi aukolta kaikki suolajäänteet.

Varmista, että korkki on kierretty kiinni kunnolla, jotta säiliöön ei pääse pesuainetta pesuohjelman aikana (tämä seikka saattaisi vahingoittaa vedenpehmentintä korjaamattomalla tavalla).

Käynnistä aina jokin ohjelma heti kun olet täyttänyt suolasäiliön; näin estät korroosiota.

### Veden kovuuden asettaminen

Jotta vedenpehennin pystyy toimimaan asianmukaisesti, on asetettuna veden kovuuden vastattava ason veden todellista kovuutta. Tämä asia selviää paikalliselta vesilaitokselta. Tehdasasetus vastaa keskitasoista (3) veden kovuutta. Ks. „VEDEN KOVUUSTAULUKKO“.

Voit vaihtaa asetusta noudattamalla osion "VALIKON ASETTAMINEN" ohjeita.

Taso	°dH Saksalaiset asteet	°fH Ranskalaiset asteet	°Clark Englantilainen asteikko
1 (pehmeä)	0 - 6	0 - 10	0 - 7
2 (keskikova)	7 - 11	11 - 20	8 - 14
3 (puolikova)	12 - 16	21 - 29	15 - 20
4 (kova)	17 - 34	30 - 60	21 - 42
5 (hyvin kova)	35 - 50	61 - 90	43 - 62

Käytä ainoastaan erityisesti astianpesukoneille suunniteltua suolaa.

Kun suola on kaadettu koneeseen, SUOLAN TÄYTÖN merkkivalo sammuu. Jos suolasäiliötä ei täytetä, saattaa seurauksena olla vedenpehmentimen ja lämmitysvastuksen vahingoittuminen kalkkikeräytymien vuoksi. Suolaa on käytettävä kaikenlaisen astianpesukoneille tarkoitettujen pesuainetien kanssa.

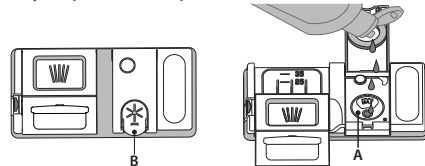
### VEDENPEHEMENNINJÄRJESTELMÄ

Vedenpehennin laskee automaattisesti veden kovuutta, mikä puolestaan vähentää kalkkisaostumien kerääntymistä lämmittimeen; tämä helpottaa myös puhdistamista. Tämä järjestelmä regeneroituu suolaa käyttäen, minkä vuoksi suolasäiliö on täytettävä sen tyhjentäessä. Regenerointitiheys riippuu veden kovuustason asetuksista - regenerointi tapahtuu kerran 4-6 Säästö-jaksoa kohden, kun veden kovuustasoksi on asetettu 3. Regenerointiprosessi suoritetaan jakson alussa ylimääräisellä puhtaalla vedellä.

- Yksittäisessä regeneroimisessa kuluu: ~3 litraa vettä
- Prosessiin kuluu noin 5 lisäminuuttia kyseisessä jaksossa;
- Prosessin energiankulutus on alle 0.005 kWh.

### HUUHTELUKIRKASTEÄILIÖN TÄYTTÄMINEN

Huuhtelukirkaste helpottaa astioiden KUIVAAMISTA. Huuhtelukirkastesäiliö A on täytettävä kun **HUUHTELUKIRKASTEEN TÄYTÖN** merkkivalo näyttöpaneelissa palaa.



- Avaa säiliö B painamalla ja vääntämällä kannen nupista.
- Lisää huuhtelukirkastetta varovaisesti täyttötilan maksimimerkkiin (110 ml) asti - älä laittaa ainetta. Jos näin käy, pyyhi vuotanut aine välittömästi pois kuivalla liinalla.

- Paina kantta alapäin kunnes kuulet sulkeutumisesta ilmoittavan napsahduksen. **ÄLÄ koskaan kaada huuhtelukirkastetta suoraan pesutilaan.**

## Huuhtelukirkasteen annostelun säätäminen

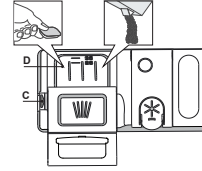
Jos et ole täysin tyytyväinen kuivaustulokseen, voit säätää käytetyn huuhtelukirkasteen määrää.

Voit vaihtaa asetusta noudattamalla osion "VALIKON ASETTAMINEN" ohjeita. Jos huuhtelukirkasteen tason arvoksi on asetettu NOLLA (SÄÄSTÖ), huuhtelukirkastetta ei annostella. **ALHAISESTA HUUHTELUKIRKASTEMÄÄRÄSTÄ** ilmoittava merkkivalo ei syty, jos huuhtelukirkaste loppuu.

- Astianpesukoneen mallista riippuen käytettävissä on korkeintaan **6** eritasoa.
- Jos astioissa näkyy sinertäviä raitoja, aseta arvoksi matala numero (0-3).
- Jos astioissa on vesipisaroita tai kalkkijäämiä aseta arvoksi korkea numero (4-5).

## PESUAINELOKERON TÄYTTÄMINEN

**Pesuainesäiliö avataan avauslaitteesta C. Laita pesuainetta ainoastaan kuivaan säiliöön D. Laita esipesuun tarkoitettu pesuainemäärä suoraan pesutilan sisään.**



1. Kun mittaat pesuainetta, katso sen oikea määrä aiemmin ilmoitetusta kohdasta. Lokeron **D** sisällä on pesuaineen annostelua helpottavat merkinnät.
2. Poista pesuainejäämät säiliön reunasta ennen kannen sulkemista ja sulje kansi; se napsahtaa kiinni.
3. Sulje pesuainesäiliön kansi vetämällä sitä ylöspäin, kunnes sulkulaite asettuu paikalleen.

Pesuainelokero avautuu automaattisesti oikeaan aikaan ohjelman mukaisesti. Jos käytetään all-in-one-pesuainetta, on suositeltavaa käyttää.

**Muiden kuin astianpesukoneille tarkoitettujen pesuaineen käyttäminen saattaa aiheuttaa laitteelle toimintahäiriöitä tai vahingoittaa sitä.**

## PÄIVITTÄINEN KÄYTTÖ

### 1. TARKASTA VESILIITÄNTÄ

Tarkasta, että astianpesukone on kytketty vesijohtoverkkoon ja että hana on auki.

### 2. KYTKE ASTIANPESUKONE PÄÄLLE

Avaa luukku ja paina **PÄÄLLÄ/POIS**-painiketta.

### 3. TÄYTÄ TELINEET (ks. KORIEEN TÄYTTÄMINEN).

### 4. PESUAINELOKERON TÄYTTÄMINEN

### 5. VALITSE OHJELMA JA TEE JAKSON LISÄVALINNAT

Valitse sopivin ohjelma astiatyyppiin ja sen likaisuusasteen mukaan (ks. **OHJELMIEN KUVAUS**) painamalla **OHJELMA**-painiketta. Tee halutut lisävalinnat (ks. **LISÄVALINNAT JA TOIMINNOT**). Kaikki lisävalinnat eivät sovi yhteen kaikkien ohjelmien kanssa.

### 6. KÄYNNISTÄ

Käynnistä pesujakso painamalla **KÄYNNISTYS/TAUKO**-painiketta (led syttyy) ja sulkemalla luukun 4 sekunnin sisällä. Kun ohjelma käynnistyy, kuuluu yksittäinen äänimerkki. Jos luukku ei suljettu 4 sekunnin sisällä, kuuluu hälytysääni. Avaa tässä tapauksessa luukku, paina **KÄYNNISTYS/TAUKO**-painiketta ja sulje luukku uudelleen 4 sekunnin sisällä.

### 7. PESUJAKSON PÄÄTTYMINEN

Pesujakson päättymisestä ilmoittaa äänimerkki ja näytöllä lukee **END** (LOPPU). Avaa luukku ja sammuta laite painamalla **PÄÄLLÄ/POIS**-painiketta. Odota muutama minuutti ennen kuin otat astiat pois; näin vältyt palovammoilta. Tyhjennä korit; aloita alakorista.

## KÄYNNISSÄ OLEVAN OHJELMAN MUUTTAMINEN

Jos on valittu väärä ohjelma, sen voi vaihtaa, jos se on vielä alussa. **NOLLAA** kone: paina ja pidä painettuna **PÄÄLLÄ/POIS**-painiketta yli 3 sekunnin ajan, jolloin kone sammuu. **Näytöllä näkyy "0:01"**. Sulje luukku ja odota kunnes tyhjennysjakso on päättynyt (noin 1 minuutti). Avaa luukku ja laita kone uudelleen päälle **PÄÄLLÄ/POIS**-painikkeesta (**VIRTA**) ja valitse uusi pesujakso sekä mahdolliset lisävalinnat. Käynnistä jakso painamalla **KÄYNNISTYS/TAUKO**-painiketta ja sulkemalla luukun 4 sekunnin sisällä.

## ASTIOIDEN LISÄÄMINEN

Älä sammuta konetta, vaan avaa luukku aluksi varoen, jotta vettä ei purskahtaisi ulos (**KÄYNNISTYS/TAUKO**-led alkaa vilkkua (**Varo! Kuumaa höyryä!**)) ja laita astiat astianpesukoneeseen. Paina **KÄYNNISTYS/TAUKO**-painiketta ja sulje luukku 4 sekunnin sisällä; jakso jatkuu siitä, mihin se keskeytettiin.

## VAHINGOSSA TAPAHTUVAT KESKEYTYKSET

Jos luukku avataan pesujakson aikana, tai sähkö katkeaa, jakso pysähtyy. **VAIN JOS PAINAT KÄYNNISTYS/TAUKO**-painiketta ja suljet luukun 4 sekunnin sisällä, jakso jatkuu siitä, mihin se keskeytettiin.

## NEUVOJA JA VIHJEITÄ

### NEUVOJA

Ennen korien täyttämistä poista astioista kaikki ruoantähteet ja tyhjennä lasit. **Huuhteleminen etukäteen juoksevilla vedellä ei ole tarpeen.**

Asettele astiat siten, että ne pysyvät tukevasti paikallaan eivätkä pääse kaatumaan; aseta kaikki säiliöastiat ylösalaisin, aukinainen sivu alaspäin, ja koverat/kuperat pinnat vinoon siten, että vesi pääsee kaikille pinnoille sekä virtaamaan vapaasti.

**Varoitus:** kannet, kahvat, pellit ja paistinpannut eivät saa estää suihkuvarsia pyörimästä.

Aseta kaikki pienet esineet ruokailuvälinekoriin.

Erittäin likaiset astiat ja pannut olisi sijoitettava alakoriin, sillä alhaalla vesisuihku tulee voimakkaampana ja parantaa siten pesutulosta.

Varmista laitteen täyttämisen jälkeen, että suihkuvarret pääsevät pyörimään vapaasti.

### SOPIMATTOMAT ASTIAT

- Puiset astiat ja ruokailuvälineet.
- Arat, koristellut lasit, taidelasi ja antiikkiastiat. Näiden koristelut eivät kestä konepesua.
- Synteettisistä materiaaleista valmistetut osat, jotka eivät kestä korkeita lämpötiloja.
- Kupari- ja tina-astiat.
- Tuhkaan, vahaan, voitelurasvaan tai musteeseen likaantuneet astiat.

Lasiin tehtyjen koristelujen värit sekä alumiiniset/hopeiset esineet saattavat haalistua tai muuttaa sävyjään pesuprosessin aikana. Eräät lasityypit (esim. kristalliesineet) saattavat myöskin muuttua himmeiksi useiden pesujaksojen pesujaksojen seurauksena.

### LASIEN JA ASTIOIDEN VAHINGOITTUMINEN

- Pese koneessa ainoastaan lasi- ja posliiniesineitä, joiden valmistaja takaa kestävän konepesua.
- Käytä astioille sopivaa hellävaraista pesuainetta, jotta lasihin ei tule valkoisia raitoja.
- Ota lasit ja ruokailuvälineet pois astianpesukoneesta heti kun pesujakso on loppunut.

## ENERGIANSÄÄSTÖVINKKEJÄ

- Kun kodin astianpesukonetta käytetään valmistajan ohjeiden mukaisesti, **astioiden pesemiseen astianpesukoneessa kuluu yleensä VÄHEMÄN ENERGIAA ja vettä kuin astioiden pesemiseen käsin.**
- Astianpesukoneen tehokkuuden maksimoimiseksi **on suositeltavaa käynnistää pesujakso kun astianpesukone on saatu täyteen.** Astianpesukoneen täyttäminen valmistajan ilmoittamaan täyttömäärään auttaa säästämään energiaa ja vettä. Tietoja astianpesukoneen asianmukaisesta täyttämisestä on annettu TELINEIDEN TÄYTTÄMINEN -luvussa. Jos konetta ei täytetä kokonaan, on suositeltavaa käyttää koneessa mahdollisesti olevia tähän tilanteeseen tarkoitettuja ohjelmia, (puolitäyttö/Zone Wash/ Multizone), täyttämällä ainoastaan valitut telineet. Jos astianpesukone täytetään väärin tai liian täyteen, seurauksena saattaa olla resurssien kulutuksen (esim. veden, energian ja ajan, sekä melutason) kasvaminen, sekä puhdistus- ja kuivaustulosten heikkeneminen.
- Astioiden esihuuhtelu käsin lisää veden ja energian kulutusta eikä ole suositeltavaa.

## DESINFIOINTI

Hajujen ja astianpesukoneen pesutilan pohjalle laskeutuvien kerääntymien estämiseksi **on vähintään kerran kuussa käytettävä kuuman lämpötilan ohjelmaa.** Käytä laitteen puhdistamiseen tässä yhteydessä teelusikallinen pesuainetta, ja anna sen käydä tyhjänä.

## PAKKASENKESTÄVYYS

Jos laite sijoitetaan tilaan, jossa lämpötila voi laskea pakkasen puolelle, **vesi on tyhjennettävä kokonaan.** Sulje vesihana, irrota vedenotto- ja tyhjennysletkut ja anna veden valua pois. **Varmista, että vedenpehmennin on täynnä liuennutta regenerointisuolaa suolasäiliössä,** sillä se suojaa laitetta -20 °C:een asti.

Jos laitetta on säilytetty pakkasolosuhteissa, sen tulee saada olla vähintään 5 °C:ssa **vähintään 24 tunnin** ajan ennen sen ensimmäistä käyttökertaa.

## OHJELMATAULUKKO

Ohjelma	Ohjelmien Kuvaus	Kuivausvaihe		Mahdolliset lisävalinnat *)	Pesujakson kesto (h:min)**)	Veden kulutus (l/jakso)	Energiankulutus (kWh/jakso)
		Natural	Dry				
<b>Eco</b>	<b>Säästö</b> 50° - Säästö-ohjelma soveltuu normaalisti likaisille ruokapöydässä käytetyille astioille. Se on sekä energian että veden käytön kannalta tehokkain ohjelma. Tätä ohjelmaa käytetään EU:n ekosuunnitellun vaatimustenmukaisuuden arviointiin.	✓	✓		3:30	9,5	0,76
	<b>Pika</b> 45° - Ohjelmaa suositellaan pienelle määrälle vain vähän likaisia astioita, joissa ei ole kuivuneita ruokajätteitä. Ohjelmaan ei kuulu kuivausvaihetta.	-	✓		0:30 - 0:40	10,0 - 12,0	0,55 - 0,65
	<b>Kristalli</b> 45° - Jakso on tarkoitettu aroille astioille, jotka ovat herkkiä korkeille lämpötiloille, kuten esimerkiksi lasit ja kupit.	✓	✓		1:40 - 1:50	12,5 - 16,5	0,95 - 1,20
	<b>Auto-Teho-Ohjelma</b> 65° - Automaattinen ohjelma erittäin likaisille astioille ja pannuille.	✓	✓		2:25 - 3:10	15,5 - 24,5	1,30 - 1,70
	<b>Auto-Sekaohjelma</b> 55° - Automaattinen ohjelma normaalisti likaisille astioille, joissa on kuivuneita ruokajätteitä.	✓	✓		1:20 - 3:00	7,5 - 19,5	0,75 - 1,20
	<b>Auto-Pikaohjelma</b> 50° - Automaattinen ohjelma normaalisti ja vain vähän likaisille astioille. Jokapäiväinen pesuohjelma, joka takaa parhaat mahdolliset pesu- ja kuivaukselliset lyhyemmässä ajassa.	✓	✓		1:00 - 1:50	7,5 - 15,5	0,70 - 1,10
	<b>Esipesu</b> - Myöhemmin pestävät astiat. Tämän ohjelman kanssa ei käytetä pesuainetta.	-	✓		0:12	4,5	0,10
	<b>Itsepuhdistus</b> 65° - Ohjelma, jota tulee käyttää astianpesukoneen huollon suorittamiseen, ainoastaan astianpesukoneen ollessa TYHJÄ, käyttäen astianpesukoneen huoltoon tarkoitettuja erityispuhdistusaineita.	-	-		1:15	11,0	1,10

SÄÄSTÖ-ohjelman tiedot on mitattu eurooppalaisen EN 60436:2020 -standardin mukaisissa laboratorio-olosuhteissa.

Huomautus testauslaitoksille: yksityiskohtaisten tietojen saamiseksi vertailevan EN testin ehdoista, lähetä pyyntö sähköpostiosoitteeseen:

dw\_test\_support@whirlpool.com

Astioiden esikäsittelyä ei tarvita ennen mitään näistä ohjelmista.

\*) Kaikkia lisävalintoja ei ole mahdollista käyttää samanaikaisesti.

\*\*) Muille kuin Säästö-ohjelmalle annetut arvot ovat ainoastaan suuntaa-antavia. Todellinen aika saattaa vaihdella eri tekijöiden mukaisesti. Näitä ovat muun muassa veden lämpötila ja sen tulopaine, huoneen lämpötila, pesuaineen määrä, astioiden määrä ja niiden tyyppi, kuorman tasapaino, valitut lisätoiminnot sekä anturin kalibrointi. Anturin kalibrointi saattaa lisätä ohjelman kestoa jopa 20 minuuttia.

## LISÄVALINNAT JA TOIMINNOT

Lisävalinnat voidaan valita/valinta voidaan poistaa ohjelman valitsemisen jälkeen painamalla suoraan vastaavaa painiketta (jos käytettävissä – merkivalo syttyy) (ks. KÄYTTÖPANEELI). Jos jokin lisävalinta ei ole yhteensopiva valitun ohjelman kanssa ks. OHJELMATAULUKKO, vastaava LED-merkkivalo vilkkuu nopeasti 3 kertaa ja kuuluu äänimerkki. Lisävalintaa ei voida käyttää. Lisävalinta voi muuttaa ohjelman kestoa tai veden tai energian kulutusta.

**PUOLITÄYTTÖ** - Jos pestäviä astioita on vain vähän, voidaan käyttää PUOLITÄYTTÖ-toimintoa veden, sähkön tai ajan säästämiseksi valitusta ohjelmasta riippuen. **Muista vähentää pesuaineen määrää.**

**HILJAINEN** - Soveltuu laitteen yöaikaiseen käyttöön. Tätä lisävalintaa voidaan käyttää pesuvaiheiden aikaisen melun vähentämiseen. Se pidentää jakson kestoa jakson perusvalinnoista riippuen.

**DESINFIOIVA HUUHTELU** - Tällä valinnalla desinfioidaan pestyt astiat. Se nostaa loppuhuuhTELUN lämpötilaa ja lisää antibakteerisen pesun valittuun ohjelmaan. Ihanteellinen astioiden ja tuppullojen puhdistamiseen. Astianpesukoneen luukun täytyy olla suljettuna koko ohjelman ajan, jotta mikro-organismien hävittäminen onnistuu mahdollisimman tehokkaasti. **VAROITUS: astiat saattavat olla erittäin kuumia jakson lopussa.**

**POWER CLEAN®** - Tämän toiminnon lisävesisuihkut parantavat ja lisäävät pesutehoa alakorin tietyllä alueella. Toimintoa suositellaan käytettäväksi pannujen ja kattiloiden pesuun (Katso kohdasta Power Clean®).

**ERITTÄIN KUIVA** - Korkeampi lämpötila loppuhuuhTELUN aikana sekä pidennetty kuivausvaihe parantavat kuivaustulosta. ERITTÄIN KUIVA -lisävalinta pidentää pesujaksoa.

**AJASTUS** - Ohjelman käynnistymistä voidaan ajastaa alkamaan myöhempänä ajankohtana, **30 minuutin – 24 tunnin** kuluttua.

1. Valitse ohjelma ja mahdollisesti halutut valinnat. Paina AJASTUS-painiketta (toistamiseen), jos haluat siirtää ohjelman alkamisen myöhemmäksi. Viiveeksi voidaan valita 0,5–24 tuntia. Kun 24 tunnin asetusta on saavutettu, painamalla AJASTUSTA vielä kerran AJASTUS-toiminto otetaan pois päältä.
2. Paina KÄYNNISTYS/TAUKO-painiketta ja sulje luukku 4 sekunnin sisällä.
3. Kun tämä aika on kulunut loppuun, merkkivalo sammuu ja ohjelma alkaa automaattisesti.

**AJASTUS-toimintoa ei voida asettaa sen jälkeen kun ohjelma on alkanut.**

**VESIHANNA KIINNI - Hälytys** - Vilkkuu, jos laitteeseen ei tule vettä tai jos vesihana on kiinni.

**AIKA LATTIALLA** - Lattialle heijastettu LED-valo ilmoittaa jakson loppumiseen kuluvan ajan. Valo sammuu aina kun luukku avataan. Valo sammuu jakson lopussa. Tämä ominaisuus on aktiivisena oletusasetusten mukaisesti, mutta se voidaan deaktivoida "VALIKON ASETTAMINEN" -valikosta.

**KALKINPOISTO - Hälytys** - Laitteen sisäosiin on havaittu kerääntyneen kalkkisaostumia. Tarkasta onko **Veden kovuuden asettaminen** oikeassa arvossa ja varmista, että suolasäiliössä on **suolaa** (katso tarkemmat tiedot ENSIMMÄINEN KÄYTTÖKERTA), käytä **sitten kalkinpoistotuotetta** (suosittelemme WPro-merkkiä) **Itsepuhdistusohjelman** kanssa. Onnistuneen kalkinpoiston jälkeen kuvake ei enää ole näkyvässä. Jos yllä ilmoitettuja toimenpiteitä ei suoriteta, tuotteen suorituskyky laskee. «Kalkinpoisto»-varoitusta alkaa vilkkua ja näytölle tulee «dES»-hälytys. Jos mihinkään toimenpiteisiin ei vielä ryhdytä, laitteella voidaan suorittaa enää vain muutamia jaksoja (näkyvä «dES»-hälytyksen näytön aikana), minkä jälkeen käyttö **ei ole enää mahdollista** komponenttien vahingoittumisen ehkäisemiseksi ja **ainoastaan Itsepuhdistusohjelman käyttäminen on mahdollista**. Kalkinpoistotoiminnon suorittaminen kokonaisuudessaan poistaa laitteen lukituksen. Jos kalkkisaostumia on runsaasti, saattaa olla tarpeen suorittaa kaksi kalkinpoistojaksoa tarvittavan tehon saavuttamiseksi.

**NaturalDry** - Konvektioon perustuva kuivausjärjestelmä, jossa luukku avautuu automaattisesti kuivausvaiheen aikana/jälkeen erinomaisen kuivaustuloksen takaamiseksi päivittäin. Luukku avautuu keittiökalusteille turvallisessa lämpötilassa. Luukku ei siis avaudu silloin kun DESINFIOIVA HUUHTELU on käynnissä. Astianpesukoneeseen on lisäsuojaksi höyryltä lisätty erityisesti tähän suunniteltu suojakalvo. Suojakalvon asentamisesta on kerrottu ASENNU SOPPAASSA. Tämä ominaisuus on aktiivisena oletusasetusten mukaisesti, mutta se voidaan poistaa käytöstä "VALIKON ASETTAMINEN".

**LIKAISSUUSANTURI** - Kun anturi tunnistaa astioiden likaisuutta, näytössä näkyy animaatio (n. 20 minuuttia) ja kone päivittää ohjelman keston. Sensing-toiminto tunnistaa astioiden likaisuustason, se kuuluu kaikkiin jaksoihin Säästöohjelmaa lukuun ottamatta ja se säätää ohjelman saatujen tietojen perusteella.

## KORIEIN TÄYTTÄMINEN

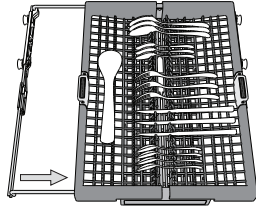
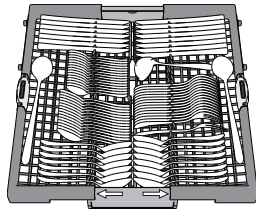
Kapasiteetti: 15 hengen tavallinen astiasto

### RUOKAILUVÄLINEKORI

Kolmas kori on suunniteltu ruokailuvälineille. Aseta ruokailuvälineet kuvassa näytetyllä tavalla.

Jos ruokailuvälineet sijoitetaan erilleen, on niiden kerääminen pesun jälkeen helpompaa; myös pesu- ja kuivaustulokset ovat paremmat.

**Veitset ja muut teräväreunaiset keittiövälineet on sijoitettava siten, että terät osoittavat alaspäin.**



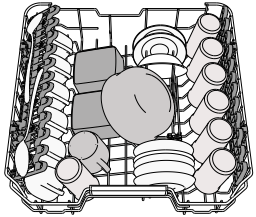
Ruokailuvälinekori on varustettu kahdella liukuvalla sivutasolla; näin saadaan alatilaa korkeus hyödynnettyä mahdollisimman hyvin ja yläkoriin pystytään sijoittamaan korkeita astioita.

### YLÄKORI

Aseta koriin arat ja kevyet astiat: lasit, kupit, teevadit, matalat salaattikulhot.

Yläkorissa on pystyyn nostettavia tukia, joita voidaan pystyasennossa käyttää tee-/jälkiruokalautasten järjestelyyn tai ala-asennossa kulhojen ja säilytysastioiden sijoitteluun.

(yläkorian täyttöesimerkki)



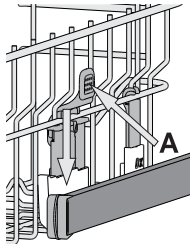
### Yläkorin korkeuden säätäminen

Yläkorin korkeutta voidaan säätää: korkea asento on tarpeen silloin, kun alakoriin laitetaan kookkaita astioita; ja matala asento silloin, kun halutaan lisätilaa ylös hyödyntämällä pystyyn nostettavia tukia, samalla estäen törmäyksiä alakorissa olevien astioiden kanssa.

Yläkori on varustettu **yläkorian korkeussäätimellä** (ks. kuva), nosta sitä yksinkertaisesti ylöspäin korin sivuista pitäen ja vipuja painamatta heti kun kori on tukevasti yläasennossaan.

Ala-asento palautetaan painamalla korin sivuissa olevia vipuja **A** ja siirtämällä sitten itse korin alaspäin. **Korin korkeutta ei saa säätää sen ollessa täytettynä.**

**Älä KOSKAAN nosta tai laske koria vain toiselta sivulta.**

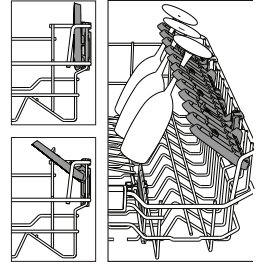


### Taivutettavien läppien säädettävät asennot

Sivuläpät voidaan taivuttaa kiinni tai auki siten, että astiat voidaan asettaa koriin paremmin. Viinilasit voidaan sijoittaa turvallisesti taivutettaviin läppiin asettamalla kunkin lasin varren niille tarkoitettuihin aukkoihin.

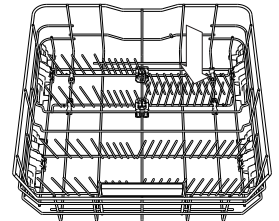
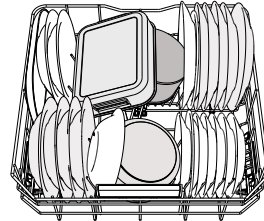
Mallista riippuen:

- läpät taivutetaan auki liu'uttamalla sitä ylöspäin ja kiertämällä tai vapauttamalla sen kiinnikkeistä ja vetämällä alaspäin.
- läpät taivutetaan kiinni kiertämällä sitä ja liu'uttamalla läpät alas tai vetämällä se ylöspäin ja kiinnittämällä läpät kiinnikkeisiin.



### ALAKORI

Padoille, kansille, lautasille, salaattikulhoille, aterimille, veitsille ja vastaaville. Suuret lautaset ja kannet on hyvä sijoittaa sivuille, jotta ne eivät häiritse suihkuvarren toimintaa. Alakorissa on pystyyn nostettavia tukia, joita voidaan pystyasennossa käyttää lautojen järjestelyyn tai vaakasennossa (ala-asento) pannujen ja salaattikulhojen sijoittelun helpottamiseen.



(alakorin täyttöesimerkki)

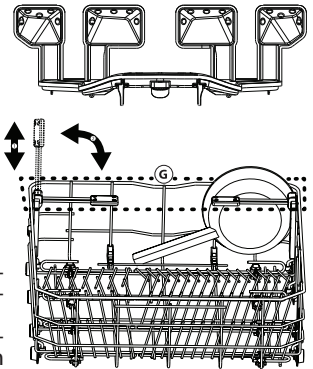
### POWER CLEAN®

Power Clean® pesee erittäin likaiset astiat tehokkaasti laitteen takaosassa olevien erikoissuihkujen avulla. Alakorissa on nk. Space Zone, erityinen esiinvedettävä tuki korin takaosassa, jota voidaan käyttää paistinpannujen ja leivinpeltien tukemiseen pystyasennossa, jolloin ne tarvitsevat vähemmän tilaa.

Aseta pannut/kattilat Power Clean® -komponenttia kohden ja käynnistä paneelista POWER CLEAN®.

Power Clean® käyttö:

1. Valmistele Power Clean® -alue (G) taittamalla takana olevat lautastelineet alas kattiloiden sijoittamista varten.
2. Sijoita pannut ja kattilat Power Clean® -alueelle pystyyn hieman kallelleen. Pannujen täytyy olla kallellaan vesisuihkuihin päin.



## PUHDISTUS JA HUOLTO

### SIHTIRYHMÄN PUHDISTAMINEN

Puhdista sihtiryhmä säännöllisesti, jotta sihdit eivät tukkiudu ja jotta jätevesi pääsee virtaamaan pois asianmukaisella tavalla.

Astianpesukoneen käyttäminen suodattimien ollessa tukossa tai jos suodatusjärjestelmässä tai suihkuvarissa on jotain asiaankuulumatonta saattaa aiheuttaa toimintahäiriöitä, tehokkuuden laskua, meluisuutta tai resurssien kulutuksen nousua.

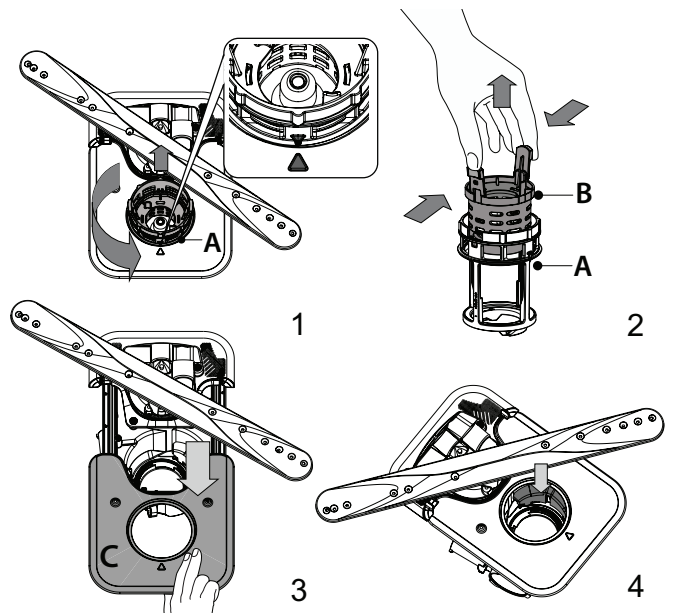
Sihtiryhmään kuuluu kolme sihtiä, jotka poistavat pesuvedestä ruoan jätteitä ja kierrättävät sitten vettä uudelleen. Ne on puhdistettava, jos jokaisella pesukerralla halutaan parhaat pesutulokset.

**Astianpesukonetta ei saa käyttää ilman sihtejä tai jos sihti on löysä.**

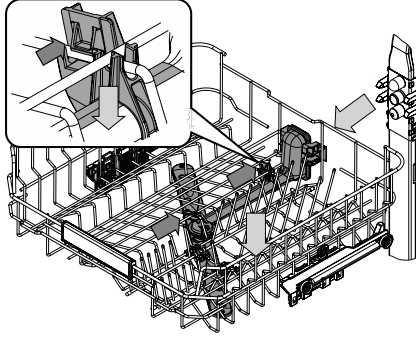
Vähintään kerran kuussa tai aina 30 pesujakson jälkeen on tarkastettava sihtiryhmä; puhdista se tarpeen vaatiessa huolellisesti juoksevalla vedellä, ei-metallista harjaa käyttäen ja seuraavien ohjeiden mukaisesti:

1. Käänä sylinterimäinen sihti **A** vastapäivään ja vedä se ulos (Kuvio 1). **Kun suodatinta asennetaan takaisin paikalleen, on tärkeää toimia siten, että zoomauksessa näytetyt kaksi kolmiota kohtaavat.**
2. Irrota kuppimainen sihti **B** painamalla hiukan sivuläpistä (Kuvio 2).
3. Liu'uta ruostumattomasta teräksestä valmistettu levysihti **C** ulos. (Kuvio 3).
4. Jos löydät asiaankuulumattomia kappaleita (esim. rikkoutunutta lasia, posliinia, luita, hedelmän siemeniä), **poista ne huolellisesti.**
5. Tarkasta lokero ja poista kaikki ruokajätteet. **ÄLÄ KOSKAAN POISTA** pesujakson pumpun suojusta (näytetty nuolella) (Kuvio 4).

Sihtien puhdistamisen jälkeen aseta sihtiryhmä uudelleen paikalleen ja kiinnitä se oikein; tämä on oleellisen tärkeää astianpesukoneen toimintatehon säilyttämiseksi.

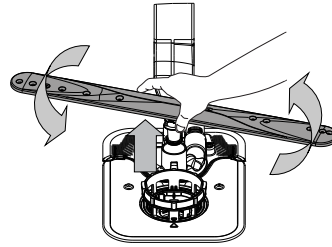


SUIHKUVARSIEN PUHDISTAMINEN

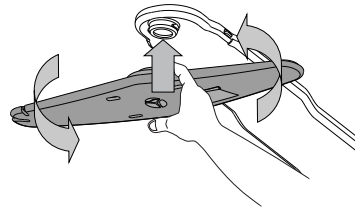


Toisinaan ruokajätteitä saattaa tarttua suihkuvarsiin tukkien reiät, joista vettä suihkuu. Tämän vuoksi on suositeltavaa tarkastaa varret ajoittain ja puhdistaa ne pienellä ei-metallisella harjalla.

Yläsuihku on poistettava yhdessä jakoputken kanssa.



Alempi suihkuvarsi voidaan poistaa vetämällä sitä ylöspäin ja kiertämällä sitä vastapäivään. Suihkuvarsi asennetaan takaisin vetämällä sitä alaspäin ja kiertämällä myötäpäivään.



Ylempi suihkuvarsi voidaan poistaa painamalla sitä ylös ja kiertämällä sitten sitä vastapäivään. Suihkuvarsi asennetaan takaisin vetämällä sitä ylöspäin ja kiertämällä myötäpäivään.

VIANETSINTÄ

Jos astianpesukoneesi ei toimi oikein, tarkasta pystytkö ratkaisemaan ongelman itse käymällä läpi seuraavan luettelon kohdat. Jos kyseessä on jokin muu virhe tai ongelma, ota yhteyttä valtuutettuun huoltopalveluun; yhteystiedot on ilmoitettu takuukirjasessa. Varaosia on saatavana joko 7 tai 10 vuoden ajan, noudatettavan asetuksen vaatimusten mukaisesti.

ONGELMAT	MAHDOLLISET SYYT	RATKAISUT
Suolamäärän merkkivalo palaa.	Suolasäiliö on melkein tyhjä.	Lisää säiliöön suolaa (lisätietoja – katso <i>SUOLASÄILIÖN TÄYTTÄMINEN</i> ). Tarkasta veden kovuusasetus tarvittaessa – ks. taulukko, <i>VEDEN KOVUUSTAULUKKO</i> .
Suolamäärän merkkivalo vilkkuu.	Suolasäiliö on tyhjä.	Täytä suolasäiliö mahdollisimman pian. Laitteen käyttäminen ilman suolaa saattaa vahingoittaa sen sisäkomponentteja.
Huuhtelukirkasteen merkkivalo palaa tai vilkkuu.	Huuhtelukirkastesäiliö on tyhjä. (Täytön jälkeen huuhtelukirkasteen merkkivalo voi jäädä palamaan lyhyeksi aikaa).	Lisää säiliöön huuhtelukirkastetta (lisätietoja – katso <i>HUUHTELUKIRKASTESÄILIÖN TÄYTTÄMINEN</i> ).
Kalkinpoiston merkkivalo palaa tai vilkkuu; „dES“-hälytys näkyy.	Laitteen sisäkomponentteihin on kerääntymässä kalkkikerääntymiä.	Suorita laitteen kalkinpoisto välittömästi Itsepuhdistusohjelmalla ja yleisesti kaupan olevalla kalkinpoistotuotteella (ks. <i>LISÄVALINNAT JA TOIMINNOT</i> ). Täytä suolasäiliö. Tarkasta veden kovuusasetus. Jos laitteelle ei suoriteta kalkinpoistoa, se lakkaa toimimasta.
Astianpesukone ei käynnisty tai ei vastaa ohjaustoimiin.	Laitetta ei ole kytketty kunnolla virtaan.	Laita pistoke pistorasiaan.
	Sähkökatko.	Turvallisuussyistä astianpesukone ei käynnisty automaattisesti sähkön palattua. Avaa astianpesukoneen luukku, paina KÄYNNISTYS/TAUKO-painiketta ja sulje luukku uudelleen 4 sekunnin sisällä.
	Astianpesukoneen luukku ei ole kiinni. NaturalDry-tappia ei ole vedetty sisään.	Työnnä luukkuu päättäväisesti kunnes kuulet sen napsahtavan.
	Jakso keskeytyy, jos luukku avataan yli 4 sekunniksi.	Paina KÄYNNISTYS/TAUKO-painiketta ja sulje luukku 4 sekunnin kuluessa.
	Käyttöpaneeli ei vastaa toimenpiteisiin tai sillä näkyy <b>F6 E1</b> .	Sammuta laite painamalla PÄÄLLÄ/POIS/NOLLAUS-painiketta, laita se uudelleen päälle noin minuutin kuluttua ja käynnistä ohjelma uudelleen. Jos ongelma ei ratkea, irrota laitteen kytkentä 1 minuutin ajaksi ja kytke se sitten uudelleen.
Astianpesukone ei tyhjennä vettä. Näytössä näkyy: <b>F7 E3</b> tai <b>F9 E1</b>	Sihti on tukossa ruoan jätteistä tai kalkkikerääntymistä.	Puhdista sihti ja suorita laitteen kalkinpoisto (ks. <i>SUIHKUVARSIEN PUHDISTAMINEN</i> ja <i>KALKINPOISTO-OHJEET</i> ).
	Tyhjennysletku on mutkalla.	Tarkasta tyhjennysletku (ks. <i>ASENNUSOHJEET</i> ).
	Tyhjennysputki viemäriin on tukossa.	Puhdista viemäriin johtava tyhjennysputki.
Astianpesukoneesta tulee liikaa ääntä.	Astiat kolisevat toisiaan vasten.	Aseta astiat koneeseen oikein (ks. <i>KORIEN TÄYTTÄMINEN</i> ).
	On muodostunut liikaa vaahtoa.	Pesuainetta ei ole annosteltu oikein tai se ei sovellu käytettäväksi astianpesukoneissa (ks. <i>PESU-AINELOKERON TÄYTTÄMINEN</i> ). Käynnistä nykyinen jakso uudelleen sammuttamalla astianpesukone ja käynnistämällä se sitten uudelleen; valitse sitten uusi ohjelma, paina KÄYNNISTYS/TAUKO ja sulje luukku 4 sekunnin sisällä. Älä lisää pesuainetta.
	Astioita ei ole sijoitettu koneeseen oikein.	Sijoita astiat koneeseen oikein (ks. <i>KORIEN TÄYTTÄMINEN</i> ).
	Sihti on tukossa ruoan jätteistä tai kalkkikerääntymistä.	Puhdista sihtiryhmä (ks. <i>PUHDISTUS JA HUOLTO</i> ).
Astiat eivät ole puhtaita.	Astioita ei ole sijoitettu koneeseen oikein.	Sijoita astiat koneeseen oikein (ks. <i>KORIEN TÄYTTÄMINEN</i> ).
	Suihkuvarret eivät pääse pyörimään vapaasti, sillä astiat estävät liikettä.	Sijoita astiat koneeseen oikein (ks. <i>KORIEN TÄYTTÄMINEN</i> ). Varmista, että yläkori on oikeassa asennossa ja säädä sitä (nostamalla) tarvittaessa.
	Pesujakso on liian hellävarainen.	Valitse sopiva pesujakso (ks. <i>OHJELMATAULUKKO</i> ).
	On muodostunut liikaa vaahtoa.	Pesuainetta ei ole annosteltu oikein tai se ei sovellu käytettäväksi astianpesukoneissa (ks. <i>PESU-AINELOKERON TÄYTTÄMINEN</i> ).
	Huuhtelukirkastelokeron korkkia ei ole suljettu kunnolla.	Varmista, että huuhtelukirkastesäiliön korkki on suljettu.
	Sihti on tukossa ruoan jätteistä tai kalkkikerääntymistä.	Puhdista sihti ja suorita laitteen kalkinpoisto (ks. <i>SIHTIRYHMÄN PUHDISTAMINEN</i> ).
	Suolasäiliö on tyhjä.	Täytä suolasäiliö (ks. <i>SUOLASÄILIÖN TÄYTTÄMINEN</i> ).

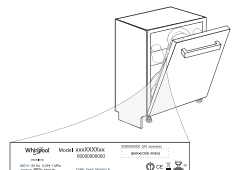
ONGELMAT	MAHDOLLISET SYYT	RATKAISUT
Astianpesukone ei ota vettä. Näytössä näkyy: <b>H20</b> ja <b>Ø</b> se palaa; kuuluu äänimerkki.	Vesijohdossa ei ole vettä tai hana on suljettu.	Varmista, että vesijohdossa on vettä ja että vesihana on auki.
	Veden ottoletku on mutkalla.	Tarkasta ottoletku (ks. <i>ASENNUS</i> ). Avaa astianpesukoneen luukku, paina KÄYNNISTYS/TAUKO-painiketta ja sulje luukku uudelleen 4 sekunnin sisällä.
	Vedenottoletkun suojavaikko on tukossa; se on puhdistettava.	Tarkasta veden ottoletkun suojuus ja puhdista se. Avaa astianpesukoneen luukku, paina KÄYNNISTYS/TAUKO-painiketta ja sulje luukku uudelleen 4 sekunnin sisällä.
Astianpesukone päättää jakson ennenaikaisesti. Näytössä näkyy: <b>F8 E3</b>	Sihti on tukossa ruoan jätteistä tai kalkkikerääntymistä.	Puhdista sihti ja suorita laitteen kalkinpoisto (ks. <i>SIHTIRYHMÄN PUHDISTAMINEN ja KALKINPOISTO-OHJEET</i> ).
	Tyhjennysletku on liian alhaalla tai lappo viemäriin ei toimi oikein.	Tarkasta onko tyhjennysletkun pää sijoitettu oikealle korkeudelle (ks. <i>ASENNUS</i> ). Tarkasta lappaus kodin viemäriin ja tarvittaessa asenna lappoon katkaisin/lappoventtiili.
	On muodostunut liikaa vaahtoa.	Pesuainetta ei ole annosteltu oikein tai se ei sovellu käytettäväksi astianpesukoneissa (ks. <i>PESU-AINELOKERON TÄYTTÄMINEN</i> ).
	Ilmaa vedensyötössä.	Tarkasta, onko vedentuloletkussa vuotoja tai pääseekö ilmaa sisään muista syistä.
Astiat eivät ole kuivuneet kunnolla.	Huuhtelukirkastetta ei ole tai sitä on annosteltu liian vähän.	Varmista, että huuhtelukirkastesäiliö on täytetty (ks. <i>HUUHTELUKIRKASTESÄILIÖN TÄYTTÄMINEN</i> ). Monitoimitabletit yksinään eivät anna yhtä hyviä kuivaustuloksia kuin nestemäisen huuhtelukirkasteen käyttäminen.
	Astiat on poistettu luukun automaattisen aukeamisen jälkeen, mutta ennen jakson varsinaista loppumista.	Varmista, että jakso on päättynyt ennen kuin ryhdyt poistamaan astioita (ks. <i>PÄIVITTÄINEN KÄYTTÖ</i> ). Parempia kuivaustuloksia varten astiat on suositeltavaa jättää astianpesukoneeseen sen luukun ollessa auki vielä 15 minuutiksi jakson loppumisen jälkeen.
	Astioita ei ole laitettu tarpeeksi pystyyn.	Jos huomaat kuppien, mukien tai kulhojen sisään jäävän vettä, yritä asettaa astiat (etenkin yläkorissa) siten, että ne tulevat kaltevammin, jotta enemmän vettä pääsee valumaan pois ennen kuivauksen alkamista.
	Valitussa ohjelmassa ei ole kuivausvaihetta.	Tarkasta <i>OHJELMATAULUKKO</i> , kuuluuko valittuun ohjelmaan kuivausvaihe. Ohjelma, jossa ei ole kuivausvaihetta, ei anna haluttua kuivaustehoa, minkä vuoksi on suositeltavaa vaihtaa jaksoksi sellainen, johon kuuluu kuivausvaihe.
	Astiat on valmistettu teflonista tai muovista.	Vesipisaroiden jääminen näiden materiaalien pinnalle on normaalia.
Lautasissa ja laseissa on sinisiä raitoja tai sinertävä sävy.	Huuhtelukirkastetta on annosteltu liikaa.	Laske annostelua.
Astioissa ja laseissa on kalkkikerääntymiä tai niissä on valkeahko kalvo.	Suolasäiliö on tyhjä.	Täytä suolasäiliö mahdollisimman pian. Laitteen käyttäminen ilman suolaa saattaa vahingoittaa sen sisäkomponentteja.
	Veden kovuusasetus on liian alhainen.	Nosta asetusta (ks. <i>VEDEN KOVUUSTAULUKKO</i> ).
	Suolasäiliön korkkia ei ole suljettu oikein.	Tarkasta suolasäiliön korkki ja sulje se.
	Huuhtelukirkastesäiliö on tyhjä tai huuhtelukirkasteen annostelu on riittämätöntä.	Lisää säiliöön huuhtelukirkastetta ja tarkasta annostelun asetus (lisätietoja - ks. <i>HUUHTELUKIRKASTESÄILIÖN TÄYTTÄMINEN</i> ).
Astianpesukoneessa näkyy <b>F8 E5</b>	Venttiili on lukkiutunut tai viallinen.	Sulje vesihana, jos mahdollista. Älä katkaise virtaa. Ota yhteyttä huoltoon.



### Yhtiön säännöt, vakiidokumentaatio, varaosien tilaaminen sekä tuotetta koskevat lisätiedot ovat saatavissa osoitteesta:

- Käyttämällä QR-koodia ja verkkosivustolta [docs.whirlpool.eu](https://docs.whirlpool.eu)
- Verkkosivustolta: [parts-selfservice.whirlpool.com](https://parts-selfservice.whirlpool.com)
- Vaihtoehtoisesti **ottamalla yhteyttä huoltopalveluumme** (katso puhelinnumero takuuvihkosesta). Kun otat yhteyttä huoltopalveluun, ilmoita tuotteen tunnistekilvessä olevat koodit.

Mallia koskevat tiedot on saatavilla energiamerkinnän QR-koodia käyttäen. Merkinnässä on myös mallin tunniste, jota voidaan käyttää tuotetietokantaan tutustumista varten osoitteessa <https://eprel.ec.europa.eu>.







**MERCI D'AVOIR CHOISI UN PRODUIT WHIRLPOOL.**  
Afin de recevoir une assistance plus complète, merci d'enregistrer votre appareil sur : [www.whirlpool.eu/register](http://www.whirlpool.eu/register)

**Avant d'utiliser l'appareil, il convient de lire attentivement les consignes de sécurité et d'installation. Pour en savoir plus concernant votre produit, consulter le site Internet : [docs.whirlpool.eu](http://docs.whirlpool.eu)**

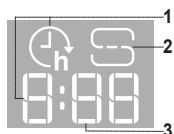
**Après l'installation, rappelez-vous d'enlever toutes les pièces de protection pour le transport du lave-vaisselle.**

## PANNEAU DE COMMANDE



1. Touche et voyant **MARCHE-ARRÊT/Réinitialisation**
2. Touche et voyant de **programme Éco**
3. Touche et voyant de **programme Rapide/ programme Prélavage** - pression de 3 secondes
4. Touche et voyant de **programme Cristal/ programme Autonettoyant** - pression de 3 secondes
5. Touches de **programme Auto** avec témoins - **Auto Intensif 65° / Auto Mixte 55° / Auto Rapide 50°**
6. Témoin de réservoir **de sel vide**
7. Témoin de réservoir **de liquide de rinçage vide**
8. **Écran**
9. Indicateur **de numéro de programme et de temps restant**
10. Voyant **Robinet d'eau fermé**
11. Témoin **DÉTARTRAGE**
12. Touche **d'Options** (supplémentaires) avec témoins - **Demi-charge / Silencieux / Rinçage Antibactérien**
13. Touche et voyant de **l'option Power Clean®**
14. Touche et voyant **d'option Extra Sec / Réglages** - pression de 3 secondes
15. Touche et voyant **d'option Départ Différé**
16. Touche et voyant **DÉPART/Pause**

## AFFICHAGE AU SOL



1. **Départ différé** - lorsque l'option départ différé est activée, un compte à rebours est visible au sol jusqu'au démarrage du cycle
2. **Réservoir de sel vide** - témoin au sol
3. **Temps restant au sol** - indicateur du temps restant jusqu'à la fin du cycle

## PREMIÈRE UTILISATION

### MENU DE RÉGLAGE

1. Allumer l'appareil en appuyant sur la touche **MARCHE-ARRÊT** (⏻).
2. Maintenir la touche **Réglages** (⚙️) (Extra Sec ())) pendant 3 secondes jusqu'à ce que vous entendiez un bip et que l'écran affiche « **SET** ».
3. Après une seconde, le premier réglage disponible (lettre « **h** ») s'affichera.
4. Appuyer sur **programmes Auto** (⏻) / **d'Options Extra** (⏻) pour faire défiler la liste des réglages disponibles (voir tableau ci-dessous), puis appuyer sur **DÉPART/Pause** (⏻) pour visualiser la valeur du réglage actuellement sélectionné.
5. Appuyer sur **programmes Auto** (⏻) / **d'Options Extra** (⏻) pour modifier la valeur, puis appuyer sur **DÉPART/Pause** (⏻) pour enregistrer la nouvelle valeur.
6. Pour changer un autre réglage, répéter les points 2 à 5.
7. Appuyer sur **MARCHE-ARRÊT** (⏻), ou attendre 30 secondes pour quitter le menu.

LETTRE	RÉGLAGE	VALEURS (Par défaut - en gras)
h	<b>Niveau de dureté de l'eau</b> (voir « RÉGLER LA DURETÉ DE L'EAU » et « TABLEAU DE DURETÉ DE L'EAU »)	1   2   <b>3</b>   4   5
l	<b>Niveau de liquide de rinçage</b> (voir « AJUSTER LE DOSAGE DU LIQUIDE DE RINÇAGE »)	0   1   2   3   4   5
o	<b>NaturalDry</b> (voir « OPTIONS ET FONCTIONS ») "1" = Oui, "0" = Non	1   0
t	<b>Temps restant au sol</b> (voir « OPTIONS ET FONCTIONS ») "1" = Oui, "0" = Non	1   0
s	<b>Sonnerie</b> "1" = Oui, "0" = Non	1   0
r	<b>Réglages d'usine</b> Appuyer sur <b>DÉPART/Pause</b> pour rétablir aux réglages par défaut d'usine toutes les valeurs des réglages incluses dans le menu Réglages.	-

### REMPLIR LE RÉSERVOIR DE SEL RÉGÉNÉRANT

L'utilisation de sel régénérant empêche la formation de CALCAIRE sur la vaisselle et sur les composantes fonctionnelles de l'appareil. Le réservoir de sel est situé dans la partie inférieure du lave-vaisselle (sous le panier inférieur sur le côté gauche).

- Le réservoir de sel **ne doit jamais être vide**.
- Il est important de régler la dureté de l'eau.
- Il convient de faire l'appoint de sel lorsque le voyant **REPLISSAGE SEL** est allumé sur le panneau de commande.



1. Enlevez le panier inférieur et dévissez le bouchon du réservoir (sens antihoraire).
2. Placez l'entonnoir (voir figure) et remplissez le réservoir de sel jusqu'au bord (environ 0,5 kg); il est normal qu'un peu d'eau déborde.
3. **La première fois uniquement, vous devez effectuer l'opération suivante: remplissez d'eau le réservoir à sel.**

4. Enlevez l'entonnoir et essuyez les résidus de sel autour de l'ouverture. Assurez-vous que le bouchon est bien serré pour éviter que du détergent pénètre dans le réservoir durant le cycle de lavage (le réservoir pourrait s'endommager au point de ne plus être réparable).

**Exécuter un programme dès que vous complétez le remplissage du réservoir de sel afin d'éviter la corrosion.**

### Régler la dureté de l'eau

Pour que l'adoucisseur d'eau fonctionne à la perfection, il est important de régler la dureté de l'eau aux conditions existantes dans votre lieu de résidence. Cette information peut être obtenue de votre fournisseur d'eau local. L'usine règle la valeur par défaut de la dureté de l'eau. Le réglage d'usine est de « **3** ». Voir « **TABLEAU DE DURETÉ DE L'EAU** ».

Niveau	°dH Degrés allemand	°fH Degrés français	°Clark Degrés anglais
1 (très douce)	0 - 6	0 - 10	0 - 7
2 (moyenne)	7 - 11	11 - 20	8 - 14
3 (douce)	12 - 16	21 - 29	15 - 20
4 (dure)	17 - 34	30 - 60	21 - 42
5 (très dure)	35 - 50	61 - 90	43 - 62

Pour changer, suivez les instructions de la section « MENU DE RÉGLAGE ». **Utilisez seulement le sel spécialement conçu pour les lave-vaisselle.** Lorsque le sel est versé dans l'appareil, le voyant **AJOUTER DU SEL** s'éteint. **Si le contenant de sel n'est pas rempli, l'adoucisseur et l'élément chauffant peuvent être endommagés à cause de l'accumulation de calcaire. L'utilisation de sel est recommandée avec n'importe quel type de lessive pour lave-vaisselle.**

### SYSTÈME ADOUCISSEUR D'EAU

L'adoucisseur d'eau réduit automatiquement la dureté de l'eau, en empêchant ainsi la formation de calcaire sur la résistance, et en contribuant également à une meilleure performance de nettoyage.

**Ce système se régénère avec du sel, il est donc nécessaire de remplir le bac de sel lorsqu'il est vide.**

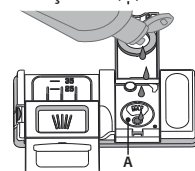
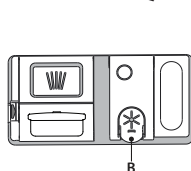
La fréquence de régénération dépend du réglage du niveau de dureté de l'eau - la régénération a lieu une fois tous les **4-6** cycles Eco avec un niveau de dureté de l'eau réglé à **3**.

Le processus de régénération a lieu en fin de cycle pendant que le lave-vaisselle est à l'arrêt. Au début de cycle suivant, le rinçage des résines permet d'évacuer tout le calcaire précipité et le saumur résiduel.

- Une régénération simple consomme : ~3 L d'eau ;
- Prend jusqu'à 5 minutes supplémentaires pour le cycle ;
- Consomme moins de 0,005 kWh d'énergie.

### REMPLIR LE DISTRIBUTEUR DE LIQUIDE DE RINÇAGE

Le liquide de rinçage permet à la vaisselle de **SÉCHER** plus facilement. Le distributeur de liquide de rinçage **A** devrait être rempli lorsque le voyant de **NIVEAU DE LIQUIDE DE RINÇAGE** est allumé à l'écran.



1. Ouvrez le distributeur **B** en appuyant et en tirant sur l'onglet sur le couvercle.

2. Versez doucement du liquide de rinçage jusqu'à la marque de référence (110 ml) du réservoir de remplissage - évitez les débordements. Si cela se produit, nettoyez les dégâts immédiatement avec un linge sec.

3. Appuyez sur le bouchon pour le fermer; un clic se fait entendre. **Ne JAMAIS verser le liquide de rinçage directement dans la cuve.**

## Ajuster le dosage du liquide de rinçage

Si vous n'êtes pas complètement satisfait avec le séchage, vous pouvez ajuster la quantité de liquide de rinçage utilisée.

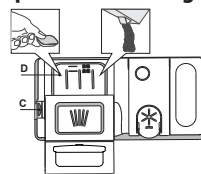
Pour changer, suivre les instructions dans la section « MENU DE RÉGLAGE ». Si le niveau de liquide de rinçage est à ZÉRO, il n'y aura pas de liquide de rinçage distribué. Dans ce cas, le voyant LIQUIDE DE RINÇAGE BAS ne s'allumera pas s'il ne reste plus de liquide de rinçage.

Un maximum de 6 niveaux peuvent être réglés selon le modèle du lave-vaisselle.

- Si vous observez des traces bleuâtres sur la vaisselle, placez sur un niveau plus bas (1-2).
- Si vous observez des gouttelettes d'eau ou des traces de calcaire sur la vaisselle, placez sur un niveau plus haut (4-5).

## REMPILIR LE DISTRIBUTEUR DE DÉTERGENT

Pour ouvrir le distributeur de détergent, utilisez le dispositif d'ouverture C. Insérez le détergent dans le distributeur sec D seulement. Placez la quantité de détergent pour le pré-lavage directement dans la cuve.



1. Lorsque vous dosez le détergent, consultez les informations mentionnées précédemment pour ajuster la quantité correcte. À l'intérieur du distributeur D se trouvent des indications pour aider au dosage de la lessive.
2. Enlevez les résidus de détergent sur le bord des récipients avant de fermer le couvercle; un clic se fait entendre.
3. Fermez le couvercle du distributeur de détergent en le tirant vers le haut jusqu'à ce que le dispositif soit fermement en place.

Le distributeur de détergent s'ouvre automatiquement, au moment déterminé par le programme.

L'utilisation d'un détergent non-conçu pour les lave-vaisselle peut provoquer un dysfonctionnement ou des dommages à l'appareil.

## UTILISATION QUOTIDIENNE

### 1. VÉRIFIER LE BRANCHEMENT DE L'EAU

Assurez-vous que l'appareil est raccordé à un réseau d'alimentation et que le robinet de l'eau est ouvert.

### 2. ALLUMER LE LAVE-VAISSELLE

Ouvrez la porte et appuyez sur la touche **MARCHE-ARRÊT**.

### 3. CHARGER LES PANIERS (voir CHARGEMENT DES PANIERS).

### 4. REMPLIR LE DISTRIBUTEUR DE DÉTERGENT

### 5. CHOISIR LE PROGRAMME ET PERSONNALISER LE CYCLE

Sélectionnez le meilleur programme selon le type de vaisselle et le niveau de saleté (voir DESCRIPTION DES PROGRAMMES) en appuyant sur la touche **PROGRAMME** sélectionnée.

Sélectionnez les options désirées (voir OPTIONS ET FONCTIONS). Toutes les options ne sont pas compatibles avec tous les programmes.

### 6. DÉMARRER

Démarrez le cycle de lavage et appuyez sur la touche **DÉPART/Pause** (le voyant est allumé) et en fermant la porte dans les 4 secondes. Quand le programme démarre, vous entendez un bip simple. Si la porte n'a pas été fermée dans les 4 secondes, le signal d'alarme est activé. Dans ce cas, ouvrez la porte, appuyez sur la touche **DÉPART/Pause** et fermez de nouveau la porte dans les 4 sec.

### 7. FIN DU CYCLE DE LAVAGE

La fin du programme de lavage est indiquée par un son et l'écran affiche **END (FIN)**. Ouvrez la porte et éteignez l'appareil en appuyant sur la touche **MARCHE-ARRÊT**.

Pour éviter de vous brûler, attendez quelques minutes avant de retirer la vaisselle. Déchargez les paniers en commençant par le panier inférieur.

## MODIFICATION D'UN PROGRAMME EN COURS

Si vous avez sélectionné le mauvais programme, vous pouvez le changer, à condition que ce soit fait au tout début du cycle. Pour cela, effectuez une **RÉINITIALISATION** de la machine: appuyez sur la touche **MARCHE-ARRÊT** et maintenez-la appuyée pendant plus de 3 secondes, et la machine s'éteindra. Le **tableau de commande affichera « 0:01 »**. Fermez la porte et attendez la fin du cycle de vidange (environ 1 minute). Ouvrez la porte et rallumez la machine en utilisant le bouton **MARCHE-ARRÊT** et sélectionnez le nouveau programme de lavage et les éventuelles options souhaitées. Démarrer le cycle en appuyant sur la touche **DÉPART/Pause** et en fermant la porte dans les 4 secondes.

## AJOUT DE VAISSELLE SUPPLÉMENTAIRE

Sans couper la machine, ouvrez la porte tout d'abord légèrement pour éviter que l'eau n'éclabousse (Le voyant **DÉPART/Pause** commence à clignoter) **Attention : vapeur chaude**. Placez la vaisselle dans le lave-vaisselle. Appuyez sur la touche **DÉPART/Pause** et fermez la porte dans les 4 sec, le cycle reprendra à l'endroit où il a été interrompu.

## INTERRUPTIONS ACCIDENTELLES

Si la porte est ouverte durant le cycle de lavage, ou s'il y a une panne de courant, le cycle s'interrompt. Fermez la porte et le cycle reprendra au moment où il a été interrompu **UNIQUEMENT SI VOUS APPUYEZ** sur la touche **DÉPART/Pause** et fermez la porte dans les 4 secondes.

## AVIS ET CONSEILS

### CONSEILS

Avant de charger les paniers, enlevez tous les résidus de nourriture sur la vaisselle et videz les verres. **Vous n'avez pas besoin de rincer la vaisselle avant de la placer dans le lave-vaisselle.**

Placez la vaisselle pour qu'elle tienne bien en place et ne risque pas de tomber; et placez les récipients avec les ouvertures vers le bas et les parties concaves/convexes de côté pour permettre à l'eau d'atteindre toutes les surfaces et couler librement.

**Avertissement :** Vérifiez que les couvercles, poignées et poêle à frire n'empêchent pas les bras d'aspersion de tourner librement. Placez les petits articles dans le panier à couvert. La vaisselle et les casseroles très sales devraient être placées sur le panier inférieur car les jets d'eau sont plus forts dans cette section et permet un meilleur rendement lors du lavage. Après avoir chargé l'appareil, assurez-vous que les bras d'aspersion peuvent bouger librement.

### VAISSELLE QUI NE CONVIENT PAS

- Vaisselle et couverts en bois.
- Verres décoratifs délicats, produits artisanaux, et vaisselle antique. Les garnitures ne sont pas résistantes.
- Les pièces en matériel synthétique qui ne supportent pas les hautes températures.
- La vaisselle en cuivre ou en étain.
- La vaisselle tachée de cendre, de cire, de graisse lubrifiante, ou d'encre.

Les couleurs des garnitures de verre et des pièces d'aluminium/argent peuvent changer et ternir durant le cycle de lavage. Certains types de verre (p. ex. les objets en cristal) peuvent aussi devenir opaque après plusieurs cycles de lavage.

### VERRES ET VAISSELLE ENDOMMAGÉS

- Seulement utiliser des verres ou de la porcelaine qui sont lavables au lave-vaisselle conformément aux recommandations du fabricant.
- Utilisez un détergent doux, adéquat pour la vaisselle.
- Retirez les verres et les couverts du lave-vaisselle aussitôt que le cycle de lavage est terminé.

## ASTUCES SUR L'ÉCONOMIE D'ÉNERGIE

- Lorsque le lave-vaisselle domestique est utilisé conformément aux instructions du fabricant, **le lavage de la vaisselle dans un lave-vaisselle consomme habituellement MOINS D'ÉNERGIE et d'eau que le lavage à la main.**
- Afin d'optimiser l'efficacité du lave-vaisselle, il est recommandé de **débuter le cycle de lavage une fois que le lave-vaisselle est totalement chargé**. Le chargement du lave-vaisselle domestique jusqu'à la capacité indiquée par le fabricant contribuera à économiser de l'énergie et de l'eau. Vous trouverez des informations sur le chargement correct de la vaisselle dans le chapitre CHARGEMENT DES PANIERS. En cas de chargement partiel, il est recommandé d'utiliser des options de lavage spécifiques si elles sont disponibles (Demi-charge / Zone Wash/ Multizone), en remplissant uniquement les paniers sélectionnés. Un chargement incorrect ou une surcharge du lave-vaisselle peut augmenter l'utilisation des ressources (telles que l'eau, l'énergie et le temps, et augmenter le niveau de bruit), en réduisant les performances de nettoyage et de séchage.
- Un pré-rinçage manuel des éléments de vaisselle provoque une augmentation de la consommation d'eau et d'énergie et n'est pas recommandé.

## HYGIÈNE

Pour éviter les odeurs et les dépôts qui pourraient s'accumuler dans le lave-vaisselle, **lancer le programme Autonettoyant** (sans vaisselle à l'intérieur) **au moins une fois par mois** (voir OPTIONS ET FONCTIONS).

## RÉSISTANCE AU GEL

Si l'appareil est installé dans une pièce exposée au risque de gel, **vidangez-le complètement**. Fermez la valve d'eau, retirez les tuyaux d'arrivée et de vidange, puis laissez l'eau s'écouler. **Assurez-vous que l'adoucisseur d'eau est plein de sel régénérant dissous dans le réservoir de sel**, pour protéger l'appareil des températures pouvant aller jusqu'à -20°C. Si l'appareil a été conservé dans des conditions de gel, il doit rester à une température ambiante de 5°C minimum pendant **au moins 24 heures** avant la première utilisation.

TABLEAU DES PROGRAMMES

Programme	Description des programmes	Séchage	NaturalDry	Options disponibles *)	Durée du programme de lavage (h:min)**)	Consommation d'eau (l/cycle)	Consommation d'énergie (kWh/cycle)
<b>Eco</b>	<b>Éco 50°</b> - Le programme Eco est adapté pour nettoyer la vaisselle normalement sale. Pour cette utilisation, c'est le programme qui a une consommation d'eau et d'énergie la plus optimale. Il est utilisé pour évaluer la conformité à la législation européenne en matière d'éco-conception.	✓	✓		3:30	9,5	0,76
	<b>Rapide 45°</b> - Ce programme est recommandé pour une quantité limitée de vaisselle légèrement sale sans résidus d'aliments séchés. N'inclut pas de phase de séchage.	-	✓		0:30 - 0:40	10,0 - 12,0	0,55 - 0,65
	<b>Cristal 45°</b> - Programme pour la vaisselle délicate, plus sensible aux températures élevées, comme les verres et les tasses.	✓	✓		1:40 - 1:50	12,5 - 16,5	0,95 - 1,20
	<b>Intensif Auto 65°</b> - Programme automatique pour la vaisselle et les casseroles très sales.	✓	✓		2:25 - 3:10	15,5 - 24,5	1,30 - 1,70
	<b>Mixte Auto 55°</b> - Programme automatique pour de la vaisselle normalement sale avec des résidus d'aliments séchés.	✓	✓		1:20 - 3:00	7,5 - 19,5	0,75 - 1,20
	<b>Rapide Auto 50°</b> - Programme automatique pour de la vaisselle normalement et légèrement sale. Le cycle quotidien qui assure un nettoyage optimal et des performances de séchage en moins de temps.	✓	✓		1:00 - 1:50	7,5 - 15,5	0,70 - 1,10
	<b>Prélavage</b> - Utilisez ce programme pour rafraîchir la vaisselle qui sera lavée plus tard. N'utilisez pas de détergent avec ce programme.	-	✓		0:12	4,5	0,10
	<b>Autonettoyant 65°</b> - Programme à utiliser pour effectuer l'entretien du lave-vaisselle, à réaliser uniquement lorsque le lave-vaisselle est VIDE en utilisant des détergents spécifiques conçus pour l'entretien du lave-vaisselle.	-	-		1:15	11,0	1,10

Les données du programme Éco sont mesurées sous des conditions en laboratoire conformément à la norme européenne EN 60436:2020.

Note pour les laboratoires d'essai : pour toutes informations sur les conditions d'essai comparatif EN, s'adresser à : dw\_test\_support@whirlpool.com.

Aucun prétraitement de la vaisselle n'est nécessaire avant l'un quelconque des programmes.

\*) Les options ne peuvent pas toutes être utilisées en même temps.

\*\*) Les valeurs indiquées pour des programmes différents du programme Éco sont fournies à titre indicatif uniquement. Le temps réel peut varier selon des facteurs comme la température et la pression de l'eau, la température de la pièce, la quantité de détergent, la quantité et le type de vaisselle, l'équilibre de la charge, les options supplémentaires sélectionnées, et la calibration du capteur. La calibration du capteur peut augmenter la durée du programme jusqu'à 20 minutes.

OPTIONS ET FONCTIONS

Les **OPTIONS** peuvent être sélectionnées/désélectionnées, après avoir choisi le programme, directement en appuyant sur la touche correspondante (si disponibles - les témoins s'allument) (voir le **PANNEAU DE COMMANDE**). Si une option n'est pas compatible avec le programme sélectionné (voir **TABLEAU DES PROGRAMMES**), le voyant correspondant clignote 3 fois et un bip se fait entendre. La fonction n'est pas activée. Une option peut changer le temps ou la consommation d'eau ou d'énergie du programme.

**DEMI-CHARGE** - S'il n'y a pas trop de vaisselle à laver, une option DEMI-CHARGE est utilisée pour économiser de l'eau, de l'électricité et du temps en fonction du programme choisi.

**Rappelez-vous de diminuer de moitié la quantité de détergent.**

**SILENCIEUX** - Adéquat lorsque l'appareil fonctionne la nuit. Cette option peut être utilisée pour limiter les émissions de bruit pendant les phases de lavage. Elle augmentera la durée du cycle en fonction de la sélection du cycle de base.

**RINÇAGE ANTIBACTÉRIEN** - Cette option peut être utilisée pour assainir la vaisselle lavée. Cela augmentera la température de rinçage finale et ajoutera un lavage anti-bactérien au programme sélectionné. Idéal pour laver la vaisselle et les biberons. La porte du lave-vaisselle doit être fermée tout au long du cycle pour garantir que la quantité de germes est bien diminuée. Si vous ouvrez la porte, le voyant se met à clignoter.

**AVERTISSEMENT : la vaisselle et les plats peuvent être très chaud à la fin du cycle.**

**POWER CLEAN®** - Grâce aux jets haute pression supplémentaires, cette option fournit un lavage plus intensif et puissant dans le panier inférieur, dans la zone spécifique. Elle est recommandée pour le lavage des poêles et des casseroles (Voir la section de chargement Power Clean®).

**EXTRA SEC** - Une température supérieure pendant le rinçage final et une phase de séchage prolongée permettent un séchage amélioré. L'option EXTRA SEC prolonge le cycle de lavage.

**DÉPART DIFFÉRÉ** - Le début du programme peut être différé entre 30 minutes et 24 heures.

1. Sélectionnez le programme et les options souhaités. Appuyez sur la touche DÉPART DIFFÉRÉ (plusieurs fois) pour retarder le début du programme. Réglable de 0:30 à 24 heures. Une fois que le réglage de 24 heures est atteint, appuyez encore une fois sur DÉPART DIFFÉRÉ pour désactiver la fonction DÉPART DIFFÉRÉ.
2. Appuyez sur le touche DÉPART/Pause et fermez la porte dans un délai de 4 sec. La minuterie commence le compte à rebours.
3. Une fois le temps écoulé, le voyant s'éteint et le programme démarre automatiquement.

La fonction DÉPART DIFFÉRÉ ne peut pas être modifiée lorsque le programme est en cours.

**TEMPS RESTANT AU SOL** - Un témoin à LED projeté sur le sol indique le temps restant jusqu'à la fin du cycle. Le voyant s'éteint chaque fois que la porte est ouverte. Le voyant s'éteint à la fin d'un cycle. Cette fonction est active par défaut, mais il est possible de la désactiver dans le « MENU DE RÉGLAGE ».

**DÉTARTRAGE - Alarme** - Une accumulation de tartre a été détectée sur des composants internes de l'appareil. Vérifier si le **Réglage de Dureté** de l'eau est à la valeur correcte et si **du sel est présent dans le réservoir de sel** (voir **PREMIÈRE UTILISATION**), puis **utiliser un produit détartrant** (la marque WPRO est recommandée) avec le **programme Autonettoyant**. Après un détartrage réussi, l'icône s'éteindra.

Si les actions ci-dessus ne sont pas réalisées, les performances du produit se détérioreront. Un avertissement de « Détartrage » commencera à clignoter et une alarme « **DES** » apparaîtra sur l'écran. Si aucune action n'est entreprise, l'appareil pourra encore effectuer quelques cycles de lavage (nombre indiqué pendant l'affichage de l'alarme « **DES** ») puis il sera **BLOQUÉ** pour éviter les dommages aux composants, avec seulement le **programme Autonettoyant disponible**. La réalisation d'un détartrage complet débloquera le produit. En cas de quantités très importantes de tartre, il est possible de devoir lancer deux fois successivement le programme Autonettoyant pour que le détartrage soit efficace.

**NaturalDry** - C'est un système de séchage à convection qui ouvre automatiquement la porte pendant/après la phase de séchage pour assurer une performance de séchage exceptionnelle chaque jour. La porte s'ouvre à la température qui est sûre pour les meubles de votre cuisine, donc la porte ne sera pas ouverte quand l'option RINÇAGE ANTIBACTÉRIEN sera activée. A titre de protection supplémentaire contre la vapeur, un adhésif anti-vapeur spécifiquement conçu est livré avec le lave-vaisselle. Pour voir comment poser cet adhésif, consulter le GUIDE D'INSTALLATION. Cette fonction est active par défaut, mais il est possible de la désactiver dans le « MENU DE RÉGLAGE ».

**DÉTECTION** - Lorsque le capteur détecte le niveau de saleté, une animation apparaît sur l'écran (environ 20 min.) et la durée du cycle est mise à jour. La DÉTECTION est destinée au niveau de salissure de la vaisselle et elle est présente pour tous les cycles de lavage (excepté Eco) en ajustant le programme en conséquence.

**ROBINET D'EAU FERMÉ - Alarme** - Clignote lorsqu'il n'y a pas d'arrivée d'eau ou que le robinet d'eau est fermé

## CHARGEMENT DES PANIERS

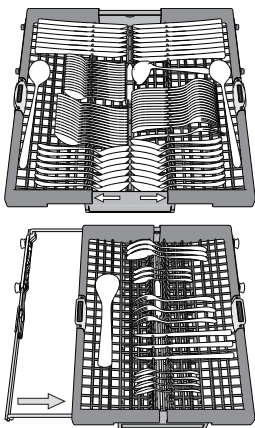
CAPACITÉ : 15 couverts standards

### COMPARTIMENT À COUVERT

Le troisième panier a été conçu pour contenir les couverts. Placez les couverts comme illustré sur le dessin ci-contre. Séparer les couverts facilite le rangement après le cycle de lavage et améliore les programmes de lavage et de séchage.

**Les couteaux et autres ustensiles avec des bords tranchants doivent être placés dans le panier à couvert avec la pointe vers le bas.**

Le panier à couvert comprend deux paniers coulissants sur les côtés pour optimiser l'utilisation de l'espace disponible et permettre le chargement de grands articles dans le panier supérieur.

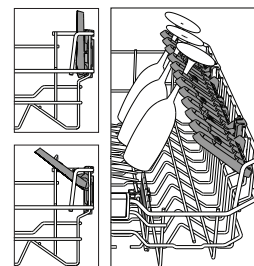


### Volets pliables avec positions ajustables

Les volets pliables latéraux peuvent être pliés ou dépliés afin d'optimiser la disposition de la vaisselle à l'intérieur du panier. Les verres de vin peuvent être placés de façon sécuritaire dans les volets pliables en insérant le pied de chaque verre dans la fente correspondante.

Selon le modèle :

- pour déplier les volets, il est nécessaire de les coulisser vers le haut et de les tourner ou de les tirer vers le bas.
- pour replier les volets, il est nécessaire de les tourner et de les faire coulisser vers le bas ou de les tirer vers le haut et de les accrocher aux fixations.

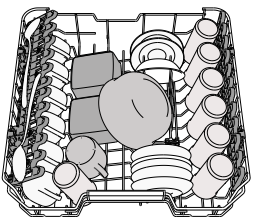


### PANIER SUPÉRIEUR

Chargez la vaisselle délicate et légère : verres, tasses, petits saladiers.

Le panier supérieur comprend des supports rabattables qui peuvent être utilisés dans une position verticale lorsque vous placez les assiettes à thé ou à dessert, ou abaissée pour charger les bols et autres récipients.

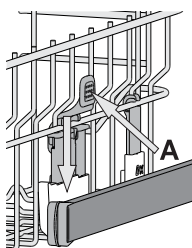
(exemple de chargement du panier supérieur)



### Ajuster la hauteur du panier supérieur

Vous pouvez ajuster la hauteur du panier supérieur : position élevée pour placer la vaisselle encombrante sur le panier inférieur et éviter les chocs avec le panier supérieur ; en créant plus d'espace en hauteur.

Le panier supérieur comprend un dispositif de réglage de la hauteur (voir figure). Sans appuyer sur les leviers, soulevez simplement le panier supérieur en le tenant par les côtés jusqu'à ce qu'il soit stable en position élevée. Pour abaisser le panier, appuyez sur les leviers **A** sur les côtés du panier et déplacez-le vers le bas.

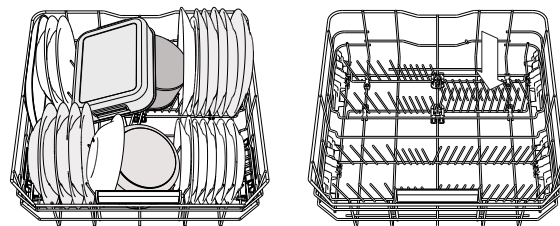


**Nous vous conseillons fortement de ne pas ajuster la hauteur du panier lorsqu'il est chargé. Ne JAMAIS soulever ou abaisser un seul côté du panier.**

### PANIER INFÉRIEUR

Pour les poêles, les couvercles, les plats, les saladiers, les couverts, etc. Les grands plats et les grands couvercles devraient être placés sur le côté pour éviter qu'ils n'entravent le fonctionnement des bras d'aspersion.

Le panier inférieur comprend des supports rabattables qui peuvent être placés en position verticale pour charger des assiettes, ou en position horizontale (bas) pour faciliter le chargement des casseroles et des saladiers.



(exemple de chargement du panier inférieur)

### POWER CLEAN®

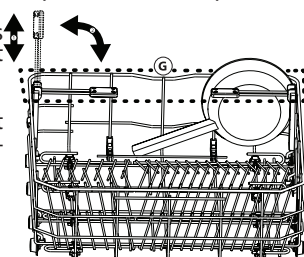
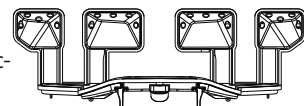
Power Clean® utilise des jets d'eau spéciaux, situés à l'arrière de la cavité, pour laver les articles très sales avec une intensité plus élevée. Le panier inférieur comprend une zone d'espace,

un support spécial qui se trouve à l'arrière du panier, qui peut être utilisé pour supporter les poêles à frire et les moules dans une position verticale, prenant ainsi moins de place.

Placer les poêles et les casseroles face aux jets Power Clean® situés à l'arrière de la cuve et activez **POWER CLEAN®** sur le bandeau.

Comment utiliser Power Clean®.

1. Réglez la zone Power Clean® (**G**) en rabattant les supports pour assiettes arrières pour charger des casseroles.
2. Chargez les grands plats et les casseroles en les inclinant à la verticale dans la zone Power Clean®. Les casseroles doivent être inclinées dans la direction des jets d'eau haute pression.



## NETTOYAGE ET ENTRETIEN

### NETTOYER L'ENSEMBLE FILTRE

Nettoyez régulièrement l'ensemble filtre pour éviter qu'il ne se bouche et pour permettre aux eaux usées de bien s'éliminer. L'utilisation du lave-vaisselle avec des filtres obstrués ou des corps étrangers à l'intérieur du système de filtration ou des bras de lavage peut provoquer un dysfonctionnement du lave-vaisselle en réduisant l'efficacité de lavage, en augmentant le bruit de fonctionnement et la consommation d'électricité.

L'ensemble filtre comprend trois filtres qui séparent les résidus de nourriture de l'eau de lavage pour ensuite faire circuler l'eau.

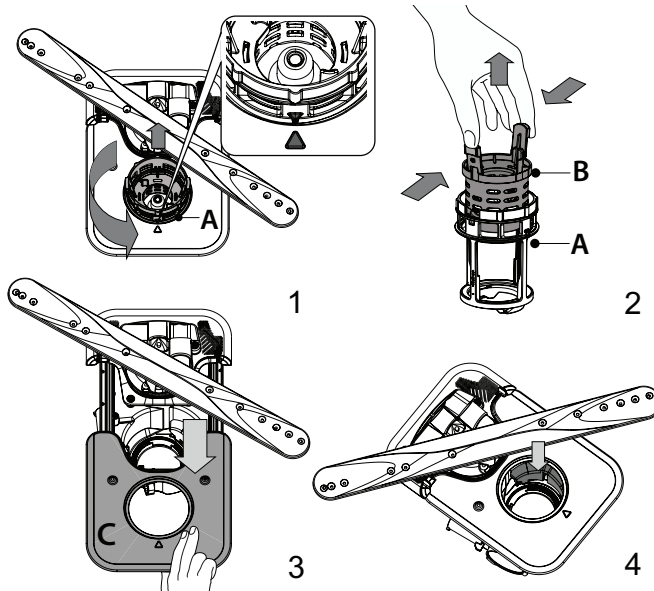
**N'utilisez pas le lave-vaisselle sans les filtres ou si un filtre est mal ajusté.**

Au moins une fois par mois ou tous les 30 cycles, vérifiez l'assemblage du filtre et si nécessaire, nettoyez-le minutieusement sous l'eau courante, en utilisant une brosse non-métallique et en suivant les instructions ci-dessous : Tournez le filtre cylindrique **A** dans le sens antihoraire et retirez-le (Fig. 1).

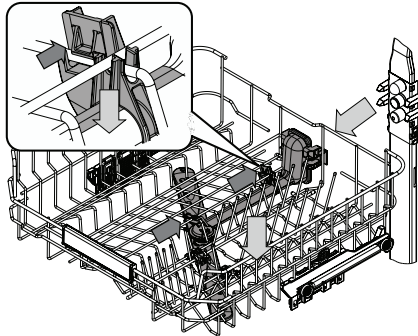
**Il est important lors de la réinstallation du filtre que les deux triangles indiqués sur le zoom (Fig. 1) correspondent.**

1. Enlevez le panier du filtre **B** en appliquant une légère pression sur les volets latéraux (Fig. 2).
2. Retirez la plaque du filtre en acier inoxydable **C** (Fig. 3).
3. Si vous trouvez des objets étrangers (comme du verre brisé, de la porcelaine, des os, des pépins de fruits, etc), enlevez-les minutieusement.
4. Inspecter la cavité et enlever les résidus de nourriture. **NE JAMAIS ENLEVER** la protection de la pompe du cycle de lavage (indiqué par la flèche) (Fig 4).

Après avoir nettoyé les filtres, assemblez de nouveau l'ensemble filtre et remettez-le en place correctement; c'est très important pour que le lave-vaisselle garde son efficacité.

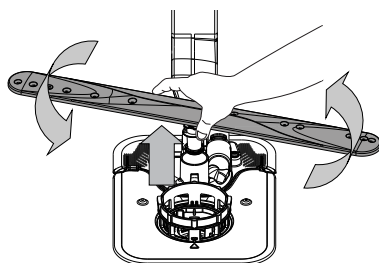


**NETTOYER LES BRAS D'ASPERSION**

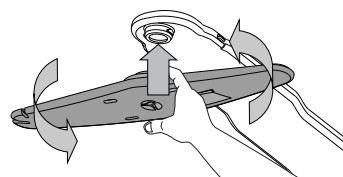


À l'occasion, des résidus de nourriture s'incrustent dans les bras d'aspersion et bloquent les trous utilisés pour asperger de l'eau. Il est donc conseillé de vérifier les bras de temps en temps et de les nettoyer avec une petite brosse non métallique.

Pour démonter le bras d'aspersion intermédiaire, il faut déclipser l'ensemble collecteur d'eau situé sous le panier supérieur.



Le bras d'aspersion inférieur se démonte en le tirant vers le haut, tout en le tournant dans le sens inverse des aiguilles d'une montre. Pour remonter le bras d'aspersion inférieur, il faut le pousser vers le bas tout en le tournant dans le sens des aiguilles d'une montre.

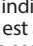


Le bras d'aspersion supérieur se démonte en le tirant vers le bas, tout en le tournant dans le sens inverse des aiguilles d'une montre. Pour remonter le bras d'aspersion supérieur, il faut le pousser vers le haut tout en le tournant dans le sens des aiguilles d'une montre.

**DÉPANNAGE**

Si votre lave-vaisselle ne fonctionne pas correctement, vérifiez si le problème peut être résolu en suivant la liste ci-après. Pour d'autres erreurs ou problèmes, contactez le Service après-vente agréé dont les coordonnées peuvent être trouvées dans le livret de garantie. Les pièces de rechange seront disponibles pour une période allant jusqu'à 7 ou jusqu'à 10 ans, selon les exigences spécifiques du règlement.

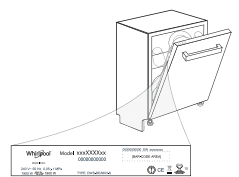
PROBLÈMES	CAUSES POSSIBLES	SOLUTIONS
L'indicateur de sel est allumé	Le réservoir de sel est presque vide..	Remplissez le réservoir de sel régénérant (voir <b>REPLIR LE RÉSERVOIR DE SEL</b> ). Réglez la dureté de l'eau (voir <b>TABLEAU DE DURETÉ DE L'EAU</b> ).
Le voyant de niveau de sel clignote	Le réservoir de sel est vide.	Remplissez le réservoir avec du sel dès que possible. L'utilisation de l'appareil sans sel peut provoquer des dommages à ses composants internes.
Le voyant de liquide de rinçage est allumé ou clignote	Le distributeur de liquide de rinçage est vide. (Après le remplissage, il est possible que le voyant du liquide rinçage reste allumé pendant un certain temps).	Remplissez le distributeur avec du liquide de rinçage (voir <b>REPLIR LE DISTRIBUTEUR DE LIQUIDE DE RINÇAGE</b> ).
Le voyant de détartrage est allumé ou clignote; L'alarme « <b>dES</b> » s'affiche.	Du calcaire s'accumule sur les composants internes de l'appareil.	Détartrez l'appareil immédiatement en utilisant le programme Autonettoyant et un produit détartrant disponible dans le commerce (voir <b>OPTIONS ET FONCTIONS</b> ). Remplissez le réservoir avec du sel. Vérifiez le réglage de la dureté de l'eau. Si l'appareil n'est pas détartré, il arrêtera de fonctionner.
Le lave-vaisselle ou les commandes ne fonctionnent pas.	L'appareil n'est pas bien branché.	Insérez la fiche dans la prise de courant.
	Panne de courant.	Pour des raisons de sécurité, le lave-vaisselle ne redémarrera pas automatiquement lors du rétablissement du courant. Ouvrez la porte du lave-vaisselle, appuyez sur le touche DÉPART/Pause, et fermez la porte dans les 4 secondes.
	La porte du lave-vaisselle n'est pas fermée. La tige du système NaturalDry n'est pas rentrée	Poussez vigoureusement la porte pour entendre le « clic ».
	Un cycle est interrompu en cas d'ouverture de la porte pendant plus de 4 secondes.	Appuyez sur DÉPART/Pause et fermez la porte dans les 4 secondes.
Le lave-vaisselle ne se vidange pas. L'afficheur indique: <b>F7 E3</b> ou <b>F9 E1</b>	Le panneau de commande ne répond pas ou le message F6 E1 est affiché.	Éteignez l'appareil en appuyant sur la touche MARCHE-ARRÊT/Réinitialisation, rallumez-le environ une minute après, et redémarrez le programme. Si le problème persiste, débranchez l'appareil pendant 1 minute, puis rebranchez-le.
	Le filtre est bouché par des résidus de nourriture ou du calcaire.	Nettoyez le filtre et détartrez l'appareil (voir <b>NETTOYER L'ENSEMBLE FILTRE et INSTRUCTION POUR LE DÉTARTRAGE</b> ).
	Le tuyau de vidange est plié. Le conduit de vidange de l'évier est bouché.	Vérifiez le tuyau de vidange (voir <b>INSTRUCTIONS D'INSTALLATION</b> ). Nettoyez le conduit de vidange de l'évier.
Le lave-vaisselle fait beaucoup de bruit.	La vaisselle s'entrechoque.	Remplacez la vaisselle correctement (voir <b>CHARGEMENT DES PANIERS</b> ).
	Une quantité de mousse excessive est présente.	Le détergent a été mal mesuré ou il n'est pas adéquat pour les lave-vaisselle (voir <b>REPLISSAGE DU DISTRIBUTEUR DE DÉTERGENT</b> ). Relancez le cycle en cours en éteignant le lave-vaisselle, puis en le rallumant, sélectionnez un nouveau programme, appuyez sur MARCHE-ARRÊT et fermez la porte dans les 4 secondes. Merci de ne pas ajouter de détergent.
	La vaisselle n'a pas été bien rangée.	Remplacez la vaisselle correctement (voir <b>CHARGEMENT DES PANIERS</b> ).
	Le filtre est bouché par des résidus de nourriture ou du calcaire.	Nettoyez l'ensemble de filtre (voir <b>NETTOYAGE ET ENTRETIEN</b> ).
La vaisselle n'est pas propre.	La vaisselle n'a pas été bien rangée.	Remplacez la vaisselle correctement (voir <b>CHARGEMENT DES PANIERS</b> ).
	Les bras d'aspersion ne tournent pas librement, ils sont gênés par la vaisselle.	Remplacez la vaisselle correctement (voir <b>CHARGEMENT DES PANIERS</b> ). Vérifiez que le panier supérieur est dans la position correcte et ajuster le (lever) si nécessaire.
	Le cycle de lavage n'est pas assez intensif.	Sélectionnez le cycle de lavage approprié (voir <b>TABLEAU DES PROGRAMMES</b> ).
	Une quantité de mousse excessive est présente.	Le détergent a été mal mesuré ou il n'est pas adéquat pour les lave-vaisselle (voir <b>REPLIR LE DISTRIBUTEUR DE DÉTERGENT</b> ).
	Le bouchon du compartiment de liquide de rinçage n'est pas bien fermé.	Assurez-vous que le bouchon du distributeur de liquide de rinçage est fermé.
	Le filtre est bouché par des résidus de nourriture ou du calcaire.	Nettoyez le filtre et détartrez l'appareil (voir <b>NETTOYER L'ENSEMBLE FILTRE</b> ).
	Le réservoir de sel est vide.	Remplir le réservoir de sel (voir <b>REPLIR LE RÉSERVOIR DE SEL</b> ).

PROBLÈMES	CAUSES POSSIBLES	SOLUTIONS
L'eau n'arrive pas au lave-vaisselle. L'afficheur indique : <b>H2O</b> et  est allumé ; une alarme sonore retentit.	L'alimentation d'eau est vide ou le robinet est fermé.	Assurez-vous qu'il y a de l'eau dans le circuit d'alimentation ou que le robinet est ouvert.
	Le tuyau d'arrivée d'eau est plié.	Vérifiez le tuyau d'entrée (voir <i>INSTALLATION</i> ). Ouvrez la porte du lave-vaisselle, appuyez sur la touche DÉPART/Pause, et fermez la porte dans les 4 secondes.
	Le tamis dans le tuyau d'arrivée d'eau est obstrué; vous devez le nettoyer.	Vérifiez et nettoyez le tamis dans le tuyau d'entrée d'eau. Ouvrez la porte du lave-vaisselle, appuyez sur la touche DÉPART/Pause, et fermez la porte dans les 4 secondes.
Le lave-vaisselle termine son cycle prématurément. L'afficheur indique : <b>F8 E3</b> .	Le bouchon du compartiment de liquide de rinçage n'est pas bien fermé.	Nettoyez le filtre et détartrez l'appareil (voir <i>NETTOYER L'ENSEMBLE FILTRE et INSTRUCTION POUR LE DÉTARTAGE</i> ).
	Le tuyau de vidange est positionné trop bas ou se vide dans le système d'évacuation domestique.	Vérifiez que le tuyau de vidange n'est pas trop engagé dans la canalisation murale du réseau d'évacuation des eaux usées (voir <i>INSTALLATION</i> ). En cas d'un branchement du tuyau de vidange sur le syphon d'un évier de cuisine, il faut installer un dispositif anti retour pour éviter le risque de siphonnage du lave-vaisselle.
	Une quantité de mousse excessive est présente.	Le détergent a été mal mesuré ou il n'est pas adéquat pour les lave-vaisselle (voir <i>REEMPLIR LE DISTRIBUTEUR DE DÉTERGENT</i> ).
	De l'air est présent dans l'alimentation en eau.	Vérifiez si l'alimentation en eau présente des fuites ou d'autres problèmes laissant entrer de l'air.
La vaisselle n'est pas bien séchée.	Il n'y a pas de liquide de rinçage ou le dosage est trop faible.	Assurez-vous que le distributeur de liquide de rinçage est rempli (voir <i>REEMPLIR LE DISTRIBUTEUR DE LIQUIDE DE RINÇAGE</i> ). Les tablettes multifonctions ne donnent pas un résultat de séchage aussi bon que l'utilisation effective de liquide de rinçage.
	La vaisselle a été chargée après l'ouverture automatique de la porte mais avant la fin du cycle effectif.	Assurez-vous que le cycle a pris fin avant de commencer à décharger la vaisselle (voir <i>UTILISATION QUOTIDIENNE</i> ). Pour des résultats de séchage encore meilleurs, il est recommandé de laisser la vaisselle à l'intérieur du lave-vaisselle avec la porte ouverte pendant 15 minutes supplémentaires après la fin du cycle.
	La vaisselle est positionnée trop à plat.	Si vous constatez des flaques d'eau dans les cavités des tasses, mugs ou bols, essayez de charger la vaisselle (en particulier dans le panier supérieur) de manière plus inclinée pour permettre à l'eau de s'égoutter davantage avant que le séchage ne débute.
	Le cycle sélectionné n'a pas de phase de séchage.	Vérifiez sur le <i>TABLEAU DE PROGRAMMES</i> si le programme sélectionné est équipé dans la phase de séchage. Un cycle sans phase de séchage ne peut pas donner une efficacité de séchage souhaitée, il est donc recommandé de changer la sélection de cycle pour celle qui présente une phase de séchage.
La vaisselle est anti-adhérente ou en plastique.	Il est normal qu'il reste quelques gouttes d'eau sur ce type de matériau.	
La vaisselle et les verres ont des traces bleues ou des teintes bleutées.	Le dosage du liquide de rinçage est excessif.	Ajuster le dosage à une valeur inférieure.
Des traces de calcaire ou un film blanc sont présentes sur la vaisselle et les verres.	Le réservoir à sel est vide.	Remplissez le réservoir avec du sel dès que possible. L'utilisation de l'appareil sans sel peut provoquer des dommages à ses composants internes.
	Le réglage de la dureté de l'eau est trop bas.	Augmenter le réglage (voir <i>TABLEAU DURETÉ DE L'EAU</i> ).
	Le bouchon du réservoir de sel n'est pas bien fermé.	Vérifiez et fermez le bouchon du réservoir de sel.
	Le réservoir de liquide de rinçage est vide ou le dosage de liquide de rinçage est insuffisant.	Remplissez le distributeur avec du liquide de rinçage et vérifiez le réglage du dosage (pour plus d'informations - voir <i>REEMPLIR LE DISTRIBUTEUR DE LIQUIDE DE RINÇAGE</i> ).
Le lave-vaisselle affiche <b>F8 E5</b>	La vanne est bloquée ou défectueuse.	Fermez le robinet d'eau, si possible. Ne coupez pas l'alimentation électrique. Appelez la maintenance.



### **Vous trouverez les documents normatifs, la documentation standard, le classement des pièces de rechange et des informations supplémentaires sur les produits:**

- En utilisant le QR code sur votre produit et visitant notre site web [docs.whirlpool.eu](https://docs.whirlpool.eu)
- En visitant notre site web [parts-selfservice.whirlpool.com](https://parts-selfservice.whirlpool.com)
- Vous pouvez également **contacter notre Service après-vente** (voir numéro de téléphone dans le livret de garantie). Lorsque vous contactez notre Service après-vente, veuillez indiquer les codes figurant sur la plaque signalétique de l'appareil.



Les informations relatives au modèle peuvent être trouvées en utilisant le QR-Code figurant sur l'étiquette énergétique. L'étiquette comprend également l'identifiant du modèle qui peut être utilisé pour consulter le portail du registre sur le site <https://eprel.ec.europa.eu>.





**KÖSZÖNJÜK, HOGY A WHIRLPOOL TERMÉKÉT VÁLASZTotta!**  
Teljes körű támogatásért kérjük, regisztrálja termékét honlapunkon: [www.whirlpool.eu/register](http://www.whirlpool.eu/register)

A készülék használata előtt olvassa el figyelmesen a Biztonsági és telepítési útmutatót. A termékről további információt a következő weboldalon talál: [docs.whirlpool.eu](http://docs.whirlpool.eu)



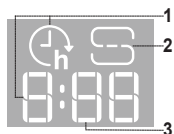
A beszerelést követően ne felejtse el eltávolítani a mosogatógépből a szállításhoz használt védőelemeket.

## KEZELŐPANEL



- BE-KI/Újraindítás** gomb és jelzőfény
- Óko program** gomb és jelzőfény
- Gyors program** gomb és jelzőfény/ **Előmosogatás program** - 3 másodperces lenyomás
- Üveg program** gomb és jelzőfény/ **Öntisztítás program** - 3 másodperces lenyomás
- Automatikus programok** gombja jelzőfényekkel – **Auto Intenzív 65° / Auto Vegyes 55° / Auto Gyors 50°**
- Sótartály** üres jelzőfény
- Öblítősértartály** üres jelzőfény
- Kijelző**
- Programszám és hátralévő idő** jelzőfény
- A Vízcsap Zárva Van** jelzőfény
- VÍZKÖMMENTESÍTÉS** jelzőfény
- Extra opciók** gombjai jelzőfényekkel – **Féltöltet / Csendes / Fertőtlenítő öblítés**
- Power Clean® opciógomb** és jelzőfény
- Extra Szárás opciógomb** és jelzőfény/ **Beállítások** - 3 másodperces lenyomás
- Késleltetés opciógomb** és jelzőfény
- INDÍTÁS/Szünet gomb** és jelzőfény

## KIJELZÉS A PADLÓN



- Késleltetési idő kijelzése a padlón** - a program kezdetéig hátralévő idő jelzése a Késleltetés opció beállítás esetén
- Sótartály üres** - padlóra vetített jelzőfény
- Hátralévő idő kijelzése a padlón** - a program végéig hátralévő idő jelzése

## ELSŐ HASZNÁLAT

### BEÁLLÍTÁSOK MENÜ

- Kapcsolja be a készüléket a **BE-KI** gombbal.
- Tartsa lenyomva a **Beállítások** (Extra Szárás) gombot 3 másodpercig, amíg hangjelzést nem hall, és a kijelzőn megjelenik a „SET” üzenet.
- Egy másodperc múlva megjelenik az első rendelkezésre álló beállítás („h” betű).
- Nyomja meg a **Automatikus programok** / **Extra opciók** gombot a rendelkezésre álló beállítások (lásd a lenti táblázatot) listájának végiggörgetéséhez, majd nyomja meg a **INDÍTÁS/Szünet** gombot a kiválasztott beállítás értékének megtekintéséhez és módosításához.
- Nyomja meg a **Automatikus programok** / **Extra opciók** gombot az érték módosításához, majd nyomja meg a **INDÍTÁS/Szünet** gombot az új érték mentéséhez.
- További beállítások módosításához ismételje meg a 2. és az 5. lépést.
- Nyomja meg az **BE-KI** gombot, vagy várjon 30 másodpercet a menüből történő kilépéshez.

BETŰ	BEÁLLÍTÁSOK	ÉRTÉKEK (Alapértelmezett – félkövér)
	<b>Vízkeménység szintje</b> (lásd „A VÍZKEMÉNYSEG BEÁLLÍTÁSA” és a „VÍZKEMÉNYSEGI TÁBLÁZAT”)	1   2   <b>3</b>   4   5
	<b>Öblítő szintje</b> (lásd: „A VÍZKEMÉNYSEG BEÁLLÍTÁSA”)	0   1   2   3   4   5
	<b>NaturalDry</b> (lásd: „OPCIÓK ÉS FUNKCIÓK”) „1” = Be, „0” = Ki	1   0
	<b>Padlóra vetített idő</b> (lásd: „OPCIÓK ÉS FUNKCIÓK”) „1” = Be, „0” = Ki	1   0
	<b>Hang</b> „1” = Be, „0” = Ki	1   0
	<b>Gyári beállítások</b> Nyomja meg a <b>INDÍTÁS/Szünet</b> gombot a Beállítások menüben található beállítások értékének gyári alapértékre történő visszaállításához.	-

### A SÓTARTÁLY FELTÖLTÉSE

Só használatával elkerülhető, hogy VÍZKŐ képződjön az edényeken és a gép funkcionális alkatrészein.

A sótartály a mosogatógép alsó részén található (a bal oldali alsó kosár alatt).

- Feltétlenül szükséges, hogy a **sótartály soha ne legyen üres.**
- Fontos, hogy a víz keménység be legyen állítva.
- Ha a SÓ UTÁNTÖLTÉSE jelzőfény világít a kezelőpanelen, só kell betölteni.



- Vegye ki az alsó kosarat, és csavarja ki a tartály kupakját (az óramutató járásával ellentétes irányba).
- Helyezze be a tölcserít (lásd az ábrát), és töltsse fel teljesen a sótartályt (ehhez kb. 0,5 kg só szükséges). Előfordulhat, hogy egy kevés víz kifolyik a rekeszből.
- Csak a legelső használatkor: töltsse fel vízzel a sótartályt!**

- Vegye ki a tölcserít, és törölje le az esetlegesen kiszóródott sót a nyílás környékéről.

Zárja vissza szorosan a kupakot úgy, hogy a mosogatási program során ne kerülhessen mosogatószer a tartályba (ellenkező esetben a vízlágyító helyrehozhatatlanul károsodhat).

**A korrózió megelőzése érdekében a só betöltését követően mindig futtasson egy programot.**

### A víz keménység beállítása

A vízlágyító akkor működik tökéletesen, ha a víz keménységet a lakóhelyén elérhető víz tényleges keménysége alapján állítja be. Ezzel kapcsolatban érdeklődjön a helyi vízműveknél. A gyári beállítás a közepes „3” víz keménység. Lásd „VÍZKEMÉNYSEGI TÁBLÁZAT”.

A módosításhoz kövesse a „BEÁLLÍTÁSOK MENÜ” részben leírt utasításokat.

Szint	Víz keménységi táblázat		
	°dH Német rendszer	°fH Francia rendszer	°Clark Angol rendszer
1 (lágy)	0 - 6	0 - 10	0 - 7
2 (közepes)	7 - 11	11 - 20	8 - 14
3 (átlagos)	12 - 16	21 - 29	15 - 20
4 (kemény)	17 - 34	30 - 60	21 - 42
5 (nagyon kemény)	35 - 50	61 - 90	43 - 62

**Kizárólag mosogatógépekhez készült só használjon.**

Miután sónt öntött a készülékbe, a „SÓ UTÁNTÖLTÉSE” jelzőfény kialszik.

**Ha nem tölti fel a sótartályt, a vízlágyító és a fűtőelem a vízkő felhalmozódása miatt károsodhat.**

**Só használata bármilyen mosogatószer mellett ajánlott.**

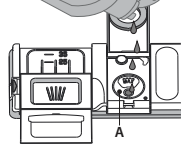
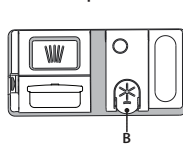
### VÍZLÁGYÍTÓ RENDSZER

A vízlágyító rendszer automatikusan csökkenti a víz keménységét, így megelőzve a vízkő felhalmozódását a fűtőszálon, így jobb mosogatási hatékonyságot biztosítva. **A rendszer sóval regenerálja magát, ezért a sótartály kiürülés esetén fel kell tölteni.** A regenerálás gyakorisága a víz keménység szintjének beállításától függ - a regenerálás 4-6 Eco ciklusként történik meg 3-ra állított víz keménység szinttel. A regenerációs folyamat a ciklus elején további friss víz hozzáadásával történik.

- Egyetlen regenerálás során a készülék: ~3 l vizet használ fel;
- A program 5 perccel tovább tart;
- Kevesebb, mint 0,005 kWh energiát használ fel.

### AZ ÖBLÍTŐSZER-ADAGOLÓ FELTÖLTÉSE

Az öblítőszerrel könnyebben SZÁRADNAK az edények. Az öblítőszeradagoló **A** akkor kell feltölteni, ha az **ÖBLÍTŐSZER UTÁNTÖLTÉSE jelzőfény** világít a kezelőpanelen.



- Nyissa ki az adagolót **B** úgy, hogy a fedélen lévő fület lenyomja, majd felfelé húzza.
- Óvatosan öntse be az öblítőszer. Ne lépje túl a tartályban jelölt maximális mennyiséget (110 ml), és ne öntse ki a folyadékot.

Ha ez mégis megtörténik, azonnal törölje fel a kiömlött folyadékot egy száraz ruhával.

- Csukja vissza a fedelet: ehhez nyomja le, amíg kattanás nem hallatszik.

**SOHA ne öntse az öblítőszer közvetlenül a mosogatóterbe.**

## Az öblítőszer adagolása

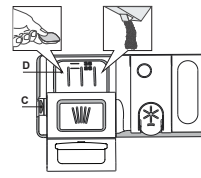
Ha nem elégedett a szárítási eredménnyel, módosítsa a használt öblítőszer mennyiségét.

Ha az öblítőszer szintjét 0-ra állítja, a készülék nem adagol öblítőszeret. Az **ÖBLÍTŐSZER UTÁNTÖLTÉSE** jelzőfény nem fog kigyulladni, amikor kifogy az öblítőszer. A mosogatógép típusától függően legfeljebb 6 szint állítható be.

- Ha kékes csíkok jelennek meg az edényeken, alacsony értéket állítson be (0-3).
- Ha vízcseppek vagy vízkő látható az edényeken, magas értéket állítson be (4-5).

## A MOSOGATÓSZER-ADAGOLÓ FELTÖLTÉSE

A mosogatószer-adagoló nyitására használja az **C** eszközt. A mosogatószer kizárólag a száraz **D** adagolóba önthető. Az előmosogatáshoz használt mosogatószert közvetlenül a mosogatótérbe helyezze.



1. A mosogatószer kimérésekor a helyes mennyiség meghatározását az eddigi információk alapján végezze. A mosogatószer-adagoló **D** belsejében elhelyezett jelzések segítenek a megfelelő mennyiség meghatározásában.
2. Törölje le a kiömlött mosogatószert az adagoló széléiről, majd zárja vissza a fedelet kattanásig.
3. Zárja vissza a mosogatószer-adagoló fedelét: húzza felfelé, amíg a zárszerkezet rögzül.

A mosogatószer-adagoló automatikusan kinyílik, amikor a program az adott szakaszba ér.

**A nem mosogatógéphez készült mosogatószer használata a készülék hibás működését vagy sérülését okozhatja.**

## MINDENNAPI HASZNÁLAT

### 1. ELLENŐRIZZE A VÍZBEKÖTÉST

Ellenőrizze, hogy a mosogatógép rá van-e kötve a vízhálózatra, és hogy a csap nyitva van-e.

### 2. KAPCSOLJA BE A MOSOGATÓGÉPET

Nyissa ki az ajtót, és nyomja meg az **BE/KI** gombot.

### 3. A KOSARAK MEGTÖLTÉSE (lásd: A KOSARAK MEGTÖLTÉSE).

### 4. A MOSOGATÓSZER-ADAGOLÓ FELTÖLTÉSE

### 5. A PROGRAM KIVÁLASZTÁSA ÉS A CIKLUS BEÁLLÍTÁSA

Válassza ki az edények típusának és szennyezettségi fokának legmegfelelőbb programot (lásd **PROGRAMOK ISMERTETÉSE**) az ahhoz tartozó **PROGRAM** gombbal.

Válassza ki a kívánt opciókat (lásd **OPCIÓK ÉS FUNKCIÓK**). Nem minden opció kompatibilis minden programmal.

### 6. INDÍTÁS

Indítsa el a mosogatósi programot: ehhez nyomja meg a **INDÍTÁS/Szünet** gombot (a LED világít), és 4 mp-en belül csukja be az ajtót. A program indulásakor egy sípolás hallatszik. Ha az ajtót nem csukja be 4 másodpercen belül, riasztás hallható. Ilyen esetben nyissa ki az ajtót, nyomja meg a **INDÍTÁS/Szünet** gombot, majd csukja vissza az ajtót 4 mp-en belül.

### 7. A MOSOGATÁSI CIKLUS VÉGE

A mosogatósi ciklus végén hangjelzés hallható, illetve a kijelzőn az **END** (VÉGE) üzenet jelenik meg. Nyissa ki az ajtót, és kapcsolja ki a készüléket az **BE/KI** gombbal.

Az égési sérülések elkerülése érdekében az edények kipakolása előtt várjon néhány percet. Vegye ki az edényeket. Először az alsó kosarat ürítse ki.

## FOLYAMATBAN LÉVŐ PROGRAM MÓDOSÍTÁSA

Ha nem megfelelő programot választott, az közvetlenül az indulás után még módosítható. **Újraindítás** a készüléket: nyomja meg és tartsa lenyomva 3 mp-nél hosszabban az **BE/KI** gombot, ekkor a készülék kikapcsol. **A kijelzőn a „0:01” érték látható.** Csukja be az ajtót, és várjon, amíg a leeresztési ciklus véget ér (kb. 1 perc). Nyissa ki az ajtót, és kapcsolja vissza a készüléket az **BE/KI** gombbal, majd válassza ki az új mosogatósi programot és a kívánt opciókat. A program indításához nyomja meg a **INDÍTÁS/Szünet** gombot, és 4 mp-en belül csukja be az ajtót.

## TOVÁBBI EDÉNYEK HOZZÁADÁSA

A készülék kikapcsolása nélkül nyissa ki az ajtót óvatosan, hogy ne folyhasson ki a víz (a **INDÍTÁS/Szünet** LED villogni kezd) (**Vigyázat: Forró gőz!**), majd helyezze be az edényeket a mosogatógépbe. Nyomja meg a **INDÍTÁS/Szünet** gombot, és 4 mp-en belül csukja be az ajtót: a program onnan folytatódik, ahol korábban megszakította azt.

## VÉLETLEN MEGSZAKÍTÁS

Ha a mosogatósi program futása közben kinyitják az ajtót, vagy elmegey az áram, a program leáll. **AMENNYIBEN MEGNYOMJA** a **INDÍTÁS/Szünet** gombot és 4 mp-en belül becsukja az ajtót, a program onnan folytatódik, ahol korábban megszakította azt.

## TANÁCSOK ÉS TIPPEK

### TANÁCSOK

A kosarak megtöltése előtt távolítsa el az ételmaradékokat az edényekről, és ürítse ki a poharakat. **Mosogatás előtt nem szükséges folyó vízzel leöblíteni az edényeket.**

Az edényeket úgy rendezze el, hogy biztosan álljanak, ne dőljenek el könnyen. Az edények nyílása lefelé nézzen, és a homorú/domború részek ferdén álljanak, hogy a víz mindenhol elérjen, és akadálytalanul folyhasson.

**Vigyázat!** A fedők, fogantyúk, tálak és serpenyők nem állítják meg a forgó szűrőkarokat.

A kisebb tárgyakat az evőeszközoszába helyezze. Az erősen szennyezett edényeket az alsó kosárba kell helyezni, mivel ott erősebb a vízpermet, azaz jobb a mosogatósi eredmény. A készülék megtöltése után ellenőrizze, hogy a szűrőkarok forgását nem akadályozza-e valami.

### GÉPBE NEM MOSOGATHATÓ EDÉNYEK

- Fából készült edények és evőeszközök.
- Kényes, díszes poharak, kézműves és antik edények. Ezek a díszítések nem bírják a gépi mosogatót.
- Szintetikus anyagból készült részek, amelyek nem bírják a magas hőmérsékletet.
- Réz- és bádgedények.
- Hamuval, viasszal, kenőzsírral vagy tintával szennyezett edények.

A poharakon lévő díszítés és az alumínium- vagy ezüstedények színe megváltozhat, kifakulhat a mosogatósi során. Egyes üvegtípusok (pl. kristályüveg) néhány mosogatósi ciklus után homályossá válhatnak.

### A POHARAK ÉS AZ EDÉNYEK KÁROSODÁSA

- A készülékbe kizárólag olyan üveg- és porcelánedények helyezhetők, amelyek a gyártó állítása szerint mosogatógépben mosogathatók.
- Az edényekhez megfelelő, kímélő mosogatószert használjon.
- Az edényeket és az evőeszközöket a mosogatósi ciklus végeztével azonnal vegye ki a mosogatógépből.

### A POHARAK ÉS AZ EDÉNYEK KÁROSODÁSA

- Ha a háztartási mosogatógépet a gyártó utasításainak megfelelően használják, az edények mosogatógépben történő mosogatása általában **KEVESEBB ENERGIÁT és vizet igényel, mint a kézi mosogatás.**
- A mosogatógép hatékonyságának maximalizálásához javasolt a **mosogatósi programot a mosogatógép teljes betöltése után indítani.** Ha a háztartási mosogatógépet a gyártó által jelzett kapacitásig tölti fel, azzal energiát és vizet takaríthat meg. Az edények helyes betöltésével kapcsolatos információt a **KOSARAK MEGRAKODÁSA** című fejezetben talál. Részleges betöltés esetén javasolt a megfelelő mosogatósi beállítást (Fél töltet / Zónamosogatás / Multizone) használni, ha lehetséges, csak a kijelölt kosarakat használva. A mosogatógép helytelen betöltése vagy túltöltése fokozhatja az erőforrások (például víz, energia és idő) felhasználását, megnövelheti a zajszintet, és csökkentheti a mosogatósi és szárítási teljesítményt.
- Az edények manuális előöblítése megnövekedett víz- és energiafogyasztást eredményezhet, és nem javasolt.

### HIGIÉNYIA

A mosogatógépben keletkező kellemetlen szag és lerakódások elkerülése érdekében legalább havonta egyszer futtasson le egy magas hőmérsékletű programot. Használjon egy teáskanál mosogatószert, és a készülék tisztításához futtassa le a programot edények nélkül.

### FAGYTÜRÉS

Ha a készüléket fagnak kitett helyen tárolják, **teljesen le kell eresztetni.** Zárja el a vízcsapot, vegye le a be- és kimeneti tömlőket, és engedje le teljesen a vizet. **Ellenőrizze, hogy a sótartályban lévő vízlágyító biztosan tele van-e oldott regenerálósóval:** így védhető meg a készülék a -20 °C-nál hidegebb hőmérséklettől. Ha a készüléket fagyos körülmények között tárolták, az első indítás előtt **legalább 24 órára** min. 5 °C-os környezeti hőmérsékletre kell helyezni.



## PROGRAMTÁBLÁZAT

Program	A programok bemutatása	Szárítási fázis	NaturalDry	Választható beállítások *)	A mosogatási program időtartama (óra:perc)**	Vízfogyasztás (liter/ciklus)	Energiafogyasztás (kWh/ciklus)
<b>Eco</b>	<b>Öko 50°</b> - Az energiatakarékos programmal átlagosan szennyezett edényeket tisztíthat, amely a kombinált energia- és vízfogyasztása miatt a leghatékonyabb program, és a segítségével kiértékelhető, hogy a készülék megfelel-e az EU energiatakarékos kiviteltre vonatkozó jogszabályának.	✓	✓		3:30	9,5	0,76
	<b>Gyors 45°</b> - Ez a program olyan kevés és enyhén szennyezett edényekhez használható, amelyek nem található rászáradt étel. Nem tartalmaz szárítási szakaszt.	-	✓		0:30 - 0:40	10,0 - 12,0	0,55 - 0,65
	<b>Üveg 45°</b> - Program az olyan kényes edényekhez, melyek az átlagnál érzékenyebbek a magas hőmérsékletre.	✓	✓		1:40 - 1:50	12,5 - 16,5	0,95 - 1,20
	<b>Auto Intenzív 65°</b> - Erősen szennyezett edények és serpenyők mosogatásához.	✓	✓		2:25 - 3:10	15,5 - 24,5	1,30 - 1,70
	<b>Auto Vegyes 55°</b> - Automatikus program normál szennyezettségű edényekhez, melyeken rászáradt ételmaradék található.	✓	✓		1:20 - 3:00	7,5 - 19,5	0,75 - 1,20
	<b>Auto Gyors 50°</b> - Automatikus program normál és enyhe szennyezettségű edényekhez. Mindennap használható program, amely rövidebb idő alatt is optimális mosogatási és szárítási eredményt nyújt.	✓	✓		1:00 - 1:50	7,5 - 15,5	0,70 - 1,10
	<b>Előmosogatás</b> - Ezt a programot olyan edényekhez használhatja, amelyeket később szeretne előmosogatni. Ehhez a programhoz nem kell mosogatószert használni.	-	✓		0:12	4,5	0,10
	<b>Öntisztítás 65°</b> - A mosogatógép karbantartására szolgáló programot csak akkor alkalmazza, ha a mosogatógép ÜRES, valamint használjon a mosogatógép karbantartására alkalmas, speciális tisztítószert.	-	-		1:15	11,0	1,10

Az ÖKO program adatainak mérése laboratóriumi körülmények között, az EN 60436:2020 európai szabvány előírásainak megfelelően történt.

Megjegyzés a vizsgálat laboratóriumok számára: az EN összehasonlító vizsgálatának körülményeivel kapcsolatos információkért írjon a következő címre: [dw\\_test\\_support@whirlpool.com](mailto:dw_test_support@whirlpool.com). Az edények előkezelése egyik programnál sem szükséges.

\*) Nem minden opció használható egyszerre.

\*\*) Az energiatakarékos programtól eltérő programokhoz megadott értékek csak tájékoztató jellegűek. A tényleges időtartam számos tényezőtől függ, mint például a belépő víz hőmérsékletétől és nyomásától, a helyiség hőmérsékletétől, a mosogatószer mennyiségétől, az edények mennyiségétől és típusától, a súlyelosztástól, a kiválasztott kiegészítő funkcióktól és az érzékelő kalibrációjától. Az érzékelő kalibrációja akár 20 perccel is növelheti a program hosszát.

## OPCIÓK ÉS FUNKCIÓK

Az OPCIÓK a program kiválasztása után kiválaszthatók/törölhetők a megfelelő gomb megnyomásával (ha van – kigyullad a jelzőfény) (lásd KEZELŐPANEL). Ha valamely opció nem kompatibilis a kiválasztott programmal (lásd: PROGRAMOK TÁBLÁZATA), a megfelelő LED háromszor gyorsan felviláglik, és sípoló hangjelzések hallhatók. Az opció nem aktív. Az opciók a program időtartamának, illetve víz- és energiafogyasztásának módosítására szolgálnak.

**FÉL TÖLTET** - Ha nincs sok mosogatnivaló, akkor a víz, az áram és a mosogatószer megtakarítása érdekében használja a FÉL TÖLTET opciót. Ne felelje, hogy ilyenkor csökkentett mennyiségű mosogatószert kell használni.

**HALK** - A készülék éjszakai működéséhez használatos. Ezzel az opcióval mérsékelhető a zajkibocsátás a mosási szakaszokban. A kiválasztott alapciklustól függően növelheti a program időtartamát.

**FERTŐTLENÍTŐ ÖBLÍTÉS** Ez az opció az előmosogatott edények fertőtlenítésére használható. Növeli az utolsó öblítés hőmérsékletét, és antibakteriális mosogatással egészíti ki a kiválasztott programot. Ideális edények és cumisüveg mosogatásához. A baktériumok elpusztítása érdekében a mosogatógép ajtaját a program teljes időtartama alatt zárva kell tartani.

**VIGYÁZAT! A ciklus végén az edények és táányérok rendkívül forróak lehetnek.**

**POWER CLEAN®** - Mivel ez a program további szórófejeket is aktivál, a mosogatás az alsó kosár egy bizonyos területén jóval erőteljesebb. Ez az opció lábasok és tálak mosogatásához ajánlott (Lásd a Power Clean® betöltése részt).

**EXTRA SZÁRAZ** - Ha az utolsó öblítés magasabb hőmérsékleten történik és a szárítás hosszabb ideig tart, azzal növelhető a szárítás hatékonysága. Az EXTRA SZÁRAZ opció kiválasztásakor nő a mosogatási ciklus hossza.

**KÉSLELTETÉS** - A program indítását 30 perctől 24 óráig terjedő időtartamig késleltetheti.

- Válassza ki a programot és a tetszőleges opciókat. A program indításának késleltetéséhez nyomja meg (többször) a KÉSLELTETÉS gombot. 30 perc és 24 óra közötti időtartam állítható be. Amikor a 24 órás időtartamot eléri, nyomja meg még egyszer a KÉSLELTETÉS gombot a KÉSLELTETÉS funkció kikapcsolásához.
- Nyomja meg a INDÍTÁS/Szünet gombot, és zárja be az ajtót 4 másodpercen belül. Az időzítő elkezd a visszaszámlálást.
- A beállított idő leteltekor kialszik a jelzőfény, és automatikusan elindul a program.

**KÉSLELTETÉS funkció nem állítható be, ha a program már fut.**

**PADLÓRA VETÍTETT IDŐ** - A padlóra vetített LED-fény jelzi a program végéig hátralévő időt. Az ajtó nyitásakor a fény kialszik. Egy program végén a fény kialszik. Ez a funkció alapértelmezés szerint aktív, de a „BEÁLLÍTÁSOK MENÜ” ki lehet kapcsolni.

**VÍZKÖMMENTESÍTÉS - Riasztás** - A készülék belső alkatrészein vízkőlerakódás érzékelhető. **Ellenőrizze**, hogy a vízkeménység beállítása megfelelő értékű-e, és hogy a sótartályban van-e só (lásd ELSŐ HASZNÁLAT), majd használja a **vízkezelő terméket** (a WPro márka javasolt) **Öntisztítás programmal**. Sikeres vízkömentesítés után az ikon eltűnik. Ha nem hajtja végre a fenti műveleteket, a készülék teljesítménye csökkenni fog. A kijelzőn villogni kezd a **Vízkömentesítés** figyelmeztetés, és megjelenik a «DES» riasztás. Ha továbbra sem végzi el a vízkömentesítést, a készülék csak bizonyos számú ciklus indítását fogja engedélyezni (a «DES» riasztással együtt jelenik meg), majd **BLOKKOLVA** lesz az alkatrészek sérülésének megelőzése érdekében, és csak az **Öntisztítás program lesz használható**. A teljes vízkömentesítés végrehajtásával feloldja a készülék blokkolását. Ha rendkívül nagy mennyiségű vízkő rakódott le, előfordulhat, hogy a vízkömentesítést kétszer kell végrehajtani a megfelelő hatékonyság érdekében.

**NaturalDry** - Olyan konvekciós szárítórendszer, amely automatikusan kinyitja az ajtót a szárítási fázis közben/után a folyamatos, kiemelkedően jó szárítási eredmény érdekében. Az ajtó csak olyan hőmérsékleten nyílik ki, amely nem károsítja a konyhaszkezkényeket, tehát a FERTŐTLENÍTŐ ÖBLÍTÉS funkció során az ajtó nem fog kinyílni. A gőz ellen további védelmet nyújt a mosogatógéphez mellékelt, külön erre a célra tervezett védőfólia. A védőfólia felhelyezésének lépéseit az ÜZEMBE HELYEZÉSI ÚTMUTATÓBAN találja. Ez a funkció alapértelmezés szerint aktív, de a „BEÁLLÍTÁSOK MENÜ” ki lehet kapcsolni.

**ÉRZÉKELÉS** - Miközben az érzékelő a szennyezettség fokát méri, animáció látható a kijelzőn (kb. 20 percig), és a program időtartama frissül. Az érzékelő funkció az edények szennyezettségi mértékének meghatározására szolgál, és minden programnál használható (az Öko kivételével): a szükséges mértékben módosítja a programot.

**A VÍZCSAP ZÁRVA VAN** - A figyelmeztetés villog, ha nincs belépő víz, vagy el van zárva a vízcsap.

## A KOSARAK MEGTÖLTÉSE

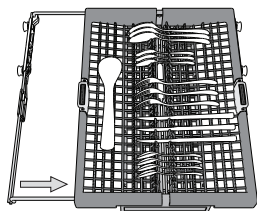
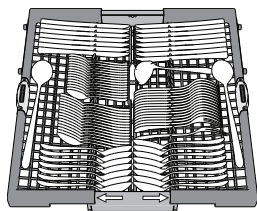
KAPACITÁS: 15 standard étkezéslet

### EVŐESZKÖZTARTÓ

A harmadik kosár az evőeszközök bepakolására szolgál. Az evőeszközöket az ábrán látható módon helyezze el. A külön gyűjtött evőeszközök a mosogatás után könnyebben kivehetők, valamint így a mosogatási és szárítási eredmény is javul.

**A késeket és egyéb éles eszközöket élükkel lefelé rakja a kosárba. A kosarat mindig az alsó kosár elejére helyezze.**

Az evőeszközkosárban található két állítható magasságú rekesz, melyek segítségével kihasználható a rendelkezésre álló alsó tér, és magasabb edények helyezhetők a felső kosárba.

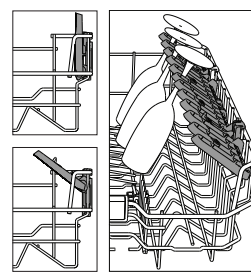


### Állítható magasságú lehajtható polcok

A kosárban lévő edények optimális elrendezése érdekében az oldalsó polcok fel- és lehajthatók. A borospoharak biztonságosan helyezhetők a lehajtható polcokra: a poharak talpát illesse a megfelelő nyílásokba.

Készüléktpustól függően:

- a polcok lehajtásához csúsztassa azokat fel és forgassa el, vagy vegye ki a rögzítőkből és húzza lefelé.
- a polcok felhajtásához forgassa azokat el és csúsztassa lefelé, vagy húzza felfelé és rögzítse.

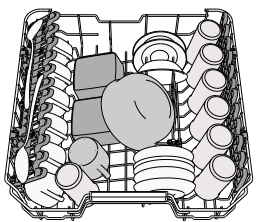


### FELSŐ KOSÁR

Ide helyezhetők a kényesebb és könnyű edények, például poharak, csészék, tálkák, kis salátástálak.

A felső kosár lehajtható tartóelemekkel rendelkezik: függőleges helyzetbe állítva csészealjakkal, kistányérokkal, leengedett helyzetbe állítva pedig tálakat, ételtartókat pakolhat be.

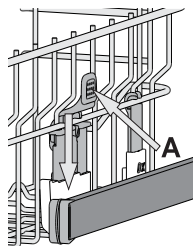
(példa a megtöltött felső kosárra)



### A felső kosár magasságának beállítása

A felső kosár magassága állítható. Ha a felső állásba állítja, az alsó kosárba nagyobb edények helyezhetők; ha az alsó állásba állítja, maximálisan kihasználhatók a lehajtható rögzítőelemek: függőlegesen több hely áll rendelkezésre, és az alsó kosárba pakolt edényeknek is elegendő hely jut.

A felső kosár magasságbeállítóval rendelkezik (lásd az ábrát). Magasabbra állításához fogja meg a kosár két oldalát, és az emelőkarok megnyomása nélkül emelje azt feljebb. A kosár a felső helyzetbe áll. Az alsó helyzetbe állításához nyomja meg a kosár két oldalán lévő emelőkarokat A, és tolja lefelé a kosarat.



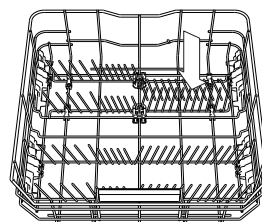
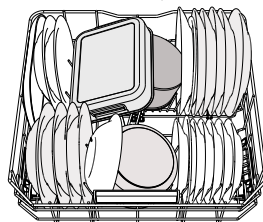
**Kifejezetten javasoljuk, hogy ne módosítsa a kosár magasságát akkor, amikor a kosárban edények találhatók.**

**A kosár lejjebb vagy feljebb helyezésekor SOHA ne csak az egyik oldal magasságát módosítsa.**

### ALSÓ KOSÁR

Ide fazekak, fedők, tányérok, salátástálak, evőeszközök stb. pakolhatók. A nagyobb tányérokat és fedőket lehetőség szerint a kosár szélére helyezze, hogy biztosan ne érjenek a szórókarokhoz.

Az alsó kosár lehajtható tartóelemekkel rendelkezik: függőleges helyzetbe állítva tányérokat, vízszintes (leengedett) helyzetbe állítva pedig tálakat, lábasokat pakolhat be egyszerűen.



(példa a megtöltött alsó kosárra)

### POWER CLEAN®

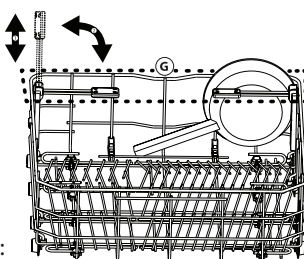
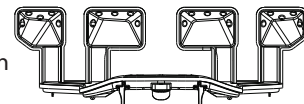
A Power Clean® során a készülék a mosogatótér hátsó része felől érkező vízsugarak segítségével intenzívebben mossa el az erősen szennyezett edényeket. Az alsó kosárban található egy ún nagyterületű zóna (Power Clean® támogatás).

Ez a speciális, kihúzható tartóelem a kosár hátsó részén található, és lehetővé teszi a serpenyők és tepsik függőleges helyzetben történő elhelyezését, amivel hely takarítható meg.

Helyezze be a gépbe a fazekakat/tálakat úgy, hogy a Power Clean® berendezés felé nézzenek, majd kapcsolja be a kezelőpanelen a POWER CLEAN® opciót.

A Power Clean® funkció használata:

1. Készítse elő a Power Clean® területet (G): hajtsa le a hátsó tányértartókat, hogy beférjenek az edények.
2. Tegye be a fazekakat és a tálakat úgy, hogy a Power Clean® terület felé dőljenek. A fazekakat a nagynyomású vízsugarak felé kell megdönteni.



## ÁPOLÁS ÉS KARBANTARTÁS

### A SZŰRŐEGYSÉG TISZTÍTÁSA

Rendszeresen tisztítsa ki a szűrőegységet, így megelőzhető a szűrők eltömődése, és a víz szabadon tud távozni.

Ha a mosogatógép használata során a szűrők el vannak tömődve, illetve ha a szűrőrendszerben vagy a szórókarokban tárgyak vannak, az a berendezés nem megfelelő működését okozhatja, ami a teljesítmény csökkenését, zajos működést vagy nagyobb erőforrás-felhasználást eredményezhet.

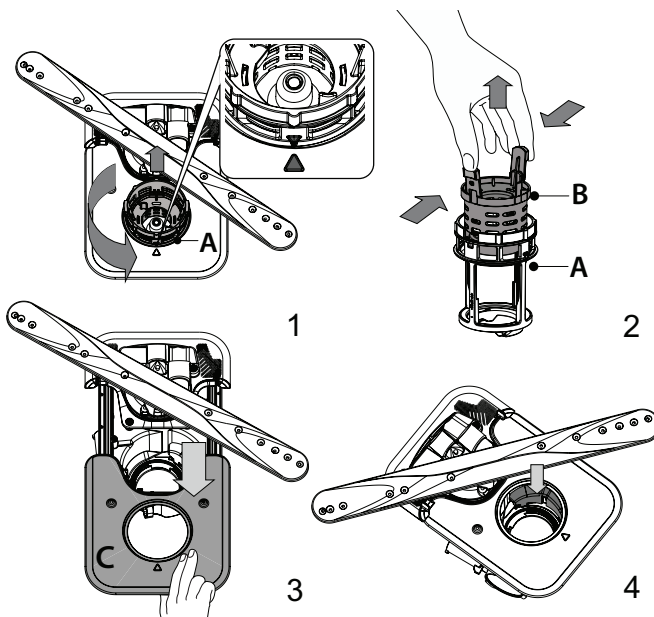
A szűrőegység három szűrőből áll, amelyek eltávolítják az ételmaradékokat a mosogatóvízből, majd visszaforgatják a vizet.

**A mosogatógép nem használható szűrők nélkül vagy meglazult szűrővel.**

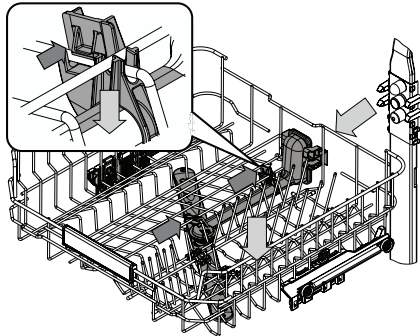
Havonta legalább egyszer vagy 30 programonként ellenőrizze a szűrőegységet, és szükség esetén tisztítsa meg alaposan folyó víz alatt, nemfémes kefével, az alábbi utasításoknak megfelelően:

1. Forgassa a henger alakú szűrőt A az óramutató járásával ellentétes irányba, majd húzza ki (1. ábra). **A szűrő visszahelyezésekor fontos, hogy a képen lévő két háromszög pontosan illeszkedjen.**
2. Vegye ki a kehely alakú szűrőt B úgy, hogy enyhén megnyomja az oldalsó füleket (2. ábra).
3. Csúsztassa ki a rozsdamentes acélból készült szűrőlemezt C (3. ábra).
4. Ha idegen tárgyat (például törött üveget, porcelánt, csontot, gyümölcsmagot stb.) talál, **óvatosan távolítsa el azt.**
5. Ellenőrizze a szűrőrészt, és távolítsa el az ételmaradékokat. **SOHA NE TÁVOLÍTSA EL a mosogatóciklust végző pumpa védőfedelét (nyíl jelzi) (4. ábra)!**

A szűrők tisztítása után helyezze vissza a szűrőegységet, és rögzítse megfelelően a helyére. Ez elengedhetetlen a mosogatógép hatékony működéséhez.

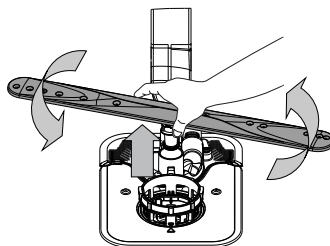


A SZÓRÓKAROK TISZTÍTÁSA

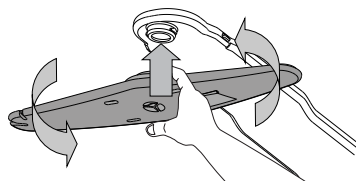


Időnként ételmaradék száradhat a szórókarokra, és eltömítheti a víz permevezésére szolgáló nyílásokat. Ezért javasoljuk, hogy rendszeresen ellenőrizze a szórókarokat, és tisztítsa meg azokat egy kisméretű, nem-fémes kefével.

A felső szórókar az elosztóval együtt vehető le.



Az alsó szórókart felfelé húzva és az óramutató járásával ellentétes irányba elforgatva lehet kivenni a helyéről. A szórókart lefelé húzva és az óramutató járásával megegyező irányba elforgatva lehet visszaszerelni.




A felső szórókart felfelé nyomva és az óramutató járásával ellentétes irányba elforgatva lehet kivenni a helyéről. A szórókart felfelé húzva és az óramutató járásával megegyező irányba elforgatva lehet visszaszerelni.

HIBAELHÁRÍTÁS

**Ha a mosogatógép nem megfelelően működik, ellenőrizze, hogy a probléma javítható-e az alábbi lista lépéseinek végrehajtásával. Más hibák vagy problémák esetében lépjen kapcsolatba a hivatalos vevőszolgálattal, amelynek kapcsolattartási adatai a garanciafüzetben találhatóak. A pótalkatrészek akár 7, akár 10 évig is rendelkezésre állnak, az adott rendelet követelményeinek megfelelően.**

HIBA	LEHETSÉGES OK	MEGOLDÁS
A sómennyiségre figyelmeztető jelzőfény világít.	A sótartály hamarosan kiürül.	Töltse fel a tartályt sóval (további információ: <i>lásd A SÓTARTÁLY FELTÖLTÉSE</i> ). Szükség esetén ellenőrizze a beállított vízkeménységet ( <i>lásd VÍZKEMÉNYSÉGI TÁBLÁZAT</i> ).
A sómennyiségre figyelmeztető jelzőfény villog.	A sótartály üres.	Minél hamarabb töltse fel a tartályt sóval. A készülék só nélkül történő használata károsíthatja annak belső alkatrészeit.
Az öblítőszer mennyiségére figyelmeztető jelzőfény világít vagy villog.	Az öblítőszer-adagoló üres. (Előfordulhat, hogy az öblítőszer mennyiségére figyelmeztető jelzőfény feltöltés után is világít egy rövid ideig).	Töltse fel a tartályt öblítőszerrel (további információ: - <i>lásd AZ ÖBLÍTŐSZER-ADAGOLÓ FELTÖLTÉSE</i> ).
A vízkömentesítésre figyelmeztető jelzőfény világít vagy villog; a „dES” figyelmeztetés látható a kijelzőn.	A készülék belső alkatrészei vízkövesednek.	Azonnal vízkömentesítse a készüléket az Öntisztítás programmal és a kereskedelmi forgalomban kapható vízkömentesítő szerrel ( <i>lásd OPCIOK ÉS FUNKCIÓK</i> ). Töltse fel a tartályt sóval. Ellenőrizze a vízkeménységre vonatkozó beállítást. Ha nem végez vízkömentesítést, a készülék le fog állni.
A mosogatógép nem indul vagy nem reagál a parancsokra.	Nem megfelelően csatlakoztatta a készüléket.	Csatlakoztassa a dugót a hálózati aljzatba.
	Áramkimaradás.	Biztonsági okokból a mosogatógép nem indul újra automatikusan az áramellátás helyreállásakor. Nyissa ki a mosogatógép ajtaját, nyomja meg a INDÍTÁS/Szünet gombot, majd 4 másodpercen belül csukja be az ajtót.
	Nincs bezárva a mosogatógép ajtaja. Nincs bepattintva az NaturalDry fül.	Erőteljesen nyomja be az ajtót, amíg kattantást nem hall.
	A program megszakadt, mivel az ajtót 4 mp-nél hosszabban nyitva tartották.	Nyomja meg a INDÍTÁS/Szünet gombot, és csukja be az ajtót 4 mp-en belül.
A mosogatógép nem ereszt le a vizet. A kijelzőn látható érték: <b>F7 E3</b> vagy <b>F9 E1</b>	Az ételmaradék vagy vízkő eltömítette a szűrőt.	Tisztítsa ki a szűrőt, és vízkömentesítse a készüléket ( <i>lásd A SZŰRŐEGYSÉG TISZTÍTÁSA és VÍZKÖMENTESÍTÉSI ÚTMUTATÓ</i> ).
	Meghajlott a leeresztő tömlő.	Ellenőrizze a leeresztőtömlőt ( <i>lásd BESZERELÉSI ÚTMUTATÓ</i> ).
	Eltömődött a mosogató lefolyócsöve.	Tisztítsa meg a mosogató lefolyócsövét.
A mosogatógép túl hangosan működik.	Az edények egymáshoz ütődnek.	Megfelelően helyezze be az edényeket ( <i>lásd A KOSARAK MEGTÖLTÉSE</i> ).
	Túl sok hab képződött.	Nem megfelelően mérte ki a mosogatószeret, vagy az nem használható mosogatógépben ( <i>lásd A MOSOGATÓSZER-ADAGOLÓ FELTÖLTÉSE</i> ). Indítsa el újra az aktuális programot az BE-KI gombbal, majd kapcsolja be ismét a készüléket, válasszon egy új programot, nyomja meg a INDÍTÁS/Szünet gombot, és csukja be az ajtót 4 másodpercen belül. Ne töltsön bele mosogatószeret.
	Nem megfelelően rendezte el az edényeket.	Rendezze el megfelelően az edényeket ( <i>lásd A KOSARAK MEGTÖLTÉSE</i> ).
Az edények nem tiszták.	Az ételmaradék vagy vízkő eltömítette a szűrőt.	Tisztítsa ki a szűrőegységet ( <i>lásd ÁPOLÁS ÉS KARBANTARTÁS</i> ).
	Nem megfelelően rendezte el az edényeket.	Rendezze el megfelelően az edényeket ( <i>lásd A KOSARAK MEGTÖLTÉSE</i> ).
	A szórókarok nem forognak szabadon, mivel az edények útban vannak.	Rendezze el megfelelően az edényeket ( <i>lásd A KOSARAK MEGTÖLTÉSE</i> ). Ellenőrizze, hogy megfelelő-e a felső kosár helyzete, és szükség esetén igazítsa meg (emelje meg).
	A mosogatási ciklus túlzottan kímélő.	Válasszon megfelelő mosogatási programot ( <i>lásd PROGRAMTÁBLÁZAT</i> ).
	Túl sok hab képződött.	Nem megfelelően mérte ki a mosogatószeret, vagy az nem használható mosogatógépben ( <i>lásd A MOSOGATÓSZER-ADAGOLÓ FELTÖLTÉSE</i> ).
	Nem megfelelően zárta vissza az öblítőszer rekeszének fedelét.	Zárja vissza az öblítőszer-adagoló kupakját.
Az ételmaradék vagy vízkő eltömítette a szűrőt.	Tisztítsa ki a szűrőt, és vízkömentesítse a készüléket ( <i>lásd A SZŰRŐEGYSÉG TISZTÍTÁSA</i> ).	
A sótartály üres.	Töltse fel a tartályt ( <i>lásd A SÓTARTÁLY FELTÖLTÉSE</i> ).	

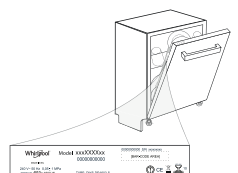
HIBA	LEHETSÉGES OK	MEGOLDÁS
A készülék nem vesz fel vizet. A kijelzőn látható érték: világító <b>H2O</b>  ; hangjelzés hallatszik.	Nem jön víz a vízvezetékéből, vagy el van zárva a vízcsap.	Ellenőrizze, hogy jön-e víz a vízvezetékéből, és a vízcsap nyitva van-e.
	Meghajlott a vízbevezető tömlő.	Ellenőrizze a vízbevezető tömlőt (lásd <b>BESZERELÉS</b> ). Nyissa ki a mosogatógép ajtaját, nyomja meg a <b>INDÍTÁS/Szünet</b> gombot, majd 4 másodpercen belül csukja be az ajtót.
	Eltömődött a vízbevezető tömlőben lévő szűrő. Ki kell tisztítani.	Ellenőrizze és tisztítsa ki a vízbevezető tömlőben lévő szűrőt. Nyissa ki a mosogatógép ajtaját, nyomja meg a <b>INDÍTÁS/Szünet</b> gombot, majd 4 másodpercen belül csukja be az ajtót.
A mosogatógép túl hamar fejezi be a programot. A kijelzőn látható érték: <b>F8 E3</b>	Az ételmaradék vagy vízkő eltömítette a szűrőt.	Tisztítsa ki a szűrőt, és vízkőmentesítse a készüléket (lásd <b>A SZŪRŐEGYSÉG TISZTÍTÁSA és VÍZKŐMENTESÍTÉSI ÚTMUTATÓ</b> ).
	A leeresztőtömlő túl alacsonyan van, vagy a háztartási szennyvízrendszerbe ereszti a vizet.	Ellenőrizze, hogy a leeresztőtömlő vége megfelelő magasságban van-e (lásd <b>BESZERELÉS</b> ). Ellenőrizze, hogy a rendszer a háztartási szennyvízrendszerbe ereszti-e a vizet, és szükség esetén szereljen be visszacsapó/légbeszívó szelepet.
	Túl sok hab képződött.	Nem megfelelően mérte ki a mosogatószert, vagy az nem használható mosogatógépben (lásd <b>A MOSOGATÓSZER-ADAGOLÓ FELTÖLTÉSE</b> ).
	Levegő van a vízvezetékben.	Ellenőrizze a tömlőt és a tömitéseket, hogy nem szívárognak-e valahol.
Az edények nem kellően szárazak.	Elfogyott vagy nem elegendő az öblítőszer.	Ellenőrizze, hogy fel van-e töltve az öblítőszer-adagoló (lásd <b>AZ ÖBLÍTŐSZER-ADAGOLÓ FELTÖLTÉSE</b> ). A többfunkciós tabletták önmagukban nem biztosítanak olyan jó szárítási eredményt, mint a folyékony öblítőszer.
	Az edényeket az ajtó automatikus nyitása után kipakolták, de ekkor még nem fejeződött be a folyamatban lévő program.	Az edények kipakolása előtt ellenőrizze, hogy befejeződött-e a program (lásd <b>MINDENNAPI HASZNÁLAT</b> ). A még jobb szárítási eredményért javasoljuk, hogy hagyja nyitva a mosogatógép ajtaját, és hagyja a készülékben az edényeket a program lejártától számított 15 percig.
	Túl egyenesen behelyezett edények.	Ha víz van a bögrék, poharak, tálak mélyedéseiben, próbálja megdöntve behelyezni az edényeket (különösen a felső rekesz esetén), így több víz le tud csöpögni a szárítás előtt.
	A kiválasztott programban nincs szárítási szakasz.	Ellenőrizze a <b>PROGRAMTÁBLÁZATBAN</b> , hogy a választott program tartalmaz-e szárítási szakaszt. Előfordulhat, hogy a szárítási szakasz nélküli programok nem a kívánt szárítási eredményt nyújtják, ezért javasolt szárítási szakasszal rendelkező programot választani.
	Az edények tapadásmentes anyagból vagy műanyagból készültek.	Normális jelenség, ha az ilyen anyagokon vízcseppek láthatók.
Az edényeken és a poharakon kék csíkok vagy kékes elszíneződés látható.	A készülék túl sok öblítőszer adagol.	Állítsa alacsonyabb fokozatra az adagolást.
Az edényeken és a poharakon vízkő vagy fehér réteg látható.	A sótartály üres.	Minél hamarabb töltsse fel a tartályt sóval. A készülék só nélkül történő használata károsíthatja annak belső alkatrészeit.
	Túl alacsony szintre van állítva a vízkeménység.	Állítson be magasabb szintet (lásd <b>VÍZKEMÉNYSÉGI TÁBLÁZAT</b> ).
	A sótartály kupakja nem megfelelően lett visszazárva.	Ellenőrizze és zárja vissza a sótartály kupakját.
	Az öblítőtartály üres, vagy a készülék nem elegendő öblítőszer adagol.	Töltsse fel a tartályt öblítőszerrel, és ellenőrizze az adagolási beállítást (további információ: lásd <b>AZ ÖBLÍTŐSZER-ADAGOLÓ FELTÖLTÉSE</b> ).
A mosogatógép kijelzőjén az <b>F8 E5</b> érték látható	Eltömődött vagy hibás szelep.	Ha lehetséges, zárja el a vízcsapot. Ne szüntesse meg a tápellátást. Hívja a vevőszolgálatot.



**A szabályzatok, a szabványos dokumentáció, a tartalékalkatrészek rendelése és a termékkel kapcsolatos további információk az alábbi elérhetőségeken találhatóak:**

- A QR-kód segítségével és látogasson el a: [docs.whirlpool.eu](https://docs.whirlpool.eu)
- Látogasson el a: [parts-selfservice.whirlpool.com](https://parts-selfservice.whirlpool.com)
- Vagy vegye fel a **kapcsolatot a vevőszolgálattal** (a telefonszámot lásd a garanciafüzetben). Amennyiben a vevőszolgálathoz fordul, kérjük, adja meg a termék adattábláján feltüntetett kódokat.

A modell adataihoz olvassa be az energiafogyasztást jelölő címkén található QR-kódot. A címkén található modellazonosító segítségével használható a regisztrációs portál <https://eprel.ec.europa.eu>.





**MANGE TAKK FOR AT DU HAR KJØPT ET WHIRLPOOL-PRODUKT.**  
For å motta assistanse som er mer fullstendig, må du registrere apparatet ditt på [www.whirlpool.eu/register](http://www.whirlpool.eu/register)

**Før du tar i bruk apparatet må du lese nøye sikkerhets- og installasjoninstruksene. Mer informasjon om produktet ditt er tilgjengelig på nettstedet: [docs.whirlpool.eu](http://docs.whirlpool.eu)**

**Etter installasjonen må du huske å fjerne alle de beskyttende delene som er brukt under transporten, fra oppvaskmaskinen.**

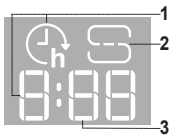
## BETJENINGSPANEL



- Knapp med indikatorlys for **PÅ-AV/Tilbakestill**
- Knapp med indikatorlampe for **Eco-program**
- Knapp med indikatorlys for **Rask program/ Forvask program** - trykk i 3 sek.
- Knapp med indikatorlys for **Krystall program/ Selvrensende program** - trykk i 3 sek.
- Knapp med indikatorlys for automatiske program - **Auto Intensiv 65°/ Auto Blandet 55°/ Auto Hurtig 50°**
- Indikatorlampe for **tom saltbeholder**
- Indikatorlys for **tom skyllemiddelbeholder**

- Display**
- Programnummer** og indikator for **gjenværende tid**
- Indikatorlampe for **Lukket Vannkran**
- Indikatorlampe for **AVKALKING**
- Knapp med indikatorlampe for **Ekstra opsjons - Halv Last/ Lydløs / Desi Skylling**
- Knapp med indikatorlampe for **Power Clean® opsjon**
- Knapp med indikatorlampe for **opsjonen Ekstra Tørr / Innstillinger** - trykk i 3 sek.
- Knapp med indikatorlampe for **opsjonen Utsatt Start**
- Knapp med indikatorlampe for **START/Pause**

## DISPLAY PÅ GULVET



- Utsettelsestid på gulvet** - angir hvor lang tid som gjenstår før start av syklusen, når opsjonen Utsatt Start er stilt inn
- Saltbeholderen er tom** - indikatorlys på gulvet
- Tid som gjenstår på gulvet** - angir hvor lang tid som gjenstår før syklusen er avsluttet

## FØRSTE GANGS BRUK

### INNSTILLINGSMENY

- Slå på apparatet ved å trykke på **PÅ-AV** (⏻) knappen.
- Hold inne knappen for **Innstillinger** (⚙️) (Ekstra Tørr ())) i 3 sekund, helt til du hører en pipelyd og displayet viser „SEt“.
- Etter ett sekund vises den første tilgjengelige innstillingen (bokstav „h“).
- Trykk **Automatiske programmer** (⏻) / **Ekstra opsjons** ())) for å bla gjennom listen over tilgjengelige innstillinger (se tabellen nedenfor), trykk deretter på knappen **START/Pause** (⏻) for å se og endre verdiene på den valgte innstillingen.
- Trykk **Automatiske programmer** (⏻) / **Ekstra opsjons** ())) for å endre verdien, trykk deretter **START/Pause** (⏻) for å lagre den nye verdien.
- For å endre en annen innstilling, gjenta punktene 2 og 5.
- Trykk **PÅ-AV** (⏻) og vent i 30 sekund for å gå ut av menyen.

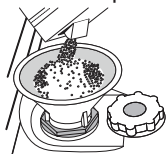
BOK-STAV	INNSTILLING	VERDIER (Standard - med fet skrift)
h	<b>Vannets hardhetsnivå</b> (se "INNSTILLING AV VANNETS HARDHETSNIVÅ" og "TABELL OVER VANNETS HARDHET")	1   2   <b>3</b>   4   5
f	<b>Skyblemiddelnivå</b> (se "JUSTERING AV DOSERINGEN AV SKYLLEMIDDEL")	0   1   2   3   4   5
□	<b>NaturalDry</b> (se "OPSJONER OG FUNKSJONER") "1" = På, "0" = Av	1   0
⏻	<b>Tid På Gulvet</b> (se "OPSJONER OG FUNKSJONER") "1" = På, "0" = Av	1   0
⏻	<b>Lyd</b> "1" = På, "0" = Av	1   0
⏻	<b>Fabrikkinnstillinger</b> Trykk <b>START/Pause</b> for å gjenopprette alle verdiene til innstillingen inkludert i innstillingsmenyen til default-verdiene fra fabrikk.	-

### FYLLING AV SALTBEHOLDEREN

Salt benyttes for å hindre at det skal danne seg KALK på serviset og på maskinens funksjonsdeler.

Saltbeholderen er plassert nede i oppvaskmaskinen (under det nedre stativet på venstre side).

- Det er obligatorisk at **SALTBEHOLDEREN ALDRI ER TOM**.
- Det er svært viktig å stille inn vannets hardhet.
- Det må etterfylles salt når indikatorlyset for **ETTERFYLLING AV SALT** (□) på kontrollpanelet lyser.



- Fjern den nederste kurven og skru løs beholderens lokk (mot urviseren).
- Plasser trakten (se figuren) og fyll på saltbeholderen helt til saltet når opp til kanten (omtrent 0,5 kg); det er ikke unormalt at det renner over litt vann.
- Kun første gang du gjør dette: fyll saltbeholderen med vann.**

4. Fjern trakten og fjern saltet som eventuelt ligger igjen rundt åpningen. Påse at lokket er skrudd godt til, slik at ikke vaskemiddel trenger ned i beholderen mens vaskeprogrammet pågår (dette kan føre til ubøtelig skade på kalkfilteret).

**Kjør et program hver gang umiddelbart etter at du har fylt salt for å unngå korrosjon.**

### Innstilling av vannets hardhetsnivå

For at kalkfilteret skal kunne arbeidet på riktig måte, er det viktig at innstillingen av vannets hardhet er basert på den faktiske hardheten i vannet til husholdningen. Denne informasjonen vil du få hos din lokale vannleverandør. Fabrikkinnstillingen er "3". Se "TABELL OVER VANNETS HARDHET".

For å endre dette, følg instruksjonene seksjonen "INNSTILLINGSMENY".

Tabell for Vannets hardhet			
Nivå	°dH Tyske grader	°fH Franske grader	°Clark Engelske grader
1 (Bløtt)	0 - 6	0 - 10	0 - 7
2 (Middels hardt)	7 - 11	11 - 20	8 - 14
3 (Gjennomsnittlig)	12 - 16	21 - 29	15 - 20
4 (Hardt)	17 - 34	30 - 60	21 - 42
5 (Svært hardt)	35 - 50	61 - 90	43 - 62

### Bruk kun salt som er spesielt beregnet for oppvaskmaskiner.

Etter at du har tømt saltet i maskinen, slukker indikatorlampen for PÅFYLLING AV SALT.

**Hvis du ikke etterfyller saltbeholderen, kan dette føre til at vannmykneren og varmelementet skades som følge av kalkdannelse. Bruk av salt anbefales uansett hvilken type oppvaskmiddel som brukes.**

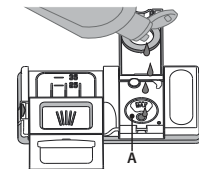
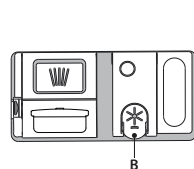
### VANNMYKNER

Vannmykneren reduserer automatisk vannets hardhet, dermed hindres kalkdannelse på varmeren, i tillegg til at effektiviteten ved renhold økes. **Dette systemet regenereres med salt, derfor må saltbeholderen fylles når den er tom.** Hvor ofte regenereringen utføres avhenger av innstillingen av vannets hardhetsnivå - regenereringen skjer én gang hver 4-6 Eco-syklus når vannets hardhetsnivå er stilt inn på 3. Regenereringsprosessen skjer på begynnelsen av syklusen med ekstra friskt vann.

- Enkel regenerering forbruker: ~3 l vann;
- Varer 5 minutter lenger enn vanlig syklus;
- Forbruker mindre enn 0.005 kWh energi.

### FYLLING AV DISPENSER MED SKYLLEMIDDEL

Skyblemiddel gjør at serviset TØRKER lettere. Dispenseren for skyblemiddel A bør etterfylles når **indikatorlampen for ETTERFYLLING AV SKYLLEMIDDEL** (⚡) på kontrollpanelet lyser.



- Åpne dispenseren **B** ved å trykke og dra klaffen på dekket oppover.
- Hell forsiktig i skyblemiddel helt til det når merket for maksimalt nivå (110 ml) for etterfylling - ikke søl. Dersom du søler, må du øyeblikkelig tørke med en tørr klut.

3. Trykk klaffen nedover til du hører et klikk for å lukke den.  
**Du må ALDRI tømme skyblemiddel direkte over i oppvaskmaskinen.**

## Justering av doseringen av skyllemiddel

Dersom du ikke er helt fornøyd med tørkeresultatet, kan du justere mengden med skyllemiddel som er brukt.

For å endre dette, følg instruksjonene seksjonen "INNSTILLINGSMENY".

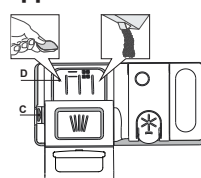
Dersom nivået for skyllemiddel er stilt inn på NULL, fylles det ikke på skyllemiddel. Indikatorlampen for **LAVT NIVÅ AV SKYLLEMIDDEL** tennes ikke dersom det går tomt for skyllemiddel.

Det kan maksimalt stilles inn 6 nivå avhengig av oppvaskmaskinens modell.

- Dersom du ser blåaktige streker på tallerkenene, må du stille inn på et lavere nummer (0-3).
- Dersom det er vandrdåper eller kalkmerker på tallerkenene, må du stille inn et høyere nummer (4-5).

## FYLLING AV OPPVASKMIDDEL I DISPENSEREN

For å åpne oppvaskmiddeldispenseren bruk innretningen for åpning C. Hell oppvaskmiddel kun i den tørre dispenseren D. Legg mengden oppvaskmiddel for forvask direkte inn i oppvaskmaskinen.



1. Når du måler oppvaskmiddelet, se informasjonen som er nevnt over, for å tilføre riktig mengde. Inne i beholder **D** finnes det anvisninger som kan hjelpe deg med å dosere oppvaskmiddelet.
2. Fjern rester etter oppvaskmiddel fra kantene på dispenseren og lukk igjen dekselet helt til det klikker på plass.
3. Lukk dekselet til dispenseren med oppvaskmiddel ved å dra det opp til anordningen for sperre er festet på plass.

Oppvaskmiddel dispenseren åpner seg automatisk til rett tid avhengig av programmet.

**Dersom en bruker vaskemiddel som ikke er beregnet på oppvaskmaskiner kan dette føre til at maskinen ikke vasker som den skal eller skade apparatet.**

## DAGLIG BRUK

### 1. KONTROLLER VANNILKOPLINGEN

Kontroller at oppvaskmaskinen er tilkoblet vannforsyningen og at vannkran er åpen.

### 2. SLÅ PÅ OPPVASKMASKINEN

Åpne døren og trykk på **PÅ/AV** knappen.

### 3. LAST KURVENE (se LASTING AV KURVENE).

### 4. FYLLING AV DISPENSER FOR OPPVASKMIDDEL

### 5. VELG PROGRAMMET OG TILPASS SYKLUSEN

Velg det best egnede programmet avhengig av type av type servise og hvor skittent dette er (se *PROGRAMBESKRIVELSE*) ved å trykke på den valgte **PROGRAM** knappen. Velg opsjonene du ønsker (se *OPPSJONER OG FUNKSJONER*). Ikke alle opsjoner er kompatible med alle programmene.

### 6. START

Start vaskesyklusen ved å trykke på **START/Pause** knappen (led tennes) og lukke døren i løpet av 4 sek. Når programmet starter hører du et enkelt pip. Dersom døren ikke lukkes innen 4 sek., vil du høre alarmlyden. I dette tilfellet, åpne døren, trykk på **START/Pause** knappen og lukk døren igjen i løpet av 4 sek.

### 7. AVSLUTTET VASKESYKLUS

Avsluttet vaskesyklus indikeres ved en lyd og display viser **END** (slutt). Åpne døren og slå av apparatet ved å trykke på **PÅ/AV** knappen. Vent noen få minutter før du fjerner serviset - for å unngå å brenne deg. Ta ut av kurvene, begynn med den nederste.

## ENDRING AV ET PÅGÅENDE PROGRAM

Dersom et feil program ble valgt, er det mulig å endre det, forutsatt at det nettopp har begynt. **TILBAKESTILL** maskinen: trykk og hold nede **PÅ/AV** knappen i mer enn 3. sek., og maskinen vil slå seg av. **Dashbord vil vise "0:01"**. Lukk døren og vendt til tømningen avsluttes (omtrent 1 minutt). Åpne døren og slå maskinen på igjen ved å bruke **PÅ/AV** knappen og velg den nye vaskesyklusen og en hvilken som helst ønsket opsjon. Start syklusen ved å trykke på **START/Pause** knappen og lukke døren i løpet av 4 sek.

## INNLEGGING AV EKSTRA SERVIS

Uten å slå av maskinen, åpne døren, først forsiktig, for å unngå at vann spruter ut (**START/Pause** led begynner å blinke) (**Forsiktig! Varm damp!**) og plasser serviset inn i oppvaskmaskinen. Trykk på **START/Pause** knappen og lukk døren i løpet av 4 sek., syklusen vil starte fra det punktet hvor den ble avbrutt.

## UTILSIKTEDE AVBRYTELSE

Dersom døren åpnes mens vaskesyklusen pågår, eller ved strømbrydd, vil syklusen stanse. **KUN DERSOM DU TRYKKER PÅ START/Pause knappen** og lukker døren i løpet av 4 sek., vil syklusen gjenopptas fra det punktet det ble avbrutt.

## RÅD OG TIPS

### TIPS

Før du laster kurvene, må du fjerne rester av mat fra serviset og tømme glassene. **Du trenger ikke å skylle på forhånd under rennende vann.**

Ordne serviset, slik at den holdes på plass og ikke tipper over; og plasser karene slik at åpningen vender nedover og den konkave/konvekse delen plasseres skrått, slik at vannet kan nå enhver overflate og flyte fritt.

**Advarsel:** lokk, håndtak, kurver og stekepanner må ikke hindre spylerearmene i å rotere.

Plasser alle små gjenstander i bestikkurven.

Svært solide tallerkener og kar må plasseres i den nedre kurven, fordi vannspruten er kraftigere og ytelsen er bedre.

Etter at du har lastet apparatet, påse at spylerearmene roterer fritt.

### IKKE EGNET SERVIS

- Servise eller bestikk i tre.
- Ømfintlige og dekorerte glass, artistiske håndverk og antikk servise. Disse dekorasjonene er ikke motstandsdyktige.
- Deler i syntetisk material som ikke tåler høye temperaturer.
- Servise i kobber og tinn.
- Servise som er skittent med aske, voks, smøremiddel eller blekk.

Fargene til glassdekorasjonene og deler i aluminium/ sølv kan endre seg og falme i løpet av vaskesprosessen.

Noen typer glass (f.eks. krystallgjenstander) kan bli opake etter et visst antall vaskesykluser.

### SKADE PÅ GLASS OG SERVIS

- Bruk kun glass og porselen som produsenten garanterer for at kan vaskes i oppvaskmaskin.
- Bruk et skånsomt oppvaskmiddel for servise for å unngå hvite striper på glasset.
- Ta glass og servise ut av vaskemaskinen straks vaskesyklusen er over.

## TIPS FOR Å SPARE ENERGI

- Når husholdningens oppvaskmaskin brukes i henhold til produsentens instruksjer, **forbruker en vanligvis MINDRE ENERGI og vann ved å vaske tallerkenene i oppvaskmaskinen enn ved å vaske de for hånd.**
- For å maksimere effektiviteten til oppvaskmaskinens **anbefaler en å starte vaskesyklusen når oppvaskmaskinen er full.** Ved å laste oppvaskmaskinen helt full i henhold til produsentens indikasjonen vil en spare både energi og vann. Informasjon med hensyn til riktig lasting av servise vil du finne i kapittelet LASTING AV KURVENE. Dersom oppvaskmaskinen kun lastes delvis (Halv last/ Sonevask/ Fler-sone), ved å fylle opp de valgte kurvene. Ikke riktig lasting eller for full oppvaskmaskin vil kunne øke forbruket av ressurser (som vann, energi og tid, i tillegg til at støynivået øker), med dårligere resultat ved renhold og tørking.
- Manuell skylling av serviset på forhånd fører til økt forbruk av vann og energi og anbefales derfor ikke.

## HYGIENE

For å unngå lukt og avsetninger som kan samle seg i oppvaskmaskinen, **må du benytte et program med høy temperatur minst én gang i måneden.** Bruk en teskje med oppvaskmiddel og la den gå uten tallerkener og servise for å gjøre apparatet rent.

## FROSTMOTSTAND

Dersom maskinen er plassert i et rom med frostfare, må den **dreneres fullstendig.** Steng vannkranen, skru løs tilførsels- og avløpslangen og la vannet renne ut. Pass på at vannmykneren er full av oppløst regneringssalt i saltbeholderen, for å beskytte apparatet mot temperaturer ned til -20°C. Dersom apparatet ble lagret i omgivelser med minusgrader, må det stå i en omgivelsestemperatur på minst . 5°C i **minst 24 timer** før det kan tas i bruk første gang.

## PROGRAMTABELL

Program	Programbeskrivelse	Tørkefase	NaturalDry	Tilgjengelige opsjoner *)	Vaske-syklusens varighet (h:min)**)	Vannforbruk (l/syklus)	Energiforbruk (kWh/syklus)
<b>Eco</b>	ØKO 50° - Eco-programmet egner seg for å vaske normalt skittent servise, og for denne bruken er det det mest effektive programmet med hensyn til energi- og vannforbruk. Det er brukt for å vurdere overensstemmelsen med EU sin Ecodesign lovgivning.	✓	✓		3:30	9,5	0,76
	<b>Rask</b> 45° - Programmet anbefales for begrenset mengde av lett skitne tallerkener uten tørre matrester. Inkluderer ikke tørkefasen.	-	✓		0:30 - 0:40	10,0 - 12,0	0,55 - 0,65
	<b>Krystall</b> 45° - Syklus for ømfintlige gjenstander, som er følsomme for høye temperaturer, for eksempel glass og kopper.	✓	✓		1:40 - 1:50	12,5 - 16,5	0,95 - 1,20
	<b>Auto Intensiv</b> 65° - Automatisk program for svært skitne tallerkener og kjeler.	✓	✓		2:25 - 3:10	15,5 - 24,5	1,30 - 1,70
	<b>Auto Blandet</b> 55° - Automatisk program for normalt skitne tallerkener med tørre matrester.	✓	✓		1:20 - 3:00	7,5 - 19,5	0,75 - 1,20
	<b>Auto Hurtig</b> 50° - Automatisk program for normalt og lett skitne tallerkener. Syklusen som benyttes i hverdagen, som sikrer optimal vasking og tørking på kortere tid.	✓	✓		1:00 - 1:50	7,5 - 15,5	0,70 - 1,10
	<b>Forvask</b> - Brukt til å friske opp servise som en har planer om å vaske senere. Ingen oppvaskmiddel skal brukes med dette programmet.	-	✓		0:12	4,5	0,10
	<b>Selvrensende</b> 65° - Program som skal benyttes for å utføre vedlikehold av oppvaskmaskinen, må kun utføres når oppvaskmaskinen er TOM ved å benytte egne vaskemiddel spesielt beregnet på vedlikehold av oppvaskmaskinen.	-	-		1:15	11,0	1,10

ØKO program data er målt i henhold til betingelsene i et laboratorium i henhold til Europeisk Standard EN 60436:2020.

Merknad for testlaboratoriene: Opplysninger om betingelsene for EN-sammenligningstesten kan fås ved å sende en forespørsel til e-postadresse: [dw\\_test\\_support@whirlpool.com](mailto:dw_test_support@whirlpool.com)

Forhåndsbehandling av tallerkenene er ikke nødvendig for noen av programmene.

\*) Ikke alle opsjonene kan benyttes samtidig.

\*\*) Verdiene som er oppgitt for programmene bortsett for Eco-programmet er kun veiledende. Den virkelige tiden kan variere avhengig av forskjellige faktorer som temperatur og trykket i vanntilførselen, romtemperatur, mengden oppvaskmiddel, mengde og type last, lastens fordeling, ekstra opsjoner som er valgt og sensors justering. Sensors justering kan forlenge programmets varighet med opp til 20 min.

## OPSJONER OG FUNKSJONER

**OPSJONER kan velges / velges vekk, etter at programmet er valgt, direkte ved å trykke på den tilhørende knappen (hvis tilgjengelig - indikatorlampe tennes) (se KONTROLLPANELET). Dersom en opsjon ikke er kompatibel med den valgte programmet (se PROGRAMTABELL), vil tilhørende LED blinke hurtig 3 ganger og du vil høre en pipe-lyd. Opsjonen vil ikke være tilgjengelig. En opsjon kan endre tid eller vann eller energiforbruk for programmet.**

**HALVLAST** - Dersom det ikke er mange tallerkener som skal vaskes, benyttes HALV LAST for å spare vann, elektrisitet eller tid avhengig av det valgte programmet. **Husk å redusere mengden oppvaskmiddel.**

**STILLE** - Egner seg når apparatet brukes om natten. Denne opsjonen kan benyttes for å begrense støytstøt under vaskefasene. Den vil øke syklusens tid avhengig av basissyklusen som er valgt.

**DESI SKYLLING** - Denne opsjonen kan benyttes for å hygienisere tallerkenene som er vasket. Den vil øke temperaturen ved avsluttende skylling og tilføre det valgte programmet antibakterisk vask. Ideell for rengjøring av stentøy og tåteflasker. Oppvaskmaskindøren må holdes lukket hele tiden mens programmet går for å garantere reduksjon av bakterier. **ADVARSEL: servise og tallerkener kan være ekstremt varme på slutten av syklusen.**

**POWER CLEAN®** - De ekstra dysene gjør at dette tilvalget gir mer intensiv og kraftig vask i den nedre kurven, i det bestemte området. Denne opsjonen anbefales for vask av gryter og panner (Vennligst se Power Clean®-avsnittet om lasting).

**EKSTRA TØRR** - En høyere temperatur under den avsluttende skyllingen og den forlengede tørkefasen forbedrer tørkingen. Opsjonen for EKSTRA TØRR fører til forlengelse av vaskesyklusen.

**UTSETTELSE** - Tidspunktet for start av programmet kan utsettes i en tidspenode som varierer på mellom **0:30 og 24** timer.

- Velg program og eventuelle tilleggsfunksjoner. Trykk på UTSETT-knappen (gjentatte ganger) for å utsette programstart. Regulerbar fra 0:30 til 24 timer. Når den 24 timers innstillingen er nådd, trykk på UTSETTELSE på nytt for å deaktivere UTSETTELSE-funksjonen.
- Trykk på START/Pause knappen og lukk døren i løpet av 4 sek. Timer vil begynne nedtelling.
- Når denne tiden er utløpt, slås indikatorlampen av og programmet starter automatisk.

**Funksjonen UTSETTELSE kan ikke stilles inn etter at programmet har startet.**

**TID PÅ GULVET** - Et LED-lys som projiseres på gulvet angir tiden som gjenstår før syklusen avsluttes. Lyset slukker hver gang døren åpnes. Lyset slukker når syklusen avsluttes. Denne funksjonen er aktiv som standard, men det er mulig å deaktivere den i "INNSTILLINGSMENYEN".

**AVKALKING - Alarm** - Det er oppdaget kalkavsetninger på de indre komponentene til apparatet. Kontroller at **Innstillingen for Vannets Hardhet** er riktig og at det finnes **salt** i saltbeholderen (se FØRSTE GANGS BRUK), bruk deretter et avkalkingsprodukt (WPro-merket anbefales) med **programmet Selvrensende**. Etter vellykket utføring av avkalkingen, vil ikonet ikke lenger lyse. Dersom handlingene ovenfor ikke utføres, vil produktets ytelse reduseres. Advarselen AVKALKING begynner å blinke og alarmen «DES» vises på display. Dersom ingen handling tas, vil apparatet tillate at kun et visst antall sykluser kan startes (angitt ved «DES» alarm på display) deretter **BLOKKERES** apparatet for å hindre at det påføres skade på komponenter, **kun programmet Selvrensende vil være tilgjengelig**. Produktet frigjøres etter at det er utført en fullstendig avkalking. Ved svært store mengder kalk, kan det være nødvendig å utføre avkalkingen to ganger for at det skal være effektivt.

**NaturalDry** - Er et system for konveksjonstørking som automatisk åpner døren under/etter tørkefasen for å sikre utmerket tørkeresultat hver dag. Døren åpnes ved en temperatur som er sikker for kjøkkeninnredningen, dermed vil ikke døren åpnes når opsjonen DESI SKYLLING er på. Som ekstra beskyttelse mot damp, følger spesialdesignet beskyttelsesfolie sammen med oppvaskmaskinen. For å se hvordan det isolerende beskyttelsesfolie skal monteres se **INSTALLASJONSVEILEDNINGEN**. Denne funksjonen aktiveres som default, men det er mulig å deaktivere den i "INNSTILLINGSMENYEN".

**AVSØKING** - Når sensoren registrerer hvor skitne tallerkenene er, vises en animasjon på displayet (rundt 20 min.) og syklusens varighet oppdateres. Avsøkingen gjelder for hvor skitne tallerkenene er og er til stede for alle syklusene (bortsett fra ØKO) og justerer programmet etter behov.

**LUKKET VANNKRAN - Alarm** - Blinker når det ikke er vanninntak eller vannkranen er lukket.

## LASTING AV KURVENE

KAPASITET: 15 standard kuverter

### BESTIKKURV

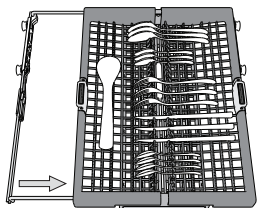
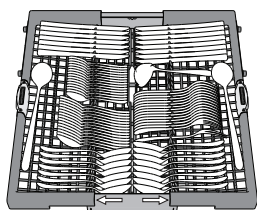
Den tredje kurven ble utformet for å inneholde bestikket.

Plasser bestikket som vist i illustrasjonen.

En adskilt plassering av bestikket gjør det lettere å samle det inn etter at det er vasket i tillegg til at det vasker og tørker det bedre.

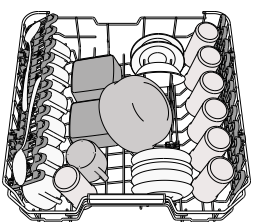
### Kniver og andre kjøkkenredskap må plasseres med bladene vendt nedover.

Bestikkurven er utstyrt med glidene brett som gjør det beste ut av høyden til plassen under og gjør det mulig å plassere høye gjenstander i den øvre kurven.



### ØVRE KURV

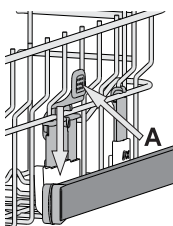
Last ømfintlige og lette tallerkener: glass, kopper, tallerkener og lave salatboller. Den øverste kurven har støtter som brettes opp og som kan anvendes i vertikal posisjon når te/dessertboller plasseres eller lav posisjon for å stable salatboller og bokser.



(eksempel på lastning av den øvre kurven)

### Regulering av høyden til den øvre kurven

Høyde til den øvre kurven kan reguleres: høy posisjon for å plassere uregelmessig servise i den nedre kurven og lav posisjon for å gjøre mest mulig ut av de sammenleggbare klaffene ved å skape mer plass i høyden og å unngå kollisjon med gjenstander som er lastet i den nedre kurven. Den øvre kurven er utstyrt med en **Anordning for høyderregulering av øvre kurv** (se figur), uten å trykke på spakene, løft den ganske enkelt opp ved å holde på sidene til kurven, så snart kurven er stabil i øvre posisjon. For å gjenopprette den nedre posisjonen, trykk på spakene **A** på sidene til kurven og beveg kurven nedover.



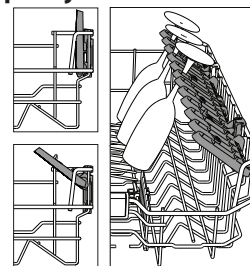
**Vi fraråder deg på det sterkeste å regulere høyden til brettet når den er lastet. Du må ALDRI heve eller senke kurven kun på én side.**

### Sammenleggbare klaffer med regulerbar posisjon

De sammenleggbare klaffene på siden kan klappes ut eller klappes sammen for å optimere plasseringen av serviset i kurven. Vingglass kan plasseres sikkert i de sammenleggbare klaffene ved å sette stemmen til hvert glass inne i de tilhørende åpningene.

Avhengig av modellen:

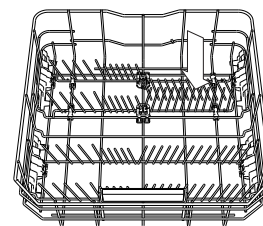
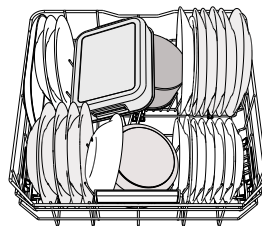
- for å slå ut klaffene er det nødvendig å skyve den opp og rotere den eller frigjøre den fra hektene og trekke den ned.
- for å klappe sammen klaffene er det nødvendig å rotere den og la klaffen gli ned eller dra den opp og feste klaffen til hektene.



### NEDRE KURV

For gryter, lokk, tallerkener, salatboller, bestikk etc. Store tallerkener og lokk bør ideelt sett plasseres på sidene for å unngå at de kommer i veien for spylerarmen.

Den nederste kurven har støtter som vendes oppover og som kan anvendes i vertikal posisjon når tallerkener plasseres eller horisontal posisjon (nedre) for å stable kjeler og salatboller på en enkel måte.



(eksempel på stabling av den nedre kurven)

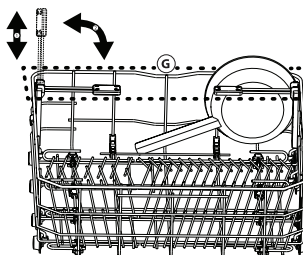
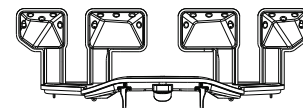
### POWER CLEAN®

Power Clean® bruker de spesielle vandydene bak i rommet for å vaske høye, skitne gjenstander bedre. Ved å plassere kjeler/gryter vendt mot Romområdet komponentene vennligst aktivere **POWER CLEAN** på panelet.

Den nedre kurven har et Romområde, en spesiell utdragsstøtte bakerst i kurven som kan benyttes til å støtte stekepanner eller bakepanner i stående posisjon slik at de tar opp mindre plass.

Hvordan bruke Power Clean®:

1. Klargjør Power Clean®-området **G** ved å fold ned de bakre tallerkenholderne for å legge inn gryter.
2. Legg inn gryter og kokereidkaper på skrå i Power Clean®-området. Gryter må plasseres på skrå mot vannstrålene.



## PLEIE OG VEDLIKEHOLD

### RENHOLD AV FILTERENHETEN

Gjør filterenheten ren med jevne mellomrom slik at filtrene ikke tettes til og slik at avløpsvannet flyter vekk på riktig måte.

Bruk av oppvaskmaskinen med tette filtre eller fremmedlegemer inne i filterets system eller sprayarmer vil kunne føre til at enheten ikke fungerer som den skal og dårligere resultat, mer støy eller økt ressursforbruk.

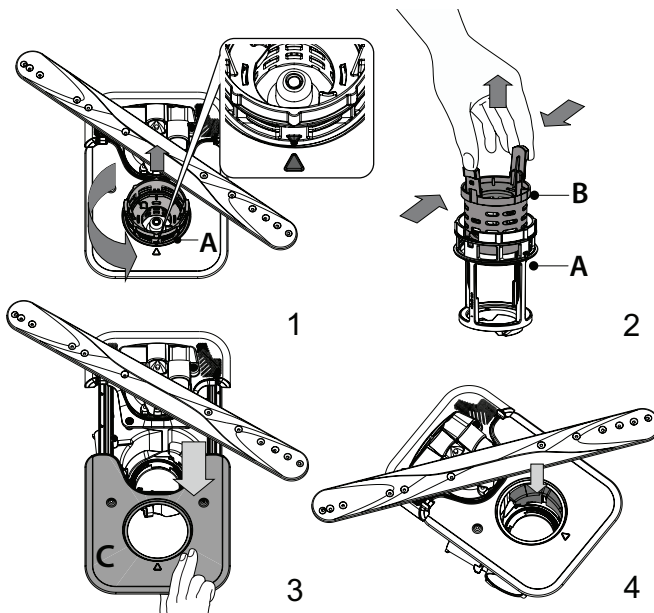
Filterenheten består av tre filtre som fjerner matrester fra vaskevannet og som resirkulerer vannet. De må være rene dersom du ønsker best mulig resultat ved hver vask.

**Oppvaskmaskinen må ikke benyttes uten filter eller dersom filteret er løst.**

Minst én gang i måneden eller etter 30 sykluser, må du kontrollere filterenheten og gjøre den grundig ren under rennende vann dersom det er nødvendig, bruk en børste som ikke er av metall og følg instruksene nedenfor:

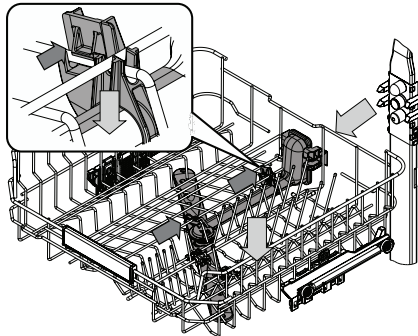
1. Snu det sylindriske filteret **A** i retningen mot urviseren og dra det ut. (Figur 1). **Når du installerer filteret på nytt er det viktig at de to trekantene som er vist på zoom møtes.**
2. Fjern koppfilteret **B** ved å utøve et lettere trykk på klaffene på siden (Figur 2).
3. Skyv ut filterplaten **C** i rustfritt stål (Figur 3).
4. Dersom du finner fremmedlegemer (som glassbiter, porselen, bein, fruktsteiner osv.) må disse fjernes forsiktig.
5. Inspiser fellen og fjern matrestene som måtte ha satt seg fast. **FJERN ALDRI** beskyttelsen til vaske-syklus pumpen (vist ved en pil) (Figur 4).

Etter at du har gjort filtrene rene, sett filterenheten tilbake på plass og juster den i riktig posisjon; dette er helt nødvendig for å oppnå effektiv drift av oppvaskmaskinen.



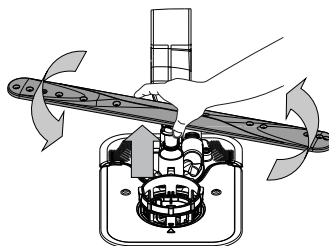


RENHOLD AV SPYLERARMENE

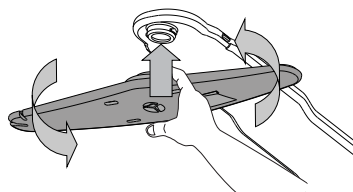


I noen tilfeller kan matrester sette seg fast på sprayarmene og blokkere hullene som vannet sprutes igjennom. Derfor bør du fra tid til annen kontrollere armene og gjøre de rene med en liten børste som ikke er av metall.

For å fjerne den øvre sprayarmen må du fjerne den sammen med manifold.



Den nedre sprayarmen kan fjernes ved å trekke den oppover og rotere den mot urviseren. Sprayarmen monteres tilbake ved å dra den ned og rotere den med urviseren.




Den øvre sprayarmen kan fjernes ved å trekke den oppover og rotere den mot urviseren. Sprayarmen monteres tilbake ved å dra den oppover og rotere den med urviseren.

FEILSØKINGS

Dersom oppvaskmaskinen din ikke fungerer som den skal, kontroller hvorvidt problemet kan løses ved å gå igjennom listen nedenfor. For andre feil eller problem, vennligst ta kontakt med godkjent Ettersalgsservice, kontaktadresse og telefonnummer vil du finne i garantiheftet. Reserverdeler vil være tilgjengelig i en periode på enten 7 eller 10 år, i henhold til de spesifikke kravene i forskriftene.

PROBLEM	MULIGE ÅRSAKER	LØSNINGER
Saltindikatoren lyser	Saltbeholderen er nesten tom.	Fyll på mer salt i beholderen (for mer informasjon – se Fylling av saltbeholder). Kontroller innstillingen av vannets hardhetsnivå, dersom det er nødvendig - se Innstilling av vannets hardhetsnivå.
Saltindikatoren blinker	Saltbeholderen er tom.	Etterfyll beholderen med salt så snart som mulig. Dersom du bruker apparatet uten salt kan det oppstå skader på de innvendige komponentene.
Skyllemiddelindikatoren lyser eller blinker	Skyllemiddelbeholderen er tom. (Det er mulig at skyllemiddelindikatoren fortsetter å lyse i en kort tid).	Fyll på mer skyllemiddel i beholderen (for mer informasjon – se Fylling av dispenser med skyllemiddel).
Avkalkingsindikatoren lyser eller blinker; „dES“ alarm vises.	Kalk samler seg på de interne komponentene til apparatet.	Avkalk apparatet øyeblikkelig ved å benytte programmet Selvrensende og et avkalkingsprodukt som er tilgjengelig i handelen (se Opsjoner og funksjoner). Fyll beholderen med salt. Kontroller innstilling av vannets hardhet. Dersom apparatet ikke avkalkes, vil det ikke lenger virke.
Oppvaskmaskinen starter ikke eller den svarer ikke på kommandoene.	Apparatet er ikke riktig koplet til strømnettet.	Sett støpselet riktig inn i kontakten.
	Strømbrytning.	Av sikkerhetsmessige årsaker er det mulig at oppvaskmaskinen ikke starter opp igjen automatisk når strømmen kommer tilbake. Åpne oppvaskmaskinens dør, trykk på START/Pause-knappen og lukk døren igjen i løpet av 4 sek.
	Døren til oppvaskmaskinen er ikke lukket godt igjen. Pluggen NaturalDry er ikke trukket inn.	Dytt døren kraftig igjen til du hører et "klikk".
	En syklus er avbrutt ved at døren står åpen i mer enn 4 sekund.	Trykk START/Pause og lukk døren i løpet av 4 sekund.
Oppvaskmaskinen drenerer ikke. Displayet viser: F7 E3 eller F9 E1	Filteret er tettet til med matrester eller kalk.	Gjør rent filteret og avkalk apparatet (se Renhold av filterenheten og Avkalkingsinstruksjoner).
	Avløpsslangen er bøyd.	Kontroller dreneringsslangen (se Installasjonsveiledning).
	Vaskens avløp er tett.	Gjør ren avløpet til vasken.
Oppvaskmaskinen skaper for mye støy.	Tallerkenene berører hverandre.	Plasser serviset på riktig måte (se Lasting av kurvene).
	Det dannes for mye skum.	Det er ikke målt riktig mengde oppvaskmiddel eller oppvaskmiddelet er ikke egnet for oppvaskmaskiner (se Fylling av oppvaskmiddel i dispenser). Start den aktuelle syklusen på nytt ved å slå AV oppvaskmaskinen, slå den deretter på igjen, velg et nytt program, trykk på START/Pause og lukk døren innen 4 sekund. Ikke tilsett noe oppvaskmiddel.
	Serviset er ikke stablet på riktig måte.	Plasser servise på riktig måte (se Lasting av kurvene).
	Filteret er tettet til med matrester eller kalk.	Gjør ren filterenheten (se Pleie og vedlikehold).
Tallerkenene er ikke rene.	Serviset er ikke stablet på riktig måte.	Plasser servise på riktig måte (se Lasting av kurvene).
	Sprayarmene roterer ikke fritt, de hindres av tallerkenene.	Plasser servise på riktig måte (se Lasting av kurvene). Kontroller at den øvre kurven er i riktig posisjon og juster den (løft opp) dersom det er nødvendig.
	Vaskesyklusen er for skånsom.	Velg egnet vaskesyklus (se Programtabelle).
	Det dannes for mye skum.	Det er ikke målt riktig mengde oppvaskmiddel eller oppvaskmiddelet er ikke egnet for oppvaskmaskiner (se Fylling av oppvaskmiddel i dispenser).
	Lokket på dispenseren for skyllemiddel er ikke skikkelig lukket.	Påse at lokket til dispenseren for skyllemiddel er lukket.
	Filteret er tettet til med matrester eller kalk.	Gjør rent filteret og utfør avkalking av apparatet (se Renhold av filterenheten).
Saltbeholderen er tom.	Fyll saltbeholderen (se Fylling av saltbeholder).	

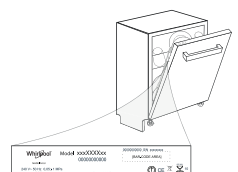
PROBLEM	MULIGE ÅRSAKER	LØSNINGER
Oppvaskmaskinen tar ikke inn vann. Displayet viser: <b>H2O</b> og  lyser akustisk alarm piper.	Det finnes ikke vann i vannforsyningen eller kranen er stengt.	Påse at det er vann i vannforsyningen eller at kranen er åpen.
	Slangen for vanninntak er bøyd.	Kontroller inntaksslangen (se <i>INSTALLASJON</i> ). Åpne oppvaskmaskinens dør, trykk på START/Pause-knappen og lukk døren igjen i løpet av 4 sek.
	Silen i slangen for vanninntak er tett; det er ikke nødvendig å gjøre den ren.	Kontroller og gjør ren silen i slangen for vanninntak. Åpne oppvaskmaskinens dør, trykk på START/Pause-knappen og lukk døren igjen i løpet av 4 sek.
Oppvaskmaskinen avslutter syklusen for tidlig. Displayet viser: <b>F8 E3</b>	Filteret er tettet til med matrester eller kalk.	Gjør rent filteret og avkalk apparatet (se <i>RENHOLD AV FILTERENHETEN</i> og <i>AVKALKINGSINSTRUKSER</i> ).
	Dreneringsslangen er plassert for lavt eller avledet i husholdningens kloakksystem.	Kontroller at enden på dreneringsslangen er plassert på riktig høyde (se <i>INSTALLASJON</i> ). Se etter sifonering i husholdningens kloakksystem, og installer en sifongbryter/luftinnløpsventil dersom det er nødvendig.
	Det dannes for mye skum.	Det er ikke målt riktig mengde oppvaskmiddel eller oppvaskmiddelet er ikke egnet for oppvaskmaskiner (se <i>FYLLING AV OPPVASKMIDDEL I DISPENSEREN</i> ).
	Luft i vannforsyningen.	Se etter lekkasjer eller andre problem i vannforsyningen som fører til at det finnes luft i den.
Tallerkenene er ikke tørket godt nok.	Skyllemiddel mangler eller doseringen er for lav.	Påse at skyllemiddeldispenseren er fylt (se <i>FYLLING AV DISPENSER MED SKYLLEMIDDEL</i> ). Kun fler-funksjonelle tablett gir ikke samme tørkende effekt som bruken av flytende skyllemiddel.
	Tallerkenene er tatt ut etter at døren automatisk ble åpnet men før den aktuelle syklusen ble avsluttet.	Påse at syklusen er avsluttet før du starter å ta ut tallerkenene (se <i>DAGLIG BRUK</i> ). For enda bedre tørkeresultat, anbefaler vi at tallerkenene blir værende inne i oppvaskmaskinen med døren oppe i ytterligere 15 minutter etter at syklusen avsluttes.
	Tallerkenene er plassert for flate.	Hvis du oppdager at det har dannet seg vann i kopper, mugger eller boller, forsøk å sette inn tallerkenene (spesielt i den øvre kurven) med større helning for at vannet skal dryppe ned før tørkingen starter.
	Den valgte syklusen har ikke tørkefasen.	Vennligst kontroller i <i>PROGRAMTABELL</i> hvorvidt det valgte programmet har en tørkefase. Det er mulig at syklus uten tørkefasen ikke oppnår ønsket tørkeeffekt, derfor anbefaler vi at syklusen endres til en som har tørkefasen.
Tallerkenene er laget av teflon eller plast.	Det er normalt at noen vanndråper blir liggende på denne typen material.	
Tallerkener og glass har blå striper eller blålig skjær.	Skyllemiddelets dosering er for kraftig.	Juster doseringen til lavere innstilling.
Tallerkener og glass er dekket med kalk eller et hvitt lag.	Saltbeholderen er tom.	Etterfyll beholderen med salt så snart som mulig. Dersom du bruker apparatet uten salt kan det oppstå skader på de innvendige komponentene.
	Innstilling av vannets hardhet er for lav.	Øk innstillingen (se <i>TABELL FOR VANNETS HARDHET</i> ).
	Lokket til saltbeholderen er ikke riktig lukket.	Kontroller og lukk lokket på saltbeholderen.
Beholderen med skyllemiddel er tom eller doseringen av skyllemiddel er ikke tilstrekkelig.	Fyll på mer skyllemiddel i beholderen og kontroller doseringsinnstillingen (for mer informasjon - se <i>FYLLING AV DISPENSER MED SKYLLEMIDDEL</i> ).	
Oppvaskmaskinen viser <b>F8 E5</b>	Ventil er tett eller har feil.	Steng vannkranen, dersom det er mulig. Ikke slå av strømforsyningen. Ring servicen.



### Retningslinjer, standarddokumentasjon, bestilling av reservedeler og ekstra produktinformasjon vil du:

- Ved å benytte QR-koden og besøke vårt nettsted [docs.whirlpool.eu](https://docs.whirlpool.eu)
- Besøke vårt nettsted [parts-selfservice.whirlpool.com](https://parts-selfservice.whirlpool.com)
- Alternativt kan du **kontakte vår Ettersalgsservice** (se telefonnummeret i garantiheftet). Når du kontakter vår Ettersalgsservice, vennligst oppgi kodene du finner på produktets typeskilt.

Du vil få tilgang til informasjonen om modellen ved å benytte QR-koden du finner på energietiketten. Etiketten inneholder også modellidentifikatoren som kan benyttes for å konsultere portalen til registeret på <https://eprel.ec.europa.eu>





**ĎAKUJEME, ŽE STE SI KÚPILI VÝROBOK WHIRLPOOL.**  
Ak chcete získať komplexnejšiu pomoc a podporu, zaregistrujte, prosím, svoj spotrebič na: [www.whirlpool.eu/register](http://www.whirlpool.eu/register)

**Pred použitím spotrebiča si starostlivo prečítajte bezpečnostné pokyny a návod na inštaláciu. Viac informácií o výrobku nájdete na webovej stránke: [docs.whirlpool.eu](http://docs.whirlpool.eu)**



Po inštalácii nezabudnite odstrániť z umývačky všetky súčiastky na ochranu pri preprave.

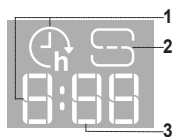
## OVLÁDACÍ PANEL



1. Tlačidlo ZAP./VYP./Reštart s kontrolkou
2. Tlačidlo Eko program s kontrolkou
3. Tlačidlo programu Rýchly s kontrolkou/ program Predumývanie - stlačiť na 3 sekundy
4. Tlačidlo programu Kristálové s kontrolkou/ program Autočistenie - stlačiť na 3 sekundy
5. Tlačidlá Automatických programov s kontrolkami - Auto Intenzívny 65°/ Auto Zmiešaný 55°/ Auto Rýchly 50°
6. Kontrolka prázdny zásobník soli
7. Kontrolka prázdny zásobník leštidla

8. Displej
9. Ukazovateľ čísla programu a zostávajúceho času
10. Kontrolka Zatvorený vodovodný ventil
11. Kontrolka ODVÁPNIŤ
12. Tlačidlá Extra možností s kontrolkami - Polovičná náplň/ Tichý/ Hygienické oplachovanie
13. Tlačidlo možnosti Power Clean® s kontrolkou
14. Tlačidlo Extra Sušenie s kontrolkou/ Nastavenia - stlačiť na 3 sekundy
15. Tlačidlo Odklad s kontrolkou
16. Tlačidlo ŠTART/Pauza s kontrolkou

## ZOBRAZENIE NA DLÁŽKE



1. Čas odkladu na dlážke - ukazovateľ času, ktorý zostáva do začiatku cyklu, keď je nastavená funkcia odkladu
2. Zásobník soli je prázdny - kontrolka na podlahe
3. Zostávajúci čas na dlážke - ukazovateľ času, ktorý zostáva do konca cyklu

## PRVÉ POUŽITIE

### PONUKA NASTAVENÍ

1. Zapnite spotrebič stlačením tlačidla ZAP./VYP.
2. Na 3 sekundy podržte tlačidlo Nastavenia (Extra Sušenie ), až kým sa neozve pípnutie a na displeji sa zobrazí „Set“.
3. Po jednej sekunde sa zobrazí prvé dostupné nastavenie (písmeno „h“).
4. Stlačením Automatických programov /Extra možnosti prechádzate zoznamom dostupných nastavení (pozri tabuľku ďalej), potom stlačte ŠTART/Pauza pre zobrazenie a zmenu hodnoty aktuálne zvoleného nastavenia.
5. Stlačením Automatických programov /Extra možnosti zmeníte hodnotu, potom stlačte ŠTART/Pauza pre uloženie novej hodnoty.
6. Pre zmenu ďalšieho nastavenia zopakujte body 2 a 5.
7. Stlačte ZAP./VYP. alebo počkajte 30 sekúnd, ak chcete ponuku zatvoriť.

PÍSMENO	NASTAVENIE	HODNOTY (Štandardné - tučným písmom)
	Úroveň tvrdosti vody (pozri NASTAVENIE TVRDOSTI VODY a TABUĽKA TVRDOSTI VODY)	1   2   <b>3</b>   4   5
	Úroveň leštidla (pozri NASTAVENIE DÁVKOVANIA LEŠTIDLA)	0   1   2   3   4   5
	NaturalDry (pozri MOŽNOSTI A FUNKCIE) „1“ = Zap., „0“ = Vyp.	1   0
	Čas na Podlahe (pozri MOŽNOSTI A FUNKCIE) „1“ = Zap., „0“ = Vyp.	1   0
	Zvuk „1“ = Zap., „0“ = Vyp.	1   0
	Nastavenie z výroby Stlačením tlačidla ŠTART/Pauza obnovíte nastavenie z výroby všetkých hodnôt nastavení zahrnutých v ponuke nastavení	-

### PLNENIE ZÁSOBNÍKA SOLI

Používanie soli zabraňuje tvorbe vodného kameňa na riadoch a funkčných komponentoch umývačky. Zásobník soli sa nachádza v spodnej časti umývačky (pod spodným košom na ľavej strane).

- Je nevyhnutné, aby zásobník soli nebol nikdy prázdny.
- Je dôležité nastaviť tvrdosť vody.
- Soľ treba doplniť, keď na ovládacom paneli svieti kontrolka DOPLNIŤ SOL'



1. Vyberte spodný koš a odskrutkujte uzáver zásobníka (proti smeru hodinových ručičiek).
2. Nasadte násytku (pozri obrázok) a naplňte zásobník až po okraj (približne 0,5 kg); je bežné, že trochu vody vytečie.
3. **Vykonáva sa len prvýkrát: zásobník soli naplňte vodou.**
4. Vyberte násytku a zvyšky soli na otvore utrite.

Dbajte, aby bol uzáver pevne zatiahnutý, aby sa počas umývacieho programu nedostal do zásobníka umývacieho prostriedku (mohlo by to nenapraviteľne poškodiť zmäččovač vody).

Spustite program zakaždým hneď po doplnení zásobníka soli, aby ste sa vyhlili korózií.

### Nastavenie tvrdosti vody

Aby mohol zmäččovač dokonale pracovať, je dôležité, aby bola tvrdosť vody nastavená podľa skutočnej tvrdosti vody vo vašej domácnosti. Túto informáciu môžete získať od miestneho dodávateľa vody. Z výroby je nastavená priemerná tvrdosť vody „3“. Pozri „TABUĽKA TVRDOSTI VODY“.

Ak ho chcete zmeniť, postupujte podľa pokynov v časti "PONUKA NASTAVENÍ".

Tabuľka tvrdosti vody

Úroveň	°dH Nemecké stupne	°fH Francúzske stupne	°Clark Anglické stupne
1 (mäkká)	0 - 6	0 - 10	0 - 7
2 (stredná)	7 - 11	11 - 20	8 - 14
3 (priemerná)	12 - 16	21 - 29	15 - 20
4 (tvrdá)	17 - 34	30 - 60	21 - 42
5 (veľmi tvrdá)	35 - 50	61 - 90	43 - 62

### Používajte iba soľ určenú špeciálne do umývačiek.

Keď do umývačky nasypete soľ, kontrolka DOPLNIŤ SOL' zhasne. Ak zásobník soli nenaplníte, zmäččovač vody a ohrievacie teleso sa môžu poškodiť v dôsledku hromadenia vodného kameňa. Použitie soli sa odporúča s akýmkoľvek typom umývacieho prostriedku do umývačky riadu.

### SYSTÉM NA ZMÄČČOVANIE VODY

Zmäččovač vody automaticky znižuje tvrdosť vody, čím zároveň zabraňuje tvorbe vodného kameňa v ohrievачi a prispieva k vyššej efektívnosti umývania.

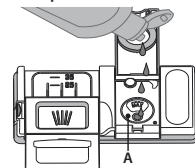
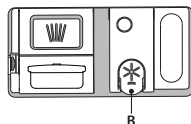
**Tento systém sa automaticky regeneruje pomocou soli, a preto je nutné pravidelne dopĺňať zásobník soli, keď bude prázdny.**

Intervaly vykonávania regenerácie závisia od nastavenia tvrdosti vody – regenerácia sa vykonáva raz za 4-6 Eco cyklov, ak je tvrdosť vody nastavená na 3. Proces regenerácie prebieha na začiatku cyklu s pridaním čerstvej vody.

- Pri regenerácii sa spotrebuje: približne 3 litre vody;
- Pridá k cyklu dodatočných 5 minút;
- Spotrebuje sa pri nej 0,005 kWh energie.

### PLNENIE DÁVKOVAČA LEŠTIDLA

Leštidlo uľahčuje SUŠENIE riadu. Dávkovač leštiaceho prostriedku A treba naplniť, keď na ovládacom paneli svieti kontrolka DOPLNIŤ LEŠTIDLO .



1. Otvorte dávkovač B stlačením a zdvihnutím držiaka na veku.
2. Opatrne nalejte leštidlo až po značku maximum (110 ml) v plniacom priestore – dbajte, aby ste ho nerozliali. Ak sa to stane, leštidlo ihneď utrite suchou handričkou.

3. Zatlačte veko, až počujete cvaknutie.  
**NIKDY nelejte leštidlo priamo do vaničky umývačky.**

## Nastavenie dávkovania leštidla

Ak nie ste celkom spokojní s výsledkom sušenia, môžete nastaviť množstvo použitého leštidla.

Ak ho chcete zmeniť, postupujte podľa pokynov v časti "PONUKA NASTAVENÍ".

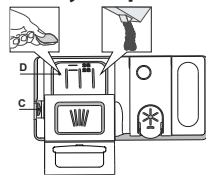
Ak je úroveň leštidla nastavená na NULA, nepridáva sa nijaké množstvo leštidla. Kontrolka **MÁLO LEŠTIDLA** sa nerozsvieti, ani keď sa leštidlo minie.

V závislosti od modelu umývačky možno nastaviť maximálne 6 úrovní.

- Ak vidíte na riade modrasté pásky, nastavte nízku hodnotu (0-3).
- Ak sú na riade kvapky vody alebo stopy po vodnom kameni, nastavte vysokú hodnotu (4-5).

## PLNENIE DÁVKOVAČA UMÝVACIEHO PROSTRIEDKU

Dávkovač umývacieho prostriedku otvorte pomocou otváracieho zariadenia C. Umývací prostriedok dávajte iba do suchého dávkovača D. Umývací prostriedok na predumývanie dajte priamo do vaničky.



1. Pri odmeriavaní umývacieho prostriedku sa riadte uvedenými informáciami, aby ste pridali správne množstvo. Vnútri dávkovača D sa nachádzajú značky, ktoré pomôžu pri dávkovaní umývacieho prostriedku.
2. Odstráňte zvyšky umývacieho prostriedku z okrajov dávkovača a až potom veko zatvorte, až sa ozve cvaknutie.
3. Zatvorte veko dávkovača umývacieho prostriedku jeho nadvihnutím, až uzatváracie zariadenie zapadne na miesto.

Dávkovač umývacieho prostriedku sa automaticky otvorí v správnom čase podľa programu.

**Ak používate čistiaci prostriedok, ktorý nie je určený na umývačky, môžete tým spôsobiť poruchu alebo poškodenie spotrebiča.**

## KAŽDODENNÉ POUŽÍVANIE

### 1. SKONTROLUJTE PRIPOJENIE K VODOVODU

Skontrolujte, či je spotrebič pripojený k vodovodnej sieti a či je otvorený vodovodný ventil.

### 2. ZAPNITE UMÝVAČKU

Otvorte dvierka a stlačte tlačidlo ZAP./VYP.

### 3. ULOŽTE RIAD DO KOŠOV (pozri UKLADANIE RIADU DO KOŠOV)

### 4. PLNENIE DÁVKOVAČA UMÝVACIEHO PROSTRIEDKU

### 5. ZVOĽTE PROGRAM A UPRAVTE SI CYKLUS PODĽA ŽELANIA

Vyberte najvhodnejší program podľa typu nádob a stupňa zašpinenia (pozri OPIS PROGRAMOV) stlačením zvoleného tlačidla PROGRAM. Zvoľte požadované možnosti (pozri MOŽNOSTI A FUNKCIE). Nie všetky možnosti sú kompatibilné so všetkými programami.

### 6. ŠTART

Cyklus umývania spustíte stlačením tlačidla ŠTART/Pauza (rozsvieti sa LED) a zatvorením dvierok do 4 sekúnd. Keď sa program spustí, ozve sa jedno zapípanie. Ak dvierka nezatvoríte do 4 sekúnd, ozve sa výstražný signál. V takomto prípade dvierka neotvárajte, stlačte tlačidlo ŠTART/Pauza a znova zatvorte dvierka do 4 sekúnd.

### 7. UKONČENIE CYKLU UMÝVANIA

Koniec cyklu umývania oznámi zvuková signalizácia a na displeji sa zobrazí END (KONIEC). Otvorte dvierka a vypnite spotrebič stlačením tlačidla ZAP./VYP.

Niekoľko minút počkajte, aby ste sa nepopáli, a potom nádoby vyberte. Vyložte riad z košov, začnite od spodného.

## ÚPRAVA BEŽIACEHO PROGRAMU

Ak ste zvolili nesprávny program, je možné ho zmeniť za podmienky, že sa iba začal. **RESET** spotrebiča: stlačte a podržte tlačidlo ZAP./VYP. dlhšie ako 3 sekundy a spotrebič sa vypne. **Na prístrojovej doske sa zobrazí „0:01“.** Zatvorte dvierka a počkajte, kým sa skončí cyklus odčerpania (cca 1 minúta). Otvorte dvierka a znova spotrebič zapnite pomocou tlačidla ZAP./VYP. a zvoľte požadovanú možnosť. Spustíte cyklus stlačením tlačidla ŠTART/Pauza a zatvorením dvierok do 4 sekúnd.

## PRIDANIE RIADU NAVYŠE

Bez vypnutia spotrebiča najprv pootvorte dvierka, aby voda nevyšplechla (LED kontrolka ŠTART/Pauza začne blikať) (**Pozor! Horúca para!**) a vložte riad do umývačky. Stlačte tlačidlo ŠTART/Pauza a zatvorte dvierka do 4 sekúnd, cyklus bude pokračovať od bodu, kde bol prerušený.

## NÁHODNÉ PRERUŠENIA

Ak sa dvierka otvoria počas umývacieho cyklu, alebo v prípade výpadku prúdu, cyklus sa zastaví. Zatvorte dvierka a **IBA AK STLAČÍTE** tlačidlo ŠTART/Pauza a zatvoríte dvierka do 4 sekúnd, cyklus bude pokračovať od bodu, kde bol prerušený.

## RADY A TIPY

### TIPY

Pred naložením riadu do košov odstráňte všetky zvyšky jedla z nádob a vyprázdňte poháre. **Riad nemusíte vopred oplachovať pod tečúcou vodou.**

Uložte nádoby tak, aby sedeli pevne na mieste a neprevrátili sa; a uložte ich tak, aby boli otvorené nadol, a vypuklé časti, aby boli naklonené a voda sa tak mohla voľne dostať ku všetkým povrchom.

**Pozor:** veká, rúčky, podnosy a panvice na vysmazanie nesmú brániť otáčaniu ostrekovacích ramien.

Drobné veci ukladajte do košíka na príbor. Veľmi špinavý riad a hrnce treba ukladať do spodného koša, lebo v tejto časti sú prúdy vody silnejšie a zvyšujú umývací výkon. Po naplnení spotrebiča sa presvedčte, či sa ostrekovacie ramená môžu voľne otáčať.

### NEVHODNÉ PREDMETY

- Drevené nádoby a príbor.
  - Krehké zdobené poháre, umelecký ručne maľovaný a starožitný porcelán. Ičh zdobenie nie je odolné.
  - Časti z plastu, ktoré nie sú odolné voči vysokým teplotám.
  - Medené a cínové nádoby.
  - Riad zašpinený od popola, vosku, mazadiel alebo atramentu.
- Farby ozdôb na skle a hliníkové/strieborné kusy sa môžu počas umývania meniť a vyblednúť. Niektoré typy skla (napr. krištáľové predmety) môžu po niekoľkých umytiach zmatnieť.

### POŠKODENIE SKLA A PORCELÁNU

- Používajte iba sklo a porcelán, pri ktorých výrobca zaručuje, že ich možno bezpečne umývať v umývačke.
- Používajte jemný umývací prostriedok vhodný na porcelán
- Vytiahnite poháre a príbor z umývačky hneď po skončení umývacieho cyklu.

### TIPY NA ÚSPORU ENERGIE

- Keď používate umývačku riadu do domácnosti v súlade s pokynmi výrobcu, **pri umývaní kuchynského riadu v umývačke sa spravidla spotrebuje MENEJ ENERGIE a vody ako pri ručnom umývaní riadu.**
- Na dosiahnutie maximálnej efektivity umývačky riadu sa odporúča **spustiť cyklus umývania až potom, čo bude kompletne naplnená.** Ak naložíte umývačku riadu až do kapacity uvedenej výrobcom, prispějete tým k úspore energie a vody. Informácie o správnom nakladaní riadu nájdete v kapitole s názvom NAKLADANIE KOŠOV. V prípade čiastočného naplnenia sa odporúča používať špecializované možnosti umývania (Polovičná náplň/Zónové umývanie/Multizónové umývanie), ak sú k dispozícii, a naplniť iba konkrétne koše. Pri nesprávnom alebo nadmernom naplnení sa môže zvýšiť spotreba umývačky (či už ide o spotrebu vody, energie, času alebo väčšiu mieru hluku), čo povedie k zníženiu výkonu pri umývaní a sušení.
- Manuálne predbežné oplachovanie kuchynského riadu má za následok zvýšenú spotrebu vody a energie, a preto sa neodporúča.

### HYGIENA

Aby ste sa vyhli zápachu a usadeninám, ktoré sa môžu nahromadiť v umývačke, **aspoň raz do mesiaca spustíte program s vysokou teplotou.** Do prázdnej umývačky dajte čajovú lyžičku umývacieho prostriedku a pusťte ju naprázdno, aby sa vyčistila.

### ODOLNOSŤ VOČI MRAZU

Ak je spotrebič umiestnený v prostredí s rizikom mrazu, **je potrebné z neho úplne vypustiť vodu.** Uzavrte vodovodný kohútik, odstráňte prírodnú a odtokovú hadicu a nechajte vodu vytečť. **Presvedčte sa, že zmäččovač vody je plný rozpustenej regeneračnej soli v zásobníku soli,** aby bol spotrebič chránený pred teplotami až do -20°C.

Ak bol spotrebič uskladnený v podmienkach, kde mrzlo, musí pred prvým spustením **aspoň 24 hodín** stáť pri okolitej teplote minimálne 5°C.

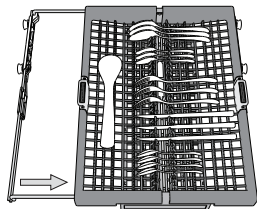
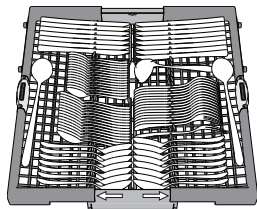


**KOŠÍK NA PRÍBOR**

Tretí košík je určený na ukladanie príboru. Príbor uložte, ako je uvedené na obrázku. Vďaka oddelenému uloženiu sa príbor po umytí ľahšie vyberá a dosiahne sa lepší výsledok umývania a sušenia.

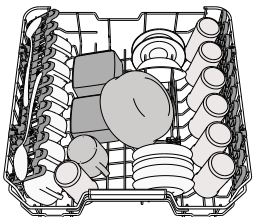
**Nože a ostatné kuchynské náčinie s ostrými okrajmi treba uložiť čepelmi nadol.**

Košík na príbor je vybavený dvoma zasúvacími bočnými priehradkami, aby sa čo najviac využila výška spodného priestoru a dali sa uložiť vysoké veci do horného koša.

**VRCHNÝ KOŠ**

Ukladajte doň krehké a ľahké nádoby: poháre, šálky, tanieriky, nízke šálátové misky. Vrchný koš má oporu proti prevráteniu, ktorú možno použiť vo vertikálnej polohe pri ukladaní podšálok a dezertných tanierikov alebo v spodnej polohe na ukladanie misiek a nádob na jedlo.

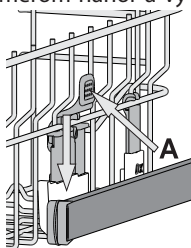
(príklad naplnenia vrchného koša)

**Nastavenie výšky vrchného koša**

Výška vrchného koša je nastaviteľná: vysoká poloha umožňuje uložiť do spodného koša objemný riad a nízka poloha umožňuje čo najlepšie využiť opory proti prevráteniu vytvorením väčšieho miesta smerom nahor a vyhnúť sa tomu, aby riad narážal o veci v spodnom koši. Vrchný koš je vybavený **nastavovačom výšky vrchného koša** (pozri obrázok), bez stláčania páčok ho jednoducho nadvihnite uchopením bočnic koša, len čo je koš v stabilnej hornej polohe.

Na vrátenie do spodnej polohy stlačte páčky **A** na bočkoch koša a posuňte koš nadol.

**V žiadnom prípade neodporúčame nastavovať výšku koša, keď je plný. NIKDY nezdvíhajte ani nespúšťajte koš iba na jednej strane.**

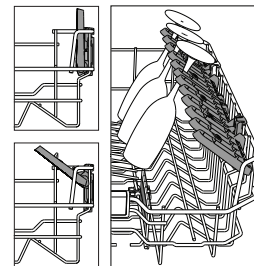
**Sklápacie klapky s nastaviteľnou polohou**

Bočné sklápacie opierky je možné sklopiť alebo vyklápať, aby bolo možné optimalizovať usporiadanie riadu v zásuvke.

Vínové poháre možno bezpečne uložiť do sklápacích opierok vložením stopky pohára do príslušnej štrbiny.

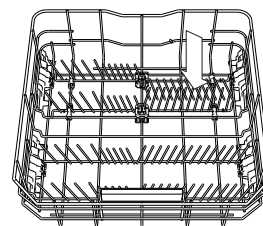
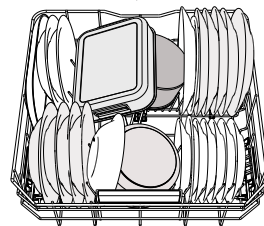
V závislosti od modelu:

- pri vyklápaní opierku posuňte hore a otočte ju alebo ju uvoľnite zo západiek a potiahnite ju dole.
- pri sklápaní opierku otočte a zasuňte ju dole alebo ju vytiahnite hore a zatlačte do západiek.

**SPODNÝ KOŠ**

Na hrnce, pokrievky, taniere, šálátové misky, príbor a pod. Veľké taniere a pokrievky by mali byť uložené po bokoch, aby na ne ostrekovacie ramena nenarážali.

Spodný koš má opory proti prevráteniu, ktoré možno použiť v zvislej polohe pri ukladaní tanierov alebo v horizontálnej polohe (nižšie) pre ľahké uloženie panvic a šálátových mís.



(príklad naplnenia spodného koša)

**POWER CLEAN®**

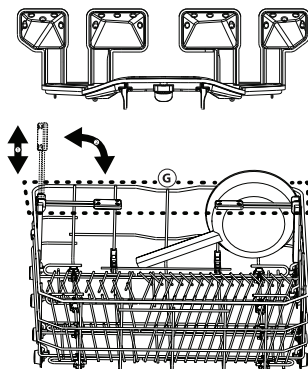
Funkcia Power Clean® využíva špeciálne vodné dýzy v zadnej časti priestoru na intenzívne umývanie veľmi špinavých nádob.

Spodný koš má oddeľovaciu zónu, špeciálnu vyťahovaciu oporu v zadnej časti koša, ktorá môže slúžiť na podopretie panvic alebo plechov na pečenie, aby boli v zvislej polohe a zabrali tak menej miesta.

Po umiestnení hrncov/kastrólov oproti komponentu Power Clean® aktivujte na ovládacom paneli **POWER CLEAN**.

Ako používať Power Clean®:

1. Upravte priestor Power Clean® (**G**) sklopením zadných držiakov tanierov, aby sa tam zmestili hrnce..
2. Vložte vertikálne naklonené hrnce a kastróly do oblasti Power Clean®. Hrnce musia byť naklonené smerom k vodným dýzám.

**STAROSTLIVOSŤ A ÚDRŽBA****ČISTENIE ZOSTAVY FILTRA**

Zostavu filtra pravidelne čistite, aby sa filtre neupchali a odpadová voda mohla správne odtekať.

Ak používate umývačku riadu s upchatými filtermi alebo s cudzími telesami vo filtračnom systéme či v ostrekovacích ramenách, môže to spôsobiť poruchu s následným zhoršením výkonu, nárastom hluku alebo zvýšením spotreby.

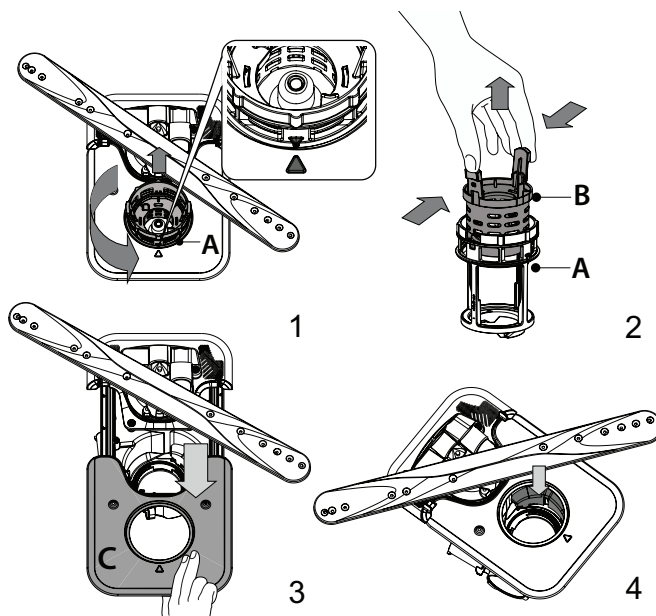
Zostava filtra pozostáva z troch filtrov, ktoré odstraňujú zvyšky jedla z umývačky a potom vodu recirkulujú.

**Umývačku nesmiete používať bez filtrov, alebo ak je filter uvoľnený.**

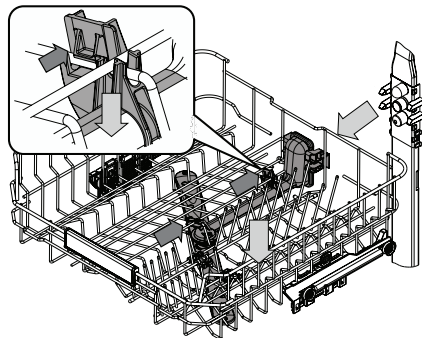
Aspoň raz mesačne alebo zakaždým po 30 cykloch skontrolujte zostavu filtra a v prípade potreby ju pomocou nekovovej kefy dôkladne vyčistite pod tečúcou vodou podľa nižšie uvedených pokynov:

1. Otočte valcovým filtrom **A** proti smeru hodinových ručičiek a vytiahnite ho (obr. 1). **Je dôležité, aby sa pri opätovnej inštalácii filtra dva trojuholníky zobrazené na zväčšení stretli.**
2. Vytiahnite vrchný filter **B** jemným zatlačením na bočné klapky (obr. 2).
3. Vyberte plechový filter z nehrdzavejúcej ocele **C** (obr. 3).
4. V prípade, že nájdete cudzie telesá (napr. úlomky skla, porcelánu, kostí, ovocné semená a pod.), **opatrne ich vyberte.**
5. Skontrolujte sífón a odstráňte zvyšky jedla. **NIKDY NEVYBERAJTE ochranu čerpadla (označené šípkou) (obr. 4).**

Po vyčistení filtrov zostavu filtrov vložte na miesto a zafixujte v správnej polohe; je to dôležité pre správnu činnosť umývačky.

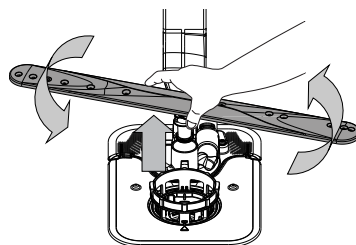


## ČISTENIE OSTREKOVACÍCH RAMIEN

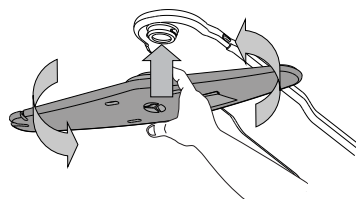


Občas sa zvyšky jedla môžu zasušiť aj na ostrekovacích ramenách a zablokovať dierky, cez ktoré strieka voda. Preto sa odporúča občas ramená kontrolovať a čistiť ich malou nekovovou kefkou.

Ak chcete odstrániť horný ostrekovač, musíte ho odstrániť spolu s privodným potrubím.



Spodné ostrekovacie rameno možno vybrať potiahnutím nahor a otočením proti smeru hodinových ručičiek. Znovu ho namontujete potiahnutím nadol a otočením v smere hodinových ručičiek.



Horné ostrekovacie rameno možno vybrať zatlačením nahor a otočením proti smeru hodinových ručičiek. Znovu ho namontujete potiahnutím nahor a otočením v smere hodinových ručičiek.

## RIEŠENIE PROBLÉMOV

**Ak vaša umývačka riadnu nefunguje správne, zistite, či problém nemožno vyriešiť po konzultácii s nasledujúcim zoznamom. V prípade ďalších chýb a problémov sa obráťte na autorizovaný popredajný servis, pričom kontaktné údaje nájdete v záručnej knižke. Náhradné diely budú k dispozícii počas 7 alebo až 10 rokov podľa konkrétnych požiadaviek nariadení.**

PROBLÉMY	MOŽNÉ PRÍČINY	RIEŠENIA
Kontrolka soli svieti.	Zásobník soli je takmer prázdny.	Doplňte do zásobníka solí (ďalšie informácie - pozri <i>PLNENIE ZÁSOBNÍKA SOLI</i> ). V prípade potreby skontrolujte nastavenie tvrdosti vody - pozri <i>TABUĽKA TVRDOSTI VODY</i> .
Kontrolka soli bliká	Zásobník soli je prázdny.	Čo najskôr doplňte do zásobníka solí. Používanie spotrebiča bez soli môže poškodiť jeho vnútorné komponenty.
Kontrolka leštidla svieti alebo bliká	Dávkovač leštidla je prázdny. (Po doplnení leštidla môže kontrolka ešte krátko svietiť).	Naplňte dávkovač leštidlom (viac informácií - pozri <i>PLNENIE DÁVKOVAČA LEŠTIDLA</i> ).
Kontrolka odvápnenia svieti alebo bliká; Zobrazuje sa varovanie „dES“.	Na vnútorných komponentoch spotrebiča sa hromadí vodný kameň.	Okamžite spotrebič odvápnite pomocou programu Autočistenie a komerčne dostupného odvápnovacieho prostriedku (pozri <i>MOŽNOSTI A FUNKCIE</i> ). Doplňte do zásobníka solí. Skontrolujte nastavenie tvrdosti vody. Ak spotrebič nie je odvápný, prestane pracovať.
Umývačka sa nespúšťa a nereaguje na príkazy.	Spotrebič nie je riadne pripojený do elektrickej zásuvky.	Zastrčte zástrčku do zásuvky.
	Výpadok prúdu.	Z bezpečnostných dôvodov sa po obnove prívodu elektrickej energie umývačka riadu nereštaruje automaticky. Otvorte dverka umývačky, stlačte tlačidlo ŠTART/Pauza a zatvorte dverka do 4 sekúnd.
	Dvierka umývačky nie sú zatvorené. Kolík NaturalDry nie je vtiiahnutý.	Energicky dvierka zatlačte tak, aby ste počuli „cvaknutie“.
	Cyklus je prerušený otvorením dvierok na viac ako 4 sekundy.	Do 4 sekúnd zatvorte dvierka a stlačte tlačidlo ŠTART/Pauza.
Z umývačky neodtiekla voda. Zobrazenie na displeji: <b>F7 E3</b> alebo <b>F9 E1</b>	Filter je upchatý zvyškami jedla alebo vodným kameňom.	Vyčistite filter a spotrebič odvápnite (pozri <i>ČISTENIE ZOSTAVY FILTRA</i> a <i>NÁVOD NA ODVÁPNENIE</i> ).
	Zalomená odtoková hadica.	Skontrolujte odtokovú hadicu (pozri <i>NÁVOD NA INŠTALÁCIU</i> ).
	Odtokové potrubie drezu je upchaté.	Vyčistite odtokové potrubie drezu.
Umývačka vydáva nadmerný hluk.	Nádoby o seba hrcujú.	Uložte nádoby správne (pozri <i>UKLADANIE RIADU DO KOŠOV</i> ).
	Vzniká nadmerné množstvo pary.	Umývací prostriedok nebol dávkovaný správne alebo nie je vhodný do umývačiek (pozri <i>PLNENIE DÁVKOVAČA UMÝVACIEHO PROSTRIEDKU</i> ). Reštartujte aktuálny cyklus vypnutím umývačky, potom ju znova zapnite, zvolte nový program, stlačte ŠTART/Pauza a do 4 sekúnd zatvorte dverka. Nepridávajte čistiaci prostriedok.
	Riad nebol správne uložený.	Uložte nádoby správne (pozri <i>UKLADANIE RIADU DO KOŠOV</i> ).
	Filter je upchatý zvyškami jedla alebo vodným kameňom.	Vyčistite zostavu filtrov (pozri <i>STAROSTLIVOSŤ A ÚDRŽBA</i> ).
Riad nie je čistý.	Riad nebol správne uložený.	Uložte nádoby správne (pozri <i>UKLADANIE RIADU DO KOŠOV</i> ).
	Ostrekovacie ramená sa nemôžu voľne točiť, bránia im v tom kusy riadu.	Uložte nádoby správne (pozri <i>UKLADANIE RIADU DO KOŠOV</i> ). Skontrolujte, či je horný kôš v správnej polohe a prípade potreby ho upravte (zdvihnite).
	Umývací cyklus je príliš jemný.	Vyberte príslušný umývací cyklus (pozri <i>TABUĽKU PROGRAMOV</i> ).
	Vzniká nadmerné množstvo pary.	Umývací prostriedok nebol dávkovaný správne alebo nie je vhodný do umývačiek riadu (pozri <i>PLNENIE DÁVKOVAČA UMÝVACIEHO PROSTRIEDKU</i> ).
	Veko priehradky na leštidlo nebolo správne uzavreté.	Presvedčte sa, či je veko dávkoča leštidla uzavreté.
	Filter je upchatý zvyškami jedla alebo vodným kameňom.	Vyčistite filter a spotrebič odvápnite (pozri <i>ČISTENIE ZOSTAVY FILTRA</i> ).
	Zásobník soli je prázdny.	Naplňte zásobník soli (pozri <i>PLNENIE ZÁSOBNÍKA SOLI</i> ).

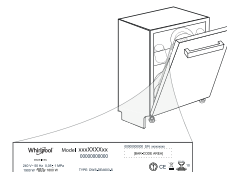
PROBLÉMY	MOŽNÉ PRÍČINY	RIEŠENIA
Umývačka sa neplní vodou. Zobrazenie na displeji: <b>H2O</b> a $\emptyset$ svieti; ozýva sa zvukový alarm.	V prívode nie je voda alebo je uzavretý ventil.	Presvedčte sa, či je v prívode voda a či je kohútik otvorený.
	Prívodná hadica je ohnutá.	Skontrolujte prívodnú hadicu ( <i>pozri INŠTALÁCIA</i> ). Otvorte dvierka umývačky, stlačte tlačidlo ŠTART/Pauza a zatvorte dvierka do 4 sekúnd.
	Sítka v prívodnej hadici je upchaté. Je nevyhnutné ho vyčistiť.	Skontrolujte a vyčistite sítka v prívodnej hadici. Otvorte dvierka umývačky, stlačte tlačidlo ŠTART/Pauza a zatvorte dvierka do 4 sekúnd.
Umývačka predčasne ukončuje cyklus. Zobrazenie na displeji: <b>F8 E3</b>	Filter je upchatý zvyškami jedla alebo vodným kameňom.	Vyčistite filter a spotrebič odvápnite ( <i>pozri ČISTENIE ZOSTAVY FILTRA a NÁVOD NA ODVÁPNEŇIE</i> ).
	Odtoková hadica je umiestnená príliš nízko alebo voda odteka do domáceho odpadového systému.	Skontrolujte, či je koniec odtokovej hadice umiestnený v správnej výške ( <i>pozri INŠTALÁCIA</i> ). Skontrolujte odvádzanie do systému domového odpadu, v prípade potreby namontujte vypínač odtoku/ventil prívodu vzduchu.
	Vzniká nadmerné množstvo pary.	Umývaci prostriedok nebol dávkovaný správne alebo nie je vhodný do umývačiek riadu ( <i>pozri PLNENIE DÁVKOVAČA UMÝVACIEHO PROSTRIEDKU</i> ).
	V prívode vody je vzduch.	Skontrolujte, či v prívode vody nie sú netesnosti alebo iné problémy, pre ktoré uniká vzduch dovnútra.
Riad nie je dobre vysušený.	V dávkovači nie je leštidlo alebo je dávka príliš malá.	Presvedčte sa, či je dávkovač leštidla plný ( <i>pozri PLNENIE DÁVKOVAČA LEŠTIDLA</i> ). Iba multifunkčné tablety nezabezpečia taký dobrý výsledok sušenia ako použitie tekutého leštidla.
	Riad bol vyložený po automatickom otvorení dvierok, ale pred skutočným ukončením cyklu.	Predtým ako začnete riad vykladať, presvedčte sa, či sa cyklus skončil ( <i>pozri KAŽDODENNÉ POUŽÍVANIE</i> ). Pre ešte lepší výsledok sušenia sa odporúča nechať riad v umývačke pri otvorených dvierkach ďalších 15 minút po skončení cyklu.
	Riad je uložený príliš na plocho.	Ak v šálkach, pohároch alebo miskách zbadáte kaluže vody, skúste ukladať riad (najmä v hornom koši) väčšími naklonený, aby väčšie množstvo vody pred sušením odtieklo.
	Zvolený cyklus nemá fázu sušenia.	Overte si v <i>TABUĽKE PROGRAMOV</i> , či má zvolený program fázu sušenia. Cyklus bez fázy sušenia nemusí dosahovať želanú účinnosť sušenia, preto sa odporúča vybrať radšej cyklus, ktorý má fázu sušenia.
	Nádoby majú úpravu proti pripáleniu alebo sú z plastu.	Je normálne, že na takomto type materiálu zostávajú nejaké kvapky vody.
Na riade a pohároch sú modré pásy alebo majú modrastý odtieň.	Dávka leštidla je priveľmi veľká.	Nastavte dávkovanie na nižšie hodnoty.
Na riadoch a pohároch sú usadeniny vodného kameňa alebo biely povlak.	Zásobník soli je prázdny.	Čo najskôr doplňte do zásobníka soľ. Používanie spotrebiča bez soli môže poškodiť jeho vnútorné komponenty.
	Je nastavená príliš nízka tvrdosť vody.	Zvýšte hodnoty tvrdosť vody ( <i>pozri TABUĽKU TVRDOSTI VODY</i> ).
	Uzáver zásobníka soli nie je dobre zavretý.	Skontrolujte a zatvorte záver zásobníka soli.
	Zásobník leštidla je prázdny alebo dávkovanie leštidla je nedostatočné.	Naplňte dávkovač leštidlom a skontrolujte nastavenie dávkovania (viac informácií nájdete - <i>pozri PLNENIE DÁVKOVAČA LEŠTIDLA</i> ).
Umývačka riadu zobrazuje <b>F8 E5</b>	Ventil je zablokovaný alebo chybný.	Zatvorte ventil prívodu vody, ak je to možné. Nevypínajte napájanie. Zavolajte servis.



### Firemné zásady, štandardnú dokumentáciu, objednávanie náhradných dielov a ďalšie informácie o produkte nájdete na:

- Pomocou QR kódu a na našej webovej stránke: [docs.whirlpool.eu](https://docs.whirlpool.eu)
- Na našej webovej stránke: [parts-selfservice.whirlpool.com](https://parts-selfservice.whirlpool.com)
- Prípadne **sa obráťte na náš popredajný servis** (Telefónne číslo nájdete v záručnej knižke). Pri kontaktovaní nášho popredajného servisu uveďte, prosím, kódy z výrobného štítku vášho spotrebiča.

Informácie o modele získate cez QR kód na energetickom štítku. Na štítku tiež nájdete identifikačné číslo modelu, ktoré môžete použiť na vyhľadávanie v registri na portáli <https://eprel.ec.europa.eu>.







**TACK FÖR ATT DU HAR KÖPT EN PRODUKT FRÅN WHIRLPOOL.**  
För att få fullständig assistans, registrera din maskin på:  
[www.whirlpool.eu/register](http://www.whirlpool.eu/register)

Läs säkerhets- och installationsanvisningarna noga innan du använder apparaten. För mer information om produkten, besök webbplatsen: [docs.whirlpool.eu](http://docs.whirlpool.eu)



Efter installationen, kom ihåg att ta bort alla transportskyddsdelar från diskmaskinen.

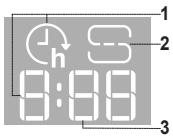
## KONTROLLPANEL



- Knapp för **På-Av/Återställ** med kontrollampa
- Programknapp Eko** med kontrollampa
- Programknapp Snabb** med kontrollampa / **Program Fördiska** - tryck 3 sek
- Programknapp Kristall** med kontrollampa / **Program Självrengöring** - tryck 3 sek
- Programknappar Auto** med kontrollampor - **Auto Intensiv 65°/ Auto Blandat 55°/ Auto Snabb 50°**
- Kontrollampa **tom saltbehållare**
- Kontrollampa **tom spolglansbehållare**

- Display**
- Programnummer** och lampa för återstående tid
- Kontrollampa för **stängd vattenkran**
- Kontrollampa **AVKALKNING**
- Extra tillvalsknappar** med kontrollampor - **Halvfull/ Tystgående/ Steri Skölj**
- Knapp för **tillvalet Power Clean®** med kontrollampa
- Knapp för **tillvalet Extra Torr** med kontrollampa / **Inställning** - tryck 3 sek
- Knapp för **tillvalet Fördröjning** med kontrollampa
- Knapp för **START/Paus** med kontrollampa

## DISPLAY PÅ GOLVET



- Fördröjningstid på golvet** - visar hur lång tid som återstår till programstart när alternativet Fördröjning är inställt
- Tom saltbehållare** - visar att saltbehållaren är tom
- Återstående tid på golvet** - visar återstående tid till programmets slut

## FÖRSTA ANVÄNDNING

### INSTÄLLNINGSMENY

- Slå på maskinen genom att trycka på knappen **PÅ/AV**.
- Håll knappen **Inställning** (Extra Torr) intryckt i 3 sekunder tills du hör ett pip ljud och displayen visar „**SET**“ (inställt).
- Efter en sekund visas den första tillgängliga inställningen (bokstaven „**h**“).
- Tryck på knappen **Programknappar Auto** / **Extra tillvalsknappar** för att bläddra genom listan av tillgängliga inställningar (se tabellen nedan) och tryck sedan på **START/Paus** för att visa värdet för den nuvarande valda inställningen och ändra det.
- Tryck på **Programknappar Auto** / **Extra tillvalsknappar** för att ändra värdet och sedan på **START/Paus** för att spara det nya värdet.
- Upprepa punkt 2 och 5 för att ändra en annan inställning.
- Tryck på **PÅ/AV** eller vänta 30 sekunder för att lämna menyn.

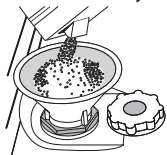
BOKSTAV	INSTÄLLNING	VÄRDEN (Standard - i fetstil)
h	<b>Vattnets hårdhetsgrad</b> (se "INSTÄLLNING AV VATTENHÅRDHET" och "VATTENHÅRDHETSTABELL")	1   2   <b>3</b>   4   5
f	<b>Spolglansnivå</b> (se "JUSTERING AV SKÖLJMEDELSDOSERINGEN")	0   1   2   3   4   <b>5</b>
□	<b>NaturalDry</b> (se "TILLVAL OCH FUNKTIONER") "1" = På, "0" = Av	1   0
h	<b>Tid på golvet</b> (se "TILLVAL OCH FUNKTIONER") "1" = På, "0" = Av	1   0
h	<b>Ljud</b> "1" = På, "0" = Av	1   0
f	<b>Fabriksinställningar</b> Tryck på START/Paus för att återställa alla inställningsvärden som finns i inställningsmenyn till fabriksvärdena.	-

### PÅFYLLNING AV SALTBEHÅLLAREN

Användning av salt förhindrar KALKBELÄGGNING på disken och på maskinens funktionella komponenter.

Saltbehållaren finns i botten av diskmaskinen (under underkorgen till vänster).

- Det är obligatoriskt att **SALTBEHÅLLAREN ALDRIG ÄR TOM**.
- Det är viktigt att ställa in vattenhårdheten.
- Salt måste fyllas på när kontrollampen **FYLL PÅ SALT** tänds på kontrollpanelen.



- Avlägsna underkorgen och skruva loss behållarens lock (moturs).
- Sätt tratten på plats (se bild) och fyll salt behållaren ända upp till kanten (cirka 0,5 kg); det är inte ovanligt att lite vatten rinner över.
- Gör detta endast den första gången: fyll saltbehållaren med vatten**

4. Ta bort tratten och torka bort eventuella saltrester från öppningen. Kontrollera att locket är ordentligt fastskruvat, så att inget diskmedel kan tränga in i behållaren under diskprogrammet (detta kan skada vattenavhårdaren så att den inte kan repareras).

**Närhelst du behöver lägga till salt är det obligatoriskt att slutföra proceduren före diskcykeln startar för att undvika korrosion.**

### Nställning av vattenhårdhet

För att vattenavhårdaren ska kunna fungera perfekt är det nödvändigt att vattenhårdhetsinställningen grundar sig på den verkliga vattenhårdheten hemma hos dig. Denna information kan du få från din lokala vattenleverantör. Fabriksinställningen är "3". Se "VATTENHÅRDHETSTABELL".

Nivå	Vattenhårdhetstabell		
	°dH Grader, tysk standard	°fH Grader, fransk standard	°Clark Grader, engelska standard
<b>1</b> (Mjukt)	0 - 6	0 - 10	0 - 7
<b>2</b> (Normal)	7 - 11	11 - 20	8 - 14
<b>3</b> (Normalt)	12 - 16	21 - 29	15 - 20
<b>4</b> (Hårt)	17 - 34	30 - 60	21 - 42
<b>5</b> (Mycket hårt)	35 - 50	61 - 90	43 - 62

För att ändra, följ instruktionerna i avsnittet „INSTÄLLNINGSMENY“.

**Använd endast salt som utvecklats speciellt för diskmaskiner.**

Efter att saltet hållits i maskinen släcks SALTPÅFYLLNINGSDOSERINGEN.

**Om saltbehållaren inte fylls kan vattenavhårdaren och värmeelementet skadas som resultat av kalkansamling.**

**Användning av salt rekommenderas med alla typer av diskmedel.**

### VATTENMJUKGÖRINGSSYSTEM

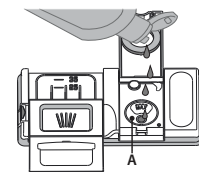
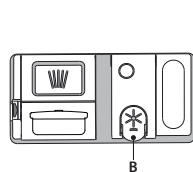
Vattenmjukgöring minskar automatiskt vattenhårdheten och förhindrar följaktligen kalkförekomst på värmaren, vilket också bidrar till bättre rengöringseffektivitet. **Detta system regenererar sig själv med salt, därför är det nödvändigt att fylla på saltbehållaren när den är tom.**

Regenereringsfrekvensen beror på inställningen av vattenhårdhetsnivå - sker regenerering en gång per 4-6 Eco-program med vattenhårdhetsnivån inställd till **3**. Regenereringen sker i början av programmet med extra kravvatten.

- För en regenerering behövs: ~3 L vatten,
- Tar upp till 5 minuter extra för programmet,
- Använder under 0,005 kWh energi.

### PÅFYLLNING AV SKÖLJMEDELSBEHÅLLARE

Sköljmedel underlättar TORKNINGEN av disken. Sköljmedelsbehållaren **A** ska fyllas på när **kontrollampen för SKÖLJMEDELSNIVÅ** tänds på kontrollpanelen.



- Öppna behållaren **B** genom att trycka och dra upp fliken på locket.
- Häll försiktigt i sköljmedel tills det når referensmärket max (110 ml) på påfyllningsöppningen - undvik spill. Om detta skulle hända ska man omedelbart torka upp spillet med en torr trasa.

3. Tryck locket nedåt tills du hör ett låsande klick ljud.

**Häll ALDRIG sköljmedel direkt i maskinbotten.**

## Justering av sköljmedelsdoseringen

Om du inte är helt tillfreds med torkresultatet kan du justera den använda sköljmedelsmängden.

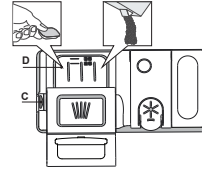
För att ändra, följ instruktionerna i avsnittet „INSTÄLLNINGSMENY“.

Om sköljmedelsnivån är inställd på NOLL tillförs inget sköljmedel. Kontroll-lampan för **LÅG SKÖLJMEDELSNIVÅ** kommer inte att tändas om sköljmedlet tar slut. Högst **6** olika nivåer kan ställas in med denna diskmaskinsmodell.

- Om du ser blåaktiga streck på tallrikarna, ställ in ett lågt nummer (0-3).
- Om det finns vattendroppar eller kalkmärken på disken, ställ in ett högt nummer (4-5).

## PÅFYLLNING AV DISKMEDELSBEHÅLLAREN

Använd öppningsdonet **C** för att öppna diskmedelsbehållaren. Håll diskmedlet i behållaren **D**, som ska vara torr. Håll fördiskens diskmedel direkt i maskinbotten.



1. Se den ovanstående informationen när det gäller rätt mängd vid dosering av diskmedel. I diskmedelsfacket **D** finns det markeringar som underlättar doseringen.
2. Avlägsna diskmedelsrester från behållarens kanter och stäng locket med ett klick.
3. Stäng diskmedelsbehållarens lock genom att trycka på det tills spärren är ordentligt låst.

Diskmedelsbehållaren öppnas automatiskt i rätt moment baserat på programmet.

**Användning av diskmedel som inte är avsett för diskmaskiner kan orsaka funktionsfel eller skador på apparaten.**

## DAGLIG ANVÄNDNING

### 1. KONTROLLERA ANSLUTNINGEN TILL VATTENLEDNINGEN

Kontrollera att diskmaskinen är ansluten till vattenledningen och att kranen är öppen.

### 2. SÄTT PÅ DISKMASKINEN

Öppna luckan och tryck på knappen **PÅ/AV**.

### 3. STÄLL IN DISKGODSET (se STÄLLA IN DISKGODSET).

### 4. PÅFYLLNING AV DISKMEDELSBEHÅLLAREN

### 5. VÄLJ PROGRAM OCH STÄLL IN LÄMPLIG CYKEL

Välj det program som är mest lämpligt för typen av disk och hur smutsig disken är (se PROGRAMBESKRIVNING) genom att trycka på knappen för valt **PROGRAM**.

Välj önskade tillval (se TILLVAL OCH FUNKTIONER). Inte alla tillval kan väljas med alla program.

### 6. START

Starta diskprogrammet genom att trycka på knappen **START/Paus** (lysdioden lyser) och stänga luckan inom 4 sek. När programmet startar avges ett pip. Ett larm ljuder om luckan inte stängs inom fyra sekunder. Öppna i så fall luckan, tryck på knappen **START/Paus** och stäng luckan igen inom 4 sek.

### 7. PROGRAMSLUT

En ljudsignal anger att diskprogrammet är slut och på displayen visas **END** (slut). Öppna luckan och slå av maskinen genom att trycka på knappen **PÅ/AV**.

Vänta några minuter innan disken tas ut - för att undvika brännskador. Töm korgarna och börja med underkorgen.

## ÄNDRA ETT PROGRAM SOM KÖRS

Om du har valt fel program kan du ändra det, under förutsättning att det precis har börjat. **ÅTERSTÄLL** maskinen: Håll knappen **PÅ/AV** intryckt i mer än 3 sek tills maskinen stängs av. **Kontrollpanelen visar "0:01"**. Stäng luckan och vänta tills avrinningscykeln är avslutad (cirka 1 minut). Öppna luckan och slå på maskinen igen med knappen **PÅ/AV** och välj ett nytt diskprogram och eventuella önskade alternativ. Starta programmet genom att trycka på knappen **START/Paus** och stänga luckan inom 4 sek.

## LÄGGA IN MER DISK

Utan att stänga av maskinen ska du öppna luckan försiktigt för att undvika vattenstänk (lysdioden **START/Paus** börjar blinka) (Se upp! Varm ånga!) och sätta in disken i diskmaskinen. Tryck på knappen **START/Paus** och stäng luckan inom 4 sekunder för att fortsätta programmet där det avbröts.

## OAVSIKTLIGA AVBROT

Om luckan öppnas under diskprogrammet, eller om strömmen bryts, så avbryts programmet. **ENDAST OM DU TRYCKER PÅ** knappen **START/Paus** och stänger luckan inom 4 sekunder kommer programmet att fortsätta där det avbröts.

## RÅD OCH TIPS

### TIPS

Innan korgarna fylls ska alla matrester avlägsnas från porslinet och glaset tömmas. **Du behöver inte skölja diskgodset innan under rinnande vatten.** Placera porslinet så att det hålles ordentligt på plats och inte välter; och placera behållare med öppningen nedåt och de konkava/konkava delarna snett, så att vattnet kan nå alla ytorna och flöda fritt.

**VARNING:** lock, handtag, serveringsfat och stekjärn hindrar inte spolarmarna från att rotera.

Placera eventuella mindre föremål i bestickkorgen.

Mycket smutsig disk och pannor ska placeras i underkorgen för i denna avdelning spolas vattnet med större kraft och ger bättre diskprestanda.

När maskinen fyllts, kontrollera att spolarmarna kan rotera fritt.

### OLÄMPLIGT DISKGODS

- Diskgods och bestick i trä.
- Ömtåliga dekorerade glas, konstantverk och antikt porslin. Dekorationerna på dessa är inte beständiga.
- Delar i syntetmaterial som inte kan motstå höga temperaturer.
- Diskgods i koppar och tenn.
- Diskgods som har fläckar av aska, vax, smörjmedel eller bläck.

Färg på glasdekorationer och delar i aluminium/silver kan förändras och blekas under diskning. Vissa typer av glas (t.ex. kristallföremål) kan även bli ogenomskinliga efter ett antal diskcykler.

### SKADOR PÅ GLAS OCH PORSLIN

- Använd endast glas och porslin som garanterats som maskindisksäkert av tillverkaren.
- Använd ett mildt diskmedel som lämpar sig för glas och porslin för att undvika vita ränder på glasföremål.
- Avlägsna glas och porslin från diskmaskinen så snart diskcykeln avslutats.

## TIPS FÖR ENERGIBESPARING

- När hushållets diskmaskin används enligt tillverkarens anvisningar **förbrukar diskmaskinen vid diskning av porslin vanligtvis mindre energi och vatten än vid handdiskning.**
- För att maximera diskmaskinens effektivitet rekommenderas att du startar diskprogrammet först **när diskmaskinen är fulladdad.** En fulladdad diskmaskin som laddats upp till den kapacitet som anges av tillverkaren kommer att leda till energi- och vattenbesparingar i hemmet. Information om korrekt insättning av porslin finns i kapitlet **INSÄTTNING I KORGAR**. För en halvfull maskin rekommenderas det att använda speciella diskalternativ om de finns tillgängliga (Half load/ Zone Wash/ Multizone) (Halvfull/Zondisk/Multizon), så att du bara fyller på utvalda korgar. Felaktig insättning eller överbelastning av diskmaskinen kan öka resursanvändningen (såsom vatten, energi och tid, samt öka ljudnivån), vilket minskar rengörings- och torkprestandan.
- Manuell försköljning av porslin leder till ökad vatten- och energiförbrukning och rekommenderas inte.

## HYGIENISK

För att undvika lukt och avlagringar som kan samlas i diskmaskinen **ska man köra ett högtemperaturprogram minst en gång i månaden.** Använd en tesked diskmedel och kör det utan disk för att rengöra din apparat.

## MOTSTÅNDSKRAFT MOT FROST

Om maskinen ställs på en plats där den kan utsättas för frost **måste den tömmas helt på vatten.** Stäng vattenkranen, skruva loss inlopps- och avloppsslangen och låt allt vatten rinna ut. **Se till att avhårdningssystemet är fullt av löst regenereringssalt i saltbehållaren** så att maskinen skyddas mot temperaturer ned till -20 °C. Om maskinen har förvarats under frostförhållanden måste man låta maskinen stå i en omgivningstemperatur på minst 5 °C i **minst 24 timmar** innan den används.

## PROGRAMTABELL

Program	Programbeskrivning	Torkningsfas	NaturalDry	Tillgängliga tillval <sup>*)</sup>	Diskprogrammets varaktighet (h:min) <sup>**)</sup>	Vattenförbrukning (liter/program)	Energiförbrukning (kWh/program)
<b>Eco</b>	<b>Eco</b> 50° - Eko-programmet är lämpligt för rengöring av en normalt nedsmutsad bordsservis. Det är det effektivaste programmet med avseende på den kombinerade energi- och vattenförbrukningen för denna användning och det används i överensstämmelse med EU:s lagstiftning om ekodesign.	✓	✓		3:30	9,5	0,76
	<b>Snabb</b> 45° - Programmet rekommenderas för begränsad mängd lättsmutsig disk utan intorkade matrester. Det har ingen torkfas.	-	✓		0:30 - 0:40	10,0 - 12,0	0,55 - 0,65
	<b>Kristall</b> 45° - Program för ömtåliga föremål som är känsligare för höga temperaturer, t.ex. glas och koppar.	✓	✓		1:40 - 1:50	12,5 - 16,5	0,95 - 1,20
	<b>Auto Intensiv</b> 65° - Automatiskt program för väldigt smutsiga tallrikar och kastruller.	✓	✓		2:25 - 3:10	15,5 - 24,5	1,30 - 1,70
	<b>Auto Blandat</b> 55° - Automatiskt program för normalsmutsig disk med intorkade matrester.	✓	✓		1:20 - 3:00	7,5 - 19,5	0,75 - 1,20
	<b>Auto Snabb</b> 50° - Automatiskt program för normal- och lättsmutsig disk. Vardagsprogram som garanterar bra disk- och torkresultat på kort tid.	✓	✓		1:00 - 1:50	7,5 - 15,5	0,70 - 1,10
	<b>Fördisk</b> - Använd för att blöt lägga disk som ska diskas vid senare tillfälle. Inget diskmedel ska användas med detta program.	-	✓		0:12	4,5	0,10
	<b>Självrengöring</b> 65° - Program som ska användas för underhåll av diskmaskinen, som endast ska utföras när diskmaskinen är TOM med specifika tvättmedel utformade för diskmaskinsunderhåll.	-	-		1:15	11,0	1,10

EKO-programmets data har mätts i laboratorium enligt Europeisk Standard EN 60436:2020.

Notering för provlaboratorium: För information om villkoren för jämförelse provningen EN, skriv till e-postadress: [dw\\_test\\_support@whirlpool.com](mailto:dw_test_support@whirlpool.com)

Dysken behöver inte förbehandlas för något av programmen.

\*) Inte alla tillval kan användas samtidigt.

\*\*) Värden som ges för andra program än Eco-programmet är endast vägledande. Den verkliga tiden kan variera beroende på många faktorer så som temperatur och tryck på inloppsvatten, rumstemperatur, diskmedelsmängd, mängd och typ av disk, diskens jämvikt, ytterligare valda tillval och sensorkalibrering. Sensorkalibreringen kan öka diskmaskinens programtid upp till 20 min.

## TILLVAL OCH FUNKTIONER

**TILLVAL** kan väljas/tas bort direkt efter att ha valt programmet genom att trycka på motsvarande knapp (om tillgänglig - lampan lyser) (se **KONTROLLPANEL**). Om ett tillval inte är förenligt med det valda programmet (se **PROGRAMTABELL**), blinkar den motsvarande LED-lampan snabbt 3 gånger och pipsignaler hörs. Alternativet aktiveras inte. Ett tillval kan ändra tiden eller energiförbrukningen för programmet.

**HALVFULL** - Om det inte finns mycket disk att diska ska du använda **HALVFULL** för att spara på vatten, el eller tid beroende på vilket program som väljs. **Kom ihåg att halvera diskmedelsmängden.**

**TYSTGÄNDE** - Lämpar sig för användning av maskinen på natten. Detta tillval kan användas för att göra diskningen mer tystgående. Det kommer att öka programtiden beroende på vilket basprogram som valts.

**STERI SKÖLJ** - Det här alternativet kan användas för att sanitetsskölja disken. Temperaturen på den sista sköljningen höjs och antibakteriellt diskmedel läggs till för det valda programmet. Perfekt för att diska porslin och nappflaskor. Diskmaskinsluckan ska hållas stängd under hela programmet för att bakteriereducering ska kunna garanteras.

**VARNING: Porslin och tallrikar kan vara extremt varma i slutet av programmet.**

**POWER CLEAN®** - Tack vare de extra kraftstrålarna ger detta alternativ en mer intensiv i ett särskilt område i underkorgen. Detta tillval rekommenderas för att diska kastruller och grytor (se avsnittet Power Clean® i laddning).

**EXTRA TORR** - En högre temperatur under den sista sköljningen och en förlängd torkfas ger bättre torkning. Funktionen EXTRA TORR medför att diskprogrammet förlängs.

**FÖRDRÖJ** - Programmets start kan fördröjas i en tid från **0:30** och **24** timmar.

- Välj programmet och eventuella tillval. Tryck på fördröjningsknappen (flera gånger) för att senarelägga programstarten. Justerbar mellan 0:30 och 24 timmar. När inställningen 24 timmar är uppnådd trycker du på FÖRDRÖJ en gång till för att avaktivera fördröjningsfunktionen.
- Tryck på knappen START/Paus och stäng luckan inom 4 sekunder. Timern börjar nedräkningen.
- När tiden har gått släcks kontrollampan och programmet startar automatiskt.

**Fördröjningsfunktionen kan inte ställas in när ett program redan har startat.**

**STÄNGD VATTENKRAN - Larm** - Blinkar när vatten inte tas in eller kranen är stängd.

**TID PÅ GOLVET** - Ett ljus som projiceras på golvet visar hur lång tid det är kvar till slutet av programmet. Lampan släcks varje gång man öppnar luckan. Ljuset släcks i slutet av cykeln. Denna funktion är aktiv som standard, men kan avaktiveras i "INSTÄLLNINGSMENY".

**AVKALKKA - Larm** - Det har upptäckts kalkavlagringar på maskinens inre komponenter. Kontrollera att **Inställningen för vattnets hårdhet** är på rätt värde och att det finns **salt** i saltbehållaren (se **FÖRSTA ANVÄNDNING**). Använd sedan en **avkalkningsprodukt** (WPro-märket rekommenderas) med **programmet Självrengöring**. Efter en lyckad avkalkning visas inte längre symbolen.

Om ovanstående åtgärder inte utförs kommer produktens prestanda att försämrans.

Varningen AVKALKKA börjar blinka och larmet «dES» visas på displayen. Om ingen åtgärd fortfarande vidtas kommer maskinen bara att tillåta att ett visst antal cykler startas (anges under larmvisningen «dES»). Därefter kommer den att **BLOCKERAS** för att förhindra skador på komponenterna, och **endast programmet Självrengöring** kommer att vara tillgängligt. Efter en fullständig avkalkning kan produkten köras igen. Vid extremt stora mängder kalk kan avkalkning behöva utföras två gånger för att vara effektiv.

**NaturalDry** - Det är ett konvektionstorksystem som automatiskt öppnar luckan under/efter torkfasen för att säkerställa perfekt torkning varje dag. Luckan öppnas vid den temperatur som är säker för dina köksmöbler, så luckan kommer inte att öppnas när alternativet STERI SKÖLJ är aktiverat. Ett specialutformat ångskydd i form av en skyddsfolie medföljer diskmaskinen. Information om hur du monterar skyddsfolien finns i **INSTALLATIONSANVISNINGAR**.

Denna funktion är aktiv som standard, men kan avaktiveras i "INSTÄLLNINGSMENY".

**AVKÄNNANDE** - När sensorn känner av mängden smuts visas en animation på displayen (i ungefär 20 min) och programtiden uppdateras. Avkännandet avser diskens smutsnivå och är tillgängligt för alla program (utom Eko) och justerar programmet i enlighet med detta.

## STÄLLA IN DISKGODSET

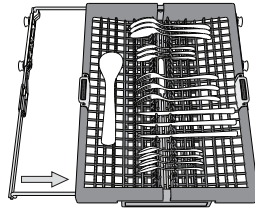
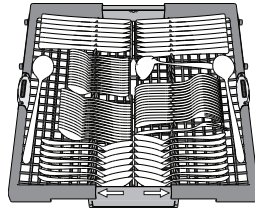
KAPACITET: 15 standardkuvert

### BESTICKKORG

Den tredje korgen har utarbetats för bestick. Placera besticken som på bilden. Genom att placera besticken på avstånd från varandra är det lättare att plocka ur dem efteråt och ger bättre disk- och torkresultat.

**Knivar och andra redskap med vassa kanter ska placeras i bestickkorgen med spetsen vänd nedåt.**

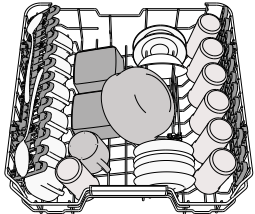
Bestickkorgen är försedd med två skjutvagnar för att optimera utrymmet i underkorgen och tillåta att placera höga föremål i överkorgen.



### ÖVERKORG

Placera ömtålig och lätt disk här: glas, koppar, tefat, låga salladsskålar. Överkorgen är försedd med uppfällbara stöd som kan användas i lodrätt läge för placering av tefat/efterrättstallrikar eller i det nedre läget för att ställa in skålar och matlådor.

(exempel på fyllning av överkorgen)

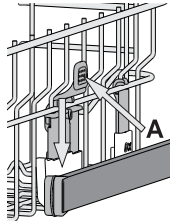


### Justera höjden på överkorgen

Höjden på överkorgen kan justeras: i högt läge för att placera skrymmande föremål i underkorgen och i lågt läge för att utnyttja de fällbara koppställerna och skapa större utrymme uppåt och undvika kontakt med diskgodset som placerats i underkorgen.

Överkorgen är försedd med en **Justeringsmekanism för överkorgen** (se bild). Lyft korgen utan att trycka på spakarna genom att ta tag i korgens sidor och släpp när korgen är stabil i sitt övre läge. För att sätta tillbaka den i det nedre läget, tryck på spakarna (A) på korgens sidor och flytta korgen nedåt.

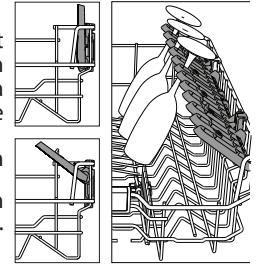
**Vi rekommenderar att du inte justerar höjden på korgen när den är full. Höj eller sänk ALDRIG korgen bara på ena sidan.**



### Fällbara koppställ med justerbart läge

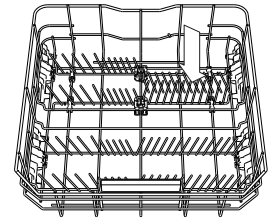
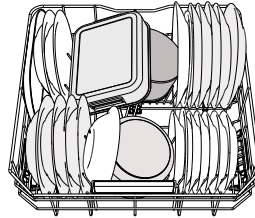
Sidokoppställningarna kan vikas in eller ut för att optimera placeringen av kärl i korgen. Vinglas kan placeras säkert i de vikbara koppställningarna genom att man för in glasens fot i de motsvarande springorna. Beroende på modell:

- för att vika ut ställningarna måste de skjutas upp och roteras eller släppas upp från fästena och dras ner.
- för att vika in ställningarna måste de roteras och skjutas ner eller dras upp och knäppas fast i fästena.



### UNDERKORG

För grytor, lock, tallrikar, salladsskålar, bestick o.s.v. Stora tallrikar och lock placeras bäst på sidorna för att undvika kontakt med spolarmen. Underkorgen är försedd med uppfällbara stöd som kan användas i lodrätt läge för placering av tallrikar eller i vågrätt läge (nedsänkta) för att lättare ställa in grytor och salladsskålar.



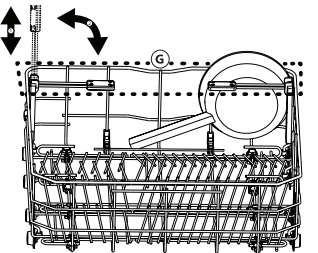
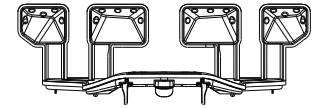
(exempel på fyllning av underkorgen)

### POWER CLEAN®

Power Clean® använder sig av speciella vattenstrålar i den bakre delen av diskrummet för att diska smutsig disk mer intensivt. När grytor/pannor placeras vända mot Utrymmeszon-enheten ska man aktivera **POWER CLEAN** på panelen.

Underkorgen har en Utrymmeszon, ett särskilt utdragbart stöd på korgens baksida som kan användas för att hålla stekjärn eller bakplåtar i upprätt läge så att de tar mindre plats.

- Användning av Power Clean®:
1. Justera Power Clean®-området (G) genom att fälla ned det bakre tallriksstället för att få plats med kastruller.
  2. Placera kastruller och stekpannor i Power Clean®-området med vertikal lutning. Kastrullerna måste lutas mot spolmunstyckena i Power Cleanområdet.



## SKÖTSEL OCH UNDERHÅLL

### RENGÖRING AV FILTERENHETEN

Rengör filterenheten regelbundet så att filtren inte igensätts och avloppsvattnet rinner ut som det ska.

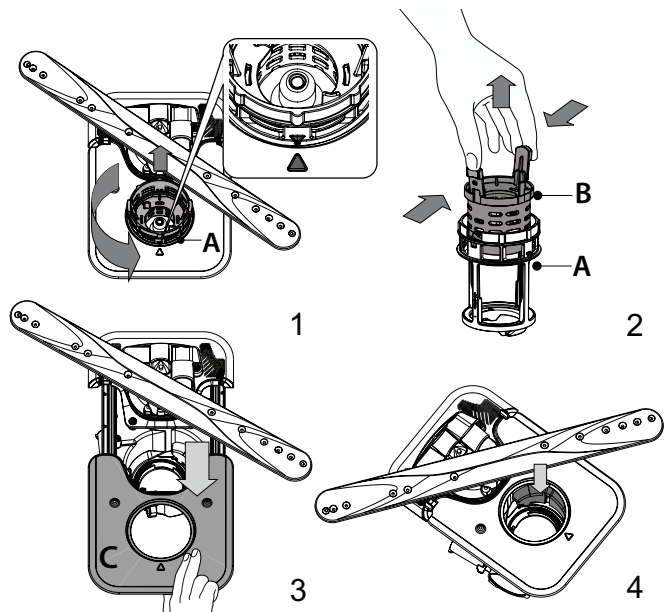
Användning av diskmaskin med tilltäppta filter eller främmande föremål i filtreringssystem eller sprayarmar kan orsaka funktionsfel på enheten, vilket kan leda till sämre prestanda, buller eller en högre resursanvändning. Filterenheten består av tre filter som avlägsnar matrester från diskvattnet och sen låter vattnet återcirkulera. De måste rengöras om du vill uppnå bästa resultat för varje diskning.

**Diskmaskinen får inte användas utan filter eller om filtret sitter löst.**

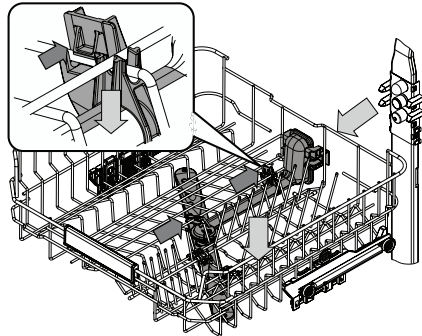
Kontrollera filterenheten och rengör den noga vid behov under rinnande vatten med en icke-metallisk borste åtminstone en gång per månad eller efter 30 program. Följ instruktionerna nedan:

1. Vrid det runda filtret A moturs och dra ut det (Figur 1). **Det är viktigt att de två triangelarna som visas på den inzoomade bilden möts när du sätter tillbaka filtret.**
2. Avlägsna det skålformade filtret B genom att trycka lätt på sidoflikarna (Figur 2).
3. Låt det rostfria platta filtret C glida ut (Figur 3).
4. Om du hittar främmande föremål (som trasigt glas, porslin, ben, fruktfrön etc.), avlägsna dem försiktigt.
5. Kontrollera fällan och ta bort eventuella matrester. **TA ALDRIG BORT** diskcykelns pumtskydd (visas med en pil) (Figur 4).

Efter rengöring av filtren, montera tillbaka filterenheten på plats på rätt sätt detta är nödvändigt för att man ska kunna bibehålla diskmaskinens effektivitet.

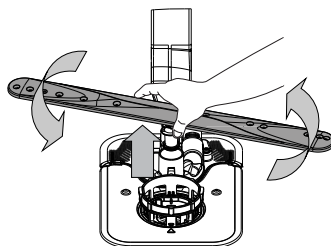


## RENGÖRING AV SPOLARMARNA

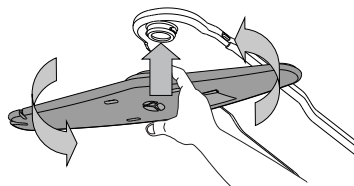


I vissa fall kan matrester fastna på spolarmarna och blockera hålen som vattnet spolat ut genom. Det rekommenderas därför att man kontrollerar spolarmarna lite då och då och rengör dem med en liten icke-metallisk borste.

För att ta bort den övre spolarmen måste även grenröret avlägsnas.



Den nedre spolarmen kan tas bort genom att dra den uppåt och vrida den moturs. Spolarmen monteras tillbaka genom att trycka den nedåt och vrida den medurs.



Den øvre sprayarmen kan fjernes ved å trekke den oppover og rotere den mot urviseren. Sprayarmen monteres tilbake ved å dra den oppover og rotere den med urviseren.

## FELSÖKNING

Om din diskmaskin inte fungerar ordentligt, kontrollera om problemet kan lösas genom att gå igenom följande lista. För andra fel eller problem, kontakta auktoriserad kundservice. Kontaktinformationen finns i garantihäftet. Reservdelar kommer att vara tillgängliga i en period på antingen upp till 7 eller upp till 10 år, beroende på de specifika lagkraven.

PROBLEM	MÖJLIGA ORSAKER	ÅTGÄRDER
Saltlampan är tänd	Saltbehållaren är nästan tom.	Fyll på salt i behållaren (se <i>PÅFYLLNING AV SALTBEHÅLLAREN</i> för mer information). Kontrollera vattenhårdhetens inställning om nödvändigt (se <i>VATTENHÅRDHETSTABELL</i> ).
Saltlampan blinkar	Saltbehållaren är tom.	Fyll på salt i behållaren så snart som möjligt. Om maskinen används utan salt kan dess inre komponenter skadas.
Spolglanslampan är tänd eller blinkar	Spolglansbehållaren är tom. (Spolglanslampan kan fortsätta att vara tänd en kort stund).	Fyll på spolglans i behållaren (se <i>PÅFYLLNING AV SKÖLJMEDELSBEHÅLLARE</i> för mer information).
Avkalkningslampan är tänd eller blinkar. Iarmet, „dES“ visas.	Kalkavlagringar samlas på maskinens inre komponenter.	Avkalka genast maskinen med hjälp av Självrengöringsprogrammet och en kommersiellt tillgänglig avkalkningsprodukt (se <i>TILLVAL OCH FUNKTIONER</i> ). Fyll behållaren med salt. Kontrollera vattenhårdhetens inställning. Om maskinen inte avkalkas kommer den att sluta fungera.
Diskmaskinen startar inte eller svarar inte på knapptryck.	Maskinen har inte anslutits till elnätet på rätt sätt.	För in kontakten i uttaget.
	Strömavbrott.	Av säkerhetsskäl startar inte diskmaskinen automatiskt när strömmen återställs. Öppna diskmaskinens lucka, tryck på knappen START/Paus och stäng luckan inom 4 sek.
	Diskmaskinluckan är inte stängd. Stiftet för NaturalDry är inte indraget.	Tryck hårt på luckan tills du hör ett „klick“.
	Programmen avbryts om luckan är öppen i mer än 4 sekunder.	Tryck på START/Paus och stäng luckan inom 4 sekunder.
Diskmaskinen töms inte. Displayen visar: <b>F7 E3</b> eller <b>F9 E1</b>	Filtret är igensatt av matrester eller kalk.	Rengör filtret och avkalka maskinen (se <i>RENGÖRING AV SPOLARMARNA</i> och <i>INSTRUKTIONER FÖR AVKALKNING</i> ).
	Avloppsslangen är vikt.	Kontrollera avloppsslangen (se <i>INSTALLATIONSINSTRUKTIONER</i> ).
	Diskhons avloppsrör är blockerat.	Rengör diskhons avloppsrör.
Diskmaskinen bullrar för mycket.	Disken skramlar mot varandra.	Placera porslinet rätt (se <i>STÄLLA IN DISKGODSET</i> ).
	Det finns för mycket skum.	Diskmedlet har inte doserats rätt, eller är inte lämpligt för användning i diskmaskin (se <i>FYLLA PÅ DISKMEDELSBEHÅLLAREN</i> ). Starta om det aktuella programmet genom att stänga av diskmaskinen och sedan slå på den igen, välj ett nytt program, trycka på START/Paus och stänga luckan inom 4 sekunder. Fyll inte på något diskmedel.
	Porslinet har inte placerats rätt.	Placera porslinet rätt (se <i>STÄLLA IN DISKGODSET</i> ).
	Filtret är igensatt av matrester eller kalk.	Rengör filterrenheten (se <i>SKÖTSEL OCH UNDERHÅLL</i> ).
Disken blir inte ren.	Porslinet har inte placerats rätt.	Placera porslinet rätt (se <i>STÄLLA IN DISKGODSET</i> ).
	Spolarmarna kan inte rotera fritt, de hindras av disken.	Placera porslinet rätt (se <i>STÄLLA IN DISKGODSET</i> ). Kontrollera att överkorgen sitter på rätt plats och justera den (höj den) om nödvändigt.
	Diskprogrammet är för mildt.	Välj ett lämpligt diskprogram (se <i>PROGRAMTABELL</i> ).
	Det finns för mycket skum.	Diskmedlet har inte doserats rätt, eller är inte lämpligt för användning i diskmaskin (se <i>PÅFYLLNING AV DISKMEDELSBEHÅLLAREN</i> ).
	Spolglansbehållarens lock är inte ordentligt stängt.	Kontrollera att locket till spolglansbehållaren är stängt.
	Filtret är igensatt av matrester eller kalk.	Rengör filtret och avkalka maskinen (se <i>RENGÖRA FILTERRENHETEN</i> ).
Saltbehållaren är tom.	Fyll saltbehållaren (se <i>PÅFYLLNING AV SALTBEHÅLLAREN</i> ).	

PROBLEM	MÖJLIGA ORSAKER	ÅTGÄRDER
Diskmaskinen tar inte in vatten. Displayen visar: <b>H2O</b> med tänd lampa och ett ljudlarm avges.	Inget vatten i vattenledningen eller stängd kran.	Kontrollera att det finns vatten i vattenledningen eller att kranen är öppen.
	Vatteninloppsslangen är vikt.	Kontrollera inloppsslangen (se <i>INSTALLATION</i> ). Öppna diskmaskinens lucka, tryck på knappen START/Paus och stäng luckan inom 4 sek.
	Silen i vatteninloppsslangen är igensatt. Den måste rengöras.	Kontrollera och rengör silen i vatteninloppsslangen. Öppna diskmaskinens lucka, tryck på knappen START/Paus och stäng luckan inom 4 sek.
Diskmaskinen avslutar programmet för tidigt. Displayen visar: <b>F8 E3</b>	Filtret är igensatt av matrester eller kalk.	Rengör filtret och avkalka maskinen (se <i>RENGÖRING AV SPOLARMARNA och INSTRUKTIONER FÖR AVKALKNING</i> ).
	Avloppsslangen är placerad för lågt eller sugts in i hemavloppssystemet.	Kontrollera om änden på avloppsslangen är placerad på rätt höjd (se <i>INSTALLATION</i> ). Kontrollera om den sugts in i hemavloppssystemet och montera en sifonbrytare/luftventil om nödvändigt.
	Det finns för mycket skum.	Diskmedlet har inte doserats rätt, eller är inte lämpligt för användning i diskmaskin (se <i>PÅFYLLNING AV DISKMEDELSBEHÅLLAREN</i> ).
	Luft i vattentillförseln.	Kontrollera vattenförsörjningen för läckor eller andra problem med luftinsläpp.
Disken blir inte helt torr.	Det saknas spolglans eller för låg dosering.	Se till att spolglansbehållaren är full (se <i>PÅFYLLNING AV SKÖLJMEDELSBEHÅLLAREN</i> ). All In One-tabletter ger inte lika bra torkeffekt som vid användning av flytande spolglans.
	Disken plockades ur efter att luckan öppnats automatiskt men innan programmet hade avslutats.	Se till att programmet har avslutats innan du börjar ta ut disken (se <i>DAGLIG ANVÄNDNING</i> ) eller är tom). För ännu bättre torkresultat rekommenderas att låta disken vara kvar i diskmaskinen med luckan öppen i ytterligare 15 minuter efter att programmet har avslutats.
	Disken sitter för platt.	Om det finns vattenpölar i hålrummen i koppar, muggar eller skålar kan du försöka ställa in disken (särskilt i överkorgen) på så sätt att större mängder vatten kan droppa ner innan torkningen börjar.
	Torkfasen ingår inte i det valda programmet.	Kontrollera i <i>PROGRAMTABELL</i> om det valda programmet har någon torkfas. Ett program utan torkfas kanske inte ger önskad torkeffekt, så det rekommenderas att ändra programvalet till ett program med torkfas.
	Disken är gjord av non-stick material eller plast.	Det är normalt att några vattendroppar finns kvar på sådant material.
Tallrikar och glas har blå ränder eller blåaktiga fläckar.	För hög spolglansdosering.	Ställ in doseringen på ett lägre värde.
Tallrikar och glas är täckta av kalkavlagringar eller vitaktig beläggning.	Saltbehållaren är tom.	Fyll på salt i behållaren så snart som möjligt. Om maskinen används utan salt kan dess inre komponenter skadas.
	Vattenhårdenheten har ställts in på ett för lågt värde.	Ställ in på ett högre värde (se <i>VATTENHÅRDHETSTABELL</i> ).
	Locket till saltbehållaren är inte ordentligt stängt.	Kontrollera och stäng locket på saltbehållaren.
	Spolglansbehållaren är tom eller doseringen av spolglans är för låg.	Fyll på spolglans i behållaren och kontrollera inställningen av dosering (för mer information - se <i>PÅFYLLNING AV SKÖLJMEDELSBEHÅLLAREN</i> ).
Diskmaskinen visar <b>F8 E5</b>	Ventilen är blockerad eller trasig.	Stäng vattenkranen om möjligt. Bryt inte strömförsörjningen. Kontakta service.

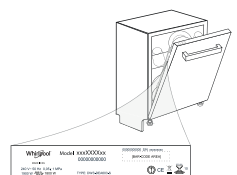


Du kan få åtkomst till regelverk, standarddokumentation, beställning av reservdelar och ytterligare produktinformation genom att:

- Använda QR-koden och besöka vår webbsida [docs.whirlpool.eu](https://docs.whirlpool.eu)
- Besöka vår webbsida [parts-selfservice.whirlpool.com](https://parts-selfservice.whirlpool.com)
- Eller, genom att kontakta vår kundservice (Se telefonnumret i garantihäftet).

När du kontaktar vår kundservice, ange koderna som står på produktens typskylt.

Modellinformationen kan hämtas med QR-koden som finns på energietiketten. Etiketten innehåller också modellidentifieraren som kan användas för att konsultera registerportalen på <https://eprel.ec.europa.eu>.





---

**400011655430C**  
06/2023 dk - Xerox Fabriano

