



THANK YOU FOR BUYING A WHIRLPOOL PRODUCT.
 In order to receive a more complete assistance, please register your appliance on: www.whirlpool.eu/register

Before using the appliance carefully read Safety and Installation Instructions. More information about your product available on website: docs.whirlpool.eu/docs

⚠ After installation, please remember to remove all transport protection parts from the dishwasher.

CONTROL PANEL

1. **ON-OFF/Reset** button with indicator light
2. **PREVIOUS program** button
3. **NEXT program** button
4. **FAVOURITE program** button with indicator light
5. **Salt reservoir empty** indicator light
6. **Rinse Aid** reservoir empty indicator light
7. **DESCALE** indicator light
8. **Closed Water Tap** indicator light
9. **Display**
10. **Program number and remaining time** indicator
11. **Power Clean® option** button with indicator light



12. **Half Load option** button with indicator light/ **Settings** - 3 sec. press
13. **Extra Dry option** button with indicator light
14. **Delay option** button with indicator light
15. **START/Pause** button with indicator light

FIRST TIME USE

SETTING MENU

1. Switch on the appliance by pressing the **ON-OFF** button.
2. Hold the **Settings** (Half Load) button for 3 seconds, until you hear a beep and the display shows „Set“.
3. After one second the first available setting (letter „h“) will be displayed.
4. Press **PREVIOUS**/**NEXT** to scroll through the list of available settings (see table below), then press **START/Pause** to view and change the value of the currently selected setting.
5. Press **PREVIOUS**/**NEXT** to change the value, then press **START/Pause** to save the new value and return to the main menu.
6. To change another setting, repeat points 4 and 5.
7. Press **ON-OFF** or wait 30 seconds to exit the menu.

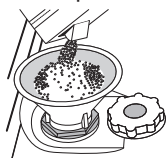
LETTER	SETTING	VALUES (Default - in bold)
h	Water Hardness Level <i>(see "SETTING THE WATER HARDNESS" and "WATER HARDNESS TABLE")</i>	1 2 3 4 5
f	Rinse Aid Level <i>(see "ADJUSTING THE DOSAGE OF RINSE AID")</i>	0 1 2 3 4 5
d	NaturalDry <i>(see "OPTIONS AND FUNCTIONS")</i> "1" = On, "0" = Off	1 0
s	Sound "1" = On, "0" = Off	1 0
r	Factory Settings Press START/Pause to restore to the factory default all the values of the settings included in the settings menu.	-

FILLING THE SALT RESERVOIR

The use of salt prevents the formation of LIMESCALE on the dishes and on the machine's functional components.

The salt reservoir is located in the lower part of the dishwasher (under the lower rack on the left side).

- It is mandatory that **the salt reservoir never be empty.**
- It is important to set the water hardness.
- Salt must be filled when the **SALT REFILL** indicator light on the control panel is lit.



1. Remove the lower rack and unscrew the reservoir cap (anticlockwise).
2. Position the funnel (see figure) and fill the salt reservoir right up to its edge (approximately 0,5 kg); it is not unusual for a little water to leak out.
3. **Only the first time you do this: fill the salt reservoir with water.**

4. Remove the funnel and wipe any salt residue away from the opening. Make sure the cap is screwed on tightly so that no detergent can get into the container during the wash program (this could damage the water softener beyond repair). **Run a program every time as soon as you completed refilling the salt reservoir to avoid corrosion.**

Setting the water hardness

To allow the water softener to work in a perfect way, it is essential that the water hardness setting is based on the actual water hardness in your house. This information can be obtained from your local water supplier. The factory setting is "3". See „WATER HARDNESS TABLE“.

To change, follow instructions in section "SETTING MENU".

Only use salt that has been specifically designed for dishwashers.

After the salt has been poured into the machine, the **SALT REFILL** indicator light switches off. **If the salt container is not filled, the water softener and the heating element may be damaged as a result of limescale accumulation. Use of salt is recommended with any type of dishwasher detergent.**

Water Hardness Table

Level	°dH German degrees	°fH French degrees	°Clark English degrees
1 (soft)	0 - 6	0 - 10	0 - 7
2 (medium)	7 - 11	11 - 20	8 - 14
3 (average)	12 - 16	21 - 29	15 - 20
4 (hard)	17 - 34	30 - 60	21 - 42
5 (very hard)	35 - 50	61 - 90	43 - 62

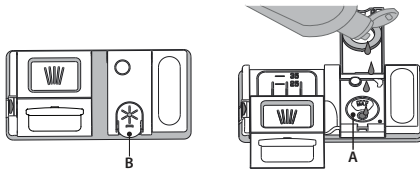
WATER SOFTENING SYSTEM

Water softener automatically reduces water hardness, consequently preventing scale buildup on the heater, contributing also to better cleaning efficiency. **This system regenerates itself with salt, therefore it is required to refill the salt container when empty.** The frequency of regeneration depends on the water hardness level setting - regeneration takes place once per 4-6 Eco cycles with the water hardness level set to 3. The regeneration process occurs at the beginning of the cycle with additional fresh water.

- Single regeneration consumes: ~3L of water;
- Takes up to 5 additional minutes for the cycle;
- Consumes below 0.005kWh of energy.

FILLING THE RINSE AID DISPENSER

Rinse aid makes dish DRYING easier. The rinse aid dispenser **A** should be filled when the **RINSE AID REFILL** indicator light in the control panel is lit.



1. Open the dispenser **B** by pressing and pulling up the tab on the lid.
2. Pour in the rinse aid (max.110 ml), making sure it does not overflow from the dispenser. If this happens, clean the spill immediately with a dry cloth.

3. Press the lid down until you hear a click to close it. **NEVER pour the rinse aid directly into the appliance tub.**

Adjusting the dosage of rinse aid

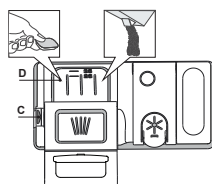
If you are not completely satisfied with the drying results, you can adjust the quantity of rinse aid used.

To change, follow the instructions in the section "SETTING MENU". If the rinse aid level is set to ZERO, no rinse aid will be supplied. The **LOW RINSE AID indicator light** will not be lit if you run out of rinse aid.

A maximum of 6 levels can be set according to the dishwasher model.

- If you see bluish streaks on the dishes, set a low number (0-3).
- If there are drops of water or limescale marks on the dishes, set a mid-range number (4-5).

FILLING THE DETERGENT DISPENSER



To open the detergent dispenser use the opening device C. Introduce the detergent into the dry dispenser D only. Place the amount of detergent for pre-washing directly inside the tub.

1. When measuring out the detergent refer to the mentioned earlier information to add the proper quantity. Inside the dispenser **D**, there are indications to help the detergent dosing.
2. Remove detergent residues from the edges of the dispenser and close the cover until it clicks.
3. Close the lid of the detergent dispenser by pulling it up until the closing device is secured in place.

The detergent dispenser automatically opens up at the right time according to the program. **Usage of detergent not designed for dishwashers may cause malfunction or damage to the appliance.**

DAILY USE

1. CHECK WATER CONNECTION

Check that the dishwasher is connected to the water supply and that the tap is open.

2. SWITCH ON THE DISHWASHER

Open the door and press the **ON/OFF** button.

3. LOAD THE RACKS (see *LOADING THE RACKS*).

4. FILL THE DETERGENT DISPENSER

5. CHOOSE THE PROGRAM AND CUSTOMISE THE CYCLE

Select the most appropriate program in accordance with the type of crockery and its soiling level (see *PROGRAMS DESCRIPTION*) by pressing the **PREVIOUS/NEXT** buttons.

Select the desired options (see *OPTIONS AND FUNCTIONS*). Not all options are compatible with all programs.

6. START

Start the wash cycle by pressing **START/Pause** button (led is lit) and closing the door within 4 sec. When the program starts you hear a single beep. If the door was not closed within 4sec., the alarm sound will be played. In this case, open the door, press **START/Pause** button and close the door again within 4 sec.

7. END OF WASH CYCLE

The end of the wash cycle is indicated by sound and the display shows **END**. Open the door and switch off the appliance by pressing the **ON/OFF** button.

Wait for a few minutes before removing the crockery - to avoid burns. Unload the racks, beginning with the lower one.

MODIFYING A RUNNING PROGRAM

If a wrong program was selected, it is possible to change it, provided that it has only just begun. **RESET** the machine: press and hold the **ON/OFF** button for more than 3. sec., and the machine will switch off. **The dashboard will show "0:01"**. Close the door and wait until drain cycle ends (around 1 minute). Open the door and switch the machine back on using the **ON/OFF** button and select the new wash cycle and any desired options. Start the cycle by pressing the **START/Pause** button and closing the door within 4 sec.

ADDING EXTRA CROCKERY

Without switching off the machine, open the door first slightly to avoid water splashing out (**START/Pause** led starts blinking) (**Caution! Hot steam!**) and place the crockery inside the dishwasher. Press the **START/Pause** button and close the door within 4 sec., the cycle will resume from the point at which it was interrupted.

ACCIDENTAL INTERRUPTIONS

If the door is opened during the wash cycle, or if there is a power cut, the cycle stops. **ONLY IF YOU PRESS** the **START/Pause** button and close the door within 4 sec., the cycle will resume from the point at which it was interrupted.

ADVICE AND TIPS

TIPS

Before loading the baskets, remove all food residues from the crockery and empty the glasses. **You do not need to rinse beforehand under running water.**

Arrange the crockery so that it is held in place firmly and does not tip over; and arrange the containers with the openings facing downwards and the concave/convex parts placed obliquely, thus allowing the water to reach every surface and flow freely.

Warning: lids, handles, trays and frying pans should not prevent the spray-arms from rotating.

Place any small items in the cutlery basket.

Very soiled dishes and pans should be placed in the lower basket because in this sector the water sprays are stronger and allow a higher washing performance.

After loading the appliance, make sure that the sprayer arms can rotate freely.

UNSUITABLE CROCKERY

- Wooden crockery and cutlery.
- Delicately decorated glasses, artistic handicrafts and antique crockery. Their decorations are not resistant.
- Parts in synthetic material which do not withstand high temperatures.
- Copper and tin crockery.
- Crockery soiled with ash, wax, lubricating grease or ink.

The colours of glass decorations and aluminium/silver pieces can change and fade during the washing process. Some types of glass (e.g. crystal objects) can become opaque after a number of wash cycles too.

DAMAGE TO GLASS AND CROCKERY

- Only use glasses and porcelain guaranteed by the manufacturer as dishwasher safe.
- Use a delicate detergent suitable for crockery
- Collect glasses and cutlery from the dishwasher as soon as the wash cycle is over.

TIPS ON ENERGY SAVING

- When the household dishwasher is used according to the manufacturer's instructions, **washing tableware in a dishwasher usually consumes less energy and water than hand dishwashing.**
- In order to maximize dishwasher efficiency, it is recommended to **initiate the wash cycle once the dishwasher is fully loaded.** Loading the household dishwasher up to the capacity indicated by the manufacturer will contribute to energy and water savings. Information on the correct loading of tableware can be found in the Loading chapter. In case of partial loading, it is recommended to use a dedicated wash options if available (Half load/ Zone Wash/ Multizone), filling up only selected racks. Incorrect loading or overloading of the dishwasher may increase resources usage (such as water, energy and time, as well as increase noise level), reducing cleaning and drying performance.
- Manual pre-rinsing of tableware items leads to increased water and energy consumption and is not recommended.

HYGIENE

To avoid odour and sediment which can be accumulated in the dishwasher **please run a high-temperature program at least once a month.** Use a teaspoon of detergent and run it without loading to clean your appliance.

RESISTANCE TO FROST

If the appliance is placed in surroundings exposed to the risk of frost, it **must be drained completely.** Turn off the water tap, remove the inlet and outlet hoses, and let all the water drain away. **Make sure that the water softener is full of dissolved regeneration salt in the salt container,** to protect the appliance from temperatures of up to -20°C.

If the appliance was stored in frost conditions the appliance must remain at an ambient temperature of min. 5°C for **at least 24 hours** before the first run.

PROGRAMS TABLE

Program	Programs description	Drying phase	NaturalDry	Available options *)	Duration of wash program (h:min)**)	Water consumption (litres/cycle)	Energy consumption (kWh/cycle)
P1 Eco	Eco 50° - Program is suitable to clean normally soiled tableware, that for this use, it is the most efficient program in terms of its combined energy and water consumption, and that it is used to assess compliance with the EU Ecodesign legislation.	✓	✓		3:30	9.5	0.76
P2	Auto Intensive 65° - Automatic program for heavily soiled dishes and pans.	✓	✓		2:25-3:10	15.5-24.5	1.30-1.70
P3	Auto Mixed 55° - Automatic program for normally soiled dishes with dried food residues.	✓	✓		1:20-3:00	7.5-19.5	0.75-1.20
P4	Auto Fast 50° - Automatic program for normally and lightly soiled dishes. The everyday cycle that ensures optimal cleaning and drying performance in a shorter time.	✓	✓		1:00-1:50	7.5-15.5	0.70-1.10
P5	Rapid 45° - Program is recommended for limited amount of lightly-soiled dishes with no dried food residues. Does not include the drying phase.	-	✓		0:30-0:40	10.0-12.0	0.55-0.65
P6	Crystals 45° - Program for delicate items, which are more sensitive to high temperatures, for example, glasses and cups.	✓	✓		1:40-1:50	12.5-16.5	0.95-1.20
P7	Silent 55° - Suitable for night-time operation of the appliance. Ensures optimal cleaning and drying performance with the lowest noise emission.	✓	✓		3:50-4:10	10.5-14.5	0.80-1.15
P8	Sanitizing 65° - Normally or heavily soiled crockery, with additional antibacterial wash. Can be used to perform maintenance of the dishwasher.	✓	-		1:55-2:10	12.0-19.0	1.40-1.80
P9	Prewash - Used to refresh crockery planned to be washed later. No detergent is to be used with this program.	-	✓		0:12	4.5	0.10
P10	Self Clean 65° - Program to be used to perform maintenance of the dishwasher, to be carried out only when the dishwasher is EMPTY using specific detergents designed for dishwasher maintenance.	-	-		1:15	11.0	1.10

ECO program data is measured under laboratory conditions according to European Standard EN 60436:2020.

Note for Test Laboratories: For information on comparative EN testing conditions, please send an email to the following address: dw_test_support@whirlpool.com

Pre-treatment of the dishes is not needed before any of the programs.

*) Not all options can be used simultaneously.

**) Values given for programs other than the program Eco are indicative only. The actual time may vary depending on many factors such as temperature and pressure of the incoming water, room temperature, amount of detergent, quantity and type of load, load balancing, additional selected options and sensor calibration. The sensor calibration can increase program duration by up to 20 min.

OPTIONS AND FUNCTIONS

OPTIONS can be selected/ deselected, after choosing the program, directly by pressing the corresponding button (if available - the indicator lights up) (see CONTROL PANEL). If an option is not compatible with the selected program (see PROGRAMS TABLE), the corresponding LED flashes rapidly 3 times and beeps will sound. The option will not be enabled. An option can change time or water or energy consumption for the program.

POWER CLEAN® - Thanks to the additional power jets this option provides a more intensive and powerful wash in the lower rack, in the specific area. This option is recommended for washing pots and casseroles (please refer to the Power Clean® in loading section).

HALF LOAD - If there are not many dishes to be washed, HALF LOAD is used to save water, electricity or time, depending on the selected program. **Remember to reduce the amount of detergent.**

EXTRA DRY - The higher temperature during the final rinse and the extended drying phase which allows for improved drying. The EXTRA DRY option results in the lengthening of the wash cycle.

DELAY - The start of the program may be delayed for a period of time between **0:30** and **24** hours.

1. Select the program and any desired options. Press the DELAY button (repeatedly) to delay the start of the program. Adjustable from 0:30 to 24 hours. Once the 24 hours setting is reached, press the DELAY another time to deactivate the DELAY function.
2. Press the START/Pause button and close the door within 4 sec. the timer will begin counting down.
3. Once this time has elapsed, the indicator light switches off and the program begins automatically.

The DELAY function cannot be set once a program has been started.

SENSING - When the sensor is detecting the soil level an animation appears in the display (around 20 min.) and the cycle duration is updated. SENSING is for the level of soiling on the dishes and it is present for all cycles (excepting Eco) adjusting the program accordingly.

WATER TAP CLOSED - Alarm - Flashes when there is no inlet water or water tap is closed.

NaturalDry - It is a convection drying system which automatically opens the door during/after the drying phase to ensure exceptional drying performance every day. The door opens at a temperature that is safe to your kitchen furniture.

As additional steam protection, specially designed protection foil is added together with the dishwasher.

To see how to mount protection foil please refer to INSTALLATION GUIDE. This feature is active by default, but it is possible to deactivate it in the "SETTINGS MENU".

DESCALE - Alarm - Limescale accumulation was detected on the internal components of the appliance. Check if the **Water Hardness Setting** is at the correct value and **salt** is present in the salt container (see **FIRST TIME USE**), then **use a descaling product** (WPro brand is recommended) with the **Self-Clean program**. After a successful descaling, the icon will stop being displayed.

If the actions above are not performed, product performance will deteriorate. DESCAL warning will start blinking and «**DES**» alarm will appear on the display. If still no action is taken, the appliance will only allow a certain number of cycles to be started (indicated during «**DES**» alarm display) and then will be **BLOCKED** to prevent component damage, **with only the Self-Clean program available**. Performing a full descaling will unblock the product. In the case of extremely high amounts of limescale, descaling may have to be performed twice to be efficient.

FAVOURITE PROGRAM - The FAVOURITE program may be saved and will be easily accessible. Find the program using PREVIOUS/NEXT, and then press the FAVOURITE program button for 3 seconds.

LOADING THE RACKS

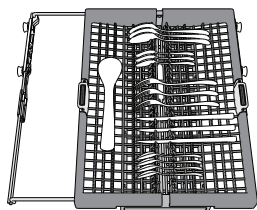
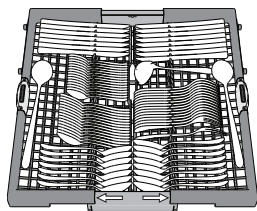
CAPACITY: 15 standard place-settings

CUTLERY RACK

The third rack was designed to house the cutlery. Arrange the cutlery as shown in the figure. A separate arrangement of the cutlery makes collection easier after washing and improves washing and drying performance.

Knives and other utensils with sharp edges must be positioned with the blades facing downwards.

The cutlery rack is equipped with two sliding side trays to make the most of the height of the space below and enable the loading of high items into the upper rack.

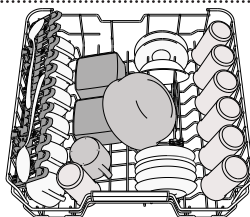


UPPER RACK

Load delicate and light dishes: glasses, cups, saucers, low salad bowls.

The upper rack has tip-up supports which can be used in a vertical position when arranging tea/ dessert saucers or in a lower position to load pans and food containers.

(loading example for the upper rack)



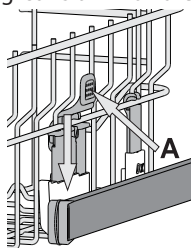
Adjusting the height of the upper rack

The height of the upper rack can be adjusted: a high position to place bulky crockery in the lower basket and low position to make the most of the tip-up supports loaded by creating more space upwards and avoiding collision with the items loaded into the lower rack.

The upper rack is equipped with an **Upper Rack height adjuster** (see figure), without pressing the levers, lift it up by simply holding the rack sides, as soon as the rack is stable in its upper position. To restore to the lower position, press the levers **A** at the sides of the rack and move the basket downwards.

We strongly recommend that you do not adjust the height of the rack when it is loaded.

NEVER raise or lower the basket on one side only.

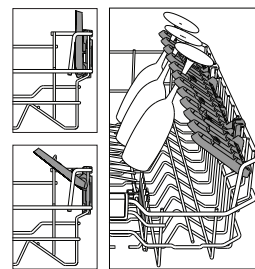


Foldable flaps with adjustable position

The side foldable flaps can be folded or unfolded to optimize the arrangement of crockery inside the rack. Wine glasses can be placed safely in the foldable flaps by inserting the stem of each glass into the corresponding slots.

Depending on the model:

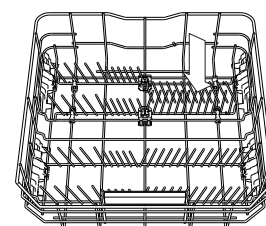
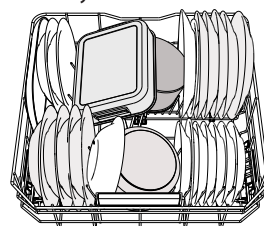
- to unfold the flap there is needed to slide it up and rotate or release it from the snaps and pull it down.
- to fold the flap there is needed to rotate it and slide flap down or pull it up and attach flap to the snaps.



LOWER RACK

For pots, lids, plates, salad bowls, cutlery etc. Large plates and lids should ideally be placed at the sides to avoid interferences with the spray arm.

The lower rack has tip-up supports which can be used in a vertical position when arranging plates or in a horizontal position (lower) to load pans and salad bowls easily.



(loading example for the lower rack)

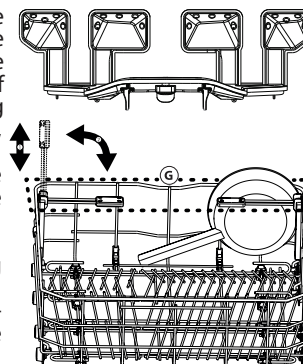
POWER CLEAN®

Power Clean® uses the special water jets in the rear of the cavity to wash more intensively the highly dirty items. The lower rack has a Space Zone, a special pull-out support in the rear of the rack that can be used to support frying pans or baking pans in an upright position, thus taking up less space.

Placing the pots/casseroles faced to the Power Clean® component please activate the **POWER CLEAN®** on the panel.

How to use the Power Clean®:

1. Adjust the Power Clean® area **G** folding down the rear plate holders to load pots.
2. Load pots and casseroles inclined vertically in the Power Clean® area. Pots have to be inclined towards the powerful water jets.



CARE AND MAINTENANCE

CLEANING THE FILTER ASSEMBLY

Regularly clean the filter assembly so that the filters do not clog and that the waste water flows away correctly.

Using the dishwasher with clogged filters or foreign objects inside the filtration system or spray arms may cause unit malfunction resulting in loss of performance, noisy work or higher resources usage.

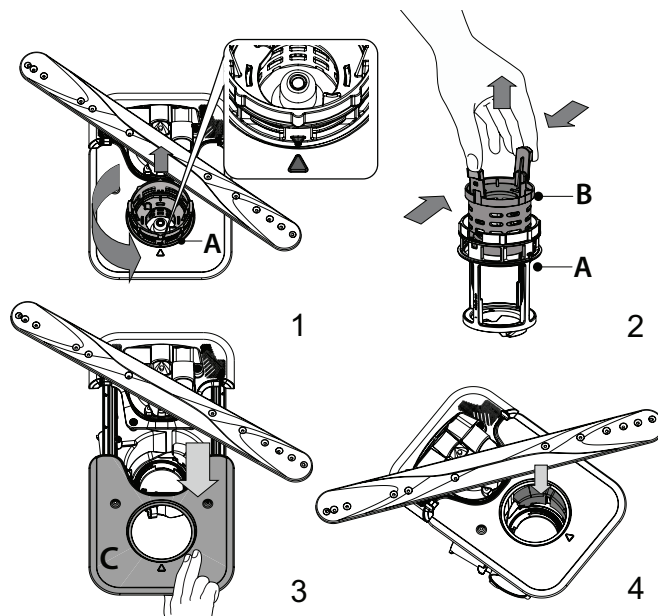
The filter assembly consists of three filters which remove food residues from the washing water and then recirculate the water.

The dishwasher must not be used without filters or if the filter is loose.

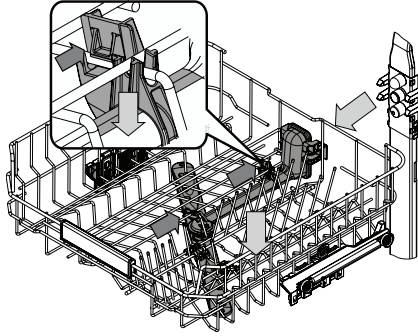
At least once per month or after every 30 cycles, check the filter assembly and if necessary clean it thoroughly under running water, using a non-metallic brush and following the instructions below:

1. Turn the cylindrical filter **A** in an anti-clockwise direction and pull it out (Fig 1). **It is important when reinstalling the filter that the two triangles shown on the zoom meet.**
2. Remove the cup filter **B** by exerting a slight pressure on the side flaps (Fig 2).
3. Slide out the stainless-steel plate filter **C** (Fig 3).
4. In case you find foreign objects (such as broken glass, porcelain, bones, fruit seeds etc.) **please remove them carefully.**
5. Inspect the trap and remove any food residues. **NEVER REMOVE** the wash-cycle pump protection (shown by an arrow) (Fig 4).

After cleaning the filters, replace the filter assembly and fix it in position correctly; this is essential for maintaining the efficient operation of the dishwasher.

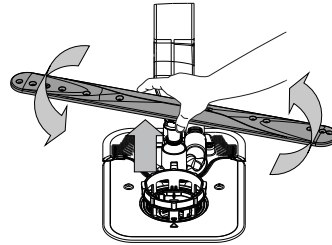


CLEANING THE SPRAY ARMS

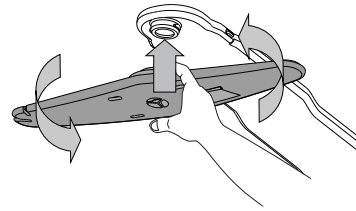


On occasions, food residue may become encrusted onto the spray arms and block the holes used to spray the water. It is therefore recommended that you check the arms from time to time and clean them with a small non-metallic brush.

To remove the upper spray arm you must remove it together with the manifold.



The lower spray arm may be removed by pulling it upwards and rotating it anti-clockwise. Mounting back the spray arm is by pulling it down and rotating it clockwise.



The top spray arm may be removed by pressing it up and then rotating it anti-clockwise. Mounting back the spray arm is by pulling it upwards and rotating it clockwise.

TROUBLESHOOTING

In case your dishwasher doesn't work properly, check if the problem can be solved by going through the following list. For other errors or issues please contact authorized After-sales Service whose contact details can be found in the warranty booklet. Spare parts will be available for a period of either up to 7 or up to 10 years, according to the specific Regulation requirements.

PROBLEMS	POSSIBLE CAUSES	SOLUTIONS
The salt indicator is lit	Salt reservoir is almost empty.	Refill the reservoir with salt (for more information - see <i>FILLING THE SALT RESERVOIR</i>). Check the water hardness setting if necessary (see <i>WATER HARDNESS TABLE</i>).
The salt indicator is blinking	Salt reservoir is empty.	Refill the reservoir with salt as soon as possible. Using the appliance without salt may cause damage to its internal components.
The rinse aid indicator is lit or blinking	Rinse aid dispenser is empty. (After refill the rinse aid indicator may remain lit for a short time).	Refill the dispenser with rinse aid (for more information - see <i>FILLING THE RINSE AID DISPENSER</i>).
Descale indicator is lit or blinking; "des" alarm is displayed.	Limescale is accumulating on internal components of the appliance.	Descale the appliance immediately using the Self Clean program and a commercially available descaling product (see <i>OPTIONS AND FUNCTIONS</i>). Refill the reservoir with salt. Check the water hardness setting. If the appliance is not descaled, it will stop functioning.
The dishwasher won't start or does not respond to commands.	The appliance has not been plugged in properly.	Insert the plug into the socket.
	Power outage.	For safety reasons, the dishwasher will not restart automatically when power returns. Open dishwasher door, press START/Pause button and close the door within 4 seconds.
	The dishwasher door is not closed. NaturalDry pin is not pulled in.	Vigorously push the door until you hear the "click".
	A cycle is interrupted by door opening for more than 4 seconds.	Press START/Pause and close the door within 4 seconds.
The dishwasher won't drain. Display shows: F7 E3 or F9 E1	The filter is clogged with food residues or limescale	Clean the filter and descale the appliance (see <i>CLEANING THE FILTER ASSEMBLY and DESCALE INSTRUCTION</i>).
	The drain hose is kinked.	Check the drain hose (see <i>INSTALLATION INSTRUCTION</i>).
	The sink drain pipe is blocked.	Clean the sink drain pipe.
The dishwasher makes excessive noise.	Dishes are rattling against each other.	Position the crockery correctly (see <i>LOADING THE RACKS</i>).
	An excessive amount of foam is present.	The detergent has not been measured out correctly or it is not suitable for use in dishwashers (see <i>FILLING THE DETERGENT DISPENSER</i>). Restart the current cycle by switching OFF the dishwasher, then switch it on again, select a new program, press START/Pause and close the door within 4 seconds. Please do not add any detergent.
	Crockery has not been arranged properly.	Arrange the crockery correctly (see <i>LOADING THE RACKS</i>).
	The filter is clogged with food residues or limescale.	Clean the filter assembly (see <i>CARE AND MAINTENANCE</i>).
The dishes are not clean.	Crockery has not been arranged properly.	Arrange the crockery correctly (see <i>LOADING THE RACKS</i>).
	Spray arms cannot rotate freely, being hindered by the dishes.	Arrange the crockery correctly (see <i>LOADING THE RACKS</i>). Check that the upper rack is in the correct position and adjust (lift up) if necessary.
	The wash cycle is too gentle.	Select an appropriate wash cycle (see <i>PROGRAMS TABLE</i>).
	An excessive amount of foam is present.	The detergent has not been measured out correctly or it is not suitable for use in dishwashers (see <i>FILLING THE DETERGENT DISPENSER</i>).
	The cap on the rinse aid compartment has not been closed correctly.	Make sure the cap of the rinse aid dispenser is closed.
	The filter is clogged with food residues or limescale.	Clean the filter and descale the appliance (see <i>CLEANING THE FILTER ASSEMBLY</i>).
The dishwasher does not fill the water. The display shows: H2O and is lit; acoustic alarm sounds.	The salt reservoir is empty.	Fill the salt reservoir (see <i>FILLING THE SALT RESERVOIR</i>).
	No water in the water supply or the tap is closed.	Make sure there is water in the water supply and the water tap is open.
	The water inlet hose is kinked.	Check the inlet hose (see <i>INSTALLATION</i>). Open dishwasher door, press START/Pause button and close the door within 4 seconds.
	The screen in the water inlet hose is clogged; it is necessary to clean it.	Check and clean the screen in the water inlet hose. Open dishwasher door, press START/Pause button and close the door within 4 seconds.

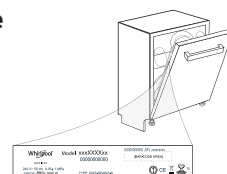
PROBLEMS	POSSIBLE CAUSES	SOLUTIONS
The dishwasher finishes the cycle prematurely. The display shows: F8 E3	The filter is clogged with food residues or limescale.	Clean the filter and descale the appliance (see <i>CLEANING THE FILTER ASSEMBLY and DESCALE INSTRUCTION</i>).
	Drain hose positioned too low or siphoning into the home sewage system.	Check if the end of the drain hose is placed at the correct height (see <i>INSTALLATION</i>). Check for siphoning into the home sewage system, and install a siphon breaker/air admittance valve if necessary.
	An excessive amount of foam is present.	The detergent has not been measured out correctly or it is not suitable for use in dishwashers (see <i>FILLING THE DETERGENT DISPENSER</i>).
	Air in the water supply.	Check water supply for leaks or other issues letting air inside.
The dishes are not dried well.	Rinse aid is not present or the dosage is too low.	Make sure the rinse aid dispenser is filled (see <i>FILLING THE RINSE AID DISPENSER</i>). Multifunctional tablets only will not provide as good drying effects as the actual use of liquid rinse aid.
	The dishes have been unloaded after the door was opened automatically but before the actual cycle end.	Make sure the cycle has ended before starting to unload the dishes (see <i>DAILY USE</i>). For even better drying results, it is recommended to let the dishes sit inside the dishwasher with the door open for additional 15 minutes after the cycle ends.
	The dishes are sitting too flat.	If you notice puddles of water inside cavities of cups, mugs or bowls, try loading the dishes (especially in the upper rack) providing more inclination to let larger amounts of water drip down before drying starts.
	The selected cycle does not have the drying phase.	Please check in the <i>PROGRAMS TABLE</i> if the selected program is equipped in the drying phase. A cycle without the drying phase may not deliver desired drying efficiency, so it is recommended to change cycle selection for the one that has the drying phase.
Dishes and glasses have blue streaks or bluish tinges.	The dishes are made of non-stick or plastic.	Some water drops remaining on this type of material are normal.
	Rinse aid dosage is excessive.	Adjust the dosage to a lower setting.
Dishes and glasses are covered with limescale or a whitish film.	The salt reservoir is empty.	Refill the reservoir with salt as soon as possible. Using the appliance without salt may cause damage to its internal components.
	The water hardness setting is too low.	Increase the setting (see <i>WATER HARDNESS TABLE</i>).
	The cap of the salt reservoir is not properly closed.	Check and close the salt reservoir cap.
	The rinse aid reservoir is empty or the rinse aid dosage is insufficient.	Refill the dispenser with rinse aid and check the dosage setting (for more information - see <i>FILLING THE RINSE AID DISPENSER</i>).
The dishwasher shows F8 E5	Valve is blocked or faulty.	Close the water tap, if possible. Do not switch off the power supply. Call the service.



Policies, standard documentation, ordering of spare parts and additional product information can be found by:

- Using QR code and visiting our website: docs.whirlpool.eu/docs
- Visiting our website: parts-selfservice.europeanappliances.com
- Alternatively, **contact our After-sales Service** (See phone number in the warranty booklet). When contacting our After-sales Service, please state the codes provided on your product's identification plate.

The model information can be retrieved using the QR-Code reported in the energy label. The label also includes the model identifier that can be used to consult the portal of the registry at <https://eprel.ec.europa.eu>





DĚKUJEME VÁM, ŽE JSTE SI ZAKOUPILI VÝROBEK ZNAČKY WHIRLPOOL.

Pro získání komplexnější asistence zaregistrujte prosím svůj spotřebič na: www.whirlpool.eu/register

Před použitím spotřebiče si pečlivě přečtěte tento návod k použití a instalaci. Více informací o produktu naleznete na webových stránkách: docs.whirlpool.eu/docs.



Po instalaci nezapomeňte z myčky odstranit všechny přepravní ochranné díly.

OVLÁDACÍ PANEL

1. Tlačítko **ZAPNOUT/VYPNOUT/Resetování** s kontrolkou
2. Tlačítko **PŘEDCHOZÍ program**
3. Tlačítko **DALŠÍ program**
4. Tlačítko **volby Oblíbeného programu** s kontrolkou
5. Kontrolka prázdného zásobníku **Soli**
6. Kontrolka prázdného zásobníku **Leštidla**
7. Kontrolka **ODVÁPNEŇÍ**
8. Kontrolka **Uzavřený Přívod Vody**
9. **Displej**
10. Ukazatel čísla programu a zbývajících času



11. Tlačítko **volby funkce Power Clean®** s kontrolkou
12. Tlačítko **volby Poloviční Náplň** s kontrolkou / **Nastavení** – stisknout 3 sekundy
13. Tlačítko **volby Sušení Extra** s kontrolkou
14. Tlačítko **volby Odložený Start** s kontrolkou
15. Tlačítko **SPUSTIT/Pozastavit** s kontrolkou

PRVNÍ POUŽITÍ

NABÍDKA NASTAVENÍ

1. Zapněte spotřebič stiskem tlačítka **ZAPNOUT/VYPNOUT** (⏻).
2. Podržte tlačítko **Nastavení** (⚙️) (Poloviční Náplň (½)) po dobu 3 sekund, dokud neuslyšíte pípnutí a na displeji se zobrazí „Set“.
3. Po jedné sekundě se zobrazí první dostupné nastavení (písmeno „h“).
4. Stisknutím **PŘEDCHOZÍ/DALŠÍ** procházejte seznam dostupných nastavení (viz tabulku níže), poté stiskněte **SPUSTIT/Pozastavit** (▶️) pro zobrazení a změnu hodnoty aktuálně zvoleného nastavení.
5. Stiskněte **PŘEDCHOZÍ/DALŠÍ** pro změnu hodnoty, poté stiskněte **SPUSTIT/Pozastavit** (▶️) pro uložení nové hodnoty a návrat do hlavní nabídky.
6. Chcete-li změnit další nastavení, opakujte body 4 a 5.
7. Stiskněte **ZAPNOUT/VYPNOUT** (⏻) nebo počkejte 30 sekund pro opuštění nabídky.

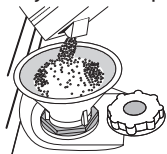
PÍSMENO	NASTAVENÍ	HODNOTY (Výchozí – tučně)
h	Úroveň tvrdosti vody (viz „NASTAVENÍ TVRDOSTI VODY“ a „TABULKA TVRDOSTI VODY“)	1 2 3 4 5
f	Množství leštidla (viz „NASTAVENÍ DÁVKOVÁNÍ LEŠTIDLA“)	0 1 2 3 4 5
o	NaturalDry (viz „MOŽNOSTI A FUNKCE“) „1“ = zapnuto, „0“ = vypnuto	1 0
s	Zvuk „1“ = zapnuto, „0“ = vypnuto	1 0
r	Tovární nastavení Stisknutím SPUSTIT/Pozastavit obnovíte výchozí tovární nastavení všech hodnot nastavení obsažených v nabídce nastavení.	-

NAPLNĚNÍ ZÁSOBNÍKU SOLI

Použití soli vede k předcházení usazování VODNÍHO KAMENE na nádobí a funkčních součástech myčky.

Zásobník soli se nachází ve spodní části myčky (pod spodním košem na levé straně).

- **ZÁSOBNÍK NA SŮL nesmí NIKDY ZŮSTAT PRÁZDNÝ.**
- Nastavení tvrdosti vody je důležité.
- Pokud se rozsvítí **kontrolka DOPLNĚNÍ SOLI** (S) na ovládacím panelu, je nutné doplnit sůl.



1. Vytáhněte spodní koš a odšroubujte víčko zásobníku (proti směru hodinových ručiček).
2. Umístěte trychtýř (viz obrázek) a naplňte zásobník soli až po okraj (přibližně 0,5 kg); odtékání určitého množství vody je přitom normální.
3. **Následující kroky provádějte pouze při prvním použití: Naplňte zásobník soli vodou.**

4. Vyjměte trychtýř a otřete z otvoru přebytečnou sůl. Ujistěte se, že je víčko pevně dotaženo, aby se do zásobníku nedostal při mytí žádný mycí prostředek (to by mohlo vést k neopravitelnému poškození změkčovače vody).

Pokaždé, jakmile dokončíte doplňování zásobníku soli, spusťte program, abyste zabránili korozi.

Nastavení tvrdosti vody

Aby mohl změkčovač vody řádně fungovat, je nezbytné nastavit tvrdost vody podle skutečných hodnot platných pro vodu ve vašem domě. Informaci o tvrdosti vody v řadě získáte od místního dodavatele vody. Tovární nastavení pro průměrnou tvrdost je „3“. Viz **TABULKA TVRDOSTI VODY**.

Pro provádění změn viz pokyny v části „NABÍDKA NASTAVENÍ“.

Používejte výhradně sůl určenou pro myčky nádobí.

Poté, co do myčky nasypete sůl, zhasne kontrolka DOPLNĚNÍ SOLI.

Pokud není zásobník na sůl doplněn, může to vést k poškození změkčovače vody a topného tělesa v důsledku nahromadění vodního kamene. Sůl doporučujeme používat s každým typem prostředku na mytí nádobí.

Tabulka tvrdosti vody

Stupeň	°dH Německé stupně	°fH Francouzské stupně	°Clark Anglické stupně
1 (měkká)	0 - 6	0 - 10	0 - 7
2 (střední)	7 - 11	11 - 20	8 - 14
3 (středně tvrdá)	12 - 16	21 - 29	15 - 20
4 (tvrdá)	17 - 34	30 - 60	21 - 42
5 (velmi tvrdá)	35 - 50	61 - 90	43 - 62

SYSTÉM PRO ZMĚKČOVÁNÍ VODY

Změkčovač vody automaticky snižuje tvrdost vody, a zabraňuje tak nahromadění vodního kamene na ohřívači a přispívá k vyšší účinnosti mytí.

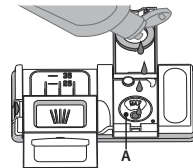
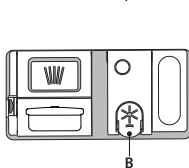
Tento systém k regeneraci využívá sůl, proto je nutné doplňovat zásobník na sůl, když se vyprázdní.

Četnost regenerace závisí na nastavení úrovně tvrdosti vody – s úrovní tvrdosti nastavené na **3** probíhá regenerace jednou za **4-6** Eco cyklů. Proces regenerace probíhá na začátku cyklu pomocí většího množství čisté vody.

- Spotřeba během jedné regenerace: ~ 3 l vody;
- Prodloužení cyklu až o 5 minut;
- Spotřeba méně než 0,005 kWh energie.

DOPLNĚNÍ DÁVKOVAČE LEŠTIDLA

Díky leštidlu nádobí lépe schne. Zásobník leštidla **A** by měl být doplněn pokaždé, když se na ovládacím panelu rozsvítí **kontrolka NEDOSTATEK LEŠTIDLA** (☼).



1. Stlačením a zatažením páčky na víku zásobník **B** otevřete.
2. Opatrně nalijte leštidlo až po maximální hodnotu (110ml) vyznačenou rýskou v hrde zásobníku – zabraňte jeho přelití. Pokud dojde k rozliti, setřete tekutinu okamžitě suchým hadrem.

3. Stiskněte víčko, dokud se s cvaknutím nezavře.

NIKDY nelijte leštidlo přímo do myčky.

Nastavení dávkování leštidla

Nejste-li plně spokojeni s výsledky sušení, můžete nastavit množství použitého leštidla.

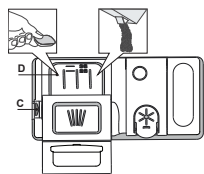
Pro provádění změn viz pokyny v části „NABÍDKA NASTAVENÍ“.

Je-li úroveň dávkování leštidla nastavena na „NULA“, nebude dávkováno žádné leštidlo. Dojde-li leštidlo, **kontrolka „NEDOSTATEK LEŠTIDLA“** se nerozsvítí.

V závislosti na konkrétním modelu myčky lze nastavit maximálně **6** úrovně.

- Pokud jsou na nádobí patrné modravé odlesky, nastavte nízké hodnoty (0-3).
- Jsou-li na nádobí stopy vodního kamene, nastavte vyšší číslo (4-5).

DOPLNĚNÍ DÁVKOVAČE MYČÍHO PROSTŘEDKU



K otevření zásobníku mycího prostředku použijte otevírací prvek C. Dávkujte mycí prostředek výhradně do suchého zásobníku D. Prostředek pro předmytí dávkujte přímo do prostoru myčky.

1. Při dávkování mycího prostředku se řiďte předchozími pokyny, abyste odměřili správné množství. Uvnitř zásobníku **D** se nacházejí značky, které pomohou při dávkování mycího prostředku.

2. Odstraňte zbytky mycího prostředku z okraje zásobníku a pak jej zavřete tak, aby bylo slyšet cvaknutí.
3. Tahem zavřete víčko zásobníku mycího prostředku, dokud zavírací prvek nezapadne na své místo.

Zásobník se automaticky otevře v pravou chvíli v závislosti na použitém programu.

Použití čistícího prostředku, který není určený pro myčky nádobí, může způsobit nesprávný chod nebo poškození spotřebiče.

DENNÍ POUŽÍVÁNÍ

1. ZKONTROLUJTE PŘIPOJENÍ K VODOVODNÍ SÍTI

Zkontrolujte, zda je myčka připojená k vodovodní síti a zda je vodovodní kohoutek otevřený.

2. ZAPNĚTE MYČKU

Otevřete dvířka a stiskněte tlačítko **ZAPNOUT/VYPNOUT**.

3. VLOŽTE NÁDOBÍ (viz PLNĚNÍ KOŠŮ).

4. PLNĚNÍ DÁVKOVAČE MYČÍHO PROSTŘEDKU

5. VYBERTE PROGRAM A PŘÍZPUSOBTE CYKLUS

Nejvhodnější program vyberete v závislosti na druhu nádobí a míře jeho zašpinění (viz **POPIS PROGRAMŮ**) stisknutím tlačítka vybraného **PŘEDCHOZÍ/DALŠÍ**. Vyberte požadované možnosti (viz **MOŽNOSTI A FUNKCE**). Ne všechny možnosti jsou kompatibilní se všemi programy.

6. SPUSTIT

Mycí cyklus spustíte stiskem tlačítka **SPUSTIT/Pozastavit** (LED kontrolka svítí) a následným uzavřením dvířek do 4 sekund. Jakmile program začne, uslyšíte jedno pípnutí. Pokud dvířka nejsou do 4 sekund uzavřena, rozezná se výstražné upozornění. V takovém případě dvířka otevřete, stiskněte tlačítko **SPUSTIT/Pozastavit** a znovu je uzavřete při dodržení čtyřsekundového časového limitu.

7. KONEC MYČÍHO CYKLU

Konec mycího cyklu oznámí zvukové znamení a na displeji se zobrazí **END** (KONEC). Otevřete dvířka a vypněte spotřebič stiskem tlačítka **ZAPNOUT/VYPNOUT**.

Před vyklizením nádobí chvíli počkejte, předejdete tak popálení. Vyklidíte nádobí z košů – začněte spodním.

ÚPRAVA NASTAVENÍ BĚŽÍCÍHO PROGRAMU

Došlo-li k výběru nesprávného programu, je možné jej změnit za předpokladu, že od jeho spuštění uplynula pouze krátká chvíle. **RESET spotřebiče:** Stiskněte tlačítko **ZAPNOUT/VYPNOUT** a podržte ho po dobu delší než 3 sekundy, načež se spotřebič vypne. **Na ovládacím panelu bude svítit „0:01“.** Zavřete dvířka a vyčkejte, dokud neskončí cyklus vypouštění (přibližně 1 minuta). Otevřete dvířka a stisknutím tlačítka **ZAPNOUT/VYPNOUT** spotřebič opět zapnete a zvolte nový mycí program spolu s požadovanými možnostmi. Mycí cyklus spustíte stiskem tlačítka **SPUSTIT/Pozastavit** a uzavřením dvířek do 4 sekund.

PŘIDÁNÍ DALŠÍHO NÁDOBÍ

Bez toho, abyste spotřebič vypínali, otevřete nejprve mírně dvířka, aby voda nevystříkla ven (LED kontrolka **SPUSTIT/Pozastavit** začne blikat) (**Pozor! Horká pára!**) a vložte nádobí do myčky. Stiskněte tlačítko **SPUSTIT/Pozastavit** a do 4 sekund uzavřete dvířka. Cyklus se opětovně spustí od místa, ve kterém byl přerušen.

NÁHODNÁ PŘERUŠENÍ

Dojde-li v průběhu mycího cyklu k otevření dvířek nebo výpadku elektrického napájení, cyklus se zastaví. **POUZE POKUD STISKNETE** tlačítko **SPUSTIT/Pozastavit** a do 4 sekund zavřete dvířka, cyklus se opětovně spustí od místa, ve kterém byl přerušen.

DOPORUČENÍ A TYPY

RADY

Před plněním košů odstraňte z nádobí všechny zbytky jídel a vyprázdněte sklenice. **Nádobí není třeba oplachovat pod tekoucí vodou.**

Uspořádejte nádobí vmyčce tak, aby pevně leželo na místě a nepřepadávalo; nádobí vkládejte dnem vzhůru a vydutými vypuklými povrchy šikmo, aby voda měla přístup ke všem povrchům a zároveň mohla volně odtékat.

Varování: Víka, madla, podnosy a pánve nesmí bránit ostříkovacím ramenům myčky v pohybu.

Drobné předměty vkládejte do koše na příbory. Velmi znečištěné nádobí a hrnce umísťte do spodního koše, protože v této části myčky je proud vody silnější, a lze tak dosáhnout lepší výkonnosti.

Po naplnění myčky ověřte, že se ostříkovací ramena mohou volně otáčet.

NEVHODNÉ NÁDOBÍ

- Dřevěné nádobí a příbory.
- Jemné zdobené sklenice, umělecké, ručně vyrobené a starožitné nádobí. Jejich zdobení není dostatečně odolné.
- Části z plastu neodolávající vysokým teplotám.
- Měděné a cínové nádobí.
- Nádobí zašpiněné popelem, voskem, mazacím tukem či inkoustem.

Barva ozdob na skle a hliníkových/stříbrných kusů nádobí může během mytí vyblednout. Některé druhy skla (např. křišťálové předměty) mohou po několika mycích cyklech zmatnět.

POŠKOZENÍ SKLA A NÁDOBÍ

- Používejte výhradně sklenice a porcelán, u nichž výrobce zaručuje možnost mytí v myčce.
- Používejte jemný mycí přípravek vhodný na porcelánové nádobí
- Vyjměte sklo a příbory z myčky hned po skončení mycího cyklu.

TIPY K ÚSPORĚ ENERGIE

- Pokud se myčka nádobí do domácnosti používá v souladu s pokyny výrobce, **je spotřeba ENERGIE a vody při mytí nádobí v myčce NIŽŠÍ než při mytí v ruce.**
- Pro maximální úspornost myčky nádobí doporučujeme **mycí cyklus spustit až ve chvíli, kdy je myčka zcela zaplněná.** Naplnění myčky nádobí až do plné kapacity uvedené výrobcem přispívá k úspoře energie a vody. Informace o správném vkládání nádobí najdete v kapitole **PLNĚNÍ KOŠŮ**. V případě pouze částečného zaplnění doporučujeme použití příslušného mycího programu, je-li k dispozici (Half load / Zone Wash / Multi Zone) a plnění pouze příslušných košů. Nesprávné nebo nadměrné naplnění myčky může vést ke zvýšení spotřeby (vody, energie a času i zvýšení hlučnosti) a k snížení účinnosti mytí a sušení.
- Ruční předmývání nádobí vede ke zvýšené spotřebě vody a energie a nedoporučujeme jej.

HYGIENA

Aby se předešlo vzniku usazenin a zápachu v myčce, **spusťte nejméně jednou měsíčně program s vysokou teplotou.** Použijte čajovou lžičku mycího prostředku a vsypte ji do prázdné myčky.

ODOLNOST MRAZU

Pokud je spotřebič umístěn v prostředí, kde je vystaven nebezpečí mrazu, **musí z něj být zcela vypuštěny všechny kapaliny.** Zavřete vodovodní kohoutek, sejměte přívodní a odtokové hadice a nechte veškerou vodu odtéct. Aby byl spotřebič chráněn před teplotami až do $-20\text{ }^{\circ}\text{C}$, **ujistěte se, že změkčovač vody v zásobníku soli je plný rozpuštěné regenerační soli.** Pokud byl spotřebič skladován v mrazu, musí **po dobu nejméně 24 hodin** před prvním spuštěním zůstat při okolní teplotě min. $5\text{ }^{\circ}\text{C}$.

TABULKA PROGRAMŮ

Program	Popis programů	Fáze sušení	NaturalDry	Dostupné funkce *)	Délka mycího programu (h:min)**)	Spotřeba vody (litry/cyklus)	Spotřeba energie (kWh/cyklus)
P1 Eco	Úsporný program 50° - je vhodný k mytí běžně zašpiněného nádobí, který je pro tento účel nejvýhodnějším programem s ohledem na spotřebu energie a vody a který se využívá k vyhodnocení shody spotřebiče s předpisy Ecodesign EU.	✓	✓		3:30	9,5	0,76
P2	Auto Intenzivní 65° - Automatický program pro silně zašpiněné nádobí.	✓	✓		2:25-3:10	15,5-24,5	1,30-1,70
P3	Automatický Smíšený 55° - Automatický program pro běžně zašpiněné nádobí se zaslými zbytky jídel.	✓	✓		1:20-3:00	7,5-19,5	0,75-1,20
P4	Automatický Rychlý 50° - Automatický program pro běžně a lehce zašpiněné nádobí. Běžný každodenní program zajišťující optimální účinnost mytí a sušení za kratší dobu.	✓	✓		1:00-1:50	7,5-15,5	0,70-1,10
P5	Rychlý 45° - program doporučujeme používat na menší množství lehce zašpiněného nádobí bez zaslých zbytků jídel. Nezahrnuje fázi sušení.	-	✓		0:30-0:40	10,0-12,0	0,55-0,65
P6	Křišťál 45° - Program pro choulostivé nádobí, které je citlivější na vysoké teploty, jako jsou například sklenice a hrnky.	✓	✓		1:40-1:50	12,5-16,5	0,95-1,20
P7	Tichý 55° - Ideální pro noční provoz spotřebiče. Zajišťuje optimální účinnost mytí a sušení při minimální hladině hluku.	✓	✓		3:50-4:10	10,5-14,5	0,80-1,15
P8	Dezinfekce 65° - Program s doplňkovým antibakteriálním účinkem je určen pro běžně až silně zašpiněné nádobí. Lze použít za účelem údržby myčky.	✓	-		1:55-2:10	12,0-19,0	1,40-1,80
P9	Předmytí - Používejte pro opláchnutí nádobí, které plánujete mýt později. V tomto programu se nepoužívá žádný mycí prostředek.	-	✓		0:12	4,5	0,10
P10	Autočištění 65° - Program slouží k údržbě myčky nádobí. Spouštějte pouze v případě, že je myčka PRÁZDNÁ a s použitím speciálního čisticího prostředku určeného k údržbě myčky.	-	-		1:15	11,0	1,10

Údaje pro „ÚSPORNÝ PROGRAM“ jsou měřeny v laboratorních podmínkách podle pokynů evropské normy EN 60436:2020.

Poznámka pro zkušební laboratoře: Pro informace o zkušebních podmínkách srovnávací zkoušky EN napište na adresu: dw_test_support@whirlpool.com

Žádný z programů nevyžaduje jakékoli předchozí ošetření nádobí.

*) Ne všechny možnosti lze používat zároveň.

**) Hodnoty uvedené pro ostatní programy kromě „ÚSPORNÝ PROGRAM“ jsou pouze přibližné. Skutečná doba se může lišit v závislosti na mnoha vlivech, jako je např. teplota, tlak vstupní vody, teplota okolí, množství mycího prostředku, množství a typ nádobí, vyvážení nádobí, zvolené doplňkové možnosti a kalibrace snímačů. Kalibrace snímačů může program prodloužit až o 20min.

MOŽNOSTI A FUNKCE

MOŽNOSTI lze vybírat / a volby rušit po zvolení programu, a to přímým stiskem odpovídajícího tlačítka (je-li možnost dostupná, rozsvítí se indikace) (viz OVLÁDACÍ PANEL). Není-li možnost kompatibilní se zvoleným programem (viz TABULKA PROGRAMŮ), příslušná kontrolka třikrát rychle zabliká a ozve se zvukové znamení. Možnost nebude zvolena. Použití volby může u daného programu vyvolat změnu doby jeho trvání nebo spotřeby vody či energie.

POWER CLEAN® - Díky přidavným vodním tryskám umožňuje tato funkce intenzivnější a účinnější mytí nádobí ve vymezené části spodního koše. Tato funkce se doporučuje pro mytí rendlíků a hrnců (více informací naleznete v části týkající se plnění Power Clean®).

POLOVIČNÍ NÁPLŇ - Pokud je k mytí pouze malé množství nádobí, lze využít funkci POLOVIČNÍ NÁPLŇ šetřící elektrickou energii, vodu nebo čas, v závislosti na zvoleném programu. Nezapomeňte snížit množství mycího prostředku.

SUŠENÍ EXTRA - Zvýšená teplota v závěrečné fázi oplachování a prodloužení fáze sušení vedou k zlepšení sušení. Volba možnosti „SUŠENÍ EXTRA“ má za následek prodloužení mycího cyklu.

ODLOŽENÝ START - Spuštění programu lze odložit o dobu mezi 30 min až 24 hodinami.

1. Zvolte program a případně další možnosti. Odložení spuštění programu nastavíte stiskem tlačítka ODLOŽENÝ START (opakovaně). Spuštění programu lze odložit o 30 minut až 24 hodin. Pokud je při nastavování dosaženo hodnoty „24 hodin“, stiskněte tlačítko ODLOŽENÝ START ještě jednou, abyse funkce ODLOŽENÝ START deaktivovala.

2. Stiskněte tlačítko „SPUSTIT/Pozastavit“ a do 4 sekund zavřete dvířka: časovač začne odpočítávat.

3. Po vypršení stanoveného času kontrolka zhasne a program se automaticky spustí.

Po spuštění programu již funkci ODLOŽENÝ START zvolit nelze.

OBLÍBENÝ PROGRAM - Oblíbený program lze uložit a bude snadno dostupný. Najdete program pomocí PŘEDCHOZÍ/DALŠÍ a poté stisknete tlačítko OBLÍBENÝ PROGRAM na 3 sekundy.

UZAVŘENÝ VODOVODNÍ KOHOUTEK - výstražná signalizace - Kontrolka bliká v případě, že je uzavřen přívod vody nebo voda nepřitéká.

NaturalDry - Konvenční způsob sušení, kdy se automaticky otevírají dvířka během sušení / po ukončení fáze sušení, aby každý den byla zajištěna mimořádná účinnost sušení. Dvířka se otevřou při teplotě, která je bezpečná pro váš kuchyňský nábytek.

Jako doplňkovou ochranu proti horké páře dodáváme k myčce speciálně navrženou ochrannou fólii.

Pro informace jak postupovat při instalaci ochranné fólie nahlédněte prosím do INSTALAČNÍ PŘÍRUČKY. Tato funkce se aktivuje v rámci výchozího nastavení, nicméně lze ji deaktivovat v „NABÍDKA NASTAVENÍ“.

ODVÁPNĚNÍ - Alarm - Na vnitřních součástech spotřebiče bylo zjištěno nahromadění vodního kamene. Zkontrolujte, zda je **Nastavení tvrdosti vody** na správné hodnotě a zda je v zásobníku soli přítomna **sůl** (další podrobnosti viz PRVNÍ POUŽITÍ), poté **použijte odvápňovací prostředek** (doporučuje se značka WPro) s **programem Autočištění**. Po úspěšném odvápňení se ikona přestane zobrazovat.

Pokud nebudou provedeny výše uvedené akce, výkon produktu se zhorší. Varování «Odvápňení» začne blikat a na displeji se zobrazí alarm «dES». Pokud stále neprovedete žádnou akci, spotřebič umožní spuštění pouze určitého počtu cyklů (indikováno během zobrazení alarmu «dES») a poté bude **ZABLOKOVÁN**, aby se zabránilo poškození součástí, **přičemž je k dispozici pouze program Autočištění**. Provedením úplného odstranění vodního kamene dojde k odblokování produktu. V případě extrémně vysokého množství vodního kamene může být nutné odvápňení provést dvakrát, aby bylo účinné.

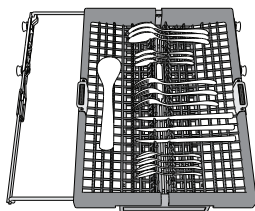
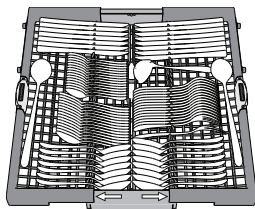
SNÍMÁNÍ - Ve chvíli, kdy senzor snímá úroveň zašpinění, na displeji se zobrazí odpovídající symbol (přibližně 20 min) a aktualizuje se délka cyklu. Účelem snímání je zjistit míru zašpinění nádobí. Funkce je součástí všech cyklů (kromě Úsporný program) a odpovídajícím způsobem upravuje parametry programu.

ZÁSUVKA NA PŘÍBORY

Třetí koš je určen na příbory. Příbory ukládejte tak, jak je znázorněno na obrázku. Oddělené umístění příborů usnadňuje jejich pozdější úklid a zlepšuje sušení.

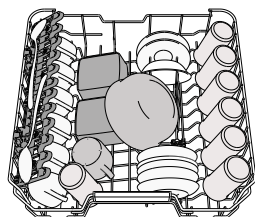
Nože a další ostré nástroje musí být umístěny ostrím dolů.

Koš na příbory je vybaven dvěma posuvnými postranními koši tak, aby bylo možno co nejlépe využít výšku prostoru a zároveň umožnit umístění vysokých předmětů do horního koše.

**HORNÍ KOŠ**

Sem vkládejte jemné a lehké nádobí: sklenice, hrnky, tácky a mělké salátové mísy. Horní koš je vybaven opěrkami, které lze ve svislé poloze použít k umístění podšálků a dezertních talířů, nebo v nižší poloze k umístění misek a nádob na potraviny.

(příklad naplnění horního koše)

**Nastavení výšky horního koše**

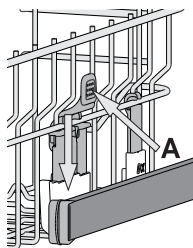
Výšku horního koše lze nastavit: Při umístění do vyšší polohy lze do spodního koše vkládat objemnější kusy, v nižší poloze pak lze nejlépe využít sklopných opěrek – v horní části se tak vytvoří větší prostor a předejde se kolizím s předměty uloženými ve spodním koši.

Horní koš je vybaven **zařízením pro nastavení výšky horního koše** (viz obr.), bez nutnosti používat páky. Stačí koš prostě zvednout za strany, dokud nezapadne do stabilní horní polohy.

Pro návrat koše zpět do dolní polohy stisknete páky **A** po stranách koše a zatlačte koš dolů.

Důrazně doporučujeme neměnit polohu koše, je-li plný.

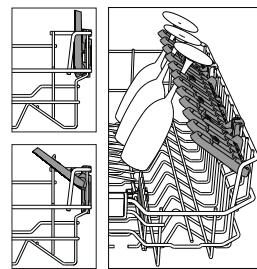
NIKDY nesnižujte ani nezvyšujte polohu koše pouze na jedné straně.

**Sklopné opěrky s nastavitelnou polohou**

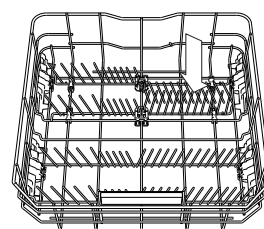
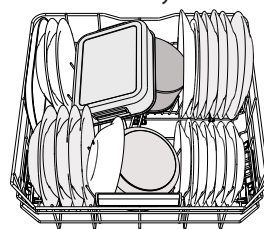
Postranní sklopné opěrky lze sklopit nebo vyklopit za účelem lepšího uspořádání nádobí v koši. Do sklopných opěrek je možno bezpečně umístit sklenice na víno, a to tak, že stopku každé z nich opěře do příslušného vybrání.

Podle modelu:

- vyklopení opěrek: je třeba je posunout nahoru a otočit jimi nebo je uvolnit z přichytek a zatáhnout směrem dolů;
- sklopení opěrek: je třeba jimi otočit a posunout je dolů, nebo je vytáhnout směrem nahoru a připnout do přichytek.

**DOLNÍ KOŠ**

Je určen na hrnce, tácky, talíře, salátové mísy, příbory atd. Velké talíře a poklice by měly být umístěny po stranách, aby nedošlo ke kontaktu s ostříkovacími rameny. Dolní koš je vybaven opěrkami, které lze ve svislé poloze použít k umístění talířů nebo v horizontální (dolní) poloze ke snadnému umístění hrnců a salátových misek.



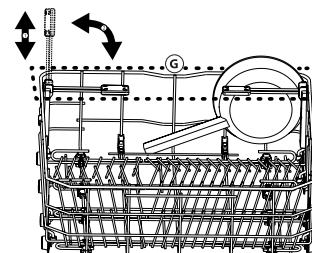
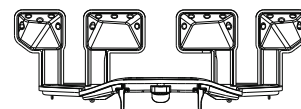
(příklad plnění dolního koše)

POWER CLEAN®

Při funkci „Power Clean“ se používají speciální proudy vody v zadní části myčky k intenzivnějšímu mytí velmi špinavého nádobí. Dolní koš je vybaven zařízením Space Zone, speciální výsuvnou opěrkou v zadní části koše, kterou lze použít k opření pánví či pekáčů ve svislé poloze, kdy zabírají méně místa. Umístěte hrnce a kastroly proti ústí Power Clean® a aktivujte funkci POWER CLEAN na panelu.

Jak používat funkci „Power Clean“:

1. Upravte prostor (G) pro účinné mytí „Power Clean“ sklopením zadních držáků talířů. Tím uvolníte prostor pro hrnce.
2. Hrnce a kastroly položte svisle do prostoru „Power Clean“. Hrnce je třeba naklonit směrem k vodním tryskám.

**ÚDRŽBA A ČIŠTĚNÍ****ČIŠTĚNÍ SESTAVY FILTRU**

Pravidelně čistěte sestavu filtru, aby nebyla ucpaná a voda mohla řádně odtékat. Používání myčky s ucpanými filtry nebo cizími předměty ve filtračním systému či rozstříkovačích může způsobit nesprávný chod spotřebiče, ztrátu účinnosti, hlučný chod nebo vyšší spotřebu.

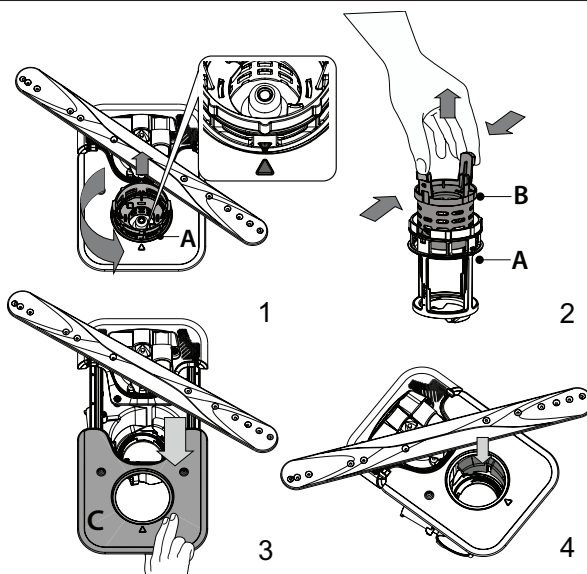
Sestava filtru se skládá ze tří filtrů, které pomáhají zmycí vody odstranit zbytky potravin a umožňují její následnou recirkulaci.

Myčka nesmí být používána bez filtrů nebo s nedotaženými filtry.

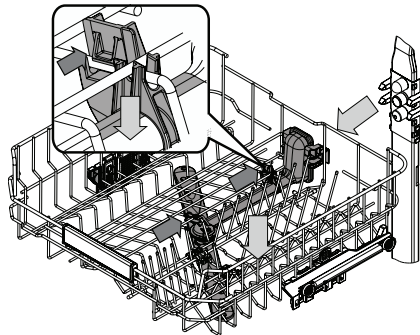
Nejméně jednou měsíčně nebo po každých 30 cyklech zkontrolujte sestavu filtru a v případě potřeby jej důkladně vymyjte pod tekoucí vodou za pomoci nekovového kartáče podle pokynů níže:

1. Otočte válcovým filtrem **A** proti směru chodu hodinových ručiček a vyjměte jej (obr. 1). **Při opětovné instalaci filtru je důležité, aby se oba trojúhelníky zobrazené na zoomu setkaly.**
2. Mírným tlakem na postranní klapky vyjměte miskový filtr **B** (obr. 2).
3. Vysuňte nerezový deskový filtr **C** (obr. 3).
4. Pokud naleznete cizí předměty (např. úlomky skla, porcelánu, kostí, semínka z ovoce), **opatrně je odstraňte.**
5. Prohlédněte prostor pod filtrem a odstraňte případné zbytky jídla. **NIKDY NEDOSTRAŇUJTE** ochranu čerpadla mycího cyklu (zobrazeno šipkou) (obr. 4).

Po vyčištění filtry vraťte na jejich místo a zajistěte je; je to zásadní pro zachování funkčnosti myčky.

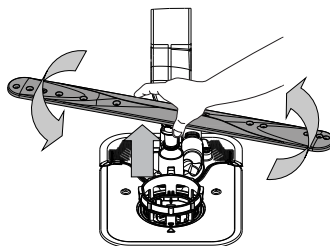


ČIŠTĚNÍ OSTRÍKOVACÍCH RAMEN

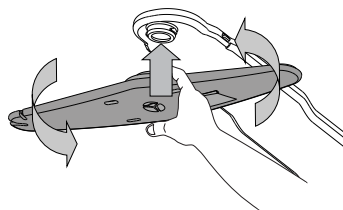


Někdy se stane, že se do ostríkovacích ramen dostane zbytek jídla a ucpe některou z jeho trysek. Doporučujeme proto občasnou kontrolu ramen a jejich vyčištění malým nekovovým kartáčkem.

Chcete-li odebrat horní ostríkování, musíte jej odebrat včetně rozdělovacího potrubí.



Spodní ostríkovací rameno lze vyjmout zatažením směrem nahoru a otočením proti směru hodinových ručiček. Zpětná montáž ostríkovacího ramene se provádí zatažením dolů a otočením ve směru hodinových ručiček.

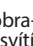


Horní ostríkovací rameno lze vyjmout zatlačením směrem nahoru a otočením proti směru hodinových ručiček. Zpětná montáž ostríkovacího ramene se provádí zatažením nahoru a otočením ve směru hodinových ručiček.

ODSTRAŇOVÁNÍ ZÁVAD

Pokud vaše myčka nádobí nefunguje správně, pokuste se problém vyřešit za pomoci informací uvedených v tomto seznamu. V případě jiných problémů nebo dotazů se obraťte na autorizovaný poprodejní servis, jehož kontaktní údaje najdete v záručním listě. Náhradní díly budou k dispozici po dobu až 7 nebo až 10 let podle konkrétních požadavků nařízení.

PROBLÉMY	MOŽNÉ PŘÍČINY	ŘEŠENÍ
Svítí indikátor soli	Zásobník soli je téměř prázdný.	Doplňte do nádržky sůl (další informace – viz <i>NAPLNĚNÍ ZÁSOBNÍKU SOLI</i>). V případě potřeby zkontrolujte nastavení tvrdosti vody – viz <i>TABULKA TVRDOSTI VODY</i> .
Indikátor soli bliká	Zásobník soli je prázdný.	Co nejdříve doplňte do zásobníku sůl. Používání spotřebiče bez soli může způsobit poškození vnitřních komponent.
Indikátor leštidla svítí nebo bliká	Zásobník leštidla je prázdný. (Poté, co leštidlo doplníte, může kontrolka zůstat ještě krátkou dobu svítit.)	Doplňte do zásobníku leštidlo (více informací viz <i>DOPLNĚNÍ DÁVKOVAČE LEŠTIDLA</i>).
Indikátor odvápnění svítí nebo bliká; zobrazuje se alarm „dES“.	Na vnitřních součástech spotřebiče se hromadí vodní kámen.	Spotřebič ihned odvápněte pomocí programu Autočistění a běžně dostupného odvápnovacího prostředku (viz <i>MOŽNOSTI A FUNKCE</i>). Doplňte do nádržky sůl. Zkontrolujte nastavení tvrdosti vody. Pokud odvápnění spotřebiče neprovedete, přestane fungovat.
Myčka se nespouští nebo nereaguje na povely.	Spotřebič není správně připojen do zásuvky.	Zasuňte zástrčku do zásuvky.
	Výpadek proudu.	Z bezpečnostních důvodů se myčka při obnovení napájení automaticky znovu nespustí. Otevřete dvířka myčky, stiskněte tlačítko SPUSTIT/Pozastavit a poté dvířka do 4 sekund znovu zavřete.
	Dveře myčky nejsou dobře zavřené. Količek funkce NaturalDry není zatažen.	Důkladně zavřete dveře, dokud neuslyšíte „cvaknutí“.
	Otevřením dvířek na více než 4 sekundy dojde k přerušení cyklu.	Stiskněte tlačítko SPUSTIT/Pozastavit a do 4 sekund uzavřete dvířka.
Myčka nevypouští vodu. Na displeji se zobrazuje: F7 E3 nebo F9 E1	Ovládací panel nereaguje, popřípadě se zobrazuje kód F6 E1 .	Vypněte spotřebič stisknutím tlačítka ZAPNOUT/VYPNOUT a po uplynutí cca jedné minuty jej znovu zapněte a restartujte program. Pokud problém přetrvává, spotřebič na 1 minutu odpojte od napájení a poté jej znovu zapojte.
	Filtr je ucpaný zbytky jídla nebo vodním kamenem.	Filtr vyčistěte a proveďte odvápnění spotřebiče (viz <i>ČIŠTĚNÍ SESTAVY FILTRU a ODVÁPNĚNÍ</i>).
	Vypouštěcí hadice je zkroucená.	Zkontrolujte vypouštěcí hadici (viz <i>POKYNY K INSTALACI</i>).
Myčka je příliš hlučná.	Odpad dřezu je ucpaný.	Vyčistěte odtok dřezu.
	Nádobí na sebe naráží.	Nádobí správně rozmístěte (viz <i>PLNĚNÍ KOŠŮ</i>).
	Je přítomno nadměrné množství pěny.	Mycí prostředek nebyl správně nadávkován, popřípadě není vhodný pro použití v myčkách nádobí (viz <i>DOPLNĚNÍ DÁVKOVAČE LEŠTIDLA</i>). Restartujte aktuální cyklus vypnutím a opětovným zapnutím myčky. Poté zvolte nový program, stiskněte tlačítko SPUSTIT/Pozastavit a během 4 sekund zavřete dvířka. Nepřidávejte prosím žádný mycí prostředek.
	Nádobí nebylo v myčce správně uspořádáno.	Nádobí správně rozmístěte (viz <i>PLNĚNÍ KOŠŮ</i>).
Nádobí není umyté.	Filtr je ucpaný zbytky jídla nebo vodním kamenem.	Vyčistěte sestavu filtrů (viz <i>ÚDRŽBA A ČIŠTĚNÍ</i>).
	Nádobí nebylo v myčce správně uspořádáno.	Nádobí správně rozmístěte (viz <i>PLNĚNÍ KOŠŮ</i>).
	Ostríkovací ramena se nemohou volně otáčet – brání jim nádobí.	Nádobí správně rozmístěte (viz <i>PLNĚNÍ KOŠŮ</i>). Zkontrolujte, zda je horní koš ve správné poloze, a v případě potřeby jej upravte (zvedněte).
	Mycí cyklus je příliš jemný.	Vyberte vhodný mycí cyklus (viz <i>TABULKA PROGRAMŮ</i>).
	Je přítomno nadměrné množství pěny.	Mycí prostředek nebyl správně nadávkován, nebo není vhodný pro použití v myčkách nádobí (viz <i>PLNĚNÍ ZÁSOBNÍKU MYCÍHO PROSTŘEDKU</i>).
	Víčko zásobníku leštidla není dobře uzavřeno.	Přesvědčte se, že je víčko na zásobníku leštidla dobře zavřeno.
Filtr je ucpaný zbytky jídla nebo vodním kamenem.	Vyčistěte filtr a spotřebič odvápněte (viz <i>ČIŠTĚNÍ SESTAVY FILTRU</i>).	
Zásobník soli je prázdný.	Doplňte zásobník na sůl (viz <i>NAPLNĚNÍ ZÁSOBNÍKU SOLI</i>).	

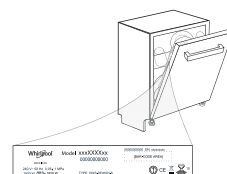
PROBLÉMY	MOŽNÉ PŘÍČINY	ŘEŠENÍ
Myčka nenapouští vodu. Na displeji se zobrazuje: H2O a  svítí; zní zvukový alarm.	V potrubí není voda nebo je uzavřený přívodní ventil.	Zkontrolujte, zda je v potrubí voda a zda je otevřený přívodní ventil.
	Přívodní hadice vody je zkroucená.	Zkontrolujte přívodní hadici (viz <i>INSTALACE</i>). Otevřete dvířka myčky, stiskněte tlačítko SPUSTIT/Pozastavit a poté dvířka do 4 sekund znovu zavřete.
	Sítka v přívodní hadici je zanesené; je třeba je vyčistit.	Překontrolujte a vyčistěte sítka nacházející se v přívodní hadici vody. Otevřete dvířka myčky, stiskněte tlačítko SPUSTIT/Pozastavit a poté dvířka do 4 sekund znovu zavřete.
Myčka předčasně ukončuje cyklus. Na displeji se zobrazuje: F8 E3	Filtr je ucpaný zbytky jídla nebo vodním kamenem.	Filtr vyčistěte a proveďte odvápnění spotřebiče (viz <i>ČIŠTĚNÍ SESTAVY FILTRU a ODVÁPŇENÍ</i>).
	Vypouštěcí hadice je umístěna příliš nízkou, nebo dochází k vypouštění do domácího kanalizačního systému.	Zkontrolujte, zda je konec vypouštěcí hadice umístěn ve správné výšce (viz <i>INSTALACE</i>). Zkontrolujte, zda nedochází k vypouštění do domovní kanalizace, a v případě potřeby nainstalujte přerušovač sifonu / ventil pro přívod vzduchu.
	Je přítomno nadměrné množství pěny.	Mycí prostředek nebyl správně nadávkován, nebo není vhodný pro použití v myčkách nádobí (viz <i>DOPLNĚNÍ DÁVKOVAČE MYCÍHO PROSTŘEDKU</i>).
	Vzduch v přívodní hadici.	Zkontrolujte, zda systém přívodu vody nevykazuje netěsnosti, nebo zda se nevyskytují jiné závady, které způsobují pronikání vzduchu dovnitř.
Nádobí není dobře usušené.	Není přítomen lešticí prostředek, popřípadě je dávkováno příliš malé množství.	Ujistěte se, že zásobník na leštidlo je doplněný (viz <i>DOPLNĚNÍ DÁVKOVAČE LEŠTIDLA</i>). Při použití pouze multifunkčních tablet nedocílíte tak dobré účinnosti sušení jako při použití tekutého leštidla.
	Nádobí bylo vyloženo po automatickém otevření dvířek, ale před skutečným ukončením cyklu.	Před zahájením vykládání nádobí se ujistěte, že cyklus skončil (viz <i>DENNÍ POUŽÍVÁNÍ</i>). Pro ještě lepší výsledky sušení doporučujeme po skončení cyklu ponechat nádobí v myčce s otevřenými dvířky dalších 15 minut.
	Nádobí je uloženo příliš na plocho.	Pokud máte v prohlubních šálků, hrnků nebo misek nahromaděnou vodu, zkuste vložit nádobí do myčky (to platí zvláště pro horní koš) tak, aby bylo více nakloněné, aby větší množství vody mohlo odkapat ještě předtím, než začne sušení.
	Zvolený mycí cyklus nezahrnuje fázi sušení.	Podívejte se do <i>TABULKY PROGRAMŮ</i> , abyste zjistili, zda je součástí zvoleného programu i fáze sušení. Cyklus bez fáze sušení nemusí zajistit požadovanou účinnost sušení, proto doporučujeme změnit výběr mycího cyklu a zvolit takový, který fázi sušení má.
	Nádobí je z plastu s nepřílnavou úpravou.	Ulpění pár kapek vody na tomto typu materiálu je normální.
Na nádobí a sklenicích jsou modré pruhy, nebo mají namodralý nádech.	Dávkování leštidla je příliš vysoké.	Nastavte dávkování na nižší množství.
Nádobí i sklenice mají na sobě vrstvu vodního kamene nebo bílý film.	Zásobník soli je prázdný.	Co nejdříve doplňte do zásobníku sůl. Používání spotřebiče bez soli může způsobit poškození vnitřních komponent.
	Nastavení tvrdosti vody je příliš nízké.	Zvyšte hodnoty nastavení (viz <i>TABULKA TVRDOSTI VODY</i>).
	Uzávěr zásobníku na sůl není správně zavřený.	Překontrolujte a zavřete uzávěr nádržky na sůl.
	Zásobník na leštidlo je prázdný, popřípadě dávkování leštidla není dostatečné.	Doplňte do zásobníku leštidlo a překontrolujte nastavení dávkování (viz <i>DOPLNĚNÍ DÁVKOVAČE LEŠTIDLA</i>).
Myčka zobrazuje kód F8 E5	Ventil je zablokovaný nebo vadný.	Je-li to možné, zavřete vodovodní kohoutek. Nevypínejte napájení. Zavolejte do servisu.



Firemní zásady, standardní dokumentaci, objednávky náhradních dílů a další informace o výrobku získáte:

- Pomocí naskenování QR kódu a návštěvou našeho webu: docs.whirlpool.eu/docs
- Návštěvou našeho webu: parts-selfservice.europeanappliances.com
- Případně **kontaktujte náš poprodejní servis** (telefonní číslo najdete v záručním listě). Při kontaktování našeho poprodejního servisu prosím uveďte kódy na identifikačním štítku produktu

Informace o modelu získáte přes QR kód na energetickém štítku. Na štítku rovněž najdete identifikační číslo modelu, které můžete použít k vyhledávání v rejstříku na portálu <https://eprel.ec.europa.eu>.





DANKEN, DASS SIE SICH FÜR EIN WHIRLPOOL PRODUKT ENTSCHEIDEN HABEN.

Für eine umfassendere Unterstützung melden Sie Ihr Gerät bitte an unter: www.whirlpool.eu/register

Diese Sicherheits- und Installationsanweisungen vor dem Gebrauch aufmerksam durchlesen. Weitere Informationen über Ihr Produkt sind auf folgender Website verfügbar: docs.whirlpool.eu/docs heruntergeladen werden.



Denken Sie nach der Installation daran, sämtliche Teile zum Transportschutz aus dem Geschirrspüler zu entfernen.

BEDIENTAFEL

1. EIN-AUS/Reset Taste mit Anzeigelicht
2. ZURÜCK Programm-Taste
3. WEITER Programm-Taste
4. FAVORITEN-Programm-Taste mit Anzeigelicht
5. Anzeigelicht für Salzbehälter leer
6. Anzeigelicht für Klarspüler leer
7. ENTKALKEN - Anzeigelicht
8. Wasserhahn zu Anzeigelicht
9. Display
10. Programmnummer und verbleibende Zeitanzeige
11. PowerClean®-Optionstaste mit Anzeigelicht



12. Halbe Füllmenge-Optionstaste mit Anzeigelicht/ Einstellungen - 3 s drücken
13. Extra Trocken-Optionstaste mit Anzeigelicht
14. Startvorbereitung-Optionstaste mit Anzeigelicht
15. START/Pause - Taste mit Anzeigelicht

ERSTER GEBRAUCH

EINSTELLUNGSMENÜ

1. Gerät mit der EIN-AUS -Taste einschalten.
2. Halten Sie die **Einstellungen** (Halbe Füllmenge - Taste) 3 Sekunden lang, bis Sie einen Piepton hören und das Display „SET“ anzeigt.
3. Nach einer Sekunde wird die erste verfügbare Einstellung (Buchstabe „h“) angezeigt.
4. Drücken Sie **ZURÜCK/WEITER zum Durchblättern der Liste der verfügbaren Einstellungen (siehe Tabelle unten). Drücken Sie dann **START/Pause** , um den Wert der aktuell ausgewählten Einstellung zu ändern.**
5. Drücken Sie **ZURÜCK/WEITER , um den Wert zu ändern, dann drücken Sie **START/Pause** , um den neuen Wert zu speichern und zum Hauptmenü zurückzukehren.**
6. Zum Ändern einer weiteren Einstellung wiederholen Sie die Punkte 4 und 5.
7. Drücken Sie **EIN-AUS** oder warten Sie 30 Sekunden, um das Menü zu verlassen.

Die werkseitige Einstellung ist „3“ für eine durchschnittliche Wasserhärte.

Stufe	°dH		
	Deut. Härtegr.	Französischer Härtegr.	°Clark Engl. Härtegr.
1 (weich)	0 - 6	0 - 10	0 - 7
2 (mittel)	7 - 11	11 - 20	8 - 14
3 (durchschnittlich)	12 - 16	21 - 29	15 - 20
4 (hart)	17 - 34	30 - 60	21 - 42
5 (sehr hart)	35 - 50	61 - 90	43 - 62

BUCHSTABE	EINSTELLUNG	WERTE (Standard - fettgedruckt)
	Wasserhärtegrad (siehe "WASSERHÄRTE EINSTELLEN" und "WASSERHÄRTE-TABELLE")	1 2 3 4 5
	Dosierstufe des Klarspülers (siehe "KLARSPÜLERDOSIERUNG")	0 1 2 3 4 5
	NaturalDry (siehe "OPTIONEN UND FUNKTIONEN") "1" = Ein, "0" = Aus	1 0
	Ton "1" = Ein, "0" = Aus	1 0
	Werkseinstellungen Drücken Sie START/Pause zum Rückstellen aller Werte der Einstellungen im Einstellungsmenü auf die Standardwerkeinstellung.	-

Zum Ändern befolgen Sie die Anweisungen im Abschnitt „EINSTELLUNGSMENÜ“.

Verwenden Sie bitte nur **Spezialsalz für Geschirrspüler**.

Nach dem Einfüllen des Salzes erlischt die SALZNACHFÜLLANZEIGE.

Wenn der Salzbehälter nicht gefüllt ist, könnten Kesselsteinablagerungen den Wasserenthärter und das Heizelement beschädigen. Die Verwendung von Salz wird bei jeder Art von Geschirrspülmittel empfohlen.

WASSERENTHÄRTUNG

Der Wasserenthärter reduziert automatisch die Wasserhärte, verhindert Kesselsteinablagerungen am Heizelement und trägt somit zu einer höheren Reinigungsleistung bei.

Dieses System regeneriert sich mit Salz, daher ist es erforderlich, Salz in den Behälter zu füllen, wenn dieser leer ist.

Die Regenerierungshäufigkeit hängt von eingestellten Stufe für die Wasserhärte ab - die Regenerierung findet einmal alle 4-6 Eco-Zyklen bei Wasserhärte auf 3 statt. Der Regenerationsprozess findet zu Beginn des Programms mit zusätzlichem Frischwasser statt.

- Eine einzelne Regeneration verbraucht: ~3 l Wasser;
- Das Programm dauert bis zu 5 Minuten länger;
- Energieverbrauch unter 0,005 kWh.

SALZBEHÄLTER BEFÜLLEN

Mit der Verwendung von Salz werden KALKABLAGERUNGEN auf dem Geschirr und den funktionalen Komponenten des Geschirrspülers verhindert. Der Salzbehälter befindet sich im unteren Teil des Geschirrspülers (unter dem Unterkorb auf der linken Seite).

DER SALZBEHÄLTER DARF NIE LEER SEIN!

- Es ist wichtig, die Wasserhärte einzustellen.
- Salz muss eingefüllt werden, wenn auf der Bedienblende die Anzeigeluchte der **SALZNACHFÜLLANZEIGE** aufleuchtet.



1. Ziehen Sie den Unterkorb heraus und schrauben Sie den Salzbehälterdeckel gegen den Uhrzeigersinn ab.
2. Setzen Sie den Trichter auf (siehe Abbildung) und füllen Sie den Behälter bis zum Rand mit Salz (ca. 0,5 kg), es ist normal, wenn etwas Wasser ausläuft.
3. **Nur beim ersten Mal: Befüllen Sie den Salzbehälter mit Wasser.**

4. Den Trichter abnehmen und die Salzreste vom Öffnungsrand entfernen. Sicherstellen, dass der Deckel fest angeschraubt ist, so dass kein Spülmittel während dem Waschprogramm in den Behälter gelangt (dies könnte den Wasserenthärter irreparabel beschädigen).

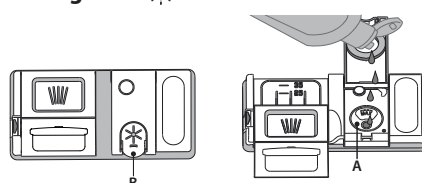
Lassen Sie jedes Mal, sobald Sie das Nachfüllen des Salzbehälters beendet haben, ein Programm laufen, um Korrosion zu vermeiden.

Wasserhärte einstellen

Damit der Wasserenthärter perfekt arbeiten kann, muss die Wasserhärte je nach der aktuellen Wasserhärte in Ihrem Haus eingestellt werden. Diese Information erhalten sie bei Ihrem örtlichen Wasserversorger.

KLARSPÜLERSPENDER AUFFÜLLEN

Klarspüler macht das TROCKNEN von Geschirr einfacher. Der Klarspülerspender **A** muss aufgefüllt werden, wenn das **KLARSPÜLER AUFFÜLLEN Anzeigelicht** auf der Bedienblende leuchtet.



1. Den Behälter **B** durch Drücken und Anheben der Zunge am Deckel öffnen.
2. Den Klarspüler vorsichtig bis zur maximalen Füllstandsmarkierung (110 ml) an der Füllöffnung einfüllen und ein Überlaufen vermeiden.

Andernfalls sofort mit einem trockenen Tuch abwischen.

3. Den Deckel schließen bis er einrastet.

Füllen Sie den Klarspüler NIEMALS direkt ins Innere des Geschirrspülers.

Klarspülerdosierung

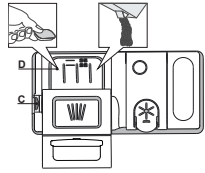
Sollte das Trockenergebnis unzufrieden stellend sein, kann die Klarspülerdosierung neu eingestellt werden.

Zum Ändern befolgen Sie die Anweisungen im Abschnitt „EINSTELLUNGSMENÜ“. Die Klarspülerstufe kann auf NULL eingestellt werden. In diesem Fall wird kein Klarspüler ausgegeben. **Die Kontrollleuchte zur ANZEIGE DES FEHLENDEN KLARSPÜLERS** leuchtet nicht mehr auf.

Je nach Gerätemodell können bis max. 6 Stufen eingestellt werden.

- Wenn Sie bläuliche Streifen auf dem Geschirr sehen, stellen Sie eine niedrigere Zahl ein (0-3).
- Wenn Wassertropfen oder Kalkablagerungen auf dem Geschirr sind, eine höhere Zahl einstellen (4-5).

EINFÜLLEN DES SPÜLMITTELS



Zum Öffnen des Spülmittelbehälters den Öffnungsmechanismus C drücken. Füllen Sie das Spülmittel ausschließlich in das trockene Fach D ein. Die für den Vorspülgang benötigte Spülmittelmenge wird direkt in den Geschirrspüler gegeben.

1. Hinsichtlich der Dosierung verweisen wir auf die zuvor erwähnte Information, in der die richtige Menge angegeben ist. Im Fach D sind Anzeigen die bei der Spülmitteldosierung helfen.

- Entfernen Sie eventuelle Spülmittelrückstände von den Kanten der Kammern und schließen Sie den Deckel so, dass er einrastet.
- Schieben Sie den Deckel der Spülmittelkammer zum Schließen nach oben, bis er einrastet.

Die Spülmittelkammer öffnet sich automatisch zum richtigen Zeitpunkt des jeweils gewählten Programms.

Die Verwendung von Reinigungsmitteln, die nicht für Geschirrspüler bestimmt sind, kann zu Fehlfunktionen oder Schäden am Gerät führen.

TÄGLICHER GEBRAUCH

1. ANSCHLUSS AN DIE WASSERLEITUNG PRÜFEN

Sicherstellen, dass der Geschirrspüler an die Wasserleitung angeschlossen und der Wasserhahn auf ist.

2. SCHALTEN SIE DEN GESCHIRRSÜPÜLER EIN

Tür öffnen und EIN-AUS-Taste drücken.

3. KÖRBE BELADEN (siehe KÖRBE BELADEN)

4. EINFÜLLEN DES SPÜLMITTELS

5. PROGRAMM WÄHLEN UND DAS PROGRAMM ANPASSEN

Das am besten geeignete Programm je nach Besteckart und Verschmutzungsgrad (siehe PROGRAMMBESCHREIBUNG) durch Drücken der gewählten ZURÜCK/WEITER-Taste auswählen. Die gewünschten Optionen auswählen (siehe OPTIONEN UND FUNKTIONEN). Nicht alle Optionen sind mit allen Programmen kompatibel.

6. START

Starten Sie das Spülprogramm mit der Taste START/Pause (LED leuchtet) und schließen Sie die Tür innerhalb von 4 Sek. Bei Programmstart ertönt ein einzelner Piepton. Wenn die Tür nicht innerhalb von 4 Sek. geschlossen wurde, ertönt der akustische Alarm. Öffnen Sie in diesem Fall die Tür, drücken Sie die Taste START/Pause und schließen Sie die Tür erneut innerhalb von 4 Sekunden.

7. ENDE DES SPÜLPROGRAMMS

Das Ende des Spülprogramms wird durch Pieptöne angegeben und auf dem Display erscheint END (ENDE). Die Tür öffnen und das Gerät mit der EIN-AUS-Taste ausschalten.

Vor Entnahme des Bestecks einige Minuten warten - um Verbrennungen zu vermeiden. Die Körbe entladen, mit dem Unteren beginnen.

ÄNDERN EINES LAUFENDEN PROGRAMMS

Wenn ein falsches Programm ausgewählt wurde, kann es geändert werden, wenn es gerade erst gestartet wurde. **RÜCKSETZEN** der Maschine: Die EIN-AUS-Taste drücken und länger als 3 s gedrückt halten, um die Maschine auszuschalten. Das Bedienfeld zeigt "0:01". Schließen Sie die Tür und warten Sie, bis der Waschgang «Schleudern und abpumpen» beendet ist (rund 1 Minute). Öffnen Sie die Tür und schalten Sie die Maschine mit der EIN-AUS-Taste wieder ein. Wählen Sie das neue Spülprogramm und die gewünschten Optionen aus. Das Spülprogramm durch Drücken der Taste START/Pause starten und die Tür innerhalb von 4 s schließen.

HINZUFÜGEN VON WEITEREM GESCHIRR

Ohne die Maschine auszuschalten, die Tür erst leicht öffnen, um zu verhindern, dass Wasser herausspritzt (START/Pause LED beginnt zu blinken) (Vorsicht! Heißer Dampf!) und das Geschirr in den Geschirrspüler geben. Die Taste START/Pause drücken und innerhalb von 4 Sek.. die Tür schließen; das Programm läuft automatisch weiter, wo es unterbrochen wurde.

VERSEHENTLICHE UNTERBRECHUNGEN

Wird während des Spülgangs die Gerätetür geöffnet, oder sollte ein Stromausfall stattfinden, wird der Spülgang unterbrochen. **NUR, WENN SIE die START/Pause-Taste DRÜCKEN** und die Tür innerhalb von 4 s schließen, läuft das Programm automatisch weiter, wo es unterbrochen wurde.

HINWEISE UND TIPPS

EMPFEHLUNGEN

Bevor Sie das Geschirr in den Geschirrspüler einräumen, befreien Sie es von Speiserückständen und entleeren Sie Gläser und Behälter von Flüssigkeitsresten. **Es ist nicht notwendig, das Geschirr unter fließendem Wasser vorzuspülen.**

Stellen Sie das Geschirr so ein, dass es fest steht und nicht umfallen kann. Behälter müssen mit der Öffnung nach unten eingestellt werden und hohle oder gewölbte Teile müssen schräg stehen, damit das Wasser alle Oberflächen erreicht und dann abfließen kann.

Achtung: Achten Sie darauf, dass Deckel, Griffe, Töpfe und Tablett die Drehung der Sprüharme nicht behindern. Stellen Sie kleine Gegenstände in den Besteckkorb. Stark verschmutztes Geschirr und Töpfe sollten in dem Unterkorb untergebracht werden, da in diesem Bereich die Wasserstrahlen stärker sind und eine höhere Spülleistung garantieren. Stellen Sie nach Einräumen des Geschirrs sicher, dass sich die Sprüharme frei bewegen können.

UNGEEIGNETES GESCHIRR

- Besteck und Geschirr aus Holz.
- Empfindliche Dekorgläser, handgemachte Teller und antikes Geschirr. Die Dekore sind nicht spülmaschinenfest.
- Nicht temperaturbeständige Kunststoffteile.
- Geschirr aus Kupfer und Zinn.

Mit Asche, Wachs, Schmieröl oder Tinte verschmutztes Geschirr. Glasdekore, Aluminium- und Silberteile können während des Spülgangs die Farbe verändern und ausbleichen. Auch einige Glasarten (z.B. Kristallgegenstände) können nach mehreren Spülgängen matt werden.

SCHÄDEN AN GLAS UND GESCHIRR

- Spülen Sie nur Gläser und Geschirr in Ihrem Geschirrspüler, die vom Hersteller als spülmaschinenfest ausgezeichnet sind.
- Verwenden Sie ein Feinspülmittel für Geschirr.
- Nehmen Sie Gläser und Besteck so bald wie möglich nach Ablauf des Programms aus der Spülmaschine.

ENERGIESPARTIPPS

- Sofern man die Herstelleranweisungen beim Einsatz beachtet, **verbraucht das Waschen von Geschirr im Geschirrspüler in der Regel WENIGER ENERGIE und Wasser als Handspülen.**
- Um die Effizienz des Geschirrspülers zu maximieren, empfiehlt es sich, **das Spülprogramm bei voll beladenem Gerät zu starten.** Wenn der Geschirrspüler bis zur vom Hersteller angegebenen Kapazität beladen wird, hilft dies, Energie und Wasser zu sparen. Angaben über die korrekte Beladung von Geschirr finden Sie im Kapitel BELADEN DER KÖRBE. Bei Teilbeladung empfiehlt es sich, die speziellen Spülprogramme (Halbe Beladung / Zone Wash / Multizone) zu verwenden und nur die entsprechenden Körbe zu beladen. Bei einer fehlerhaften Beladung oder Überladung des Geschirrspülers könnten mehr Ressourcen verbraucht (z. B. Wasser, Energie und Zeit), der Geräuschpegel erhöht und die Reinigungs- und Trocknungsleistung verringert werden.
- Das manuelle Vorspülen von Geschirr führt zu erhöhtem Wasser- und Energieverbrauch und wird nicht empfohlen.

HYGIENE

Um Gerüche und Ablagerung, die sich in dem Geschirrspüler ansetzen können zu vermeiden, **bitte mindestens einmal monatlich ein Hochtemperaturprogramm laufen lassen.** Einen Teelöffel Spülmittel verwenden und ohne Geschirr laufen lassen, um Ihr Gerät zu reinigen.

FROSTSICHERHEIT

Steht das Gerät in einem frostgefährdeten Raum, so **muss es vollständig von Wasser entleert werden.** Führen Sie das Selbstreinigungsprogramm aus, um den Wasserbehälter abzulassen. Wasserhahn schließen, Zu- und Ablaufschlauch lösen und das gesamte Wasser abpumpen. **Darauf achten, dass der Wasserenthärter mit gelöstem Regeneriersalz im Regeneriersalzbehälter gefüllt ist;** dies stellt einen wirksamen Geräteschutz gegen Temperaturen bis zu -20°C dar. Wenn das Gerät unter frostigen Bedingungen gelagert wurde, muss das Gerät vor dem ersten Spülgang **mindestens 24 Stundenlang** bei einer Umgebungstemperatur von min. 5 °C stehen bleiben.

PROGRAMMTABELLE

Programm	Programmbeschreibung	Trockenphase	NaturalDry	Verfügbare Zusatzfunktionen *)	Programmdauer (Std:Min)**)	Wasserverbrauch (Liter/ Zyklus)	Energieverbrauch (kWh/ Zyklus)
P1 Eco	Eco 50° - Das ECO-Programm eignet sich, um normal verschmutztes Geschirr zu reinigen. In Bezug auf den kombinierten Energie- und Wasserverbrauch ist es das effizienteste Programm, das auch zur Prüfung der Einhaltung der Ökodesign-Richtlinie verwendet wird.	✓	✓		3:30	9,5	0,76
P2	Auto Intensiv 65° - Automatisches Programm für stark verschmutztes Geschirr und Töpfe.	✓	✓		2:25-3:10	15,5-24,5	1,30-1,70
P3	Auto Gemischt 55° - Automatisches Programm für normal verschmutztes Geschirr mit angetrockneten Lebensmittelrückständen.	✓	✓		1:20-3:00	7,5-19,5	0,75-1,20
P4	Auto Schnell 50° - Automatisches Programm für normal und leicht verschmutztes Geschirr. Täglicher Zyklus, der optimale Reinigungs- und Trockenleistung in kürzerer Zeit garantiert.	✓	✓		1:00-1:50	7,5-15,5	0,70-1,10
P5	Rapid 45° - Das Programm wird für eine begrenzte Menge an leicht verschmutztem Geschirr ohne angetrocknete Lebensmittelrückstände empfohlen. Es umfasst keinen Trockengang.	-	✓		0:30-0:40	10,0-12,0	0,55-0,65
P6	Kristall 45° - Programm für empfindliches Geschirr, das empfindlicher auf hohe Temperaturen ist, zum Beispiel Gläser und Becher.	✓	✓		1:40-1:50	12,5-16,5	0,95-1,20
P7	Nachtspülen 55° - Geeignet für den Nachtbetrieb des Gerätes. Garantiert optimale Reinigungs- und Trockenleistung bei niedrigstem Lärmpegel.	✓	✓		3:50-4:10	10,5-14,5	0,80-1,15
P8	Desinfizieren 65° - Normal oder stark verschmutztes Geschirr mit zusätzlichem antibakteriellen Spülgang. Kann für die Wartung des Geschirrspülers verwendet werden.	✓	-		1:55-2:10	12,0-19,0	1,40-1,80
P9	Vorwäsche - Verwendet, um Geschirr einzuweichen, das später gespült werden soll. Für dieses Programm wird kein Spülmittel verwendet.	-	✓		0:12	4,5	0,10
P10	Selbstreinigend 65° - Programm, das für die Pflege des Geschirrspülers zu verwenden ist. Es ist nur bei LEEREM Geschirrspüler und mit speziellen Reinigungsmitteln für die Pflege des Geschirrspülers auszuführen.	-	-		1:15	11,0	1,10

Die ECO-Programmdaten sind Labormessdaten, die gemäß der europäischen Vorschrift EN 60436:2020 erfasst wurden.
 Hinweis für die Prüflabors: Informationen hinsichtlich der Bedingungen des EN-Vergleichstests sind unter nachfolgender Adresse anzufordern: dw_test_support@whirlpool.com
 Eine Vorbehandlung des Geschirrs ist vor keinem Programm erforderlich.
 *) Nicht alle Optionen können gleichzeitig verwendet werden.
 **) Werte, die für andere Programme als das ECO-Programm angegeben werden, sind nur Richtwerte. Die aktuelle Zeit kann auf Grundlage von mehreren Faktoren, wie Temperatur und Druck des eintretenden Wassers, Raumtemperatur, Spülmittelmenge, Menge und Art der Beladung, Lastausgleich, zusätzlich gewählte Optionen und Sensoreichung variieren. Die Sensoreichung kann die Programmdauer bis zu 20 Min. erhöhen.

OPTIONEN UND FUNKTIONEN

OPTIONEN können nach Auswahl des Programms direkt durch Drücken der jeweiligen Taste gewählt bzw. abgewählt werden (falls vorhanden - die Anzeige leuchtet auf) (siehe BEDIENFELD). Wenn eine Option nicht mit dem ausgewählten Programm kompatibel ist (siehe PROGRAMMTABELLE), blinken die entsprechenden LED 3 Mal schnell und ein Piepton ertönt. Die Option wird nicht aktiviert. Eine Option kann Zeit, Wasser oder Stromverbrauch für das Programm ändern.

POWERCLEAN® - Mit den zusätzlichen Powerdüsen bietet diese Option im dafür vorgesehenen Bereich im Unterkorb einen intensiveren und stärkeren Spülvorgang. Diese Zusatzfunktion ist ideal zum Reinigen von Töpfen und Brättern (Beachten Sie bitte den PowerClean®Beladungsbereich).

HALBE FÜLLMENGE - Haben Sie nur wenig Geschirr zu spülen, wählen Sie HALBE FÜLLMENGE. Sie sparen Wasser, Strom oder Zeit, je nach gewähltem Programm.

Denken Sie daran, die Spülmittelmenge zu verringern.

EXTRA TROCKEN - Die höhere Temperatur während des letzten Spülgangs sowie die verlängerte Trockenphase gestatten eine verbesserte Trocknung. Die Option EXTRA TROCKEN verlängert die Programmdauer.

STARTVORWAHL - Der Programmstart kann um eine Zeit von **0:30** bis **24** Stunden verzögert werden.

- Das Programm und die gewünschten Optionen auswählen. Die STARTVORWAHL-Taste (mehrfach) drücken, um den Programmstart zu verzögern. Einstellbar von **0:30** bis **24** Stunden. Sobald die 24-Stunden-Einstellung erreicht ist, drücken Sie noch einmal STARTVORWAHL, um die STARTVORWAHL-Funktion zu deaktivieren.
- Drücken Sie die Taste START/Pause-Taste und schließen Sie die Tür innerhalb von 4 Sekunden: die Zeitschaltuhr beginnt mit der Rückzählung.
- Nach Ablauf dieser Zeit, schaltet sich das Anzeigelicht aus und das Programm beginnt automatisch.

Bei bereits in Gang gesetztem Programm ist eine STARTVORWAHL nicht mehr möglich.

NaturalDry - das ist ein Heißlufttrocknungssystem, das die Tür während/ nach der Trockenphase automatisch öffnet, um täglich hervorragende Trockenleistung sicherzustellen. Die Tür öffnet sich bei einer für Ihre Küchenmöbel sicheren Temperatur, daher wird die Tür nicht geöffnet.

Als zusätzlicher Dampfschutz wird dem Geschirrspüler eine speziell entwickelte Schutzfolie beigefügt.

Für die Montage der Schutzfolie siehe INSTALLATIONSANLEITUNG. Diese Funktion ist standardmäßig aktiviert, aber sie kann in «EINSTELLUNGSMENÜ» deaktiviert werden.

ENTKALKEN - Alarm - Es wurden Kalkablagerungen auf Innenbauteilen des Geräts festgestellt. Prüfen Sie, ob die **Wasserhärteeinstellung** auf dem korrekten Wert und Salz im Salzbehälter vorhanden ist (siehe ERSTER GEBRAUCH). **Verwenden Sie dann ein Entkalkungsmittel** (die Marke WPro wird empfohlen) mit dem **Selbstreinigungsprogramm**. Nach einer erfolgreichen Entkalkung wird das Symbol nicht mehr angezeigt.

Falls oben genannte Maßnahmen nicht ausgeführt werden, verschlechtert sich die Produktleistung. Die «Entkalken» Warnung beginnt zu blinken und der «dES» Alarm erscheint auf dem Display. Wird weiter nicht unternommen, gestattet das Gerät nur den Start einer bestimmten Anzahl von Zyklen (während der «dES» Alarmanzeige angeben) und wird dann **GESPERRT**, um eine Beschädigung von Bauteilen zu vermeiden. **Nur das Selbstreinigungsprogramm ist verfügbar**. Die Ausführung einer vollständigen Entkalkung hebt die Sperre des Produktes auf. Im Fall extrem großer Kalkmengen kann es erforderlich sein, das Entkalken zweimal auszuführen, damit es wirkt.

ERKENNUNG - Wenn der Sensor den Grad der Verschmutzung erfasst, wird im Display eine Animation angezeigt (etwa 20 Minuten) und die Programmdauer wird aktualisiert. Sensing (Erkennung) erkennt die Stärke der Verschmutzung des Geschirrs und passt das Programm entsprechend an. Es ist für alle Zyklen (ausgenommen Eco (Öko) verfügbar.

WASSERHAHN ZU - Alarm - Blinkt, wenn kein Wasser einströmt oder wenn der Wasserhahn zu ist.

FAVORITEN-PROGRAMM - Das Favoriten-Programm kann gespeichert werden und ist einfach zugänglich. Finden Sie das Programm mit **ZURÜCK/WEITER** und drücken Sie dann die Favoriten-Programm-Taste 3 Sekunden lang.

KÖRBE BELADEN

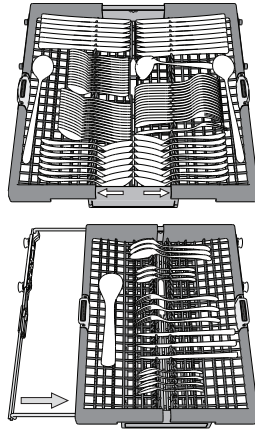
FASSUNGSVERMÖGEN: 15 Maßgedecke

BESTECKSCHUBLADE

Die dritte Schublade wurde für das Hineinlegen von Besteck entwickelt. Platzieren Sie das Besteck wie abgebildet. Eine getrennte Anordnung des Bestecks macht das Sortieren nach dem Spülen einfacher und verbessert die Spül- und Trockenleistung.

Messer und andere Küchenutensilien mit scharfen Spitzen sind mit nach unten gerichteten Schneiden einzuordnen.

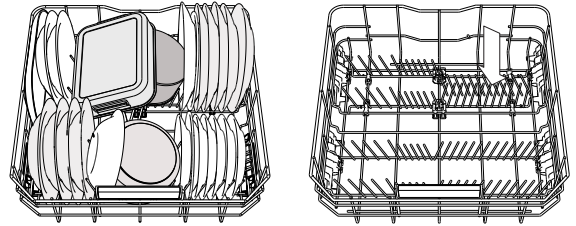
Der Besteckkorb hat zwei seitlichen Schubladen, um die Höhe des darunter liegenden Bereichs bestmöglich zu nutzen und das Laden von hohen Teilen in den Unterkorb zu ermöglichen.



UNTERKORB

Für Töpfe, Deckel, Teller, Salatschüsseln, Besteck usw. Große Teller und Deckel sollten idealerweise an die Seiten gelegt werden, um nicht mit dem Sprüharm in Kontakt zu kommen.

Der Unterkorb verfügt über klappbare Ablagen, die in vertikaler Stellung für Teller oder in horizontaler (niedriger) Position für Pfannen und Salatschüsseln verwendet werden können.



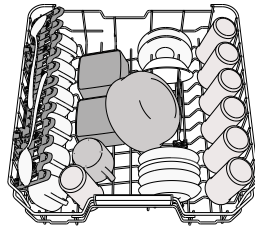
(Sortierbeispiel für den Unterkorb)

OBERKORB

Hier sortieren Sie empfindliches und leichtes Geschirr ein: Gläser, Tassen, kleine Teller, flache Schüsseln.

Der Oberkorb verfügt über klappbare Halterungen, die in vertikaler Stellung für Untertassen oder Dessertteller oder in einer tieferen Stellung für Schüsseln und sonstige Behältnisse verwendet werden können.

(Sortierbeispiel für den Oberkorb)



Höheneinstellung des Oberkorbes

Der Oberkorb kann in der Höhe verstellt werden: stellen Sie ihn in die oberste Position, wenn Sie großes Geschirr in den Unterkorb einräumen wollen. Wenn Sie eher die klappbaren Bereiche nutzen wollen, dann stellen Sie ihn in die untere Position. Somit vermeiden Sie Zusammenstoßen mit dem Geschirr im Unterkorb.

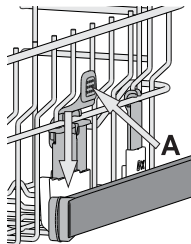
Der Oberkorb ist mit einem **Oberkorb Höhenversteller** (siehe Abbildung) ausgestattet.

Ohne Drücken der Hebel kann er einfach durch Heben der Korbseiten angehoben werden, sobald der Korb stabil in seiner unteren Stellung ist.

Um den Korb zurück in die untere Stellung zu bringen, drücken Sie die Hebel **A** an den Seiten des Korbs und schieben Sie ihn nach unten.

Es empfiehlt sich, die Höhe des Oberkorbes bei leerem Korb zu regulieren.

Heben oder senken Sie den Korb NIEMALS nur an einer Seite.

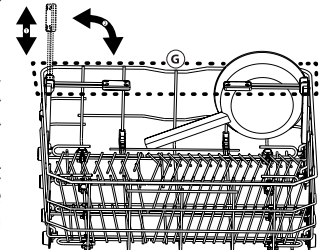
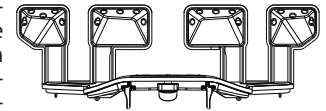


POWERCLEAN®

Bei PowerClean® sorgen spezielle Wasserdüsen hinten im Gerät für eine verstärkte Reinigung von stark verschmutztem Geschirr. Der Unterkorb hat eine Raumzone, eine spezielle Halterung zum Herausziehen an der Korbhinterseite, welche benutzt werden kann um Pfannen oder Backbleche in senkrechter Position zu halten, und so weniger Raum zu beanspruchen. Wenn die Töpfe/Bräter in Richtung PowerClean® eingelegt werden, bitte **POWERCLEAN®** auf der Bedienblende aktivieren.

Verwendung von Power Clean®:

1. Passen Sie Power Clean® - Bereich **G** an, indem Sie die hinteren Tellerhalterungen herunterklappen, um Töpfe einzuladen.
2. Laden Sie Töpfe und Bräter senkrecht im Power Clean®-Bereich ein. Die Töpfe müssen mit der offenen Seite zu den Power-Sprühdüsen geneigt sein.



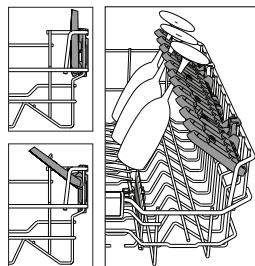
Klappbare Klappen mit verstellbarer position

Die seitlich, klappbaren Ablagen können ein- oder aufgeklappt werden, um die Anordnung des Geschirrs im Korb zu optimieren. Stielgläser können an den Ablagen stabilisiert werden, indem sie mit dem Stiel in die vorgesehene Aussparung gestellt werden.

Je nach Modell:

- Zum Ausklappen der Ablagen, müssen diese nach oben geschoben und gedreht oder aus den Schnappern gelöst und nach unten gezogen werden.

- Zum Einklappen der Ablagen, müssen diese gedreht und nach unten geschoben oder nach oben gezogen und an den Schnappern befestigt werden.



PFLEGE UND WARTUNG

REINIGUNG DER FILTEREINHEIT

Die Filtereinheit regelmäßig reinigen, damit die Filter nicht verstopfen und das Abwasser korrekt abfließen kann.

Wenn die Filter beim Einsatz des Geschirrspülers verstopft sind oder falls Fremdkörper im Filtersystem oder in den Spülarmen gelangen, könnten Störungen im Gerät auftreten, was zu Leistungseinbußen, lautem Betrieb oder höherer Ressourcennutzung führt.

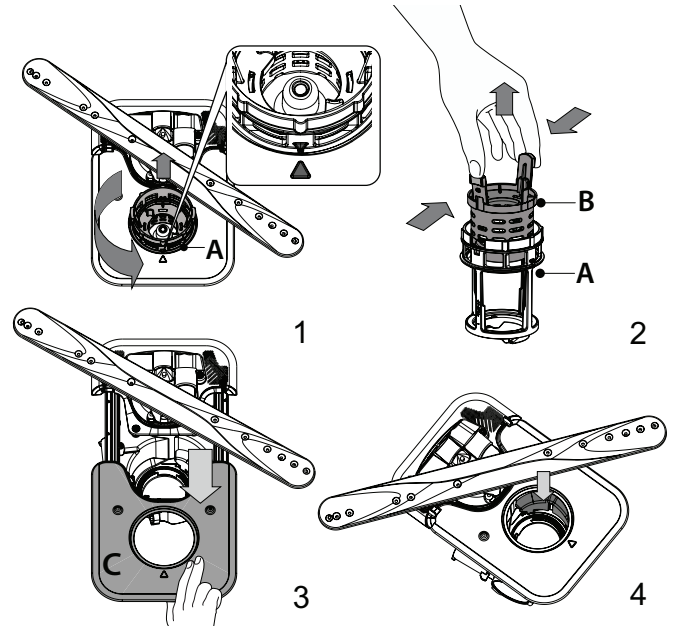
Die Filtereinheit setzt sich aus drei Filtern zusammen, die Spülwasser reinigen, von Speiseresten befreien und wieder in Umlauf bringen.

Der Geschirrspüler darf nie ohne Filtersiebe oder mit ausgehängten Filtern in Betrieb genommen werden.

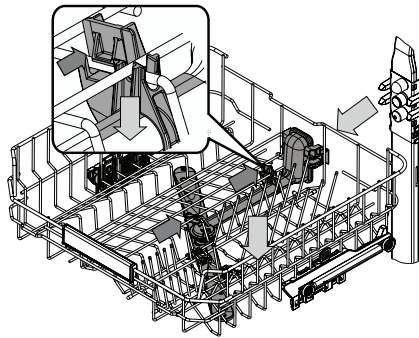
Kontrollieren Sie einmal monatlich oder nach 30 Zyklen die Filtersiebgruppe. Bei Bedarf ist diese sorgfältig unter laufendem Wasser auszuspülen. Nehmen Sie hierzu ein kleines Bürstchen (das nicht aus Metall sein darf) zu Hilfe. Gehen Sie wie folgt vor:

1. Drehen Sie das zylinderförmige Filtersieb **A** gegen den Uhrzeigersinn heraus (Abb. 1). **Beim Wiedereinbau des Filters müssen die beiden größt abgebildeten Dreiecke zueinander ausgerichtet sein.**
2. Ziehen Sie den Siebbecher **B** durch leichten Druck auf die seitlichen Flügel heraus (Abb. 2).
3. Nehmen Sie den Stahl-Siebteller **C** ab (Abb. 3).
4. Falls Sie Fremdkörper (wie Glasscherben, Porzellan, Knochen, Fruchtsamen usw.) finden, **entfernen Sie diese bitte sorgfältig.**
5. Kontrollieren Sie den Hohlraum und befreien Sie diesen von eventuellen Speiseresten. Das Spülpumpenschutzteil (siehe Pfeil) **NICHT ABGEMOMMEN WERDEN** (Abb 4).

Setzen Sie die Filtereinheit nach der Reinigung der Filtersiebe wieder korrekt in ihren Sitz ein, dies ist äußerst wichtig, um eine ordnungsgemäße Betriebsweise des Geschirrspülers zu gewährleisten.

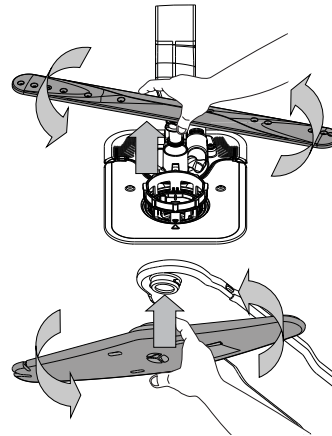


REINIGUNG DER SPRÜHARME



Es kann vorkommen, dass Speisereste an den Sprüharmen hängen bleiben und die Wasserdüsen verstopfen. Prüfen Sie die Sprüharme daher regelmäßig und reinigen Sie sie bei Bedarf mit einer Kunststoffbürste.

Zum Entfernen des oberen Sprüharms müssen sie diesen zusammen mit dem Anschlussstück entfernen.




Um den unteren Sprüharm abzunehmen, diesen nach oben ziehen und gegen den Uhrzeigersinn drehen. Der Sprüharm wird wieder eingebaut, indem er nach unten gezogen und im Uhrzeigersinn gedreht wird.

Um den oberen Sprüharm abzunehmen, diesen nach oben drücken und gegen den Uhrzeigersinn drehen. Der Sprüharm wird wieder eingebaut, indem er nach oben gezogen und im Uhrzeigersinn gedreht wird.

LÖSEN VON PROBLEMEN

Falls Ihr Geschirrspüler nicht richtig funktioniert, versuchen Sie, das Problem anhand der folgenden Liste zu beheben. Für andere Fehler oder Probleme wenden Sie sich bitte an den autorisierten Kundendienst, dessen Kontaktdaten im Garantieheft aufgeführt sind. Ersatzteile werden für einen Zeitraum von entweder bis zu 7 oder bis zu 10 Jahren verfügbar sein, je nach den spezifischen Anforderungen der Verordnung.

STÖRUNGEN	MÖGLICHE URSACHEN	LÖSUNG
Regeneriersalzanzeige leuchtet	Der Salzbehälter ist fast leer.	Befüllen Sie den Behälter mit Salz (weitere Informationen – siehe <i>SALZBEHÄLTER BEFÜLLEN</i>). Prüfen Sie die bei Bedarf die Wasserhärteeinstellung (siehe <i>WASSERHÄRTE-TABELLE</i>).
Regeneriersalzanzeige blinkt	Salzbehälter ist leer.	Den Behälter sobald wie möglich mit Salz nachfüllen. Der Gebrauch des Geräts ohne Salz kann Schäden an seinen Innenbauteilen verursachen.
Klarspüleranzeige leuchtet auf oder blinkt	Klarspülbehälter ist leer. (Nach dem Auffüllen kann es kurze Zeit dauern, bis die Klarspüleranzeige erlischt).	Befüllen Sie den Behälter mit Klarspüler (weitere Informationen – siehe <i>KLARSPÜLERSPENDER AUF-FÜLLEN</i>).
Entkalken-Anzeige leuchtet auf oder blinkt; der „DES“ Alarm wird angezeigt.	Kalk lagert sich an Innenbauteilen des Geräts ab.	Entkalken Sie das Gerät sofort mit dem Selbstreinigend-Programm und einem handelsüblichen Entkalkungsmittel (siehe <i>OPTIONEN UND FUNKTIONEN</i>). Befüllen Sie den Behälter mit Salz. Prüfen Sie die Wasserhärteeinstellung. Wird das Gerät nicht entkalkt, funktioniert es nicht mehr.
Die Spülmaschine startet nicht oder reagiert nicht auf die Bedienungseingaben.	Das Gerät wurde nicht richtig eingesteckt.	Schließen Sie den Netzstecker an.
	Stromausfall.	Aus Sicherheitsgründen wird der Geschirrspüler nicht automatisch neu gestartet, wenn die Stromversorgung wiederhergestellt wird. Öffnen Sie die Tür des Geschirrspülers, drücken Sie die Taste START/Pause und schließen Sie die Tür erneut innerhalb von 4 Sekunden.
	Die Gerätetür schließt nicht. NaturalDry Pin ist nicht eingezogen.	Drücken Sie die Tür energisch, bis ein „Klicklaut“ zu hören ist.
	Ein Spülgang wird unterbrochen, wenn die Tür mehr als 4 Sekunden lang geöffnet wird.	START/Pause drücken und die Tür innerhalb von 4 Sekunden schließen.
	Das Bedienfeld reagiert nicht oder F6 E1 wird angezeigt.	Schalten Sie das Gerät durch das Drücken der EIN-AUS/Reset-Taste aus und nach etwa einer Minute wieder ein und starten Sie das Programm neu. Wenn das Problem weiterhin besteht, ziehen Sie den Stecker des Geräts für 1 Minute ab und stecken Sie ihn dann wieder ein.

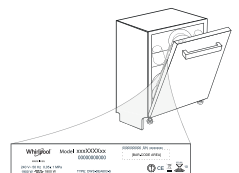
STÖRUNGEN	MÖGLICHE URSACHEN	LÖSUNG
Der Geschirrspüler pumpt das Wasser nicht ab. Das Display zeigt: F7 E3 oder F9 E1	Im Filtersieb haben sich Speisereste oder Kalk angesammelt.	Reinigen Sie den Filter und entkalken Sie das Gerät (<i>siehe REINIGUNG DER FILTEREINHEIT und ENTKALKEN</i>).
	Ablaufschlauch ist geknickt. Der Ablauf des Spülbeckens ist verstopft.	Den Ablaufschlauch prüfen (<i>siehe INSTALLATIONSANWEISUNG</i>). Den Ablauf des Spülbeckens reinigen.
Der Geschirrspüler ist zu laut.	Das Geschirr schlägt aneinander.	Positionieren Sie das Geschirr korrekt (<i>siehe KÖRBE BELADEN</i>).
	Es ist zu viel Schaum vorhanden.	Das Spülmittel wurde nicht richtig dosiert oder ist für Geschirrspüler ungeeignet (<i>siehe EINFÜLLEN DES SPÜLMITTELS</i>). Starten Sie das laufende Programm durch Ausschalten des Geschirrspülers neu. Schalten Sie das Gerät wieder ein, wählen Sie ein neues Programm, drücken Sie START/Pause und schließen Sie die Tür innerhalb von 4 Sekunden. Kein Spülmittel zufügen.
	Das Geschirr wurde nicht korrekt eingeräumt.	Positionieren Sie das Geschirr korrekt (<i>siehe KÖRBE BELADEN</i>).
	Im Filtersieb haben sich Speisereste oder Kalk angesammelt.	Die Filtereinheit reinigen (<i>siehe PFLEGE UND WARTUNG</i>).
Das Geschirr ist nicht sauber geworden.	Das Geschirr wurde nicht korrekt eingeräumt.	Positionieren Sie das Geschirr korrekt (<i>siehe KÖRBE BELADEN</i>).
	Sprüharme können nicht frei drehen, werden durch das Geschirr blockiert.	Positionieren Sie das Geschirr korrekt (<i>siehe KÖRBE BELADEN</i>). Prüfen, dass der obere Korb in der richtigen Position ist und bei Bedarf einstellen (anheben).
	Das Spülprogramm ist zu schwach.	Ein geeignetes Spülprogramm wählen (<i>siehe PROGRAMMTABELLE</i>).
	Es ist zu viel Schaum vorhanden.	Das Spülmittel wurde nicht richtig dosiert oder ist für Geschirrspüler ungeeignet (<i>siehe EINFÜLLEN DES SPÜLMITTELS</i>).
	Der Stöpsel des Klarspülerbehälters wurde nicht korrekt geschlossen.	Sicherstellen, dass der Stöpsel des Klarspülerbehälters geschlossen ist.
	Im Filtersieb haben sich Speisereste oder Kalk angesammelt. Der Salzbehälter ist leer.	Den Filter reinigen und das Gerät entkalken (<i>siehe REINIGUNG DER FILTEREINHEIT</i>). Füllen Sie den Salzbehälter (<i>siehe SALZBEHÄLTER BEFÜLLEN</i>).
Der Geschirrspüler lädt kein Wasser. Am Display erscheint: H20 und  leuchtet; ein akustischer Alarm ertönt.	Kein Wasser im Wassernetz oder zugezogener Wasserhahn.	Sicherstellen, dass Wasser im Wassernetz ist und der Wasserhahn offen ist.
	Der Wasserzulaufschlauch ist geknickt.	Den Zulaufschlauch prüfen (<i>siehe INSTALLATION</i>). Öffnen Sie die Tür des Geschirrspülers, drücken Sie die Taste START/Pause und schließen Sie die Tür erneut innerhalb von 4 Sekunden.
	Das Sieb im Wasserzulaufschlauch ist verstopft. Es muss gereinigt werden.	Das Sieb im Wasserzulaufschlauch kontrollieren und reinigen. Öffnen Sie die Tür des Geschirrspülers, drücken Sie die Taste START/Pause und schließen Sie die Tür erneut innerhalb von 4 Sekunden.
Der Geschirrspüler beendet das Programm vorzeitig. Am Display erscheint: F8 E3	Im Filtersieb haben sich Speisereste oder Kalk angesammelt.	Reinigen Sie den Filter und entkalken Sie das Gerät (<i>siehe REINIGUNG DER FILTEREINHEIT und ENTKALKEN</i>).
	Ablaufschlauch zu niedrig positioniert oder Siphonwirkung in die Hauskanalisation.	Prüfen, ob das Ende des Ablaufschlauchs auf der richtigen Höhe positioniert ist (<i>siehe INSTALLATION</i>). Prüfen, ob eine Siphonwirkung in die Hauskanalisation vorliegt, installieren Sie bei Bedarf einen Vakuumbrecher/ein Belüftungsventil.
	Es ist zu viel Schaum vorhanden.	Das Spülmittel wurde nicht richtig dosiert oder ist für Geschirrspüler ungeeignet (<i>siehe EINFÜLLEN DES SPÜLMITTELS</i>).
	Luft im Wasserzulauf.	Wasserzulauf auf Lecks oder sonstige Störungen mit Lufteintritt prüfen.
Das Geschirr ist nicht gut getrocknet.	Kein Klarspüler vorhanden oder die Dosierung ist zu niedrig.	Stellen Sie sicher, dass der Klarspülerspender gefüllt ist (<i>siehe KLARSPÜLERSPENDER AUFFÜLLEN</i>). Die Verwendung von multifunktionalen Tabs allein liefert nicht so gute Trocknungsergebnisse wie die Verwendung von flüssigem Klarspüler.
	Das Geschirr wurde ausgeräumt, nachdem die Tür automatisch geöffnet wurde, jedoch vor dem tatsächlichen Programmende.	Stellen Sie sicher, dass das Programm beendet wurde, bevor Sie das Geschirr ausräumen (<i>siehe TÄGLICHER GEBRAUCH</i>). Für noch bessere Trocknungsergebnisse wird empfohlen, das Geschirr bei geöffneter Tür weitere 15 Minuten nach Programmende im Geschirrspüler zu lassen.
	Das Geschirr sitzt zu flach.	Wenn Sie Wasserpfützen in Hohlräumen von Tassen, Bechern oder Schüsseln beobachten, versuchen Sie das Geschirr (insbesondere im oberen Korb) mit mehr Neigung zu laden. Damit kann mehr Wasser abtropfen, bevor das Trocknen beginnt.
	Das gewählte Programm hat keinen Trockengang.	Bitte prüfen Sie in der <i>PROGRAMMTABELLE</i> , ob das ausgewählte Programm einen Trockengang vorsieht. Programme ohne Trockengang können nicht das gewünschte Trocknungsergebnis bringen. Es wird daher empfohlen, die Programmauswahl auf ein Programm zu ändern, das über einen Trockengang verfügt.
Das Geschirr besteht aus Antihafmaterial oder aus Kunststoff.	Einige auf dieser Art von Material verbleibende Wassertropfen sind normal.	
Geschirr und Gläser haben blaue Schlieren oder bläuliche Schattierungen.	Klarspüler wurde zu hoch dosiert.	Dosierung niedriger einstellen.
Geschirr und Gläser sind mit Kalkablagerungen oder einem weißen Belag bedeckt.	Salzbehälter ist leer.	Den Behälter sobald wie möglich mit Salz nachfüllen. Der Gebrauch des Geräts ohne Salz kann Schäden an seinen Innenbauteilen verursachen.
	Die Wasserhärteeinstellung ist zu niedrig.	Die Einstellung erhöhen (<i>siehe WASSERHÄRTETABELLE</i>).
	Der Deckel des Salzbehälters ist nicht richtig geschlossen.	Salzbehälterdeckel prüfen und verschließen.
	Der Klarspülerbehälter ist leer oder die Klarspülerdosierung ist unzureichend.	Befüllen Sie den Behälter mit Klarspüler und prüfen Sie die Dosierungseinstellung (weitere Informationen - <i>siehe KLARSPÜLERSPENDER AUFFÜLLEN</i>).
Geschirrspüler zeigt F8 E5 an	Ventil ist blockiert oder fehlerhaft.	Den Wasserhahn schließen, sofern möglich. Schalten Sie die Stromversorgung nicht aus. Kundendienst kontaktieren.



Firmenrichtlinien, Standarddokumentation, Ersatzteilbestellung und zusätzliche Produktinformationen finden Sie unter:

- Verwenden Sie den QR-Code und besuchen Sie unsere Internetseite docs.whirlpool.eu/docs
- Besuchen Sie unsere Internetseite: parts-selfservice.europeanappliances.com
- Alternativ können Sie **unseren Kundendienst kontaktieren** (Siehe Telefonnummer in dem Garantieheft).

Wird unser Kundendienst kontaktiert, bitte die Codes auf dem Typenschild des Produkts angeben. Die Modellinformation ist über den QR-Code auf der Energieverbrauchskennzeichnung aufrufbar. Die Kennzeichnung enthält auch die Modellnummer, die den Zugang zum Verzeichnisportal unter <https://eprel.ec.europa.eu> ermöglicht.





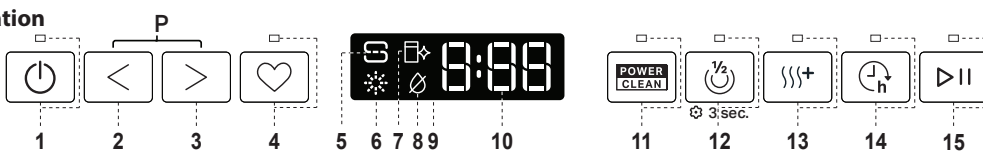
MERCI D'AVOIR CHOISI UN PRODUIT WHIRLPOOL.
Afin de recevoir une assistance plus complète, merci d'enregistrer votre appareil sur: www.whirlpool.eu/register

Avant d'utiliser l'appareil, il convient de lire attentivement les consignes de sécurité et d'installation. Pour en savoir plus concernant votre produit, consulter le site Internet : docs.whirlpool.eu/docs

⚠ Après l'installation, rappelez-vous d'enlever toutes les pièces de protection pour le transport du lave-vaisselle.

PANNEAU DE COMMANDE

1. Touche et voyant **MARCHE-ARRÊT/Réinitialisation**
2. Touche de **programme PRÉCÉDENT**
3. Touche de **programme SUIVANT**
4. Touche et voyant **programme FAVORI**
5. Témoin de réservoir de sel vide
6. Témoin de réservoir de liquide de rinçage vide
7. Témoin **DÉTARTRAGE**
8. Voyant **Robinet d'eau fermé**
9. **Écran**
10. Indicateur de **numéro de programme et de temps restant**
11. Touche et voyant de l'**option Power Clean®**



12. Touche et voyant **d'option Demi-charge/Réglages** - pression de 3 secondes
13. Touche et voyant **d'option Extra Sec**
14. Touche et voyant **d'option Départ Différé**
15. Touche et voyant **DÉPART/Pause**

PREMIÈRE UTILISATION

MENU DE RÉGLAGE

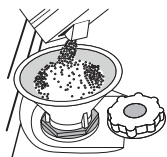
1. Allumer l'appareil en appuyant sur la touche **MARCHE-ARRÊT**
2. Maintenir la touche **Réglages** (Demi-charge) pendant 3 secondes jusqu'à ce que vous entendiez un bip et que l'écran affiche « **Set** ».
3. Après une seconde, le premier réglage disponible (lettre « **h** ») s'affichera.
4. Appuyer sur **PRÉCÉDENT/SUIVANT** pour faire défiler la liste des réglages disponibles (voir tableau ci-dessous), puis appuyer sur **DÉPART/Pause** pour visualiser la valeur du réglage actuellement sélectionné.
5. Appuyer sur **PRÉCÉDENT/SUIVANT** pour modifier la valeur, puis appuyer sur **DÉPART/Pause** pour enregistrer la nouvelle valeur et revenir au menu principal.
6. Pour changer un autre réglage, répéter les points 4 à 5.
7. Appuyer sur **MARCHE-ARRÊT** , ou attendre 30 secondes pour quitter le menu.

LETTRE	RÉGLAGE	VALEURS (Par défaut - en gras)
	Niveau de dureté de l'eau (voir « RÉGLER LA DURETÉ DE L'EAU » et « TABLEAU DE DURETÉ DE L'EAU »)	1 2 3 4 5
	Niveau de liquide de rinçage (voir « AJUSTER LE DOSAGE DU LIQUIDE DE RINÇAGE »)	0 1 2 3 4 5
	NaturalDry (voir « OPTIONS ET FONCTIONS ») "1" = Oui, "0" = Non	1 0
	Éclairage au sol (voir « OPTIONS ET FONCTIONS ») "1" = Oui, "0" = Non	1 0
	Sonnerie "1" = Oui, "0" = Non	1 0
	Réglages d'usine Appuyer sur DÉPART/Pause pour rétablir aux réglages par défaut d'usine toutes les valeurs des réglages incluses dans le menu Réglages.	-

REMPILIR LE RÉSERVOIR DE SEL RÉGÉNÉRANT

L'utilisation de sel régénérant empêche la formation de CALCAIRE sur la vaisselle et sur les composantes fonctionnelles de l'appareil. Le réservoir de sel est situé dans la partie inférieure du lave-vaisselle (sous le panier inférieur sur le côté gauche).

- Le réservoir de sel **NE DOIT JAMAIS ÊTRE VIDE.**
- Il est important de régler la dureté de l'eau.
- Il convient de faire l'appoint de sel lorsque le voyant **REPLISSAGE SEL** est allumé sur le panneau de commande.



1. Enlevez le panier inférieur et dévissez le bouchon du réservoir (sens antihoraire).
2. Placez l'entonnoir (voir figure) et remplissez le réservoir de sel jusqu'au bord (environ 0,5 kg); il est normal qu'un peu d'eau déborde.
3. **La première fois uniquement, vous devez effectuer l'opération suivante: remplissez d'eau le réservoir à sel.**

4. Enlevez l'entonnoir et essuyez les résidus de sel autour de l'ouverture. Assurez-vous que le bouchon est bien serré pour éviter que du détergent pénètre dans le réservoir durant le cycle de lavage (le réservoir pourrait s'endommager au point de ne plus être réparable).

Exécuter un programme dès que vous complétez le remplissage du réservoir de sel afin d'éviter la corrosion.

Régler la dureté de l'eau

Pour que l'adoucisseur d'eau fonctionne à la perfection, il est important de régler la dureté de l'eau aux conditions existantes dans votre lieu de résidence. Cette information peut être obtenue de votre fournisseur d'eau local. L'usine règle la valeur par défaut de la dureté de l'eau. Le réglage d'usine est de « **3** ». Voir « **TABLEAU DE DURETÉ DE L'EAU** ».

Tableau de dureté de l'eau

Niveau	°dH Degrés allemand	°fH Degrés français	°Clark Degrés anglais
1 (très douce)	0 - 6	0 - 10	0 - 7
2 (moyenne)	7 - 11	11 - 20	8 - 14
3 (douce)	12 - 16	21 - 29	15 - 20
4 (dure)	17 - 34	30 - 60	21 - 42
5 (très dure)	35 - 50	61 - 90	43 - 62

Pour changer, suivez les instructions de la section « MENU DE RÉGLAGE ». **Utilisez seulement le sel spécialement conçu pour les lave-vaisselle.** Lorsque le sel est versé dans l'appareil, le voyant **AJOUTER DU SEL** s'éteint.

Si le contenant de sel n'est pas rempli, l'adoucisseur et l'élément chauffant peuvent être endommagés à cause de l'accumulation de calcaire. L'utilisation de sel est recommandée avec n'importe quel type de lessive pour lave-vaisselle.

SYSTÈME ADOUCISSEUR D'EAU

L'adoucisseur d'eau réduit automatiquement la dureté de l'eau, en empêchant ainsi la formation de calcaire sur la résistance, et en contribuant également à une meilleure performance de nettoyage.

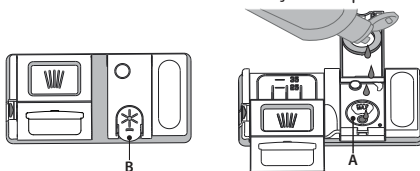
Ce système se régénère avec du sel, il est donc nécessaire de remplir le bac de sel lorsqu'il est vide.

La fréquence de régénération dépend du réglage du niveau de dureté de l'eau - la régénération a lieu une fois tous les **4-6** cycles Eco avec un niveau de dureté de l'eau réglé à **3**. Le processus de régénération a lieu en fin de cycle pendant que le lave-vaisselle est à l'arrêt. Au début de cycle suivant, le rinçage des résines permet d'évacuer tout le calcaire précipité et le saumur résiduel.

- Une régénération simple consomme : ~3 L d'eau ;
- Prend jusqu'à 5 minutes supplémentaires pour le cycle ;
- Consomme moins de 0,005 kWh d'énergie.

REMPILIR LE DISTRIBUTEUR DE LIQUIDE DE RINÇAGE

Le liquide de rinçage permet à la vaisselle de SÉCHER plus facilement. Le distributeur de liquide de rinçage **A** devrait être rempli lorsque le voyant de NIVEAU DE LIQUIDE DE RINÇAGE est allumé à l'écran.



1. Ouvrez le distributeur **B** en appuyant et en tirant sur l'onglet sur le couvercle.
2. Versez doucement du liquide de rinçage jusqu'à la marque de référence (110 ml) du réservoir de remplissage - évitez les débordements.

Si cela se produit, nettoyez les dégâts immédiatement avec un linge sec.

3. Appuyez sur le bouchon pour le fermer; un clic se fait entendre.

Ne JAMAIS verser le liquide de rinçage directement dans la cuve.

Ajuster le dosage du liquide de rinçage

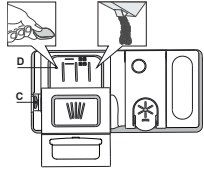
Si vous n'êtes pas complètement satisfait avec le séchage, vous pouvez ajuster la quantité de liquide de rinçage utilisée.

Pour changer, suivre les instructions dans la section « MENU DE RÉGLAGE ». Si le niveau de liquide de rinçage est à ZÉRO, il n'y aura pas de liquide de rinçage distribué. Dans ce cas, le voyant **LIQUIDE DE RINÇAGE BAS** ne s'allumera pas s'il ne reste plus de liquide de rinçage.

Un maximum de **6** niveaux peuvent être réglés selon le modèle du lave-vaisselle.

- Si vous observez des traces bleuâtres sur la vaisselle, placez sur un niveau plus bas (1-2).
- Si vous observez des gouttelettes d'eau ou des traces de calcaire sur la vaisselle, placez sur un niveau plus haut (4-5).

REMPILIR LE DISTRIBUTEUR DE DÉTERGENT



Pour ouvrir le distributeur de détergent, utilisez le dispositif d'ouverture C. Insérez le détergent dans le distributeur sec D seulement. Placez la quantité de détergent pour le pré-lavage directement dans la cuve.

1. Lorsque vous dosez le détergent, consultez les informations mentionnées précédemment pour ajuster la quantité correcte. À l'intérieur du distributeur D se trouvent des indications pour aider au dosage de la lessive.

2. Enlevez les résidus de détergent sur le bord des récipients avant de fermer le couvercle; un clic se fait entendre.
3. Fermez le couvercle du distributeur de détergent en le tirant vers le haut jusqu'à ce que le dispositif soit fermement en place.

Le distributeur de détergent s'ouvre automatiquement, au moment déterminé par le programme.

L'utilisation d'un détergent non-conçu pour les lave-vaisselle peut provoquer un dysfonctionnement ou des dommages à l'appareil.

UTILISATION QUOTIDIENNE

1. VÉRIFIER LE BRANCHEMENT DE L'EAU

Assurez-vous que l'appareil est raccordé à un réseau d'alimentation et que le robinet de l'eau est ouvert.

2. ALLUMER LE LAVE-VAISSELLE

Ouvrez la porte et appuyez sur la touche **MARCHE-ARRÊT**.

3. CHARGER LES PANIERS (voir CHARGEMENT DES PANIERS).

4. REMPLIR LE DISTRIBUTEUR DE DÉTERGENT

5. CHOISIR LE PROGRAMME ET PERSONNALISER LE CYCLE

Sélectionnez le meilleur programme selon le type de vaisselle et le niveau de saleté (voir DESCRIPTION DES PROGRAMMES) en appuyant sur la touche **PRÉCÉDENT/SUIVANT** sélectionnée.

Sélectionnez les options désirées (voir OPTIONS ET FONCTIONS). Toutes les options ne sont pas compatibles avec tous les programmes.

6. DÉMARRER

Démarrez le cycle de lavage et appuyez sur la touche **DÉPART/Pause** (le voyant est allumé) et en fermant la porte dans les 4 secondes. Quand le programme démarre, vous entendez un bip simple. Si la porte n'a pas été fermée dans les 4 secondes, le signal d'alarme est activé. Dans ce cas, ouvrez la porte, appuyez sur la touche **DÉPART/Pause** et fermez de nouveau la porte dans les 4 sec.

7. FIN DU CYCLE DE LAVAGE

La fin du programme de lavage est indiquée par un son et l'écran affiche **END** (FIN). Ouvrez la porte et éteignez l'appareil en appuyant sur la touche **MARCHE-ARRÊT**.

Pour éviter de vous brûler, attendez quelques minutes avant de retirer la vaisselle. Déchargez les paniers en commençant par le panier inférieur.

MODIFICATION D'UN PROGRAMME EN COURS

Si vous avez sélectionné le mauvais programme, vous pouvez le changer, à condition que ce soit fait au tout début du cycle. Pour cela, effectuez une **RÉINITIALISATION** de la machine: appuyez sur la touche **MARCHE-ARRÊT** et maintenez-la appuyée pendant plus de 3 secondes, et la machine s'éteindra. Le **tableau de commande affichera « 0:01 »**. Fermez la porte et attendez la fin du cycle de vidange (environ 1 minute). Ouvrez la porte et rallumez la machine en utilisant le bouton **MARCHE-ARRÊT** et sélectionnez le nouveau programme de lavage et les éventuelles options souhaitées. Démarrer le cycle en appuyant sur la touche **DÉPART/Pause** et en fermant la porte dans les 4 secondes.

AJOUT DE VAISSELLE SUPPLÉMENTAIRE

Sans couper la machine, ouvrez la porte tout d'abord légèrement pour éviter que l'eau néclabousse (Le voyant **DÉPART/Pause** commence à clignoter) **Attention : vapeur chaude**. Placer la vaisselle dans le lave-vaisselle. Appuyez sur la touche **DÉPART/Pause** et fermez la porte dans les 4 sec, le cycle reprendra à l'endroit où il a été interrompu.

INTERRUPTIONS ACCIDENTELLES

Si la porte est ouverte durant le cycle de lavage, ou s'il y a une panne de courant, le cycle s'interrompt. Fermez la porte et le cycle reprendra au moment où il a été interrompu **UNIQUEMENT SI VOUS APPUYEZ** sur la touche **DÉPART/Pause** et fermer la porte dans les 4 secondes.

AVIS ET CONSEILS

CONSEILS

Avant de charger les paniers, enlevez tous les résidus de nourriture sur la vaisselle et videz les verres. **Vous n'avez pas besoin de rincer la vaisselle avant de la placer dans le lave-vaisselle.**

Placez la vaisselle pour qu'elle tienne bien en place et ne risque pas de tomber; et placez les récipients avec les ouvertures vers le bas et les parties concaves/convexes de côté pour permettre à l'eau d'atteindre toutes les surfaces et couler librement.

Avertissement : Vérifiez que les couvercles, poignées et poêle à frire n'empêchent pas les bras d'aspersion de tourner librement. Placez les petits articles dans le panier à couvert. La vaisselle et les casseroles très sales devraient être placées sur le panier inférieur car les jets d'eau sont plus forts dans cette section et permet un meilleur rendement lors du lavage. Après avoir chargé l'appareil, assurez-vous que les bras d'aspersion peuvent bouger librement.

VAISSELLE QUI NE CONVIENT PAS

- Vaisselle et couverts en bois.
- Verres décoratifs délicats, produits artisanaux, et vaisselle antique. Les garnitures ne sont pas résistantes.
- Les pièces en matériel synthétique qui ne supportent pas les hautes températures.
- La vaisselle en cuivre ou en étain.
- La vaisselle tachée de cendre, de cire, de graisse lubrifiante, ou d'encre.

Les couleurs des garnitures de verre et des pièces d'aluminium/argent peuvent changer et ternir durant le cycle de lavage. Certains types de verre (p. ex. les objets en cristal) peuvent aussi devenir opaque après plusieurs cycles de lavage.

VERRES ET VAISSELLE ENDOMMAGÉS

- Seulement utiliser des verres ou de la porcelaine qui sont lavables au lave-vaisselle conformément aux recommandations du fabricant.
- Utilisez un détergent doux, adéquat pour la vaisselle.
- Retirez les verres et les couverts du lave-vaisselle aussitôt que le cycle de lavage est terminé.

ASTUCES SUR L'ÉCONOMIE D'ÉNERGIE

- Lorsque le lave-vaisselle domestique est utilisé conformément aux instructions du fabricant, **le lavage de la vaisselle dans un lave-vaisselle consomme habituellement MOINS D'ÉNERGIE et d'eau que le lavage à la main.**
- Afin d'optimiser l'efficacité du lave-vaisselle, il est recommandé de **débuter le cycle de lavage une fois que le lave-vaisselle est totalement chargé**. Le chargement du lave-vaisselle domestique jusqu'à la capacité indiquée par le fabricant contribuera à économiser de l'énergie et de l'eau. Vous trouverez des informations sur le chargement correct de la vaisselle dans le chapitre CHARGEMENT DES PANIERS. En cas de chargement partiel, il est recommandé d'utiliser des options de lavage spécifiques si elles sont disponibles (Demi-charge / Zone Wash/ Multizone), en remplissant uniquement les paniers sélectionnés. Un chargement incorrect ou une surcharge du lave-vaisselle peut augmenter l'utilisation des ressources (telles que l'eau, l'énergie et le temps, et augmenter le niveau de bruit), en réduisant les performances de nettoyage et de séchage.
- Un pré-rinçage manuel des éléments de vaisselle provoque une augmentation de la consommation d'eau et d'énergie et n'est pas recommandé.

HYGIÈNE

Pour éviter les odeurs et les dépôts qui pourraient s'accumuler dans le lave-vaisselle, **lancer le programme Autonettoyant** (sans vaisselle à l'intérieur) **au moins une fois par mois** (cf. rubrique OPTIONS ET FONCTIONS).

RÉSISTANCE AU GEL

Si l'appareil est installé dans une pièce exposée au risque de gel, **vidangez-le complètement**. Fermez la valve d'eau, retirez les tuyaux d'arrivée et de vidange, puis laissez l'eau s'écouler. **Assurez-vous que l'adoucisseur d'eau est plein de sel régénérant dissous dans le réservoir de sel**, pour protéger l'appareil des températures pouvant aller jusqu'à -20°C. Si l'appareil a été conservé dans des conditions de gel, il doit rester à une température ambiante de 5°C minimum pendant **au moins 24 heures** avant la première utilisation.

TABLEAU DES PROGRAMMES

Pro-gramme	Description des programmes	Séchage	NaturalDry	Options disponibles *)	Durée du programme de lavage (h:min) ^{**))}	Consom-mation d'eau (l/cycle)	Consom-mation d'énergie (kWh/cycle)
P1 Eco	Éco 50° - Le programme Eco est adapté pour nettoyer la vaisselle normalement sale. Pour cette utilisation, c'est le programme qui a une consommation d'eau et d'énergie la plus optimale. Il est utilisé pour évaluer la conformité à la législation européenne en matière d'éco-conception.	✓	✓		3:30	9,5	0,76
P2	Intensif Auto 65° - Programme automatique pour la vaisselle et les casseroles très sales.	✓	✓		2:25-3:10	15,5-24,5	1,30-1,70
P3	Mixte Auto 55° - Programme automatique pour de la vaisselle normalement sale avec des résidus d'aliments séchés.	✓	✓		1:20-3:00	7,5-19,5	0,75-1,20
P4	Rapide Auto 50° - Programme automatique pour de la vaisselle normalement et légèrement sale. Le cycle quotidien qui assure un nettoyage optimal et des performances de séchage en moins de temps.	✓	✓		1:00-1:50	7,5-15,5	0,70-1,10
P5	Rapide 45° - Ce programme est recommandé pour une quantité limitée de vaisselle légèrement sale sans résidus d'aliments séchés. N'inclut pas de phase de séchage.	-	✓		0:30-0:40	10,0-12,0	0,55-0,65
P6	Cristal 45° - Programme pour la vaisselle délicate, plus sensible aux températures élevées, comme les verres et les tasses.	✓	✓		1:40-1:50	12,5-16,5	0,95-1,20
P7	Silencieux 55° - Adéquat lorsque l'appareil fonctionne la nuit. Assure un nettoyage et des performances de séchage optimaux avec les plus faibles émissions de bruit.	✓	✓		3:50-4:10	10,5-14,5	0,80-1,15
P8	Antibactérien 65° - Vaisselle sale ou très sale, avec lavage antibactérien supplémentaire. Peut être utilisé pour effectuer l'entretien du lave-vaisselle.	✓	-		1:55-2:10	12,0-19,0	1,40-1,80
P9	Prélavage - Utilisez ce programme pour rafraîchir la vaisselle qui sera lavée plus tard. N'utilisez pas de détergent avec ce programme.	-	✓		0:12	4,5	0,10
P10	Autonettoyant 65° - Programme à utiliser pour effectuer l'entretien du lave-vaisselle, à réaliser uniquement lorsque le lave-vaisselle est VIDE en utilisant des détergents spécifiques conçus pour l'entretien du lave-vaisselle.	-	-		1:15	11,0	1,10

Les données du programme Éco sont mesurées sous des conditions en laboratoire conformément à la norme européenne EN 60436:2020.

Note pour les laboratoires d'essai : pour toutes informations sur les conditions d'essai comparatif EN, s'adresser à: dw_test_support@whirlpool.com.

Aucun prétraitement de la vaisselle n'est nécessaire avant l'un quelconque des programmes.

*) Les options ne peuvent pas toutes être utilisées en même temps.

**) Les valeurs indiquées pour des programmes différents du programme Éco sont fournis à titre indicatif uniquement. Le temps réel peut varier selon des facteurs comme la température et la pression de l'eau, la température de la pièce, la quantité de détergent, la quantité et le type de vaisselle, l'équilibre de la charge, les options supplémentaires sélectionnées, et la calibration du capteur. La calibration du capteur peut augmenter la durée du programme jusqu'à 20 minutes.

OPTIONS ET FONCTIONS

Les OPTIONS peuvent être sélectionnées/désélectionnées, après avoir choisi le programme, directement en appuyant sur la touche correspondante (si disponibles - les témoins s'allument) (voir le PANNEAU DE COMMANDE). Si une option n'est pas compatible avec le programme sélectionné (voir TABLEAU DES PROGRAMMES), le voyant correspondant clignote 3 fois et un bip se fait entendre. La fonction n'est pas activée. Une option peut changer le temps ou la consommation d'eau ou d'énergie du programme.

POWER CLEAN® - Grâce aux jets haute pression supplémentaires, cette option fournit un lavage plus intensif et puissant dans le panier inférieur, dans la zone spécifique. Elle est recommandée pour le lavage des poêles et des casseroles (Voir la section de chargement Power Clean®).

DEMI-CHARGE - S'il n'y a pas trop de vaisselle à laver, une option DEMI-CHARGE est utilisée pour économiser de l'eau, de l'électricité et du temps en fonction du programme choisi.

Rappelez-vous de diminuer de moitié la quantité de détergent.

EXTRA SEC - Une température supérieure pendant le rinçage final et une phase de séchage prolongée permettent un séchage amélioré. L'option EXTRA SEC prolonge le cycle de lavage.

DÉPART DIFFÉRÉ - Le début du programme peut être différé entre **30 minutes et 24 heures**.

1. Sélectionnez le programme et les options souhaités. Appuyez sur la touche DÉPART DIFFÉRÉ (plusieurs fois) pour retarder le début du programme. Réglable de 0:30 à 24 heures. Une fois que le réglage de 24 heures est atteint, appuyer encore une fois sur DÉPART DIFFÉRÉ pour désactiver la fonction DÉPART DIFFÉRÉ.

2. Appuyez sur la touche DÉPART/Pause et fermez la porte dans un délai de 4 sec.: la minuterie commence le compte à rebours.

3. Une fois le temps écoulé, le voyant s'éteint et le programme démarre automatiquement.

La fonction DÉPART DIFFÉRÉ ne peut pas être modifiée lorsque le programme est en cours.

NaturalDry - C'est un système de séchage à convection qui ouvre automatiquement la porte pendant/après la phase de séchage pour assurer une performance de séchage exceptionnelle chaque jour. La porte s'ouvre à la température qui est sûre pour les meubles de votre cuisine. A titre de protection supplémentaire contre la vapeur, un adhésif anti-vapeur spécifiquement conçu est livré avec le lave-vaisselle.

Pour voir comment poser cet adhésif, consulter le GUIDE D'INSTALLATION. Cette fonction est active par défaut, mais il est possible de la désactiver dans le « MENU DE RÉGLAGE ».

DÉTECTION - Lorsque le capteur détecte le niveau de saleté, une animation apparaît sur l'écran (environ 20 min.) et la durée du cycle est mise à jour. La DÉTECTION est destinée au niveau de salissure de la vaisselle et elle est présente pour tous les cycles de lavage (excepté Eco) en ajustant le programme en conséquence.

PROGRAMME FAVORI - Le programme favori peut être enregistré et sera facilement accessible. Trouver le programme en utilisant PRÉCÉDENT/SUIVANT, puis appuyer sur la touche de programme FAVORI pendant 3 secondes..

ROBINET D'EAU FERMÉ - Alarme
Clignote lorsqu'il n'y a pas d'arrivée d'eau ou que le robinet d'eau est fermé.

DÉTARTRAGE - Alarme - Une accumulation de tartre a été détectée sur des composants internes de l'appareil. Vérifier si le **Réglage de Dureté** de l'eau est à la valeur correcte et si **du sel est présent dans le réservoir de sel** (voir **PREMIÈRE UTILISATION**), puis **utiliser un produit détartrant** (la marque WPro est recommandée) avec le **programme Autonettoyant**. Après un détartrage réussi, l'icône s'éteindra.

Si les actions ci-dessus ne sont pas réalisées, les performances du produit se détérioreront. Un avertissement de « Détartrage » commencera à clignoter et une alarme « **DES** » apparaîtra sur l'écran. Si aucune action n'est entreprise, l'appareil pourra encore effectuer quelques cycles de lavage (nombre indiqué pendant l'affichage de l'alarme « **DES** ») puis il sera **BLOQUÉ** pour éviter les dommages aux composants, avec seulement le **programme Autonettoyant disponible**. La réalisation d'un détartrage complet déblocquera le produit. En cas de quantités très importantes de tartre, il est possible de devoir lancer deux fois successivement le programme Autonettoyant pour que le détartrage soit efficace.

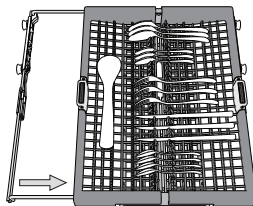
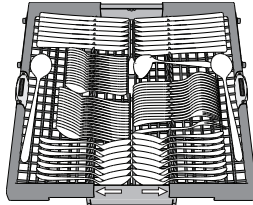
CHARGEMENT DES PANIERS

COMPARTIMENT À COUVERT

Le troisième panier a été conçu pour contenir les couverts. Placez les couverts comme illustré sur le dessin ci-contre. Séparer les couverts facilite le rangement après le cycle de lavage et améliore les programmes de lavage et de séchage.

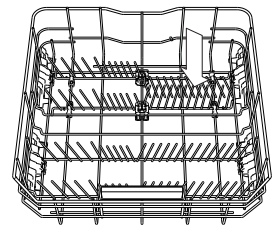
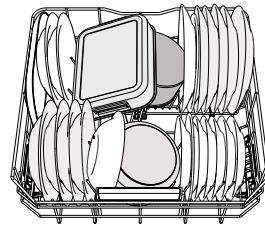
Les couteaux et autres ustensiles avec des bords tranchants doivent être placés dans le panier à couvert avec la pointe vers le bas.

Le panier à couvert comprend deux paniers coulissants sur les côtés pour optimiser l'utilisation de l'espace disponible et permettre le chargement de grands articles dans sur le panier supérieur.



PANIER INFÉRIEUR

Pour les poêles, les couvercles, les plats, les saladiers, les couverts, etc. Les grands plats et les grands couvercles devraient être placés sur le côté pour éviter qu'ils n'entravent le fonctionnement des bras d'aspersion. Le panier inférieur comprend des supports rabattables qui peuvent être placés en position verticale pour charger des assiettes, ou en position horizontale (bas) pour faciliter le chargement des casseroles et des saladiers.



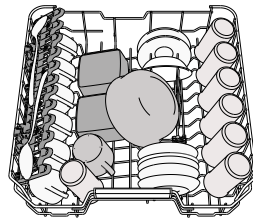
(exemple de chargement du panier inférieur)

PANIER SUPÉRIEUR

Chargez la vaisselle délicate et légère: verres, tasses, soucoupes, saladiers bas.

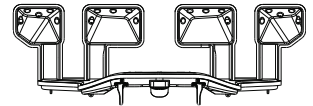
Le panier supérieur comprend des supports rabattables qui peuvent être placés en position verticale pour charger des assiettes, ou en position horizontale (bas) pour faciliter le chargement des bols et autres récipients.

(exemple de chargement du panier supérieur)



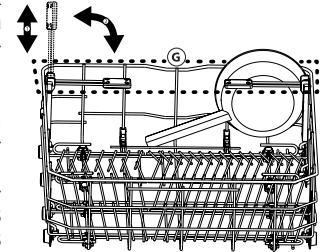
POWER CLEAN®

Power Clean® utilise des jets d'eau spéciaux, situés à l'arrière de la cavité, pour laver les articles très sales avec une intensité plus élevée. Le panier inférieur comprend une zone d'espace, un support spécial qui se trouve à l'arrière du panier, qui peut être utilisé pour supporter les poêles à frire et les moules dans une position verticale, prenant ainsi moins de place. Placer les poêles et les casseroles face aux jets Power Clean® situés à l'arrière de la cuve et activez **POWER CLEAN** sur le bandeau.



Comment utiliser Power Clean®.

1. Réglez la zone Power Clean® (G) en rabattant les supports pour assiettes arrières pour charger des casseroles.
2. Chargez les grands plats et les casseroles en les inclinant à la verticale dans la zone Power Clean®. Les casseroles doivent être inclinées dans la direction des jets d'eau haute pression.



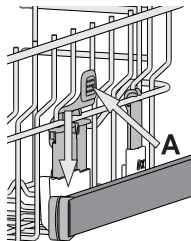
Ajuster la hauteur du panier supérieur

Vous pouvez ajuster la hauteur du panier supérieur: position élevée pour placer la vaisselle encombrante sur le panier inférieur et éviter les chocs avec le panier supérieur; en créant plus d'espace en hauteur.

Le panier supérieur comprend un **dispositif de réglage de la hauteur** (voir figure). Sans appuyer sur les leviers, simplement soulever en tenant le panier sur les côtés jusqu'à ce qu'il soit stable en position élevée. Pour abaisser le panier, appuyez sur les leviers **A** sur les côtés du panier et déplacez-le vers le bas.

Nous vous conseillons fortement de ne pas ajuster la hauteur du panier lorsqu'il est chargé.

Ne JAMAIS soulever ou abaisser un seul côté du panier.



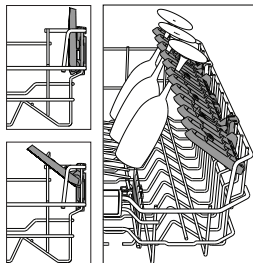
Volets pliables avec positions ajustables

Les volets pliables latéraux peuvent être pliés ou dépliés afin d'optimiser la disposition de la vaisselle à l'intérieur du panier.

Les verres de vin peuvent être placés de façon sécuritaire dans les volets pliables en insérant le pied de chaque verre dans la fente correspondante.

Selon le modèle :

- pour déplier les volets, il est nécessaire de les coulisser vers le haut et de les tourner ou de les libérer des fixations et de les tirer vers le bas.
- pour replier les volets, il est nécessaire de les tourner et de les faire coulisser vers le bas ou de les tirer vers le haut et de les accrocher aux fixations.



NETTOYAGE ET ENTRETIEN

NETTOYER L'ENSEMBLE FILTRE

Nettoyez régulièrement l'ensemble filtre pour éviter qu'il ne se bouche et pour permettre aux eaux usées de bien s'éliminer.

L'utilisation du lave-vaisselle avec des filtres obstrués ou des corps étrangers à l'intérieur du système de filtration ou des bras de lavage peut provoquer un dysfonctionnement du lave-vaisselle en réduisant l'efficacité de lavage, en augmentant le bruit de fonctionnement et la consommation d'électricité.

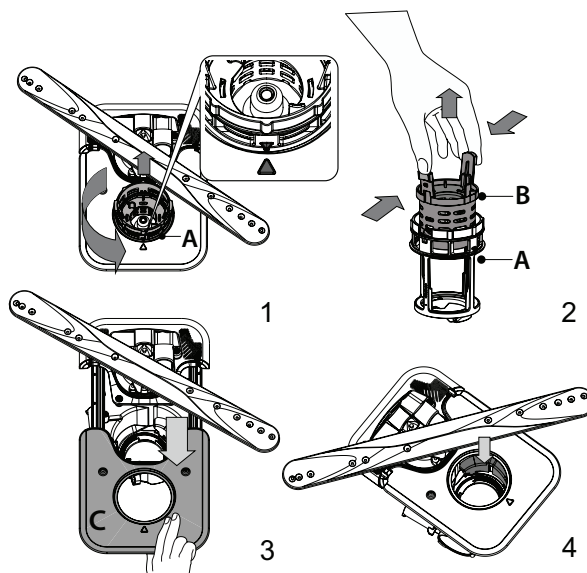
L'ensemble filtre comprend trois filtres qui séparent les résidus de nourriture de l'eau de lavage pour ensuite faire circuler l'eau.

N'utilisez pas le lave-vaisselle sans les filtres ou si un filtre est mal ajusté.

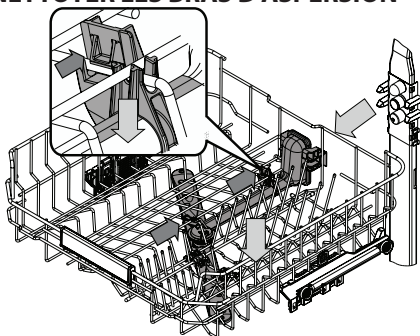
Au moins une fois par mois ou tous les 30 cycles, vérifiez l'assemblage du filtre et si nécessaire, nettoyez-le minutieusement sous l'eau courante, en utilisant une brosse non-métallique et en suivant les instructions ci-dessous:

1. Tournez le filtre cylindrique **A** dans le sens antihoraire et retirez-le (Fig. 1). **Il est important lors de la réinstallation du filtre que les deux triangles indiqués sur le zoom (Fig. 1) correspondent.**
2. Enlevez le panier du filtre **B** en appliquant une légère pression sur les volets latéraux (Fig. 2).
3. Retirez la plaque du filtre en acier inoxydable **C** (Fig. 3).
4. Si vous trouvez des objets étrangers (comme du verre brisé, de la porcelaine, des os, des pépins de fruits, etc), enlevez-les minutieusement.
5. Inspecter la cavité et enlever les résidus de nourriture. **NE JAMAIS ENLEVER** la protection de la pompe du cycle de lavage (indiqué par la flèche) (Fig 4).

Après avoir nettoyé les filtres, assemblez de nouveau l'ensemble filtre et remettez-le en place correctement; c'est très important pour que le lave-vaisselle garde son efficacité.

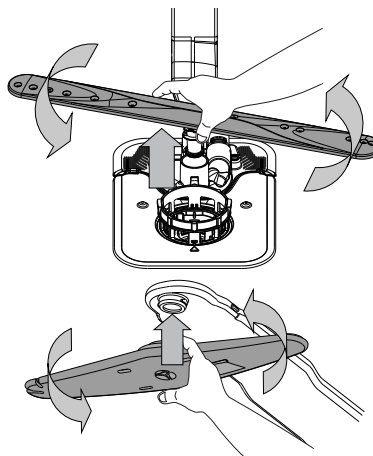


NETTOYER LES BRAS D'ASPERSION



À l'occasion, des résidus de nourriture s'incrustent dans les bras d'aspersion et bloquent les trous utilisés pour asperger de l'eau. Il est donc conseillé de vérifier les bras de temps en temps et de les nettoyer avec une petite brosse non métallique.

Pour démonter le bras d'aspersion intermédiaire, il faut déclipser l'ensemble collecteur d'eau situé sous le panier supérieur.



Le bras d'aspersion inférieur se démonte en le tirant vers le haut, tout en le tournant dans le sens inverse des aiguilles d'une montre.

Pour remonter le bras d'aspersion inférieur, il faut le pousser vers le bas tout en le tournant dans le sens des aiguilles d'une montre.

Le bras d'aspersion supérieur se démonte en le tirant vers le bas, tout en le tournant dans le sens inverse des aiguilles d'une montre. Pour remonter le bras d'aspersion supérieur, il faut le pousser vers le haut tout en le tournant dans le sens des aiguilles d'une montre.

DÉPANNAGE

Si votre lave-vaisselle ne fonctionne pas correctement, vérifiez si le problème peut être résolu en suivant la liste ci-après. Pour d'autres erreurs ou problèmes, contactez le Service après-vente agréé dont les coordonnées peuvent être trouvées dans le livret de garantie. Les pièces de rechange seront disponibles pour une période allant jusqu'à 7 ou jusqu'à 10 ans, selon les exigences spécifiques du règlement.

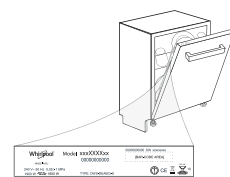
PROBLÈMES	CAUSES POSSIBLES	SOLUTIONS
L'indicateur de sel est allumé	Le réservoir de sel est presque vide.	Remplissez le réservoir de sel régénérant (voir REMPLEIR LE RÉSERVOIR DE SEL). Réglez la dureté de l'eau (voir TABLEAU DE DURETÉ DE L'EAU).
Le voyant de niveau de sel clignote	Le réservoir de sel est vide.	Remplissez le réservoir avec du sel dès que possible. L'utilisation de l'appareil sans sel peut provoquer des dommages à ses composants internes.
Le voyant de liquide de rinçage est allumé ou clignote	Le distributeur de liquide de rinçage est vide. (Après le remplissage, il est possible que le voyant du liquide de rinçage reste allumé pendant un certain temps).	Remplissez le distributeur avec du liquide de rinçage (voir REMPLEIR LE DISTRIBUTEUR DE LIQUIDE DE RINÇAGE).
Le voyant de détartrage est allumé ou clignote ; L'alarme « dES » s'affiche.	Du calcaire s'accumule sur les composants internes de l'appareil.	Détartrez l'appareil immédiatement en utilisant le programme Autonettoyant et un produit détartrant disponible dans le commerce (voir OPTIONS ET FONCTIONS). Remplissez le réservoir avec du sel. Vérifiez le réglage de la dureté de l'eau. Si l'appareil n'est pas détartré, il arrêtera de fonctionner.
Le lave-vaisselle ou les commandes ne fonctionnent pas.	L'appareil n'est pas bien branché.	Insérez la fiche dans la prise de courant.
	Panne de courant.	Pour des raisons de sécurité, le lave-vaisselle ne redémarrera pas automatiquement lors du rétablissement du courant. Ouvrez la porte du lave-vaisselle, appuyez sur le touche DÉPART/Pause, et fermez la porte dans les 4 secondes.
	La porte du lave-vaisselle n'est pas fermée. La tige du système NaturalDry n'est pas rentrée.	Poussez vigoureusement la porte pour entendre le « clic ».
	Un cycle est interrompu en cas d'ouverture de la porte pendant plus de 4 secondes.	Appuyez sur DÉPART/Pause et fermez la porte dans les 4 secondes.
	Le panneau de commande ne répond pas ou le message F6 E1 est affiché.	Éteignez l'appareil en appuyant sur la touche MARCHE-ARRÊT/Réinitialisation, rallumez-le environ une minute après, et redémarrez le programme. Si le problème persiste, débranchez l'appareil pendant 1 minute, puis rebranchez-le.

PROBLÈMES	CAUSES POSSIBLES	SOLUTIONS
Le lave-vaisselle ne se vidange pas. L'afficheur indique: F7 E3 ou F9 E1	Le filtre est bouché par des résidus de nourriture ou du calcaire.	Nettoyez le filtre et détartrez l'appareil (voir <i>NETTOYER L'ENSEMBLE FILTRE et INSTRUCTION POUR LE DÉTARTRAGE</i>).
	Le tuyau de vidange est plié.	Vérifiez le tuyau de vidange (voir <i>INSTRUCTIONS D'INSTALLATION</i>).
	Le conduit de vidange de l'évier est bouché.	Nettoyez le conduit de vidange de l'évier.
Le lave-vaisselle fait beaucoup de bruit.	La vaisselle s'entrechoque.	Remplacez la vaisselle correctement (voir <i>CHARGEMENT DES PANIERS</i>).
	Une quantité de mousse excessive est présente.	Le détergent a été mal mesuré ou il n'est pas adéquat pour les lave-vaisselle (voir <i>REPLISSAGE DU DISTRIBUTEUR DE DÉTERGENT</i>). Relancez le cycle en cours en éteignant le lave-vaisselle, puis en le rallumant, sélectionnez un nouveau programme, appuyez sur MARCHE-ARRÊT et fermez la porte dans les 4 secondes. Merci de ne pas ajouter de détergent.
	La vaisselle n'a pas été bien rangée.	Remplacez la vaisselle correctement (voir <i>CHARGEMENT DES PANIERS</i>).
	Le filtre est bouché par des résidus de nourriture ou du calcaire.	Nettoyez l'ensemble de filtre (voir <i>NETTOYAGE ET ENTRETIEN</i>).
La vaisselle n'est pas propre.	La vaisselle n'a pas été bien rangée.	Remplacez la vaisselle correctement (voir <i>CHARGEMENT DES PANIERS</i>).
	Les bras d'aspersion ne tournent pas librement, ils sont gênés par la vaisselle.	Remplacez la vaisselle correctement (voir <i>CHARGEMENT DES PANIERS</i>). Vérifier que le panier supérieur est dans la position correcte et ajuster le (lever) si nécessaire.
	Le cycle de lavage n'est pas assez intensif.	Sélectionnez le cycle de lavage approprié (voir <i>TABLEAU DES PROGRAMMES</i>).
	Une quantité de mousse excessive est présente.	Le détergent a été mal mesuré ou il n'est pas adéquat pour les lave-vaisselle (voir <i>REPLIR LE DISTRIBUTEUR DE DÉTERGENT</i>).
	Le bouchon du compartiment de liquide de rinçage n'est pas bien fermé.	Assurez-vous que le bouchon du distributeur de liquide de rinçage est fermé.
	Le filtre est bouché par des résidus de nourriture ou du calcaire.	Nettoyez le filtre et détartrez l'appareil (voir <i>NETTOYER L'ENSEMBLE FILTRE</i>).
	Le réservoir de sel est vide.	Remplir le réservoir de sel (voir <i>REPLIR LE RÉSERVOIR DE SEL</i>).
L'eau n'arrive pas au lave-vaisselle. L'afficheur indique : H2O et  est allumé ; une alarme sonore retentit.	L'alimentation d'eau est vide ou le robinet est fermé.	Assurez-vous qu'il y a de l'eau dans le circuit d'alimentation ou que le robinet est ouvert.
	Le tuyau d'arrivée d'eau est plié.	Vérifiez le tuyau d'entrée (voir <i>INSTALLATION</i>). Ouvrez la porte du lave-vaisselle, appuyez sur le touche DÉPART/Pause, et fermez la porte dans les 4 secondes.
	Le tamis dans le tuyau d'arrivée d'eau est obstrué ; vous devez le nettoyer.	Vérifiez et nettoyez le tamis dans le tuyau d'entrée d'eau. Ouvrez la porte du lave-vaisselle, appuyez sur le touche DÉPART/Pause, et fermez la porte dans les 4 secondes.
Le lave-vaisselle termine son cycle prématurément. L'afficheur indique : F8 E3 .	Le bouchon du compartiment de liquide de rinçage n'est pas bien fermé.	Nettoyez le filtre et détartrez l'appareil (voir <i>NETTOYER L'ENSEMBLE FILTRE et INSTRUCTION POUR LE DÉTARTRAGE</i>).
	Le tuyau de vidange est positionné trop bas ou se vide dans le système d'évacuation domestique.	Vérifiez que le tuyau de vidange n'est pas trop engagé dans la canalisation murale du réseau d'évacuation des eaux usées (voir <i>INSTALLATION</i>). En cas d'un branchement du tuyau de vidange sur le syphon d'un évier de cuisine, il faut installer un dispositif anti retour pour éviter le risque de siphonnage du lave-vaisselle.
	Une quantité de mousse excessive est présente.	Le détergent a été mal mesuré ou il n'est pas adéquat pour les lave-vaisselle (voir <i>REPLIR LE DISTRIBUTEUR DE DÉTERGENT</i>).
	De l'air est présent dans l'alimentation en eau.	Vérifiez si l'alimentation en eau présente des fuites ou d'autres problèmes laissant entrer de l'air.
La vaisselle n'est pas bien séchée.	Il n'y a pas de liquide de rinçage ou le dosage est trop faible.	Assurez-vous que le distributeur de liquide de rinçage est rempli (voir <i>REPLIR LE DISTRIBUTEUR DE LIQUIDE DE RINÇAGE</i>). Les tablettes multifonctions ne donnent pas un résultat de séchage aussi bon que l'utilisation effective de liquide de rinçage.
	La vaisselle a été chargée après l'ouverture automatique de la porte mais avant la fin du cycle effectif.	Assurez-vous que le cycle a pris fin avant de commencer à décharger la vaisselle (voir <i>UTILISATION QUOTIDIENNE</i>). Pour des résultats de séchage encore meilleurs, il est recommandé de laisser la vaisselle à l'intérieur du lave-vaisselle avec la porte ouverte pendant 15 minutes supplémentaires après la fin du cycle.
	La vaisselle est positionnée trop à plat.	Si vous constatez des flaques d'eau dans les cavités des tasses, mugs ou bols, essayez de charger la vaisselle (en particulier dans le panier supérieur) de manière plus inclinée pour permettre à l'eau de s'égoutter davantage avant que le séchage ne débute.
	Le cycle sélectionné n'a pas de phase de séchage.	Vérifiez sur le <i>TABLEAU DE PROGRAMMES</i> si le programme sélectionné est équipé dans la phase de séchage. Un cycle sans phase de séchage ne peut pas donner une efficacité de séchage souhaitée, il est donc recommandé de changer la sélection de cycle pour celle qui présente une phase de séchage.
La vaisselle est anti-adhérente ou en plastique.	Il est normal qu'il reste quelques gouttes d'eau sur ce type de matériau.	
La vaisselle et les verres ont des traces bleues ou des teintes bleutées.	Le dosage du liquide de rinçage est excessif.	Ajuster le dosage à une valeur inférieure.
Des traces de calcaire ou un film blanc sont présentes sur la vaisselle et les verres.	Le réservoir à sel est vide.	Remplissez le réservoir avec du sel dès que possible. L'utilisation de l'appareil sans sel peut provoquer des dommages à ses composants internes.
	Le réglage de la dureté de l'eau est trop bas.	Augmenter le réglage (voir <i>TABLEAU DURETÉ DE L'EAU</i>).
	Le bouchon du réservoir de sel n'est pas bien fermé.	Vérifiez et fermez le bouchon du réservoir de sel.
	Le réservoir de liquide de rinçage est vide ou le dosage de liquide de rinçage est insuffisant.	Remplissez le distributeur avec du liquide de rinçage et vérifiez le réglage du dosage (pour plus d'informations - voir <i>REPLIR LE DISTRIBUTEUR DE LIQUIDE DE RINÇAGE</i>).
Le lave-vaisselle affiche F8 E5	La vanne est bloquée ou défectueuse.	Fermez le robinet d'eau, si possible. Ne coupez pas l'alimentation électrique. Appelez la maintenance.



Vous trouverez les documents normatifs, la documentation standard, le classement des pièces de rechange et des informations supplémentaires sur les produits:

- En utilisant le QR code sur votre produit et visitant notre site web docs.whirlpool.eu/docs
- En visitant notre site web parts-selfservice.europeanappliances.com
- Vous pouvez également **contacter notre Service après-vente** (voir numéro de téléphone dans le livret de garantie). Lorsque vous contactez notre Service après-vente, veuillez indiquer les codes figurant sur la plaque signalétique de l'appareil.



Les informations relatives au modèle peuvent être trouvées en utilisant le QR-Code figurant sur l'étiquette énergétique. L'étiquette comprend également l'identifiant du modèle qui peut être utilisé pour consulter le portail du registre sur le site <https://eprel.ec.europa.eu>.



FR





ZAHVALJUJEMO VAM NA KUPOVINI PROIZVODA WHIRLPOOL. Kako bismo vam mogli pružiti potpuniju pomoć, registrirajte svoj uređaj na adresi: www.whirlpool.eu/register

Prije upotrebe uređaja pažljivo pročitajte ove Sigurnosne upute i Upute za postavljanje. Više informacija o proizvodu dostupno je na web-mjestu: docs.whirlpool.eu/docs.



Nakon postavljanja nemojte zaboraviti izvaditi sve zaštitne dijelove za transport iz perilice posuđa.

UPRAVLJAČKA PLOČA

- Gumb za **UKLJ/ISKLJ/Ponovno** postavljanje sa svjetlom indikatora
- Gumb **programa PRETHODNO**
- Gumb **programa SLJEDEĆE**
- Gumb za odabir **programa OMILJENO** sa svjetlom indikatora
- Svjetlo indikatora praznog spremnika za **Sol**
- Svjetlo indikatora praznog spremnika **Sredstva za Ispiranje**
- Svjetlo indikatora **UKLANJANJE KAMENCA**
- Svjetlo indikatora **Zatvorene Slavine za Vodu**
- Zaslon**
- Indikator **broja programa i preostalog vremena**
- Gumb **opcije Power Clean®** sa svjetlom indikatora



- Gumb **opcije Pola Punjenja** sa svjetlom indikatora/**Postavke** – pritisnuti na 3 s
- Gumb **opcije Ekstra Suho** sa svjetlom indikatora
- Gumb **opcije Odgode** sa svjetlom indikatora
- Gumb **START/Pauza** sa svjetlom indikatora

PRVA UPOTREBA

IZBORNIK POSTAVKI

- Uključite uređaj tako da pritisnete gumb za **UKLJ-ISKLJ**.
- Zadržite gumba **Postavke** (Pola Punjenja) na 3 sekunde dok ne začujete zvučni signal i na zaslonu se ne prikaže „**SET**“.
- Nakon jedne sekunde prikazat će se prva dostupna postavka (slovo „**h**“).
- Pritisnite **PRETHODNO**/**SLJEDEĆE** da biste se kretali kroz popis dostupnih postavki (pogledajte tablicu u nastavku), zatim pritisnite **START/Pauza** i promijenite vrijednost trenutno odabrane postavke.
- Pritisnite **PRETHODNO**/**SLJEDEĆE** da biste promijenili vrijednost, zatim pritisnite **START/Pauza** da biste spremili novu vrijednost i vratili se u glavni izbornik.
- Dругу postavku promijenite tako da ponovite točke 4 i 5.
- Pritisnite **UKLJ-ISKLJ** ili pričekajte 30 sekundi da biste izašli iz izbornika.

Pogledajte „**TABLICA TVRDOĆE VODE**“.

Tablica tvrdoće vode			
Razina	°dH Njemački stupnjevi	°fH Francuski stupnjevi	°Clark Engleski stupnjevi
1 (meko)	0 - 6	0 - 10	0 - 7
2 (srednja)	7 - 11	11 - 20	8 - 14
3 (prosječna)	12 - 16	21 - 29	15 - 20
4 (tvrda)	17 - 34	30 - 60	21 - 42
5 (vrlo tvrda)	35 - 50	61 - 90	43 - 62

Da biste promijenili, pratite upute u dijelu „**IZBORNIK POSTAVKI**“.
Upotrebljavajte isključivo sol koja je napravljena posebno za perilice suđa. Nakon što se sol ulije u stroj, isključuje se svjetlo indikator PUNJENJE SOLI.
Ako spremnik za sol nije napunjen zbog nakupljanja kamenca može doći do oštećenje omeškivača vode i grijača.
Upotreba soli preporučuje se sa svim vrstama deterdženta za pranje suđa.

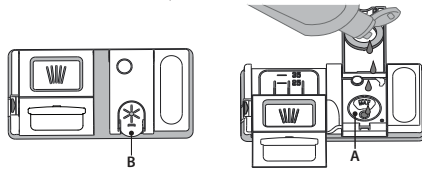
SUSTAV OMEKŠAVANJA VODE

Omeškivač vode automatski smanjuje tvrdoću vode čime se posljedično smanjuje nakupljanje kamenca na grijaču i pridonosi većoj učinkovitosti pranja. **Ovaj se sustav sam obnavlja pomoću soli pa zato spremnik soli treba napuniti kada je prazan.** Učestalost obnavljanja ovisi o postavci razine tvrdoće vode – obnavljanje se odvija jednom na svakih **4-6** Eko ciklusa s razinom tvrdoće vode postavljenom na **3**.
 Postupak obnavljanja odvija se na početku ciklusa uz dodatnu svježju vodu.

- Potrošnja jednog ciklusa obnavljanja: ~3L l vode;
- Ciklus traje 5 minuta dulje;
- Troši manje od 0,005 kWh struje.

PUNJENJE DOZATORA SREDSTVA ZA ISPIRANJE

Sredstvo za ispiranje olakšava **SUŠENJE** posuđa. Dozator sredstva za ispiranje **A** treba se napuniti kada se **svjetlo indikatora PUNJENJE SPREMNIKA ZA ISPIRANJE** uključi na upravljačkoj ploči.



- Otvorite dozator **B** tako da pritisnete i povučete jezičac na poklopcu.
- Pažljivo uvedite sredstvo za ispiranje do referente oznake maksimalne količine (110 ml) prostora za punjenje, pazite da ne dođe do prolivanja. Ako se to dogodi, suhom krpom odmah očistite proliveno.

3. Pritisnite poklopac dok se ne zatvori uz klik.
Sredstvo za ispiranje NIKADA ne ulijevajte izravno u kadicu.

Podešavanje doziranja sredstva za ispiranje

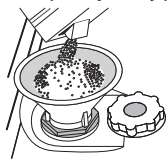
Ako niste potpuno zadovoljni rezultatima sušenja, možete podesiti količinu upotrijebljenog sredstva za ispiranje.
 Da biste promijenili, pratite upute u dijelu „**IZBORNIK POSTAVKI**“.
 Ako je razina sredstva za ispiranje postavljena na **NULU**, sredstvo za ispiranje neće se upotrijebiti. Svjetlo indikatora **NISKA RAZINA SREDSTVA ZA ISPIRANJE** neće se uključiti ako ste potrošili sredstvo za ispiranje.
 Ovisno o vrsti perilice suđa mogu se postaviti najviše **6** razine.

- Ako na suđu primijetite plavičaste pruge, postavite nizak broj (0-3).
- Ako na suđu ima kapi vode ili tragova kamenca, postavite viši broj (4-5).

PUNJENJE SPREMNIKA ZA SOL

Upotreba soli sprječava stvaranje kamenca na posuđu i na funkcionalnim sastavnim dijelovima stroja. Spremnik za sol nalazi se u donjem dijelu perilice posuđa (ispod donje košare, s lijeve strane).

- Nužno je pridržavati se toga da **spremnik soli nikada nije prazan.**
- Tvrdoća vode mora se postaviti.
- Sol se mora napuniti kad je **svjetlo indikatora PUNJENJE SOLI** na upravljačkoj ploči uključeno.



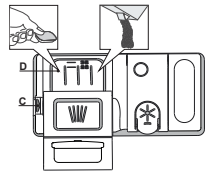
- Skinite donju košaru i odvijte čep spremnika (u smjeru suprotnom od smjera kazaljke na satu).
- Postavite lijevak (pogledajte sliku) i spremnik soli napunite do samog ruba (približno 0,5 kg); Curenje male količine vode nije neobično.
- Samo kod prve uporabe: napunite spremnik za sol vodom.**

- Uklonite lijevak i obrišite ostatke soli s otvora. Provjerite je li poklopac čvrsto zategnut tako da deterdžent ne može ući u spremnik tijekom programa pranja (to bi moglo nepovratni oštetiti omeškivač vode). **Program pokrenite svaki put nakon punjenja spremnika soli da biste izbjegli koroziju.**

Postavljanje tvrdoće vode

Kako bi omeškivač vode mogao savršeno raditi, tvrdoća vode mora se postaviti na temelju stvarne tvrdoće vode u domaćinstvu. Tu informaciju možete dobiti u lokalnom vodoopskrbnom poduzeću. Tvornička je postavka „**3**“.

PUNJENJE SPREMNIKA ZA DETERDŽENT



Za otvaranje spremnika za deterdžent upotrijebite uređaj za otvaranje C. Deterdžent stavite samo u suhi spremnik D. Količinu deterdženta za pretpranje stavite izravno u kadu.

1. Prilikom doziranja deterdženta pogledajte ranije navedene informacije kako biste stavili odgovarajuću količinu. Unutar dozatora D nalaze se oznake koje vam pomažu prilikom doziranja.

2. Uklonite ostatke deterdženta s rubova spremnika prije no što poklopac zatvorite tako da sjedne.
3. Poklopac spremnika za deterdžent zatvorite tako da ga povučete dok se mehanizam za zatvaranje ne učvrsti.

Spremnik za deterdžent automatski se otvara u odgovarajućem trenutku ovisno o programu.

Upotreba deterdženta koji nije namijenjen perilicama posuđa može prouzročiti nepravilnosti ili oštećenje uređaja.

SVAKODNEVNA UPORABA

1. PROVJERA PRIKLJUČKA ZA VODU

Provjerite je li perilica suđa spojena na dovod vode i je li otvorena slavina.

2. UKLJUČIVANJE PERILICE SUĐA

Otvorite vrata i pritisnite gumb **UKLJ/ISKLJ**.

3. PUNJENJE KOŠARA (pogledajte PUNJENJE KOŠARA).

4. PUNJENJE SPREMNIKA ZA DETERDŽENT

5. ODABIR PROGRAMA I PRILAGOĐAVANJE CIKLUSA

Odaberite najprikladniji program prema vrsti posuđa i razini zaprljanja (pogledajte **OPIS PROGRAMA**) pritiskom na tipke **PRETHODNO/SLJEDEĆE**. Odaberite željene opcije (pogledajte **OPCIJE I FUNKCIJE**). Sve opcije nisu kompatibilne sa svim programima.

6. POKRETANJE

Ciklus pranja započnite pritiskom na gumb **START/Pauza** (uključeno je led svjetlo) i zatvorite vrata u roku od 4 s. Kada program započne oglašava se jedan zvučni signal bip. Ako se vrata ne zatvore u roku od 4 s, oglasit će se zvučni alarm. U tom slučaju otvorite vrata, pritisnite gumb **START/Pauza** i ponovno zatvorite vrata u roku od 4 s.

7. KRAJ CIKLUSA PRANJA

Kraj ciklusa pranja označen je zvučnim signalima bip i na zaslonu se prikazuje **END (KRAJ)**. Otvorite vrata i uređaj isključite tako da pritisnete gumb **UKLJ/ISKLJ**.

Pričekajte nekoliko minuta prije vađenja posuđa kako biste izbjegli opekotine. Ispraznite košare, započevajući s donjom košarom.

IZMJENA PROGRAMA U RADU

Ako odaberete pogrešan program, možete ga promijeniti pod uvjetom da je tek započeo. **RESETIRAJTE** stroj: pritisnite i držite gumb **UKLJ/ISKLJ** duže od 3 s i stroj će se isključiti. **Na upravljačkoj će se ploči prikazati „0:01“**. Zatvorite vrata i pričekajte dok ne završi ciklus pražnjenja (oko 1 minute). Otvorite vrata i ponovno uključite stroj pomoću gumba **UKLJ/ISKLJ** i odaberite novi ciklus pranja i sve željene opcije. Ciklus pokrenite tako da pritisnete **START/Pauza** i vrata zatvorite u roku od 4 s.

DODAVANJE DODATNOG POSUĐA

Ne isključujući stroj prvo malo otvorite vrata da biste izbjegli prskanje vode. Led svjetlo (**START/Pauza** počinje treperiti) (**Oprez! Vruća para!**) i stavite suđe u perilicu suđa. Pritisnite gumb **START/Pauza** i zatvorite vrata u roku od 4 s, ciklus će se nastaviti od mjesta na kojem je prekinut.

NEHOTIČNI PREKIDI

Ako se tijekom ciklusa pranja vrata otvore ili ako je došlo do nestanka struje, ciklus se zaustavlja. **SAMO KAD PRITISNETE** gumb **START/Pauza** i zatvorite vrata u roku od 4 s, ciklus će se nastaviti od mjesta na kojem je prekinut.

SAVJETI

SAVJETI

Prije punjenja košara uklonite sve ostatke hrane s posuđa i ispraznite čaše. Ne morate ih ispirati tekućom vodom.

Posuđe složite tako da čvrsto stoji i ne prevrće se; spremnike složite tako da su otvori okrenuti prema dolje, a konkavni/konveksni dijelovi ukošeni kako bi se omogućilo da voda dođe do svih površina i slobodno protiče.

Upozorenje: poklopci, ručke, pladnjevi i tave ne sprječavaju okretanje nosača mlaznica.

Sitne predmete stavite u košare za pribor za jelo.

Vrlo prljavo suđe i tave treba staviti u donju košaru jer je u tom dijelu jači mlaz vode i omogućuje se bolja učinkovitost pranja.

Nakon punjenja uređaja provjerite mogu li se nosači mlaznica slobodno okretati.

NEPRIKLADNO SUĐE

- Drveno suđe i pribor za jelo.
- Osjetljive ukrašene čaše, umjetnički predmeti i antičko suđe. Njihovi ukrasi nisu otporni.
- Dijelovi od sintetičkog materijala koji ne podnose visoke temperature.
- Suđe od bakra i lima.
- Suđe zaprljano pepelom, voskom, mazivima ili tintom.

Boje ukrasa na čašama i aluminijski/srebrni dijelovi mogu se promijeniti i izbljediti tijekom postupka pranja. Neke vrste čaša (npr. kristali predmeti) mogu se postati neprozirni nakon određenog broja ciklusa pranja.

OŠTEĆENJE ČAŠA I SUĐA

- Upotrebljavajte samo čaše i porculansko suđe za koje proizvođač jamči da se može prati u perilici suđa.
- Upotrebljavajte deterdžent za osjetljivo posuđe prikladan za posuđe
- Čaše i pribor za jelo izvadite iz perilice suđa čim ciklus pranja završi.

SAVJETI ZA UŠTEDU ENERGIJE

- Kada se perilica posuđa u domaćinstvu upotrebljava u skladu s uputama proizvođača **pranjem posuđa u perilici posuđa obično se troši MANJE ENERGIJE i vode nego prilikom ručnog pranja**.
- Preporučujemo da povećate učinkovitost perilice posuđa tako da **ciklus pranja pokrećete tek kada je perilica posuđa do kraja napunjena**. Kada perilicu posuđa punite do kapaciteta koji je naveo proizvođač, pridonosite uštedi energije i vode. Podatke o pravilnom punjenju posuđa možete pronaći u poglavlju PUNJENJE KOŠARA. U slučaju da je perilica djelimično napunjena, preporučuje se da upotrebljavate posebne opcije pranja, ako su dostupne (Half load/ Zone Wash/ Multizone) i punite samo odabrane košare. Nepravilno punjenje ili pretjerano punjenje može povećati upotrebu resursa (kao što su voda, energija i vrijeme te povećati razinu buke) i smanjiti učinkovitost pranja i sušenja.
- Ručno ispiranje posuđa dovodi do veće potrošnje vode i energije te se ne preporučuje.

HIGIJENSKI PROGRAM

Kako bi se izbjegla pojava neugodnih mirisa i taloga koji se može nakupiti u perilici suđa, **program s visokom temperaturom pokrećete najmanje jednom mjesečno**. Upotrijebite čajnu žlicu deterdženta i pokrenite perilicu bez punjenja kako biste očistili uređaj.

OTPORNOST NA ZAMRZAVANJE

Ako se uređaj postavi u okruženje izloženo mrazu, iz njega se **mora potpuno ispustiti voda**. Zatvorite ventil, uklonite dovodno i odvodno crijevo te ispustite svu vodu. **Provjerite da je omekšivač vode pun otopljenе soli za regeneraciju u spremniku soli**, a da bi se uređaj zaštitio od temperatura do -20 °C.

Ako je uređaj bio uskladišten u uvjetima gdje ima leda, mora ostati na temperaturi okoline od min. 5°C **najmanje 24 sata** prije prvog pokretanja.

TABLICA PROGRAMA

Program	Opis programa	Faza sušenja	NaturalDry	Dostupne opcije *)	Trajanje programa pranja (h:min)**	Potrošnja vode (litara po ciklusu)	Potrošnja energije (kWh po ciklusu)
P1 Eco	Eko 50° - Program Eko prikladan je za uobičajeno prljavo posuđe i pri takvoj je upotrebi to najučinkovitiji program po pitanju ukupne potrošnje vode i energije i upotrebljava se za procjenu usklađenosti s propisima EU o ekološkom načinu izrade.	✓	✓		3:30	9,5	0,76
P2	Automatsko Intenzivno 65° - Automatski program za jače zaprljano posuđe i lonce.	✓	✓		2:25-3:10	15,5-24,5	1,30-1,70
P3	Automatsko Mješovito 55° - Automatski program za uobičajeno zaprljano suđe s osušenim ostacima hrane.	✓	✓		1:20-3:00	7,5-19,5	0,75-1,20
P4	Automatsko Brzo 50° - Automatski program za uobičajeno i lagano zaprljano posuđe. Svakodnevni ciklus koji osigurava optimalne rezultate čišćenja i sušenja za manje vremena.	✓	✓		1:00-1:50	7,5-15,5	0,70-1,10
P5	Brzo 45° - Program se preporučuje za ograničenu količinu malo zaprljanog posuđa bez osušenih ostataka hrane. Ne uključuje fazu sušenja.	-	✓		0:30-0:40	10,0-12,0	0,55-0,65
P6	Kristal 45° - Program za osjetljivo posuđe koje je osjetljivije na visoke temperature, primjerice čaše i šalice.	✓	✓		1:40-1:50	12,5-16,5	0,95-1,20
P7	Tiho 55° - Prikladno za noćni rad uređaja. Osigurava optimalnu učinkovitost čišćenja i sušenja uz najnižu emisiju buke.	✓	✓		3:50-4:10	10,5-14,5	0,80-1,15
P8	Higijensko 65° - Uobičajeno ili jače zaprljano posuđe s dodatnim antibakterijskim pranjem. Može se upotrebljavati za održavanje perilice suđa.	✓	-		1:55-2:10	12,0-19,0	1,40-1,80
P9	Pretpranje - Upotrebljava se za osvježavanje posuđa koje će se prati kasnije. S ovim programom ne upotrebljava se deterdžent.	-	✓		0:12	4,5	0,10
P10	Samочиšćenje 65° - Program koji se upotrebljava za održavanje perilice posuđa treba izvršiti samo ako je perilica posuđa PRAZNA, a pritom treba rabiti posebne deterdžente za održavanje perilice posuđa.	-	-		1:15	11,0	1,10

Podaci EKO programa izmjereni su u laboratorijskim uvjetima u skladu s europskom normom EN 60436:2020.

Napomena za pokusne laboratorije: detaljne informacije o uvjetima za komparativni pokus EN zatražite na adresi: dw_test_support@whirlpool.com

Prije primjene bilo kojeg programa nije potrebno obraditi posuđe.

*) Sve opcije ne mogu se istovremeno upotrebljavati.

**) Vrijednosti navedene za programe, osim programa Eko, služe isključivo kao informacija. Stvarno vrijeme može se razlikovati ovisno o brojnim čimbenicima kao što su temperatura i tlak ulazne vode, sobna temperatura, količina deterdženta, količina i vrsta punjenja, ravnoteža punjenja, dodatne odabrane opcije i baždarenje senzora. Baždarenje senzora može povećati trajanje programa do 20 min.

OPCIJE I FUNKCIJE

OPCIJE se mogu odabrati/poništiti odabir, nakon odabira programa, izravno pritiskom na odgovarajući gumb (ako je dostupan – uključuje se kontrolno svjetlo) (pogledajte UPRAVLJACKU PLOČU). Ako neka opcija nije kompatibilna s odabranim programom (pogledajte TABLICU PROGRAMA) odgovarajuće LED svjetlo 3 puta brzo trepne i oglašava se zvučno upozorenje bip. Opcija se neće omogućiti. Opcija može promijeniti trajanje ili potrošnju vode ili energije određenog programa.

POWER CLEAN® - Zahvaljujući dodatnim snažnim sapnicama ova opcija omogućuje intenzivnije i snažnije pranje u donjem koritu, na određenom području. Ta se opcija preporučuje za pranje lonca i posuda za pečenje (Pogledajte odjeljak Punjenje uređaja Power Clean®).

POLA PUNJENJA - ako nema puno posuđa koje je potrebno oprati, upotrebljava se opcija s POLA PUNJENJA radi uštede vode, struje ili vremena, ovisno o odabranom programu.

Nemojte zaboraviti smanjiti količinu deterdženta.

EKSTRA SUHO - viša temperatura tijekom završnog ispiranja kao i produžena faza sušenja koja omogućava bolje sušenje. Opcija EKSTRA SUHO skraćuje trajanje ciklusa pranja.

ODGODA - pokretanje programa može se odgoditi u razdoblju između 0:30 i 24 sata.

1. Odaberite program i sve željene opcije. Pritisnite gumb ODGODA (uzastopce) kako biste odgodili pokretanje programa. Može se podesiti od 0:30 do 24 sata. Kad se dostigne postavka od 24 sata, još jednom pritisnete ODGODA da biste isključili funkciju ODGODA.

2. Pritisnite gumb Start/Pauza i zatvorite vrata u roku od 4 s. Mjerač vremena započet će odbrojanje.

3. Po isteku vremena svjetlo indikatora isključuje se i program automatski započinje.

Funkcija ODGODA ne može se postaviti nakon početka programa.

OMILJENI - Omiljeni se program može se spremirati i bit će lako dostupan. Pronađite program s pomoću PRETHODNO/SLJEDEĆE, a zatim pritisnite gumb programa OMILJENI na 3 sekunde.

ZATVORENA SLAVINA ZA VODU – Alarm - Treperi kada nema ulazne vode ili je slavina zatvorena.

NaturalDry - Konvekcijski je sustav sušenja koji automatski otvara vrata tijekom/nakon faze sušenja da bi svakodnevno zajamčio izvanrednu učinkovitost sušenja. Vrata se otvaraju na temperaturi sigurnoj za vaš kuhinjski namještaj stoga.

Kao dodatnu zaštitu od pare, zajedno s perilicom posuđa, isporučuje se posebno dizajnirana zaštitna folija.

Način postavljanja zaštitne folije pogledajte u dijelu VODIČ ZA POSTAVLJANJE. Ta je značajka uključena prema zadanim postavkama, no može se isključiti u „IZBORNIK POSTAVKI“.

UKLANJANJE KAMENCA – Alarm - otkriveno je nakupljanje kamenca na unutarnjim sastavnim dijelovima uređaja. Provjerite je li **postavka tvrdoće vode na ispravnoj vrijednosti i ima li soli u spremniku za sol** (pogledajte PRVA UPO TREBA) pa zatim **upotrijebite proizvod za uklanjanje kamenca** (preporučuje se marka WPro) s **programom Samочиšćenje**. Nakon uspješnog uklanjanja kamenca, prestaje se prikazivati ikona.

Ako se ne obave gornje radnje, smanjit će se učinkovitost uređaja. Započete će treperiti upozorenje UKLONI KAMENAC i na zaslonu će se prikazati alarm „dES“. Ako se nikakva radnja i dalje ne poduzme, uređaj će omogućiti pokretanje samo određenog broja ciklusa (naveden tijekom prikaza alarma „dES“), a zatim će se **BLOKIRATI** da bi se spriječilo oštećenje sastavnih dijelova, a **samo će program Samочиšćenje biti dostupan**. Obavljanje potpunog uklanjanja kamenca deblokirat će proizvod. Ako se radi o iznimno velikoj količini kamenca, uklanjanje kamenca može se dva puta obaviti da bi bilo učinkovito.

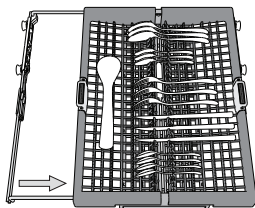
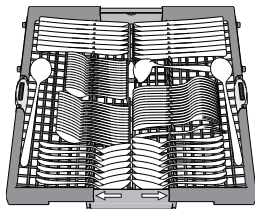
OSJETLJIVOST - Kad senzor otkrije razinu zaprljanosti prikazuje se animacija na zaslonu (pribl. 20 min) i ažurira se trajanje ciklusa. Opcija OSJETLJIVOST označava razinu zaprljanosti posuđa i dostupna je u svim ciklusima (izuzev Eko) prilagođavajući program u skladu s njom.

POLICA ZA PRIBOR ZA JELO

Treća košara namijenjena je priboru za jelo. Pribor za jelo složite kako je prikazano na slici. Odvojeno slaganje pribora za jelo olakšava sakupljanje nakon pranje i poboljšava učinkovitost pranja i sušenja.

Noževе i ostali pribor s oštricom mora se postaviti s oštricama okrenutima prema dolje.

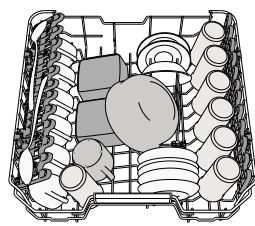
Košara za pribor za jelo opremljena dvjema kliznim ladicama kako bi se iskoristila visina ispod gornje košare i omogućilo umetanje visokih predmeta u gornju košaru.

**GORNJA KOŠARA**

Punite je osjetljivim, laganim suđem: čašama, šalicama, posudama za umake i laganim zdjelama za salatu.

Gornja košara ima potpornje za postavljanje koji se mogu upotrebljavati u okomitom položaju prilikom slaganja šalica za čaj/deserte ili u vodoravnom položaju za slaganje zdjela i spremnika za hranu.

(primjer punjenja za gornju košaru)

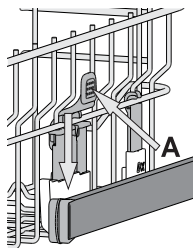
**Podešavanje gornje košare po visini**

Visina gornje košare može se podesiti: visoki položaj za postavljanje glomaznog suđa u donju košaru i niski položaj za potpuno iskorištavanje potpornja za postavljanje stvaranjem više mjesta u gornjem dijelu i izbjegavanje udaraca s predmetima u donjoj košari

Gornja je košara opremljena **mehanizmom za podešavanje gornje košare po visini** (pogledajte sliku) i bez pritiska na ručice podignute je tako da smo uhvatite stranice košare čim je košara stabilna u svom gornjem položaju.

Za ponovno postavljanje u donji položaj pritisnite ručice **A** na stranicama košare i pomaknite je prema dolje. **Preporučujemo da podešavanje po visini ne obavljate s punom košarom.**

Košaru NIKADA ne podižite ili spuštajte samo na jednoj strani.

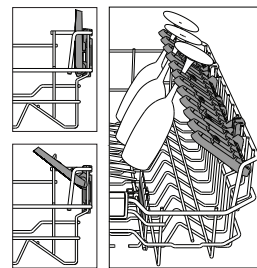
**Pomični preklopi s podesivim položajem**

Bočni pomični preklopi mogu se sklopiti ili rasklopiti da bi se poboljšalo slaganje posuđa u košaru.

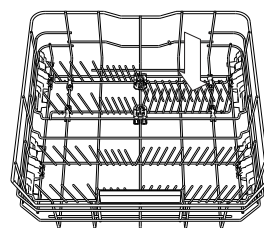
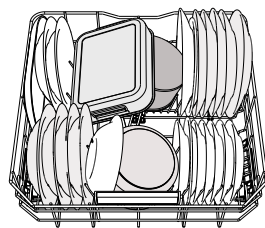
Čaše za vino mogu se sigurno postaviti u pomične preklope tako da se nožica svake čaše umetne u odgovarajući otvor.

Ovisno o modelu:

- preklope sklopite tako da ih skliznete i okrenete ili ih otpustite iz utora i izvučete.
- preklope rasklopite tako da ih okrenete i klizno pomaknete prema dolje ili podignete i preklope pričvrstite na utore.

**DONJA KOŠARA**

Za lonce, tave, tanjure, zdjele za salatu, pribor za jelo itd. Velike tanjure i poklopce idealno bi bilo postaviti sa strane kako bi se izbjeglo da ometaju nosače mlaznica. Donja košara ima potpornje za postavljanje koji se mogu upotrebljavati u okomitom položaju prilikom slaganja tanjura ili u vodoravnom (donjem) položaju za jednostavno slaganje zdjela za salatu.



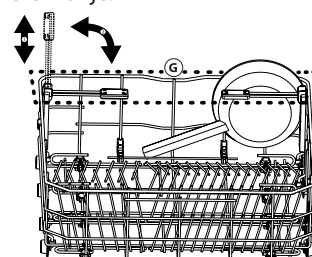
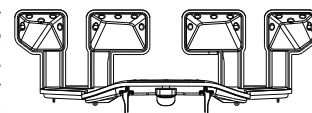
(primjer punjenja za donju košaru)

POWER CLEAN®

Način Power Clean® koristi posebne mlaznice vode u stražnjem dijelu kako bi se intenzivnije opralo jako zaprljano posuđe. Donja košara ima **Prostrano područje**, poseban potporanj za izvlačenje u stražnjem dijelu košare koji se može upotrijebiti kao potpora za tave ili posude za pečenje u uspravnom položaju kako bi zauzimale manje.

Kada stavljate lonce/posude za pečenje okrenute prema sastavnom dijelu Power Clean®, na ploči uključite **POWER CLEAN®**. Način upotrebe dijela Power Clean®:

1. Područje snažnog čišćenja Power Clean® (G) namjestite sklapanjem stražnjih držača za tanjure kako biste stavili lonce.
2. Lonce i posude za pečenje postavite nagnute okomito u područje snažnog čišćenja Power Clean®. Posude nagnite prema sapnicama snažnog čišćenja.

**ČIŠĆENJE I ODRŽAVANJE****ČIŠĆENJE SKLOPA FILTRA**

Redovito čistite sklop filtra tako da se filtri ne začepi i da otpadna voda ispravno istječe.

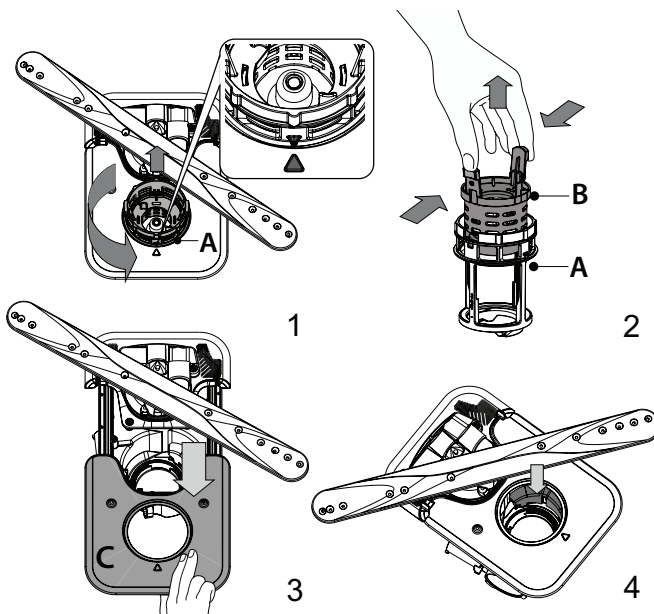
Upotreba perilice posuđe sa začepljenim filtrima ili stranim predmetima u sustavu filtriranja ili prskalicama može prouzročiti neispravnosti koje dovode do gubitka učinkovitosti, veće buke u radu ili veće potrošnje energenata. Sklop filtra sastoji se od tri filtra koji uklanjaju ostatke hrane iz vode za pranje i zatim ponovno pokreću kruženje vode: za najbolje rezultate pranja održavajte ih čistim.

Perilica suđa ne smije se upotrebljavati bez filtara ili s otpuštenim filtrom.

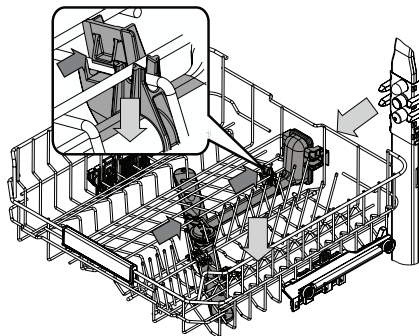
Najmanje jednom mjesečno ili nakon svakih 30 ciklusa pranja provjerite sklop filtra i po potrebi ga temeljito očistite tekućom vodom upotrebljavajući četku koja nije od metala i prema uputama u nastavku:

1. Cilindrični filtar **A** okrenite u smjeru suprotnom od smjera kazaljke na satu i izvučite ga (sl. 1). **Prilikom ponovnog postavljanja filtra moraju se spojiti dva trokuta prikazana na zumiranju.**
2. Skinite filtar šalicu **B** tako da lagano pritisnete bočna križca (sl. 2).
3. Klizno izvadite pločasti filtar od nehrđajućeg čelika **C** (sl. 3).
4. Ako pronađete strane predmete (npr. razbijeno staklo, porculan, kosti, sjemenke voća itd.), **pažljivo ih uklonite.**
5. Pregledajte otvor i uklonite sve ostatke hrane. **NIKADA NE SKIDAJTE štitnik pumpe ciklusa pranja (prikazano strelicom) (sl. 4).**

Nakon čišćenje filtara vratite sklop filtra i pravilno ga učvrstite na mjesto; to je važno za održavanje učinkovitog rada perilice suđa.

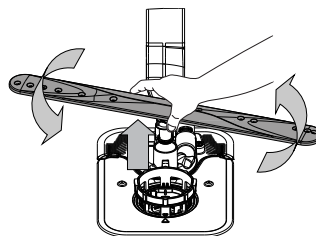


ČIŠĆENJE NOSAČA MLAZNICA

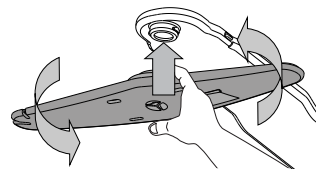


Povremeno, ostaci hrane mogu se skoriti na nosačima mlaznica i blokirati otvore za raspršivanje vode. Zbog toga se preporučuje da povremeno provjerite nosače i očistite ih malom četkicom koja nije metalna.

Gornju mlaznicu možete skinuti tako da je obavezno skinete zajedno s odvodom.



Donji krak mlaznice može se skinuti tako da se povuče prema gore i okrene u smjeru suprotnom od smjera kazaljke na satu. Mlaznica se ponovno postavlja tako da se pritisne i okrene u smjeru kazaljke na satu.



Gornji krak mlaznice može se skinuti tako da se pritisne prema gore i okrene u smjeru suprotnom od smjera kazaljke na satu. Mlaznica se ponovno postavlja tako da se gurne prema gore i okrene u smjeru kazaljke na satu.

RJEŠAVANJE PROBLEMA

Ako vaša perilica posuđa ne radi ispravno, provjerite može li se problem riješiti prateći popis u nastavku. U slučaju pojave drugih grešaka ili problema obratite se ovlaštenom postprodajnom servisu čije podatke za kontakt možete pronaći u knjižici jamstva. Rezervni dijelovi bit će dostupni u razdoblju narednih 7 ili 10 godina, ovisno o posebnim zakonskim propisima.

PROBLEMI	MOGUĆI UZROCI	RJEŠENJA
Uključen je indikator za sol	Spremnik za sol gotovo je prazan.	Napunite spremnik za sol solju (za više informacija – pogledajte PUNJENJE SPREMNIKA ZA SOL). Provjerite postavku tvrdoće vode, prema potrebi – pogledajte TABLICA TVRDOĆE VODE.
Indikator za sol treperi	Spremnik za sol je prazan.	Spremnik čim prije napunite solju. Ako se uređaj upotrebljava bez soli, može doći do oštećenja njegovih unutarnjih sastavnih dijelova.
Indikator sredstva za ispiranje uključuje se ili treperi	Prazan je spremnik sredstva za ispiranje. (Nakon punjenja indikator sredstva za ispiranje kratko može ostati uključen).	Napunite spremnik sredstvom za ispiranje (za više informacija – pogledajte PUNJENJE DOZATORA SREDSTVA ZA ISPIRANJE).
Indikator za uklanjanje kamenca uključuje se ili treperi; prikazuje se alarm «dES».	Kamenac se nakuplja na unutarnjim sastavnim dijelovima uređaja.	Odmah uklonite kamenac s uređaj s pomoću programa Samočišćenje i proizvoda za uklanjanje kamenca dostupnog u prodaji (pogledajte OPCIJE I FUNKCIJE). Spremnik napunite solju. Provjerite postavku tvrdoće vode. Ako se ne ukloni kamenac iz uređaja, on će prestati s radom.
Perilica suđa se ne pokreće ili ne odgovara na komande.	Uređaj nije ispravno priključen.	Uključite utikač u električnu utičnicu.
	Nestanak struje.	Perilica posuđa iz sigurnosnih se razloga automatski ponovno ne pokreće kada se struja vrati. Otvorite vrata perilice posuđa, pritisnite gumb START/Pauza (Start/Pauza) i u roku od 4 sekunde zatvorite vrata.
	Vrata perilice suđa nisu zatvorena. Pin NaturalDry nije uvučen.	Vrata čvrsto zatvorite tako da začujete “klik”.
	Ciklus se prekida ako se vrata otvore na dulje od 4 sekunde.	Pritisnite Start/Pauza i zatvorite vrata uređaja u roku od 4 sekunde.
Perilica suđa ne ispušta vodu. Na zaslonu se prikazuje: F7 E3 ili F9 E1	Upravljačka ploča ne odgovara ili se prikazuje F6 E1	Uređaj isključite pritiskom na gumb UKLJ/ISKLJ/Ponovno pa ga nakon otprilike jedne minute ponovno uključite i ponovno pokrenite program. Ako se problem i dalje javlja, uređaj iskopčajte na 1 minutu, zatim ga ponovno ukopčajte.
	Filtar je začepljen ostacima hrane ili kamencem.	Očistite filtari i uklonite kamenac iz uređaja (pogledajte ČIŠĆENJE SKLOPA FILTRA i UPUTE ZA UKLANJANJE KAMENCA).
	Savijeno odvodno crijevo. Crijevo za pražnjenje izljeva je blokirano.	Provjerite odvodno crijevo (pogledajte UPUTE ZA POSTAVLJANJE). Očistite crijevo za pražnjenje izljeva.
Perilica suđa stvara preveliku buku.	Suđe se međusobno udara.	Pravilno postavite suđe (pogledajte PUNJENJE KOŠARA)
	Prisutna je prevelika količina pjene.	Deterdžent nije pravilno izmjeren ili nije prikladan za upotrebu u perilici suđa (pogledajte PUNJENJE SPREMNIKA ZA DETERDŽENT). Ponovno pokrenite trenutni ciklus isključivanje perilice posuđa i zatim njenim ponovnim uključivanjem, odaberite novi program, pritisnite Start/Pauza i zatvorite vrata u roku 4 sekunde. Nemojte dodavati deterdžent.
	Suđe nije ispravno složeno.	Pravilno složite suđe (pogledajte PUNJENJE KOŠARA).
	Filtar je začepljen ostacima hrane ili kamencem.	Očistite sklop filtra (pogledajte ČIŠĆENJE I ODRŽAVANJE).
Suđe nije čisto.	Suđe nije ispravno složeno.	Pravilno složite suđe (pogledajte PUNJENJE KOŠARA).
	Nosači mlaznica ne mogu se slobodno okretati jer ih ometa suđe.	Pravilno složite suđe (pogledajte PUNJENJE KOŠARA). Provjerite je li gornja košara u ispravnom položaju i prilagodite je (podignite), prema potrebi.
	Ciklus pranja je prenežan.	Odaberite odgovarajući ciklus pranja (pogledajte TABLICA PROGRAMA).
	Prisutna je prevelika količina pjene.	Deterdžent nije pravilno izmjeren ili nije prikladan za upotrebu u perilici suđa (pogledajte PUNJENJE SPREMNIKA ZA DETERDŽENT).
	Čep na spremniku sredstva za ispiranje nije pravilno zatvoren.	Provjerite je li čep spremnika za ispiranje zatvoren.
	Filtar je začepljen ostacima hrane ili kamencem. Spremnik za sol je prazan.	Očistite filtari i uklonite kamenac iz uređaja (pogledajte ČIŠĆENJE SKLOPA FILTRA). Napunite spremnik soli (pogledajte PUNJENJE SPREMNIKA ZA SOL).
Perilica posuđa ne puni se vodom. Na zaslonu se prikazuje: H2O i Ø uključuje se; oglašava se zvučni alarm.	Nema vode u dovodu vode ili je slavina zatvorena.	Provjerite ima li vode u dovodu vode i je li slavina otvorena.
	Dovodno crijevo je savijeno.	Provjerite dovodno crijevo (pogledajte INSTALACIJA). Otvorite vrata perilice posuđa, pritisnite gumb Start/Pauza i u roku od 4 sekunde zatvorite vrata.
	Sito u dovodnom crijevu je začepljeno; obavezno ga očistite.	Provjerite i očistite sito u dovodnom crijevu vode. Otvorite vrata perilice posuđa, pritisnite gumb Start/Pauza i u roku od 4 sekunde zatvorite vrata.

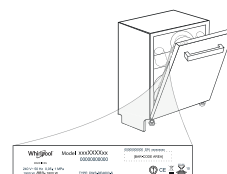
PROBLEMI	MOGUĆI UZROCI	RJEŠENJA
Perilica posuđa prerano završava ciklus. Na zaslonu se prikazuje: F8 E3	Filtar je začepljen ostacima hrane ili kamenjem.	Očistite filtar i uklonite kamenac iz uređaja (<i>pogledajte ČIŠĆENJE SKLOPA FILTRA i UPUTE ZA UKLANJANJE KAMENCA</i>).
	Odvodno je crijevo prenisko postavljeno ili se izljeva u kanalizaciju.	Provjerite je li kraj odvodnog crijeva postavljen na ispravnu visinu (<i>pogledajte INSTALACIJA</i>). Provjerite odvod u kućnu kanalizaciju, prema potrebi ugradite prekidač sifona/ventil za dovod zraka.
	Prisutna je prevelika količina pjene.	Deterdžent nije pravilno izmjeren ili nije prikladan za upotrebu u perilici suđa (<i>pogledajte PUNJENJE SPREMNIKA ZA DETERDŽENT</i>).
	Zrak u dovodu vode.	Provjerite da na dovodu vode nema curenja ili nekih drugih problema koji omogućuju ulaz zraka.
Posuđe nije dobro osušeno.	Nema sredstva za ispiranje ili je premala doza.	Provjerite je li napunjen spremnik sredstva za ispiranje (<i>pogledajte PUNJENJE DOZATORA SREDSTVA ZA ISPIRANJE</i>). Upotreba samo višenamjenskih tableta neće pružiti dobar učinak sušenja kao upotreba tekućeg sredstva za ispiranje.
	Posuđe je izvađeno nakon automatskog otvaranja vrata, ali prije stvarnog kraja ciklusa.	Provjerite da je ciklus završio prije vađenja posuđa (<i>pogledajte SVAKODNEVNA UPORABA</i>). Preporučuje se da za još bolje rezultate sušenja posuđe ostavite u perilici posuđa dodatnih 15 minuta nakon kraja ciklusa uz otvorena vrata.
	Posuđe je postavljeno previše vodoravno.	Ako primijetite nakupljenu vodu čašama, šalicama ili zdjelicama, pokušajte posuđe (posebice u gornjoj košari) postaviti tako da dobije veći nagib, a da bi se što više vode iscijedilo prije no što započne sam postupak sušenja.
	Odabrani ciklus nema fazu sušenja.	U <i>TABLICI PROGRAMA</i> provjerite ima li odabrani program fazu sušenja. Ciklus bez faze sušenja možda neće pružiti željenu razinu sušenja pa se preporučuje da se odabir ciklusa promijeni na onaj s fazom sušenja.
	Suđe je izrađeno od neprijanjajućeg materijala ili plastike.	Nekoliko kapi vode koja ostaje na ovom materijalu uobičajena je pojava.
Na posuđu i čašama ima plavih pruga ili plavičastih tragova.	Doza sredstva za ispiranje je prevelika.	Namjestite doziranje na nižu postavku.
Na suđu i čašama ima tragova kamenca ili bjeličastog sloja.	Spremnik za sol je prazan.	Spremnik čim prije napunite solju. Ako se uređaj upotrebljava bez soli, može doći do oštećenja njegovih unutarnjih sastavnih dijelova.
	Postavka tvrdoće vode je preniska.	Povećajte postavku (<i>pogledajte TABLICU TVRDOĆE VODE</i>).
	Čep na spremniku soli nije ispravno zatvoren.	Provjerite i zatvorite čep spremnika soli.
Spremnik sredstva za ispiranje prazan je ili doza sredstva za ispiranje nije dovoljna.	Napunite spremnik sredstvom za ispiranje i provjerite postavku doziranja (za više informacija – <i>pogledajte PUNJENJE DOZATORA SREDSTVA ZA ISPIRANJE</i>).	
Na perilici suđa prikazuje se F8 E5	Ventil je blokiran ili neispravan.	Zatvorite, ako je moguće, slavinu za dovod vode. Nemojte isključiti napajanje. Pozovite servis.



Pravila, standardne dokumente, naručivanje rezervnih dijelova i dodatne informacije o proizvodu možete pronaći tako:

- Upotrebom QR koda i posjetite naše web.mjesto docs.whirlpool.eu/docs
- Posjetite naše web.mjesto parts-selfservice.europeanappliances.com
- Možete i kontaktirati naš postprodajni servis (broj telefona potražite u knjižici jamstva). Kada se obraćate našem postprodajnom servisu navedite kodove navedene na identifikacijskoj pločici proizvoda.

Informacije o modelu mogu se dobiti pomoću QR koda koji se nalazi na oznaci energetske učinkovitosti. Na oznaci se nalazi i identifikacijska oznaka modela koji se može upotrijebiti za pregledavanje portala registra na <https://eprel.ec.europa.eu>





KÖSZÖNJÜK, HOGY A WHIRLPOOL TERMÉKÉT VÁLASZTOTTÁ!
Teljes körű támogatásért kérjük, regisztrálja termékét honlapunkon: www.whirlpool.eu/register

A készülék használata előtt olvassa el figyelmesen a Biztonsági és telepítési útmutatót. A termékről további információt a következő weboldalon talál: docs.whirlpool.eu/docs



A beszerelést követően ne felejtse el eltávolítani a mosogatógépből a szállításhoz használt védőelemeket.

KEZELŐPANEL

1. **BE-KI/Újraindítás** gomb és jelzőfény
2. **ELŐZŐ program** gomb
3. **KÖVETKEZŐ program** gomb
4. **KEDVENC program** gomb és jelzőfény
5. **Sótartály** üres jelzőfény
6. **Öblítőszer tartály** üres jelzőfény
7. **VÍZKÖMMENTESÍTÉS** jelzőfény
8. **Elzárt vízcsap** jelzőfény
9. **Kijelző**
10. **Programszám és hátralevő idő** jelzőfény
11. **Power Clean® opciógomb** és jelzőfény



12. **Fél töltet opciógomb** és jelzőfény/**Beállítások** - 3 másodperces lenyomás
13. **Extra Száraz opciógomb** és jelzőfény
14. **Késleltetés opciógomb** és jelzőfény
15. **INDÍTÁS/Szünet** gomb és jelzőfény

ELSŐ HASZNÁLAT

BEÁLLÍTÁSOK MENÜ

1. Kapcsolja be a készüléket a **BE-KI** (⏻) gombbal.
2. Tartsa lenyomva a **Beállítások** (⌚) (Fél töltet (⌚)) gombot 3 másodpercig, amíg hangjelzést nem hall, és a kijelzőn megjelenik a „**SET**” üzenet.
3. Egy másodperc múlva megjelenik az első rendelkezésre álló beállítás („**h**” betű).
4. Nyomja meg a **ELŐZŐ**/**KÖVETKEZŐ** gombot a rendelkezésre álló beállítások (lásd a lenti táblázatot) listájának végiggörgetéséhez, majd nyomja meg a **INDÍTÁS/Szünet** (▶) gombot a kiválasztott beállítás értékének megtekintéséhez és módosításához.
5. Nyomja meg a **ELŐZŐ**/**KÖVETKEZŐ** gombot az érték módosításához, majd nyomja meg a **INDÍTÁS/Szünet** (▶) gombot az új érték mentéséhez és a főmenübe történő visszatéréshez.
6. További beállítások módosításához ismételje meg a 4. és az 5. lépést.
7. Nyomja meg az **BE-KI** (⏻) gombot, vagy várjon 30 másodpercet a menüből történő kilépéshez.

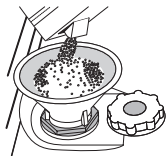
BETŰ	BEÁLLÍTÁSOK	ÉRTÉKEK (Alapértelmezett - félkövér)
h	Vízkeménység szintje (lásd „A VÍZKEMÉNYSEG BEÁLLÍTÁSA” és a „VÍZKEMÉNYSÉGI TÁBLÁZAT”)	1 2 3 4 5
R	Öblítő szintje (lásd: „A VÍZKEMÉNYSEG BEÁLLÍTÁSA”)	0 1 2 3 4 5
D	NaturalDry (lásd: „OPCIÓK ÉS FUNKCIÓK”) „1” = Be, „0” = Ki	1 0
S	Hang „1” = Be, „0” = Ki	1 0
i	Gyári beállítások Nyomja meg a INDÍTÁS/Szünet gombot a Beállítások menüben található beállítások értékének gyári alapértékre történő visszaállításához.	-

A SÓTARTÁLY FELTÖLTÉSE

Só használatával elkerülhető, hogy **VÍZKŐ** képződjön az edényeken és a gép funkcionális alkatrészein.

A sótartály a mosogatógép alsó részén található (a bal oldali alsó kosár alatt).

- Feltétlenül szükséges, hogy a **sótartály soha ne legyen üres.**
- Fontos, hogy a vízkeménység be legyen állítva.
- Ha a **SÓ UTÁNTÖLTÉSE** jelzőfény (⚡) világít a kezelőpanelen, só kell betölteni.



1. Vegye ki az alsó kosarat, és csavarja ki a tartály kupakját (az óramutató járásával ellentétes irányba).
2. Helyezze be a tölcserít (lásd az ábrát), és töltsse fel teljesen a sótartályt (ehhez kb. 0,5 kg só szükséges). Előfordulhat, hogy egy kevés víz kifolyik a rekeszből.
3. **Csak a legelső használatkor: töltsse fel vízzel a sótartályt!**

4. Vegye ki a tölcserít, és törölje le az esetlegesen kiszóródott sót a nyílás környékéről.

Zárja vissza szorosan a kupakot úgy, hogy a mosogatási program során ne kerülhessen mosogatószer a tartályba (ellenkező esetben a vízlágyító helyrehozhatatlanul károsodhat). **A korrózió megelőzése érdekében a só betöltését követően mindig futtasson egy programot.**

A vízkeménység beállítása

A vízlágyító akkor működik tökéletesen, ha a vízkeménységet a lakóhelyén elérhető víz tényleges keménysége alapján állítja be. Ezzel kapcsolatban érdeklődjön a helyi vízműveknél. A gyári beállítás a közepes „**3**” vízkeménység. Lásd „VÍZKEMÉNYSÉGI TÁBLÁZAT”.

Vízkeménységi táblázat

Szint	°dH Német rendszer	°fH Francia rendszer	°Clark Angol rendszer
1 (lágy)	0 - 6	0 - 10	0 - 7
2 (közepes)	7 - 11	11 - 20	8 - 14
3 (átlagos)	12 - 16	21 - 29	15 - 20
4 (kemény)	17 - 34	30 - 60	21 - 42
5 (nagyon kemény)	35 - 50	61 - 90	43 - 62

A módosításhoz kövesse a „BEÁLLÍTÁSOK MENÜ” részben leírt utasításokat.

Kizárólag mosogatógépekhez készült só használjon.

Miután sónt öntött a készülékbe, a „SÓ UTÁNTÖLTÉSE” jelzőfény kialszik.

Ha nem tölti fel a sótartályt, a vízlágyító és a fűtőelem a vízkő felhalmozódása miatt károsodhat.

Só használata bármilyen mosogatószer mellett ajánlott.

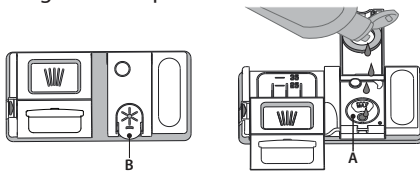
VÍZLÁGYÍTÓ RENDSZER

A vízlágyító rendszer automatikusan csökkenti a víz keménységét, így megelőzve a vízkő felhalmozódását a fűtőszálon, így jobb mosogatási hatékonyságot biztosítva. **A rendszer sóval regenerálja magát, ezért a só-tárolót kiürülés esetén fel kell tölteni.** A regenerálás gyakorisága a víz keménység szintjének beállításától függ - a regenerálás **4-6** Eco ciklusként történik meg **3-ra** állított víz keménység szinttel. A regenerációs folyamat a ciklus elején további friss víz hozzáadásával történik.

- Egyetlen regenerálás során a készülék: ~3 l vizet használ fel;
- A program 5 perccel tovább tart;
- Kevesebb, mint 0,005 kWh energiát használ fel.

AZ ÖBLÍTŐSZER-ADAGOLÓ FELTÖLTÉSE

Az öblítőszerrel könnyebben SZÁRADNAK az edények. Az öblítőszer adagolót **A** akkor kell feltölteni, ha az **ÖBLÍTŐSZER UTÁNTÖLTÉSE** jelzőfény (⚡) világít a kezelőpanelen.



1. Nyissa ki az adagolót **B** úgy, hogy a fedélen lévő fület lenyomja, majd felfelé húzza.
2. Óvatosan öntse be az öblítőszeret. Ne lépje túl a tartályban jelölt maximális mennyiséget (110 ml), és ne öntse ki a folyadékot.

Ha ez mégis megtörténik, azonnal törölje fel a kiömlött folyadékot egy száraz ruhával.

3. Csukja vissza a fedelet: ehhez nyomja le, amíg kattánás nem hallatszik.

SOHA ne öntse az öblítőszer közvetlenül a mosogatóterbe.

Az öblítőszer adagolása

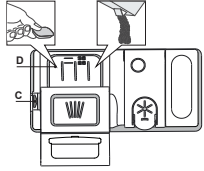
Ha nem elégedett a szárítási eredménnyel, módosítsa a használt öblítőszer mennyiségét.

Ha az öblítőszer szintjét 0-ra állítja, a készülék nem adagol öblítőszer. Az **ÖBLÍTŐSZER UTÁNTÖLTÉSE** jelzőfény nem fog kigyulladni, amikor kifogy az öblítőszer.

A mosogatógép típusától függően legfeljebb **6** szint állítható be.

- Ha kékes csíkok jelennek meg az edényeken, alacsony értéket állítson be (0-3).
- Ha vízcsapok vagy vízkő látható az edényeken, magas értéket állítson be (4-5).

A MOSOGATÓSZER-ADAGOLÓ FELTÖLTÉSE



A mosogatószer-adagoló nyitására használja az **C** eszközt. A mosogatószer kizárólag a száraz **D** adagolóba önthető. Az előmosogatáshoz használt mosogatószert közvetlenül a mosogatóterbe helyezze.

1. A mosogatószer kimérésekor a helyes mennyiség meghatározását az eddigi információk alapján végezze. A mosogatószer-adagoló **D** belsejében elhelyezett jelzések segítenek a megfelelő mennyiség meghatározásában.

2. Törölje le a kiömlött mosogatószert az adagoló széléről, majd zárja vissza a fedelet kattanásig.
3. Zárja vissza a mosogatószer-adagoló fedelét: húzza felfelé, amíg a zár szerkezet rögzül.

A mosogatószer-adagoló automatikusan kinyílik, amikor a program az adott szakaszba ér.

A nem mosogatógéphez készült mosogatószer használata a készülék hibás működését vagy sérülését okozhatja.

MINDENNAPI HASZNÁLAT

1. ELLENŐRIZZE A VÍZBEKÖTÉST

Ellenőrizze, hogy a mosogatógép rá van-e kötve a vízhálózatra, és hogy a csap nyitva van-e.

2. KAPCSOLJA BE A MOSOGATÓGÉPET

Nyissa ki az ajtót, és nyomja meg az **BE/KI** gombot.

3. A KOSARAK MEGTÖLTÉSE (lásd: A KOSARAK MEGTÖLTÉSE).

4. A MOSOGATÓSZER-ADAGOLÓ FELTÖLTÉSE

5. A PROGRAM KIVÁLASZTÁSA ÉS A CIKLUS BEÁLLÍTÁSA

Válassza ki az edények típusának és szennyezettségi fokának legmegfelelőbb programot (lásd **PROGRAMOK ISMERTETÉSE**) az ahhoz tartozó **ELŐZŐ/KÖVETKEZŐ** gombbal. Válassza ki a kívánt opciókat (lásd **OPCIÓK ÉS FUNKCIÓK**). Nem minden opció kompatibilis minden programmal.

6. INDÍTÁS

Indítsa el a mosogatósi programot: ehhez nyomja meg a **INDÍTÁS/Szünet** gombot (a LED világít), és 4 mp-en belül csukja be az ajtót. A program indulásakor egy sípolás hallatszik. Ha az ajtót nem csukja be 4 másodpercen belül, riasztás hallható. Ilyen esetben nyissa ki az ajtót, nyomja meg a **INDÍTÁS/Szünet** gombot, majd csukja vissza az ajtót 4 mp-en belül.

7. A MOSOGATÁSI CIKLUS VÉGE

A mosogatósi ciklus végén hangjelzés hallható, illetve a kijelzőn az **END (VÉGE)** üzenet jelenik meg. Nyissa ki az ajtót, és kapcsolja ki a készüléket az **BE/KI** gombbal.

Az égési sérülések elkerülése érdekében az edények kipakolása előtt várjon néhány percet. Vegye ki az edényeket. Először az alsó kosarat ürítse ki.

FOLYAMATBAN LÉVŐ PROGRAM MÓDOSÍTÁSA

Ha nem megfelelő programot választott, az közvetlenül az indulás után még módosítható. **Újraindítás** a készüléket: nyomja meg és tartassa lenyomva 3 mp-nél hosszabban az **BE/KI** gombot, ekkor a készülék kikapcsol. **A kijelzőn a „0:01” érték látható.** Csukja be az ajtót, és várjon, amíg a leeresztési ciklus véget ér (kb. 1 perc). Nyissa ki az ajtót, és kapcsolja vissza a készüléket az **BE/KI** gombbal, majd válassza ki az új mosogatósi programot és a kívánt opciókat. A program indításához nyomja meg a **INDÍTÁS/Szünet** gombot, és 4 mp-en belül csukja be az ajtót.

TOVÁBBI EDÉNYEK HOZZÁADÁSA

A készülék kikapcsolása nélkül nyissa ki az ajtót óvatosan, hogy ne folyhasson ki a víz (a **INDÍTÁS/Szünet** LED villogni kezd) (**Vigyázat! Forró gőz!**), majd helyezze be az edényeket a mosogatógépbe. Nyomja meg a **INDÍTÁS/Szünet** gombot, és 4 mp-en belül csukja be az ajtót: a program onnan folytatódik, ahol korábban megszakította azt.

VÉLETLEN MEGSZAKÍTÁS

Ha a mosogatósi program futása közben kinyitják az ajtót, vagy elmeleg az áram, a program leáll. **AMENNYIBEN MEGNYOMJA** a **INDÍTÁS/Szünet** gombot és 4 mp-en belül becsukja az ajtót, a program onnan folytatódik, ahol korábban megszakította azt.

TANÁCSOK ÉS TIPPEK

TANÁCSOK

A kosarak megtöltése előtt távolítsa el az ételmaradékokat az edényekről, és ürítse ki a poharakat. **Mosogatás előtt nem szükséges folyó vízzel leöblíteni az edényeket.**

Az edényeket úgy rendezze el, hogy biztosan álljanak, ne dőljenek el könnyen. Az edények nyílása lefelé nézzen, és a homorú/domború részek ferdén álljanak, hogy a víz mindenhol elérjen, és akadálytalanul folyhasson. **Vigyázat!** A fedők, fogantyúk, tálak és serpenyők nem állítják meg a forgó szűrőkarokat.

A kisebb tárgyakat az evőeszközoskarba helyezze. Az erősen szennyezett edényeket az alsó kosárba kell helyezni, mivel ott erősebb a vízpermet, azaz jobb a mosogatósi eredmény. A készülék megtöltése után ellenőrizze, hogy a szűrőkarok forgását nem akadályozza-e valami.

GÉPBE NEM MOSOGATHATÓ EDÉNYEK

- Fából készült edények és evőeszközök.
- Kényes, díszes poharak, kézműves és antik edények. Ezek a díszítések nem bírják a gépi mosogatót.
- Szintetikus anyagból készült részek, amelyek nem bírják a magas hőmérsékletet.
- Réz- és bádgedények.
- Hamuval, viasszal, kenőzsírral vagy tintával szennyezett edények.

A poharakon lévő díszítés és az alumínium- vagy ezüstedények színe megváltozhat, kifakulhat a mosogatósi során. Egyes üvegtípusok (pl. kristályüveg) néhány mosogatósi ciklus után homályossá válhatnak.

A POHARAK ÉS AZ EDÉNYEK KÁROSODÁSA

- A készülékbe kizárólag olyan üveg- és porcelánedények helyezhetők, amelyek a gyártó állítása szerint mosogatógépben mosogathatók.
- Az edényekhez megfelelő, kímélő mosogatószert használjon.
- Az edényeket és az evőeszközöket a mosogatósi ciklus végeztével azonnal vegye ki a mosogatógépbe.

A POHARAK ÉS AZ EDÉNYEK KÁROSODÁSA

- Ha a háztartási mosogatógépet a gyártó utasításainak megfelelően használják, **az edények mosogatógépben történő mosogatása általában KEVESEBB ENERGIÁT és vizet igényel, mint a kézi mosogatás.**
- A mosogatógép hatékonyságának maximalizálásához javasolt a **mosogatósi programot a mosogatógép teljes betöltése után indítani.** Ha a háztartási mosogatógépet a gyártó által jelzett kapacitásig tölti fel, azzal energiát és vizet takaríthat meg. Az edények helyes betöltésével kapcsolatos információt a **KOSARAK MEGRAKODÁSA** című fejezetben talál. Részleges betöltés esetén javasolt a megfelelő mosogatósi beállítást (Fél töltet / Zónamosogatás / Multizone) használni, ha lehetséges, csak a kijelölt kosarakat használva. A mosogatógép helytelen betöltése vagy túltöltése fokozhatja az erőforrások (például víz, energia és idő) felhasználását, megnövelheti a zajszintet, és csökkentheti a mosogatósi és szárítási teljesítményt.
- Az edények manuális előöblítése megnövekedett víz- és energiafogyasztást eredményezhet, és nem javasolt.

HIGIÉNYA

A mosogatógépben keletkező kellemetlen szag és lerakódások elkerülése érdekében legalább havonta egyszer futtasson le egy magas hőmérsékletű programot. Használjon egy teáskanál mosogatószert, és a készülék tisztításához futtassa le a programot edények nélkül.

FAGYTÜRÉS

Ha a készüléket fagynak kitett helyen tárolják, **teljesen le kell ereszténi.** Zárja el a vízcapot, vegye le a be- és kimeneti tömlőket, és engedje le teljesen a vizet. **Ellenőrizze, hogy a sótartályban lévő vízlágyító biztosan tele van-e oldott regenerációsóval:** így védhető meg a készülék a -20 °C-nál hidegebb hőmérséklettel. Ha a készüléket fagyos körülmények között tárolták, az első indítás előtt **legalább 24 órára** min. 5 °C-os környezeti hőmérsékletre kell helyezni.

PROGRAMTÁBLÁZAT

Program	A programok bemutatása	Szárítási fázis	NaturalDry	Választható beállítások *)	A mosogatási program időtartama (óra:perc)**	Vízfogyasztás (liter/ciklus)	Energiafogyasztás (kWh/ciklus)
P1 Eco	Öko 50° - Az energiatakarékos programmal átlagosan szennyezett edényeket tisztíthat, amely a kombinált energia- és vízfogyasztása miatt a leghatékonyabb program, és a segítségével kiértékelhető, hogy a készülék megfelel-e az EU energiatakarékos kivitelre vonatkozó jogszabályának.	✓	✓		3:30	9,5	0,76
P2	Auto Intenzív 65° - Erősen szennyezett edények és serpenyők mosogatásához.	✓	✓		2:25-3:10	15,5-24,5	1,30-1,70
P3	Auto Vegyes 55° - Automatikus program normál szennyezettségű edényekhez, melyeken rászáradt ételmaradék található.	✓	✓		1:20-3:00	7,5-19,5	0,75-1,20
P4	Auto Gyors 50° - Automatikus program normál és enyhe szennyezettségű edényekhez. Mindennap használható program, amely rövidebb idő alatt is optimális mosogatási és szárítási eredményt nyújt.	✓	✓		1:00-1:50	7,5-15,5	0,70-1,10
P5	Gyors 45° - Ez a program olyan kevés és enyhén szennyezett edényekhez használható, amelyek nem található rászáradt étel. Nem tartalmaz szárítási szakaszt.	-	✓		0:30-0:40	10,0-12,0	0,55-0,65
P6	Üveg 45° - Program az olyan kényes edényekhez, melyek az átlagnál érzékenyebbek a magas hőmérsékletre.	✓	✓		1:40-1:50	12,5-16,5	0,95-1,20
P7	Halk 55° - Ha a készüléket éjszaka kívánja működtetni, ez a megfelelő program. Az optimális teljesítmény garantált.	✓	✓		3:50-4:10	10,5-14,5	0,80-1,15
P8	Fertőtlenítő 65° - Normál vagy erősen szennyezett edényekhez használható program, amely egy kiegészítő antibakteriális mosogatót is tartalmaz.	✓	-		1:55-2:10	12,0-19,0	1,40-1,80
P9	Előmosogatás - Ezt a programot olyan edényekhez használhatja, amelyeket később szeretne elmosogatni. Ehhez a programhoz nem kell mosogatószert használni.	-	✓		0:12	4,5	0,10
P10	Öntisztítás 65° - A mosogatógép karbantartására szolgáló programot csak akkor alkalmazza, ha a mosogatógép ÜRES, valamint használjon a mosogatógép karbantartására alkalmas, speciális tisztítószert.	-	-		1:15	11,0	1,10

Az ÖKO program adatainak mérése laboratóriumi körülmények között, az EN 60436:2020 európai szabvány előírásainak megfelelően történt. Megjegyzés a vizsgálat laboratóriumok számára: az EN összehasonlító vizsgálatainak körülményeivel kapcsolatos információkért írjon a következő címre: dw_test_support@whirlpool.com.

Az edények előkezelése egyik programnál sem szükséges.

*) Nem minden opció használható egyszerre.

**) Az energiatakarékos programtól eltérő programokhoz megadott értékek csak tájékoztató jellegűek. A tényleges időtartam számos tényezőtől függ, mint például a belépő víz hőmérsékletétől és nyomásától, a helyiség hőmérsékletétől, a mosogatószert mennyiségétől, az edények mennyiségétől és típusától, a súlyelosztástól, a kiválasztott kiegészítő funkcióktól és az érzékelő kalibrációjától. Az érzékelő kalibrációja akár 20 perccel is növelheti a program hosszát.

OPCIÓK ÉS FUNKCIÓK

Az OPCÍÓK a program kiválasztása után kiválaszthatók/törölhetők a megfelelő gomb megnyomásával (ha van – kigyullad a jelzőfény) (lásd KEZELŐPANEL). Ha valamely opció nem kompatibilis a kiválasztott programmal (lásd: PROGRAMOK TÁBLÁZATA), a megfelelő LED háromszög gyorsan felvillan, és sípoló hangjelzések hallhatók. Az opció nem aktív. Az opciók a program időtartamának, illetve víz- és energiafogyasztásának módosítására szolgálnak.

POWER CLEAN® - Mivel ez a program további szórófejeket is aktivál, a mosogatás az alsó kosár egy bizonyos területén jóval erőteljesebb. Ez az opció lábasok és tálak mosogatásához ajánlott (Lásd a Power Clean® betöltése részt).

FÉL TÖLTET - Ha nincs sok mosogatnivaló, akkor a víz, az áram és a mosogatószert megtakarítása érdekében használja a FÉL TÖLTET opciót.

Ne feledje, hogy ilyenkor csökkentett mennyiségű mosogatószert kell használni.

EXTRA SZÁRAZ - Ha az utolsó öblítés magasabb hőmérsékleten történik és a szárítás hosszabb ideig tart, azzal növelhető a szárítás hatékonysága. Az EXTRA SZÁRAZ opció kiválasztásakor nő a mosogatási ciklus hossza.

KÉSLELTETÉS - A program indítását 30 perctől 24 óráig terjedő időtartamig késleltetheti.

1. Válassza ki a programot és a tetszőleges opciókat. A program indításának késleltetéséhez nyomja meg (többször) a KÉSLELTETÉS gombot. 30 perc és 24 óra közötti időtartam állítható be. Amikor a 24 órás időtartamot eléri, nyomja meg még egyszer a KÉSLELTETÉS gombot a KÉSLELTETÉS funkció kikapcsolásához.

2. Nyomja meg a INDÍTÁS/Szünet gombot, és zárja be az ajtót 4 másodpercen belül. Az időzítő elkezd a visszaszámlálást.

3. A beállított idő leteltkor kialszik a jelzőfény, és automatikusan elindul a program. **KÉSLELTETÉS funkció nem állítható be, ha a program már fut.**

ÉRZÉKELÉS - Miközben az érzékelő a szennyezettség fokát méri, animáció látható a kijelzőn (kb. 20 percig), és a program időtartama frissül. Az érzékelő funkció az edények szennyezettségi mértékének meghatározására szolgál, és minden programnál használható (az Öko kivételével): a szükséges mértékben módosítja a programot.

A VÍZCSAP ZÁRVA VAN - A figyelmeztetés villog, ha nincs belépő víz, vagy el van zárva a vízcsap.

NaturalDry - Olyan konvekciós szárítórendszer, amely automatikusan kinyitja az ajtót a szárítási fázis közben/után a folyamatos, kiemelkedően jó szárítási eredmény érdekében. Az ajtó csak olyan hőmérsékleten nyílik ki, amely nem károsítja a konyhaszekrényeket.

A gőz ellen további védelmet nyújt a mosogatógéphez mellékelte, külön erre a célra tervezett védőfólia.

A védőfólia felhelyezésének lépéseit az ÜZEMBE HELYEZÉSI ÚTMUTATÓBAN találja.

Ez a funkció alapértelmezés szerint aktív, de a „BEÁLLÍTÁSOK MENÜ” ki lehet kapcsolni.

VÍZKÖMENTESÍTÉS - Riasztás - A készülék belső alkatrészein vízkölerakódás érzékelhető. **Ellenőrizze**, hogy a vízkeménység beállítása megfelelő értékű-e, és hogy a só tartályban van-e **só** (lásd ELSŐ HASZNÁLAT), majd használja a **vízkezelő terméket** (a WPro márka javasolt) **Öntisztítás programmal**. Sikeres vízkömentesítés után az ikon eltűnik.

Ha nem hajtja végre a fenti műveleteket, a készülék teljesítménye csökkenni fog. A kijelzőn villogni kezd a **Vízkömentesítés** figyelmeztetés, és megjelenik a «DES» riasztás. Ha továbbra sem végzi el a vízkömentesítést, a készülék csak bizonyos számú ciklus indítását fogja engedélyezni (a «DES» riasztással együtt jelenik meg), majd **BLOKKOLVA** lesz az alkatrészek sérülésének megelőzése érdekében, és csak az **Öntisztítás program lesz használható**. A teljes vízkömentesítés végrehajtásával feloldja a készülék blokkolását. Ha rendkívül nagy mennyiségű vízkö rakódott le, előfordulhat, hogy a vízkömentesítést kétszer kell végrehajtani a megfelelő hatékonyság érdekében.

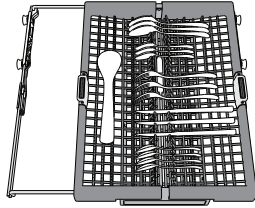
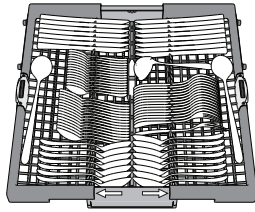
KEDVENC PROGRAM - A kedvenc program menthető és egyszerűen elérhető. Keresse meg a programot a ELŐZŐ/KÖVETKEZŐ gombbal, majd 3 másodpercig tartsa nyomva a KEDVENC PROGRAM gombot.

EVŐESZKÖZTARTÓ

A harmadik kosár az evőeszközök bepakolására szolgál. Az evőeszközöket az ábrán látható módon helyezze el. A külön gyűjtött evőeszközök a mosogatás után könnyebben kivehetők, valamint így a mosogatási és szárítási eredmény is javul.

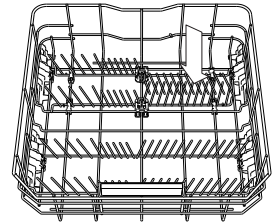
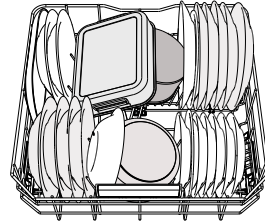
A késeket és egyéb éles eszközöket élükkel lefelé rakja a kosárba. A kosarat mindig az alsó kosár elejére helyezze.

Az evőeszközkosárban található két állítható magasságú rekesz, melyek segítségével kihasználható a rendelkezésre álló alsó tér, és magasabb edények helyezhetők a felső kosárba.

**ALSÓ KOSÁR**

Ide fazekak, fedők, tányérok, salátástálak, evőeszközök stb. pakolhatók. A nagyobb tányérokat és fedőket lehetőség szerint a kosár szélére helyezze, hogy biztosan ne érjenek a szórókarokhoz.

Az alsó kosár lehajtható tartóelemekkel rendelkezik: függőleges helyzetbe állítva tányérokat, vízszintes (leengedett) helyzetbe állítva pedig tálakat, lábasokat pakolhat be egyszerűen.



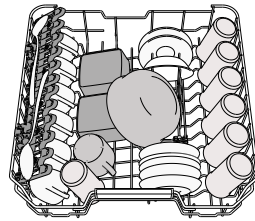
(példa a megtöltött alsó kosárra)

FELSŐ KOSÁR

Ide helyezhetők a kényesebb és könnyű edények, például poharak, csészék, tálkák, kis salátástálak.

A felső kosár lehajtható tartóelemekkel rendelkezik: függőleges helyzetbe állítva csészealjkat, kistányérokat, leengedett helyzetbe állítva pedig tálakat, ételtartókat pakolhat be.

(példa a megtöltött felső kosárra)

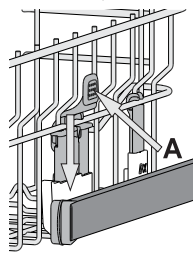
**A felső kosár magasságának beállítása**

A felső kosár magassága állítható. Ha a felső állásba állítja, az alsó kosárba nagyobb edények helyezhetők; ha az alsó állásba állítja, maximálisan kihasználható a lehajtható rögzítőelemek: függőlegesen több hely áll rendelkezésre, és az alsó kosárba pakolt edényeknek is elegendő hely jut.

A **felső kosár magasságbeállítóval** rendelkezik (lásd az ábrát). Magasabbra állításához fogja meg a kosár két oldalát, és az emelőkarok megnyomása nélkül emelje azt feljebb. A kosár a felső helyzetbe áll. Az alsó helyzetbe állításához nyomja meg a kosár két oldalán lévő emelőkarokat A, és tolja lefelé a kosarat.

Kifejezetten javasoljuk, hogy ne módosítsa a kosár magasságát akkor, amikor a kosárban edények találhatók.

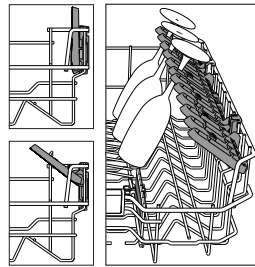
A kosár lejjebb vagy feljebb helyezésekor SOHA ne csak az egyik oldal magasságát módosítsa.

**Állítható magasságú lehajtható polcok**

A kosárban lévő edények optimális elrendezése érdekében az oldalsó polcok fel- és lehajthatók. A borospoharak biztonságosan helyezhetők a lehajtható polcokra: a poharak talpát illessze a megfelelő nyílásokba.

Készüléktípustól függően:

- a polcok lehajtatásához csúsztassa azokat fel és forgassa el, vagy vegye ki a rögzítőkből és húzza lefelé.
- a polcok felhajtatásához forgassa azokat el és csúsztassa lefelé, vagy húzza felfelé és rögzítse.

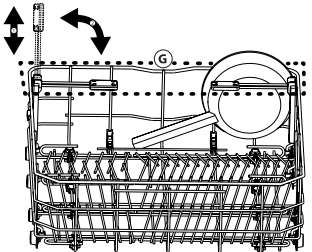
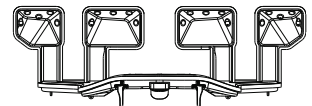
**POWER CLEAN®**

A Power Clean® során a készülék a mosogatótér hátsó része felől érkező vízugarak segítségével intenzívebben mossa el az erősen szennyezett edényeket. Az alsó kosárban található egy ún nagyterű zóna (Power Clean® támogatás). Ez a speciális, kihúzható tartóelem a kosár hátsó részén található, és lehetővé teszi a serpenyők és tepsik függőleges helyzetben történő elhelyezését, amivel hely takarítható meg.

Helyezze be a gépbe a fazekakat/tálakat úgy, hogy a Power Clean® berendezés felé nézzenek, majd kapcsolja be a kezelőpanelen a **POWER CLEAN®** opciót.

A Power Clean® funkció használata:

1. Készítse elő a Power Clean® területet (G): hajtsa le a hátsó tányértartókat, hogy beférjenek az edények.
2. Tegye be a fazekakat és a tálakat úgy, hogy a Power Clean® terület felé dőljenek. A fazekakat a nagynyomású vízugarak felé kell megdönteni.

**ÁPOLÁS ÉS KARBANTARTÁS****A SZŰRŐEGYSÉG TISZTÍTÁSA**

Rendszeresen tisztítsa ki a szűrőegységet, így megelőzhető a szűrők eltömődése, és a víz szabadon tud távozni.

Ha a mosogatógép használata során a szűrők el vannak tömődve, illetve ha a szűrőrendszerben vagy a szórókarokban tárgyak vannak, az a berendezés nem megfelelő működését okozhatja, ami a teljesítmény csökkenését, zajos működést vagy nagyobb erőforrás-felhasználást eredményezhet.

A szűrőegység három szűrőből áll, amelyek eltávolítják az ételmaradékokat a mosogatóvízből, majd visszaforgatják a vizet.

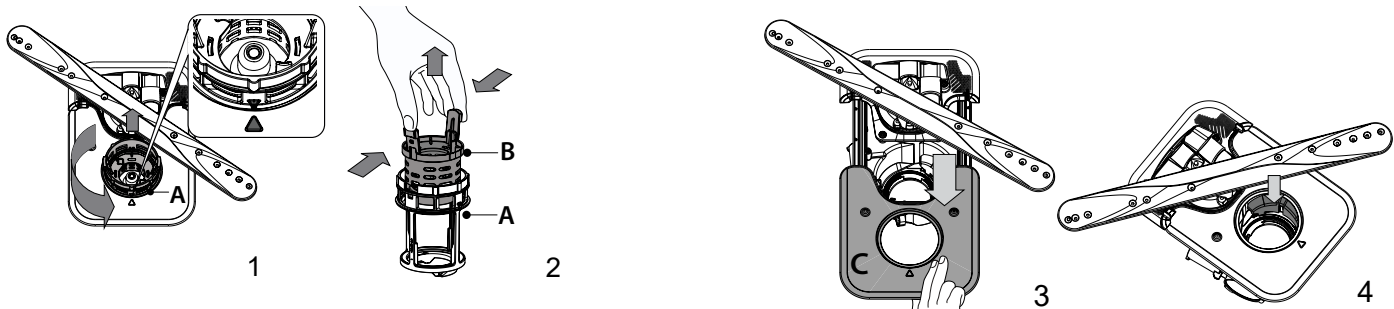
A mosogatógép nem használható szűrők nélkül vagy meglazult szűrővel.

Havonta legalább egyszer vagy 30 programonként ellenőrizze a szűrőegységet, és szükség esetén tisztítsa meg alaposan folyó víz alatt, nemfémes kefével, az alábbi utasításoknak megfelelően:

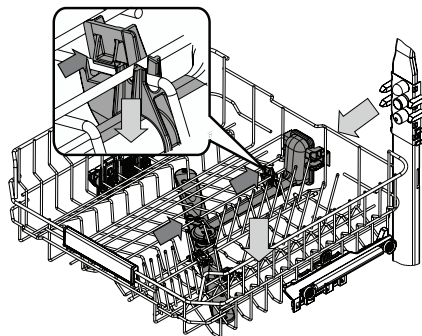
1. Forgassa a henger alakú szűrőt A az óramutató járásával ellentétes irányba, majd húzza ki (1. ábra). **A szűrő visszahelyezésekor fontos, hogy a képen lévő két háromszög pontosan illeszkedjen.**

2. Vegye ki a kehely alakú szűrőt B úgy, hogy enyhén megnyomja az oldalsó füleket (2. ábra).
3. Csúsztassa ki a rozsdamentes acéلبól készült szűrőlemezt C (3. ábra).
4. Ha idegen tárgyat (például törött üveget, porcelánt, csontot, gyümölcsmagot stb.) talál, **óvatosan távolítsa el azt.**
5. Ellenőrizze a szűrőrészt, és távolítsa el az ételmaradékokat. **SOHA NE TÁVOLÍTSA EL** a mosogatóciklust végző pumpa védőfedelét (nyíl jelzi) (4. ábra)!

A szűrők tisztítása után helyezze vissza a szűrőegységet, és rögzítse megfelelően a helyére. Ez elengedhetetlen a mosogatógép hatékony működéséhez.

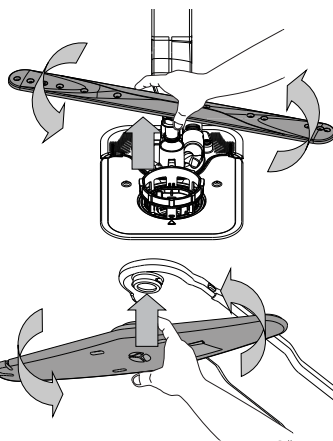


A SZÓRÓKAROK TISZTÍTÁSA



Időnként ételmaradék száradhat a szórókarokra, és eltömítheti a víz permetezésére szolgáló nyílásokat. Ezért javasoljuk, hogy rendszeresen ellenőrizze a szórókarokat, és tisztítsa meg azokat egy kisméretű, nemfémes kefével.

A felső szórókar az elosztóval együtt vehető le.




Az alsó szórókart felfelé húzva és az óramutató járásával ellentétes irányba elforgatva lehet kivenni a helyéről. A szórókart lefelé húzva és az óramutató járásával megegyező irányba elforgatva lehet visszaszerelni.

A felső szórókart felfelé nyomva és az óramutató járásával ellentétes irányba elforgatva lehet kivenni a helyéről. A szórókart felfelé húzva és az óramutató járásával megegyező irányba elforgatva lehet visszaszerelni.

HIBAEELHÁRÍTÁS

Ha a mosogatógép nem megfelelően működik, ellenőrizze, hogy a probléma javítható-e az alábbi lista lépéseinek végrehajtásával. Más hibák vagy problémák esetében lépjen kapcsolatba a hivatalos vevőszolgálattal, amelynek kapcsolattartási adatai a garanciafüzetben találhatóak. A pótalkatrészek akár 7, akár 10 évig is rendelkezésre állnak, az adott rendelet követelményeinek megfelelően.

HIBA	LEHETSÉGES OK	MEGOLDÁS
A sómennyiségre figyelmeztető jelzőfény világít.	A sótartály hamarosan kiürül.	Töltse fel a tartályt sóval (további információ: lásd A SÓTARTÁLY FELTÖLTÉSE). Szükség esetén ellenőrizze a beállított vízkeménységet (lásd VÍZKEMÉNYSÉGI TÁBLÁZAT).
A sómennyiségre figyelmeztető jelzőfény villog.	A sótartály üres.	Minél hamarabb töltse fel a tartályt sóval. A készülék só nélkül történő használata károsíthatja annak belső alkatrészeit.
Az öblítőszer mennyiségére figyelmeztető jelzőfény világít vagy villog.	Az öblítőszer-adagoló üres. (Előfordulhat, hogy az öblítőszer mennyiségére figyelmeztető jelzőfény feltöltés után is világít egy rövid ideig).	Töltse fel a tartályt öblítőszerrel (további információ: - lásd AZ ÖBLÍTŐSZER-ADAGOLÓ FELTÖLTÉSE).
A vízkömentesítésre figyelmeztető jelzőfény világít vagy villog; a „dES” figyelmeztetés látható a kijelzőn.	A készülék belső alkatrészei vízkövesednek.	Azonnal vízkömentesítse a készüléket az Öntisztítás programmal és a kereskedelmi forgalomban kapható vízkömentesítő szerrel (lásd OPCIOK ÉS FUNKCIÓK). Töltse fel a tartályt sóval. Ellenőrizze a vízkeménységre vonatkozó beállítást. Ha nem végez vízkömentesítést, a készülék le fog állni.
A mosogatógép nem indul vagy nem reagál a parancsokra.	Nem megfelelően csatlakoztatta a készüléket.	Csatlakoztassa a dugót a hálózati aljzatba.
	Áramkimaradás.	Biztonsági okokból a mosogatógép nem indul újra automatikusan az áramellátás helyreállása-kor. Nyissa ki a mosogatógép ajtaját, nyomja meg a INDÍTÁS/Szünet gombot, majd 4 másodpercen belül csukja be az ajtót.
	Nincs bezárva a mosogatógép ajtaja. Nincs bepattintva az NaturalDry fül.	Erőteljesen nyomja be az ajtót, amíg kattantást nem hall.
	A program megszakadt, mivel az ajtót 4 mp-nél hosszabban nyitva tartották.	Nyomja meg a INDÍTÁS/Szünet gombot, és csukja be az ajtót 4 mp-en belül.
A mosogatógép nem eresztí le a vizet. A kijelzőn látható érték: F7 E3 vagy F9 E1	Nem működik a kezelőpanel, vagy az F6 E1 érték látható a kijelzőn.	Kapcsolja ki a készüléket a BE-KI/Újraindítás gombbal, majd kb. 1 perc elteltével kapcsolja vissza, és indítsa újra a programot. Ha a probléma továbbra is fennáll, válassza le a készüléket a hálózatról 1 percre, majd csatlakoztassa újra.
	Az ételmaradék vagy vízkő eltömítette a szűrőt.	Tisztítsa ki a szűrőt, és vízkömentesítse a készüléket (lásd A SZÜRŐEGYSÉG TISZTÍTÁSA és VÍZKÖMENTESÍTÉSI ÚTMUTATÓ).
	Meghajlott a leeresztő tömlő.	Ellenőrizze a leeresztőtömlőt (lásd BESZERELÉSI ÚTMUTATÓ).
A mosogatógép túl hangosan működik.	Eltömődött a mosogató lefolyócsöve.	Tisztítsa meg a mosogató lefolyócsövét.
	Az edények egymáshoz ütődnek.	Megfelelően helyezze be az edényeket (lásd A KOSARAK MEGTÖLTÉSE).
	Túl sok hab képződött.	Nem megfelelően mérte ki a mosogatószert, vagy az nem használható mosogatógépben (lásd A MOSOGATÓSZER-ADAGOLÓ FELTÖLTÉSE). Indítsa el újra az aktuális programot az BE-KI gombbal, majd kapcsolja be ismét a készüléket, válasszon egy új programot, nyomja meg a INDÍTÁS/Szünet gombot, és csukja be az ajtót 4 másodpercen belül. Ne töltsön bele mosogatószert.
	Nem megfelelően rendezte el az edényeket.	Rendezze el megfelelően az edényeket (lásd A KOSARAK MEGTÖLTÉSE).
Az ételmaradék vagy vízkő eltömítette a szűrőt.	Tisztítsa ki a szűrőegységet (lásd ÁPOLÁS ÉS KARBANTARTÁS).	

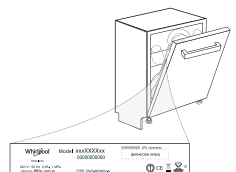
HIBA	LEHETSÉGES OK	MEGOLDÁS
Az edények nem tiszták.	Nem megfelelően rendezte el az edényeket.	Rendezze el megfelelően az edényeket (lásd A KOSARAK MEGTÖLTÉSE).
	A szűrőkarok nem forognak szabadon, mivel az edények útban vannak.	Rendezze el megfelelően az edényeket (lásd A KOSARAK MEGTÖLTÉSE). Ellenőrizze, hogy megfelelő-e a felső kosár helyzete, és szükség esetén igazítsa meg (emelje meg).
	A mosogatási ciklus túlzottan kímélő.	Válasszon megfelelő mosogatási programot (lásd PROGRAMTÁBLÁZAT).
	Túl sok hab képződött.	Nem megfelelően mérte ki a mosogatószert, vagy az nem használható mosogatógépben (lásd A MOSOGATÓSZER-ADAGOLÓ FELTÖLTÉSE).
	Nem megfelelően zárta vissza az öblítőszer rekeszének fedelét.	Zárja vissza az öblítőszer-adagoló kupakját.
	Az ételmaradék vagy vízkő eltömítette a szűrőt.	Tisztítsa ki a szűrőt, és vízkőmentesítse a készüléket (lásd A SZÜRŐEGYSÉG TISZTÍTÁSA).
A készülék nem vesz fel vizet. A kijelzőn látható érték: világitó H2O  ; hangjelzés hallatszik.	A sótartály üres.	Töltse fel a tartályt (lásd A SÓTARTÁLY FELTÖLTÉSE).
	Nem jön víz a vízvezetékéből, vagy el van zárva a vízcsap.	Ellenőrizze, hogy jön-e víz a vízvezetékéből, és a vízcsap nyitva van-e.
	Meghajlott a vízbevezető tömlő.	Ellenőrizze a vízbevezető tömlőt (lásd BESZERELÉS). Nyissa ki a mosogatógép ajtaját, nyomja meg a INDÍTÁS/Szünet gombot, majd 4 másodpercen belül csukja be az ajtót.
A mosogatógép túl hamar fejezi be a programot. A kijelzőn látható érték: F8 E3	Eltömődött a vízbevezető tömlőben lévő szűrő. Ki kell tisztítani.	Ellenőrizze és tisztítsa ki a vízbevezető tömlőben lévő szűrőt. Nyissa ki a mosogatógép ajtaját, nyomja meg a INDÍTÁS/Szünet gombot, majd 4 másodpercen belül csukja be az ajtót.
	Az ételmaradék vagy vízkő eltömítette a szűrőt.	Tisztítsa ki a szűrőt, és vízkőmentesítse a készüléket (lásd A SZÜRŐEGYSÉG TISZTÍTÁSA és VÍZKŐ-MENTESÍTÉSI ÚTMUTATÓ).
	A leeresztőtömlő túl alacsonyan van, vagy a háztartási szennyvízrendszerbe ereszti a vizet.	Ellenőrizze, hogy a leeresztőtömlő vége megfelelő magasságban van-e (lásd BESZERELÉS). Ellenőrizze, hogy a rendszer a háztartási szennyvízrendszerbe ereszti-e a vizet, és szükség esetén szereljen be visszacsapó/légbeszívó szelepet.
	Túl sok hab képződött.	Nem megfelelően mérte ki a mosogatószert, vagy az nem használható mosogatógépben (lásd A MOSOGATÓSZER-ADAGOLÓ FELTÖLTÉSE).
Az edények nem kellően szárazak.	Levegő van a vízvezetékben.	Ellenőrizze a tömlőt és a tömítéseket, hogy nem szivárognak-e valahol.
	Elfogyott vagy nem elegendő az öblítőszer.	Ellenőrizze, hogy fel van-e töltve az öblítőszer-adagoló (lásd AZ ÖBLÍTŐSZER-ADAGOLÓ FELTÖLTÉSE). A többfunkciós tabletták önmagukban nem biztosítanak olyan jó szárítási eredményt, mint a folyékony öblítőszer.
	Az edényeket az ajtó automatikus nyitása után kipakolták, de ekkor még nem fejeződött be a folyamatban lévő program.	Az edények kipakolása előtt ellenőrizze, hogy befejeződött-e a program (lásd MINDENNAPI HASZNÁLAT). A még jobb szárítási eredményért javasoljuk, hogy hagyja nyitva a mosogatógép ajtaját, és hagyja a készülékben az edényeket a program lejártától számított 15 percig.
	Túl egyenesen behelyezett edények.	Ha víz van a bögrék, poharak, tálak mélyedéseiben, próbálja megdöntve behelyezni az edényeket (különösen a felső rekesz esetén), így több víz le tud csöpögni a szárítás előtt.
	A kiválasztott programban nincs szárítási szakasz.	Ellenőrizze a PROGRAMTÁBLÁZATBAN, hogy a választott program tartalmaz-e szárítási szakaszt. Előfordulhat, hogy a szárítási szakasz nélküli programok nem a kívánt szárítási eredményt nyújtják, ezért javasolt szárítási szakasszal rendelkező programot választani.
Az edényeken és a poharakon kék csíkok vagy kékes elszíneződés látható.	Az edények tapadásmentes anyagból vagy műanyagból készültek.	Normális jelenség, ha az ilyen anyagokon vízcseppek láthatók.
	A készülék túl sok öblítőszer adagol.	Állítsa alacsonyabb fokozatra az adagolást.
Az edényeken és a poharakon vízke vagy fehér réteg látható.	A sótartály üres.	Minél hamarabb töltse fel a tartályt sóval. A készülék só nélkül történő használata károsíthatja annak belső alkatrészeit.
	Túl alacsony szintre van állítva a vízkeménység.	Állítson be magasabb szintet (lásd VÍZKEMÉNYSÉGI TÁBLÁZAT).
	A sótartály kupakja nem megfelelően lett vízszázárva.	Ellenőrizze és zárja vissza a sótartály kupakját.
A mosogatógép kijelzőjén az F8 E5 érték látható	Az öblítőtartály üres, vagy a készülék nem elegendő öblítőszer adagol.	Töltse fel a tartályt öblítőszerrel, és ellenőrizze az adagolási beállítást (további információ: lásd AZ ÖBLÍTŐSZER-ADAGOLÓ FELTÖLTÉSE).
	Eltömődött vagy hibás szelep.	Ha lehetséges, zárja el a vízcsapot. Ne szüntesse meg a tápellátást. Hívja a vevőszolgálatot.



A szabályzatok, a szabványos dokumentáció, a tartalékalkatrészek rendelése és a termékkel kapcsolatos további információk az alábbi elérhetőségeken találhatók:

- A QR-kód segítségével és látogasson el a: docs.whirlpool.eu/docs
- Látogasson el a: parts-selfservice.europeanappliances.com
- Vagy vegye fel a **kapcsolatot a vevőszolgálattal** (a telefonszámot lásd a garanciafüzetben). Amennyiben a vevőszolgálathoz fordul, kérjük, adja meg a termék adattábláján feltüntetett kódokat.

A modell adataihoz olvassa be az energiafogyasztást jelölő címkén található QR-kódot. A címkén található modellazonosító segítségével használható a regisztrációs portál <https://eprel.ec.europa.eu>.





GRAZIE PER AVER ACQUISTATO UN PRODOTTO WHIRLPOOL.
Per ricevere assistenza in modo più completo, registrare il proprio apparecchio sul sito: www.whirlpool.eu/register

Prima di utilizzare l'apparecchio, legga attentamente le Istruzioni di sicurezza e di installazione. Maggiori informazioni sul prodotto disponibili sul sito web: docs.whirlpool.eu/docs

⚠ Dopo l'installazione, ricordarsi di rimuovere tutte le parti di protezione per il trasporto dalla lavastoviglie.

PANNELLO DI CONTROLLO

1. Tasto **ACCENSIONE/SPEGNIMENTO/Ripristino** con relativa spia
2. Tasto **programma PRECEDENTE**
3. Tasto **programma SUCCESSIVO**
4. Tasto **programma PREFERITO** con relativa spia
5. Spia serbatoio **Sale vuoto**
6. Spia serbatoio **Brillantante Vuoto**
7. Spia **DECALCIFICAZIONE**
8. Spia **Rubinetto Acqua Chiuso**
9. **Display**
10. **Numero di programma** e indicatore di **durata residua**
11. Tasto **opzione Power Clean®** con relativa spia



12. Tasto **opzione di Mezzo Carico** con relativa spia / **Impostazioni** - pressione di 3 sec.
13. Tasto **opzione Extra Asciutto** con relativa spia
14. Tasto **opzione Avvio Ritardato** con relativa spia
15. Tasto **AVVIO/Pausa** con relativa spia

PRIMO UTILIZZO

MENU IMPOSTAZIONI

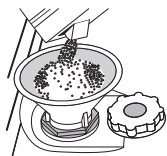
1. Azionare l'apparecchio premendo il tasto **ACCENSIONE/SPEGNIMENTO**
2. Tenere premuto il tasto **Impostazioni** (Mezzo Carico) per 3 secondi, finché non si udirà un bip e il display visualizzerà **"SET"** (Impostato).
3. Dopo un secondo, verrà visualizzata la prima impostazione disponibile (lettera **"h"**).
4. Premere **PRECEDENTE< /SUCCESSIVO>** per scorrere in avanti e indietro l'elenco delle impostazioni disponibili (vedere la tabella sottostante), quindi premere **AVVIO/Pausa** per visualizzare e modificare il valore dell'impostazione attualmente selezionata.
5. Premere **PRECEDENTE< /SUCCESSIVO>** per modificare in avanti o indietro il valore, quindi premere **AVVIO/Pausa** per salvare il nuovo valore e tornare al menu principale.
6. Per modificare un'altra impostazione, ripetere i punti 4 e 5.
7. Premere **ACCENSIONE/SPEGNIMENTO** o attendere 30 secondi per uscire dal menu.

LETTERA	IMPOSTAZIONE	VALORI (Predefinito - in grassetto)
	Grado di durezza dell'acqua (vedere "IMPOSTAZIONE DELLA DUREZZA DELL'ACQUA" e "TABELLA DELLA DUREZZA DELL'ACQUA")	1 2 3 4 5
	Livello del brillantante (vedere "REGOLAZIONE DEL DOSAGGIO DI BRILLANTANTE")	0 1 2 3 4 5
	NaturalDry (vedere "OPZIONI E FUNZIONI") "1" = Accese, "0" = Spente	1 0
	Segnale acustico "1" = Accese, "0" = Spente	1 0
	Impostazioni di fabbrica Premere AVVIO/Pausa per ripristinare i valori di fabbrica di tutte le impostazioni incluse nel menu delle impostazioni.	-

RIEMPIMENTO DEL SERBATOIO SALE

L'uso di sale previene la formazione di CALCARE sulla superficie dei piatti e sui componenti della macchina. Il serbatoio del sale si trova nella parte inferiore della lavastoviglie (sotto il cestello inferiore sul lato sinistro).

- È indispensabile che il **serbatoio del sale non sia mai vuoto**.
- È essenziale quindi che il livello di durezza dell'acqua sia stato impostato.
- Il sale deve essere inserito quando la spia **RIEMPIMENTO SALE** sul pannello comandi è accesa.



1. Togliere il cestello inferiore e svitare il tappo del serbatoio (ruotare in senso antiorario).
2. Sistemare opportunamente l'imbuto (vedere figura) e rifornire il serbatoio del sale fino all'orlo (circa 0,5 kg); Non è inconsueto che l'acqua trabocchi leggermente.
3. **Solo la prima volta: riempire d'acqua il serbatoio del sale.**

4. Togliere l'imbuto ed eliminare qualsiasi residuo di sale dall'areacircostante l'apertura.
Accertarsi che il tappo sia adeguatamente serrato per evitare l'ingresso di detersivo all'interno della vaschetta durante il programma di lavaggio (ciò potrebbe causare il danneggiamento del dispositivo addolcente senza possibilità di riparazione).

Eseguire un programma ogni volta che si completa il riempimento del serbatoio del sale per evitare la corrosione.

Impostazione della durezza dell'acqua

Per consentire che il dispositivo addolcente dell'acqua agisca al meglio, è essenziale che l'impostazione del livello di durezza dell'acqua tenga conto della sua durezza effettiva nell'utenza domestica. È possibile ottenere il valore di durezza dell'acqua nell'utenza domestica rivolgendosi al proprio fornitore. L'impostazione di fabbrica è "3". Vedere, "TABELLA DELLA DUREZZA DELL'ACQUA".

Tabella della durezza dell'acqua			
Livello	°dH Gradi tedeschi	°fH Gradi francesi	°Clark Gradi inglesi
1 (dolce)	0 - 6	0 - 10	0 - 7
2 (moderatamente dolce)	7 - 11	11 - 20	8 - 14
3 (medio)	12 - 16	21 - 29	15 - 20
4 (dura)	17 - 34	30 - 60	21 - 42
5 (molto dura)	35 - 50	61 - 90	43 - 62

Per effettuare modifiche, seguire le istruzioni riportate nella sezione „MENU IMPOSTAZIONI“.

Utilizzare soltanto sale di tipo specifico per lavastoviglie.

Dopo aver versato il sale all'interno della macchina, la spia riempimento SALE si spegne.

La mancanza di sale nel serbatoio potrebbe danneggiare l'addolcitore d'acqua e la resistenza per effetto dell'accumulo di calcare.

L'uso del sale è consigliato con qualsiasi tipo di detersivo per lavastoviglie.

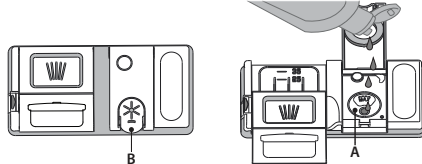
SISTEMA DI ADDOLCIMENTO DELL'ACQUA

L'addolcitore riduce automaticamente la durezza dell'acqua, impedendo la formazione di calcare sulla serpentina e contribuendo a migliorare l'efficienza di lavaggio. **Questo sistema si rigenera con il sale, che deve essere perciò rabboccato quando il serbatoio del sale è vuoto.** La frequenza di rigenerazione dipende dal livello di durezza impostato - con la durezza dell'acqua impostata al livello **3**, la rigenerazione avviene ogni **4-6** cicli Eco. Il processo di rigenerazione avviene all'inizio del ciclo con acqua fresca aggiuntiva.

- Ogni rigenerazione comporta: un consumo di ~3 litri d'acqua;
- Un prolungamento di 5 minuti della normale durata del ciclo;
- Un consumo di energia minore di 0,005 kWh.

RIEMPIMENTO DEL DISTRIBUTORE BRILLANTANTE

L'utilizzo di brillantante facilita il processo di ASCIUGATURA delle stoviglie. Il distributore di brillantante **A** deve essere riempito ogni volta che a spia dell'indicatore di RIEMPIMENTO BRILLANTANTE sul pannello comandi è illuminata.



1. Aprire il distributore **B** esercitando opportuna pressione e quindi sollevando la linguetta posta sul coperchio.

2. Versare delicatamente il brillantante fino al segno che indica il livello di riferimento massimo (110 ml), ma evitando la fuoriuscita. Nel caso in cui ciò si verifici, asciugare immediatamente il liquido fuoriuscito mediante un panno asciutto.

3. Abbassare il coperchio fino ad avvertire lo scatto che ne segnala la chiusura. **Non versare MAI il brillantante direttamente all'interno della vaschetta.**

Regolazione del dosaggio di brillantante

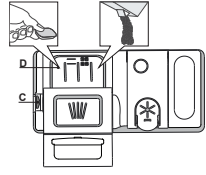
Se non si è completamente soddisfatti del processo di asciugatura, è possibile regolare la quantità di brillantante da utilizzare.

Per effettuare modifiche, seguire le istruzioni riportate nella sezione „MENU IMPOSTAZIONI“.

Nel caso in cui il livello di brillantante sia impostato su ZERO, il brillantante non viene erogato. In caso di esaurimento del brillantante **la spia BRILLANTANTE INSUFFICIENTE** non è illuminata.

- A seconda del modello di lavastoviglie è possibile impostare al massimo **6** livelli.
- In presenza di strisce con sfumature blu sulla superficie dei piatti, impostare un livello di dosaggio basso (0-3).
 - In presenza di gocce d'acqua o di calcare sulla superficie dei piatti impostare invece dosaggi alti (4-5).

RIEMPIMENTO DEL DISTRIBUTORE DETERSIVO



Per aprire il distributore detersivo utilizzare il dispositivo di apertura **C**. Versare il detersivo esclusivamente nel distributore **D** asciutto. Mettere la dose di detersivo per il prelavaggio direttamente all'interno del distributore.

USO QUOTIDIANO

1. VERIFICA DEL COLLEGAMENTO ALLA RETE IDRICA

Verificare che la lavastoviglie sia collegata alla rete idrica e che il rubinetto dell'acqua sia aperto.

2. AZIONAMENTO DELLA LAVASTOVIGLIE

Aprire la porta e premere il tasto **ACCENSIONE/SPEGNIMENTO**.

3. CARICAMENTO DEI CESTELLI (vedere CARICAMENTO DEI CESTELLI).

4. RIEMPIMENTO DEL DISTRIBUTORE DETERSIVO

5. SELEZIONARE IL PROGRAMMA E ADATTARE IL CICLO SECONDO NECESSITÀ

Selezionare il programma più appropriato in base al tipo di stoviglie e al loro livello di sporco (vedere DESCRIZIONE DEI PROGRAMMI) premendo il pulsante **PRECEDENTE/SUCCESSIVO** selezionato.

Selezionare le opzioni richieste (vedere OPZIONI E FUNZIONI). Non tutte le opzioni sono compatibili con tutti i programmi.

6. AVVIO

Avviare il ciclo di lavaggio premendo il pulsante **AVVIO/Pausa** (il led è acceso) e chiudendo la porta entro 4 secondi. Quando il programma si avvia, verrà emesso un singolo segnale acustico. Se la porta non viene chiusa entro 4 secondi viene emesso un suono di allarme. In questo caso, aprire la porta, premere il tasto **AVVIO/Pausa** e richiudere la porta entro 4 sec.

7. FINE DEL CICLO DI LAVAGGIO

La fine del ciclo di lavaggio è indicata da un suono e il display visualizza **END** (FINE). Aprire la porta e spegnere l'apparecchio premendo il pulsante **ACCENSIONE/SPEGNIMENTO**. Per evitare bruciature, prima di togliere le stoviglie attendere pochi minuti. Scaricare i cestelli, iniziando da quello inferiore.

AVVISI E CONSIGLI

CONSIGLI

Prima di caricare i cestelli, eliminare tutti i residui di cibo dalle stoviglie e vuotare i bicchieri. **Non occorre il risciacquo sotto acqua corrente prima del caricamento.**

Sistemare le stoviglie in modo che rimangano in sede e non si possano ribaltare; e sistemare le vaschette con le aperture rivolte verso il basso e le parti concave/complesse disposte obliquamente, per consentire all'acqua di lavaggio di raggiungere ogni superficie e scorrervi liberamente.

Avvertenza: coperchi, maniglie, vassoi e padelle non devono ostacolare la rotazione degli aspersori.

Riporre tutti gli oggetti di piccole dimensioni nel cestello portaposate.

Quando molto sporche, riporre piatti e pentole nel cestello inferiore poiché nel relativo settore gli aspersori svolgono un'azione più intensa e consentono migliori prestazioni nel lavaggio.

Una volta completata la procedura di carico, accertarsi che gli aspersori possano ruotare liberamente.

STOVIGLIE DI TIPO NON ADATTO

- Stoviglie e posate in legno.
- Bicchieri decorati, pezzi di artigianato e piatti antichi. Le decorazioni non sono sufficientemente resistenti.
- Componenti in materiali sintetici che non resistono alle temperature elevate.
- Stoviglie in rame e stagno.
- Stoviglie sporche di cenere, cera, grasso lubrificante o inchiostro.

Durante la fase di lavaggio i colori delle decorazioni di bicchieri e pezzi in alluminio/argento possono sbiadire. Alcuni tipi di bicchieri (es. i bicchieri in cristallo) possono divenire opachi anche soltanto dopo un certo numero di lavaggi.

DANNEGGIAMENTO DI BICCHIERI E STOVIGLIE

- Utilizzare soltanto bicchieri e porcellane garantite dal produttore per il lavaggio in lavastoviglie.
- Utilizzare un detersivo delicato e adatto al tipo di stoviglie in questione.
- Togliere i bicchieri e gli altri elementi dalla lavastoviglie non appena sia terminato il ciclo di lavaggio.

1. Per il dosaggio corretto del detersivo fare riferimento ai dati sopra riportati. La vaschetta **D** contiene indicatori di livello per facilitare il dosaggio del detersivo.
2. Eliminare eventuali residui di detersivo dai bordi del distributore e chiudere il coperchio fino ad avvertire lo scatto caratteristico.
3. Chiudere il coperchio del distributore sollevandolo fino a portare il dispositivo di chiusura in sede.

Il distributore del detersivo si apre automaticamente quando previsto dal programma in uso.

L'uso di un detersivo non specifico per lavastoviglie potrebbe causare malfunzionamenti o danni all'apparecchio.

MODIFICA DI UN PROGRAMMA IN ESECUZIONE

Se è stato selezionato un programma sbagliato, è possibile cambiarlo, a condizione che sia appena iniziato. **RESET** della macchina: tenere premuto il pulsante **ACCENSIONE/SPEGNIMENTO** per più di 3 secondi, e la macchina si spegnerà. Il pannello di controllo mostrerà **"0:01"**. Chiudere la porta e attendere il termine del ciclo di scarico (circa 1 minuto). Aprire la porta e riaccendere la macchina usando il pulsante **ACCENSIONE/SPEGNIMENTO** e selezionare il nuovo ciclo di lavaggio e le opzioni desiderate. Avviare il ciclo premendo il pulsante **AVVIO/Pausa** e chiudendo la porta entro 4 secondi.

AGGIUNTA DI STOVIGLIE EXTRA

Senza spegnere la macchina, aprire prima leggermente la porta per evitare che l'acqua fuoriesca (il led **AVVIO/Pausa** inizia a lampeggiare) (**Attenzione! Vapore caldo!**) e mettere le stoviglie nella lavastoviglie. Premere il tasto **AVVIO/Pausa** e chiudere lo sportello entro 4 secondi; il ciclo riprenderà dal punto in cui era stato interrotto.

INTERRUZIONI ACCIDENTALI

Se la porta viene aperta durante il ciclo di lavaggio, o se si verifica un'interruzione di corrente, il ciclo si interrompe. **SOLO SE SI PREME il pulsante AVVIO/Pausa** e si chiude la porta entro 4 secondi, il ciclo riprenderà dal punto in cui è stato interrotto.

CONSIGLI PER IL RISPARMIO ENERGETICO

- Se la lavastoviglie viene usata secondo le istruzioni del produttore, **il lavaggio delle stoviglie a macchina comporta normalmente un MINORE CONSUMO DI ENERGIA e acqua rispetto al lavaggio a mano.**
- Per ottimizzare l'efficienza della lavastoviglie si raccomanda di **avviare il ciclo di lavaggio con l'apparecchio a pieno carico.** Caricando la lavastoviglie fino alla capacità indicata dal produttore si contribuirà a ridurre i consumi d'acqua e di energia. Per informazioni sul caricamento corretto delle stoviglie, leggere la sezione CARICAMENTO DEI CESTELLI. In caso di carico parziale, si raccomanda di usare le apposite opzioni di lavaggio, se disponibili (Mezzo carico/ Zone Wash/ Multizona), caricando solo i cestelli selezionati. Un caricamento non corretto o eccessivo della lavastoviglie può aumentare il consumo di risorse (acqua, energia e tempo, oltre a una maggiore rumorosità) e ridurre le prestazioni di lavaggio e asciugatura.
- Il pre-risciacquo delle stoviglie comporta un maggiore consumo di acqua ed energia e non è consigliato.

IGIENIZZANTE

Per evitare la formazione di cattivi odori e sedimenti vari all'interno della lavastoviglie **avviare un programma che preveda temperature elevate almeno una volta al mese.** Per eseguire la pulizia dell'apparecchio utilizzare un cucchiaino di detersivo e avviare il ciclo in assenza di carico.

RESISTENZA AL GELO

Se l'apparecchio è collocato in un locale esposto al pericolo di gelo, **occorre svuotarlo completamente.** Chiudere il rubinetto dell'acqua e staccare i tubi di alimentazione e di scarico, quindi far defluire l'acqua. **Assicurarsi che l'addolcitore d'acqua sia pieno di sale di rigenerazione disciolto nel relativo contenitore,** per proteggere l'apparecchio da temperature fino a -20°C.

Se l'apparecchio è stato immagazzinato in condizioni di gelo, deve rimanere a una temperatura ambiente di min. 5°C **per almeno 24 ore** prima del primo funzionamento.

TABELLA DEI PROGRAMMI

Pro-gramma	Descrizione dei programmi		Fase di asciugatura	NaturalDry	Opzioni disponibili *)	Durata programma di lavaggio (h:min)**)	Consumo d'acqua (litri/ciclo)	Consumo energetico (kWh/ciclo)
P1 Eco	Eco 50° - Il programma è indicato per le stoviglie mediamente sporche; è il programma più efficiente in termini di consumo combinato di acqua ed energia per questo tipo di stoviglie e viene usato per valutare la conformità dell'apparecchio alla legislazione UE in materia di progettazione ecocompatibile.		✓	✓		3:30	9,5	0,76
P2	Auto Intensivo 65° - Il programma automatico per piatti e pentole molto sporchi.	Rileva il livello di sporco delle stoviglie e seleziona il programma adeguato. Durante il rilevamento del livello di sporco, sul display compare un'animazione e la durata del ciclo viene aggiornata.	✓	✓		2:25-3:10	15,5-24,5	1,30-1,70
P3	Auto Misti 55° - Il programma automatico per piatti normalmente sporchi e con residui secchi di cibo.		✓	✓		1:20-3:00	7,5-19,5	0,75-1,20
P4	Auto Rapido 50° - Il programma automatico per piatti normalmente e leggermente sporchi. Ciclo quotidiano; permette di ottenere risultati di lavaggio e asciugatura ottimali in un tempo inferiore.		✓	✓		1:00-1:50	7,5-15,5	0,70-1,10
P5	Rapido 45° - Il programma è consigliato per una quantità limitata di piatti poco sporchi e senza residui secchi di cibo. Non include la fase di asciugatura.		-	✓		0:30-0:40	10,0-12,0	0,55-0,65
P6	Cristalli 45° - Il programma adatto a oggetti delicati, più sensibili alle temperature elevate, ad esempio bicchieri e tazze.		✓	✓		1:40-1:50	12,5-16,5	0,95-1,20
P7	Silenzioso 55° - Adatto al funzionamento nelle ore notturne. Permette di ottenere risultati di lavaggio e asciugatura ottimali con una minima emissione sonora.		✓	✓		3:50-4:10	10,5-14,5	0,80-1,15
P8	Antibatterico 65° - Sporco normale e molto sporco, con azione antibatterica supplementare. Ciclo utilizzabile per la manutenzione della lavastoviglie.		✓	-		1:55-2:10	12,0-19,0	1,40-1,80
P9	Prelavaggio - Da utilizzare per sciacquare le stoviglie da lavare successivamente. Questo programma non richiede detersivo.		-	✓		0:12	4,5	0,10
P10	Autopulente 65° - Il programma da utilizzare per la manutenzione della lavastoviglie; deve essere eseguito solo con l'apparecchio VUOTO e usando un detersivo specifico per la manutenzione della lavastoviglie.		-	-		1:15	11,0	1,10

La misurazione dei dati per la creazione del programma ECO avviene in condizioni di laboratorio secondo quanto prescritto dalle norme europee EN 60436:2020.

Nota per i laboratori di Prove: per informazioni sulle condizioni della prova comparativa EN, farne richiesta all'indirizzo: dw_test_support@whirlpool.com

Questi programmi non richiedono un pre-trattamento delle stoviglie.

*) Non è possibile selezionare tutte le opzioni contemporaneamente.

**) Ad eccezione del programma Eco, i valori riportati per gli altri programmi sono puramente indicativi. La durata effettiva può dipendere da molti fattori, quali la temperatura e la pressione dell'acqua di alimentazione, la temperatura ambiente, la dose di detersivo utilizzata, la quantità e il tipo di carico e il suo bilanciamento, la selezione di determinate opzioni e la taratura dei sensori. La taratura dei sensori può prolungare la durata dei programmi anche di 20 minuti.

OPZIONI E FUNZIONI

Le **OPZIONI** possono essere selezionate/deselezionate, dopo aver scelto il programma, direttamente premendo il pulsante corrispondente (se disponibile - l'indicatore si accende) (vedere PANNELLO DI CONTROLLO). In caso di opzione non compatibile con il programma selezionato (vedere TABELLA DEI PROGRAMMI), il LED corrispondente lampeggia 3 volte in rapida successione ed emette i previsti segnali acustici. L'opzione non è in tal caso abilitata. Un'opzione può modificare il tempo o il consumo di acqua o di energia per il programma.

POWER CLEAN® - Grazie ai getti speciali supplementari questa funzione consente un lavaggio più intenso ed efficace nell'area specifica del cestello inferiore. Si raccomanda questa funzione per il lavaggio di pentole e casseruole (fare riferimento alla sezione di caricamento di Power Clean®).

MEZZO CARICO - Se le stoviglie da lavare non sono numerose, la funzione di mezzo carico MEZZO CARICO serve a risparmiare acqua, elettricità o tempo, a seconda del programma selezionato.

Ricordare di ridurre la dose di detersivo.

EXTRA ASCIUTTO - La temperatura più elevata durante il risciacquo finale e la fase di asciugatura prolungata consentono di migliorare l'asciugatura. L'opzione EXTRA ASCIUTTO comporta una maggior durata del ciclo di lavaggio.

AVVIO RITARDATO - L'avvio del programma può essere ritardato per un periodo di tempo compreso tra **30 minuti** e **24 ore**.

1. Selezionare il programma richiesto e qualsiasi opzione necessaria. Per ritardare l'avvio del programma premere (ripetutamente) il tasto AVVIO RITARDATO. Regolabile da 30 minuti a 24 ore. Una volta raggiunta l'impostazione di 24 ore, premere il tasto AVVIO RITARDATO un'altra volta per disattivare la funzione AVVIO RITARDATO.

2. Premere il tasto AVVIO/Pausa e chiudere lo sportello entro 4 secondi. Il timer inizierà il conto alla rovescia.

3. Una volta trascorso questo periodo di tempo, la corrispondente spia si spegne e il programma si avvia automaticamente.

Una volta avviato il programma, non è più possibile impostare la funzione AVVIO RITARDATO.

RILEVAMENTO - Quando il sensore rileva il livello del suolo, sul display appare un'animazione (circa 20 minuti) e la durata del ciclo viene aggiornata. Il RILEVAMENTO riguarda il livello di sporco delle stoviglie ed è presente per tutti i cicli (tranne l'Eco), regolando il programma di conseguenza.

NaturalDry - È un sistema di asciugatura a convezione che apre automaticamente lo sportello durante/dopo la fase di asciugatura, per garantire ogni giorno prestazioni di asciugatura eccezionali. Lo sportello si apre ad una temperatura sicura per i mobili della cucina.

Come ulteriore protezione dal vapore, insieme alla lavastoviglie viene aggiunta una pellicola di protezione appositamente progettata.

Per vedere come montare la pellicola di protezione, fare riferimento alle ISTRUZIONI PER L'INSTALLAZIONE. Nell'impostazione predefinita questa funzione è attiva, ma è possibile disattivarla nel "MENU IMPOSTAZIONI".

DECALCIFICAZIONE - Allarme - È stato rilevato un accumulo di calcare sui componenti interni dell'apparecchio. Verificare se l'impostazione della durezza dell'acqua è al valore corretto e se nel contenitore del sale è presente del sale (vedere PRIMO UTILIZZO), quindi utilizzare un prodotto decalcificante (si raccomanda il marchio WPro) con il programma Autopulizia. Dopo una corretta decalcificazione, l'icona smetterà di essere visualizzata. Se le azioni di cui sopra non vengono eseguite, le prestazioni del prodotto si deteriorano. L'avviso DECALCIFICAZIONE inizierà a lampeggiare e l'allarme «dES» apparirà sul display. Se non si interviene, l'apparecchio consentirà di avviare solo un certo numero di cicli (indicato durante la visualizzazione dell'allarme «dES») e quindi si bloccherà per evitare danni ai componenti, rendendo disponibile solo il programma Autopulente. Eseguendo una decalcificazione completa, il prodotto si sblocca. In caso di quantità estremamente elevate di calcare, potrebbe essere necessario eseguire la decalcificazione due volte per essere efficiente.

PROGRAMMA PREFERITO - Il programma PREFERITO può essere salvato e sarà facilmente accessibile. Trovare il programma utilizzando PRECEDENTE/ SUCCESSIVO, quindi premere il tasto programma PREFERITO per 3 secondi.

RUBINETTO ACQUA CHIUSO - Allarme - Lampeggia, quando non è presente acqua in ingresso o il rubinetto dell'acqua è chiuso.

CARICAMENTO DEI CESTELLI

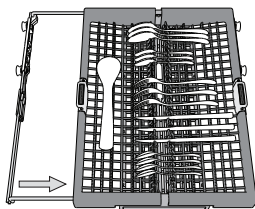
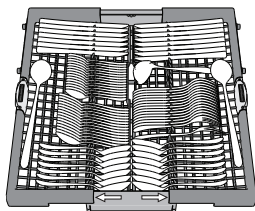
CAPACITÀ: 15 coperti standard

CESTELLO PORTAPOSATE

Il terzo cestello è stato progettato per alloggiare le posate durante il lavaggio. La possibilità di sistemare le posate a parte ne rende più semplice la raccolta dopo il lavaggio e migliora le prestazioni sia nella fase di lavaggio che in quella di asciugatura.

Coltelli e altri utensili con bordi affilati devono essere sistemati con le lame rivolte verso il basso.

Il cestello portaposate è munito di due carrelli scorrevoli per ottimizzare anche lo spazio del cestello inferiore e consentire il caricamento nel cestello superiore di oggetti di una certa altezza.

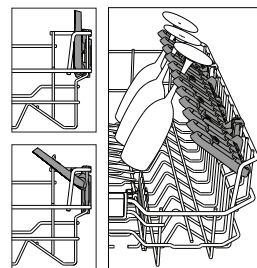


Sponde ribaltabili con posizione regolabile

Le sponde ribaltabili laterali possono essere estese o ripiegate per ottimizzare la disposizione delle stoviglie nel cestello. Si possono disporre i bicchieri da vino nelle sponde ribaltabili in modo assolutamente sicuro, inserendone lo stelo negli appositi spazi.

In base al modello:

- per estendere le sponde occorre farle scorrere verso l'alto e ruotarle oppure sganciarle dai fermi e abbassarle.
- per ripiegare le sponde occorre ruotarle e farle scorrere verso il basso oppure sollevarle e agganciarle ai fermi.

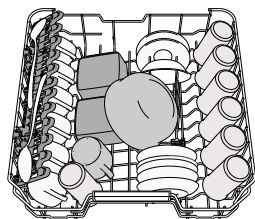


CESTELLO SUPERIORE

Riporvi i piatti poco resistenti e le stoviglie delicate: vetri, tazze, piattini, insalatiere dai bordi bassi.

Il cestello superiore è munito di sponde ribaltabili da utilizzare in posizione verticale per la sistemazione di piattini per tea/dessert oppure in posizione abbassata per consentire il carico di scodelle e recipienti per alimenti.

(esempio di carico del cestello superiore)



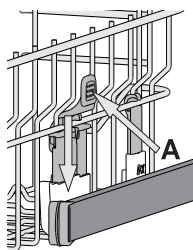
Regolazione in altezza del cestello superiore

È possibile regolare del cestello superiore nel senso dell'altezza: la posizione rialzata consente di sfruttare al massimo il cestello inferiore per riporvi le stoviglie di dimensioni ingombranti, mentre la posizione ribassata consente di utilizzare le sponde ribaltabili creando lo spazio che esse richiedono e di evitare urti con gli oggetti caricati nel cestello inferiore. Il cestello superiore è munito di **regolatore in altezza** (vedere figura) che non richiede pressione sulle leve; sollevarlo tenendolo per i lati, non appena si trovi in posizione rialzata.

Per ripristinare la posizione ribassata, agire sulle leve **A** poste ai lati del cestello e abbassare il cestello.

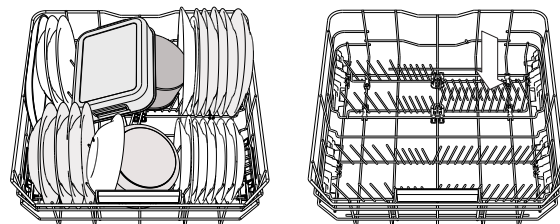
Si raccomanda vivamente di non procedere alla regolazione in altezza di cestelli già caricati.

Non rialzare o ribassare MAI il cestello agendo su un lato soltanto.



CESTELLO INFERIORE

Per pentole, coperchi, piatti, insalatiere, stoviglie, ecc. In teoria conviene disporre piatti e coperchi di grandi dimensioni ai lati, per evitare interferenze con l'elemento aspersore. Il cestello inferiore è munito di sponde ribaltabili da utilizzare in posizione verticale per la migliore sistemazione dei piatti oppure in posizione orizzontale (abbassata) per consentire il facile carico di scodelle e recipienti per alimenti.



(esempio di carico nel cestello inferiore)

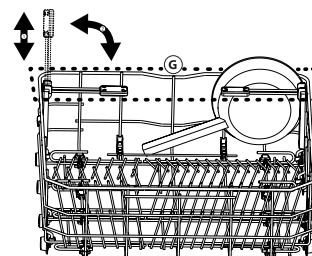
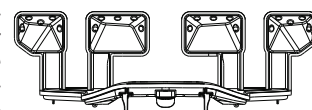
POWER CLEAN®

L'opzione Power Clean® utilizza specifici getti d'acqua nel retro della cavità per ottenere un lavaggio più intensivo delle stoviglie molto sporche. Il cestello inferiore è munito di Space Zone, lo specifico sostegno estraibile posto nella parte posteriore del cestello e utilizzabile per sostenere in posizione verticale pentole e casseruole e ottimizzare in tal modo lo spazio.

Nel disporre pentole e casseruole rivolte verso l'elemento Power Clean® attivare la corrispondente opzione **POWER CLEAN®** dal pannello comandi.

Uso dell'opzione Power Clean®:

1. Regolare l'area Power Clean® (G) ripiegando verso il basso i supporti posteriori piatti per caricare le pentole.
2. Caricare le pentole e le casseruole in posizione inclinata verticale nell'area Power Clean®. Le pentole devono essere inclinate verso i potenti getti d'acqua.



CURA E MANUTENZIONE

PULIZIA DEL GRUPPO FILTRO

Pulire regolarmente il gruppo filtro in modo che nei relativi elementi non si formino ostruzioni e che l'acqua vi scorra regolarmente.

L'uso della lavastoviglie con i filtri ostruiti, o con oggetti estranei nel sistema filtrante o nei bracci irroratori, può causare malfunzionamenti e determinare una perdita di prestazioni, un aumento della rumorosità o un maggiore consumo di risorse.

Il gruppo filtro è composto da tre elementi filtranti che eliminano la presenza di residui di cibo dall'acqua di lavaggio, rimettendola in circolo ai fini del programma: per ottenere le migliori prestazioni durante il lavaggio è necessario che tali elementi siano sempre puliti.

Non utilizzare mai la lavastoviglie priva dei filtri o con i filtri allentati.

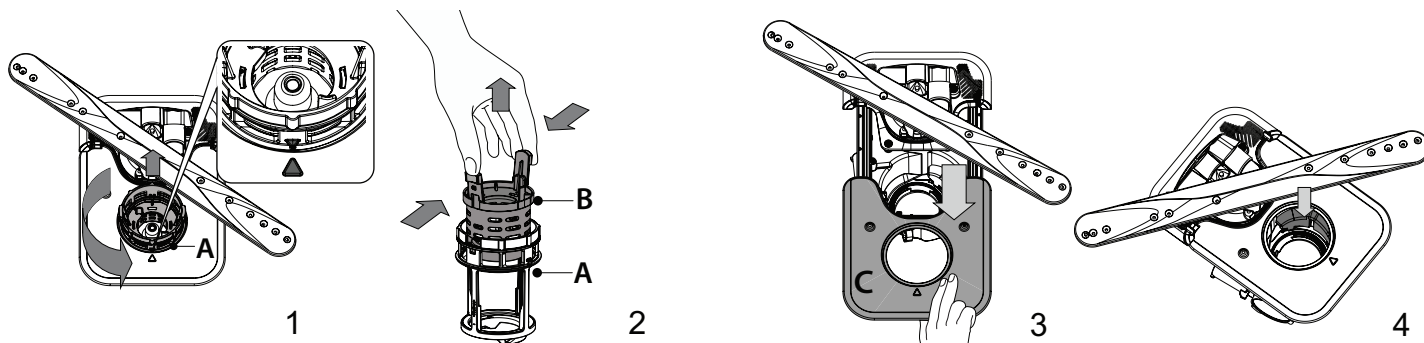
Almeno una volta al mese o ogni 30 cicli di lavaggio, verificare lo stato del gruppo filtro e se necessario pulirlo completamente sotto getto di acqua corrente, servendosi di spazzola metallica e seguendo le istruzioni sotto riportate:

1. Ruotare il filtro cilindrico **A** in senso antiorario, quindi estrarlo (Fig 1).

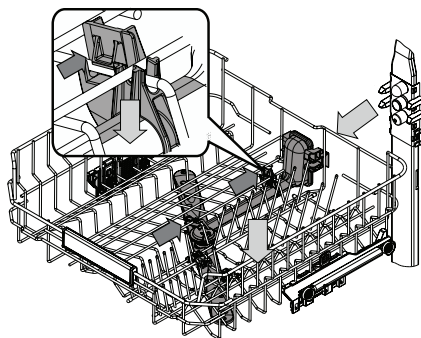
Quando si reinstalla il filtro, è importante che i due triangoli indicati sullo zoom coincidano.

2. Smontare il filtro a tazza **B** esercitando una leggera pressione sulle sponde laterali (Fig 2).
3. Far scorrere il filtro a piastra in acciaio inossidabile **C**, fino ad estrarlo (Fig 3).
4. Se si trovano oggetti estranei (frammenti di vetro, porcellana, ossa, semi di frutta, ecc.), **rimuoverli con attenzione.**
5. Esaminare il sifone ed eliminare la presenza di qualsiasi residuo di cibo. **NON TOGLIERE MAI** l'elemento di protezione della pompa di lavaggio (indicato da una freccia) (Fig 4).

Dopo aver pulito i filtri, rimontare il gruppo e fissarlo correttamente in sede ciò è fondamentale per garantire l'efficienza della lavastoviglie.

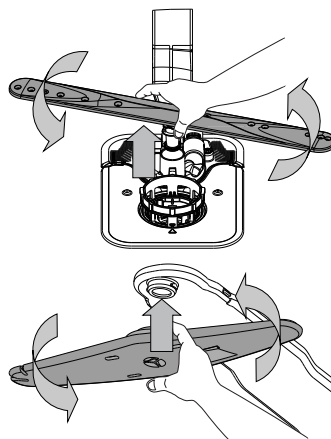


PULIZIA DEI BRACCI ASPERSORI



I residui di cibo possono occasionalmente formare incrostazioni sui bracci aspersori e bloccare i fori utilizzati per l'irrorazione dell'acqua. Si raccomanda pertanto di ispezionare di volta in volta i bracci e di pulirli mediante piccola spazzola metallica.

Per rimuovere lo spruzzo superiore, è necessario rimuoverlo insieme al collettore.



Il braccio di spruzzo inferiore può essere rimosso tirandolo verso l'alto e ruotandolo in senso antiorario. Il montaggio posteriore del braccio di spruzzo avviene tirandolo verso il basso e ruotandolo in senso orario.

Il braccio di spruzzo superiore può essere rimosso premendolo verso l'alto e successivamente ruotandolo in senso antiorario. Per rimontare il braccio di spruzzo, tirarlo verso l'alto e ruotarlo in senso orario.

RISOLUZIONE DEI PROBLEMI

Se la lavastoviglie non funziona correttamente, provare a risolvere il problema consultando l'elenco sotto riportato. Per errori o problemi di altro tipo, contattare un Servizio Assistenza Tecnica autorizzato; i dati di contatto sono riportati nel libretto di garanzia. I ricambi saranno disponibili per un periodo fino a 7 o fino a 10 anni, secondo i requisiti specifici del regolamento.

PROBLEMI	POSSIBILI CAUSE	SOLUZIONE
La spia del sale è accesa	Il serbatoio del sale è quasi vuoto.	Riempire il serbatoio con sale (per ulteriori informazioni - vedere RIEMPIMENTO DEL SERBATOIO SALE). Se necessario, verificare l'impostazione della durezza dell'acqua - vedere IMPOSTAZIONE DELLA DUREZZA DELL'ACQUA.
La spia del sale lampeggia	Il serbatoio del sale è vuoto.	Riempire il serbatoio di sale il prima possibile. L'utilizzo dell'apparecchio senza sale può causare danni ai componenti interni.
La spia del brillantante è accesa o lampeggia	Il distributore del brillantante è vuoto. (Dopo il riempimento, la spia del brillantante può rimanere accesa per un breve periodo).	Riempire la vaschetta con un brillantante (per maggiori informazioni - vedere RIEMPIMENTO DEL DISTRIBUTORE BRILLANTANTE).
La spia di decalcificazione è accesa o lampeggia; Viene visualizzato l'allarme „dES“.	Il calcare si sta accumulando sui componenti interni dell'apparecchio.	Decalcificare immediatamente l'apparecchio utilizzando il programma AUTOPULENTE e un prodotto decalcificante disponibile in commercio (vedere OPZIONI E FUNZIONI). Riempire il serbatoio di sale. Verificare l'impostazione della durezza dell'acqua. Se l'apparecchio non viene decalcificato, smetterà di funzionare.
La lavastoviglie non si avvia o i comandi non rispondono.	L'apparecchio non è stato collegato correttamente all'alimentazione elettrica.	Inserire la spina nella presa di corrente.
	Mancanza di corrente.	Per motivi di sicurezza, la lavastoviglie non si riavvierà automaticamente al ritorno della corrente. Aprire la porta, premere il tasto AVVIO/Pausa e richiudere la porta entro 4 secondi.
	Mancata chiusura della porta lavastoviglie. Il perno NaturalDry non viene inserito.	Spingere con decisione la porta fino ad avvertire il caratteristico "click".
	Un ciclo viene interrotto dall'apertura della porta per più di 4 secondi.	Premere AVVIO/Pausa e chiudere la porta entro 4 secondi.
Lo scarico della lavastoviglie non avviene. Sul display viene visualizzato: F7 E3 o F9 E1	Il filtro è intasato da residui di cibo o calcare.	Pulire il filtro e decalcificare l'apparecchio (vedere PULIZIA DEL GRUPPO FILTRO e ISTRUZIONI PER LA DECALCIFICAZIONE).
	Il tubo flessibile di drenaggio è attorcigliato.	Controllare il tubo flessibile di scarico (vedere ISTRUZIONI DI INSTALLAZIONE).
	Tubo di scarico del lavandino ostruito.	Pulire il tubo di scarico del lavandino.
La rumorosità della lavastoviglie è eccessiva.	Le stoviglie si scontrano l'una con l'altra.	Posizionare correttamente le stoviglie (vedere CARICAMENTO DEI CESTELLI).
	È presente una quantità eccessiva di schiuma.	Il detersivo non è stato dosato in modo corretto oppure non è del tipo adatto alle lavastoviglie (vedere RIEMPIMENTO DEL DISTRIBUTORE DETERSIVO). Per riavviare il ciclo in corso, spegnere e riaccendere la lavastoviglie, scegliere un nuovo programma, premere AVVIO/Pausa e chiudere lo sportello entro 4 secondi. Non aggiungere altro detersivo.
	Le stoviglie non sono state disposte correttamente.	Sistemare le stoviglie nel modo corretto (vedere CARICAMENTO DEI CESTELLI).
	Il filtro è intasato da residui di cibo o calcare.	Pulire il gruppo filtro (vedere CURA E MANUTENZIONE).

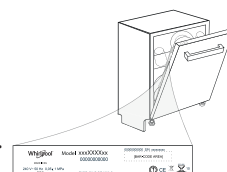
PROBLEMI	POSSIBILI CAUSE	SOLUZIONE
Le stoviglie non risultano pulite.	Le stoviglie non sono state disposte correttamente.	Sistemare le stoviglie nel modo corretto (vedere <i>CARICAMENTO DEI CESTELLI</i>).
	Impedimento nella rotazione dei bracci aspersori a causa dell'interferenza dei piatti.	Sistemare le stoviglie nel modo corretto (vedere <i>CARICAMENTO DEI CESTELLI</i>). Verificare che il cestello superiore sia nella posizione corretta e, se necessario, regolarlo (sollevarlo).
	Il ciclo di lavaggio è eccessivamente delicato.	Selezionare un ciclo di lavaggio appropriato (vedere <i>TABELLA DEI PROGRAMMI</i>).
	È presente una quantità eccessiva di schiuma.	Il dosaggio del detersivo non è stato stabilito in modo corretto oppure il detersivo non è del tipo adatto alle lavastoviglie (vedere <i>RIEMPIMENTO DEL DISTRIBUTORE DETERSIVO</i>).
	Il tappo del vano del brillantante non è stato chiuso correttamente.	Accertarsi che il tappo sul distributore brillantante sia chiuso.
	Il filtro è intasato da residui di cibo o calcare.	Pulire il filtro e decalcificare l'apparecchio (vedere <i>PULIZIA DEL GRUPPO FILTRO</i>).
La lavastoviglie non esegue il carico dell'acqua. Il display mostra: H2O e  si accende; suona l'allarme acustico.	Il serbatoio del sale è vuoto.	Riempire il serbatoio del sale (vedere <i>RIEMPIMENTO DEL SERBATOIO SALE</i>).
	Assenza di alimentazione idrica o rubinetto chiuso.	Assicurarsi che sia presente acqua nella rete idrica e che il rubinetto dell'acqua sia aperto.
La lavastoviglie termina il ciclo di lavaggio troppo presto. Il display mostra: F8 E3	Il tubo flessibile di ingresso dell'acqua è attorcigliato.	Controllare il tubo flessibile di ingresso (vedere <i>INSTALLAZIONE</i>). Aprire la porta, premere il tasto AVVIO/Pausa e richiudere la porta entro 4 secondi.
	La griglia nel tubo flessibile di ingresso dell'acqua è intasata; è necessario pulirlo.	Controllare e pulire la griglia nel tubo flessibile di ingresso dell'acqua. Aprire la porta, premere il tasto AVVIO/Pausa e richiudere la porta entro 4 secondi.
	Il filtro è intasato da residui di cibo o calcare.	Pulire il filtro e decalcificare l'apparecchio (vedere <i>PULIZIA DEL GRUPPO FILTRO e ISTRUZIONI PER LA DECALCIFICAZIONE</i>).
	Il tubo di scarico è posizionato troppo in basso o crea un effetto sifone nell'impianto di scarico domestico.	Controllare che l'estremità del tubo di scarico si trovi all'altezza corretta (vedere <i>INSTALLAZIONE</i>). Verificare la presenza di effetti sifone nel sistema fognario domestico e, se necessario, installare un interruttore sifone/una valvola di ammissione dell'aria.
Le stoviglie non vengono asciugate bene.	È presente una quantità eccessiva di schiuma.	Il dosaggio del detersivo non è stato stabilito in modo corretto oppure il detersivo non è del tipo adatto alle lavastoviglie (vedere <i>RIEMPIMENTO DEL DISTRIBUTORE DETERSIVO</i>).
	Aria nella rete idrica.	Controllare che non vi siano perdite nell'impianto idraulico o altri problemi che causino l'ingresso di aria.
	Il brillantante non è presente o il dosaggio è troppo basso.	Assicurarsi che la vaschetta del brillantante sia piena (vedere <i>RIEMPIMENTO DEL DISTRIBUTORE BRILLANTANTE</i>). Le sole compresse multifunzionali non garantiscono un effetto di asciugatura altrettanto buono rispetto all'uso effettivo del brillantante liquido.
	Le stoviglie sono state scaricate dopo l'apertura automatica della porta, ma prima della fine del ciclo effettivo.	Assicurarsi che il ciclo sia terminato prima di iniziare a scaricare le stoviglie (vedere <i>USO QUOTIDIANO</i>). Per ottenere risultati di asciugatura ancora migliori, si consiglia di lasciare le stoviglie all'interno della lavastoviglie con la porta aperta per altri 15 minuti dopo la fine del ciclo.
	Le stoviglie sono troppo distese.	Se si notano ristagni d'acqua all'interno delle cavità di tazze, tazzine o ciotole, provare a caricare le stoviglie (soprattutto nel cestello superiore) fornendo una maggiore inclinazione per far gocciolare una maggiore quantità d'acqua prima dell'inizio dell'asciugatura.
I piatti e i bicchieri presentano striature blu o sfumature bluastre.	Il ciclo selezionato non prevede la fase di asciugatura.	Verificare nella <i>TABELLA DEI PROGRAMMI</i> se il programma selezionato è predisposto per la fase di asciugatura. Il ciclo senza la fase di asciugatura potrebbe non fornire l'efficienza di asciugatura desiderata, quindi si raccomanda di cambiare la selezione del ciclo con quella che prevede la fase di asciugatura.
	Piatti in materiale antiaderente o in plastica.	La presenza di alcune gocce d'acqua su questo tipo di materiale è normale.
I piatti e i bicchieri sono ricoperti di calcare o di una pellicola biancastra.	La dose di brillantante è eccessiva.	Regolare il dosaggio su un'impostazione più bassa.
	Il serbatoio del sale è vuoto.	Riempire il serbatoio di sale il prima possibile. L'utilizzo dell'apparecchio senza sale può causare danni ai componenti interni.
	L'impostazione della durezza dell'acqua è troppo bassa.	Aumentare l'impostazione (vedere <i>TABELLA DELLA DUREZZA DELL'ACQUA</i>).
	Tappo del serbatoio sale non correttamente chiuso.	Controllare e chiudere il tappo del serbatoio del sale.
La lavastoviglie indica: F8 E5	Il serbatoio del brillantante è vuoto o il dosaggio del brillantante è insufficiente.	Riempire nuovamente la vaschetta con il brillantante e controllare l'impostazione del dosaggio (per maggiori informazioni - vedere <i>RIEMPIMENTO DEL DISTRIBUTORE BRILLANTANTE</i>).
	La valvola è bloccata o difettosa.	Chiudere il rubinetto dell'acqua, se possibile. Non interrompere l'alimentazione elettrica. Chiamare l'assistenza.



Documentazione normativa, documentazione standard, ordinazione di pezzi di ricambio e altre informazioni sul prodotto possono essere reperite:

- Usare il codice QR e visitando il nostro sito web docs.whirlpool.eu/docs
- Visitando il nostro sito web parts-selfservice.europeanappliances.com
- Oppure, **contattare il Servizio Assistenza Tecnica** (al numero di telefono riportato sul libretto di garanzia). Quando si contatta il Servizio Assistenza Tecnica, fornire i codici presenti sulla targhetta matricola del prodotto.

I dati del modello possono essere richiamati usando il codice QR riportato sull'etichetta energetica. L'etichetta riporta anche il codice identificativo del modello che può essere utilizzato per consultare il portale di registrazione su <https://eprel.ec.europa.eu>





БИ БЛАГОДАРИМЕ ШТО КУПИВТЕ ПРОИЗВОД НА WHIRLPOOL.
За да добиете покомплетна помош, регистрирајте го вашиот апарат на: www.whirlpool.eu/register

Пред да го користите апаратот, внимателно прочитајте го упатството за безбедност и инсталација. Повеќе информации за производот ќе најдете на веб-страницата: docs.whirlpool.eu/docs
По инсталацијата, не заборавајте да ги отстраните сите заштитни делови за транспорт од машината за садови.

КОНТРОЛНА ТАБЛА

- Копче за **ВКЛУЧУВАЊЕ-ИСКЛУЧУВАЊЕ/Ресетирање** со индикаторско светло
- Копче за **ПРЕТХОДНА програма**
- Копче за **СЛЕДНА програма**
- Копче за **ОМИЛЕНА програма** со индикаторско светло
- Индикаторско светло за **празен резервоар за сол**
- Индикаторско светло за **празен резервоар за средство за плакнење**
- Индикаторско светло за **ОТСТРАНУВАЊЕ БИГОР**
- Индикаторско светло за **затворен вентил за вода**
- Екран**
- Број на **програма** и индикатор за **преостанатото време**



- Копче за **Power Clean® option** со индикаторско светло
- Копче за **опција Половично полнење** со индикаторско светло/**Поставки** - притиснете и задржете 3 секунди
- Копче за **опција Дополнително сушење** со индикаторско светло
- Копче за **опција Одложен старт** со индикаторско светло
- Копче **СТАРТ/Пауза** со индикаторско светло

ПРВА УПОТРЕБА

МЕНИ ЗА ПОСТАВКИ

- Вклучете го апаратот со притискање на **копчето ВКЛУЧУВАЊЕ-ИСКЛУЧУВАЊЕ** (1).
- Задржете го копчето **Поставки** (12) (Половично полнење (12)) 3 секунди, додека не слушнете звучен сигнал и на екранот не се прикаже „Set“.
- По една секунда ќе се прикаже првата достапна поставка (буквата „h“).
- Притиснете **ПРЕТХОДНО </СЛЕДНО >** за да листате низ списокот со достапни поставки (види табела подолу), потоа притиснете **СТАРТ/Пауза** (15) за да ја видите и промените вредноста на моментално избраната поставка.
- Притиснете **ПРЕТХОДНО </СЛЕДНО >** за да ја промените вредноста, потоа притиснете **СТАРТ/Пауза** (15) за да ја зачувате новата вредност и да се вратите на главното мени.
- За да промените друга поставка, повторете ги чекорите 4 и 5.
- Притиснете **ВКЛУЧУВАЊЕ-ИСКЛУЧУВАЊЕ** (1) или почекајте 30 секунди за да излезете од менито.

БУКВА	ПОСТАВКА	ВРЕДНОСТИ (Стандардни - со задебелени букви)
h	Ниво на тврдост на водата (види ПОСТАВУВАЊЕ НА ТВРДОСТА НА ВОДАТА и ТАБЕЛА ЗА ТВРДОСТА НА ВОДАТА)	1 2 3 4 5
h	Ниво на средство за плакнење (види ПРИЛАГОДУВАЊЕ НА ДОЗАТА НА СРЕДСТВОТО ЗА ПЛАКНЕЊЕ)	0 1 2 3 4 5
h	NaturalDry (види ОПЦИИ И ФУНКЦИИ) "1" = Вклучено, "0" = Исклучено	1 0
h	Звук "1" = Вклучено, "0" = Исклучено	1 0
h	Фабрички поставки Притиснете СТАРТ/Пауза за да ги вратите на фабричките поставки сите вредности на поставките вклучени во менито за поставки.	-

ПОЛНЕЊЕ НА РЕЗЕРВОАРОТ ЗА СОЛ

Употребата на сол го спречува создавањето на БИГОР на садовите и на функционалните компоненти на машината. Резервоарот за сол се наоѓа во долниот дел на машината за садови (под долната решетка од левата страна).

- Резервоарот за сол никогаш не треба да биде празен.**
- Важно е да се постави тврдоста на водата.
- Солта мора да се наполни кога свети индикаторското **светло за ДОПОЛНУВАЊЕ СОЛ** (5) на контролната табла.



- Извадете ја долната решетка и одвртете го капачето на резервоарот (налево).
- Поставете ја инката (види слика) и наполнете го резервоарот за сол до работ (приближно 0,5 kg); често се случува да истече малку вода.
- Направете го ова само првиот пат: наполнете го резервоарот за сол со вода.**

- Извадете ја инката и избришете ги остатоците од сол од отворот. Проверете дали капачето е добро прицврстено за да не може да влезе детергент во садот за време на програмата за миење (ова може целосно да го оштети омекнувачот на вода).
- Вклучете ја програмата веднаш штом ќе завршите со полнењето на резервоарот за сол за да не дојде до корозија.**

Поставување на тврдоста на водата

За да може омекнувачот на вода да работи беспрекорно, неопходно е поставката за тврдост на водата да се заснова на вистинската тврдост на водата во вашиот дом. Овие информации може да ги добиете од вашиот локален снабдувач со вода. Фабричката поставка е „3“. Види „ТАБЕЛА ЗА ТВРДОСТА НА ВОДАТА“.

Ниво	°dH Германски степени	°fH Француски степени	°Clark Англиски степени
1 (мека)	0 - 6	0 - 10	0 - 7
2 (средна)	7 - 11	11 - 20	8 - 14
3 (просечна)	12 - 16	21 - 29	15 - 20
4 (тврда)	17 - 34	30 - 60	21 - 42
5 (многу тврда)	35 - 50	61 - 90	43 - 62

За да промените, следете ги упатствата во делот „МЕНИ ЗА ПОСТАВКИ“. **Користете само сол што е специјално наменета за машини за садови.** Откако ќе истурите сол во машината, индикаторското светло за ДОПОЛНУВАЊЕ СОЛ ќе се исклучи. **Ако садот за сол не е наполнен, омекнувачот на вода и грејачот може да се оштетат како резултат на акумулација на бигор.** Се препорачува употреба на сол со секаков вид детергент за миење садови.

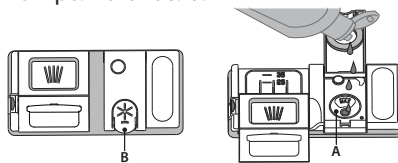
СИСТЕМ ЗА ОМЕКНУВАЊЕ НА ВОДАТА

Омекнувачот на вода автоматски ја намалува тврдоста на водата, со што се спречува наталожување бигор на грејачот, придонесувајќи и за подобра ефикасност на миењето. **Овој систем се регенерира со сол, затоа е потребно повторно да се наполни садот за сол кога е празен.** Фреквенцијата на регенерација зависи од поставката на нивото на тврдост на водата – регенерацијата се одвива еднаш на **4-6** Есо (Еко) циклуси со нивото на тврдост на водата поставено на **3**. Процесот на регенерација се јавува на почетокот на циклусот со дополнителна свежа вода.

- Една регенерација троши ~3L вода;
- Потребни се до 5 дополнителни минути за циклусот;
- Троши под 0.005kWh енергија.

ПОЛНЕЊЕ НА ДОЗЕРОТ ЗА СРЕДСТВО ЗА ПЛАКНЕЊЕ

Средството за плакнење го олеснува СУШЕЊЕТО на садовите. Дозерот за средство за плакнење **A** треба да се наполни кога свети **индикаторското светло за ДОПОЛНУВАЊЕ СРЕДСТВО ЗА ПЛАКНЕЊЕ** (10) на контролната табла.



- Отворете го дозерот **B** со притискање и повлекување на јазичето на капакот.
- Истурете го средството за плакнење (макс. 110 ml) и внимавајте да не се прелее од дозерот. Ако тоа се случи, веднаш исчистете со сува крпа.

- За да го затворите, притиснете го капакот надолу додека не слушнете клик.

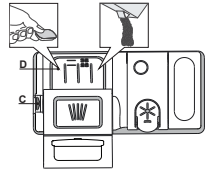
НИКОГАШ не истурајте го средството за плакнење директно во отворот на апаратот.

Прилагодување на дозата на средството за плакнење

Ако не сте целосно задоволни со резултатите од сушењето, може да ја прилагодите количината на употребеното средство за плакнење. За да промените, следете ги упатствата во делот „МЕНИ ЗА ПОСТАВКИ“. Ако нивото на средството за плакнење е поставено на **НУЛА**, нема да има средство за плакнење. Индикаторското светло за **НИСКО НИВО НА СРЕДСТВО ЗА ПЛАКНЕЊЕ** нема да светне ако нема средство за плакнење. Може да се постават најмногу 6 нивоа според моделот на машината за садови.

- Ако видите синкасти ленти на садовите, поставете мал број (0-3).
- Ако има капки вода или траги од бигор на садовите, поставете среден број (4-5).

ПОЛНЕЊЕ НА ДОЗЕРОТ ЗА ДЕТЕРГЕНТ



За да го отворите дозерот за детергент користете го уредот за отворање **C**. Ставете детергент само во сувиот дозер **D**. Ставете ја количината на детергент за предмиење директно во отворот.

1. Кога го мерите детергентот, погледнете ги споменатите информации за да ја ставите соодветната количина. Внатре во дозерот **D** има индикации кои помагаат во дозирањето на детергентот.

СЕКОЈДНЕВНА УПОТРЕБА

1. ПРОВЕРКА НА ПРИКЛУЧОКОТ ЗА ВОДА

Проверете дали машината за садови е поврзана со довод на вода и дали вентилот е отворен.

2. ВКЛУЧУВАЊЕ НА МАШИНАТА ЗА МИЕЊЕ САДОВИ

Отворете ја вратата и притиснете на копчето **ВКЛУЧУВАЊЕ-ИСКЛУЧУВАЊЕ**.

3. НАПОЛНЕТЕ ГИ РЕШЕТКИТЕ (види ПОЛНЕЊЕ НА РЕШЕТКИТЕ).

4. НАПОЛНЕТЕ ГО ДОЗЕРОТ ЗА ДЕТЕРГЕНТ

5. ИЗБЕРЕТЕ ПРОГРАМА И ПРИЛАГОДЕТЕ ГО ЦИКЛУСОТ

Изберете ја најсоодветната програма според видот на садовите и нивото на извалканост (види ОПИС НА ПРОГРАМИ) со притискање на копчиња за **ПРЕТХОДНА/СЛЕДНА**.

Изберете ги саканите опции (види ОПЦИИ И ФУНКЦИИ). Не сите опции се компатибилни со сите програми.

6. ЗАПОЧНУВАЊЕ

Започнете го циклусот на миење со притискање на копчето **СТАРТ/Пауза** (се пали светилката) и затворете ја вратата во рок од 4 секунди. Кога програмата ќе започне, ќе слушнете единечно бипкање. Ако не ја затворите вратата во рок од 4 секунди, повторно ќе слушнете бипкање. Во овој случај, отворете ја вратата, притиснете на копчето **СТАРТ/Пауза** и повторно затворете ја вратата во рок од 4 секунди.

7. ЗАВРШУВАЊЕ НА ЦИКЛУСОТ НА МИЕЊЕ

Крајот на циклусот на перење се означува со звук и на екранот се прикажува **END** (KPAJ). Отворете ја вратата и исклучете го апаратот со притискање на копчето **ВКЛУЧУВАЊЕ-ИСКЛУЧУВАЊЕ**.

Почекајте неколку минути пред да ги извадите садовите – за да не се изгорите. Извадете ги садовите така што ќе започнете од најдолната решетка.

2. Отстранете ги остатоците од детергентот од рабовите на дозерот и затворете го капакот додека не кликне.

3. Затворете го капакот на дозерот за детергент со повлекување нагоре додека уредот за затворање не се прицврсти на своето место.

Дозерот за детергент автоматски се отвора во вистинско време според програмата.

Употребата на детергент што не е наменет за машини за садови може да предизвика дефект или оштетување на апаратот.

МЕНУВАЊЕ НА ПРОГРАМА ВО ТЕК

Ако изберете погрешна програма, може да ја смените ако започнала непосредно. **РЕСЕТИРАЈТЕ** ја машината: притиснете и задржете го копчето **ВКЛУЧУВАЊЕ-ИСКЛУЧУВАЊЕ** повеќе од 3 секунди и машината ќе се исклучи. **На таблата ќе се прикаже „0:01“**. Затворете ја вратата и почекајте додека не заврши циклусот на одвод (околу 1 минута). Отворете ја вратата и повторно вклучете ја машината со притискање на копчето **ВКЛУЧУВАЊЕ-ИСКЛУЧУВАЊЕ** и изберете нов циклус на перење и некоја од саканите опции. Започнете го циклусот со притискање на копчето **СТАРТ/Пауза** и затворете ја вратата во рок од 4 секунди.

ДОДАВАЊЕ САДОВИ

Без да ја исклучите машината, прво подотворете ја вратата за да не ве испрска вода (**СТАРТ/Пауза** светилката почнува да трепка) (**Внимание! Врела пара!**) и ставете ги садовите во машината. Притиснете на копчето **СТАРТ/Пауза** и затворете ја вратата во рок од 4 секунди, циклусот ќе продолжи од каде што застанал.

НЕНАДЕЈНО ПРЕКИНУВАЊЕ

Ако ја отворите вратата додека трае циклусот на миење, или ако счума струја, циклусот ќе запре. **САМО АКО ПРИТИСНЕТЕ** на копчето **СТАРТ/Пауза** и ја затворите вратата во рок од 4 секунди, циклусот ќе продолжи од каде што застанал.

СОВЕТИ И ПРЕПОРАКИ

СОВЕТИ

Пред да ги наполните корпите, отстранете ги сите остатоци од храна од садовите и испразнете ги чашите. **Не треба претходно да ги плакнете.** Наредете ги садовите така што да стојат цврсто и да не се превртат; и наредете ги садовите со отворите свртени надолу и конкавните/конвексните делови поставени косо, со што ќе дозволите водата да стигне до секоја површина и слободно да истече.

Предупредување: капациите, рачките, тавите и тавчињата за пржење не треба да го спречуваат ротирањето на краците на прскалката.

Ставете ги сите мали предмети во корпата за прибор за јадење.

Многу валканите садови и тавчиња треба да се стават во долната корпа бидејќи во овој дел прскалите за вода се силни и овозможуваат повисоки перформанси на миење.

Откако ќе го наполните апаратот, проверете дали краците на прскалката можат слободно да се ротираат.

НЕСООДВЕТНИ САДОВИ

- Дрвени садови и прибор за јадење.
- Фино украсени чаши, ракотворби и антички садови. Нивните украси не се отпорни.
- Делови од синтетички материјал кои не издржуваат високи температури.
- Бакарни и лимени садови.
- Садови извалкани со пепел, восок, маст за подмачкување или мастило. Боите на стаклените украси и алуминиумските/сребрените парчиња може да се променат и избледат за време на процесот на миење. Некои типови на стакло (на пр. кристални предмети) може да станат матни по неколку циклуси на миење.

ОШТЕТУВАЊЕ НА СТАКЛОТО И САДОВИТЕ

- Користете само чаши и порцелан со гаранција од производителот како безбедни за миење во машина за садови.
- Користете нежен детергент погоден за садови.
- Соберете ги чашите и приборот за јадење од машината за садови штом ќе заврши циклусот на миење.

СОВЕТИ ЗА ЗАШТЕДА НА ЕНЕРГИЈА

- Кога машината за садови за домаќинство се користи според упатствата на производителот, **миењето садови во машината обично троши помалку енергија и вода отколку рачното миење садови.**
- Со цел да се зголеми ефикасноста на машината за садови, **се препорачува да се започне циклусот на миење откако машината ќе биде целосно наполнета.** Полнењето на машината за садови за домаќинство до капацитетот назначен од производителот ќе придонесе за заштеда на енергија и вода. Информации за правилно полнење на садовите може да најдете во делот Полнење. Во случај на половично полнење, се препорачува да користите посебни опции за миење доколку се достапни (Половично полнење / Зонско миење / Повеќезонско миење), така што ќе ги наполните само избраните решетки. Неправилното полнење или преоптоварување на машината за садови може да го зголеми искористувањето на ресурсите (како што се вода, енергија и време, и да го зголеми нивото на бучава), намалувајќи ги перформансите на перење и сушење.
- Рачното претходно плакнење на садовите доведува до зголемена потрошувачка на вода и енергија и не се препорачува.

ХИГИЕНА

За да избегнете мирис и талог што може да се акумулира во машината за садови, **користете програма со висока температура најмалку еднаш месечно.** Ставете една кафена лажичка детергент и пуштете ја програмата без да додадете садови за да го исчистите вашиот апарат.

ОТПОРНА НА ЗАМРЗНУВАЊЕ

Ако апаратот е поставен во околина изложена на ризик од мраз, **мора водата целосно да се испушти.** Затворете го вентилот за вода, извадете ги доводните и одводните црева и оставете ја целата вода да истече. **Проверете дали омекнувачот на вода е полн со растворена сол за регенерација во садот за сол,** за заштита на апаратот од температури до -20°C .

Ако апаратот се чувал во услови на мраз, истиот мора да остане на амбиентална температура од мин. 5°C **најмалку 24 часа** пред првото вклучување.

ТАБЕЛА СО ПРОГРАМИ

Програма	Опис на програмите	Фаза на сушење	NaturalDry	Достапни опции *)	Времетраење на програмата за миење (ч.: мин.)**)	Потрошувачка на вода (литри/циклус)	Потрошувачка на енергија (kWh/циклус)
P1 Eco	Еко 50° - Програмата е погодна за чистење на нормално валкани садови, бидејќи за оваа употреба е најефикасната програма во однос на нејзината комбинирана потрошувачка на енергија и вода и бидејќи се користи за проценка на усогласеноста со законодавството на ЕУ за екодизајн.	✓	✓		3:30	9,5	0,76
P2	Авто Интензивна 65° - Автоматска програма за многу валкани садови и тавчиња.	✓	✓		2:25-3:10	15,5-24,5	1,30-1,70
P3	Авто Мешани 55° - Автоматска програма за нормално валкани садови со засушени остатоци од храна.	✓	✓		1:20-3:00	7,5-19,5	0,75-1,20
P4	Авто Брзо 50° - Автоматска програма за нормално и малку валкани садови. Циклус за секој ден кој обезбедува оптимални перформанси на чистење и сушење за пократко време.	✓	✓		1:00-1:50	7,5-15,5	0,70-1,10
P5	Рапид 45° - Програмата се препорачува за ограничена количина на малку валкани садови без засушени остатоци од храна. Не ја вклучува фазата на сушење.	-	✓		0:30-0:40	10,0-12,0	0,55-0,65
P6	Кристали 45° - Програма за деликатни предмети, кои се чувствителни на високи температури, на пример, чаши и шолји.	✓	✓		1:40-1:50	12,5-16,5	0,95-1,20
P7	Тивка 55° - Погодна за работа на апаратот во текот на ноќта. Обезбедува оптимални перформанси на миење и сушење со најниска емисија на бучава.	✓	✓		3:50-4:10	10,5-14,5	0,80-1,15
P8	Дезинфекција 65° - Нормално или многу валкани садови, со дополнителен циклус на антибактериско миење. Може да се користи за одржување на машината за садови.	✓	-		1:55-2:10	12,0-19,0	1,40-1,80
P9	Предмиење - Се користи за освежување на садовите кои се планирани да се измијат подоцна. Со оваа програма не треба да се користи детергент.	-	✓		0:12	4,5	0,10
P10	Самочистење 65° - Програма што треба да се користи за одржување на машината за садови, да се пушта само кога машината за садови е ПРАЗНА со користење на специфични детергенти наменети за одржување на машината.	-	-		1:15	11,0	1,10

Податоците од програмата ЕКО се мерат во лабораториски услови според европскиот стандард EN 60436:2020. Забелешка за лаборатории за тестирање: За информации за компаративните услови за тестирање EN, испратете е-пошта на следната адреса: dw_test_support@whirlpool.com

Пред некоја од програмите не е потребен предтретман на садовите.

*) Не можат сите опции да се користат истовремено.

**) Вредностите дадени за програми различни од програмата Еко се само индикативни. Вистинското време може да варира во зависност од многу фактори како што се температурата и притисокот на доводната вода, собната температура, количината на детергент, количината и типот на садови, балансирање на садовите, дополнителните избрани опции и калибрацијата на сензорот. Калибрацијата на сензорот може да го зголеми времетраењето на програмата до 20 мин.

ОПЦИИ И ФУНКЦИИ

ОПЦИИТЕ може да се избрат/откажат, по избирање на програмата, директно со притискање на соодветното копче (ако има – се пали индикаторското светло) (види КОНТРОЛНА ТАБЕЛА). Ако некоја опција не е компатибилна со избраната програма (види ТАБЕЛА СО ПРОГРАМИ), соодветната LED светилка трепка брзо 3 пати и ќе слушнете бипкање. Опцијата нема да биде овозможена. Една опција може да го промени времетраењето, потрошувачката на вода или енергија за програмата.

POWER CLEAN® - Благодарение на дополнителните млазници за напојување, оваа опција обезбедува поинтензивно и помокно миење во долната решетка, во одредена област (погледнете во делот Power Clean® полнење).

ПОЛОВИЧНО ПОЛНЕЊЕ - Ако нема многу садови за миење, ПОЛОВИЧНО ПОЛНЕЊЕ се користи за заштеда на вода, струја или време во зависност од избраната програма.

Не заборавајте да ја намалите количината на детергент.

ДОПОЛНИТЕЛНО СУШЕЊЕ - Повисоката температура за време на последното плакнење и продолжената фаза на сушење овозможува подобро сушење. Опцијата EXTRA DRY (ДОПОЛНИТЕЛНО СУШЕЊЕ) го продолжува циклусот на миење.

ПРЕПОЗНАВАЊЕ - Кога сензорот го препознава нивото на извалканост, на екранот се појавува анимација (околу 20 мин.) и времетраењето на циклусот се ажурира.

Препознавањето е за нивото на извалканост на садовите и го има кај сите циклуси (освен Еко) со соодветно прилагодување на програмата.

ОМИЛЕНА ПРОГРАМА - Омилената програма може да се зачува и ќе може лесно да се избере. Најдете ја програмата со помош на ПРЕТХОДНА/СЛЕДНА, а потоа притиснете го копчето Омилена програма и задржете го 3 секунди.

ОДЛОЖЕН СТАРТ - Почетокот на програмата може да биде одложен за временски период помеѓу **30 минути и 24 часа**.

1. Изберете ја програмата и саканите опции. Притиснете го копчето ОДЛОЖЕН СТАРТ (повеќе пати) за да го одложите почетокот на програмата. Може да се прилагоди од 30 минути до 24 часа. Откако ќе дојдете до поставката за 24 часа, уште еднаш притиснете на ОДЛОЖЕН СТАРТ за да ја деактивирате функцијата ОДЛОЖЕН СТАРТ.

2. Притиснете на копчето START/Pause (СТАРТ/Пауза) и затворете ја вратата во рок од 4 секунди. Тајмерот ќе почне да одбројува.

3. Откако ќе помине ова време, индикаторското светло се исклучува и програмата автоматски започнува.

Функцијата ОДЛОЖЕН СТАРТ не може да се постави откако ќе се стартува програмата.

NaturalDry - Тоа е систем за сушење со конвекција кој автоматски ја отвора вратата за време/по фазата на сушење за да обезбеди исклучителни перформанси на сушење секој ден. Вратата се отвора на температура што е безбедна за вашите кујнски елементи.

Како дополнителна заштита од пареа, заедно со машината за садови се додава специјално изработена заштитна фолија. За да видите како да ја монтирате заштитната фолија, погледнете го УПАТСТВОТО ЗА ИНСТАЛАЦИЈА.

Оваа функција е стандардно активна, но можно е да се деактивира „МЕНИ ЗА ПОСТАВКИ“.

ЗАТВОРЕН ВЕНТИЛ ЗА ВОДА - Аларм - Трепка, кога нема доводна вода или е затворен вентилот за вода.

ОТСТРАНУВАЊЕ БИГОР - Аларм - Детектиран е бигор на внатрешните компоненти на апаратот. Проверете дали **Поставката за Тврдост на Водата** е со точната вредност и дали има сол во садот за сол (види ПРВА УПОТРЕБА), потоа **употребете производ за отстранување бигор** (се препорачува брендот WPro) со програмата **Самочистење**. По успешно отстранување бигор, иконата ќе исчезне од екранот. Ако не се извршат горенаведените дејства, перформансите на производот ќе се влошат.

Ќе почне да трепка предупредувањето за Отстранување бигор и на екранот ќе се појави аларм «dES». Ако сè уште не се преземе никакво дејство, апаратот ќе дозволи да се стартуваат само одреден број на циклуси (означено при приказот на алармот «dES») и потоа ќе се **БЛОКИРА** за да се спречи оштетување на компонентата, **каде ќе биде достапна само програмата Самочистење**. Со целосно отстранување на бигорот, производот ќе се деблокира. Во случај на екстремно високи количества бигор, можеби отстранувањето ќе треба да се повтори за да биде ефикасно.

ПОЛНЕЊЕ НА РЕШЕТКИТЕ

РЕШЕТКА ЗА ПРИБОР ЗА ЈАДЕЊЕ

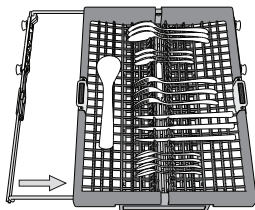
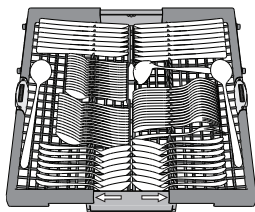
Третата решетка е наменета за приборот за јадење.

Наредете го приборот за јадење како што е прикажано на сликата.

Посебното распоредување на приборот за јадење го олеснува собирањето по миењето и ги подобрува перформансите на миење и сушење.

Ножевите и другите прибори со остри рабови мора да бидат поставени со сечилата свртени надолу.

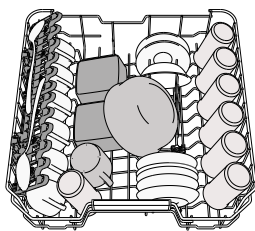
Корпата за прибор за јадење е опремена со две лизгачки странични решетки за максимално искористување на висината на просторот долу и за ставање високи предмети на горната решетка.



ГОРНА РЕШЕТКА

Ставете деликатни и лесни садови: чаши, шолји, тацни, ниски чинии за салата.

Горната решетка има држачи за навртување кои може да се користат во вертикална положба кога се поставуваат тацни за чај/десерт или во пониска положба за поставување длабоки садови и садови за храна.



(пример за полнење на горната решетка)

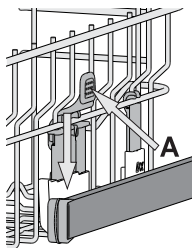
Прилагодување на висината на горната решетка

Висината на горната решетка може да се прилагоди: висока положба за ставање гломазни садови во долната корпа и ниска положба за максимално искористување на држачите за навртување со создавање повеќе простор нагоре и избегнување судир со предметите ставени на долната решетка.

Горната решетка е опремена со **Регулатор на Висината** (види слика), без притискање на рачките, подигнете го со едноставно држење на страните на решетката, штом решетката е стабилна на повисоката положба. За да ја вратите на пониската положба, притиснете ги рачките **A** на страните на решетката и поместете ја корпата надолу.

Препорачуваме да не ја прилагодувате висината на решетката кога е наполнета.

НИКОГАШ не кревајте ја или спуштајте ја корпата само од едната страна.



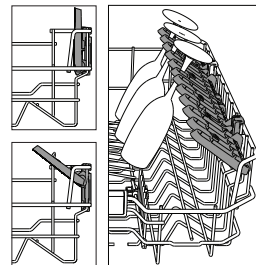
КАПАЦИТЕТ: 15 стандардни поставки за садови

Преклопливи клапи со прилагодлива положба

Страничните преклопни клапи може да се преклопат или расклопат за да се оптимизира распоредот на садовите на решетката. Чашите за вино може безбедно да се стават на преклопните клапи со вметнување на стеблото на секоја чаша во соодветните отвори.

Во зависност од моделот:

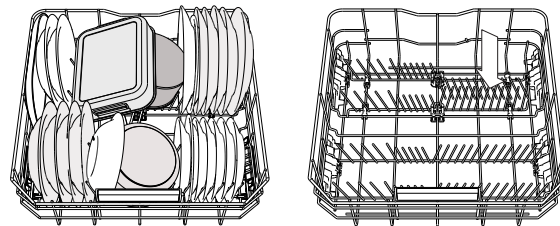
- за да се расклопат клапите, потребно е да се лизнат нагоре и да се ротираат или да се ослободат од прицврстувачите и да се повлечат надолу;
- за да ги преклопите клапите, потребно е да ги ротирате и да ги лизнете клапите надолу или да ги повлечете нагоре и да ги закачите клапите на прицврстувачите.



ДОЛНА РЕШЕТКА

За тенџериња, капаци, чинии, чинии за салата, прибор за јадење итн. Големите чинии и капаци може идеално да се постават на страните за да не се попречи кракот на прскалката.

Долната решетка има држачи за навртување кои може да се користат во вертикална положба кога се поставуваат чинии или во хоризонтална положба (пониска) за лесно да се постават тавите и чиниите за салата.



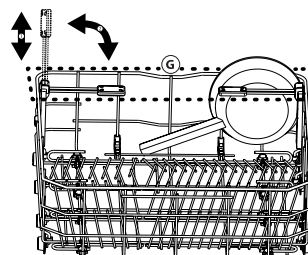
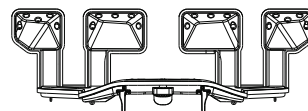
(пример за полнење на долната решетка)

POWER CLEAN®

Power Clean® ги користи специјалните млазници за вода во задниот дел на шуплината за поинтензивно миење на многу валканиите садови. Долната решетка има Space Zone, специјална потпора за извлекување во задниот дел на решетката што може да се користи за потпирање тавчиња за пржење или тави за печење во исправена положба, со што ќе заземаат помалку простор. Кога ќе ги ставите тенџерињата/тепсиите свртени кон компонентата Power Clean®, активирајте **POWER CLEAN®** на панелот.

Како да го користите Power Clean®:

1. Прилагодете го делот **G** за Power Clean® така што ќе ги преклопите држачите на задните плочи за да ги ставите тенџерињата.
2. Ставете ги тенџерињата и тепсиите вертикално во делот Power Clean®. Тенџерињата треба да бидат свртени кон моќните млазници.



ГРИЖА И ОДРЖУВАЊЕ

ЧИСТЕЊЕ НА СКЛОПОТ НА ФИЛТЕРОТ

Редовно чистете го склопот на филтерот за да не се затнат филтрите и правилно да истекува отпадната вода.

Користењето на машината за садови со затнати филтри или страни предмети во системот за филтрирање или прскалките може да предизвика дефект што ќе резултира со губење на перформансите на машината, бучна работа или поголема потрошувачка на ресурси.

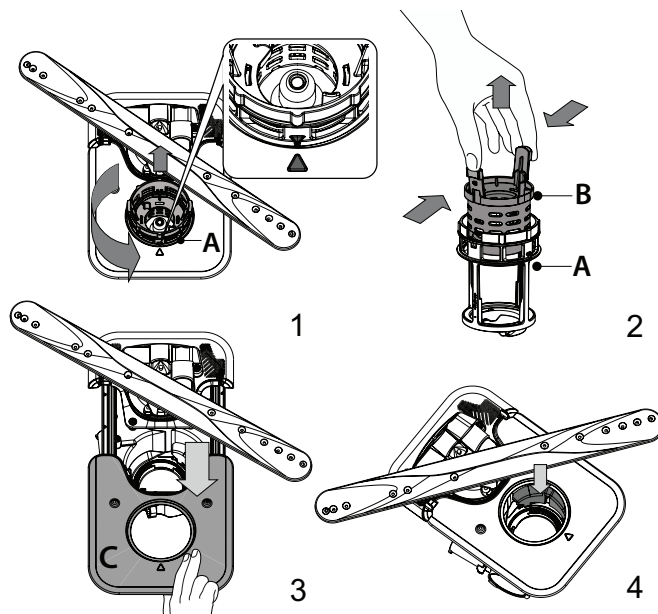
Склопот на филтерот се состои од три филтри кои ги отстрануваат остатоците од храна од водата за миеење и потоа ја рециркулираат водата.

Машината за садови не смее да се користи без филтри или ако филтерот е лабав.

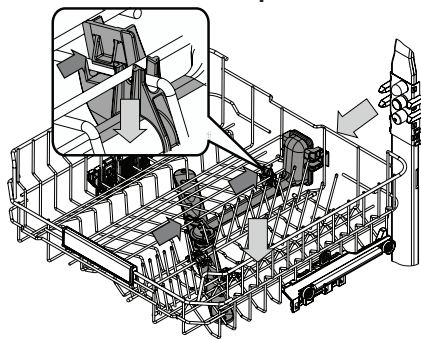
Најмалку еднаш месечно или по секои 30 циклуси, проверете го склопот на филтерот и доколку е потребно исчистете го темелно под проточна вода, користејќи неметална четка и следејќи ги упатствата подолу:

1. Свртете го цилиндричниот филтер **A** налево и извлекете го (слика 1). **Важно е при повторното поставување на филтерот да се спојат двата триаголници прикажани на сликата.**
2. Извадете го длабокиот филтер **B** со мал притисок врз страничните клапи (слика 2).
3. Извлекете го филтерот со плоча од не’рѓосувачки челик **C** (слика 3).
4. Во случај да најдете страни предмети (како скршено стакло, порцелан, коски, семки од овошје итн.) **внимателно извадете ги.**
5. Проверете ја мрежата и отстранете ги сите остатоци од храна. **НИКОГАШ НЕ ОТСТРАНУВАЈТЕ** ја заштитата на пумпата за циклус на миеење (прикажано со стрелка) (слика 4).

Откако ќе ги исчистите филтрите, заменете го склопот на филтерот и фиксирајте го во правилната положба; ова е од суштинско значење за одржување на ефикасното функционирање на машината за садови.

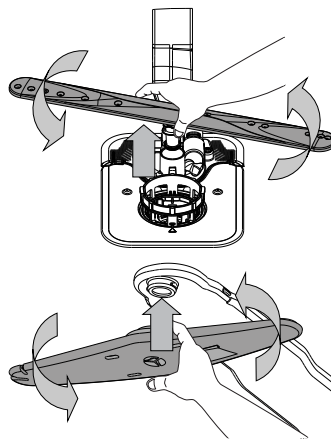


ЧИСТЕЊЕ НА КРАЦИТЕ НА ПРСКАЛИТЕ



Во некои случаи, остатоците од храна може да се натрупат на прскалките и да ги блокираат отворите за прскање на водата. Затоа се препорачува одвреме-навреме да ги проверувате краците и да ги чистите со мала неметална четка.

За да ја извадите горната прскалка, мора да го извадите и колекторот.



Долната прскалка може да се извади со повлекување нагоре и ротирање налево. Истата може повторно да се монтира со повлекување надолу и ротирање надесно.

Горната прскалка може да се извади со притискање нагоре и ротирање налево. Истата може повторно да се монтира со повлекување нагоре и ротирање надесно.

РЕШАВАЊЕ ПРОБЛЕМИ

Во случај вашата машина за садови да не работи правилно, проверете дали проблемот може да се реши со консултирање на следнава листа. За други грешки или проблеми, контактирајте со овластен постпродажен сервис чии податоци за контакт може да се најдат во гарантната книшка. Резервните делови ќе бидат достапни за период од 7 или до 10 години, во согласност со специфичните барања на регулативата.

ПРОБЛЕМИ	МОЖНИ ПРИЧИНИ	РЕШЕНИЈА
Индикаторот за сол свети	Резервоарот за сол е речиси празен.	Наполнете го резервоарот со сол (за повеќе информации – види ПОЛНЕЊЕ НА РЕЗЕРВОАРОТ ЗА СОЛ). Доколку е потребно проверете ја поставката за тврдост на водата (види табела ПОСТАВКИ ЗА ТВРДОСТ НА ВОДАТА).
Индикаторот за сол трепка	Резервоарот за сол е празен.	Наполнете го резервоарот со сол што е можно поскоро. Ако го користите апаратот без сол може да дојде до оштетување на внатрешните компоненти.
Индикаторот за средство за плакнење свети или трепка	Дозерот за средство за плакнење е празен. (Откако ќе дополните средство за плакнење, индикаторот може да свети уште некое време).	Наполнете го дозерот со средство за плакнење (за повеќе информации – види ПОЛНЕЊЕ НА ДОЗЕРОТ ЗА СРЕДСТВО ЗА ПЛАКНЕЊЕ).
Индикаторот за бигор свети или трепка; Се прикажува алармот „dES“.	Има бигор на внатрешните компоненти на апаратот.	Веднаш исчистете го апаратот од бигор со помош на програмата за Самочистење и со средство за чистење бигор (види ОПЦИИ И ФУНКЦИИ). Наполнете го резервоарот со сол. Проверете ја поставката за тврдост на водата. Ако апаратот не се исчисти од бигор, ќе престане да работи.
Машината за садови не се вклучува или не реагира на командите.	Апаратот не е правилно поврзан во струја.	Вклучете го кабелот во штекер.
	Нема струја.	Од безбедносни причини, машината за садови нема повторно да се вклучи автоматски кога ќе се врати струјата. Отворете ја вратата од машината за садови, притиснете на копчето СТАРТ/Пауза и затворете ја вратата во рок од 4 секунди.
	Вратата од машината за садови не е затворена. Игличката за NaturalDry не е вметната.	Силно туркајте ја вратата додека не слушнете „клик“.
	Циклусот се прекинува со отворање на вратата подолго од 4 секунди.	Притиснете на СТАРТ/Пауза и затворете ја вратата во рок од 4 секунди.
	Контролната табла не реагира или се прикажува F6 E1 .	Исклучете го апаратот со притискање на копчето ВКЛУЧУВАЊЕ-ИСКЛУЧУВАЊЕ/Ресетирање, повторно вклучете го по околу една минута и рестартирајте ја програмата. Ако проблемот не се реши, исклучете го апаратот 1 минута, а потоа повторно вклучете го.

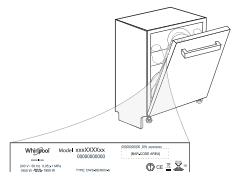
ПРОБЛЕМИ	МОЖНИ ПРИЧИНИ	РЕШЕНИЈА
Машината за садови не ја испушта водата. На екранот се прикажува: F7 E3 или F9 E1	Филтерот е затнат со остатоци од храна или бигор.	Исчистете го филтерот и исчистете го апаратот од бигор (види ЧИСТЕЊЕ НА СКЛОПОТ НА ФИЛТЕРОТ И ИНСТРУКЦИИ ЗА ЧИСТЕЊЕ БИГОР).
	Одводното црево е превиткано.	Проверете го одводното црево (види ИНСТРУКЦИИ ЗА ИНСТАЛАЦИЈА).
	Одводната цевка на лавабото е блокирана.	Исчистете ја одводната цевка на лавабото.
Машината за садови е многу бучна.	Садовите се удираат едни од други.	Правилно поставете ги садовите (види ПОЛНЕЊЕ НА РЕШЕТКИТЕ).
	Има големо количество пена.	Детергентот не е правилно измерен или не е погоден за употреба во машини за садови (види ПОЛНЕЊЕ НА ДОЗЕРОТ ЗА ДЕТЕРГЕНТ). Рестартирајте го моменталниот циклус така што ќе ја исклучите машината и повторно ќе ја вклучите, изберете нова програма, притиснете СТАРТ/Пауза и затворете ја вратата во рок од 4 секунди. Не ставајте детергент.
	Садовите не се правилно распоредени.	Правилно распоредете ги садовите (види ПОЛНЕЊЕ НА РЕШЕТКИТЕ).
	Филтерот е затнат со остатоци од храна или бигор.	Исчистете го склопот на филтерот (види ГРИЖА И ОДРЖУВАЊЕ).
Садовите не се чисти.	Садовите не се правилно распоредени.	Правилно распоредете ги садовите (види ПОЛНЕЊЕ НА РЕШЕТКИТЕ).
	Краците на прскалката не можат слободно да се ротираат поради садовите.	Правилно распоредете ги садовите (види ПОЛНЕЊЕ НА РЕШЕТКИТЕ). Проверете дали горната решетка е во правилна положба и прилагодете ја (подигнете ја) доколку е потребно.
	Циклусот на миене е премногу слаб.	Изберете соодветен циклус на миене (види ТАБЕЛА СО ПРОГРАМИ).
	Има големо количество пена.	Детергентот не е правилно измерен или не е погоден за употреба во машини за садови (види ПОЛНЕЊЕ НА ДОЗЕРОТ ЗА ДЕТЕРГЕНТ).
	Капачето на преградата за средство за плакнење не е правилно затворено.	Погрижете се правилно да го затворите капачето на дозерот за средство за плакнење.
	Филтерот е затнат со остатоци од храна или бигор.	Исчистете го филтерот и исчистете го апаратот од бигор (види ЧИСТЕЊЕ НА СКЛОПОТ НА ФИЛТЕРОТ).
Резервоарот за сол е празен.	Наполнете го резервоарот за сол (види ПОЛНЕЊЕ НА РЕЗЕРВОАРОТ ЗА СОЛ).	
Машината за садови не се полни со вода. На екранот се прикажува: H2O и ⚡ свети; се слуша звучен сигнал.	Нема вода во доводот за вода или вентилот е затворен.	Проверете дали има вода во доводот за вода и дали вентилот за вода е отворен.
	Цревото за довод на вода е превиткано.	Проверете го доводното црево (види ИНСТАЛАЦИЈА). Отворете ја вратата од машината за садови, притиснете на копчето СТАРТ/Пауза и затворете ја вратата во рок од 4 секунди.
	Решетката во цревото за довод на вода е затната; треба да ја исчистите.	Проверете ја и исчистете ја решетката во цревото за довод на вода. Отворете ја вратата од машината за садови, притиснете на копчето СТАРТ/Пауза и затворете ја вратата во рок од 4 секунди.
Машината за садови предвреме го завршува циклусот. На екранот се прикажува: F8 E3	Филтерот е затнат со остатоци од храна или бигор.	Исчистете го филтерот и исчистете го апаратот од бигор (види ЧИСТЕЊЕ НА СКЛОПОТ НА ФИЛТЕРОТ И ИНСТРУКЦИИ ЗА ЧИСТЕЊЕ БИГОР).
	Одводното црево е поставено премногу ниско или се влева во домашната канализација.	Проверете дали крајниот дел од одводното црево е поставен на правилната висина (види ИНСТАЛАЦИЈА). Проверете дали се влева во домашната канализација и ако треба, поставете блокада/вентил за довод на воздух.
	Има големо количество пена.	Детергентот не е правилно измерен или не е погоден за употреба во машини за садови (види ПОЛНЕЊЕ НА ДОЗЕРОТ ЗА ДЕТЕРГЕНТ).
	Има воздух во доводот за вода.	Проверете дали има протекувања или други проблеми во доводот на вода што доведува до навлегување воздух.
Садовите не се добро исушени.	Нема средство за плакнење или има многу мала количина.	Погрижете се дозерот за средство за плакнење да биде наполнет (види ПОЛНЕЊЕ НА ДОЗЕРОТ ЗА СРЕДСТВО ЗА ПЛАКНЕЊЕ). Повеќенаменските таблети, сами по себе, нема да обезбедат толку добри ефекти на сушење како употребата на течно средство за плакнење.
	Садовите се извадени откако вратата автоматски се отворила, но пред самиот крај на циклусот.	Проверете дали циклусот завршил пред да почнете со вадење на садовите (види СЕКОЈДНЕВНА УПОТРЕБА). За уште подобри резултати при сушењето, се препорачува да ги оставите садовите да седат во машината со отворена врата уште 15 минути по завршувањето на циклусот.
	Садовите се многу рамно поставени.	Ако забележите многу вода во шуплините на чашите, шолјите или чиниите, обидете се понакасо да ги поставите садовите (особено тие на горната решетка) за да дозволите да излезе поголемата количина на вода пред да започне сушењето.
	Избраниот циклус нема фаза на сушење.	Проверете во Табелата со програми дали избраната програма има фаза на сушење. Циклусот без фаза на сушење може да не ја даде посакуваната ефикасност на сушење, затоа се препорачува да го промените циклусот со циклус што има фаза на сушење.
Садовите се од нелеплив материјал или пластика.	Нормално е да останат неколку капки вода на овој тип материјали.	
Садовите и чашите имаат сини ленти или сини нијанси.	Надмината е дозата на средство за плакнење.	Прилагодете ја дозата на пониска поставка.
Садовите и чашите се покриени со бигор или белузлав слој.	Резервоарот за сол е празен.	Наполнете го резервоарот со сол што е можно поскоро. Ако го користите апаратот без сол може да дојде до оштетување на внатрешните компоненти.
	Поставката за тврдост на водата е на многу ниско ниво.	Зголемете ја поставката (види ТАБЕЛА ЗА ТВРДОСТ НА ВОДАТА).
	Капачето на резервоарот за сол не е правилно затворено.	Проверете и затворете го капачето на резервоарот за сол.
Резервоарот за средство за плакнење е празен или не е доволна дозата на средството за плакнење.	Наполнете го резервоарот со средство за плакнење и проверете ја поставката за дозирање (за повеќе информации – види ПОЛНЕЊЕ НА ДОЗЕРОТ ЗА СРЕДСТВО ЗА ПЛАКНЕЊЕ).	
На машината за садови се прикажува F8 E5	Вентилот е блокиран или неисправен.	Ако може, затворете го вентилот за вода. Не исклучувајте ја струјата. Јавете се во сервис.



Политики, стандардна документација, нарачка на резервни делови и дополнителни информации за производот може да се најдат на:

- Користете QR-код и посетете ја нашата веб-страница: docs.whirlpool.eu/docs
- Посетете ја нашата веб-страница: parts-selfservice.europeanappliances.com
- Алтернативно, контактирајте со нашиот Постпродажен сервис (види телефонски број во гарантниот лист). Кога ќе контактирате со нашиот постпродажен сервис, наведете ги шифрите дадени на идентификациската плочка на вашиот производ.

Информациите за моделот може да се преземат со користење на QR-кодот наведен на енергетската ознака. На ознаката е наведен и идентификаторот на моделот што може да се користи за да се консултира порталот на регистарот на <https://eprel.ec.europa.eu>





DANK U WEL VOOR UW AANKOOP VAN EEN WHIRLPOOL PRODUCT.

Voor verdere assistentie kunt u het apparaat registreren op:
www.whirlpool.eu/register

Lees vóór gebruik van het apparaat de veiligheids- en installatie-instructies zorgvuldig door. Meer informatie over uw product is te vinden op website: docs.whirlpool.eu/docs

Vergeet niet om na de installatie alle transportbeschermingen van de vaatwasser te verwijderen.

BEDIENINGSPANEEL

1. **AAN-UIT/Reset**-toets met controlelampje
2. Programmatoets **VORIGE**
3. Programmatoets **VOLGENDE**
4. Programmatoets **FAVORIETEN** met controlelampje
5. Controlelampje **zoutreservoir leeg**
6. Controlelampje **spoelglansmiddelreservoir leeg**
7. Controlelampje **ONTKALKEN**
8. Controlelampje **Gesloten Waterkraan**
9. **Display**
10. **Nummer programma** en controlelampje **resterende tijd**



11. Toets voor optie **Power Clean®** met controlelampje
12. Toets voor optie **Halve Lading** met controlelampje/**Instellingen** - 3 sec. indrukken
13. Toets voor optie **Extra Droog** met controlelampje
14. Toets voor optie **Uitstel** met controlelampje
15. Toets **START/Pauze** met controlelampje

EERSTE GEBRUIK

INSTELLING MENU

1. Het apparaat inschakelen door op de toets **AAN-UIT** (⏻) te drukken.
2. Houd de toets **Instellingen** (⚙️) (Halve Lading (⏻)) 3 seconden ingedrukt tot u een pieptoon hoort en **SET** op het display verschijnt.
3. Na één seconde verschijnt de eerste beschikbare instelling (letter **h**).
4. Druk op **VORIGE** < / **VOLGENDE** > om door de lijst met beschikbare instellingen te bladeren (zie onderstaande tabel) en druk vervolgens op **START/Pauze** ▶|| om de waarde van de geselecteerde instelling te bekijken of te wijzigen.
5. Druk op **VORIGE** < / **VOLGENDE** > om de waarde te veranderen, druk vervolgens op **START/Pauze** ▶|| om de nieuwe waarde op te slaan en terug te keren naar het hoofdmenu.
6. Herhaal punt 4 en 5 om andere instellingen te wijzigen.
7. Druk op **AAN-UIT** (⏻) of wacht 30 seconden om het menu te verlaten.

De fabrieksinstelling is "3" voor gemiddelde waterhardheid. Zie „TABEL WATERHARDHEID”.

Tabel waterhardheid			
Niveau	°dH Duitse graden	°fH Franse graden	°Clark Engelse graden
1 (zacht)	0 - 6	0 - 10	0 - 7
2 (gemiddeld)	7 - 11	11 - 20	8 - 14
3 (gemiddeld)	12 - 16	21 - 29	15 - 20
4 (hard)	17 - 34	30 - 60	21 - 42
5 (zeer hard)	35 - 50	61 - 90	43 - 62

LETTER	INSTELLING	WAARDEN (Standaard - vetgedrukt)
h	Waterhardheidsgraad (zie 'DE WATERHARDHEID INSTELLEN' en 'TABEL WATERHARDHEID')	1 2 3 4 5
f	Glansspoelmiddelpeil (zie 'DE DOSERING GLANSSPOELMIDDEL AANPASSEN')	0 1 2 3 4 5
o	NaturalDry (zie 'OPTIES EN FUNCTIES') '1' = Aan, '0' = Uit	1 0
l	Licht op de vloer (zie 'OPTIES EN FUNCTIES') '1' = Aan, '0' = Uit	1 0
s	Geluid '1' = Aan, '0' = Uit	1 0
i	Fabrieksinstellingen Druk op START/Pauze om alle waarden in het instellingenmenu terug te zetten naar de fabrieksinstellingen.	-

Volg de instructies in het hoofdstuk „INSTELLING MENU” om dit te wijzigen.

Gebruik alleen zout dat speciaal voor afwasmachines is bestemd.

Wanneer het zout in de machine is gestrooid wordt het lampje **ZOUT BIJVULLEN** uitgeschakeld.

Als het zoutreservoir niet gevuld wordt, kunnen de waterverzachter en het verwarmingselement beschadigd raken als gevolg van de accumulatie van ketelsteen.

Het gebruik van zout wordt aanbevolen met elk type vaatwasmiddel.

WATERVERZACHTEND SYSTEEM

Waterverzachters reduceren automatisch de waterhardheid en voorkomen bijgevolg ketelsteenvorming op de verwarmers en dragen bij tot een efficiëntere reiniging.

Dit systeem wordt automatisch met zout geregeneerd, u dient dus het zoutreservoir te vullen wanneer het leeg is.

De frequentie van de regeneratie hangt af van de instelling van het waterhardheidsniveau - de regeneratie wordt uitgevoerd om de **4-6** Eco-cyclussen met het waterhardheidsniveau ingesteld op **3**.

De regeneratie vindt plaats aan het begin van het programma met extra vers water.

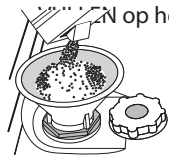
- Eén enkele regeneratie verbruikt: ~3 liter water;
- Doet de cyclus 5 minuten langer duren;
- Verbruikt minder dan 0,005 kWh energie.

HET ZOUTRESERVOIR BIJVULLEN

Het gebruik van zout voorkomt de vorming van **KALKAANSLAG** op het vaatwerk en op de functionele onderdelen van de machine.

Het zoutreservoir bevindt zich onderin de vaatwasser (onder het onderste rek aan de linkerkant).

- Het is noodzakelijk dat **het zoutreservoir nooit leeg is**.
- het is belangrijk dat de hardheid van het water wordt ingesteld.
- Zout moet worden bijgevoerd wanneer het controlelampje **ZOUT BIJVULLEN** op het bedieningspaneel brandt.



1. Verwijder het onderste rek en draai de dop van het reservoir los (linksom).
2. Plaats de trechter (zie afbeelding) en vul het zoutreservoir tot aan de rand (ongeveer 0,5 kg); het is niet ongebruikelijk dat er een beetje water uit lekt.
3. **Alleen de eerste maal dat u dit doet: vul het zoutreservoir met water.**

4. Verwijder de trechter en veeg alle zoutresten weg van de opening. Zorg ervoor dat de dop strak is aangedraaid, zodat geen vaatwasmiddel in de container kan komen tijdens het wasprogramma (dit kan de waterontharder onherstelbaar beschadigen).

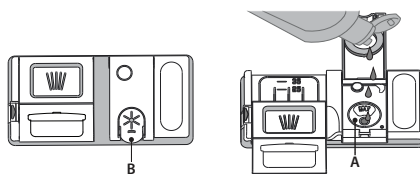
Draai altijd een programma zodra u het zoutreservoir heeft bijgevoerd om corrosie te voorkomen.

De waterhardheid instellen

Als u de waterontharder perfect wilt laten werken is het essentieel dat de instelling van de waterhardheid is gebaseerd op de werkelijke waterhardheid in uw huis. Deze informatie kan bij uw lokale waterleverancier worden opgevraagd.

HET GLANSSPOELMIDDELRESERVOIR BIJVULLEN

Glansspoelmiddel maakt het **DROGEN** van de vaat gemakkelijker. Het glansspoelmiddelreservoir **A** moet worden gevuld wanneer het controlelampje **GLANSSPOELMIDDEL BIJVULLEN** op het display brandt.



1. Open het doseerbakje **B** door de tab op het deksel in te drukken en omhoog te trekken.
2. Het glansspoelmiddel zorgvuldig inbrengen tot aan de maximum (110 ml) insteekgleuf van de vulruimte - voorkom morsen.

Wanneer dit gebeurt het gemorste glansspoelmiddel onmiddellijk met een droge doek reinigen.

3. Om het te sluiten het deksel naar beneden drukken totdat u een klik hoort. **Het glansspoelmiddel NOOIT rechtstreeks in de kuip gieten.**

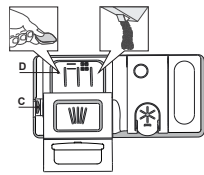
De dosering glansspoelmiddel aanpassen

Als u niet volledig tevreden bent over de droogresultaten kunt u de gebruikte hoeveelheid glansspoelmiddel aanpassen. Volg de instructies in het hoofdstuk „INSTELLING MENU” om dit te wijzigen. Als het niveau van het glansspoelmiddel is ingesteld op **NUL (ECO)** zal geen glansspoelmiddel worden afgegeven. Het controlelampje **LAAG GLANSSPOELMIDDEL** zal niet branden als het glansspoelmiddel op is.

Er kan een maximum van **6** niveaus worden ingesteld, afhankelijk van het model afwasmachine.

- Als u blauwe strepen op het vaatwerk ziet stel dan een laag getal in (0-3).
- Als er druppels water of kalkaanslag op het vaatwerk zijn stel dan een hoog getal in (4-5).

HET VAATWASMIDDELDOSEERBAKJE VULLEN



Gebruik de opening apparaat **C** om het vaatwasmiddeldoseerbakje te openen. Het vaatwasmiddel alleen in het droge doseerbakje **D** invoeren. Plaats de hoeveelheid vaatwasmiddel voor voorspoelen direct in de kuip.

DAGELIJKS GEBRUIK

1. WATERAANSLUITING CONTROLEREN

Controleer of de wasmachine is aangesloten op de waterleiding en of de waterkraan open is.

2. DE AFWASMACHINE INSCHAKELLEN

Open de deur en druk op de toets **AAN/UIT**.

3. DE REKKEN VULLEN (zie REKKEN VULLEN).

4. HET VAATWASMIDDELDOSEERBAKJE VULLEN

5. HET PROGRAMMA KIEZEN EN DE CYCLUS AANPASSEN

Kies het meest geschikte programma op basis van het soort serviesgoed en de vervuilingsgraad (zie *PROGRAMMABESCHRIJVING*) door de toets van het gekozen **VORIGE/VOLGENDE** in te drukken. Selecteer de gewenste opties (zie *OPTIES EN FUNCTIES*). Niet alle opties zijn compatibel met alle programma's.

6. START

Start het programma door op de toets **START/Pauze** te drukken en de deur binnen 4 sec. te sluiten. Wanneer het programma start hoort u een enkele piep. Als de deur niet binnen 4 seconden is gesloten, hoort u een geluid ter waarschuwing. Open in dat geval de deur, druk op de **START/Pauze**-toets en sluit de deur opnieuw binnen 4 sec.

7. EINDE VAN HET WASPROGRAMMA

Het einde van de wascyclus wordt aangegeven met een geluid en op de display is **END** te zien. Open de deur en schakel het apparaat uit door op de toets **AAN/UIT** te drukken.

Een paar minuten wachten voordat het serviesgoed wordt verwijderd - om brandwonden te voorkomen. De rekken uitladen, te beginnen met het onderste rek.

ADVIEZEN EN TIPS

ADVIEZEN

Verwijder alvorens de manden te laden alle voedselresten uit het serviesgoed en leeg de glazen. **Het serviesgoed hoeft niet tevoren onder stromend water afgespoeld te worden.**

Het serviesgoed zo rangschikken dat het stevig op zijn plaats staat en niet omslaat; rangschik de containers met de openingen naar beneden gericht en de holle/bolle onderdelen schuin geplaatst, waardoor het water elk oppervlak kan bereiken en vrij kan stromen.

Waarschuwing: zorg ervoor dat deksels, grepen, platen en koekenpannen de sproeierarmen niet belemmeren bij het draaien.

Plaats geen kleine voorwerpen in de bestekmand.

Erg vervuild vaatwerk en pannen moeten in de onderste mand worden geplaatst, omdat in deze ruimte de watersproeiers sterker zijn en hogere wasprestaties hebben.

Zorg ervoor dat na het laden van het apparaat de sproeierarmen vrij kunnen draaien.

ONGESCHIKT SERVIESGOED

- Houten servies en bestek.
- Kwetsbare gedecoreerde glazen, artistiek handwerk en antiek serviesgoed. Hun decoraties zijn hier niet tegen bestand.
- Delen van synthetisch materiaal die niet bestand zijn tegen hoge temperaturen.
- Koperen en tinnen serviesgoed.
- Serviesgoed bevuild met as, was, smeervet of inkt.

De kleuren van glasdecoraties en aluminium/zilveren stukken kunnen wijzigen en vervagen tijdens het wasproces. Sommige soorten glas (bv. kristallen voorwerpen) kunnen na een aantal wascyclussen ook dof worden.

SCHADE AAN GLASWERK EN SERVIESGOED

- Gebruik alleen glas en porselein waarvan de fabrikant garandeert dat het veilig is voor de afwasmachine.
- Gebruik een zacht vaatwasmiddel dat geschikt is voor serviesgoed.
- Haal glazen en bestek uit de afwasmachine zodra het wasprogramma afgelopen is.

1. Raadpleeg bij het afmeten van het vaatwasmiddel de eerder vermelde informatie om de juiste hoeveelheid toe te voegen. In het doseerbakje **D** vindt u de aanwijzingen voor het doseren van het vaatwasmiddel.
2. Verwijder de resten vaatwasmiddel van de randen van het doseerbakje en sluit het deksel totdat het klikt.
3. Sluit het deksel van het vaatwasmiddeldoseerbakje door het omhoog te trekken tot het sluitingsmechanisme is vastgezet.

Het vaatwasmiddeldoseerbakje opent automatisch op het juiste moment, volgens het programma.

Het gebruik van vaatwasmiddelen die niet bedoeld zijn voor vaatwasmachines kan de slechte werking van het apparaat veroorzaken of het beschadigen.

EEN LOPEND PROGRAMMA WIJZIGEN

Als er een verkeerd programma geselecteerd is, kan het worden gewijzigd, mits het nog maar net begonnen is. **RESET** de machine: Houd de toets **AAN/UIT** langer dan 3 sec. ingedrukt. De machine wordt uitgeschakeld. **Het dashboard toont "0:01"**. Sluit de deur en wacht tot de afvoercyclus afgelopen is (ongeveer 1 minuut). Open de deur en schakel de machine weer in met de knop **AAN/UIT** en selecteer de nieuwe wascyclus en eventuele gewenste opties. Start het programma door op **START/Pauze** te drukken en de deur binnen 4 sec. te sluiten.

EXTRA SERVIESGOED TOEVOEGEN

Open de deur een klein stukje zonder de machine uit te schakelen, zorg dat er geen water uitspat (het controlelampje **START/Pauze** knippert) (**Let op: Hete stoom!**) en doe de vaat in de vaatwasser. Druk op de **START/Pauze**-toets en sluit de deur binnen 4 sec., de cyclus wordt hernomen vanaf het punt waarop het was onderbroken.

ONBEDOELDE ONDERBREKING

Als de deur wordt geopend of als de stroom uitvalt tijdens het programma, stopt het programma. **ALLEEN DOOR OP START/Pauze TE DRUKKEN** en de deur binnen 4 sec. te sluiten, gaat het programma weer verder vanaf het punt waarop het werd onderbroken.

TIPS VOOR ENERGIEBESPARING

- Wanneer de huishoudelijke vaatwasmachine gebruikt wordt volgens de aanwijzingen van de fabrikant, **verbruikt het wassen van vaatwerk in een vaatwasmachine gewoonlijk MINDER ENERGIE en water dan met de hand afwassen.**
- Om de efficiëntie van de vaatwasmachine te maximaliseren wordt aanbevolen om **de wascyclus eerst te starten wanneer de vaatwasmachine helemaal gevuld is.** De huishoudelijke vaatwasmachine vullen tot de hoeveelheid aangegeven door de fabrikant draagt bij tot het besparen van energie en water. Informatie over het correct laden van vaatwerk vindt u in het hoofdstuk **DE REKKEN VULLEN**. Als de machine gedeeltelijk is gevuld, wordt aanbevolen om de speciaal daarvoor bedoelde wasopties, indien voorzien, te gebruiken (Halve lading/ Zone Wash/ Multizone) en enkel geselecteerde rekken te vullen. De vaatwasmachine onjuist of overmatig vullen kan het gebruik van de hulpbronnen verhogen (zoals water, energie en tijd, en ook het geluidsniveau) en de reinigings- en droogprestaties verlagen.
- Vaatwerk vooraf met de hand spoelen verhoogt het water- en energieverbruik en wordt niet aanbevolen.

HYGIËNE

Om te voorkomen dat zich geur en afzetting ophoopt in de afwasmachine moet u ten minste één per maand een programma met hoge temperatuur laten draaien. Gebruik een theelepel vaatwasmiddel en laat het apparaat zonder lading draaien.

VOORZORGSMAATREGELEN BIJ VORST

Als het apparaat in een vertrek is geplaatst dat aan vorst kan worden blootgesteld, **moet al het water worden afgevoerd.** Draai de waterkraan dicht, koppel de toevoer- en afvoerslangen los en laat al het water er vervolgens uitstromen. **Zorg ervoor dat de waterontharder vol zit met opgelost regenererend zout in het zoutreservoir** om het apparaat te beschermen tegen temperaturen tot -20°C. Als het apparaat bij temperaturen onder nul is opgeslagen, moet het **minstens 24** uur op een omgevingstemperatuur van minimaal 5°C blijven staan alvorens het weer in te schakelen.

PROGRAMMATABEL

Programma	Beschrijving programma's	Drogen fase		Beschikbare functies *)	Duur van wasprogramma (h:min)**)	Waterverbruik (liter/cyclus)	Energieverbruik (kWh/cyclus)
		NaturalDry					
P1 Eco	Eco 50° - programma is geschikt voor het reinigen van normaal vervuild vaatwerk, dat voor dit gebruik het meest efficiënte programma is wat betreft de combinatie van energie- en waterverbruik en in overeenstemming is met de Europese Ecodesign-wetgeving. aangepast.	✓	✓		4:00	9,5	0,64
P2	Auto Intensief 65° - Automatisch programma voor zwaar vervuild vaatwerk en pannen.	✓	✓		2:25-3:10	15,5-24,5	1,30-1,70
P3	Auto Gemengd 55° - Automatisch programma voor normaal vuile vaat met opgedroogde etensresten.	✓	✓		1:20-3:00	7,5-19,5	0,75-1,20
P4	Auto Snel 50° - Automatisch programma voor normaal en licht vuile vaat. Het dagelijkse programma voor het optimaal reinigen en drogen in kortere tijd.	✓	✓		1:00-1:50	7,5-15,5	0,70-1,10
P5	Snel 45° - Programma dat kan worden gebruikt voor een halve lading licht vervuilde vaat zonder opgedroogde etensresten. Heeft geen droogfase.	-	✓		0:30-0:40	10-12	0,55-0,65
P6	Kristallen 45° - Programma voor kwetsbare stukken die gevoelig zijn voor hoge temperaturen, bijvoorbeeld glazen en kopjes.	✓	✓		1:40-1:50	12,5-16,5	0,95-1,20
P7	Stil 55° - Geschikt voor werking van het apparaat in de nacht. Garandeert een optimale reinigende en drogende werking met de laagste geluidsemissie.	✓	✓		3:50-4:10	10,5-14,5	0,80-1,15
P8	Desinfecterende 65° - Normaal of sterk vervuild serviesgoed, met extra antibacteriële afwasfase. Kan gebruikt worden voor het uitvoeren van onderhoud aan de afwasmachine.	✓	-		1:55-2:10	12-19	1,40-1,80
P9	Voorspoelen - Gebruikt om servies vochtig te houden dat later gewassen moet worden. Met dit programma wordt er geen vaatwasmiddel gebruikt.	-	✓		0:12	4,5	0,10
P10	Zelfreinigend 65° - Programma te gebruiken voor het onderhoud van de afwasmachine, wordt enkel uitgevoerd wanneer de afwasmachine LEEG is met gebruik van specifieke reinigingsmiddelen die speciaal ontworpen zijn voor het onderhoud van de afwasmachine.	-	-		1:15	11,0	1,10

De gegevens van het ECO-programma worden gemeten onder laboratoriumomstandigheden, volgens de Europese norm EN 60436:2020. Aanwijzing voor de Proeflaboratoria: Voor gedetailleerde informatie over de omstandigheden van de EN-vergelijkingstest kunt u contact opnemen met: dw_test_support@whirlpool.com

Voorbehandeling van het vaatwerk vóór de programma's is niet nodig.

*) Niet alle opties kunnen tegelijkertijd gebruikt worden.

**) Waarden aangegeven voor andere programma's dan het Eco-programma zijn slechts indicatief. De werkelijke tijd is afhankelijk van vele factoren, zoals de temperatuur en de druk van het toevoerwater, de kamertemperatuur, hoeveelheid vaatwasmiddel, de hoeveelheid en soort lading, evenwicht van de lading, extra gekozen opties en de kalibratie van de sensor. De kalibratie van de sensor kan de duur van het programma met max. 20 min. verlengen.

OPTIES EN FUNCTIES

OPTIES kunnen na het kiezen van het programma direct worden in-/uitgeschakeld door op de betreffende toets te drukken (het indicatorlampje gaat branden, indien beschikbaar) (zie BEDIENINGSPANEEL). Als een optie niet compatibel is met het geselecteerde programma (zie PROGRAMMATABEL) gaat de bijbehorende LED 3 keer snel knipperen en klinken er pieptonen. De optie wordt niet ingeschakeld. Een optie kan de tijd of het water- of energieverbruik voor het programma wijzigen.

POWER CLEAN® - Dankzij de extra krachtige stralen biedt deze functie een intensievere en krachtigere afwascyclus op de betreffende plek in het onderste reka. Deze functie wordt aanbevolen voor het afwassen van pannen en ovenschalen. (Zie het gedeelte over Power Clean®).

HALVE LADING - Als er niet veel vaat moet worden gewassen, wordt de functie HALVE LADING gebruikt om water, elektriciteit of tijd te besparen, afhankelijk van het gekozen programma.

Vergeet niet om de hoeveelheid vaatwasmiddel te verminderen.

EXTRA DROOG - Een hogere temperatuur en langere droogfase na de laatste speelbeurt helpen de vaat beter te drogen. De EXTRA DROOG optie verlengt het wasprogramma.

UITSTEL - De start van het programma kan worden uitgesteld voor een periode tussen 0:30 en 24 uur.

- Selecteer het programma en eventuele gewenste opties. Druk (meerdere keren) op de UITSTEL-toets om de start van het programma uit te stellen. Instelbaar van 0:30 tot 24 uur. Zodra de instelling van 24 uur is bereikt, drukt u nogmaals op de toets UITSTEL om de functie uit te schakelen.
- Druk op de toets START/Pauze en sluit binnen 4 seconden de deur de timer begint met aftellen.
- Wanneer deze tijd verstreken is wordt het controlelampje uitgeschakeld en begint het programma automatisch.

Zodra er een programma is gestart kan de UITSTEL-functie niet worden ingesteld.

NaturalDry - Een convectiedroogstelsysteem dat de deur tijdens/na de droogfase automatisch opent voor buitengewone droogprestaties, elke dag weer. De deur gaat open bij een temperatuur die veilig is voor uw keukenmeubelen, dus niet wanneer de optie ANTIBACTERIEEL SPOELEN is ingeschakeld. Als extra bescherming tegen stoom wordt een speciaal ontworpen beschermingsfolie bij de vaatwasser geleverd. Raadpleeg het INSTALLATIE-BOEKJE om te zien hoe u de beschermingsfolie aanbrengt. Deze functie is standaard actief, maar kan worden uitgeschakeld in het "INSTELLING MENU".

WAARNEMEN - Wanneer de sensor meet hoe vuil de vaat is, verschijnt er een animatie op het display (ongeveer 20 min.) en wordt de programmaduur aangepast. Bij het waarnemen wordt gekeken hoe vuil de vaat is. Dit kan worden gebruikt bij alle programma's (behalve Eco) waarbij het programma dienovereenkomstig wordt aangepast.

WATERTOEOVER GESLOTEN - Alarm - Knippert wanneer er geen watertoevoer is of de waterkraan gesloten is.

FAVORIETEN - De mogelijkheid om uw favoriete programma op te slaan voor handiger gebruik. Selecteer met de knop VORIGE/VOLGENDE het programma en houd vervolgens de favorieten knop 3 seconden ingedrukt.

ONTKALKEN – Alarm - Er is kalkaanslag geconstateerd op interne onderdelen van het apparaat. **Controleer of de waterhardheid** juiste is ingesteld en of er **zout** in het zoutreservoir zit (zie **EERSTE GEBRUIK**). **Gebruik vervolgens een ontkalkingsmiddel** (het merk WPro wordt aanbevolen) met het programma **Zelfreinigen**. Na een succesvolle ontkalking wordt het symbool niet meer weergegeven.

Als de bovenstaande handelingen niet worden uitgevoerd, zal het apparaat minder goed werken. De waarschuwing 'Ontkalken' begint te knipperen en op het display verschijnt 'dES'. Als er nog steeds niet wordt ingegrepen, start het apparaat nog slechts enkele malen op (aangegeven met 'dES' op het display). Hierna start het apparaat niet meer om schade aan onderdelen te voorkomen. **Alleen het programma Zelfreinigen is nog beschikbaar**. Pas na een volledige ontkalking start het apparaat weer. Bij extreem veel kalkaanslag kan het nodig zijn om twee keer te ontkalken.

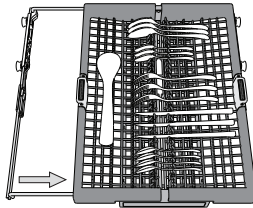
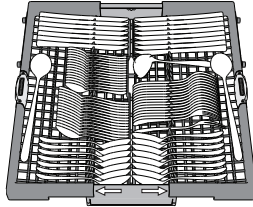
REKKEN VULLEN

BESTEKLADE

Het derde rek werd ontworpen om het bestek te herbergen. Rangschik het bestek zoals op de afbeelding. Een aparte rangschikking voor het bestek maakt het oppakken na de afwas eenvoudiger en verbetert de was- en droogprestaties.

Messen en andere gebruiksvoorwerpen met scherpe randen moeten worden geplaatst met de punten naar beneden gericht.

De bestekmand is uitgerust met twee schuifbladen, om optimaal gebruik te maken van de hoogte van de ruimte eronder en om het laden van hoge items in het bovenste rek mogelijk te maken.

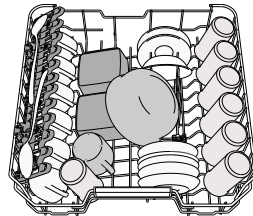


BOVENSTE REK

Laden van kwetsbaar en licht vaatwerk: glazen, kopjes, schoteltjes, lage saladekommen.

Het bovenste rek heeft opklapbare steunen die in een verticale positie kunnen worden gebruikt bij het schikken van thee/dessertschoteltjes of in een lagere positie om kommen en schalen te laden.

(laadvoorbeeld voor het bovenste rek)



De hoogte van het bovenste rek afstellen

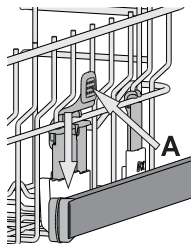
De hoogte van het bovenste rek kan worden afgesteld: hoge stand voor groot serviesgoed in de onderste mand en lage stand om optimaal gebruik te maken van de opklapbare steunen, door het creëren van meer ruimte naar boven en botsen met de items die in het onderste rek zijn geladen te voorkomen.

Het bovenste rek is uitgerust met een **hoogteversteller bovenste rek** (zie afbeelding), zonder op de hefboomen te hoeven drukken, opheffen door gewoon de zijkanten van het rek vast te houden, zodra het rek stabiel in de bovenste positie staat.

Voor herstellen naar de lagere positie op de hefboomen **A** aan de zijkanten van het rek drukken en de mand naar beneden verplaatsen.

Het is raadzaam de hoogte van het rek niet aan te passen wanneer het is geladen.

NOOIT de mand slechts aan één kant verhogen of verlagen.

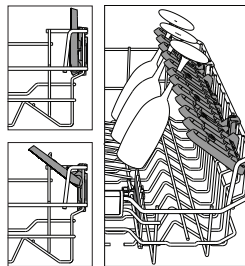


Opvouwbare kleppen met verstelbare stand

De opvouwbare kleppen aan de zijkant kunnen worden opgevouwen of opengevouwen voor een optimale rangschikking van het serviesgoed in het rek.

Wijn glazen kunnen veilig in de opvouwbare kleppen worden geplaatst door de steel van elk glas in de overeenkomstige sleuven in te voeren. Afhankelijk van het model:

- om de kleppen open te vouwen moet u ze omhoog schuiven en roteren of ze losmaken van de klemmen en omlaag trekken.
- om de kleppen op te vouwen moet u ze roteren en omlaag schuiven of ze omhoog trekken en aan de klemmen vastmaken.

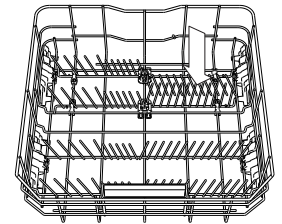
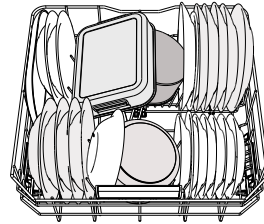


CAPACITEIT: 15 standaard couverts

ONDERSTE REK

Voor potten, deksels, platen, saladekommen, bestek enz. Grote platen en deksels moeten idealiter aan de zijkanten worden geplaatst, om aanraking met de sproeierarmen te voorkomen.

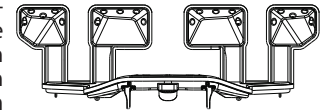
Het onderste rek heeft opklapbare steunen die in een verticale positie kunnen worden gebruikt bij het schikken van platen of in een horizontale positie (lager) om pannen en saladekommen te laden.



(laadvoorbeeld voor het onderste rek)

POWERCLEAN®

PowerClean® maakt gebruik van speciale waterstralen aan de achterzijde van de ruimte voor een intensievere reiniging van zeer vuile items. Het onderste rek heeft een lege ruimte, een speciale uittrekbare steun aan de achterzijde van het rek, die kan worden gebruikt ter ondersteuning van koekenpannen of braadpannen in verticale positie, zodat ze minder ruimte in beslag nemen.

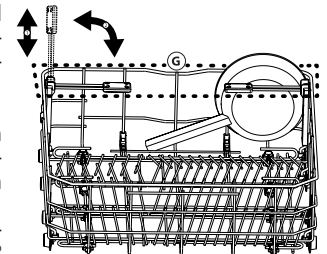


Activeer **POWER CLEAN®** op het paneel tijdens het plaatsen van de pannen / ovenschalen tegenover het PowerClean® component.

PowerClean® gebruiken:

1. Pas het Power Clean® gebied (G) aan door de achterste bordenhouders omlaag te klappen om potten en pannen te laden.

2. Laad potten, pannen en schalen verticaal gekanteld in het Power Clean® gebied. Potten en pannen moeten naar de krachtige waterstralen toe gekanteld worden.



REINIGING EN ONDERHOUD

HET FILTERSISTEEM REINIGEN

Reinig het filtersysteem regelmatig, zodat de filters niet verstopten en het afvalwater correct weg stroomt.

Het gebruik van vaatwasmachines met verstopte filters of vreemde voorwerpen in het filtersysteem of de sproeiarmen kan de slechte werking ervan en bijgevolg lagere prestaties, lawaai of een hoger verbruik van hulpbronnen veroorzaken.

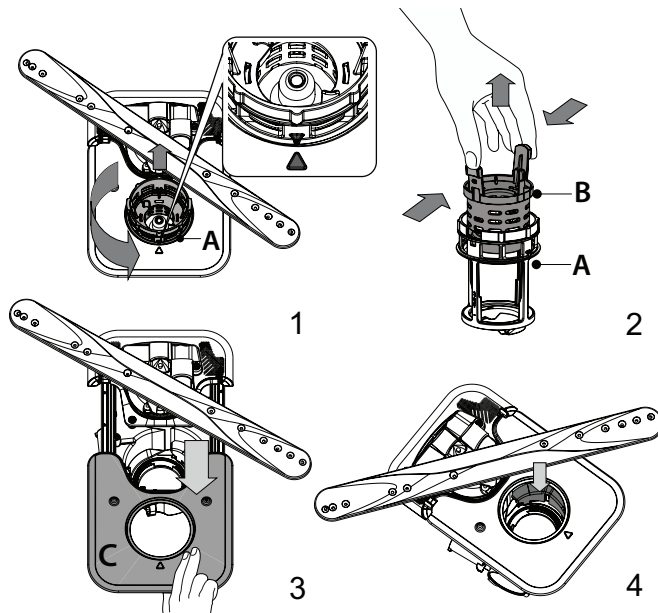
Het filtersysteem bestaat uit drie filters die voedselresten uit het afwaswater verwijderen en vervolgens het water opnieuw laten circuleren.

De afwasmachine mag niet worden gebruikt zonder filters of als het filter is losgeraakt.

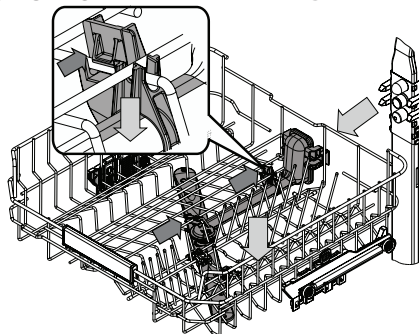
Controleer tenminste eens per maand of na elke 30 cyclussen het filtersysteem en reinig het eventueel grondig onder stromend water, met een niet-metalen borstel en volgens de onderstaande instructies:

1. Draai het cilindrische filter **A** linksom en trek het uit (Afb. 1). **Bij het terugplaatsen van het filter is het belangrijk dat de twee driehoeken die op de vergroting zijn aangegeven, elkaar raken.**
2. Verwijder het houderfilter **B** door licht op de zijkleppen te drukken (Afb. 2).
3. Schuif de roestvrij stalen plaat filter **C** er uit (Afb. 3).
4. Als u vreemde voorwerpen vindt (gebroken glas, porselein, beenderen, zaden van vruchten, enz.), **verwijdert u ze zorgvuldig.**
5. Inspecteer de sifon en verwijder eventuele voedselresten. **VERWIJDER NOOIT** de pompbescherming van het wasprogramma (aangegeven door de pijl) (Afb. 4).

Na het schoonmaken van het filter het filtersysteem opnieuw plaatsen en goed op zijn plaats zetten; dit is essentieel voor het behoud van de efficiënte werking van de afwasmachine.

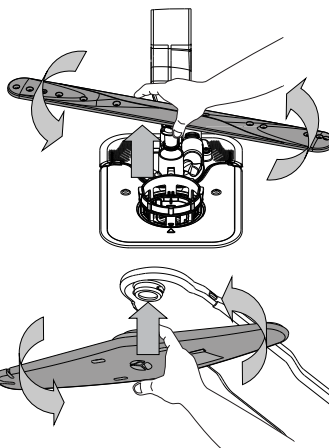


DE SPROEIERARMEN REINIGEN



Af en toe kunnen er voedselresten op de sproeiarmen vastzitten en worden de openingen voor het water sproeien geblokkeerd. Het is daarom raadzaam dat u de armen van tijd tot tijd controleert en ze met een kleine niet-metalen borstel schoonmaakt.

U kunt de bovenste sproeier alleen samen met het spuitstuk verwijderen.



De onderste sproeierarm kan worden verwijderd door het omhoog te trekken. Trek de sproeiarm omhoog en draai hem rechtsom om hem weer te bevestigen.

De bovenste sproeierarm kan worden verwijderd door deze omhoog te duwen en linksom te draaien. Trek de sproeiarm omhoog en draai hem rechtsom om hem weer te bevestigen.

PROBLEMEN OPLOSSEN

Als uw vaatwasmachine niet goed werkt, doorloopt u de onderstaande lijst om te controleren u of u het probleem kunt verhelpen. Voor andere fouten of problemen neemt u contact op met de bevoegde Consumentenservice, de contactgegevens ervan vindt u in de garantieboekje. Reserveonderdelen zijn beschikbaar voor een periode van maximaal 7 of maximaal 10 jaar, afhankelijk van de regels die van toepassing zijn.

PROBLEMEN	MOGELIJKE OORZAKEN	OPLOSSINGEN
De zoutindicator brandt	Zoutreservoir is bijna leeg.	Vul het reservoir met zout (voor meer informatie - zie HET ZOUTRESERVOIR BIJVULLEN). Controleer zo nodig de instelling van de waterhardheid - zie TABEL WATERHARDHEID.
De zoutindicator knippert	Zoutreservoir is leeg.	Vul het reservoir zo snel mogelijk met zout. Gebruik van het apparaat zonder zout kan de interne onderdelen beschadigen.
Glansspoelmiddelindicator brandt of knippert	Glansspoelmiddelbakje is leeg. (Na het bijvullen kan de glansspoelmiddelindicator nog even blijven branden).	Vul het reservoir met een glansspoelmiddel (zie - HET GLANSSPOELMIDDELRESERVOIR BIJVULLEN).
De ontkalkingsindicator brandt of knippert; het alarm „dES” wordt weergegeven.	Er zit kalkaanslag op de interne onderdelen van het apparaat.	Ontkalk het apparaat onmiddellijk met behulp van het Zelfreinigendprogramma en een in de handel verkrijgbaar ontkalkingsmiddel (zie OPTIES EN FUNCTIES). Vul het reservoir met zout. Controleer de instelling van de waterhardheid. Als het apparaat niet wordt ontkalkt, werkt het niet meer.
De afwasmachine start niet of reageert niet op opdrachten.	Het apparaat is niet goed aangesloten.	Steek de stekker in het stopcontact.
	Stroomuitval.	Om veiligheidsredenen start de vaatwasser niet automatisch opnieuw op wanneer de stroom weer beschikbaar is. Open de deur van de vaatwasmachine, druk op de START/Pauze-toets en sluit de deur binnen 4 sec.
	De deur van de afwasmachine is niet goed gesloten. De pin NaturalDry is niet ingetrokken.	De deur krachtig aanduwen totdat u de „klik” hoort.
	Een programma wordt onderbroken als de deur langer dan 4 seconden wordt geopend.	Druk op START/Pauze en sluit de deur binnen 4 seconden.
	Het bedieningspaneel reageert niet of F6 E1 wordt weergegeven.	Schakel het apparaat uit door op de toets AAN/UIT/Reset te drukken, schakel het na ongeveer een minuut weer in en start het programma opnieuw. Als het probleem niet is verholpen, trekt u de stekker van het apparaat 1 minuut uit het stopcontact en plaatst u hem weer terug.

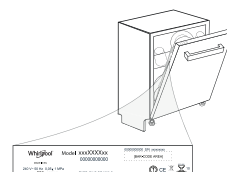
PROBLEMEN	MOGELIJKE OORZAKEN	OPLOSSINGEN
De afwasmachine pompt niet af. Weergave op het display: F7 E3 of F9 E1	Filter is verstopt met voedselresten of kalkaanslag.	Reinig het filter en ontkalk het apparaat (zie <i>HET FILTERSYSTEEM REINIGEN en ONTKALKEN</i>).
	Er zit een knik in de afvoerslang.	Controleer de afvoerslang (zie <i>AANWIJZINGEN VOOR INSTALLATIE</i>).
	De pijp van de gootsteenafvoer is geblokkeerd.	Reinig de pijp van de gootsteenafvoer.
De vaatwasser maakt veel lawaai.	Het serviesgoed rammelt tegen elkaar.	Rangschik het serviesgoed goed (zie <i>REKKEN VULLEN</i>).
	Er is te veel schuim aanwezig.	Het vaatwasmiddel is niet goed afgemeten of het is niet geschikt voor gebruik in afwasmachines (zie <i>HET VAATWASMIDDELDOSEERBAKJE VULLEN</i>). Start de actuele wascyclus opnieuw: schakel de afwasmachine UIT, vervolgens terug in, selecteer een nieuw programma, druk op START/Pauze en sluit de deur binnen 4 seconden. Voeg geen vaatwasmiddel toe.
	Het serviesgoed is niet goed gerangschikt.	Rangschik het serviesgoed goed (zie <i>REKKEN VULLEN</i>).
	Het filter is verstopt met voedselresten of kalkaanslag.	Reinig het filtersysteem (zie <i>REINIGING EN ONDERHOUD</i>).
Het vaatwerk is niet schoon.	Het serviesgoed is niet goed gerangschikt.	Rangschik het serviesgoed goed (zie <i>REKKEN VULLEN</i>).
	Sproeierarmen kunnen niet vrij draaien, ze worden door het serviesgoed belemmerd.	Rangschik het serviesgoed goed (zie <i>REKKEN VULLEN</i>). Controleer of het bovenste rek in de juiste stand staat en stel het zo nodig bij (optillen).
	Het wasprogramma is te zacht.	Selecteer een geschikt wasprogramma (zie <i>PROGRAMMATABEL</i>).
	Er is te veel schuim aanwezig.	Het vaatwasmiddel is niet goed afgemeten of het is niet geschikt voor gebruik in afwasmachines (zie <i>HET VAATWASMIDDELDOSEERBAKJE VULLEN</i>).
	De dop op het glansspoelmiddelcompartiment is niet goed afgesloten.	Zorg ervoor dat de dop van het glansspoelmiddelbakje is gesloten.
	Het filter is verstopt met voedselresten of kalkaanslag.	Reinig het filter en ontkalk het apparaat (zie <i>HET FILTERSYSTEEM REINIGEN</i>).
De afwasmachine vult zich niet met water. Op het scherm: H20 is verlicht; er klinkt een geluidsalarm.	Geen water in de watertoevoer of de kraan is gesloten.	Zorg ervoor dat er water in de watertoevoer komt en dat de kraan open staat.
	Er zit een knik in de toevoerslang.	Controleer de toevoerslang (zie <i>INSTALLATIE</i>). Open de deur van de vaatwasmachine, druk op de START/Pauze-toets en sluit de deur binnen 4 sec.
	De zeef in de watertoevoerslang is verstopt; het moet gereinigd worden.	Controleer en reinig de zeef in de watertoevoerslang. Open de deur van de vaatwasmachine, druk op de START/Pauze-toets en sluit de deur binnen 4 sec.
De vaatwasser beëindigt het programma voortijdig. Op het scherm: F8 E3	Filter is verstopt met voedselresten of kalkaanslag.	Reinig het filter en ontkalk het apparaat (zie <i>HET FILTERSYSTEEM REINIGEN en ONTKALKEN</i>).
	De afvoerslang zit te laag of hevelt naar de riolering.	Controleer of het uiteinde van de afvoerslang op de juiste hoogte is geplaatst (zie <i>INSTALLATIE</i>). Controleer of er naar het riool wordt geheveld en installeer zo nodig een hevelonderbreker/luchttoevoerklep.
	Er is te veel schuim aanwezig.	Het vaatwasmiddel is niet goed afgemeten of het is niet geschikt voor gebruik in afwasmachines (zie <i>HET VAATWASMIDDELDOSEERBAKJE VULLEN</i>).
	Lucht in de watertoevoer.	Controleer de watertoevoer op lekken of andere problemen die lucht binnenlaten.
Het serviesgoed is niet goed droog.	Er is geen spoelglansmiddel aanwezig of de dosering is te laag.	Zorg ervoor dat het spoelglansmiddelbakje gevuld is (zie <i>HET GLANSSPOELMIDDELRESERVOIR BIJVULLEN</i>). Met multifunctionele tabletten droogt het serviesgoed niet zo goed als wanneer er een vloeibaar spoelglansmiddel wordt gebruikt.
	Het serviesgoed is uit het apparaat gehaald nadat de deur automatisch werd geopend, maar vóór het einde van het programma.	Controleer of het programma is afgelopen voordat u het serviesgoed uit het apparaat haalt (zie <i>DAGELIJKS GEBRUIK</i>). Laat het serviesgoed nog 15 minuten met de deur open in de vaatwasser staan nadat het programma is afgelopen om het extra goed te laten drogen.
	Het serviesgoed is te vlak gerangschikt.	Als er water in de holtjes van kopjes, mokken of kommen blijft staan, probeer het serviesgoed dan schuiner te laden (vooral in het bovenste rek) zodat het water kan weglopen voordat het drogen begint.
	Het geselecteerde programma heeft geen droogfase.	Controleer in de <i>PROGRAMMATABEL</i> of het geselecteerde programma een droogfase heeft. Programma's zonder de droogfase drogen minder goed. Voor een goede droging is het raadzaam een programma met droogfase te kiezen.
	Het vaatwerk heeft een antiaanbaklaag of is van kunststof.	Het is normaal dat waterdruppels op dit soort materiaal achterblijven.
Er zitten blauwe strepen of blauwachtige tinten op het serviesgoed.	De dosering van glansspoelmiddel is te hoog.	Stel de dosering lager in.
Het serviesgoed is bedekt met kalk of een witachtige film.	Zoutreservoir is leeg.	Vul het reservoir zo snel mogelijk met zout. Gebruik van het apparaat zonder zout kan de interne onderdelen beschadigen.
	De waterhardheid is te laag ingesteld.	Verhoog de instelling (zie <i>TABEL WATERHARDHEID</i>).
	De dop van het zoutreservoir is niet goed gesloten.	Controleer en sluit de dop van het zoutreservoir.
	Het spoelglansmiddelreservoir is leeg of de spoelglansmiddeldosering is onvoldoende.	Vul het reservoir met spoelglansmiddel en controleer de doseerinstelling (zie - <i>HET GLANSSPOELMIDDELRESERVOIR BIJVULLEN</i>).
Op de vaatwasser staat F8 E5	De klep is geblokkeerd of defect.	Sluit de kraan, indien mogelijk. Schakel de voeding niet uit. Bel de klantenservice.



De bedrijfsregels, standaarddocumentatie, bestellen van onderdelen en aanvullende productinformatie kunt u vinden:

- Gebruik makend van de QR-code en op onze website: docs.whirlpool.eu/docs
- Op onze website: parts-selfservice.europeanappliances.com
- Anders, **contacteer onze Klantenservice** (Het telefoonnummer staat in het garantieboekje). Wanneer u contact neemt met de Klantenservice, gelieve de codes te vermelden die op het identificatieplaatje van het apparaat staan.

De modelinformatie kan gevonden worden aan de hand van de QR-code die op het energielabel aangegeven is. Het label bevat ook de model-ID die kan worden gebruikt om het portaal van het register te raadplegen op <https://eprel.ec.europa.eu>.





DZIĘKUJEMY ZA ZAKUP PRODUKTU WHIRLPOOL
Aby uzyskać kompleksową pomoc, prosimy zarejestrować urządzenie na stronie: www.whirlpool.eu/register.

Przed rozpoczęciem użytkowania urządzenia, należy uważnie przeczytać instrukcję bezpieczeństwa i instrukcję montażu. Więcej informacji na temat produktu można znaleźć na stronie internetowej: docs.whirlpool.eu/docs

⚠ Po instalacji prosimy pamiętać o wyjęciu ze zmywarki wszystkich elementów zabezpieczających w czasie transportu.

PANEL STEROWANIA

1. Przycisk i kontrolka **WŁ.-WYŁ./Reset**
2. Przycisk wyboru programu **POPZEDNI**
3. Przycisk wyboru programu **NASTĘPNY**
4. Przycisk i kontrolka wyboru programu **ULUBIONY**
5. Kontrolka **Brak soli**
6. Kontrolka **Brak płynu nablyszczającego**
7. Kontrolka **ODKAMIENIANIE**
8. Kontrolka **Zamknięty zawór wody**
9. **Wyświetlacz**
10. **Numer programu i wskaźnik pozostałego czasu**
11. Przycisk i kontrolka **opcji Power Clean®**



12. Przycisk i kontrolka **opcji Połowa Załadunku/ Ustawienia** - wcisnąć przycisku przez 3 sek.
13. Przycisk i kontrolka **opcji Dodatkowe Suszenie**
14. Przycisk i kontrolka **opcji Opóźnienie**
15. Przycisk i kontrolka **START/Pauza**

PIERWSZE UŻYCIĘ

MENU USTAWIEŃ

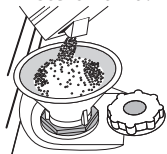
1. Włączyć urządzenie, naciskając przycisk **WŁ.-WYŁ.**
2. Nacisnąć i przytrzymać przycisk **Ustawienia** (Połowa Załadunku) przez 3 sekundy, do momentu aż rozlegnie się sygnał dźwiękowy a na wyświetlaczu pojawi się komunikat „**SEt**”.
3. Po jednej sekundzie wyświetli się pierwsze dostępne ustawienie (litera „**h**”).
4. Wcisnąć przycisk **POPZEDNI/NASTĘPNY**, aby przewinąć listę dostępnych ustawień (patrz tabela poniżej), następnie wcisnąć **START/Pauza** aby podejrzeć i zmienić wartość wybranego obecnie ustawienia.
5. Wcisnąć przycisk **POPZEDNI/NASTĘPNY**, aby zmienić wartość, następnie wcisnąć **START/Pauza** , aby zapisać nową wartość i wrócić do menu głównego.
6. Aby zmienić inne ustawienie, powtórzyć punkty 4 i 5.
7. Wcisnąć **WŁ.-WYŁ.** lub odczekać 30 sekund aby wyjść z menu.

LITERA	USTAWIENIE	WARTOŚCI (Domyślne - pogrubioną czcionką)
	Poziom twardości wody (patrz „ USTAWIENIE TWARDOŚCI WODY ” oraz „ TABELA TWARDOŚCI WODY ”)	1 2 3 4 5
	Poziom dozowania nablyszczacza (patrz „ REGULACJA DOZOWANIA PŁYNU NABLYSZCZĄCEGO ”)	0 1 2 3 4 5
	NaturalDry (patrz „ OPCJE I FUNKCJE ”) „1” = Wł., „0” = Wył.	1 0
	Dźwięk „1” = Wł., „0” = Wył.	1 0
	Ustawienia fabryczne Wcisnąć przycisk START/Pauza , aby przywrócić domyślne ustawienia fabryczne dla wszystkich wartości zawartych w menu ustawienia.	-

NAPEŁNIANIE ZBIORNIKA SOLI

Zastosowanie soli zapobiega tworzeniu się KAMIENIA na naczyniach i funkcjonalnych podzespołach zmywarki. Zbiornik soli jest zlokalizowany w dolnej części zmywarki (pod koszem dolnym po lewej stronie).

- Konieczne jest, aby **ZBIORNIK SOLI NIGDY NIE BYŁ PUSTY**.
- Ważne też jest odpowiednie ustawienie twardości wody.
- Należy uzupełnić sól, gdy kontrolka **BRAK SOLI** świeci się na panelu sterowania.



1. Wyjąć dolny kosz i odkręcić korek zbiornika (w kierunku przeciwnym do ruchu wskazówek zegara).
2. Umieścić lejek (patrz rys.) i wsypać sól aż do krawędzi zbiornika (około 0,5 kg); niewielki wyciek wody jest tu normalny.
3. **Tylko podczas wykonywania czynności po raz pierwszy: Napełnić zbiornik soli wodą.**

4. Wyjąć lejek i wytrzeć resztki soli wokół otworu. Upewnić się, czy korek jest mocno dokręcony, aby detergent nie mógł przedostać się do zbiornika podczas programu zmywania (mogłoby to spowodować nienaprawialne uszkodzenie zmiękczacza wody).

Za każdym razem, gdy tylko ukończone zostanie uzupełnianie soli, należy włączyć jeden z programów zmywania, aby zapobiec korozji.

Ustawienie twardości wody

Aby zmiękczacze wody działał idealnie, istotne jest ustawienie twardości wody na podstawie rzeczywistej twardości doprowadzanej wody.

Tę informację można uzyskać od lokalnego dostawcy wody. Zakład produkcyjny ustawia domyślną wartość „**3**” dla twardości wody. Zobacz „**TABELA TWARDOŚCI WODY**”.

Tabela twardości wody

Poziom	°dH St. niemieckie	°fH St. francuskie	°Clark St. brytyjskie
1 (miękką)	0 - 6	0 - 10	0 - 7
2 (średnia)	7 - 11	11 - 20	8 - 14
3 (przeciętna)	12 - 16	21 - 29	15 - 20
4 (twarda)	17 - 34	30 - 60	21 - 42
5 (bardzo twarda)	35 - 50	61 - 90	43 - 62

Aby zmienić ustawienie, należy wykonać czynności zgodnie z instrukcjami podanymi w rozdziale „MENU USTAWIEŃ”.

Należy stosować wyłącznie taką sól, która jest specjalnie przeznaczona do zmywarek.

Po wysypaniu soli do zmywarki kontrolka **BRAK SOLI** gaśnie.

Jeśli pojemnik z solą jest pusty, istnieje ryzyko uszkodzenia zmiękczacza wody oraz grzałki z powodu nagromadzenia osadu. Stosowanie soli jest zalecane z każdym rodzajem detergentu do zmywarek.

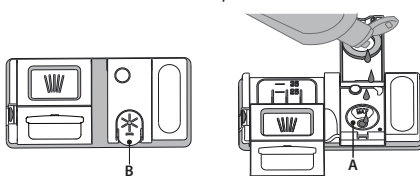
SYSTEM ZMIĘKCZANIA WODY

Zmiękczacze wody automatycznie zmniejsza twardość wody, tym samym zapobiegając nagromadzeniu osadu na grzałce co z kolei przyczynia się do większej wydajności zmywania. **System sam regeneruje się przy pomocy soli, zatem zbiornik soli należy uzupełniać jak tylko będzie pusty.** Częstotliwość regeneracji zależy od ustawienia poziomu twardości wody - regeneracja następuje raz na **4-6** cykli Eko, kiedy twardość wody ustawiona jest na poziom **3**. Proces regeneracji zachodzi na początku cyklu z dodatkową świeżą wodą.

- Podczas jednej regeneracji: ~Zużycie 3 L wody;
- Dodatkowe 5 minut cyklu;
- Zużycie poniżej 0,005 kWh energii elektrycznej.

NAPEŁNIANIE DOZOWNIKA PŁYNU NABLYSZCZĄCEGO

Płyn nablyszczający ułatwia **SUSZENIE** naczyń. Dozownik płynu nablyszczającego **A** powinien zostać napełniony, gdy kontrolka **BRAK PŁYNU NABLYSZCZĄCEGO** , świeci się na panelu sterowania.



1. Otworzyć dozownik **B**, naciskając i podnosząc klapkę na pokrywce.
2. Ostrożnie wlewać płyn nablyszczający, aż do kreski oznaczającej maksymalny poziom napełnienia (110 ml) - unikać rozlania płynu.

Jeśli tak się stanie, należy natychmiast wytrzeć rozlany płyn suchą szmatką.

3. Zatrzasnąć pokrywkę. **NIGDY nie wlewać płynu nablyszczającego bezpośrednio do komory zmywarki.**

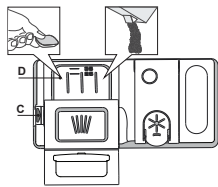
Regulacja dozowania płynu nablyszczającego

Jeśli rezultaty suszenia nie są w pełni zadowalające, można wyregulować dozowanie używanego płynu nablyszczającego.

Aby zmienić ustawienie, należy wykonać czynności zgodnie z instrukcjami podanymi w rozdziale „MENU USTAWIEŃ”.

Jeśli poziom dozowania płynu nablyszczającego został ustawiony na ZERO (EKO), płyn nablyszczający nie będzie dozowany. Kontrolka **BRAK PŁYNU NABLYSZCZĄCEGO** nie będzie świecić, jeśli zabraknie płynu nablyszczającego. Można ustawić maksymalnie **6** poziomów, zależnie od modelu zmywarki.

- Jeśli na naczyniach są widoczne niebieskawe smugi, należy ustawić niski poziom (0-3).
- Jeśli na naczyniach pozostają krople wody lub oznaki kamienia, należy ustawić wysoki poziom (4-5).



NAPEŁNIANIE DOZOWNIKA DETERGENTU
Aby otworzyć dozownik detergentu, użyć urządzenia do otwierania C. Detergent wsypywać/ wlewać tylko do suchego zasobnika D. Detergent przeznaczony do mycia wstępnego wsypywać/ wlewać bezpośrednio do komory zmywarki.

1. Odmierzając dawkę detergentu, należy uwzględnić informacje podane powyżej, aby dodana ilość detergentu była prawidłowa. Wewnątrz dozownika **D** znajdują się oznaczenia ułatwiające dozowanie detergentu.
 2. Przed zatrzaśnięciem pokrywy usunąć pozostałości detergentu z krawędzi dozownika.
 3. Zamknąwszy pokrywkę dozownika detergentu, pociągając ją w górę tak, aż urządzenie zamykające zostanie zablokowane na swoim miejscu. Dozownik detergentu otwiera się automatycznie w odpowiednim czasie, zgodnie z danym programem.
- Zastosowanie detergentów nieprzeznaczonych do użytku w zmywarkach może spowodować nieprawidłowe działanie lub uszkodzenie urządzenia.**

CODZIENNA EKSPLOATACJA

1. SPRAWDZENIE PRZYŁĄCZA WODY

Sprawdzić, czy zmywarka jest podłączona do instalacji wodnej i czy zawór wody jest otwarty.

2. WŁĄCZANIE ZMYWARKI

Otwórz drzwiczki i naciśnij przycisk **WŁ.-WYŁ.**

3. WKŁADANIE NACZYŃ DO KOSZA (patrz ŁADOWANIE KOSZY).

4. NAPEŁNIANIE DOZOWNIKA DETERGENTU

5. WYBÓR PROGRAMU I DOSTOSOWANIE CYKLU

Wybierz najbardziej odpowiedni program, dostosowany do typu naczyń stołowych i poziomu ich zabrudzenia (patrz **OPIS PROGRAMÓW**), naciskając przyciski **POPRIEDNI/NASTĘPNY**. Wybierz żądane opcje (patrz **OPCJE I FUNKCJE**). Nie wszystkie opcje są przystosowane do wszystkich programów.

6. START

Uruchom cykl zmywania naciskając przycisk **START/Pauza** (dioda LED świeci) i zamykając drzwiczki w przeciągu 4 sekund. Po uruchomieniu programu urządzenie wyemituje pojedynczy sygnał dźwiękowy. Jeśli drzwiczki nie zostaną zamknięte w przeciągu 4 sekund, rozlegnie się dźwięk alarmu. W takim przypadku otwórz drzwiczki, naciśnij przycisk **START/Pauza** i ponownie zamknij drzwiczki w przeciągu 4 sekund.

7. KONIEC CYKLU ZMYWANIA

Koniec cyklu zmywania jest sygnalizowany przez sygnał dźwiękowy oraz za pomocą komunikatu **END [KONIEC]** na wyświetlaczu. Otwórz drzwiczki i wyłącz urządzenie, naciskając przycisk **WŁ.-WYŁ.**. Przed wyjęciem naczyń odczekaj kilka minut - aby uniknąć oparzenia. Wyjmij naczynia, zaczynając od dolnego kosza.

ZMIANA URUCHOMIONEGO PROGRAMU

Jeżeli wybrany został niewłaściwy program, można go zmienić, pod warunkiem, że program dopiero się rozpoczął. **PONOWNE USTAWIENIE** maszyny: naciśnij i przytrzymaj przycisk **WŁ.-WYŁ.** przez ponad 3 sekundy i maszyna się wyłączy. **Na tablicy wskaźników wyświetli się komunikat „0:01”**. Zamknij drzwiczki i poczekać, aż zakończy się cykl spuszczenia wody (około 1 minuty). Otwórz drzwiczki i włącz z powrotem urządzenie za pomocą przycisku **WŁ.-WYŁ.** i wybrać nowy cykl zmywania oraz żądane opcje. Uruchom cykl, naciskając przycisk **START/Pauza** i zamykając drzwiczki w przeciągu 4 sekund.

DODAWANIE DODATKOWYCH NACZYŃ STOŁOWYCH

Bez wyłączania zmywarki lekko uchyl drzwiczki, aby uniknąć rozpryskiwania się wody na zewnątrz (dioda **START/Pauza** zaczyna migać) (**Uwaga! Gorąca para!**) i umieść naczynia wewnątrz zmywarki. Naciśnij przycisk **START/Pauza** i zamknij drzwiczki w przeciągu 4 sekund; cykl zostanie wznowiony od momentu, w którym został przerwany.

PRZYPADKOWE PRZERWANIE CYKLU

Jeżeli drzwiczki zostaną otwarte w trakcie trwania cyklu zmywania lub jeśli nastąpiła przerwa w dopływie prądu, cykl zostanie wstrzymany. Zamknij drzwiczki i **JEDYNIÉ WÓWCZAS, GDY** naciśniesz przycisk **START/Pauza** i zamkniesz drzwiczki w przeciągu 4 sekund, cykl będzie kontynuowany od momentu, w którym został przerwany.

PORADY I WSKAZÓWKI

PORADY

Przed włożeniem naczyń do kosza, należy usunąć wszystkie resztki jedzenia i opróżnić szklanki. **Nie trzeba ich wcześniej płukać pod bieżącą wodą.** Rozmieścić naczynia tak, aby były mocno utrzymywane na miejscu i nie mogły się przewrócić; pojemniki ułożyć tak, aby ich otwory były skierowane w dół, a wkłęsłe/wypukłe elementy były ustawione ukośnie, dzięki czemu woda będzie mogła docierać do każdej powierzchni i swobodnie przepływać.

Ostrzeżenie: pokrywki, uchwyty, tace i patelnie nie mogą uniemożliwiać obracania się ramion natryskowych.

Wszystkie małe przedmioty należy umieszczać w koszyku na sztućce.

Bardzo zabrudzone naczynia i patelnie powinny być umieszczane w dolnym koszu, ponieważ w tej części komory zmywarki strumienie wody są silniejsze i zmywanie jest bardziej skuteczne.

Po włożeniu naczyń do zmywarki trzeba sprawdzić, czy ramiona natryskowe mogą obracać się swobodnie.

NACZYŃ NIE NADAJĄCE SIĘ DO ZMYWANIA W ZMYWARKACH

- Naczynia i sztućce drewniane.
 - Szklanki z delikatnym zdobieniem, wyroby artystyczne lub naczynia artystyczne. Ich zdobienia nie są odporne.
 - Elementy z tworzywa sztucznego, które nie są odporne na wysokie temperatury.
 - Naczynia miedziane i cynowe.
 - Naczynia zabrudzone popiołem, woskiem, smarem lub tuszem.
- Kolory szklanych dekoracji oraz aluminiowe/srebrne części mogą zmienić się lub ściemnieć podczas zmywania. Niektóre rodzaje wyrobów szklanych (np. kryształ) mogą stracić przezroczystość po zbyt wielu cyklach zmywania.

USZKODZENIE NACZYŃ SZKLANYCH I PORCELANOWYCH

- W zmywarkach można myć tylko takie naczynia szklane i porcelanowe, których producent deklaruje, że są przeznaczone do zmywania.
- Używać delikatnego detergentu, przeznaczonego do porcelany
- Naczynia szklane i porcelanowe należy wyjmować ze zmywarki, jak tylko zmywanie się skończy.

WSKAZÓWKI DOTYCZĄCE OSZCZĘDZANIA ENERGII

- Jeśli zmywarka domowa użytkowana jest zgodnie z zaleceniami producenta, **zmywanie naczyń w zmywarce zazwyczaj pochłania MNIEJ ENERGII ELEKTRYCZNEJ i mniej wody niż zmywanie ręczne.**
- Aby maksymalnie zwiększyć wydajność zmywarki, **należy uruchamiać cykl zmywania po pełnym załadunku urządzenia.** Ładowanie zmywarki domowej w stopniu zalecanym przez producenta przyczyni się do oszczędności energii elektrycznej i wody. Informacje na temat prawidłowego ładowania naczyń w zmywarce można odnaleźć w rozdziale **ŁADOWANIE KOSZY**. W przypadku częściowego załadunku, zaleca się skorzystanie ze specjalnych opcji, jeśli są one dostępne (Połowa załadunku/ Zmywanie strefowe/ Wiele stref), zapewniając jedynie wybrane kosze. Nieprawidłowe lub nadmierne ładowanie zmywarki może spowodować zwiększenie zużycia mediów (np. wody, energii, czasu lub zwiększenie poziomu hałasu), co wpływa negatywnie na wydajność suszenia.
- Ręczne spłukiwanie naczyń przyczynia się do większego zużycia wody i energii elektrycznej i nie jest zalecane.

DEZYNFEKCJA ZMYWARKI

Aby uniknąć powstawania nieprzyjemnych zapachów i tworzenia się osadów, które mogą pojawić się w zmywarce, **należy co najmniej raz w miesiącu włączyć program z wysoką temperaturą.** Aby wyczyścić zmywarkę, należy wsypać/wlać jedną łyżeczkę detergentu i włączyć program bez wkładania naczyń.

ODPORNOŚĆ NA NISKIE TEMPERATURY

Jeśli urządzenie jest umieszczone w środowisku narażonym na ryzyko niskich temperatur, **należy je całkowicie opróżnić z wody.** Zamknij zawór wody i odłącz wąż doprowadzający wodę oraz wąż spustowy, a następnie pozwól na wypłynięcie z nich wody. **Sprawdź, czy ze zmiękczacza wody jest wypełniony rozpuszczoną solą regeneracyjną w zbiorniku soli,** aby chronić urządzenie przed temperaturami aż do -20 °C. Jeżeli urządzenie było przechowywane w warunkach niskich temperatur, przed pierwszym uruchomieniem musi ono pozostać w temperaturze otoczenia wynoszącej min. 5°C przez przynajmniej 24 godziny.

TABELA PROGRAMÓW

Program	Opis programów	Faza suszenia	Natural-Dry	Dostępne opcje *)	Czas trwania programu zmywania (godz.:min)**)	Zużycie wody (litry/cykl)	Zużycie energii (kWh/cykl)
P1 Eco	Eko 50° - program jest przeznaczony do mycia naczyń o zwykłym stopniu zabrudzenia; dla tego zastosowania jest to najbardziej wydajny program pod względem zużycia energii elektrycznej i wody oraz w takim zastosowaniu program ten uzyskał certyfikat zgodności z dyrektywą unijną Ecodesign.	✓	✓	POWER CLEAN 1/2 3 4 5 + 6 h	3:30	9,5	0,76
P2	Intensywny Automatemyczny 65° - Automatemyczny program do zmywania mocno zabrudzonych garnków i talerzy.	✓	✓	POWER CLEAN 1/2 3 4 5 + 6 h	2:25-3:10	15,5-24,5	1,30-1,70
P3	Mieszany Automatemyczny 55° - automatemyczny program do normalnie zabrudzonych naczyń z zaschniętymi resztkami jedzenia.	✓	✓	POWER CLEAN 1/2 3 4 5 + 6 h	1:20-3:00	7,5-19,5	0,75-1,20
P4	Szybki Automatemyczny 50° - automatemyczny program do średnio i lekko zabrudzonych naczyń. Cykl do codziennego stosowania, który zapewnia optymalne rezultaty zmywania i suszenia w krótszym czasie.	✓	✓	POWER CLEAN 1/2 3 4 5 + 6 h	1:00-1:50	7,5-15,5	0,70-1,10
P5	Szybki 45° - Program należy stosować przy połowie załadunku lub lekko zabrudzonych naczyniach, na których nie zalegają resztki jedzenia. Nie ma fazy suszenia.	-	✓	1/2 3 4 5 + 6 h	0:30-0:40	10,0-12,0	0,55-0,65
P6	Kryształ 45° - Program do mycia delikatnych naczyń, które są bardziej wrażliwe na wysoką temperaturę, np. szklanki i kubeczki.	✓	✓	1/2 3 4 5 + 6 h	1:40-1:50	12,5-16,5	0,95-1,20
P7	Cichy 55° - Odpowiedni do zmywania w nocy. Zapewnia optymalne rezultaty zmywania i suszenia przy najniższej emisji hałasu.	✓	✓	3 4 5 + 6 h	3:50-4:10	10,5-14,5	0,80-1,15
P8	Dezynfekujący 65° - Średnio lub bardzo zabrudzone naczynia, z dodatkowym działaniem antybakteryjnym. Można wykorzystywać do wykonania czynności związanych z konserwacją zmywarki.	✓	-	POWER CLEAN 1/2 3 4 5 + 6 h	1:55-2:10	12,0-19,0	1,40-1,80
P9	Mycie wstępne - Opłukiwanie naczyń przeznaczonych do późniejszego mycia. W tym programie nie używa się żadnego detergentu.	-	✓	1/2 6 h	0:12	4,5	0,10
P10	Samoczyszczenie 65° - Program przeznaczony do przeprowadzania konserwacji zmywarki, tylko w przypadku gdy zmywarka jest PUSTA, z zastosowaniem specjalnych detergentów służących do konserwacji zmywarki.	-	-	6 h	1:15	11,0	1,10

Dane Programu Eko uzyskano na podstawie pomiarów wykonanych w warunkach laboratoryjnych zgodnie z normą europejską EN 60436:2020.

Uwaga dla laboratoriów testowych: szczegółowe informacje dotyczące warunków testów porównawczych EN można uzyskać pod adresem: dw_test_support@whirlpool.com

Przed każdym z tych programów nie ma potrzeby wstępnego przygotowania naczyń.

*) Nie wszystkie opcje mogą być używane jednocześnie.

**) Wartości podane dla innych programów niż program Eko mają charakter referencyjny. Rzeczywisty czas może się zmieniać w zależności od wielu czynników, takich jak temperatura i ciśnienie dopływającej wody, temperatura otoczenia, ilość detergentu, wielkość i typ załadunku oraz jego wyważenie, a także od dodatkowo wybranych opcji i kalibracji czujnika. Kalibracja czujnika może wydłużyć czas trwania programu aż o 20 min.

OPCJE I FUNKCJE

OPCJE można wybierać/ anulować wybór bezpośrednio po wybraniu programu, naciskając odpowiedni przycisk (jeśli jest dostępna – zapala się kontrolka) (patrz PANEL STEROWANIA). Jeśli dana opcja nie może być używana z wybranym programem (patrz TABELA PROGRAMÓW), odpowiednia dioda LED migśnie szybko 3 razy i będzie słychać sygnał dźwiękowy. Opcja nie zostanie włączona. Opcja może zmienić czas lub zużycie wody lub energii dla programu.

POWER CLEAN® - Dzięki dodatkowym silnym dyszom ta opcja zapewnia bardziej intensywnie i dokładne mycie w koszu dolnym, w określonym jego obszarze. Opcja ta jest polecana do mycia garnków i patelni. (Prosimy zapoznać się z częścią dotyczącą obciążenia Power Clean®).

POŁOWA ZAŁADUNKU - Jeśli nie ma wielu naczyń do zmywania, używany jest program połowy załadunku, w celu oszczędzania wody, energii elektrycznej lub czasu, w zależności od wybranego programu.

Należy pamiętać, aby zmniejszyć ilość detergentu.

+++ DODATKOWE SUSZENIE - Wyższa temperatura podczas ostatniego płukania i przedłużona faza suszenia pozwala na lepsze suszenie. Opcja DODATKOWE SUSZENIE powoduje wydłużenie cyklu zmywania.

OPÓŹNIENIE - Włączenie programu można opóźnić o pewien czas, od 30 minut do 24 godzin.

1. Wybrać program i którąkolwiek z żądanych opcji. Nacisnąć przycisk OPÓŹNIENIE (kilkukrotnie), aby opóźnić rozpoczęcie programu. Dostępna jest regulacja w zakresie od pół godziny do 24 godzin. Gdy osiągnięte zostanie ustawienie 24 godzin, wcisnąć przycisk OPÓŹNIENIE kolejny raz, aby dezaktywować funkcję OPÓŹNIENIE.

2. Wcisnąć przycisk START/Pauza i zamknąć drzwi w przeciągu 4 sek. Zegar zacznie odliczanie.

3. Po upływie ustawionego czasu kontrolka gaśnie, a program włącza się automatycznie.

Funkcja OPÓŹNIENIE nie może być ustawiana po włączeniu się programu.

ULUBIONY PROGRAM - Ulubiony program można zapisać i będzie łatwo dostępny. Znaleźć program przy użyciu przycisku POPRZEDNI/NASTĘPNY, a następnie wcisnąć i przytrzymać przycisk Ulubionego programu przez 3 sekundy.

ZAWÓR WODY ZAMKNIĘTY - Alarm - Miga, gdy nie jest doprowadzana woda lub zawór wody jest zamknięty.

NaturalDry - to konwekcyjny system suszenia, który automatycznie otwiera drzwiczki podczas/ po fazie suszenia, aby zapewnić doskonałe rezultaty suszenia każdego dnia. Drzwiczki można otworzyć po osiągnięciu temperatury bezpiecznej dla mebli kuchennych, zatem przy użyciu opcji DEZYNFEKCJA drzwiczki będą zablokowane.

Do zmywarki dołączono specjalnie zaprojektowaną folię ochronną która pełni funkcję dodatkowej ochrony przed parą. Prosimy zapoznać się z INSTRUKCJĄ INSTALACJI, aby dowiedzieć się, jak zamontować folię ochronną. Ta funkcja jest domyślnie ustawiona jako aktywna, jednak można ją wyłączyć w "MENU USTAWIEN".

ODKAMNIENIE - Alarm - Wykryto nagromadzenie kamienia na wewnętrznych elementach urządzenia. Sprawdzić, czy **Ustawienie Twardości Wody** ma prawidłową wartość, a **sól** jest obecna w pojemniku na sól (patrz PIERWSZE UŻYCIĘ), a następnie użyć produktu do odkamieniania (zalecana jest marka WPron) i włączyć program **Samoczyszczenie**. Po udanym odkamienianiu ikona nie będzie już wyświetlana.

Jeśli opisane powyżej czynności nie zostaną wykonane, wydajność maszyny się pogorszy. Ostrzeżenie «Odkamienianie» zacznie mrugać, a alarm «dES» pojawi się na wyświetlaczu. Jeśli nadal nie podjęte zostanie żadne działanie, urządzenie umożliwi włączenie jedynie pewnej ilości cykli (wskazane podczas wyświetlania alarmu «dES») a następnie zostanie **ZABLOKOWANE**, aby zapobiec uszkodzeniom elementów urządzenia, a **dostępny będzie jedynie program Samoczyszczenie**. Przeprowadzenie pełnego odkamieniania odblokuje urządzenie. W przypadku wyjątkowo dużych ilości kamienia, możliwe, że trzeba będzie wykonać odkamienianie dwa razy, aby było skuteczne.

WYKRYWANIE - kiedy czujnik wykryje poziom zabrudzenia, na wyświetlaczu pojawi się animacja (około 20 min.), a długość cyklu zmywania zostanie zaktualizowana. Funkcja wykrywania służy do pomiaru poziomu zabrudzenia naczyń i jest ona obecna we wszystkich cyklach (z wyjątkiem trybu Eco), dostosowując odpowiednio program.

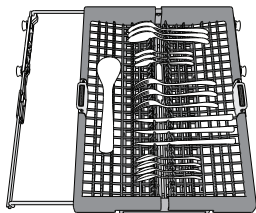
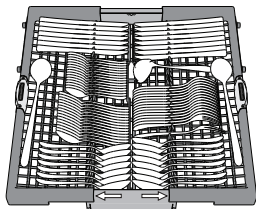
PÓŁKA-KOSZ NA SZTUĆCE

Trzecia półka-kosz jest przeznaczona do umieszczenia sztućców.

Sztućce należy wkładać tak, jak to pokazano na rysunku. Rozdzielone ułożenie sztućców ułatwia ich wyjmowanie po zmywaniu i zapewnia lepsze wysuszenie.

Noże i inne akcesoria o ostrych czubkach i krawędziach należy układać ostrzami skierowanymi w dół.

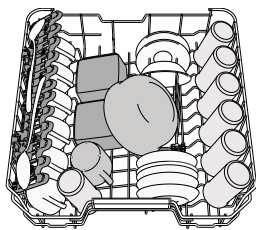
Półka na sztućce jest wyposażona w dwie przesuwne boczne półki, aby uzyskać jak najwyższą przestrzeń pod spodem i umożliwić umieszczenie wysokich naczyń w górnym koszu.

**GÓRNY KOSZ**

Tu należy wkładać delikatne i lekkie naczynia: szklanki, filiżanki, talerzyki, małe miseczki do sałatek.

Górny kosz jest wyposażony w podnoszone wsporniki, które mogą być używane w pozycji pionowej przy wkładaniu spodeczków/talerzyków deserowych lub w pozycji opuszczonej, przy wkładaniu misek i pojemników na żywność.

(przykładowe załadowanie górnego kosza)

**Regulacja wysokości górnego kosza**

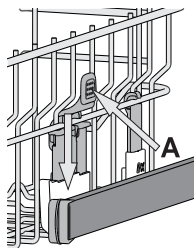
Wysokość górnego kosza można wyregulować: wyższe położenie umożliwia umieszczenie dużych naczyń w dolnym koszu, a niższe pozwala na najwyższe ustawienie podnoszonych wsporników, co daje więcej miejsca u góry, a jednocześnie pozwala uniknąć stykania się z naczyniami umieszczonymi w dolnym koszu.

Górny kosz jest wyposażony w **regulator wysokości górnego kosza** (patrz ilustracja); bez naciśnięcia dźwigni, można łatwo podnieść kosz trzymając go za boczne części i umieszczając stabilnie w górnym położeniu.

Aby przywrócić dolne położenie, nacisnąć dźwignieki **A** po bokach kosza i przesunąć kosz w dół.

Zdecydowanie zalecamy, aby nie regulować wysokości kosza, gdy jest załadowany.

NIGDY nie podnosić lub opuszczać kosza tylko z jednej strony.

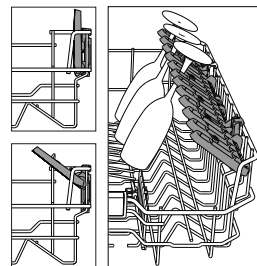
**Składane półeczki z regulowanym położeniem**

Boczne składane kłapy można złożyć lub rozłożyć, aby zoptymalizować ułożenie naczyń w koszyku. Kieliszki do wina można bezpiecznie umieścić, wkładając nóżkę każdego kieliszka do odpowiedniego otworu.

W zależności od modelu:

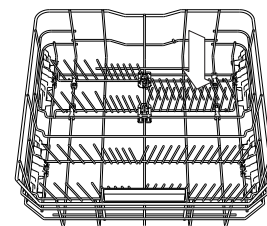
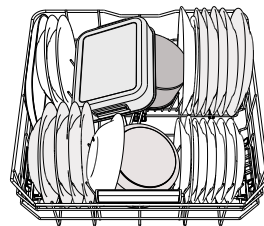
- aby rozłożyć kłapy, należy wysunąć je do góry i obrócić lub zwolnić z zatrasków i pociągnąć do dołu.

- aby złożyć kłapy, należy obrócić je i wsunąć je do dołu lub wyciągnąć do góry i zamocować do zatrasków.

**DOLNY KOSZ**

Do garnków, pokrywek, talerzy, misek do sałatek, sztućców itp. Duże talerze i pokrywki powinny być umieszczane z boku, aby uniknąć stykania się z ramieniem natryskowym.

Dolny kosz jest wyposażony w podnoszone wsporniki, które mogą być używane w położeniu pionowym przy wkładaniu talerzy lub w położeniu poziomym, aby ułatwić wkładanie patelni i misek.



(przykładowe załadowanie dolnego kosza)

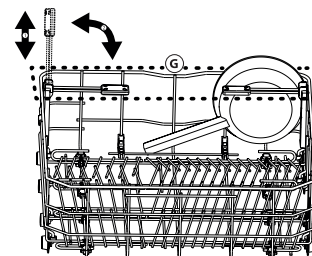
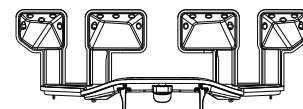
POWER CLEAN®

System Power Clean® wykorzystuje specjalne dysze wodne znajdujące się z tyłu komory, które pozwalają na intensywne mycie bardzo zabrudzonych naczyń. Dolny kosz posiada miejsce do umieszczania dużych przedmiotów. Z tyłu kosza znajduje się specjalny wysuwany wspornik, który może być używany do podparcia patelni lub blach do pieczenia i ustawienia ich pionowo, dzięki czemu będą zajmowały mniej miejsca.

Umieszczając garnki/patelnie skierowane w stronę elementu Power Clean®, należy włączyć **POWER CLEAN** na panelu sterowania.

Stosowanie opcji Power Clean®:

1. Dostosować obszar Power Clean (**G**), składając tylne uchwyty w taki sposób, aby móc włożyć garnki.
2. Włożyć przechylone w pionie garnki i patelnie w obszar Power Clean®. Garnki muszą być zwrócone w kierunku silnych dysz wodnych.

**UTRZYMANIE I KONSERWACJA****CZYSZCZENIE ZESPOŁU FILTRA**

Zespół filtra należy regularnie czyścić, zapobiegając jego zapychaniu i zapewniając prawidłowy odpływ ścieków.

Używanie zmywarki, w której zablokowane są filtry lub zawierające ciała obce w układzie filtrowania może spowodować nieprawidłowe działanie urządzenia, co prowadzi do obniżenia wydajności, głośnej pracy lub większego wykorzystania mediów.

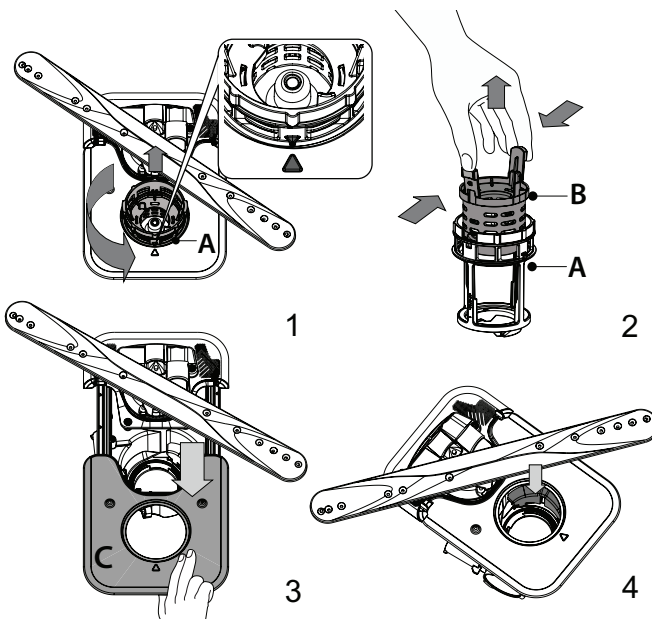
Zespół filtra składa się z trzech filtrów, które usuwają resztki jedzenia z myjącej wody, a następnie umożliwiają jej obieg: aby uzyskać najlepsze rezultaty zmywania, należy utrzymywać je w czystości.

Nie wolno używać zmywarki bez filtrów lub jeśli filtry są źle zamocowane.

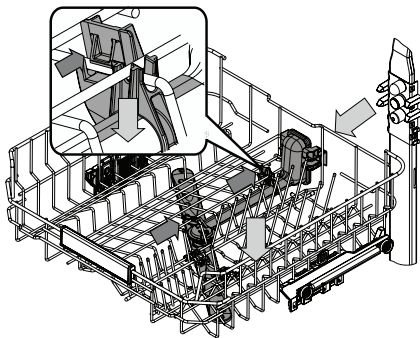
Co najmniej raz na miesiąc lub po każdym 30 cyklach zmywania należy sprawdzić zespół filtra i w razie potrzeby oczyścić go dokładnie pod bieżącą wodą za pomocą szczoteczki z nie-metalowym włosiem i postępując zgodnie z poniższymi instrukcjami:

1. Odkręcić filtr cylindryczny **A** w kierunku ruchu wskazówek zegara i wyciągnąć go (Rys. 1). **Ważne jest, aby przy ponownym montażu filtra, dwa trójkąty pokazane na zbliżeniu, spotkały się.**
2. Zdjąć korek filtra **B** lekko naciskając boczne kłapki (Rys. 2).
3. Wysunąć filtr płytkowy ze stali nierdzewnej **C** (Rys. 3).
4. W przypadku odnalezienia ciał obcych (np. potłuczonego szkła, porcelany, kości, pestek owoców itp.), **należy je ostrożnie wyjąć.**
5. Sprawdzić syfon i usunąć wszelkie resztki potraw. **NIGDY NIE NALEŻY WYJMOWAĆ** osłony pompy cyklu myjącego (pokazane strzałką) (Rys. 4).

Po oczyszczeniu filtrów należy założyć z powrotem zespół filtra i zamocować go w prawidłowym położeniu; jest to niezbędne dla utrzymania sprawnego funkcjonowania zmywarki.

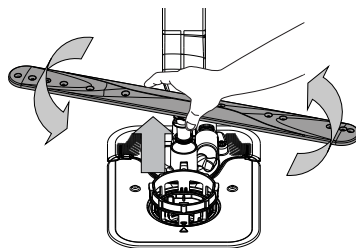


CZYSZCZENIE RAMION NATRYSKOWYCH

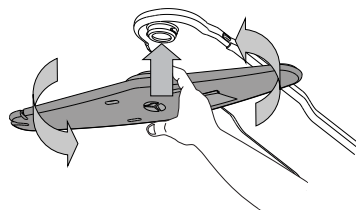


Może się zdarzyć, że resztki potraw pozostaną na ramionach natryskowych i będą zatykać otwory, przez które wytryskiwana jest woda. Dlatego też zaleca się, aby od czasu do czasu sprawdzić ramiona natryskowe i oczyścić je małą szczoteczką z nie-metalowym włosiem.

Aby usunąć spryskiwacz górny, usuń go z kolektorem.



Dolne ramię natryskowe można wyjmować pociągając je w górę i obracając je w kierunku przeciwnym do wskazówek zegara. Ponowne osadzenie ramienia natryskowego odbywa się poprzez pociągnięcie go w dół i obrócenie go w kierunku zgodnym z ruchem wskazówek zegara.

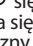


Górne ramię natryskowe można wyjmować wciskając je w górę i obracając je w kierunku przeciwnym do wskazówek zegara. Ponowne osadzenie ramienia natryskowego odbywa się poprzez pociągnięcie go w górę i obrócenie go w kierunku zgodnym z ruchem wskazówek zegara.

USUWANIE USTEREK

Jeśli zmywarka nie działa prawidłowo, należy sprawdzić czy problem można rozwiązać wykonując czynności opisane poniżej. W przypadku błędów lub problemów prosimy skontaktować się z zakładem serwisowym, którego dane kontaktowe można odnaleźć w książeczce gwarancyjnej. Części zamienne będą dostępne przez okres do 7 lub do 10 lat, zgodnie z określonymi wymaganiami rozporządzenia.

PROBLEMY	MOŻLIWE PRZYCZYNY	ROZWIĄZANIE
Świeci się wskaźnik soli	Zbiornik soli jest prawie pusty.	Napełnij zbiornik solą (aby uzyskać więcej informacji, patrz NAPEŁNIANIE ZBIORNIKA SOLI). W razie potrzeby sprawdź ustawienie twardości wody, patrz TABELA TWARDOŚCI WODY .
Wskaźnik soli miga	Zbiornik soli jest pusty.	Jak najszybciej napełnij zbiornik solą. Używanie urządzenia bez soli może spowodować uszkodzenie jego podzespołów wewnętrznych.
Wskaźnik płynu nablyszczającego świeci się lub miga	Dozownik płynu nablyszczającego jest pusty. (Po ponownym napełnieniu wskaźnik płynu nablyszczającego może pozostać zapalony przez krótki czas).	Ponownie napełnij dozownik płynem nablyszczającym (aby uzyskać więcej informacji, patrz NAPEŁNIANIE DOZOWNIKA PŁYNU NABLYSZCZĄCEGO).
Wskaźnik odkamieniania świeci się lub miga; wyświetlany jest alarm „dES”	Na wewnętrznych podzespołach urządzenia osadza się kamień.	Natychmiast usuń kamień z urządzenia korzystając z programu Samoczyszczenie i dostępnego na rynku preparatu do usuwania kamienia (patrz OPCJE I FUNKCJE). Ponownie napełnij zbiornik solą. Sprawdź ustawienie twardości wody. Jeśli urządzenie nie zostanie odkamienione, przestanie działać.
Zmywarka nie włącza się lub nie reaguje na polecenia.	Urządzenie nie zostało prawidłowo podłączone do zasilania.	Włóż wtyczkę przewodu zasilającego do gniazdka.
	Przerwa w dopływie prądu.	Ze względów bezpieczeństwa, zmywarka nie uruchomi się ponownie automatycznie po przywróceniu zasilania. Otwórz drzwiczki zmywarki, naciśnij przycisk START/Pauza i zamknij drzwiczki w przeciągu 4 sekund.
	Drzwiczki zmywarki nie są zamknięte. Sworzeń NaturalDry nie jest wsunięty.	Energicznie popchnij drzwiczki aż do usłyszenia “kliknięcia”.
	Cykl zostaje przerwany przez otwarcie drzwi przez ponad 4 sekundy.	Naciśnij przycisk START/Pauza i zamknij drzwiczki w przeciągu 4 sekund.
Zmywarka nie odpompowuje wody. Na wyświetlaczu widoczny jest komunikat: F7 E3 lub F9 E1	Filtr jest zatkany resztkami potraw lub kamieniem.	Oczyść filtr i usuń kamień z urządzenia (patrz CZYSZCZENIE ZESPOŁU FILTRA I INSTRUKCJA ODKAMNIENIA).
	Wąż odpływowy jest zagięty.	Sprawdź wąż odpływowy (patrz INSTRUKCJA INSTALACJI).
	Rura odpływu zlewu jest zatkana.	Oczyść rurę odpływu w zlewie.
Zmywarka powoduje nadmierne hałas.	Naczynia stukają między sobą.	Prawidłowo rozmieść naczynia (patrz ŁADOWANIE KOSZY).
	Występuje nadmierna ilość piany.	Porcja detergentu nie została poprawnie odmierzona, albo detergent nie nadaje się do stosowania w zmywarkach (patrz NAPEŁNIANIE DOZOWNIKA DETERGENTU). Ponownie uruchom bieżący cykl poprzez WYŁĄCZENIE zmywarki, następnie włącz ją ponownie, wybierz nowy program, naciśnij przycisk START/Pauza i zamknij drzwiczki w przeciągu 4 sekund. Nie dodawaj żadnego detergentu.
	Naczynia nie zostały prawidłowo rozmieszczone. Filtr jest zatkany resztkami potraw lub kamieniem.	Prawidłowo rozmieść naczynia (patrz ŁADOWANIE KOSZY). Oczyść zespół filtra (patrz UTRZYMANIE I KONSERWACJA).
Naczynia nie są czyste.	Naczynia nie zostały prawidłowo rozmieszczone.	Prawidłowo rozmieść naczynia (patrz ŁADOWANIE KOSZY).
	Ramiona natryskowe nie mogą obracać się swobodnie, zaczepiają się o naczynia.	Prawidłowo rozmieść naczynia (patrz ŁADOWANIE KOSZY). Sprawdź, czy górny kosz jest w prawidłowym położeniu i w razie potrzeby wyreguluj (podnieś).
	Cykl zmywania jest zbyt delikatny.	Wybierz odpowiedni cykl zmywania (patrz TABELA PROGRAMÓW).
	Występuje nadmierna ilość piany.	Porcja detergentu nie została poprawnie odmierzona, albo detergent nie nadaje się do stosowania w zmywarkach (patrz NAPEŁNIANIE DOZOWNIKA DETERGENTU).
	Pokrywka przegródki na płyn nablyszczający nie została prawidłowo zamknięta.	Upewnij się, czy dozownik płynu nablyszczającego jest zamknięty.
Filtr jest zatkany resztkami potraw lub kamieniem.	Oczyść filtr i usuń kamień z urządzenia (patrz CZYSZCZENIE ZESPOŁU FILTRA).	
Zbiornik soli jest pusty.	Napełnij zbiornik soli (patrz NAPEŁNIANIE ZBIORNIKA SOLI).	

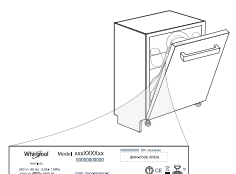
PROBLEMY	MOŻLIWE PRZYCZYNY	ROZWIĄZANIE
Zmywarka nie napełnia się wodą. Na wyświetlaczu widoczny jest komunikat: H2O i  się świeci; rozlega się alarm akustyczny.	Brak wody w sieci wodociągowej lub zawór jest zamknięty.	Sprawdź, czy woda dopływa z sieci wodociągowej lub czy zawór wody jest otwarty.
	Wąż dopływowy wody jest zagięty.	Sprawdź wąż dopływowy (patrz <i>INSTRUKCJA INSTALACJI</i>). Otwórz drzwiczki zmywarki, naciśnij przycisk START/Pauza i zamknij drzwiczki w przeciągu 4 sekund.
	Filtr siatkowy w węży dopływowym wody jest zapchany; niezbędne jest jego oczyszczenie.	Sprawdź i oczyść filtr siatkowy w węży dopływowym wody. Otwórz drzwiczki zmywarki, naciśnij przycisk START/Pauza i zamknij drzwiczki w przeciągu 4 sekund.
Zmywarka kończy cykl przedwcześnie. Na wyświetlaczu widoczny jest komunikat: F8 E3	Filtr jest zatkany resztkami potraw lub kamieniem.	Oczyść filtr i usuń kamień z urządzenia (patrz <i>CZYSZCZENIE ZESPOŁU FILTRA i INSTRUKCJA ODKAMNIANIA</i>).
	Wąż odpływowy ustawiony zbyt nisko lub odprowadzanie wody za pomocą syfonu do domowej sieci kanalizacyjnej.	Sprawdź czy końcówka węża odpływowego jest ustawiona na odpowiedniej wysokości (patrz <i>INSTRUKCJA INSTALACJI</i>). Sprawdź czy woda nie jest odprowadzana za pomocą syfonu do domowej sieci kanalizacyjnej, i w razie potrzeby zamontować przerywacz syfonu/zawór napowietrzający.
	Występuje nadmierna ilość piany.	Porcja detergentu nie została poprawnie odmierzona, albo detergent nie nadaje się do stosowania w zmywarkach (patrz <i>NAPEŁNIANIE DOZOWNIKA DETERGENTU</i>).
	Powietrze w instalacji doprowadzenia wody.	Sprawdź czy w instalacji wodnej nie ma nieszczelności lub innych problemów umożliwiających dostęp powietrza.
Naczynia nie są dobrze wysuszone.	Brak płynu nablyszczającego lub dawka jest zbyt mała.	Upewnij się, że dozownik płynu nablyszczającego jest napełniony (patrz <i>NAPEŁNIANIE DOZOWNIKA PŁYNU NABLYSZCZAJĄCEGO</i>). Same tabletki wielofunkcyjne do zmywarek nie zapewnią tak dobrych efektów suszenia, jak rzeczywiste używanie płynu nablyszczającego.
	Naczynia zostały wyładowane po automatycznym otwarciu drzwi, ale przed faktycznym zakończeniem cyklu.	Przed rozpoczęciem rozładowywania naczyń należy upewnić się, że cykl zakończył się (patrz <i>CO-DZIENNA EKSPLOATACJA</i>). W celu uzyskania jeszcze lepszych rezultatów suszenia zaleca się pozostawienie naczyń wewnątrz zmywarki z otwartymi drzwiami przez dodatkowe 15 minut po zakończeniu cyklu.
	Naczynia są ulokowane zbyt płasko.	W przypadku zauważenia kałuż wody w zagłębieniach filiżanek, kubków lub misek, spróbuj załadować naczynia (zwłaszcza w górnym koszu), tak aby zapewnić większe nachylenie, w celu umożliwienia ściekania większej ilości wody przed rozpoczęciem suszenia.
	Wybrany cykl nie posiada fazy suszenia.	Prosimy sprawdzić w <i>TABELI PROGRAMÓW</i> , czy wybrany program jest wyposażony w fazę suszenia. Cykl bez fazy suszenia może nie zapewnić pożądanej wydajności suszenia, dlatego zaleca się zmianę wyboru cyklu na ten, który posiada fazę suszenia.
	Naczynia są wykonane z tworzywa sztucznego lub materiału antyadhezyjnego.	Trochę kropelek wody, pozostających na tego typu materiale, jest zjawiskiem normalnym.
Naczynia i szklanki mają niebieskie smugi lub niebieskawe odcienie.	Dozowanie płynu nablyszczającego jest nadmierne.	Zmień dozowanie na niższe ustawienia.
Naczynia i szklanki są pokryte wapniowym lub białawą warstwą.	Zbiornik soli jest pusty.	Jak najszybciej napełnij zbiornik solą. Używanie urządzenia bez soli może spowodować uszkodzenie jego podzespołów wewnętrznych.
	Twardość wody jest ustawiona na zbyt niską twardość.	Zwiększ ustawienie (patrz <i>TABELA TWARDOŚCI WODY</i>).
	Pokrywa zbiornika soli nie jest dokładnie zamknięta.	Sprawdź i zamknij pokrywę zbiornika soli.
	Zbiornik płynu nablyszczającego jest pusty lub dozowanie płynu nablyszczającego jest niewystarczające.	Ponownie napełnij dozownik płynem nablyszczającym i sprawdź ustawienie dozowania (aby uzyskać więcej informacji, patrz <i>NAPEŁNIANIE DOZOWNIKA PŁYNU NABLYSZCZAJĄCEGO</i>).
Zmywarka wyświetla komunikat F8 E5	Zawór jest zablokowany lub uszkodzony.	Jeśli to możliwe, zamknij zawór wody. Nie wyłączaj zasilania. Zadzwoń do serwisu.



Zasady, standardową dokumentację, informacje na temat zamawiania części zamiennych oraz dodatkowe informacje o produkcie można znaleźć:

- Używając kodu QR i odwiedzając naszą stronę internetową: docs.whirlpool.eu/docs
- Odwiedzając naszą stronę internetową: parts-selfservice.europeanappliances.com
- Ewentualnie można skontaktować się z naszą obsługą posprzedażową (patrz numer telefonu w książeczce gwarancyjnej). Kontaktując się z naszą obsługą posprzedażową, należy podać kody zamieszczone na tabliczce identyfikacyjnej produktu.

Informacje o modelu można uzyskać przy pomocy kodu QR podanego na etykiecie energetycznej. Etykieta zawiera również identyfikator modelu, którego można użyć do znalezienia informacji na portalu rejestru pod adresem <https://eprel.ec.europa.eu>.





ĎAKUJEME, ŽE STE SI KÚPILI VÝROBK WHIRLPOOL.
Ak chcete získať komplexnejšiu pomoc a podporu, zaregistrujte, prosím, svoj spotrebič na: www.whirlpool.eu/register

Pred použitím spotrebiča si starostlivo prečítajte bezpečnostné pokyny a návod na inštaláciu. Viac informácií o výrobku nájdete na webovej stránke: docs.whirlpool.eu/docs



Po inštalácii nezabudnite odstrániť z umývačky všetky súčiastky na ochranu pri preprave.

OVLÁDACÍ PANEL

1. Tlačidlo **ZAP.-VYP./Reštart** s kontrolkou
2. Tlačidlo **PREDCHÁDZAJÚCI program**
3. Tlačidlo **ĎALŠÍ program**
4. Tlačidlo **OBLÚBENÝ program** s kontrolkou
5. Kontrolka prázdny zásobník soli
6. Kontrolka prázdny zásobník leštidla
7. Kontrolka **ODVÁPNIŤ**
8. Kontrolka **Zatvorený vodovodný ventil**
9. Ukazovateľ čísla programu a zostávajúceho času
10. Displej
11. Tlačidlo možnosti **Power Clean®** s kontrolkou



12. Tlačidlo možnosti **Polovičná Náplň** s kontrolkou/ **Nastavenia** - stlačiť na 3 sekundy
13. Tlačidlo možnosti **Extra Sušenia** s kontrolkou/
14. Tlačidlo **Odložený Štart** s kontrolkou
15. Tlačidlo **ŠTART/Pauza** s kontrolkou

PRVÉ POUŽITIE

PONUKA NASTAVENÍ

1. Zapnite spotrebič stlačením tlačidla **ZAP./VYP.**
2. Na 3 sekundy podržte tlačidlo **Nastavenia** (Polovičná Náplň), až kým sa neozve pípnutie a na displeji sa zobrazí „**SET**“.
3. Po jednej sekunde sa zobrazí prvé dostupné nastavenie (písmeno „**h**“).
4. Stlačením **PREDCHÁDZAJÚCI/ĎALŠÍ** prechádzate zoznamom dostupných nastavení (pozri tabuľku ďalej), potom stlačte **ŠTART/Pauza** pre zobrazenie a zmenu hodnoty aktuálne zvoleného nastavenia.
5. Stlačením **PREDCHÁDZAJÚCI/ĎALŠÍ** zmeníte hodnotu, potom stlačte **ŠTART/Pauza** pre uloženie novej hodnoty a návrat do hlavnej ponuky.
6. Pre zmenu ďalšieho nastavenia zopakujte body 4 a 5.
7. Stlačte **ZAP./VYP.** alebo počkajte 30 sekúnd, ak chcete ponuku zatvoriť.

PÍSMENO	NASTAVENIE	HODNOTY (Štandardné - tučným písmom)
h	Úroveň tvrdosti vody (pozri NASTAVENIE TVRDOSTI VODY a TABUĽKA TVRDOSTI VODY)	1 2 3 4 5
f	Úroveň leštidla (pozri NASTAVENIE DÁVKOVANIA LEŠTIDLA)	0 1 2 3 4 5
o	NaturalDry (pozri MOŽNOSTI A FUNKCIE) „1“ = Zap., „0“ = Vyp.	1 0
s	Zvuk „1“ = Zap., „0“ = Vyp.	1 0
-	Nastavenie z výroby Stlačením tlačidla ŠTART/Pauza obnovíte nastavenie z výroby všetkých hodnôt nastavení zahrnutých v ponuke nastavení	-

PLNENIE ZÁSOBNÍKA SOLI

Používanie soli zabraňuje tvorbe vodného kameňa na riadoch a funkčných komponentoch umývačky. Zásobník soli sa nachádza v spodnej časti umývačky (pod spodným košom na ľavej strane).

- Je nevyhnutné, aby **zásobník soli nebol nikdy prázdny**.
- Je dôležité nastaviť tvrdosť vody.
- Soľ treba doplniť, keď na ovládacom paneli svieti **kontrolka DOPLNIŤ SOL**.



1. Vyberte spodný koš a odskrutkujte uzáver zásobníka (proti smeru hodinových ručičiek).
2. Nasadte násypku (pozri obrázok) a naplňte zásobník až po okraj (približne 0,5 kg); je bežné, že trochu vody vytečie.
3. **Vykonáva sa len prvýkrát: zásobník soli naplňte vodou.**

4. Vyberte násypku a zvyšky soli na otvore utrite. Dbajte, aby bol uzáver pevne zatiahnutý, aby sa počas umývacieho programu nedostal do zásobníka umývací prostriedok (mohlo by to nenapraviteľne poškodiť zmäkčovač vody). **Spustíte program zakaždým hneď po doplnení zásobníka soli, aby ste sa vyhlí korózii.**

Nastavenie tvrdosti vody

Aby mohol zmäkčovač dokonale pracovať, je dôležité, aby bola tvrdosť vody nastavená podľa skutočnej tvrdosti vody vo vašej domácnosti. Túto informáciu môžete získať od miestneho dodávateľa vody. Z výroby je nastavená priemerná tvrdosť vody „**3**“. Pozri „**TABUĽKA TVRDOSTI VODY**“.

Ak ho chcete zmeniť, postupujte podľa pokynov v časti „**PONUKA NASTAVENÍ**“. **Používajte iba soľ určenú špeciálne do umývačiek.** Keď do umývačky nasypete soľ, kontrolka **DOPLNIŤ SOL** zhasne. **Ak zásobník soli nenaplníte, zmäkčovač vody a ohrievacie teleso sa môžu poškodiť v dôsledku hromadenia vodného kameňa.** **Použitie soli sa odporúča s akýmkoľvek typom umývacieho prostriedku do umývačky riadu.**

Tabuľka tvrdosti vody

Úroveň	°dH Nemecké stupne	°fH Francúzske stupne	°Clark Anglické stupne
1 (mäkká)	0 - 6	0 - 10	0 - 7
2 (stredná)	7 - 11	11 - 20	8 - 14
3 (priemerná)	12 - 16	21 - 29	15 - 20
4 (tvrdá)	17 - 34	30 - 60	21 - 42
5 (veľmi tvrdá)	35 - 50	61 - 90	43 - 62

SYSTEM NA ZMÄKČOVANIE VODY

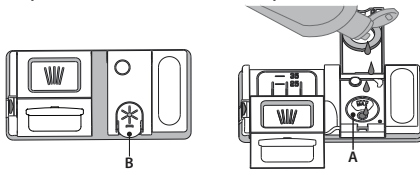
Zmäkčovač vody automaticky znižuje tvrdosť vody, čím zároveň zabraňuje tvorbe vodného kameňa v ohrievачi a prispieva k vyššej efektívnosti umývania. **Tento systém sa automaticky regeneruje pomocou soli, a preto je nutné pravidelne doplniť zásobník soli, keď bude prázdny.**

Intervaly vykonávania regenerácie závisia od nastavenia tvrdosti vody – regenerácia sa vykonáva raz za **4-6** Eco cyklov, ak je tvrdosť vody nastavená na **3**. Proces regenerácie prebieha na začiatku cyklu s pridaním čerstvej vody.

- Pri regenerácii sa spotrebuje: približne 3 litre vody;
- Pridá k cyklu dodatočných 5 minút;
- Spotrebuje sa pri nej 0,005 kWh energie

PLNENIE DÁVKOVAČA LEŠTIDLA

Leštadlo uľahčuje **SUŠENIE** riadu. Dávkovač leštiaceho prostriedku **A** treba naplniť, keď na ovládacom paneli svieti **kontrolka DOPLNIŤ LEŠTIDLO**.



1. Otvorte dávkovač **B** stlačením a zdvihnutím držiaka na veko.
2. Opatrne nalejte leštadlo až po značku maximum (110 ml) v plniacom priestore – dbajte, aby ste ho nerozliali. Ak sa to stane, leštadlo ihneď utrite suchou handričkou.

3. Zatlačte veko, až počujete cvaknutie. **NIKDY nelejte leštadlo priamo do vaničky umývačky.**

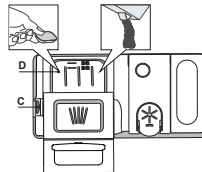
Nastavenie dávkovania leštidla

Ak nie ste celkom spokojní s výsledkom sušenia, môžete nastaviť množstvo použitého leštidla.

Ak ho chcete zmeniť, postupujte podľa pokynov v časti „**PONUKA NASTAVENÍ**“. Ak je úroveň leštidla nastavená na **NULA**, nepridáva sa nijaké množstvo leštidla. Kontrolka **MÁLO LEŠTIDLA** sa nerozsvieti, ani keď sa leštadlo minie. V závislosti od modelu umývačky možno nastaviť maximálne **6** úrovne.

- Ak vidíte na riade modrasté pásiky, nastavte nízku hodnotu (0-3).
- Ak sú na riade kvapky vody alebo stopy po vodnom kameni, nastavte vysokú hodnotu (4-5).

PLNENIE DÁVKOVAČA UMÝVACIEHO PROSTRIEDKU



Dávkovač umývacieho prostriedku otvorte pomocou otváracieho zariadenia **C**. Umývací prostriedok dávajte iba do suchého dávkovača **D**. Umývací prostriedok na predumývanie dajte priamo do vaničky.

1. Pri odmeriavaní umývacieho prostriedku sa riadte uvedenými informáciami, aby ste pridali správne množstvo. Vnútri dávkovača **D** sa nachádzajú značky, ktoré pomôžu pri dávkovaní umývacieho prostriedku.
2. Odstráňte zvyšky umývacieho prostriedku z okrajov dávkovača a až potom veko zatvorte, až sa ozve cvaknutie.
3. Zatvorte veko dávkovača umývacieho prostriedku jeho nadvihnutím, až uzatváracie zariadenie zapadne na miesto. Dávkovač umývacieho prostriedku sa automaticky otvorí v správnom čase podľa programu. **Ak používate čistiaci prostriedok, ktorý nie je určený na umývačky, môžete tým spôsobiť poruchu alebo poškodenie spotrebiča.**

KAŽDODENNÉ POUŽÍVANIE

1. SKONTROLUJTE PRIPOJENIE K VODOVODU

Skontrolujte, či je spotrebič pripojený k vodovodnej sieti a či je otvorený vodovodný ventil.

2. ZAPNITE UMÝVAČKU

Otvorte dvierka a stlačte tlačidlo **ZAP./VYP.**

3. ULOŽTE RIAD DO KOŠOV (pozri UKLADANIE RIADU DO KOŠOV)

5. ZVOĽTE PROGRAM A UPRAVTE SI CYKLUS PODĽA ŽELANIA

Vyberte najvhodnejší program podľa typu nádob a stupňa zašpinenia (pozri *OPIS PROGRAMOV*) stlačením zvoleného tlačidla **PREDCHÁDZAJÚCI/DALŠÍ**.

Zvoľte požadované možnosti (pozri *MOŽNOSTI A FUNKCIE*). Nie všetky možnosti sú kompatibilné so všetkými programami.

6. ŠTART

Cyklus umývania spustíte stlačením tlačidla **ŠTART/Pauza** (rozsvieti sa LED) a zatvorením dvierok do 4 sekúnd. Keď sa program spustí, ozve sa jedno zapípanie. Ak dvierka nezatvoríte do 4 sekúnd, ozve sa výstražný signál. V takomto prípade dvierka neatvárajte, stlačte tlačidlo **ŠTART/Pauza** a znova zatvorte dvierka do 4 sekúnd.

7. UKONČENIE CYKLU UMÝVANIA

Koniec cyklu umývania oznámi zvuková signalizácia a na displeji sa zobrazí **END** (KONIEC). Otvorte dvierka a vypnite spotrebič stlačením tlačidla **ZAP./VYP.**

Niekoľko minút počkajte, aby ste sa nepopáli, a potom nádoby vyberte. Vyložte riad z košov, začnite od spodného.

ÚPRAVA BEŽIACEHO PROGRAMU

Ak ste zvolili nesprávny program, je možné ho zmeniť za podmienky, že sa iba začal. **RESET** spotrebiča: stlačte a podržte tlačidlo **ZAP./VYP.** dlhšie ako 3 sekundy a spotrebič sa vypne. **Na prístrojovej doske sa zobrazí „0:01“.** Zatvorte dvierka a počkajte, kým sa skončí cyklus odčerpania (cca 1 minúta). Otvorte dvierka a znova spotrebič zapnite pomocou tlačidla **ZAP./VYP.** a zvolte požadovanú možnosť. Spustíte cyklus stlačením tlačidla **ŠTART/Pauza** a zatvorením dvierok do 4 sekúnd.

PRIDANIE RIADU NAVYŠE

Bez vypnutia spotrebiča najprv pootvorte dvierka, aby voda nevyšplechla (LED kontrolka **ŠTART/Pauza** začne blikať) (**Pozor! Horúca para!**) a vložte riad do umývačky. Stlačte tlačidlo **ŠTART/Pauza** a zatvorte dvierka do 4 sekúnd, cyklus bude pokračovať od bodu, kde bol prerušený.

NÁHODNÉ PRERUŠENIA

Ak sa dvierka otvoria počas umývacieho cyklu, alebo v prípade výpadku prúdu, cyklus sa zastaví. Zatvorte dvierka a **IBA AK STLAČÍTE** tlačidlo **ŠTART/Pauza** a zatvoríte dvierka do 4 sekúnd, cyklus bude pokračovať od bodu, kde bol prerušený.

RADY A TIPY

TIPY

Pred naložením riadu do košov odstráňte všetky zvyšky jedla z nádob a vyprázdňte poháre. **Riad nemusíte vopred oplachovať pod tečúcou vodou.** Uložte nádoby tak, aby sedeli pevne na mieste a neprevrátili sa; a uložte ich tak, aby boli otvorené nadol, a vypuklé časti, aby boli naklonené a voda sa tak mohla voľne dostať ku všetkým povrchom.

Pozor: veká, ruky, podnosy a panvice na vysmážanie nesmú brániť otáčaniu ostrekovacích ramien.

Drobné veci ukladajte do košíka na príbor. Veľmi špinavý riad a hrnce treba ukladať do spodného koša, lebo v tejto časti sú prúdy vody silnejšie a zvyšujú umývací výkon. Po naplnení spotrebiča sa presvedčte, či sa ostrekovacie ramená môžu voľne otáčať.

NEVHODNÉ PREDMETY

- Drevené nádoby a príbor.
 - Krehké zdobené poháre, umelecký ručne maľovaný a starožitný porcelán. Ich zdobenie nie je odolné.
 - Časti z plastu, ktoré nie sú odolné voči vysokým teplotám.
 - Medené a cínové nádoby.
 - Riad zašpinený od popola, vosku, mazadiel alebo atramentu.
- Farby ozdôb na skle a hliníkové/strieborné kusy sa môžu počas umývania meniť a vyblednúť. Niektoré typy skla (napr. krištáľové predmety) môžu po niekoľkých umytiach zmatnieť.

POŠKODENIE SKLA A PORCELÁNU

- Používajte iba sklo a porcelán, pri ktorých výrobca zaručuje, že ich možno bezpečne umývať v umývačke.
- Používajte jemný umývací prostriedok vhodný na porcelán
- Vytiahnite poháre a príbor z umývačky hneď po skončení umývacieho cyklu.

TIPY NA ÚSPORU ENERGIE

- Keď používate umývačku riadu do domácnosti v súlade s pokynmi výrobcu, **pri umývaní kuchynského riadu v umývačke sa spravidla spotrebuje MENEJ ENERGIE a vody ako pri ručnom umývaní riadu.**
- Na dosiahnutie maximálnej efektivity umývačky riadu sa odporúča **spustiť cyklus umývania až potom, čo bude kompletne naplnená.** Ak naložíte umývačku riadu až do kapacity uvedenej výrobcom, prispějete tým k úspore energie a vody. Informácie o správnom nakladaní riadu nájdete v kapitole s názvom **NAKLADANIE KOŠOV.** V prípade čiastočného naplnenia sa odporúča používať špecializované možnosti umývania (Polovičná náplň/Zónové umývanie/Multizónové umývanie), ak sú k dispozícii, a naplniť iba konkrétne koše. Pri nesprávnom alebo nadmernom naplnení sa môže zvýšiť spotreba umývačky (či už ide o spotrebu vody, energie, času alebo väčšiu mieru hluku), čo povedie k zníženiu výkonu pri umývaní a sušení.
- Manuálne predbežné oplachovanie kuchynského riadu má za následok zvýšenú spotrebu vody a energie, a preto sa neodporúča.

HYGIENA

Aby ste sa vyhlili zápachu a usadeninám, ktoré sa môžu nahromadiť v umývačke, **aspoň raz do mesiaca spustite program s vysokou teplotou.** Do prázdnej umývačky dajte čajovú lyžičku umývacieho prostriedku a pustite ju naprázdno, aby sa vyčistila.

ODOLNOSŤ VOČI MRAZU

Ak je spotrebič umiestnený v prostredí s rizikom mrazu, **je potrebné z neho úplne vypustiť vodu.** Uzavrte vodovodný kohútik, odstráňte privodnú a odtokovú hadicu a nechajte vodu vyteciť. **Presvedčte sa, že zmäkčovač vody je plný rozpustenej regeneračnej soli v zásobníku soli,** aby bol spotrebič chránený pred teplotami až do -20°C.

Ak bol spotrebič uskladnený v podmienkach, kde mrzlo, musí pred prvým spustením **aspoň 24 hodín** stáť pri okolitej teplote minimálne 5°C.

TABUĽKA PROGRAMOV

Program	Opis programov	Fáza sušenia Natural-Dry	Dostupné možnosti ^{*)}	Trvanie umývacieho programu (h:min) ^{**)}	Spotreba vody (litre/cyklus)	Spotreba energie (kWh/cyklus)	
P1 Eco	Eko 50° - Program Eco je vhodný na umývanie bežne zašpineného kuchynského riadu, preto ide o najefektívnejší program na tento účel z hľadiska spotreby energie a vody, ktorý sa používa na stanovenie súladu s legislatívou Ecodesign v rámci EÚ.	✓	✓		3:30	9,5	0,76
P2	Auto Intenzívne 65° - Automatický program na silne znečistený riad a panvice.	✓	✓		2:25-3:10	15,5-24,5	1,30-1,70
P3	Automatický Zmiešaný 55° - Automatický program na normálne znečistený riad so zasušenými zvyškami jedla.	✓	✓		1:20-3:00	7,5-19,5	0,75-1,20
P4	Automatický Rýchly 50° - Automatický program na normálne a trochu znečistený riad. Každodenný cyklus, ktorý zabezpečuje optimálny výsledok umývania a sušenia v kratšom čase.	✓	✓		1:00-1:50	7,5-15,5	0,70-1,10
P5	Rýchly 45° - Program, ktorý sa odporúča pre obmedzené množstvo trochu znečisteného riadu bez zasušených zvyškov jedla. Neobsahuje fázu sušenia.	-	✓		0:30-0:40	10,0-12,0	0,55-0,65
P6	Krištáľové 45° - Program na krehké kusy riadu, ktoré sú citlivejšie na vysoké teploty, napríklad poháre a šálky	✓	✓		1:40-1:50	12,5-16,5	0,95-1,20
P7	Tichý 55° - Vhodný na nočnú prevádzku spotrebiča. Zabezpečuje optimálne umývanie a sušenie s najnižšou hlučnosťou.	✓	✓		3:50-4:10	10,5-14,5	0,80-1,15
P8	Dezinfekcia 65° - Normálne až silne zašpinený riad – zahŕňa dodatočné antibakteriálne opláchnutie. Možno ho použiť na údržbu umývačky.	✓	-		1:55-2:10	12,0-19,0	1,40-1,80
P9	Predumývanie - Na odmočenie riadu, ktorý sa bude umývať neskôr. Pri tomto programe sa nepoužíva umývací prostriedok.	-	✓		0:12	4,5	0,10
P10	Autočistenie 65° - Program určený na údržbu umývačky sa musí spúšťať iba v PRÁZDNEJ umývačke s použitím špeciálnych prostriedkov určených na údržbu umývačky.	-	-		1:15	11,0	1,10

Údaje z programu EKO sú namerané v laboratórnych podmienkach podľa európskej normy EN 60436:2020.

Poznámka pre Skúšobné laboratóriá: O informácie o podmienkach vykonania komparatívnej skúšky EN môžete požiadať na adrese: dw_test_support@whirlpool.com

Príprava riadu pred umývaním nie je potrebná pri nijakom programe.

*) Nie všetky možnosti možno použiť súčasne s inými.

**) Hodnoty uvedené pri iných programoch ako Eko sú iba orientačné. Skutočný čas sa môže líšiť v závislosti od mnohých faktorov, ako sú teplota a tlak privádzanej vody, teplota vmiestnosti, množstvo umývacieho prostriedku, množstvo a typ vloženého riadu, jeho rozloženie, ďalšie zvolené možnosti akalibrácia senzoru. Kalibrácia senzoru môže predĺžiť trvanie programu až o 20 minút.

MOŽNOSTI A FUNKCIE

MOŽNOSTI možno zvolit/zrušiť po zvolení programu priamo stlačením príslušného tlačidla (ak sú dostupné, rozsvietia sa kontrolka) (pozri OVLÁDACÍ PANEL). Ak možnosť nie je kompatibilná so zvoleným programom (pozri TABUĽKU PROGRAMOV), 3 razy rýchlo zabliká príslušná LED kontrolka a ozve sa pípanie. Možnosť sa neaktivuje. Voliteľnou možnosťou možno zmeniť čas alebo spotrebu vody alebo energie pre program.

POWER CLEAN® - Vďaka prídavným výkonným dýzám táto funkcia umožňuje intenzívnejšie a účinnejšie umývanie v spodnom koši, v špecifickej oblasti. Táto možnosť sa používa na umývanie hrncov a kastrolov (Pozri časť Power Clean® naplnenie).

POLOVIČNÁ NÁPLŇ - Ak máte na umývanie málo riadov, používa sa polovičná náplň pre úsporu vody, elektriny alebo času v závislosti od zvoleného programu.

Nezabudnite znížiť množstvo umývacieho prostriedku.

EXTRA SUŠENIE - Vyššia teplota počas záverečného oplachovania a predĺžená fáza sušenia umožňuje lepšie sušenie. Možnosť EXTRA SUŠENIE predĺži cyklus umývania.

ODLOŽENÝ ŠTART-Začiatok programu možno posunúť o **30 minút až 24 hodín**.

1. Zvoľte program a akúkoľvek želanú možnosť. Opakovane stlačíte tlačidlo ODKLAD, čím posuniete začiatok programu. Dá sa nastaviť čas 0:30 až 24 hodín. Po dosiahnutí nastavenia 24 hodín znova stlačte ODKLAD na vypnutie funkcie ODKLAD.

2. Stlačte tlačidlo START/Pauza (ŠTART/Pauza) a zatvorte dvierka do 4 sekúnd.

3. Po uplynutí zvoleného času kontrolka zhasne a program sa automaticky spustí.

Po spustení programu už funkciu posunutia štartu nemožno nastaviť.

OBLÚBENÝ - Oblúbený program možno uložiť a bude ľahko prístupný. Vyhľadajte program pomocou PREDCHÁDZAJÚCI/DĀLSÍ a potom na 3 sekundy stlačte tlačidlo OBLÚBENÝ program.

ZATVORENÝ VODOVODNÝ VENTIL - **Upozornenie** - Bliká v prípade žiadneho prítoku vody alebo zatvoreného vodovodného ventilu.

NaturalDry - je konvekčný systém sušenia, ktorý automaticky otvorí dvierka počas/po fáze sušenia, čím zaistí výnimočný výsledok sušenia každý deň. Dvierka sa otvárajú pri teplote, ktorá neohrozi váš kuchynský nábytok, preto sa neotvorí. Ako doplnková ochrana pred parou bola k umývačke priložená špeciálne navrhnutá ochranná fólia.

Spôsob montáže ochrannej fólie nájdete v NÁVODE NA INŠTALÁCIU. Táto funkcia je aktivovaná štandardne, ale je možné ju deaktivovať v ponuke **PONUKA NASTAVENÍ**.

ODVÁPNIŤ - **Upozornenie** - Bolo zistené nahromadenie vodného kameňa na vnútorných komponentoch spotrebiča. Skontrolujte, či máte v **Nastaveniach Tvrdosti Vody** správnu hodnotu a v zásobníku soli **sol'** (pozri **PRVÉ POUŽITIE**), **potom použite odvápnovací prostriedok** (odporúča sa značka WPro) s **programom Autočistenie**. Po úspešnom odvápnení sa ikonka už nebude zobrazovať.

Ak sa vyššie uvedené činnosti nevykonajú, výkon spotrebiča sa zhorší. Upozornenie ODVÁPNIŤ začne blikat a na displeji sa zobrazí „dES“. Ak sa činnosť napriek tomu nevykoná, spotrebič dovolí spustiť iba určitý počet cyklov (zobrazený pri upozornení „dES“ na displeji) a potom sa **ZABLOKUJE**, aby zabránil poškodeniu komponentu, **a bude k dispozícii iba program Autočistenie**. Vykonanie odvápnenia spotrebič odblokuje. V prípade mimoriadne veľkého množstva vodného kameňa možno odvápnenie vykonať dva razy, aby bolo účinné.

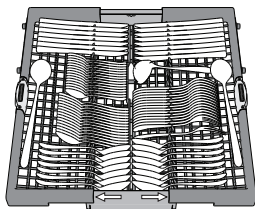
SNÍMANIE - Keď senzor zisťuje úroveň znečistenia, na displeji sa zobrazí animácia (asi 20 minút) a trvanie cyklu sa aktualizuje. Snímanie je pre úroveň znečistenia riadu a je pri všetkých cykloch (okrem Eko) a príslušne upraví progra.

UKLADANIE RIADU DO KOŠOV

KAPACITA: 14 štandardných súprav

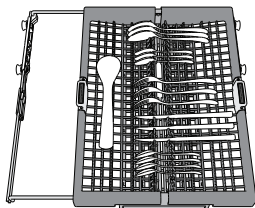
KOŠÍK NA PRÍBOR

Tretí košík je určený na ukladanie príboru. Príbor uložte, ako je uvedené na obrázku. Vďaka oddelenému uloženiu sa príbor po umytí ľahšie vyberá a dosiahne sa lepší výsledok umývania a sušenia.



Nože a ostatné kuchynské náčinie s ostrými okrajmi treba uložiť čepeľami nadol.

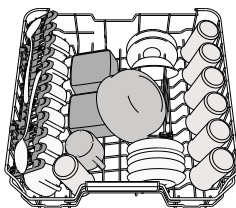
Košík na príbor je vybavený dvoma zasúvacími bočnými priehradkami, aby sa čo najviac využila výška spodného priestoru a dali sa uložiť vysoké veci do horného koša.



VRCHNÝ KÔŠ

Ukladajte doň krehké a ľahké nádoby: poháre, šálky, tanieriky, nízke šalátové misky. Vrchný kôš má oporu proti prevráteniu, ktorú možno použiť vo vertikálnej polohe pri ukladaní podšálok a dezertných tanierikov alebo v spodnej polohe na ukladanie misiek a nádob na jedlo.

(príklad naplnenia vrchného koša)



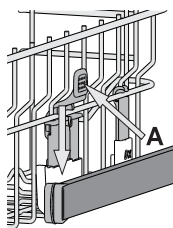
Nastavenie výšky vrchného koša

Výška vrchného koša je nastaviteľná: vysoká poloha umožňuje uložiť do spodného koša objemný riad a nízka poloha umožňuje čo najlepšie využiť opory proti prevráteniu vytvorením väčšieho miesta nahor a vyhnúť sa tomu, aby riad narážal o veci v spodnom koši.

Vrchný kôš je vybavený **nastavovačom výšky vrchného koša** (pozri obrázok), bez stláčania páčok ho jednoducho nadvihnite uchopením bočnic koša, len čo je kôš v stabilnej hornej polohe.

Na vrátenie do spodnej polohy stlačte páčky **A** na bočkoch koša a posuňte kôš nadol.

V žiadnom prípade neodporúčame nastavovať výšku koša, keď je plný. NIKDY nezdvíhajte ani nespúšťajte kôš iba na jednej strane.



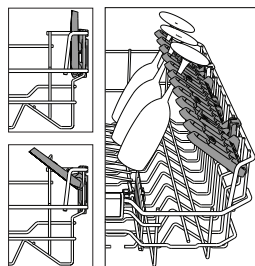
Sklápacie klapky s nastaviteľnou polohou

Bočné sklápacie opierky je možné sklopiť alebo vyklopiť, aby bolo možné optimalizovať usporiadanie riadu v zásuvke.

Vínové poháre možno bezpečne uložiť do sklápacích opierok vložením stopky pohára do príslušnej štrbiny.

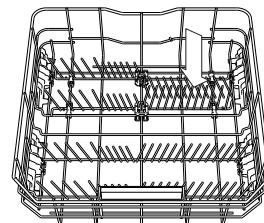
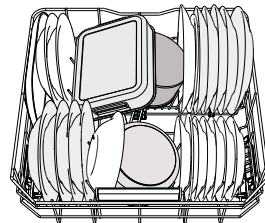
V závislosti od modelu:

- pri vyklápaní opierku posuňte hore a otočte ju alebo ju uvoľnite zo západiek a potiahnite ju dole.
- pri sklápaní opierku otočte a zasuňte ju dole alebo ju vytiahnite hore a zatlačte do západiek.



SPODNÝ KÔŠ

Na hrnce, pokrievky, taniere, šalátové misky, príbor a pod. Veľké taniere a pokrievky by mali byť uložené po bokoch, aby na ne ostrekovacie ramená nenarážali. Spodný kôš má opory proti prevráteniu, ktoré možno použiť v zvislej polohe pri ukladaní tanierov alebo v horizontálnej polohe (nižšie) pre ľahké uloženie panvic a šalátových misiek.



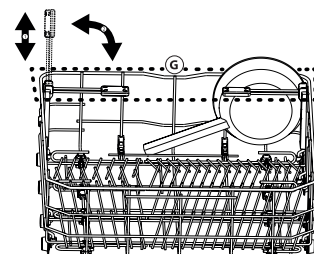
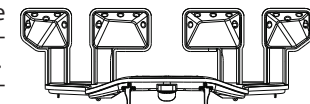
(príklad naplnenia spodného koša)

POWER CLEAN®

Funkcia Power Clean® využíva špeciálne vodné dýzy v zadnej časti priestoru na intenzívne umývanie veľmi špinavých nádob. Spodný kôš má oddeľovaciu zónu, špeciálnu vyťahovaciu oporu v zadnej časti koša, ktorá môže slúžiť na podopretie panvic alebo plechov na pečenie, aby boli v zvislej polohe a zabrali tak menej miesta. Po umiestnení hrncov/kastrólov oproti komponentu Power Clean® aktivujte na ovládacom paneli **POWER CLEAN**.

Ako používať Power Clean®:

1. Upravte priestor Power Clean® (**G**) sklopením zadných držiakov tanierov, aby sa tam zmestili hrnce.
2. Vložte vertikálne naklonené hrnce a kastróly do oblasti Power Clean®. Hrnce musia byť naklonené smerom k vodným dýzám.



STAROSTLIVOSŤ A ÚDRŽBA

ČISTENIE ZOSTAVY FILTRA

Zostavu filtra pravidelne čistite, aby sa filtre neupchali a odpadová voda mohla správne odtekať.

Ak používate umývačku riadu s upchatými filtrami alebo s cudzími telesami vo filtračnom systéme či v ostrekovacích ramenách, môže to spôsobiť poruchu s následným zhoršením výkonu, nárastom hluku alebo zvýšením spotreby.

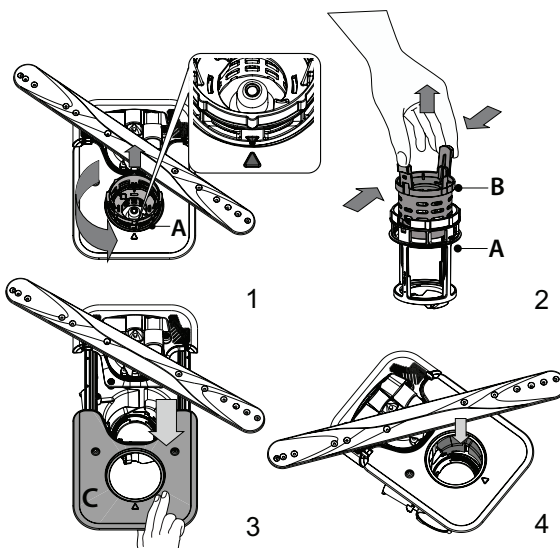
Zostava filtra pozostáva z troch filtrov, ktoré odstraňujú zvyšky jedla z umývačky a potom vodu recirkulujú.

Umývačku nesmiete používať bez filtrov, alebo ak je filter uvoľnený.

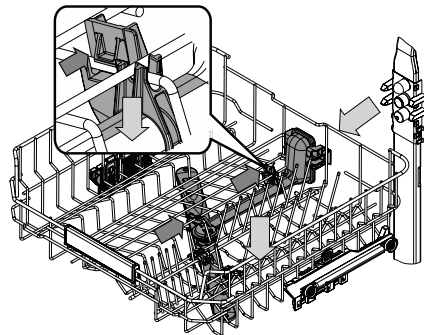
Aspoň raz mesačne alebo zakaždým po 30 cykloch skontrolujte zostavu filtra a v prípade potreby ju pomocou nekovovej kefy dôkladne vyčistite pod tečúcou vodou podľa nižšie uvedených pokynov:

1. Otočte valcovým filtrom **A** proti smeru hodinových ručičiek a vytiahnite ho (obr. 1). **Je dôležité, aby sa pri opätovnej inštalácii filtra dva trojuholníky zobrazené na zväčšenine stretli.**
2. Vytiahnite vrchný filter **B** jemným zatlačením na bočné klapky (obr. 2).
3. Vyberte plechový filter z nehrdzavejúcej ocele **C** (obr. 3).
4. V prípade, že nájdete cudzie telesá (napr. úlomky skla, porcelánu, kostí, ovocné semená a pod.), **opatrne ich vyberte.**
5. Skontrolujte sifón a odstráňte zvyšky jedla. **NIKDY NEVYBERAJTE ochranu čerpadla (označené šípku) (obr. 4).**

Po vyčistení filtrov zostavu filtrov vložte na miesto a zafixujte v správnej polohe; je to dôležité pre správnu činnosť umývačky.

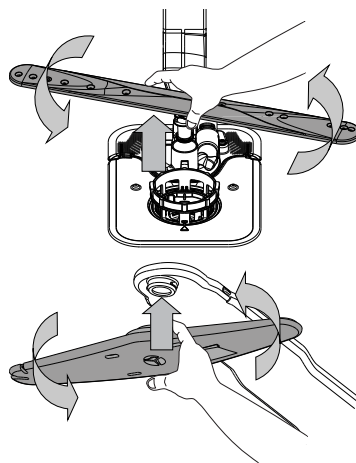


ČISTENIE OSTREKOVACÍCH RAMIEN



Občas sa zvyšky jedla môžu zasušiť aj na ostrekovacích ramenách a zablokovať diery, cez ktoré strieka voda. Preto sa odporúča občas ramená kontrolovať a čistiť ich malou nekovovou kefkou.

Ak chcete odstrániť horný ostrekovač, musíte ho odstrániť spolu s prírodným potrubím.



Spodné ostrekovacie rameno možno vybrať potiahnutím nahor a otočením proti smeru hodinových ručičiek. Znovu ho namontujete potiahnutím nadol a otočením v smere hodinových ručičiek.

Horné ostrekovacie rameno možno vybrať zatlačením nahor a otočením proti smeru hodinových ručičiek. Znovu ho namontujete potiahnutím nahor a otočením v smere hodinových ručičiek.

RIEŠENIE PROBLÉMOV

Ak vaša umývačka riadnu nefunguje správne, zistite, či problém nemožno vyriešiť po konzultácii s nasledujúcim zoznamom. V prípade ďalších chýb a problémov sa obráťte na autorizovaný popredajný servis, pričom kontaktné údaje nájdete v záručnej knižke. Náhradné diely budú k dispozícii počas 7 alebo až 10 rokov podľa konkrétnych požiadaviek nariadení.

PROBLÉMY	MOŽNÉ PRÍČINY	RIEŠENIA
Kontrolka soli svieti.	Zásobník soli je takmer prázdny.	Doplňte do zásobníka soľ (ďalšie informácie - pozri <i>PLNENIE ZÁSObNÍKA SOLI</i>). V prípade potreby skontrolujte nastavenie tvrdosti vody - pozri <i>TABUĽKA TVRDOSTI VODY</i> .
Kontrolka soli bliká	Zásobník soli je prázdny.	Čo najskôr doplňte do zásobníka soľ. Používanie spotrebiča bez soli môže poškodiť jeho vnútorné komponenty.
Kontrolka leštidla svieti alebo bliká	Dávkovač leštidla je prázdny. (Po doplnení leštidla môže kontrolka ešte krátko svietiť).	Naplňte dávkovač leštidlom (viac informácií - pozri <i>PLNENIE DÁVKOVAČA LEŠTIDLA</i>).
Kontrolka odvápnenia svieti alebo bliká; Zobrazuje sa varovanie „dES“.	Na vnútorných komponentoch spotrebiča sa hromadí vodný kameň.	Okamžite spotrebič odvápnite pomocou programu Autočistenie a komerčne dostupného odvápnovacieho prostriedku (pozri <i>MOŽNOSTI A FUNKCIE</i>). Doplňte do zásobníka soľ. Skontrolujte nastavenie tvrdosti vody. Ak spotrebič nie je odvápnenny, prestane pracovať.
Umývačka sa nespúšťa a nereaguje na príkazy.	Spotrebič nie je riadne pripojený do elektrickej zásuvky.	Zastrčte zástrčku do zásuvky.
	Výpadok prúdu.	Z bezpečnostných dôvodov sa po obnove prívodu elektrickej energie umývačka riadu nereštaruje automaticky. Otvorte dvierka umývačky, stlačte tlačidlo ŠTART/Pauza a zatvorte dvierka do 4 sekúnd.
	Dvierka umývačky nie sú zatvorené. Kolík NaturalDry nie je vtiahnutý.	Energicky dvierka zatlačte tak, aby ste počuli „cvaknutie“.
	Cyklus je prerušený otvorením dvierok na viac ako 4 sekundy.	Do 4 sekúnd zatvorte dvierka a stlačte tlačidlo ŠTART/Pauza.
Z umývačky neodtiekla voda. Zobrazenie na displeji: F7 E3 alebo F9 E1	Filter je upchatý zvyškami jedla alebo vodným kameňom.	Vyčistite filter a spotrebič odvápnite (pozri <i>ČISTENIE ZOSTAVY FILTRA</i> a <i>NÁVOD NA ODVÁPNENIE</i>).
	Zalomená odtoková hadica.	Skontrolujte odtokovú hadicu (pozri <i>NÁVOD NA INŠTALÁCIU</i>).
	Odtokové potrubie drezu je upchaté.	Vyčistite odtokové potrubie drezu.
Umývačka vydáva nadmerný hluk.	Nádoby o seba hrkocú.	Uložte nádoby správne (pozri <i>UKLADANIE RIADU DO KOŠOV</i>).
	Vzniká nadmerné množstvo pary.	Umývací prostriedok nebol dávkovaný správne alebo nie je vhodný do umývačiek (pozri <i>PLNENIE DÁVKOVAČA UMÝVACIEHO PROSTRIEDKU</i>). Reštartujte aktuálny cyklus vypnutím umývačky, potom ju znova zapnite, zvolte nový program, stlačte ŠTART/Pauza a do 4 sekúnd zatvorte dvierka. Nepridávajte čistiaci prostriedok.
	Riad nebol správne uložený.	Uložte nádoby správne (pozri <i>UKLADANIE RIADU DO KOŠOV</i>).
	Filter je upchatý zvyškami jedla alebo vodným kameňom.	Vyčistite zostavu filtrov (pozri <i>STAROSTLIVOSŤ A ÚDRŽBA</i>).
Riad nie je čistý.	Riad nebol správne uložený.	Uložte nádoby správne (pozri <i>UKLADANIE RIADU DO KOŠOV</i>).
	Ostrekovacie ramená sa nemôžu voľne točiť, bránia im v tom kusy riadu.	Uložte nádoby správne (pozri <i>UKLADANIE RIADU DO KOŠOV</i>). Skontrolujte, či je horný kôš v správnej polohe a prípade potreby ho upravte (zdvihnite).
	Umývací cyklus je príliš jemný.	Vyberte príslušný umývací cyklus (pozri <i>TABUĽKU PROGRAMOV</i>).
	Vzniká nadmerné množstvo pary.	Umývací prostriedok nebol dávkovaný správne alebo nie je vhodný do umývačiek riadu (pozri <i>PLNENIE DÁVKOVAČA UMÝVACIEHO PROSTRIEDKU</i>).
	Veko priehradky na leštadlo nebolo správne uzavreté.	Presvedčte sa, či je veko dávkovača leštidla uzavreté.
	Filter je upchatý zvyškami jedla alebo vodným kameňom.	Vyčistite filter a spotrebič odvápnite (pozri <i>ČISTENIE ZOSTAVY FILTRA</i>).
Umývačka sa neplní vodou. Zobrazenie na displeji: H2O a svieti; ozýva sa zvukový alarm.	Zásobník soli je prázdny.	Naplňte zásobník soli (pozri <i>PLNENIE ZÁSObNÍKA SOLI</i>).
	V prívode nie je voda alebo je uzavretý ventil.	Presvedčte sa, či je v prívode voda a či je kohútik otvorený.
	Prívodná hadica je ohnutá.	Skontrolujte prívodnú hadicu (pozri <i>INŠTALÁCIA</i>). Otvorte dvierka umývačky, stlačte tlačidlo ŠTART/Pauza a zatvorte dvierka do 4 sekúnd.
	Sieťko v prívodnej hadici je upchaté. Je nevyhnutné ho vyčistiť.	Skontrolujte a vyčistite sieťko v prívodnej hadici. Otvorte dvierka umývačky, stlačte tlačidlo ŠTART/Pauza a zatvorte dvierka do 4 sekúnd.

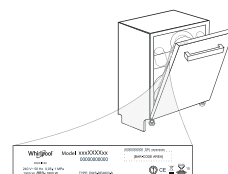
PROBLÉMY	MOŽNÉ PRÍČINY	RIEŠENIA
Umývačka predčasne ukončuje cyklus. Zobrazenie na displeji: F8 E3	Filter je upchatý zvyškami jedla alebo vodným kameňom.	Vyčistite filter a spotrebič odvápnite (<i>pozri ČISTENIE ZOSTAVY FILTRA a NÁVOD NA ODVÁPNEIE</i>).
	Odtoková hadica je umiestnená príliš nízko alebo voda odteká do domáceho odpadového systému.	Skontrolujte, či je koniec odtokovej hadice umiestnený v správnej výške (<i>pozri INŠTALÁCIA</i>). Skontrolujte odvádzanie do systému domového odpadu, v prípade potreby namontujte vypínač odtoku/ventil prívodu vzduchu.
	Vzniká nadmerné množstvo pary.	Umývací prostriedok nebol dávkovaný správne alebo nie je vhodný do umývačiek riadu (<i>pozri PLNENIE DÁVKOVAČA UMÝVACIEHO PROSTRIEDKU</i>).
	V prívode vody je vzduch.	Skontrolujte, či v prívode vody nie sú netesnosti alebo iné problémy, pre ktoré uniká vzduch dovnútra.
Riad nie je dobre vysušený.	V dávkovači nie je leštidlo alebo je dávka príliš malá.	Presvedčte sa, či je dávkovač leštidla plný (<i>pozri PLNENIE DÁVKOVAČA LEŠTIDLA</i>). Iba multifunkčné tablety nezabezpečia taký dobrý výsledok sušenia ako použitie tekutého leštidla.
	Riad bol vyložený po automatickom otvorení dvierok, ale pred skutočným ukončením cyklu.	Predtým ako začnete riad vykladať, presvedčte sa, či sa cyklus skončil (<i>pozri KAŽDODENNÉ POUŽÍVANIE</i>). Pre ešte lepší výsledok sušenia sa odporúča nechať riad v umývačke pri otvorených dvierkach ďalších 15 minút po skončení cyklu.
	Riad je uložený príliš na plocho.	Ak v šalkách, pohároch alebo miskách zbadáte kaluže vody, skúste ukladať riad (najmä v hornom koši) väčšmi naklonený, aby väčšie množstvo vody pred sušením odtieklo.
	Zvolený cyklus nemá fázu sušenia.	Overte si v <i>TABULKE PROGRAMOV</i> , či má zvolený program fázu sušenia. Cyklus bez fázy sušenia nemusí dosahovať želanú účinnosť sušenia, preto sa odporúča vybrať radšej cyklus, ktorý má fázu sušenia.
	Nádoby majú úpravu proti pripáleniu alebo sú z plastu.	Je normálne, že na takomto type materiálu zostávajú nejaké kvapky vody.
Na riade a pohároch sú modré pásy alebo majú modrastý odtieň.	Dávka leštidla je priveľmi veľká.	Nastavte dávkovanie na nižšie hodnoty.
Na riadoch a pohároch sú usadeniny vodného kameňa alebo biely povlak.	Zásobník soli je prázdny.	Čo najskôr doplňte do zásobníka soľ. Používanie spotrebiča bez soli môže poškodiť jeho vnútorné komponenty.
	Je nastavená príliš nízka tvrdosť vody.	Zvýšte hodnoty tvrdosti vody (<i>pozri TABULKU TVRDOSTI VODY</i>).
	Uzáver zásobníka soli nie je dobre zavretý.	Skontrolujte a zatvorte záver zásobníka soli.
	Zásobník leštidla je prázdny alebo dávkovanie leštidla je nedostatočné.	Naplňte dávkovač leštidlom a skontrolujte nastavenie dávkovania (viac informácií nájdete - <i>pozri PLNENIE DÁVKOVAČA LEŠTIDLA</i>).
Umývačka riadu zobrazuje F8 E5	Ventil je zablokovaný alebo chybný.	Zatvorte ventil prívodu vody, ak je to možné. Nevypínajte napájanie. Zavolajte servis.



Firemné zásady, štandardnú dokumentáciu, objednávanie náhradných dielov a ďalšie informácie o produkte nájdete na:

- Pomocou QR kódu a na našej webovej stránke: docs.whirlpool.eu/docs
- Na našej webovej stránke: parts-selfservice.europeanappliances.com
- Prípadne **sa obráťte na náš popredajný servis** (Telefónne číslo nájdete v záručnej knižke). Pri kontaktovaní nášho popredajného servisu uveďte, prosím, kódy z výrobného štítku vášho spotrebiča.

Informácie o modele získate cez QR kód na energetickom štítku. Na štítku tiež nájdete identifikačné číslo modelu, ktoré môžete použiť na vyhľadávanie v registri na portáli <https://eprel.ec.europa.eu>.





HVALA, KER STE KUPILI IZDELEK ZNAMKE WHIRLPOOL. Za popolno podporo aparat registrirajte na spletni strani: www.whirlpool.eu/register

Pred uporabo aparata pozorno preberite varnostna navodila in navodila za namestitve. Več informacij o vašem izdelku je na voljo na spletni strani: docs.whirlpool.eu/docs

⚠ Po namestitvi iz pomivalnega stroja ne pozabite odstraniti vseh transportnih varoval.

UPRAVLJALNA PLOŠČA

1. Tipka za **VKLOP-IZKLOP/Ponastavitev** s signalno lučko
2. Programska tipka **NAZAJ**
3. Programska tipka **NAPREJ**
4. Tipka programa **PRILJUBLJENI** s signalno lučko
5. Signalna lučka prazne posode za **Sol**
6. Signalna lučka prazne posode **Sredstva Za Izpiranje**
7. Signalna lučka **ODSTRANJEVANJE VODNEGA KAMNA**
8. Signalna lučka za **Zaprto Vodovodno Pipo**
9. Zaslon
10. Številka programa in prikaz preostalega časa
11. Tipka za možnost **Power Clean®** s signalno lučko



12. Tipka za možnost **Polovična Polnitev** s signalno lučko/Nastavitve – pritisek za 3 sekunde
13. Tipka za možnost **Ekstra Suho** s signalno lučko
14. Tipka za možnost **Zamik Vklopa** s signalno lučko
15. Tipka za **ZAGON/Premor** s signalno lučko

PRVA UPORABA

NASTAVITVENI MENI

1. Vključite aparat s pritiskom na tipko za **VKLOP/IZKLOP**.
2. Pritisnite tipko za **Nastavitve** (Polovična Polnitev) in jo zadržite za 3 sekunde, dokler ne zaslišite zvočnega signala, na zaslonu pa se prikaže napis „**SET**“.
3. Po eni sekundi se prikaže prva razpoložljiva nastavitvev (črka „h“).
4. Pritisnite tipko **NAZAJ </NAPREJ >**, da se pomaknete po seznamu razpoložljivih nastavitvev (glejte spodnjo tabelo), nato pa pritisnite tipko **ZAGON/Premor**, da prikažete in spremenite vrednost trenutno izbrane nastavitvev.
5. Pritisnite tipko **NAZAJ </NAPREJ >**, da spremenite vrednost, nato pa še tipko **ZAGON/Premor**, da shranite novo vrednost in se vrnete v glavni meni.
6. Za spreminjanje nadaljnjih nastavitvev ponovite postopek iz točk 4 in 5.
7. Pritisnite tipko **VKLOP/IZKLOP** ali počakajte 30 sekund za izhod iz menija.

Nastavitev Trdote Vode

Za brezhibno delovanje sistema za mehčanje vode je ključnega pomena, da nastavitev trdote vode ustreza dejanskim vrednostim trdote vode v vašem domu. Te vrednosti so vam na voljo pri krajevem vodovodnem podjetju. Tovarniška nastavitvev je „3“. Glejte poglavje „TABELA TRDOTE VODE“.

Stopnja	Preglednica Trdote Vode		
	°dH Nemške stopinje	°fH Francoske stopinje	°Clark Angleške stopinje
1 (mehka)	0 - 6	0 - 10	0 - 7
2 (srednja)	7 - 11	11 - 20	8 - 14
3 (povprečna)	12 - 16	21 - 29	15 - 20
4 (trda)	17 - 34	30 - 60	21 - 42
5 (zelo trda)	35 - 50	61 - 90	43 - 62

Za izvedbo sprememb sledite navodilom v poglavju „NASTAVITVENI MENI“. Uporabite sol, ki je bila zasnovana posebej za pomivalne stroje.

Ko dodate sol, signalna lučka za NIZKO RAVEN SOLI ugasne. Če posoda za sol ni napolnjena, se lahko sistem za mehčanje vode in grelnik poškodujeta zaradi nabiranja vodnega kamna. Uporaba soli je priporočljiva s katero koli vrsto sredstva za pomivanje posode.

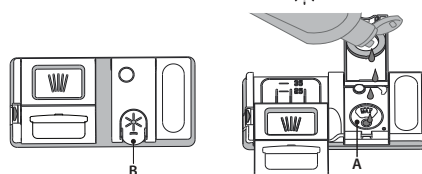
SISTEM ZA MEHČANJE VODE

Sistem za mehčanje vode samodejno zmanjša trdoto vode, kar preprečuje kopičenje oblog na grelniku in prispeva k večji učinkovitosti pomivanja. Ta sistem se obnovi z regeneracijsko soljo, zato morate poskrbeti, da je posoda za sol napolnjena. Pogostost regeneracije je odvisna od nastavitve stopnje trdote vode – regeneracija poteka enkrat na 4-6 Eko ciklov, pri čemer je stopnja trdote vode nastavljena na 3. Postopek regeneracije se izvede na začetku cikla z dodatno svežo vodo.

- Posamezna regeneracija porabi: ~3 l vode;
- Cikel traja do 5 minut dlje;
- Porabi manj kot 0,005 kWh električne energije.

POLNJENJE POSODE ZA TEKOČINO ZA LESK

Tekočina za lesk olajša SUŠENJE posode. Posodo za tekočino za lesk A je treba napolniti, ko na upravljalni plošči zasveti signalna lučka za NIZKO RAVEN TEKOČINE ZA LESK.



1. Posodo **B** odprete tako, da pritisnete na jeziček na pokrovčku in ga povlečete.
2. Tekočino za lesk previdno nalijete do oznake za maksimum (110 ml), pri čemer pazite, da tekočine ne polivate. Če se to vseeno zgodi, razlито tekočino nemudoma pobrišite s suho krpo.

3. Pritisnite na pokrovček, da se slišno zaskoči. Tekočine za lesk NE nalivajte neposredno v kad.

Nastavitev Odmerjanja Tekočine Za Lesk

Če rezultati sušenja niso popolnoma zadovoljivi, lahko spremenite količino uporabljene tekočine za lesk.

Če je raven tekočine za lesk nastavljena na NULA, aparat ne bo dovajal tekočine za lesk. Signalna lučka za NIZKO RAVEN TEKOČINE ZA LESK ne bo zasvetila, če tekočine za lesk zmanjka.

ČRKA	NASTAVITEV	VREDNOSTI (Privzeto – v krepkem tisku)
h	Stopnja Trdote Vode (glejte poglavje NASTAVITEV TRDOTE VODE in PREGLEDNICA TRDOTE VODE)	1 2 3 4 5
S	Stopnja Dodajanja Izpiralnega Sredstva (glejte poglavje NASTAVITEV ODMEJANJA TEKOČINE ZA LESK)	0 1 2 3 4 5
0	NaturalDry (glejte poglavje MOŽNOSTI IN FUNKCIJE) "1" = Vkllop, "0" = Izklop	1 0
h	Zvok "1" = Vkllop, "0" = Izklop	1 0
i	Tovarniške Nastavitve Pritisnite tipko ZAGON/Premor, da vse vrednosti nastavitvev iz nastavitvenega menija povrnete na tovarniške vrednosti.	-

POLNJENJE POSODE ZA SOL

Uporaba soli preprečuje nastajanje VODNEGA KAMNA na posodi in na delujočih komponentah aparata.

Posoda za sol je nameščena v spodnjem delu pomivalnega stroja (na levi strani pod spodnjo košaro).

- Obvezno je, da posoda za sol ni nikoli prazna.
- Trdoto vode je treba obvezno nastaviti
- Posodo za sol je treba napolniti, ko na nadzorni plošči sveti signalna lučka NIZKA RAVEN SOLI.



1. Izvzemite spodnjo košaro in odvijte pokrovček posode (v nasprotni smeri urnega kazalca).
2. Namestite lijak (glejte sliko) in posodo za sol napolnite do roba (približno 0,5 kg); nič nenavadnega ni, če pri tem iz posode izteče nekaj vode.
3. Samo ob prvi uporabi: posodo za sol napolnite z vodo.

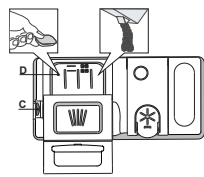
4. Odstranite lijak in obrišite ostanke soli okrog odprtine. Pokrovček mora biti trdno privit, da pomivalno sredstvo med pomivanjem ne more prodreti v posodo (to bi lahko sistem za mehčanje vode nepopravljivo poškodovalo).

Po vsakem polnjenju posode za sol takoj zaženite program, da preprečite nastanek korozije.

- Glede na model pomivalnega stroja je mogoče nastaviti največ **6** stopnje.
- Če so na posodi modre črte, nastavite nižjo vrednost (0-3).
 - Če so na posodi sledi vodnih kapljic ali vodnega kamna, nastavite višjo vrednost (4-5).

POLNJENJE PREKATA ZA POMIVALNO SREDSTVO

Da odprete prekat za pomivalno sredstvo, uporabite odpiralo C. Pomivalno sredstvo dodajte samo v suh prekat D. Količino pomivalnega sredstva za predpomivanje odmerite neposredno v kad.



1. Pri odmerjanju pomivalnega sredstva glejte prej omenjene podatke, da boste odmerili ustrezno količino. V prekату **D** so označbe za pomoč pri doziranju pomivalnega sredstva.
2. Odstranite ostanke pomivalnega sredstva z robov prekata in zaprite pokrovček tako, da se slišno zaskoči.
3. Zaprite pokrovček prekata za pomivalno sredstvo tako, da ga potiskate navzgor, dokler zapiralo ni na svojem mestu.

Prekat za pomivalno sredstvo se ob pravem času glede na dani program samodejno odpre.

Uporaba pralnega sredstva, ki ni namenjen strojnemu pomivanju, lahko povzroči nepravilno delovanje ali aparat poškoduje.

VSAKODNEVNA UPORABA

1. PREVERJANJE PRIKLOPA VODE

Preverite, ali je pomivalni stroj priključen na dovod vode in ali je vodovodna pipa odprta.

2. VKLOP POMIVALNEGA STROJA

Odprite vrata in pritisnite tipko **VKLOP/IZKLOP**.

3. NALAGANJE POSODE V KOŠARE (glej NALAGANJE KOŠAR).

4. POLNJENJE PREKATA ZA POMIVALNO SREDSTVO

5. IZBIRA PROGRAMA IN NASTAVITEV MOŽNOSTI

Izberite najprimernejši program glede na vrsto posode in stopnjo umazanosti (glejte OPISI PROGRAMOV), s pritiskom na gumb **NAZAJ/NAPREJ**. Izberite zelene možnosti (glejte MOŽNOSTI IN FUNKCIJE). Vse možnosti niso združljive z vsemi programi.

6. ZAGON

Pomivanje zaženete tako, da pritisnete na tipko **ZAGON/Premor** (LED-lučka zasveti) in v 4 sekundah zaprete vrata. Ob začetku programa se oglasi zvočni signal. Če v 4 sekundah ne zaprete vrat, se oglasi zvočno opozorilo. V tem primeru odprite vrata, pritisnite tipko **ZAGON/Premor** nato pa vrata v 4 sekundah znova zaprite.

7. KONEC POMIVANJA

Ob koncu pomivanja se zasliši zvočni signal in na prikazovalniku se prikaže napis **END** (KONEC). Odprite vrata in s pritiskom na tipko **VKLOP/IZKLOP** izklopite aparat.

Preden odstranite posodo, počakajte nekaj minut, da se ne opečete. Izpraznite košare, pri čemer začnite s spodnjo.

SPREMINJANJE PROGRAMA V TEKU

Če ste izbrali napačen program, ga lahko spremenite pod pogojem, da se je program pravkar zagnal. **PONASTAVITEV** aparata: zadržite tipko **VKLOP/IZKLOP** vsaj 3 sekunde in tako izklopite aparat. **Na zaslonu se prikaže „0:01“**. Zaprite vrata in počakajte, da se cikel izčrpanja konča (približno 1 minuto). Odprite vrata in aparat znova vklopite s pritiskom na tipko **VKLOP/IZKLOP** in izberite nov program pomivanja ter zelene možnosti. Program zaženete tako, da pritisnete tipko **ZAGON/Premor** in v 4 sekundah zaprete vrata.

VSTAVLJANJE DODATNE POSODE

Ne da bi aparat izklopili, počasi odprite vrata, da vas ne poškropi voda (utripati začne LED-lučka za **ZAGON/Premor**) (**Pozor: Vroča para!**) in vstavite posodo v pomivalni stroj. Pritisnite tipko **ZAGON/Premor** in v 4 sekundah zaprite vrata, program pa se bo nadaljeval od tam, kjer je bil prekinjen.

NENAMERNE PREKINITVE

Če med pomivanjem odprete vrata ali če pride do izpada električne energije, se program zaustavi. **SAMO ČE PRITISNETE** tipko **ZAGON/Premor** in v 4 sekundah zaprete vrata, se bo program nadaljeval od tam, kjer je bil prekinjen.

NASVETI IN NAMIGI

NASVETI

Preden posodo naložite v košare, iz nje odstranite vse ostanke hrane, kozarce pa izpraznite. **Posode vam pred pomivanjem ni treba izprati pod tekočo vodo.**

Posodo naložite tako, da je trdno nameščena in se ne prevrne; posode naložite z odprtim delom navzdol, konkavne/konveksne kose pa poševno, da tako omogočite prost pretok vode za pomivanje vseh površin.

Pozor: pokrovi, ročaji, pladnji in ponve ne smejo ovirati vrtenja pršilnih rok. V košarico za pribor lahko naložite katere koli manjše kose.

Zelo umazane lonce in ponve položite v spodnjo košaro, saj so curki vode v tem delu močnejši, kar izboljša rezultat pomivanja.

Ko v aparat zložite posodo, se prepričajte, da se pršilne roke neovirano vrtijo.

NEUSTREZNA POSODA

- Lesena posoda in pribor.
 - Občutljivi okrašeni kozarci, umetniška ročna dela in starinski pribor. Okras na teh predmetih ni dovolj obstojen.
 - Predmeti iz sintetičnih materialov, ki niso odporni na visoke temperature.
 - Bakrena in pločevinasta posoda.
 - Posoda, umazana od pepela, voska, maziv ali črnila.
- Barva steklenih okraskov in aluminijastih/srebrnih predmetov se lahko med pomivanjem spremeni in zbledi. Nekatero vrsto stekla (npr. predmeti iz kristala) lahko po nekaj pomivanjih postanejo motne.

POŠKODBE KOZARCEV IN POSODE

- Pomivajte le kozarce in porcelan, za katere proizvajalec jamči, da jih lahko pomivate v pomivalnem stroju.
- Uporabite blago pomivalno sredstvo, ki je primerno za posodo.
- Kozarce in posodo iz pomivalnega stroja vzemite takoj po koncu programa.

NAMIGI ZA VARČEVANJE Z ENERGIJO

- Kadar gospodinjiski pomivalni stroj uporabljate v skladu z navodili proizvajalca, **pomivanje posode v pomivalnem stroju običajno porabi manj ENERGIJE in vode kot ročno pomivanje posode.**
- Za povečanje učinkovitosti pomivalnega stroja priporočamo, da pomivalni cikel zaženete, ko je pomivalni stroj popolnoma napolnjen. Nalaganje gospodinjiskega pomivalnega stroja do zmogljivosti, ki jo je navedel proizvajalec, pripomore k prihranku energije in vode. Informacije o pravilnem nalaganju posode najdete v poglavju NALAGANJE KOŠAR. V primeru polovičnega polnjenja priporočamo, da uporabite ustrezne možnosti pomivanja, če so na voljo (polovično polnjenje/Zone Wash/Multizone), in naložite le izbrane košare. Nepravilno polnjenje ali preobremenitev pomivalnega stroja lahko poveča porabo virov (kot so voda, energija in čas, kot tudi raven hrupa), kar zmanjša učinkovitost pomivanja in sušenja.
- Ročno predpomivanje posode pomeni večjo porabo vode in energije in se zato ne priporoča.

HIGIENA

Da preprečite nastanek neprijetnih vonjav ali nabiranje oblog v pomivalnem stroju, **vsaj enkrat na mesec zaženite program z visoko temperaturo**. Uporabite eno žličko pomivalnega sredstva in program zaženite brez posode, da tako očistite pomivalni stroj.

ODPORNOST PROTI ZMRZALI

Če se stroj nahaja v okolju, kjer obstaja nevarnost zmrzali, **ga morate popolnoma izprazniti**. Zaprite vodovodno pipo, odstranite dovodno in odvodno cev ter pustite, da izteče vsa voda. **Prepričajte se, da je posoda s soljo do vrha zapolnjena z raztopljeno regeneracijsko soljo**, ki bo aparat ščitila pri temperaturah do -20°C .

Če ste aparat hranili v okolju, kjer je mogoča zmrzal, mora aparat pred prvo uporabo **vsaj 24 ur** stati v prostoru s temperaturo nad 5°C .

PROGRAMSKA TABELA

Program	Opisi programov	Faza sušenja	NaturalDry	Razpoložljive možnosti *)	Trajanje pomivanja (h:min)**)	Poraba vode (litri/pranje)	Poraba energije (kWh/pranje)
P1 Eco	Eko 50° - Program je primeren za pomivanje običajno umazane posode, saj je za to uporabo najučinkovitejši program z vidika kombinirane porabe energije in vode, poleg tega pa izpolnjuje skladnost z zakonodajo EU o okoljsko primerni zasnovi.	✓	✓		3:30	9,5	0,76
P2	Samodejno Intenzivno 65° - Samodejni program za zelo umazane ponve in lonce.	✓	✓		2:25-3:10	15,5-24,5	1,30-1,70
P3	Samodejno Mešano 55° - Samodejni program za običajno umazano posodo z zasušenimi ostanki hrane.	✓	✓		1:20-3:00	7,5-19,5	0,75-1,20
P4	Samodejno Hitro 50° - Samodejni program za rahlo do običajno umazano posodo. Vsakodnevno pomivanje in sušenje, ki v krajšem času zagotovi optimalne rezultate.	✓	✓		1:00-1:50	7,5-15,5	0,70-1,10
P5	Hitro 45° - Program priporočamo za omejeno količino rahlo umazane posode brez zasušenih ostankov hrane. Brez sušenja.	-	✓		0:30-0:40	10,0-12,0	0,55-0,65
P6	Kristal 45° - Program za posodo, ki je bolj občutljiva na visoke temperature (npr. kozarci in skodelice).	✓	✓		1:40-1:50	12,5-16,5	0,95-1,20
P7	Tiho 55° - Primeren za nočno delovanje aparata. Zagotavlja optimalne rezultate čiščenja in sušenja s kar najbolj tihim delovanjem.	✓	✓		3:50-4:10	10,5-14,5	0,80-1,15
P8	Dezinfekcija 65° - Za pomivanje običajno ali zelo umazane posode z dodatnim antibakterijskim pomivanjem. Lahko se ga uporabi tudi za vzdrževanje pomivalnega stroja.	✓	-		1:55-2:10	12,0-19,0	1,40-1,80
P9	Predpomivanje - Za predpomivanje posode, ki jo boste pomili pozneje. Za ta program pomivalno sredstvo ni potrebno.	-	✓		0:12	4,5	0,10
P10	Namakanje 65° - Program za vzdrževanje pomivalnega stroja. Uporabljajte ga samo, kadar je pomivalni stroj prazen, in sicer z namenski sredstvi za vzdrževanje pomivalnih strojev.	-	-		1:15	11,0	1,10

Meritve podatkov za program EKO so bile izvedene v laboratorijskih pogojih v skladu z evropskim standardom EN 60436:2020.

Opozorilo za preizkusne laboratorije: za informacije o pogojih izvajanja primerjalnega preizkusa EN pišite na naslednji elektronski naslov: dw_test_support@whirlpool.com

Predhodna obdelava posode ni potrebna pri nobenem programu.

*) Vseh možnosti ni mogoče uporabljati istočasno.

**) Vrednosti, podane za druge programe, razen za program Eko, so samo okvirne. Dejanski čas je odvisen od številnih faktorjev, kot so temperatura in tlak dovodne vode, sobna temperatura, količina pomivalnega sredstva, količina in vrsta posode, uravnotežena porazdelitev posode, dodatne izbrane možnosti in umerjanje senzorja. Umerjanje senzorja lahko program podaljša do 20 min.

MOŽNOSTI IN FUNKCIJE

MOŽNOSTI je mogoče izbrati/preklicati po izbiri programa in neposredno s pritiskom na ustrezno tipko (signalna lučka zasveti, če je na voljo) (glejte UPRAVLJALNA PLOŠČA). Če določena možnost ni združljiva z izbranim programom (glejte PROGRAMSKA TABELA), pripadajoča LED-lučka trikrat utripne in zasliši se zvočni signal. Možnost ne bo omogočena. Z možnostmi lahko spreminjate čas ter porabo vode in energije pri izbranem programu.

POWER CLEAN® - Zaradi dodatnih vodnih šob ta možnost zagotavlja intenzivnejše in učinkovitejše pomivanje posode na določenem območju spodnje košare. To možnost priporočamo za pomivanje loncev in večjih posod za pripravo hrane v pečici (glejte razdelek za Power Clean®).

POLOVIČNO POLNJENJE - Če ne nameravate oprati velike količine posode, lahko uporabite funkcijo polovičnega polnjenja, ki omogoča prihranek vode, elektrike ali časa, kar je odvisno od izbranega programa.

Ne pozabite dodati le manjše količine sredstva za pomivanje.

EKSTRA SUHO - Višja temperatura med zadnjim izpiranjem in podaljšan čas sušenja omogočata boljše rezultate sušenja. Možnost EKSTRA SUHO podaljša čas pomivanja.

ZAMIK VKLOPA - Začetek programa lahko zamaknete za obdobje, ki traja od 30 minut do 24 ur.

1. Izberite program in zelene možnosti. Za zakasnitev zagona programa večkrat pritisnite tipko ZAMIKVKLOPA. Izbirate lahko med pol do 24-urnim zamikom vklopa. Ko dosežete nastavitev 24 ur, znova pritisnite tipko ZAMIK VKLOPA, da izklopite funkcijo ZAMIK VKLOPA.

2. Pritisnite tipko ZAGON/Premor in v 4 sekundah zaprite vrata. Čas se začne odšteti.

3. Ko čas poteče, signalna lučka ugasne, program pa se samodejno zažene. **Ko je program zagnan, funkcije ZAMIK VKLOPA ni več mogoče nastaviti.**

ZAZNAVANJE - ko senzor zazna raven umazanije, se na zaslonu pojavi prikaz (prib. 20 min) in trajanje programa se posodobi. Funkcija zaznavanja je namenjena zaznavanju ravni umazanije na posodi, kateri se nato program prilagodi, na voljo pa je pri vseh programih (razen Eko).

ZAPRTO VODOVODNO PIPO – Alarm - Utripa, ko ni dovoda vode ali pa je pipa za vodo zaprta.

NaturalDry - Konvekcijski sušilni sistem, ki samodejno odpre vrata med sušenjem/po njem, kar vam zagotavlja vedno najboljše rezultate sušenja. Vrata se odpirajo pri temperaturi, ki je varna za vaše kuhinjsko pohištvo, zato se vrata ne odprejo.

Pomivalnemu stroju je priložena posebej zasnovana folija za zaščito pred paro.

Za informacije o namestitvi zaščitne folije glejte NAVODILA ZA NAMESTITEV. Ta funkcija je privzeto vklopljena, a jo lahko izklopite v „NASTAVITVENI MENI“.

ODSTRANJEVANJE VODNEGA KAMNA – Alarm - Na notranjih sestavnih delih naprave se je nabral vodni kamen. Preverite, ali je za **Nastavitev Trdote Vode** izbrana pravilna vrednost, in se prepričajte, **da je v posodi za sol dovolj soli** (glejte PRVA UPORABA). Nato uporabite sredstvo za odstranjevanje vodnega kamna (priporočamo blagovno znamko WPro) in zaženite **program za Samočiščenje**. Po uspešnem odstranjevanju vodnega kamna ikona ni več prikazana.

Če ne izvedete zgornjih postopkov, se bo zmogljivost izdelka zmanjšala. Začelo bo utripati opozorilo za odstranjevanje vodnega kamna, poleg tega pa se bo na zaslonu prikazal tudi alarm «DES». Če na tej točki še vedno niso izvedeni potrebni postopki, aparat omogoča zagon le določenega števila ciklov (navedenega med prikazom alarma «DES»), nato pa je uporaba funkcij onemogočena, da se prepreči poškodbe sestavnih delov; **na voljo je samo program samodejnega čiščenja**. Po izvedbi postopka za popolno odstranjevanje vodnega kamna bo uporaba izdelka znova **OMOGOČENA**. V primeru izredno velikih količin vodnega kamna boste za njegovo učinkovito odstranitev postopek morda morali izvesti dvakrat.

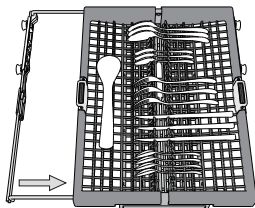
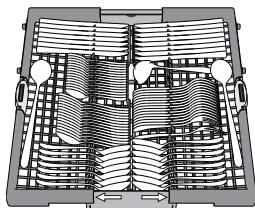
PRILJUBLJENI - PRILJUBLJENI program je mogoče shraniti, kar zagotavlja preprost dostop. Program poiščite s tipko **NAZAJ/NAPREJ**, nato pa pritisnite tipko PRILJUBLJENI program in jo zadržite za 3 sekunde.

KOŠARA ZA PRIBOR

Tretja košara je bila zasnovana za pribor. Pribor razporedite, kot prikazuje slika. Ustrezna razporeditev pribora olajša pobiranje pribora iz aparata po končanem pomivanju in izboljša rezultat pomivanja in sušenja.

Nože in druge ostre pripomočke naložite z rezili navzdol.

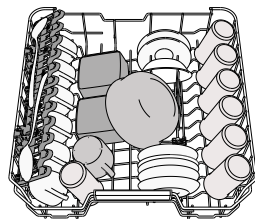
Košara za pribor je sestavljena iz dveh drsnih stranskih plošč, zaradi katerih lahko kar najbolje izkoristite prostor pod njo, v zgornjo košaro pa lahko naložite višje predmete.



ZGORNJA KOŠARA

Vanjo naložite občutljivo in lahko posodo: kozarce, skodelice, krožnike in nizke sklede za solato. Zgornja košara ima postavljiva držala, ki jih lahko dvignete, ko vanjo nalagate čajne ali desertne krožnike, oz. poležete, ko vstavljate skodelice in posode za hrano.

(primer nalaganja posode v zgornjo košaro)



Nastavitev Višine Zgornje Košare

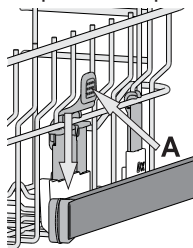
Višino zgornje košare je mogoče nastaviti: zgornji položaj omogoča zlaganje večje posode v spodnjo košaro, s spodnjim položajem pa lahko bolje izkoristite postavljiva držala. S pomikom košare ustvarite več prostora in preprečite trk s posodo, ki je naložena v spodnjo košaro.

Zgornja košara je opremljena z **regulatorjem višine** (glejte sliko). Brez pritiska na ročice jo dvignite tako, da jo preprosto držite na obeh straneh in jo dvigate, dokler ni stabilno nameščena v zgornjem položaju.

Da košaro znižate v spodnji položaj pritisnite na ročici **A** na straneh košare in jo pomaknite navzdol.

Močno odsvetujemo nastavljanje višine košare, ko je ta polna.

Košare NIKDAR ne dvigajte ali spuščajte samo na eni strani.

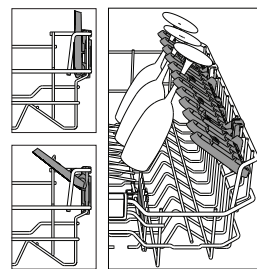


Zložljiva polička z nastavljivim položajem

Stranske zložljive poličke je mogoče sklopiti ali razklopiti, da lahko tako posodo kar najbolje razporedite po zgornji košari.

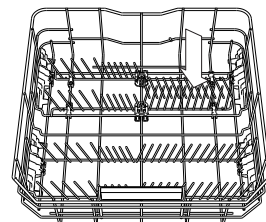
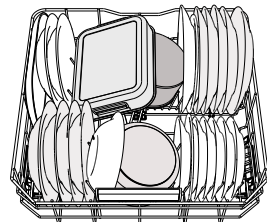
Kozarce za vino lahko z zložljivo poličko zavarujete tako, da njihove peclje vstavite v ustrezne zareze. Glede na model pomivalnega stroja:

- če želite razklopiti poličko, jo povlecite navzgor in jo obrnite ali sprostite iz zapahov ter jo povlecite navzdol.
- če želite sklopiti poličko, jo obrnite, povlecite navzdol ali jo povlecite navzgor in namestite v zapaha.



SPODNJA KOŠARA

Za lonce, pokrovke, krožnike, solatne sklede, pribor itd. Najboljše je, da večje krožnike in pokrovke naložite na strani, da tako ne ovirajo pršilne roke. Spodnja košara ima postavljiva držala, ki jih lahko dvignete, ko vanjo nalagate krožnike, oz. poležete, ko vstavljate ponve in solatne sklede.



(primer zlaganja posode v spodnjo košaro)

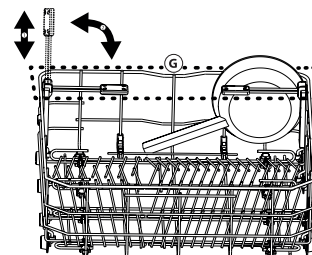
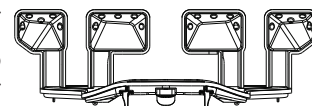
POWER CLEAN®

Sistem Power Clean® uporablja posebne vodne šobe na zadnji notranji stani, ki omogočajo intenzivnejše čiščenje zelo umazane posode. Spodnja košara je opremljena s **Space Zone**, ki je poseben izvelični opornik na zadnji strani košare. Uporabite ga lahko za podporo ponev ali pekačev v pokončnem položaju, s čimer prihranite prostor.

Ko v aparat vstavite lonce/večje posode za pripravo hrane v pečici v smeri sistema Power Clean®, vklopite funkcijo **POWER CLEAN®** na upravljalni plošči.

Uporaba sistema Power Clean®:

1. Območje Power Clean® (**G**) nastavite tako, da poklopite zadnja držala za krožnike, s čimer ustvarite več prostora za zlaganje loncev.
2. V območju Power Clean® lonce in večje posode za pripravo hrane v pečici naložite v navpičnem in poševnem položaju. Lonci morajo biti nagnjeni v smeri vodnih šob.



SERVIS IN VZDRŽEVANJE

ČIŠČENJE FILTRIRNEGA SKLOPA

Filtrirni sklop redno čistite, da se filtri ne zamašijo in da odpadna voda pravilno odteka.

Uporaba pomivalnega stroja z zamašenimi filtri ali tujki znotraj filtracijskega sistema ali pršilnih rok lahko povzroči okvaro aparata, kar se kaže v izgubi učinkovitosti, hrupnem delovanju ali višjo porabo virov.

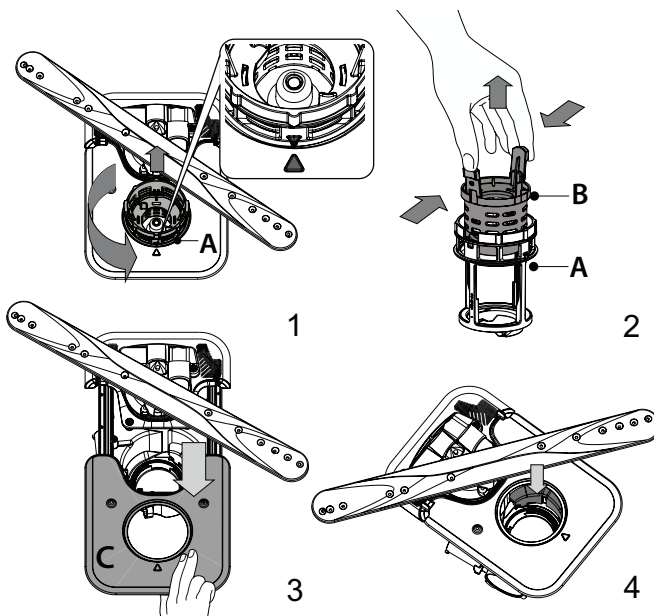
Filtrirni sklop je sestavljen iz treh filtrov, ki iz pomivalne vode odstranjujejo ostanke hrane in vodo ponovno usmerijo v aparat: za doseg najboljših rezultatov pri pomivanju morajo biti filtri čisti.

Pomivalnega stroja ni dovoljeno uporabljati brez filtrov ali z nepritrženimi filtri.

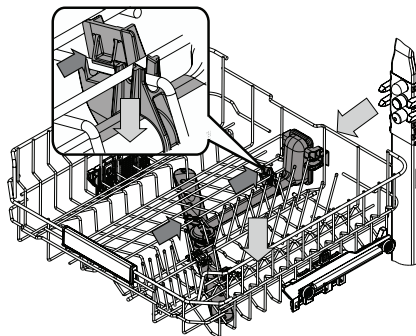
Vsaj enkrat na mesec ali po vsakih 30 ciklih preverite sklop filtra in ga po potrebi temeljito očistite pod tekočo vodo in z nekovinsko krtačo, pri čemer upoštevajte spodnja navodila:

1. Cilindrični filter **A** zavrtite v nasprotni smeri urnega kazalca in ga izvlcite (Slika 1). **Pri ponovni namestitvi filtra je pomembno, da se dva trikotnika, prikazana na povečavi, stikata.**
2. Odstranite mrežico filtra **B** tako, da nekoliko stisnete stranska jezička (Slika 2).
3. Izvlcite ploščo iz nerjavnega jekla za filter **C** (Slika 3).
4. V primeru, da najdete tujke (kot so razbito steklo, porcelan, kosti, sadna semena itd.), jih **previdno odstranite.**
5. Preglejte mrežico in iz nje odstranite ostanke hrane. **NIKOLI NE ODSTRANITE** zaščitne črpalke pri pomivanju (označeno s puščico) (Slika 4).

Ko ste očistili filtre, filtrirni sklop znova sestavite in ga pritrдите v pravi položaj. Ta postopek je ključnega pomena pri vzdrževanju brezhibnega delovanja pomivalnega stroja.

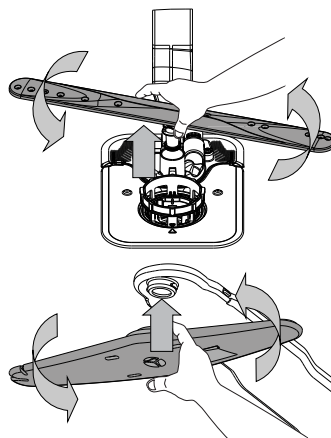


ČIŠČENJE PRŠILNIH ROK



Občasno se lahko na pršilnih rokah naberejo ostanki hrane in zamašijo luknjice, iz katerih brizga voda. Zato priporočamo, da roke od časa do časa preverite in jih očistite z majhno nekovinsko krtačko.

Če želite odstraniti zgornje pršilo, ga morate odstraniti skupaj s cevovodom.



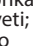
Spodnjo pršilno roko odstranite tako, da jo potegnete navzgor in obračate v nasprotni smeri urnega kazalca. Pršilno roko namestite nazaj tako, da jo potisnete navzdol in zavrtite v smeri urnega kazalca.

Zgornjo pršilno roko odstranite tako, da jo potisnete navzgor in nato zavrtite v nasprotni smeri urnega kazalca. Pršilno roko namestite nazaj tako, da jo potisnete navzgor in zavrtite v smeri urnega kazalca.

ODPRAVLJANJE TEŽAV

V primeru, da vaš pomivalni stroj ne deluje pravilno, preverite, ali lahko težavo odpravite s spodnjimi nasveti. Za druge napake ali težave se obrnite na pooblaščen servisno službo. Kontaktno podatke najdete v garancijski knjižici. Nadomestni deli bodo na voljo za obdobje do 7 ali do 10 let, v skladu s posebnimi zahtevami uredbe.

TEŽAVE	MOREBITNI VZROKI	REŠITVE
Signalna lučka za nizko raven soli sveti.	Posoda za sol je skoraj prazna.	Napolnite posodo s soljo (za več informacij <i>glejte POLNJENJE POSODE ZA SOL</i>). Če je potrebno, preverite trdoto vode – <i>glejte PRĚGLEDNICA TRDOTE VODE</i> .
Signalna lučka za nizko raven solni utripa.	Posoda za sol je prazna.	Čim prej napolnite posodo s soljo. Uporaba aparata brez soli lahko poškoduje notranje komponente aparata.
Signalna lučka za nizko raven tekočine za lesk sveti ali utripa.	Posoda za tekočino za lesk je prazna. (po polnjenju lahko signalna lučka za nizko raven tekočine za lesk sveti še nekaj časa).	Napolnite posodo s tekočino za lesk (za več informacij <i>glejte POLNJENJE POSODE ZA TEKOČINO ZA LESK</i>).
Signalna lučka za odstranjevanje vodnega kamna sveti ali utripa; prikazan je alarm „dES“.	Vodni kamen se nabira na notranjih sestavnih delih naprave.	Takoj odstranite vodni kamen v napravi, tako da izberete program Samočiščenje in dodate sredstvo za odstranjevanje vodnega kamna, ki je na voljo v trgovini (<i>glejte MOŽNOSTI IN FUNKCIJE</i>). Napolnite posodo s soljo. Preverite nastavev trdote vode. Če ne odstranite vodnega kamna v napravi, bo ta prenehala delovati.
Pomivalni stroj se ne zažene oz. se ne odziva na ukaze.	Aparat ni ustrezno priključen na električno omrežje.	Vtaknite vtič v vtičnico.
	Izpad električne energije.	Iz varnostnih razlogov se pomivalni stroj ne bo samodejno ponovno zagnal, ko je napajanje znova vzpostavljeno. Odprite vrata pomivalnega stroja, pritisnite tipko ZAGON/Premor in v 4 sekundah zaprite vrata.
	Vrata pomivalnega stroja niso zaprta. Zatič za NaturalDry ni uvlečen.	Na vrata močneje pritisnite, da zaslišite „klik“.
	Program se prekine, če so vrata odprta več kot 4 sekunde.	Pritisnite tipko ZAGON/Premor in zaprite vrata v 4 sekundah.
Voda ne odteka iz pomivalnega stroja. Zaslón prikazuje: F7 E3 ali F9 E1	Filter je zamašen z ostanki hrane ali vodnim kamnom.	Očistite filter in odstranite vodni kamen v aparatu (<i>glejte ČIŠČENJE FILTRIRNEGA SKLOPA in NAVODILA ZA ODSTRANJEVANJE VODNEGA KAMNA</i>).
	Odtočna cev je prepognjena.	Preverite odtočno cev (<i>glejte NAVODILA ZA NAMESTITEV</i>).
	Odtočna cev v koritu je zamašena.	Očistite odtočno cev v koritu.
Iz pomivalnega stroja se slišijo glasni zvoki.	Posode se dotikajo ena druge in povzročajo zvoke.	Pravilno razporedite posodo (<i>glejte NALAGANJE KOŠAR</i>).
	Nastaja prekomerna količina pene.	Pomivalnega sredstva niste pravilno odmerili ali pa pomivalno sredstvo ni primerno za strojno pomivanje posode (<i>glejte POLNJENJE PREKATA ZA POMIVALNO SREDSTVO</i>). Znova zaženite trenutni program, tako da izklopite pomivalni stroj, ga spet vklopite, izberete nov program, pritisnete tipko ZAGON/Premor in zaprete vrata v 4 sekundah. Ne dodajajte pomivalnega sredstva.
	Posode niste pravilno razporedili.	Pravilno naložite posodo (<i>glejte NALAGANJE KOŠAR</i>).
	Filter je zamašen z ostanki hrane ali vodnim kamnom.	Očistite filtrirni sklop (<i>glejte SERVIS IN VZDRŽEVANJE</i>).
Posoda ni čista.	Posode niste pravilno razporedili.	Pravilno naložite posodo (<i>glejte NALAGANJE KOŠAR</i>).
	Pršilne roke se ne morejo prosto vrteti, saj jih ovira posoda.	Pravilno naložite posodo (<i>glejte NALAGANJE KOŠAR</i>). Preverite, ali je zgornja košara v pravilnem položaju, in jo po potrebi pravilno namestite (dvignite).
	Program pomivanja ni dovolj močan.	Izberite primeren program pomivanja (<i>glejte PROGRAMSKA TABELA</i>).
	Nastaja prekomerna količina pene.	Pomivalnega sredstva niste pravilno odmerili ali pa pomivalno sredstvo ni primerno za strojno pomivanje posode (<i>glejte POLNJENJE PREKATA ZA POMIVALNO SREDSTVO</i>).
	Pokrovček prekata tekočine za lesk ni ustrezno zaprt.	Zaprite pokrovček prekata tekočine za lesk.
	Filter je zamašen z ostanki hrane ali vodnim kamnom.	Očistite filter in odstranite vodni kamen v aparatu (<i>glejte ČIŠČENJE FILTRIRNEGA SKLOPA</i>).
V pomivalni stroj ne doteka voda. Na zaslonu se prikaže: H2O in sveti; oglasi se zvočno opozorilo.	Posoda za sol je prazna.	Napolnite posodo s soljo (<i>glejte POLNJENJE POSODE ZA SOL</i>).
	Prazen dovod vode ali zaprta vodovodna pipa.	Prepričajte se, da v aparat doteka voda in da je vodovodna pipa odprta.
	Dovodna cev je zavozlana.	Preverite dovodno cev (<i>glejte NAMESTITEV</i>). Odprite vrata pomivalnega stroja, pritisnite tipko ZAGON/Premor in v 4 sekundah zaprite vrata.
	Cedilo dovodne cevi je zamašeno; očistite ga.	Preverite in očistite cedilo dovodne cevi. Odprite vrata pomivalnega stroja, pritisnite tipko ZAGON/Premor in v 4 sekundah zaprite vrata.

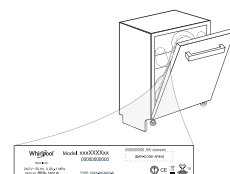
TEŽAVE	MOREBITNI VZROKI	REŠITVE
V pomivalni stroj ne doteka voda. Na zaslonu se prikaže: H2O in  sveti; oglasi se zvočno opozorilo.	Prazen dovod vode ali zaprta vodovodna pipa.	Prepričajte se, da v aparat doteka voda in da je vodovodna pipa odprta.
	Dovodna cev je zavozlana.	Preverite dovodno cev (<i>glejte NAMESTITEV</i>). Odprite vrata pomivalnega stroja, pritisnite tipko ZAGON/Premor in v 4 sekundah zaprite vrata.
	Cedilo dovodne cevi je zamašeno; očistite ga.	Preverite in očistite cedilo dovodne cevi. Odprite vrata pomivalnega stroja, pritisnite tipko ZAGON/Premor in v 4 sekundah zaprite vrata.
Pomivalni program se predčasno konča. Na zaslonu se prikaže: F8 E3 .	Filter je zamašen z ostanki hrane ali vodnim kamnom.	Očistite filter in odstranite vodni kamen v aparatu (<i>glejte ČIŠČENJE FILTRIRNEGA SKLOPA in NAVODILA ZA ODSTRANJEVANJE VODNEGA KAMNA</i>).
	Odtočna cev je postavljena prenizko ali pa odvaža vodo v domači kanalizacijski sistem.	Preverite, ali je konec odtočne cevi nameščen na ustrezni višini (<i>glejte NAMESTITEV</i>). Preverite, ali se voda odvaža v domači kanalizacijski sistem in po potrebi namestite antisifon/ventil za dovod zraka.
	Nastaja prekomerna količina pene.	<i>Pomivalnega sredstva niste pravilno odmerili ali pa pomivalno sredstvo ni primerno za strojno pomivanje posode (glejte POLNJENJE PREKATA ZA POMIVALNO SREDSTVO).</i>
	Zrak v dovodu vode.	Preverite dovod vode glede morebitnega puščanja ali drugih težav, zaradi katerih lahko v notranjost prodre zrak.
Posoda ni dovolj suha.	Zmanjkalo je tekočine za lesk ali pa je njena količina premajhna.	Prepričajte se, da je prekat tekočine za lesk napolnjen (<i>glejte POLNJENJE POSODE ZA TEKOČINO ZA LESK</i>). Če uporabljate samo večnamenske tablete za pomivanje, učinek sušenja ni tako dober kot pri uporabi dejanske tekočine za lesk.
	Posodo ste odstranili, ko so se vrata samodejno odprla, vendar preden se je končal program.	Preden odstranite posodo, se prepričajte, da je programa konec (<i>glejte VSAKODNEVNA UPORABA</i>). Za še boljše rezultate sušenja priporočamo, da posodo pustite v pomivalnem stroju dodatnih 15 minut po koncu programa, pri čemer naj bodo vrata pomivalnega stroja odprta.
	Posodo ste naložili preveč ležeče.	Če v kozarcih, skodelicah ali skledah opazite vodo, naslednjič poskušajte posodo (zlasti v zgornji košari) naložiti bolj navpično, da bo čim več vode odteklo še pred sušenjem.
	Izbrani program ne vključuje faze sušenja.	V <i>PROGRAMSKA TABELA</i> preverite, ali izbrani program vključuje fazo sušenja. Program brez faze sušenja morda ne bo zagotovil učinkovitega sušenja, zato priporočamo, da izberete program, ki vključuje sušenje.
	Plastične posode ali posode s prevleko proti sprijemanju.	Normalno je, da na posodi iz takšnih materialov ostanejo kapljice vode.
Posoda in kozarci imajo modre črte oz. so modrikaste barve.	Prevelika količina tekočine za lesk.	Zmanjšajte odmerek.
Na posodi in kozarcih je vodni kamen oz. belkasta plast.	Posoda za sol je prazna.	Čim prej napolnite posodo s soljo. Uporaba aparata brez soli lahko poškoduje notranje komponente aparata.
	Trdota vode je nastavljena na prenizko vrednost.	Povečajte vrednost (<i>glejte PREGLEDNICA TRDOTE VODE</i>).
	Pokrovček posode za sol ni pravilno nameščen.	Preverite in zaprite pokrovček posode za sol.
	Posoda za tekočino za lesk je prazna ali pa tekočine ni dovolj.	Napolnite posodo s tekočino za lesk in preverite nastavitve odmerka (za več informacij <i>glejte POLNJENJE POSODE ZA TEKOČINO ZA LESK</i>).
Pomivalni stroj kaže opozorilo F8 F5 .	Ventil je zamašen ali poškodovan.	Zaprite vodovodno pipo, če je mogoče. Aparata ne izključite iz električnega napajanja. Pokličite servis.



Pravila uporabe, standardna dokumentacija, naročanje nadomestnih delov in dodatne informacije o izdelkih so na voljo:

- Uporabite kodo QR in obiščite našo spletno stran: docs.whirlpool.eu/docs
- Obiščite našo spletno stran: parts-selfservice.europeanappliances.com
- **Obrnete se lahko tudi na našo servisno službo** (telefonske številke so navedene v servisni knjižici).
Ko stopite v stik z našo servisno službo, navedite kode, ki so zapisane na identifikacijski ploščici izdelka.

Podatke o modelu je mogoče pridobiti s kodo QR na energijski nalepki. Na nalepki je prav tako identifikator modela, ki ga lahko uporabite za preverjanje podatkov na portalu za registracijo <https://eprel.ec.europa.eu>





FALEMINDERIT PËR BLERJEN E PRODUKTIT TË MARKËS WHIRLPOOL.

Për asistencë më të plotë, regjistroheni pajisjen tuaj në: www.whirlpool.eu/register

Para përdorimit të pajisjes, lexoni me kujdes udhëzimet e sigurisë dhe të instalimit. Për më shumë informacione rreth produktit tuaj, vizitoni faqen e internetit: docs.whirlpool.eu/docs

Pas instalimit, mos harroni të hiqni gjithë pjesët mbrojtëse të transportit nga enëlarësja.

PANELI I KONTROLLIT

1. Butoni **NDIZ-FIK/Rivendos** me llambushkën treguese
2. Butoni i **programit PARAQITUR**
3. Butoni i **programit TJETER**
4. Butoni i **programit Të preferuar**, me llambushkën treguese
5. Llambushka treguese e **rezervuarit të kripës të boshatisur**
6. Llambushka treguese e **rezervuarit të shpëlarësit të boshatisur**
7. Llambushka treguese e **ZHËLQERËZIMIT**
8. Llambushka treguese e **rubinetit të ujit të mbyllur**
9. **Ekrani**
10. **Numri i programit** treguesi i kohës së mbetur



11. Butoni i **opsionit Power Clean®** me llambushkën treguese
12. Butoni i **opsionit Gjysmë Ngarkesë**, me llambushkën treguese/**Cilësimeve** - shtypje 3 sek.
13. Butoni i **opsionit Tharje Ekstra**, me llambushkën treguese
14. Butoni i **opsionit Vonesës**, me llambushkën treguese
15. Butoni **FILLO/Ndalo**, me llambushkën treguese

PËRDORIMI PËR HERË TË PARË

MENYJA E CILËSIMEVE

1. Ndizni pajisjen duke shtypur butonin **NDIZ-FIK**
2. Mbani shtypur butonin e **Cilësimeve** (Gjysmë Ngarkesë) për 3 sekonda, derisa të dëgjoni një tingull dhe në ekran të shfaqet „**SET**”.
3. Pas një sekonde, do të shfaqet cilësimi i parë i disponueshëm (germa „h”).
4. Shtypni butonat **PARAQITUR</TJETER>** për të parë listën e parametrave të disponueshëm (shihni tabelën më poshtë), pastaj shtypni butonin **FILLO/Ndalo** për të parë dhe ndryshuar vlerën e parametrin të shfaqur.
5. Shtypni butonat **PARAQITUR</TJETER>** për të ndryshuar vlerën, e më pas shtypni **FILLO/Ndalo** për të ruajtur vlerën e re dhe për t'u kthyer në menu.
6. Për të ndryshuar një parametër tjetër, përsëritni hapat 4 dhe 5.
7. Shtypni butonin **NDIZ-FIK** ose prisni 30 sekonda për të dalë nga menuja.

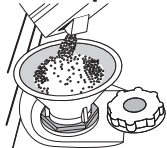
LETËR	CILËSIMI	VLERAT (Standarde - me të zezë)
	Niveli i fortësisë së ujit (shihni “KONFIGURIMI I FORTËSISË SË UJIT” dhe “TABELA E FORTËSISË SË UJIT”)	1 2 3 4 5
	Niveli i shpëlarësit (shihni “PËRSHTATJA E DOZIMIT TË SHPËLARËSIT”)	0 1 2 3 4 5
	NaturalDry (shihni “OPSIONET DHE FUNKSIONET”) “1” = Ndezur, “0” = Fikur	1 0
	Tingull “1” = Ndezur, “0” = Fikur	1 0
	Cilësimeve e fabrikës Shtypni butonin FILLO/Ndalo për të rikthyer në vlerat e fabrikës të gjitha vlerat e parametrave të përfshira në menunë e parametrave.	-

MBUSHJA E DEPOZITËS SË KRIPËS

Përdorimi i kripës parandalon formimin e ÇMËRSIT në pjata dhe në pjesët përbërëse të makinerisë.

Rezervuari i kripës ndodhet në pjesën e poshtme të enëlarësës (nën raftin e poshtëm në anën e majtë).

- Është e detyrueshme që **rezervuari i kripës të mos jetë asnjëherë bosh**.
- Është e rëndësishme të caktohet niveli i fortësisë së ujit.
- Kripa duhet të shtohet kur **llambushka treguese RIMBUSHJA ME KRIPË në panelin e kontrollit** , të ndizet.



1. Hiqni raftin e poshtëm dhe zhvidhosni kapakun e depozitës (në drejtim kundërorar).
2. Vendoseni hinkën (shikoni figurën) dhe mbushni depozitën me kripë deri në buzë (rreth 0,5 kg); ka mundësi të rrjedhë pak ujë.
3. **Kjo të bëhet vetëm herën e parë: mbushni me ujë depozitën e kripës.**

4. Hiqni hinkën dhe fshini mbetjet e kripës nga gryka. Sigurohuni që kapaku të vidhohet mirë, në mënyrë që të mos hyjë detergjenti në kontejner gjatë programit të larjes (kjo mund të dëmtojë zbutësin e ujit pa mundësi riparimi).

Ndizni një program sa herë që e mbushni me kripë rezervuarin, për të shmangur korrozionin.

Konfigurimi i fortësisë së ujit

Për të lejuar funksionimin e zbutësit të ujit në mënyrë perfekte, ka rëndësi që caktimi i fortësisë së ujit të bazohet në fortësinë reale të ujit në shtëpinë tuaj. Ky informacion mund të merret nga furnitori vendor i ujit. Cilësimi nga prodhuesi është “3”. Shihni “TABELA E FORTËSISË SË UJIT”.

Niveli	°dH Gradë gjermane	°fH Gradë franceze	°Clark Gradë angleze
1 (i butë)	0 - 6	0 - 10	0 - 7
2 (i ndërmjetëm)	7 - 11	11 - 20	8 - 14
3 (mesatar)	12 - 16	21 - 29	15 - 20
4 (i fortë)	17 - 34	30 - 60	21 - 42
5 (shumë i fortë)	35 - 50	61 - 90	43 - 62

Për t'i ndryshuar, ndiqni udhëzimet në seksionin „MENYJA E CILËSIMEVE”.

Përdorni vetëm kripë të posaçme për pjatlarëset.

Pasi kripa të jetë hedhur në makineri, llambushka treguese e RIMBUSHJES ME KRIPË fiket.

Nëse mbajtësi i kripës nuk është i mbushur, zbutësi i ujit dhe elementi nxehës mund të dëmtohen si rezultat i grumbullimit të çmërsit. Rekomandohet përdorimi i kripës me çdo lloj detergjenti për makina pjatlarëse.

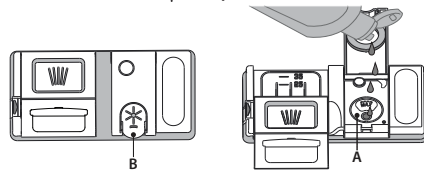
SISTEMI I ZBUTJES SË UJIT

Zbutësi i ujit pakëson automatikisht fortësinë e ujit, duke parandaluar kështu formimin e çmërsit te rezistenca ngrohëse, gjë që ndihmon edhe në rritjen e efikasitetit të larjes. **Ky sistem vetërigjenerohet me kripë, prandaj depozita e kripës duhet të mbushet kur boshatiset.** Shpeshtia e rigjenerimit varet nga cilësimi i nivelit të fortësisë së ujit – rigjenerimi ndodh një herë në 4-6 cikle “Eco” (të programit ekologjik) kur niveli i fortësisë së ujit caktohet në vlerën 3. Procesi i rigjenerimit ndodh në fillim të ciklit me ujë të pastër shtesë.

- Për një rigjenerim të vetëm konsumohen ~3 L ujë;
- Cikli zgjat deri në 5 minuta të tjera;
- Konsumi është nën 0,005 kWh energji.

MBUSHJA E SHPËRNDARËSIT TË SHPËLARËSIT

Shpëlarësi e bën më të lehtë THARJEN e pjatave. Shpërndarësi i shpëlarësit A duhet të mbushet kur ndizet **drita treguese e RIMBUSHJES SË SHPËLARËSIT** në panelin e kontrollit.



1. Hapeni shpërndarësin **B** duke shtypur dhe tërhequr lart butonin mbi kapak.
2. Hidhni shpëlarësin (maks. 110 ml), duke u siguruar që të mos derdhet nga shpërndarësi. Nëse derdhet, pastrojeni menjëherë me copë robe të thatë.

3. Shtypeni për poshtë kapakun derisa të dëgjoni një të kërcitur.

KURRË mos e hidhni shpëlarësin drejtpërdrejt në kazanin e pajisjes.

Përshtatja e dozimit të shpëlarësit

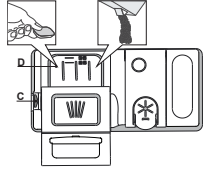
Nëse nuk jeni plotësisht i kënaqur me rezultatet e tharjes, mund të përshtatni sasinë e shpëlarësit të përdorur.

Nëse niveli i shpëlarësit është caktuar në vlerën ZERO, shpëlarësi nuk do të përdoret fare. **Drita treguese që sinjalizon NIVELIN E ULËT TË SHPËLARËSIT nuk do të ndizet nëse mbaron shpëlarësi.**

Mund të caktohen maksimalisht 6 nivele sipas modelit të pjatlarësës.

- Nëse shikoni vija të kaltra në pjata, caktoni një nivel më të ulët (0-3).
- Nëse në pjata ka pika uji ose shenja çmërsi, caktoni një nivel më të lartë (4-5).

MBUSHJA E SHPËRNDARËSIT TË DETERGJENTIT



Për të hapur shpërndarësin e detergjentit përdorni pajisjen hapëse "C". Hidhni detergjent vetëm në shpërndarësin e thatë "D". Vendoseni sasinë e detergjentit për para-larje direkt në kazan.

1. Kur masni detergjentin referojuni informacioneve të lartpërmendura për të shtuar sasinë e duhur. Brenda shpërndarësit "D", ka shenja treguese që ju ndihmojnë me caktimin e dozës së duhur të detergjentit.

PËRDORIMI I PËRDITSHËM

1. KONTROLLONI TUBACIONIN E UJIT

Kontrolloni që pjatolarësja të jetë lidhur me tubin e furnizimit me ujë dhe që rubineti të jetë i hapur.

2. NDIZINI PJATALARËSEN

Hapni derën dhe shtypni butonin **NDIZ-FIK**.

3. NGARKONI SIRTARËT (shihni pjesën NGARKIMI I SIRTARËVE).

4. MBUSHNI SHPËRNDARËSIN E DETERGJENTIT

5. ZGJIDHNI PROGRAMIN DHE PERSONALIZONI CIKLIN

Zgjidhni programin që i përshtatet më së miri llojit të enëve dhe nivelit të papastërtisë së tyre (shih **PËRSHKRIMIN E PROGRAMEVE**) duke shtypur butonat e **PARAQITUR /TJETER**.

Zgjidhni opsionet e dëshiruara (shikoni **OPSIONET DHE FUNKSIONET**). Jo të gjitha opsionet vlejnë për të gjitha programet.

6. FILLIMI

Nisni ciklin e larjes duke shtypur butonin **FILLO/Ndalo** (ndizet llamba LED) dhe duke mbyllur derën brenda 4 sekondave. Kur programi të nisë, do të dëgjoni një tingull të vetëm. Në rast se dera nuk mbyllet brenda 4 sekondave, do të bjerë alarmi. Në këtë rast, hapeni derën, shtypni butonin **FILLO/Ndalo** dhe mbylleni përsëri derën brenda 4 sekondave.

7. FUNDI I CIKLIT TË LARJES

Fundi i ciklit të larjes sinjalizohet me sinjal akustik, ndërsa në ekran shfaqet mesazhi **END (FUND)**. Hapeni derën dhe fiken pajisjen duke shtypur butonin **NDIZ-FIK**.

Prisni disa minuta para se të hiqni enët – që të mos digjeni. Boshatisni raftet, duke filluar nga rafti i poshtëm.

2. Hiqni mbetjet e detergjentit nga buzët e shpërndarësit dhe mbylleni kapakun deri kur të dëgjoni një të kërcitur.

3. Mbylleni kapakun e sirtarit të detergjentit duke e ngritur lart derisa mekanizmi mbyllës të fiksohet mirë.

Shpërndarësi i detergjentit hapet automatikisht në kohën e duhur në përputhje me programin përkatës.

Përdorimi i detergjentit të papërshtatshëm për pjatolarësen mund të shkaktojë keqfunksionim ose dëmtim të pajisjes.

SI NDRYSHOHET PROGRAMI I AKTIVIZUAR

Në rast se keni zgjedhur programin e gabuar, keni mundësinë ta ndryshoni, por vetëm nëse programi sapo ka filluar. **KTHEJENI NË VLERAT FILLESTARE** pajisjen: shtypni dhe mbani shtypur butonin **NDIZ-FIK** për më shumë se 3 sekonda dhe pajisja do të fiket. **Në ekranin e panelit do të shfaqet shifra "0:01"**. Mbyllni derën dhe prisni derisa të përfundojë cikli i shkakimit (rreth 1 minutë). Hapeni derën dhe ndizeni përsëri lavatriçen, duke shtypur butonin **NDIZ-FIK** dhe zgjidhni ciklin e ri të larjes dhe opsionet e dëshiruara. Niseni ciklin duke shtypur butonin **FILLO/Ndalo** dhe duke e mbyllur derën brenda 4 sekondash.

SI TË SHTONI ENË SHTESË

Pa e fikur pajisjen, hapeni derën, në fillim pak, që uji të mos derdhet jashtë (llamba LED e butonit **FILLO/Ndalo**) fillon të pulsojë) (**Kujdes: Avull i nxehtë!**) dhe vendosini enët brenda pjatolarëses. Shtypni butonin **FILLO/Ndalo** dhe mbyllni derën brenda 4 sekondave, cikli do të rifillojë nga momenti ku u ndërpre.

NDËRPRERJET E PAQËLLIMSHME

Në rast se dera hapet gjatë ciklit të larjes, ose në rast se ndërpritet energjia elektrike, cikli do të ndërpritet. Cikli do të rifillojë nga momenti ku u ndërpre **VETËM NËSE SHTYPNI BUTONIN FILLO/Ndalo** dhe e mbyllni derën brenda 4 sekondash.

INFORMACIONE DHE KËSHILLA

KËSHILLA

Para ngarkimit të shportave, hiqni të gjitha mbetjet ushqimore nga enët dhe zbrazni gotat. **Nuk ka nevojë t'i shpëlani paraprakisht me ujë të rrjedhshëm.**

Vendosini enët në mënyrë që të fiksohen mirë dhe të mos rrëzohen; dhe vendosini kontejnerët me pjesën e hapur të kthyer nga ana e poshtme ndërsa pjesët e lugëta/të mysëta pjerrtas, në mënyrë që uji të mbërrijë në çdo sipërfaqe dhe të rrjedhë lirshëm.

Paralajmërim: kapakët, dorezat, tabakat dhe tiganët nuk duhet të pengojnë rrotullimin e krahëve të spërkatësit.

Vendosni artikujt e vegjël në shportën e lugëve e pirunëve.

Pjatat dhe tiganët shumë të papastër duhen vendosur në pjesën e poshtme të shportës sepse në këtë zonë spërkatja është më e fortë dhe lan më mirë.

Pas mbushjes së pajisjes elektroshtëpiake, sigurohuni që krahët e spërkatësit të rrotullohen lirshëm.

ENËT E PAPËRSHTATSHME

- Enët dhe takëmet prej druri.
- Gotat e dekoruara delikate, punimet artizanale dhe enët antike. Dekorimet e tyre nuk janë rezistente.
- Pjesët me material sintetik që nuk i durojnë temperaturat e larta.
- Enët prej bakri dhe kallaji.
- Enët e lyera me hi, dyllë, graso lubrifikuese ose bojë.

Ngjyrat e dekorimeve prej xhami dhe alumini/argjendi mund të ndryshojnë dhe zbehën gjatë procesit të larjes. Disa lloje enësh qelqi (p.sh. objektet prej kristali) mund të errësohen pas disa ciklesh larjeje.

DËMTIMI I GOTAVE DHE ENËVE

- Lani vetëm gota dhe porcelane për të cilat prodhuesi ka garantuar se mund të lahen me pjatolarëse.
- Përdorni një detergjent delikat të përshtatshëm për enët.
- Nxirri gotat dhe enët nga pjatolarësja sapo të mbarojë cikli i larjes.

KËSHILLA PËR KURSIMITIN E ENERGJISË

- Nëse pjatolarësja përdoret sipas udhëzimeve të prodhuesit, **për larjen e enëve në pjatolarëse zakonisht konsumohet më pak energji dhe ujë se sa kur ato lahen me dorë.**
- Për të maksimizuar efikasitetin e pjatolarëses, **rekomandohet ta filloni cilin e larjes pasi ta keni ngarkuar pjatolarësen plot me enë.** Mbushja e pjatolarëses deri në kapacitetin e përcaktuar nga prodhuesi do të ndihmojë në kursimin e energjisë dhe të ujit. Informacionet për ngarkimin e saktë të enëve mund t'i gjeni në pjesën "Ngarkimi i sirtarëve". Në rast se e ngarkoni pjesërisht pjatolarësen, rekomandojmë të përdorni opsionet e dedikuara të larjes nëse ka (Ngarkesë e pjesshme /Zone Wash/ Multizone), duke ngarkuar vetëm sirtarët e caktuar. Mbushja e pasaktë ose tejmbushja e pjatolarëses mund të shkaktojë rritjen e konsumit të burimeve (si uji, energjia dhe koha) dhe të nivelit të zhurmës, çka çon në uljen e rendimentit të larjes dhe tharjes.
- Shpëlarja paraprake me dorë e enëve çon në rritjen e konsumit të ujit dhe energjisë, prandaj nuk rekomandohet.

HIGJIENA

Për të shmangur erën e pakëndshme dhe akumulimin e mbetjeve në pjatolarëse, **përdorni një program me larje në temperaturë të lartë të paktën një herë në muaj.** Përdorni një lugë çaji detergjent dhe vëreni në punë pjatolarësen pa ngarkesë, për ta pastruar.

REZISTENCA NDAJ NGRIRJES

Nëse pajisja vendoset në vende të ekspozuara ndaj rrezikut të ngrirjes, ajo **duhet shkarkuar plotësisht.** Mbyllni rubinetin e ujit, hiqni tubat e hyrjes së ujit dhe të shkarkimit dhe derdhni gjithë ujin. **Sigurohuni që zbutësi i ujit të jetë plot me kripë rigjeneruese të tretur në depozitën e kripës,** për ta mbrojtur pajisjen nga temperaturat deri në -20°C. Nëse pajisja është ruajtur në kushte ngrirjeje, ajo duhet të qëndrojë në temperaturë ambiente prej të paktën 5°C për të paktën **24 orë** përpara përdorimit për herë të parë.

TABELËN E PROGRAMEVE

Programi	Përshkrimi i programeve	Faza e tharjes	NaturalDry	Opsionet e disponueshme *)	Kohëzgjatja e programit të larjes (h: min)**)	Konsumi i ujit (litra/cikël)	Konsumi i energjisë (kWh/cikël)
P1 Eco	Eco 50° - Ky program është i përshtatshëm për pastrimin e pjatave me papastërti normale. Për këtë përdorim, ky është programi më efikas në aspektin e kursimit të energjisë elektrike dhe ujit dhe përdoret në përputhje me legjislacionin e BE-së për projektimin ekologjik.	✓	✓	POWER CLEAN 1/3 + J h	3:30	9,5	0,76
P2 A	Auto Intensiv 65° - Program automatik për larjen e pjatave dhe tiganëve me papastërti të forta.	✓	✓	POWER CLEAN 1/3 + J h	2:25-3:10	15,5-24,5	1,30-1,70
P3 A	Auto Përzier 55° - Program automatik për pjatat me papastërti normale dhe të lehtë. Cikël i përditshëm që garanton larje dhe tharje optimale brenda një kohe më të shkurtër.	✓	✓	POWER CLEAN 1/3 + J h	1:20-3:00	7,5-19,5	0,75-1,20
P4 A	Auto Shpejtë 50° - Programi rekomandohet për një sasi të vogël pjatash pak të papastra dhe që nuk kanë mbetje ushqimore të thata. Ky program nuk kryen fazën e tharjes.	✓	✓	POWER CLEAN 1/3 + J h	1:00-1:50	7,5-15,5	0,70-1,10
P5	Kreshmë 45° - Programi rekomandohet për një sasi të vogël pjatash pak të papastra dhe që nuk kanë mbetje ushqimore të thata. Ky program nuk kryen fazën e tharjes.	-	✓	1/3 + J h	0:30-0:40	10,0-12,0	0,55-0,65
P6	Kristalet 45° - Program për artikujt e brishtë, që janë më të ndjeshëm ndaj temperaturës së lartë, p.sh. gotat dhe filxhanët.	✓	✓	1/3 + J h	1:40-1:50	12,5-16,5	0,95-1,20
P7	E heshtur 55° - Program i përshtatshëm për përdorimin e pajisjes gjatë natës. Garanton larje dhe tharje optimale me nivelin më të ulët të zhurmës.	✓	✓	+ J h	3:50-4:10	10,5-14,5	0,80-1,15
P8	Dezinfektimi 65° - Përdoret për enët me papastërti normale ose të fortë, me larës shtesë antibakterial. Mund të përdoret për mirëmbajtjen e pjatallarësës.	✓	-	POWER CLEAN 1/3 + J h	1:55-2:10	12,0-19,0	1,40-1,80
P9	Paralarje - Përdoret për të zbutur papastërtitë e enëve që janë planifikuar për t'u larë më vonë. Kur përdorni këtë program nuk duhet përdorur detergjent.	-	✓	1/3 J h	0:12	4,5	0,10
P10	Vetë-pastrimi 65° - Përdoret për të kryer mirëmbajtjen e pjatallarësës. Programi duhet të aktivizohet vetëm atëherë kur pjatallarësja është BOSCH, duke përdorur detergjente të posaçme të krijuar për mirëmbajtjen e pjatallarëveve.	-	-	J h	1:15	11,0	1,10

Të dhënat e programit ekologjik maten në kushte laboratorike sipas standardit evropian EN 60436:2020. Shënim për laboratorët e testeve: Për informacione rreth kushteve krahasuese të testeve të standardit EN, ju lutemi të dërgni një email në adresën e mëposhtme: dw_test_support@whirlpool.com

Trajtimi paraprak i pjatave nuk është i nevojshëm përpara asnjë programi.

*) Jo të gjitha opsionet mund të përdoren njëkohësisht.

***) Vlerat e dhëna për programet e ndryshme nga Eco janë vetëm orientuese. Koha aktuale mund të variojë në varësi të shumë faktorëve si temperatura dhe presioni i ujit në hyrje, temperaturës së dhomës, sasisë së detergjentit, sasisë dhe llojit të ngarkesës, balancimit të ngarkesës, opsioneve shtesë të përzgjedhura dhe kalibrimit të sensorit. Kalibrimi i sensorit mund të rrisë kohëzgjatjen e programit me deri në 20 min.

OPSIONET DHE FUNKSIONET

OPSIONET mund të aktivizohen/çaktivizohen, pasi të zgjidhet programi, duke shtypur butonin përkatës (nëse ka llambë, ajo ndizet me aktivizimin e opsionit) (shihni PANELIN E KONTROLLIT). Nëse ndonjë opsion nuk ofrohet me programin e zgjedhur (shikoni TABELËN E PROGRAMEVE), llamba LED përkatëse pulson shpejt 3 herë dhe bie zija elektrike. Opsioni nuk aktivizohet. Opsion shërben për të ndryshuar kohëzgjatjen, konsumin e ujit ose konsumin e energjisë për programin e përzgjedhur më përpara.

POWER CLEAN® - Falë shkulmit shtesë, ky opsion ofron një larje më intensive dhe më të fuqishme në raftin e poshtëm, në zonën e specifikuar. Ky opsion rekomandohet për larjen e ibrikëve dhe tavave (Ju lutem, shihni pjesën për ngarkimin e zonës «Power Clean®»).

GJYSMË NGARKESE - Nëse nuk ka shumë enë për të larë, opsioni GJYSMË NGARKESE përdoret për të kursyer ujë, rrymë elektrike ose kohë, në varësi të programit të zgjedhur.

Mos harroni të pakësoni sasinë e detergjentit.

THARJE EKSTRA - Një temperaturë më e lartë gjatë shpëlarjes së fundit si një fazë e zgjatur tharjeje që mundëson një tharje më të mirë. Opsioni THARJE EKSTRA mundëson zgjatjen e ciklit të larjes.

VONESËS - Fillimi i programit mund të vonohet për një periudhë kohore nga 0:30 deri në 24 orë.

1. Zgjidhni programin dhe opsionet e dëshiruara. Shtypni butonin VONESËS (në mënyrë të përsëritur) për të vonuar fillimin e programit. Përshtatet nga 0:30 deri në 24 orë. Kur cilësimi prej 24 orësh arrihet, shtypni VONESËSedhe një herë për të çaktivizuar funksionin VONESËS.

2. Shtypni butonin FILLO/Ndalo dhe mbyllni derën brenda 4 sekondave. Kohëmatësi fillon numërimin mbrapsht.

3. Pasi të ketë kaluar kjo kohë, llambushka treguese fiket dhe programi fillon automatikisht.

Funksioni i VONESËS nuk mund të caktohet pasi të ketë filluar programi.

PROGRAMI I PREFERUAR - Programi i preferuar mund të ruhet dhe do të jetë lehtësisht i arritshëm. Gjeni programin duke përdorur butonin PARAQITUR/TJETER, e më pas shtypni butonin e programeve të preferuara për 3 sekonda.

RUBINETI I UJIT I MBYLLUR - Alarm - Pulson kur nuk hyn ujë ose kur rubineti i ujit është i mbyllur.

NaturalDry - Është një sistem tharjeje me konveksion që e hap automatikisht derën gjatë/pas fazës së tharjes, për të garantuar një performancë të shkëlqyer tharjeje çdo ditë. Dera hapet kur temperatura është në nivele të sigurta për mobiliet e kuzhinës tuaj.

Si mbrojtje shtesë me avull, fleta mbrojtëse e krijuar posaçërisht shtohet bashkë me enëlarësen.

Për të parë se si të montoni fletën mbrojtëse, referojuni UDHËZUESIN E INSTALIMIT. Kjo veçori është automatikisht aktive, por keni mundësinë ta çaktivizoni në MENYJA E CILËSIMEVE.

ZHGËLQERËZIMIT - Alarm - Është detektuar grumbullim i gëlqerës në komponentët e brendshëm të pajisjes. Kontrolloni nëse **Cilësimi i Fortësisë së Ujit** ka vlerën e saktë dhe që ka **kripë** në mbajtësen e kripës (shihni pjesën PËRDORIMI PËR HERË TË PARË), më pas **përdorni një produkt zhgëlqerëzues** (rekomandohet marka WPro) **me programin e Vetëlarjes**. Nëse veprimet e mësipërme nuk kryhen, performanca e produktit do të bjerë. Paralajmërimi ZHGËLQERËZIMIT do të fillojë të pulsojë dhe alarmi «**dES**» do të shfaqet në ekran. Nëse nuk është marrë asnjë masë, pajisja do të mundësojë vetëm një numër të caktuar ciklesh për të filluar (gjë që tregohet në alarmin «**dES**» në ekran) e më pas do të **BLLOKOHET** për të shmangur dëmtim të komponentëve, **vetëm me programin e Vetëlarjes të disponueshëm**. Produkti do të zhblokohet nëse kryeni një zhgëlqerëzim të plotë. Nëse ka sasi të larta gëlqereje, zhgëlqerëzimi mund të duhet kryer dy herë për të qenë efikas.

SENSORI - Kur sensor i zbulon nivelin e ndotjes, në ekran shfaqet një animacion (rreth 20 minuta) dhe kohëzgjatja e ciklit përditësohet. Sensori është për nivelin e ndotjes së pjatave dhe përdoret në çdo cikël me (përfshirë Eco) dhe e përshtat programin sipas rastit.

NGARKIMI I RAFTEVE

KAPACITETI: 15 cilësime standarde vendi

RAFTI I TAKËMEVE

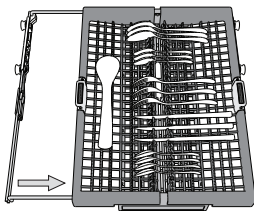
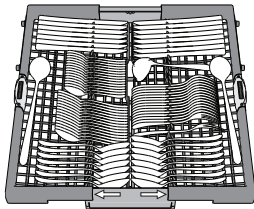
Rafti i tretë është caktuar për të mbajtur takëmet.

Vendosini takëmet si tregohet në figurë.

Një vendosja e ndarë e takëmeve bën më të lehtë mbledhjen pas larjes dhe përmirëson larjen dhe tharjen.

Thikat dhe takëmet e tjera me tehe të mprehta duhet të vendosen me tehe nga poshtë.

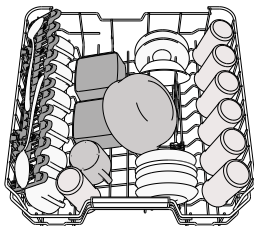
Shporta e takëmeve është e pajisur me dy rafte rrëshqitëse për të shfrytëzuar në maksimum lartësinë nga rafti i sipërm dhe për të mundësuar ngarkimin e enëve të larta në raftin e sipërm.



RAFTI I SIPËRM

Vendosni pjatat delikate dhe të lehta: gotat, filxhanët, pjatat e cekëta, tasat e cekët për sallatë. Rafti i sipërm ka kapëse që mund të përdoren në pozicion vertikal kur vendosen filxhanët e çajit/pjatat e ëmbëlsirave ose në një pozicion më të ulët për të vendosur tasat dhe enët e ushqimit.

(shembull ngarkimi për raftin e sipërm)

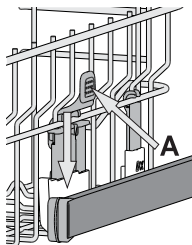


Përshtatja e lartësisë së raftit të sipërm

Lartësia e raftit të sipërm mund të përshtatet: pozicioni i lartë, që shërben për vendosjen e enëve të mëdha në shportën e ulët, dhe pozicioni i ulët, që shërben për të shfrytëzuar sa më shumë mbështetëset, duke krijuar më shumë hapësirë lart dhe duke shmangur përplasjen me enët e ngarkuara në raftin e poshtëm.

Rafti i sipërm është i pajisur me një **Përshtatës Lartësie** për raftin e sipërm (shihni figurën): pa i shtypur levat, ngrijeni lart duke e kapur nga anët deri sa rafti të zërë vend mirë (të mos lëvizë) në pozicionin e sipërm. Për të kaluar sërish te pozicioni i poshtëm, shtypni levat „A” në anët e raftit dhe lëvizeni koshin poshtë.

Ne rekomandojmë që të mos e ndryshoni lartësinë e raftit kur të jetë ngarkuar. KURRË mos e ngrini ose ulni shportën vetëm në një anë.

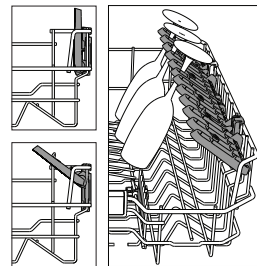


Fleta të palosshme me pozicion të ndryshueshëm

Fletët e palosshme anësore mund të palosen ose shpalosen për të optimizuar konfigurimin e enëve në sirtar. Gotat e verës mund të vendosen në mënyrë të sigurt brenda fletëve të përkulshme duke futur fronin e çdo gotë në vendin përkatës.

Në varësi të modelit:

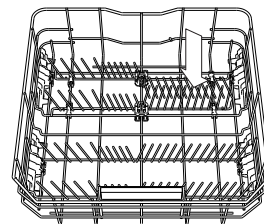
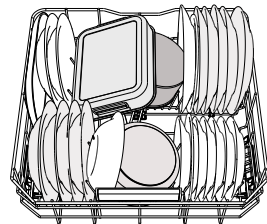
- për të shpalosur fletët, duhet t'i rrëshqisni lart dhe t'i rrotulloni ose ta lironi nga kapëset dhe ta tërhiqni poshtë.
- për të palosur fletët duhet t'i rrotulloni dhe t'i rrëshqisni poshtë ose t'i tërhiqni lart dhe t'i fiksoni me kapëse.



RAFTI I POSHTËM

Për vazo, kapakë, pjata, tasa sallate, takëme, etj. Pllakat e mëdha dhe pakët është mirë të vendosen në anët e pajisjes, me qëllim që të mos pengojnë lëvizjen e krahut të spërkatjes.

Rafti i poshtëm ka kapëse që mund të përdoren në pozicion vertikal kur vendosen filxhanët e çajit/pjatat e ëmbëlsirave ose në pozicion horizontal (më të ulët) për të vendosur me lehtësi tiganët dhe tasat e sallatës.



(shembull ngarkimi për raftin e poshtëm)

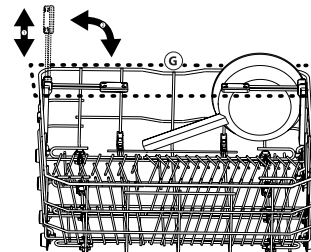
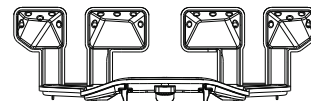
POWER CLEAN® (PASTRIMI I FORTË)

Power Clean® përdor spërkatës speciale në pjesën e pasme për të larë me më shumë intensitet enët e ndotura. Rafti i poshtëm ka një **Zonë Hapësire**, një mbështetëse speciale që nxirret në pjesën e pasme të raftit e cila mund të përdoret për të mbajtur tiganët ose tavat në pozicion vertikal, duke marrë më pak hapësirë.

Me vendosjen e vazove/tenxhereve në pjesën **POWER CLEAN®** aktivizoni Power Clean® në panel.

Si të përdoret Power Clean®:

1. Përshtatni zonën e Power Clean® (G) duke palosur mbajtëset e pasme të pllakave për të vendosur vazot.
2. Vendosni vazot dhe tavat në drejtim vertikal në zonën Power Clean®. Vazot duhet të kenë pjerrësi drejt rrymës së ujit.



KUJDESI DHE MIRËMBAJTJA

PASTRIMI I MONTAZHIT TË FILTRIT

Pastrojeni rregullisht paketën e filtrit në mënyrë që filtrat të mos bllokohen dhe uji të rrjedhë si duhet.

Përdorimi i pjatlarësës me filtra të bllokuar ose me objekte të huaja brenda sistemit të filtrimit ose krahëve spërkatës mund të shkaktojë keqfunksionim të njësisë, e për pasojë ulje të rendimentit, zhurmë gjatë punës ose konsum më të lartë të burimeve.

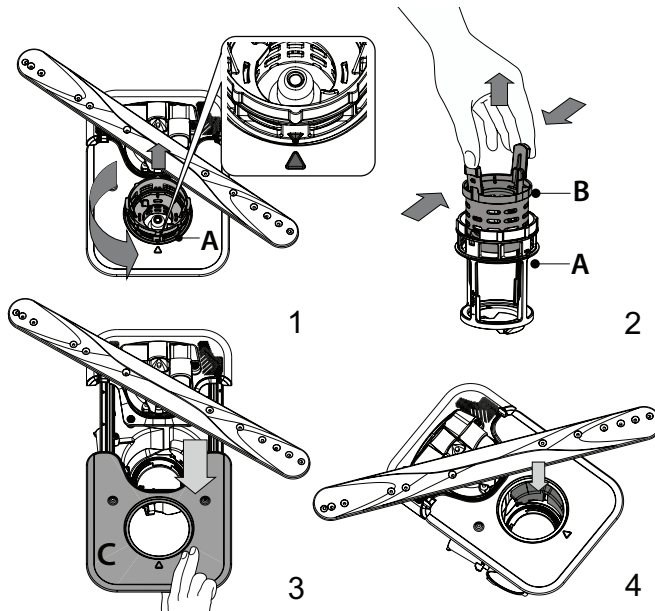
Montazhi i filtrit përbëhet nga tre filtra që heqin mbetjet ushqimore nga uji larës dhe pastaj riqarkullojnë ujin.

Pjatararësja nuk duhet të përdoret pa filtra ose nëse filtri është liruar.

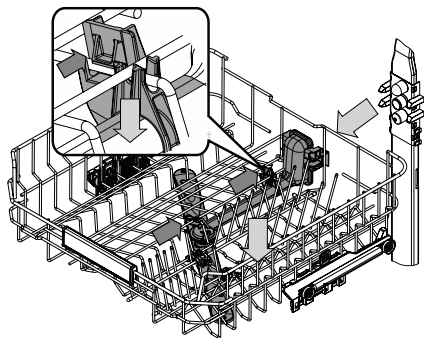
Të paktën një herë në muaj ose pas 30 ciklesh, kontrolloni montazhin e filtrit dhe, nëse është e nevojshme, lajeni mirë me ujë të rrjedhshëm, duke përdorur një furçë jometalike dhe duke zbatuar udhëzimet e mëposhtme:

1. Rrotulloni filtrin cilindrik **A** në drejtim kundërorar dhe nxirreni jashtë (fig 1). Është e rëndësishme që, kur instaloni përsëri filtrin, të dy trekëndëshat që tregohen në figurë të takohen.
2. Hiqni filtrin kupë **B** duke shtypur lehtë pjesën e fletëve anësore (fig 2).
3. Rrëshqisni jashtë pllakëzën e filtrit me çelik inox **C** (fig 3).
4. Nëse gjeni objekte të huaja (p.sh. copa qelqi dhe porcelani, kocka, fara frutash, etj.), **ju lutem, hiqini me kujdes.**
5. Kontrolloni kapësen dhe hiqni mbetjet ushqimore. **KURRË MOS HIQNI mbrojtësen e pompës së ciklit larës (tregohet me shigjetë) (fig 4).**

Pas pastrimit të filtrave, rivendoseni montazhin e filtrit dhe montojeni se duhet në fole; kjo është thelbësore për ruajtjen e funksionimit efikas të pjatlarësës.

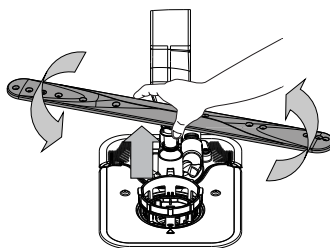


PASTRIMI I KRAHËVE SPËRKATËS

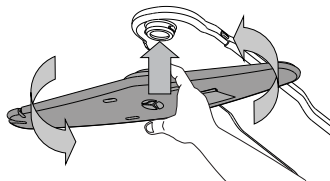


Në disa raste, mbetjet ushqimore mund të formojnë kërce te spërkatësi dhe të bllokojë vrimat që përdoren për spërkatje. Për këtë arsye rekomandohet që të kontrolloni spërkatësin herë pas here për ta pastruar me një furçë të vogël jometalike.

Për të hequr krahun spërkatës të sipërm, duhet ta hiqni bashkë me kolektorin.



Krahu spërkatës i poshtëm mund të hiqet duke e tërhequr nga sipër dhe duke e rrotulluar në drejtim kundërorar. Rimontimi i krahut spërkatës bëhet duke e tërhequr poshtë dhe duke e rrotulluar në drejtim orar.




Krahu spërkatës i sipërm mund të hiqet duke e shtypur nga sipër dhe duke e rrotulluar në drejtim kundërorar. Rimontimi i krahut spërkatës bëhet duke e tërhequr lart dhe duke e rrotulluar në drejtim orar.

ZGJIDHJA E PROBLEMEVE

Në rast se pjatarësja nuk punon si duhet, kontrolloni nëse problemi mund të zgjidhet duke ndjekur udhëzimet në pjesën e mëposhtme. Për gabime ose probleme të tjera, kontaktoni me shërbimin e autorizuar të passhitjes, të dhënat e kontaktit të të cilit mund t'i gjeni në broshurën e garancisë. Pjesët rezervë do të jenë të disponueshme për një periudhë deri në 7 vjet ose deri në 10 vjet, në përputhje me kërkesat e rregulloreve përkatëse.

PROBLEMET	SHKAQET E MUNDSHME	ZGJIDHJET
Është ndezur drita e treguesit të kripës	Depozita e kripës është pothuajse bosh.	Rimbusheni depozitën me kripë (për më shumë informacione shikoni pjesën „MBUSHJA E DEPOZITËS SË KRIPËS”). Po të jetë e nevojshme kontrolloni cilësimin për fortësinë e ujit (shihni „PARAMETRI I FORTËSISË SË UJIT”).
Pulson drita e treguesit të kripës	Depozita e kripës është bosh.	Mbusheni depozitën me kripë sa më shpejt. Përdorimi i pajisjes pa kripë mund të dëmtojë pjesët përbërëse të brendshme të saj.
Është ndezur ose pulson treguesi i shpëlarësit	Shpërndarësi i shpëlarësit është bosh. (Pas rimbushjes, treguesi i shpëlarësit mund të qëndrojë i ndezur për një kohë të shkurtër).	Rimbusheni shpërndarësin me shpëlarës (për më shumë informacione, shihni pjesën „MBUSHJA E SHPËRNDARËSIT TË SHPËLARËSIT”).
Është ndezur ose pulson treguesi i pastrimit të çmërsit. Në ekran është shfaqur mesazhi „dES” i alarmit.	Ka çmërs në pjesët e brendshme të pajisjes.	Hiqni menjëherë çmërsin nga pajisja duke përdorur programin Vetëpastrimi dhe ndonjë produkt për pastrimin e çmërsit (shikoni OPSIONET DHE FUNKSIONET). Mbusheni përsëri me kripë depozitën. Kontrolloni cilësimet për fortësinë e ujit. Nëse pajisja nuk pastrohet nga çmërsi, do të ndalojë punën.
Pjatarësja nuk ndizet ose nuk u përgjigjet komandave.	Pajisja nuk është futur në prizë si duhet.	Futni prizën në spinën e rrjetit të rrymës elektrike.
	Ikja e energjisë elektrike.	Për arsye sigurie, pjatarësja nuk ndizet automatikisht kur vjen përsëri energjia elektrike. Hapni derën e pjatarësës, shtypni butonin FILLO/Ndalo dhe mbylleni derën brenda 4 sekondave.
	Dera e pjatarësës nuk mbyllet. Kunji i funksionit NaturalDry nuk është futur.	Shtypni fort derën derisa të dëgjoni “klikim”
	Cikli ndërpritet kur dera qëndron hapur për më shumë se 4 sekonda.	Shtypni butonin FILLO/Ndalo dhe mbylleni derën brenda 4 sekondash.
Pjatarësja nuk shkarkohet. Në ekran shfaqet mesazhi: F7 E3 ose F9 E1	Filtri është bllokuar me mbetje ushqimore ose çmërs.	Fikeni pajisjen duke shtypur butonin NDIZ-FIK/Rivendos, ndizeni përsëri pas rreth një minute dhe nisni përsëri programin. Nëse problemi vazhdon, hiqeni pajisjen nga prizja për 1 minutë dhe vëreni përsëri në prizë.
	Tubi i shkarkimit është bllokuar.	Kontrolloni tubin e shkarkimit (shihni pjesën „UDHËZIMET PËR INSTALIMIN”).
	Tubi i lavamanit është i bllokuar.	Pastroni tubin e lavamanit.
Pjatarësja bën zhurmë të madhe.	Pjatat përplasen me njëra-tjetrën.	Vendosini enët si duhet (shihni pjesën „NGARKIMI I RAFTEVE”).
	Ka shumë shkumë.	Sasia e detergjentit nuk është matur si duhet ose detergjenti nuk është i përshtatshëm për t'u përdorur për pjatarëse (shihni pjesën „MBUSHJA E SHPËRNDARËSIT TË DETERGJENTIT”). Rivendoseni ciklin aktual duke FIKUR pjatarësen dhe duke e ndezur atë sërish më pas, zgjidhni një program të ri, shtypni butonin FILLO/Ndalo dhe mbyllni derën brenda 4 sekondave. Ju lutemi të mos shtoni detergjent.
	Enët nuk janë vendosur si duhet.	Vendosini enët në mënyrën e duhur (shihni pjesën „NGARKIMI I RAFTEVE”).
	Filtri është bllokuar nga mbetjet ushqimore ose çmërsi.	Pastrojeni paketën e filtrit (shihni pjesën „KUJDESI DHE MIRËMBAJTJA”).
Pjatat nuk janë të pastra.	Enët nuk janë vendosur si duhet.	Vendosini enët në mënyrën e duhur (shihni pjesën „NGARKIMI I RAFTEVE”).
	Krahët e spërkatësit nuk mund të rrotullohen lirshëm ngaqë i pengojnë pjatat.	Vendosini enët në mënyrën e duhur (shihni pjesën „NGARKIMI I RAFTEVE”). Kujdesuni që sirtari i sipërm të jetë vendosur si duhet dhe rregullojeni (ngrijeni lart) po të jetë nevoja.
	Cikli i pastrimit është shumë i butë.	Zgjidhni një cikël pastrimi të përshtatshëm (shihni „TABELËN E PROGRAMEVE”).
	Ka shumë shkumë.	Detergjenti nuk është matur si duhet ose nuk është i përshtatshëm për t'u përdorur në pjatarës (shikoni pjesën „MBUSHJA E SHPËRNDARËSIT TË DETERGJENTIT”).
	Kapaku i depozitës së shpëlarësit nuk është mbyllur si duhet.	Sigurohuni që kapaku i shpërndarësit të shpëlarësit të jetë mbyllur.
	Filtri është bllokuar nga mbetjet ushqimore ose çmërsi.	Pastrojeni filtrin dhe hiqni çmërsin nga pajisja (shihni pjesën „PASTRIMI I MONTAZHIT TË FILTRIT”).
Depozita e kripës është bosh.	Mbushni rezervuarin e kripës (shikoni pjesën „MBUSHJA E DEPOZITËS SË KRIPËS”).	

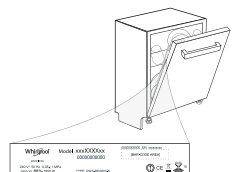
PROBLEMET	SHKAQET E MUNDSHME	ZGJIDHJET
Pjatarësja nuk mbushet me ujë. Në ekran shfaqet mesazhi: H2O ,  i ndriçuar; dëgjohet alarmi akustik.	Nuk ka ujë ose furnizimi me ujë është i mbyllur.	Sigurohuni që të ketë ujë në hyrje ose që rubineti të jetë i hapur.
	Tubi i prurjes së ujit është bllokuar.	Kontrolloni tubin e prurjes së ujit (shihni pjesën „INSTALIMI”). Hapni derën e pjatarësës, shtypni butonin FILLO/Ndalo dhe mbylleni derën brenda 4 sekondave.
	Sita e tubit të prurjes së ujit është bllokuar; duhet pastruar.	Kontrolloni dhe pastroni sitën e tubit të prurjes së ujit. Hapni derën e pjatarësës, shtypni butonin FILLO/Ndalo dhe mbylleni derën brenda 4 sekondave.
Pjatarësja e përfundon ciklin para kohe. Në ekran shfaqet mesazhi: F8 E3	Filtri është bllokuar me mbetje ushqimore ose çmërs.	Pastroni filtrin dhe hiqni çmërsin nga pajisja (shihni pjesët „PASTRIMI I MONTAZHIT TË FILTRIT” dhe „UDHËZIMET PËR PASTRIMIN E ÇMËRSIT”).
	Tubi i shkarkimit është vendosur shumë poshtë ose është nën nivelin e sistemit të mbledhjes së ujërave të zeza të shtëpisë.	Verifikoni nëse skaji i tubit të shkarkimit është në lartësinë e duhur (shihni pjesën „INSTALIMI”). Kontrolloni se mos niveli i sistemit të ujërave të zeza është më i lartë sesa niveli i pajisjes dhe, po të jetë nevoja, instaloni një valvulë për të penguar sifonimin.
	Ka shumë shkumë.	Detergjenti nuk është matur si duhet ose nuk është i përshtatshëm për t'u përdorur në pjatarës (shikoni pjesën „MBUSHJA E SHPËRNDARËSIT TË DETERGJENTIT”).
	Në tubin e furnizimit me ujë ka ajër.	Kontrolloni tubin e furnizimit me ujë nëse ka rrjedhje ose probleme të tjera që shkaktojnë hyrjen e ajrit.
Pjatat nuk janë tharë mirë.	Nuk ka shpëlarës ose doza është tepër e vogël.	Sigurohuni që shpërndarësi i shpëlarësit të jetë i mbushur (shihni pjesën „MBUSHJA E SHPËRNDARËSIT TË SHPËLARËSIT”). Përdorimi vetëm i tabletave shumëfunktionale nuk jep aq rezultat të mirë në tharjen e enëve sa jep përdorimi i shpëlarësit.
	Pjatat janë hequr nga pajisja pasi dera është hapur automatikisht, por përpara përfundimit të ciklit.	Sigurohuni që cikli të ketë përfunduar përpara se të nisni nxjerrjen e pjatave (shihni pjesën „PËRDORIMI I PËRDITSHËM”). Për t'i tharë më mirë enët, ju rekomandojmë t'i lini pjatat brenda pajisjes me derën të hapur edhe për 15 minuta të tjera pas përfundimit të ciklit.
	Pjatat janë pozicionuar në pozicion pothuaj horizontal.	Nëse vini re „pellgje” uji brenda filxhanëve ose kupave, provoni t'i ngarkoni pjatat (veçanërisht në sirtarin e sipërm), duke e anuar më shumë me qëllim që sasia më e madhe e ujit të derdhet poshtë përpara se të fillojë faza e tharjes.
	Cikli i përzgjedhur nuk ka fazë tharjeje.	Ju lutem, shihni „TABELËN E PROGRAMEVE” për të parë nëse programi i përzgjedhur ka fazë tharjeje. Cikli pa fazën e tharjes mund të mos realizojë tharjen e dëshiruar, prandaj rekomandohet të ndryshoni ciklin dhe të përzgjidhni një që ka fazë tharjeje.
Pjatat përbëhen prej materiali jo-ngjitës ose plastik.	Është normale që në enët e këtij lloji materiali të mbeten ca pika ujë.	
Pjatat dhe gotat kanë vija blu ose nuanca që vijnë si blu.	Doza e shpëlarësit është e tepërt.	Uleni dozën.
Pjatat dhe gotat janë të mbuluara me çmërs ose me një cipë që vjen si e bardhë.	Depozita e kripës është bosh.	Mbusheni depozitën me kripë sa më shpejt. Përdorimi i pajisjes pa kripë mund të dëmtojë pjesët përbërëse të brendshme të saj.
	Keni përzgjedhur nivel shumë të ulët të fortësisë së ujit.	Rrisni vlerën e përzgjedhur (shihni „TABELA E FORTËSISË SË UJIT”).
	Kapaku i rezervuarit të kripës nuk është mbyllur si duhet.	Kontrolloni dhe mbyllni kapakun e depozitës së kripës.
	Depozita e shpëlarësit është bosh ose doza e shpëlarësit nuk mjafton.	Mbusheni shpërndarësin me shpëlarës dhe verifikoni vlerën e përzgjedhur të dozës (për më shumë informacione, shihni pjesën „MBUSHJA E SHPËRNDARËSIT TË SHPËLARËSIT”).
Në ekranin e pjatarësës ka dalë mesazhi F8 E5	Është bllokuar valvula ose është me defekt.	Nëse është e mundur, mbyllni rubinetin e ujit. Mos e stakoni burimin e energjisë. Merrni në telefon ekipin e shërbimit.



Politikat, dokumentacioni standard, informacionet për porositjen e pjesëve rezervë dhe të dhënat shtesë për produktin mund të gjenden:

- Duke përdorur kodin „QR” dhe duke vizituar faqen e internetit: docs.whirlpool.eu/docs
- Duke vizituar faqen e internetit: parts-selfservice.europeanappliances.com
- Ose kontaktoni **shërbimin tonë të passhitjes** (shihni numrin e telefonit në broshurën e garancisë). Kur kontaktoni me shërbimin e passhitjes, specifikoni kodet që figurojnë në pllakëzën e identifikimit të produktit.

Të dhënat për modelin mund t'i gjeni përmes kodit „QR” të raportuar në etiketën e energjisë. Etiketa përfshin gjithashtu identifikuesin e modelit që mund të përdoret për t'iu referuar portalit të regjistrimit në <https://eprel.ec.europa.eu>





HVALA ŠTO STE KUPILI PROIZVOD KOMPANIJE WHIRLPOOL.

Kako biste dobili kompletniju podršku, molimo da registrujete Vaš uređaj na: www.whirlpool.eu/register

Pre korišćenja uređaja, pažljivo pročitajte uputstva za bezbednost i instalaciju. Više informacija o proizvodu je dostupno na web sajtu: docs.whirlpool.eu/docs

Nakon instalacije, ne zaboravite da uklonite sve delove za zaštitu tokom transporta iz mašine za pranje sudova.

KONTROLNA TABLA

- Dugme za **UKLJUČI-ISKLJUČI/Resetovanje** podešavanja sa svetlosnim indikatorom
- Dugme **programa PRETHODNO**
- Dugme **programa SLEDEĆE**
- Dugme **programa OMILJENO** sa indikatorskim svetlom
- Indikatorsko svetlo za prazan rezervoar za **So**
- Indikatorsko svetlo za prazan rezervoar za **Sredstvo za Ispiranje**
- Indikatorsko svetlo **UKLANJANJE KAMENCA**
- Svetlosni indikator za **Zatvorenu Slavinu Za Vodu**
- Display
- Broj programa i indikator preostalog vremena



- Dugme **opcije Power Clean®** sa indikatorskim svetlom
- Dugme **opcije Polupuno** sa indikatorskim svetlom / **Podešavanja** – pritisak od 3 sek.
- Dugme **opcije Dodatno Sušenje** sa indikatorskim svetlom
- Dugme **opcije Odlaganje** sa indikatorskim svetlom
- Dugme **POČETAK/pauza** sa indikatorskim svetlom

PRVA UPOTREBA

MENI PODEŠAVANJA

- Uključite uređaj pritiskom na dugme **UKLJUČI/ISKLUČI**
- Zadržite dugme **Podešavanja** (Polupuno) 3 sekunde, dok se ne začuje zvučni signal i na ekranu prikaže „SET“.
- Nakon jedne sekunde se prikazuje prvo dostupno podešavanje (slovo „h“).
- Pritisnite **PRETHODNO </SLEDEĆE >** da biste se kretali kroz listu dostupnih podešavanja (vidite tabelu u nastavku), zatim pritisnite **POČETAK/Pauza** da biste videli i promenili vrednost trenutno izabranog podešavanja.
- Pritisnite **PRETHODNO </SLEDEĆE >** da biste promenili vrednost, zatim pritisnite **POČETAK/Pauza** da biste sačuvali novu vrednost i vratili se u glavni meni.
- Da biste promenili drugo podešavanje, ponovite tačke 4 i 5.
- Pritisnite **UKLJUČI/ISKLUČI** ili sačekajte 30 sekundi da biste izašli iz menija.

Fabrička postavka je „3“. Vidite „TABELA TVRDOĆE VODE“.

Tabela Tvrdoće Vode			
Nivo	°dH nemački stepeni	°fH francuski stepeni	°Clark engleski stepeni
1 (meka)	0 - 6	0 - 10	0 - 7
2 (srednja)	7 - 11	11 - 20	8 - 14
3 (prosečna)	12 - 16	21 - 29	15 - 20
4 (tvrda)	17 - 34	30 - 60	21 - 42
5 (veoma tvrda)	35 - 50	61 - 90	43 - 62

Za promenu, sledite uputstva u odeljku „MENI PODEŠAVANJA“.
Koristite samo so koja je posebno napravljena za mašine za pranje sudova. Nakon što sipate so u mašinu, svetlosni indikator za DOPUNA SOLI se isključuje.

Ako rezervoar za so nije pun, može doći do oštećenja omekšivača vode i grejača usled nagomilavanja kamenca.

Korišćenje soli se preporučuje sa bilo kojom vrstom deterdženta za mašinu za pranje sudova.

SISTEM ZA OMEKŠAVANJE VODE

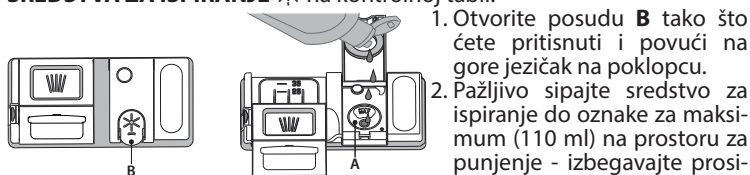
Omekšivač vode automatski smanjuje tvrdoću vode i time sprečava nakupljanje kamenca na grejaču, čime takođe doprinosi efikasnijem čišćenju. **Ovaj sistem sam sebe regeneriše pomoću soli, te je stoga obavezno da dopunite rezervoar za so kada je prazan.** Intervali vykonávania regenerácie závisia od nastavenia tvrdosti vody – regenerácia sa vykonáva raz za 4-6 Eko ciklov, ak je tvrdosť vody nastavená na 3.

Proces regeneracije se javlja na početku ciklusa sa dodatnom svežom vodom.

- Jedna regeneracija troši: ~3l vode;
- Produžava ciklus za još 5 minuta;
- Troši ispod 0,005 kWh energije

PUNJENJE POSUDA ZA SREDSTVO ZA ISPIRANJE

Sredstvo za ispiranje olakšava SUŠENJE posuđa. Posuda za sredstvo za ispiranje **A** treba da se napuni kada se upali **svetlosni indikator DOPUNA SREDSTVA ZA ISPIRANJE** na kontrolnoj tabli.



- Otvorite posudu **B** tako što ćete pritisnuti i povući na gore jezičak na poklopcu.
- Pažljivo sipajte sredstvo za ispiranje do oznake za maksimum (110 ml) na prostoru za punjenje - izbegavajte prosipanje. Ako se to dogodi, odmah obrišite prstima suvom krpom.

3. Pritisnite poklopac dok se ne začuje zvuk škljocanja.
NIKADA ne sipajte sredstvo za ispiranje direktno u kadicu.

Podešavanje doziranja sredstva za ispiranje

Ako niste u potpunosti zadovoljni rezultatima sušenja, možete da podesite količinu sredstva za ispiranje koja se koristi.

Za promenu, sledite uputstva u odeljku „MENI PODEŠAVANJA“.

Ako je nivo sredstva za ispiranje podešen na NULA, sredstvo za ispiranje se neće koristiti. Svetlosni **indikator NIZAK NIVO SREDSTVA ZA ISPIRANJE** neće svetleti ako nestane sredstva za ispiranje.

Mogu se podesiti maksimalno 6 nivoa u zavisnosti od modela mašine za pranje sudova.

- Ako vidite plavičaste tragove na posuđu, podesite nizak broj (0-3).
- Ako na posuđu ima kapljica vode ili tragova kamenca, podesite visok broj (4-5).

SLOVO	PODEŠAVANJE	VREDNOSTI (Podrazumevano – podebljano)
	Nivo Tvrdoće Vode (see "PODEŠAVANJE TVRDOĆE VODE" and "TABELA TVRDOĆE VODE")	1 2 3 4 5
	Nivo Sredstva za Ispiranje (see "PODEŠAVANJE DOZIRANJA SREDSTVA ZA ISPIRANJE")	0 1 2 3 4 5
	NaturalDry (see "OPCIJE I FUNKCIJE") "1" = Uključeno, "0" = Isključeno	1 0
	Zvuk "1" = Uključeno, "0" = Isključeno	1 0
	Fabrička Podešavanja Pritisnite Početak/pauza da biste sve vrednosti podešavanja uključena u meni podešavanja vratili na fabrička podešavanja.	-

PUNJENJE REZERVOARA ZA SO

Upotreba soli sprečava stvaranje KAMENCA na posuđu i na funkcionalnim komponentama mašine.

Rezervoar za so se nalazi u donjem delu mašine za pranje sudova (ispod donje korpe sa leve strane).

- Obavezno je **da rezervoar za so nikada ne bude prazan.**
- Važno je podesiti tvrdoću vode.
- So se mora dopuniti kada **indikatorsko svetlo DOPUNA SOLI** na kontrolnoj tabli svetli.



- Uklonite donju korpu i odvrnite poklopac rezervoara (u smeru suprotnom od smera kretanja kazaljki na satu).
- Postavite levak (vidite sliku) i napunite rezervoar za so do ivice (oko 0,5 kg); nije neuobičajeno da malo vode iscuri.
- Samo prvi put kada ovo radite: napunite rezervoar za so vodom.**

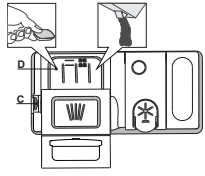
4. Uklonite levak i obrišite ostatke soli sa otvora. Vodite računa da poklopac bude čvrsto zavijen, tako da deterdžent ne može da uđe u posudu tokom programa pranja (to može da ošteti omekšivač za vodu tako da se ne može popraviti).

Pokrenite program svaki put čim završite dopunu rezervoara za so da bi se izbegla korozija.

Podešavanje Tvrdoće Vode

Da bi omekšivač za vodu radio kako treba, neophodno je da tvrdoća vode bude podešena na osnovu stvarne tvrdoće vode u vašoj kući. Ove informacije možete dobiti od lokalnog snabdevača vodom.

PUNJENJE POSUDE ZA DETERDŽENT



Za otvaranje posude za deterdžent koristite uređaj za otvaranje C. Deterdžent sipajte samo u suhu posudu D. Deterdžent za prepranje sipajte direktno u kadicu.

1. Za odmeravanje deterdženta pogledajte prethodno pomenute informacije kako biste sipali odgovarajuću količinu. U posudi D nalaze se oznake koje vam mogu pomoći u doziranju deterdženta.

2. Uklonite ostatke deterdženta sa ivica posuda pre nego što i zatvorite poklopac dok se ne začuje zvuk škljocanja.

3. Zatvorite poklopac posude za deterdžent povlačenjem na gore dok uređaj za zatvaranje ne bude čvrsto na mestu.

Posuda za deterdžent se automatski otvara u odgovarajućem trenutku u skladu sa programom.

Korišćenje deterdžente koji nije namenjen za mašine za pranje sudova može da izazove kvar ili oštećenje uređaja.

SVAKODNEVNA UPOTREBA

1. PROVERITE PRIKLJUČAK NA VODOVODNU MREŽU

Proverite da li je mašina za pranje sudova povezana na dovod vode i da je slavina otvorena.

2. UKLJUČITE MAŠINU ZA PRANJE SUDOVA

Otvorite vrata i pritisnite dugme **UKLJUČI/ISKLJUČI**

3. NAPUNITE KORPE (vidite PUNJENJE KORPI).

4. PUNJENJE POSUDE ZA DETERDŽENT

5. IZABERITE PROGRAM I PRILAGODITE CIKLUS

Izaberite najprikladniji program u skladu sa vrstom posuđa i nivoom zaprljanosti (vidite OPIS PROGRAMA) pritiskom na dugme za izabrani **PRETHODNO/SLEDEĆE**. Izaberite željene opcije (vidite OPCIJE I FUNKCIJE). Nisu sve opcije kompatibilne sa svim programima.

6. POČETAK

Započnite ciklus pranja pritiskom na dugme **POČETAK/Pauza** (led svetlo je uključeno) i zatvaranjem vrata u roku od 4 sekunde. Kada program počne, začujete jedan zvučni signal. Ukoliko se vrata ne zatvore u roku od 4 sekunde, oglašava se alarm. U tom slučaju, otvorite vrata, pritisnite dugme **POČETAK/Pauza** i ponovo zatvorite vrata u roku od 4 s.

7. ZAVRŠETAK CIKLUSA PRANJA

Završetak ciklusa pranja je označen zvučnim signalom i na ekranu se prikazuje **END** (Kraj). Otvorite vrata i isključite uređaj pritiskom na dugme **UKLJUČI/ISKLJUČI**.

Sačekajte nekoliko minuta pre nego što izvadite posuđe – da biste izbegli opekotine. Ispraznite korpe, počevši sa donjom.

IZMENA PROGRAMA KOJI JE U TOKU

Ako je pogrešan program izabran, moguće je promeniti ga, pod uslovom da je tek počeo. **RESETOVANJE** mašine: pritisnite i zadržite dugme **UKLJUČI/ISKLJUČI** duže od 3 s i mašina će se isključiti. **Komandna tabla će prikazati „0:01“**. Zatvorite vrata i sačekajte da se završi ciklus odvoda (oko 1 minut). Ponovo uključite mašinu pomoću dugmeta **UKLJUČI/ISKLJUČI** izaberite novi ciklus pranja i željene opcije. Započnite ciklus pritiskom na dugme **POČETAK/Pauza** i zatvaranjem vrata u roku od 4 s.

DODAVANJE DODATNOG POSUĐA

Bez isključivanja mašine, prvo malo otvorite vrata da biste izbegli prskanje vode ka spolja (led lampica za **POČETAK/Pauza** počinje da treperi) (**Oprez! Vrela para!**) i stavite posuđe u mašinu za pranje sudova. Pritisnite dugme **POČETAK/Pauza** i zatvorite vrata u roku od 4 sekunde, ciklus će se nastaviti od trenutka u kom je zaustavljen.

SLUČAJNI PREKIDI

Ako su vrata otvorena tokom ciklusa pranja, ili ako dođe do prekida električne energije, ciklus se zaustavlja. **SAMO AKO PRITISNETE** dugme **POČETAK/Pauza** i zatvorite vrata u roku od 4 sekunde, ciklus će se nastaviti od trenutka u kom je zaustavljen.

SAVETI I PREDLOZI

SAVETI

Pre nego što napunite korpe, uklonite sve ostatke hrane sa posuđa i ispraznite čaše. **Nije potrebno da prethodno ispirate vodom.**

Posuđe postavite tako da stoji čvrsto na mestu i da ne sklizne; posude postavite sa otvorima okrenutim na dole, a udubljene/ispupčene delove postavite koso, kako bi voda mogla da dopre do svih površina i da slobodno teče.

Upozorenje: poklopci, ručice, poslužavnici i tiganji ne sprečavaju rotiranje prskalice.

Svo malo posuđe stavite u korpu za pribor.

Veoma zaprljano posuđe i šerpe bi trebalo da stavite u donju korpu, jer su prskalice u ovom delu jače i pružaju bolje performanse pranja.

Nakon što napunite uređaj, vodite računa da prskalice mogu slobodno da se rotiraju.

NEODGOVARAJUĆE POSUĐE

- Drveno posuđe i pribor.
 - Osetljive ukrašene čaše, umetničke ruktvorine i antičko posuđe. Dekoracija na njima nije otporna.
 - Delovi od sintetičkog materijala ne podnose visoke temperature.
 - Posuđe od bakra i kalaja.
 - Posuđe zaprljano pepelom, voskom, mašću za podmazivanje ili mastilom.
- Boja dekoracije na staklu i komadima od aluminijuma/srebra može da se promeni i izbledi tokom procesa pranja. Neke vrste stakla (npr. kristalni predmeti) takođe mogu da se zamute nakon određenog broja ciklusa pranja.

OŠTEĆENJE ČAŠA I POSUĐA

- Koristite samo čaše i porculansko posuđe za koje proizvođač garantuje da je bezbedno za mašinsko pranje.
- Koristite blag deterdžent za posuđe
- Sakupite čaše i posuđe iz mašine za pranje sudova čim se ciklus pranja završi.

SAVETI ZA UŠTEDU ENERGIJE

- Kada se mašina za pranje sudova za domaćinstvo koristi u skladu sa uputstvima proizvođača, **pranje posuđa u mašini za pranje sudova uglavnom troši MANJE ENERGIJE i vode od ručnog pranja.**
- Da biste povećali efikasnost mašine za pranje sudova, **preporučuje se da ciklus pranja pokrenete kada se mašina za sudove u potpunosti napuni.** Punjenje mašine za pranje sudova za domaćinstvo do kapaciteta koji je naveo proizvođač će doprineti uštedi energije i vode. Informacije o pravilnom slaganju posuđa možete pronaći u poglavlju PUNJENJE KORPI. U slučaju delimične napunjenosti, preporučuje se da koristite odgovarajuće opcije za pranje, ako postoje (Half load/Zone Wash/Multizone (Polupuno/zonsko pranje/više zona)), popunjavajući samo izabrane korpe. Nepravilno punjenje ili prepunjavanje mašine za pranje sudova može da poveća potrošnju resursa (poput vode, energije i vremena, kao i da poveća nivo buke), smanjujući performanse čišćenja i sušenja.
- Ručno predispiranje komada posuđa dovodi do povećane potrošnje vode i energije i nije preporučljivo.

HIGIJENA

Da bi se izbeglo stvaranje neprijatnih mirisa i naslaga u mašini za pranje sudova, **program sa visokom temperaturom pokrenite najmanje jednom mesečno.** Koristite jednu kafenu kašičicu deterdženta i pokrenite program bez postavljanja posuđa kako biste očistili uređaj.

OTPORNOST NA SMRZAVANJE

Ukoliko je uređaj postavljen na mesto izloženo riziku od smrzavanja, **obavezno ga treba potpuno osušiti.** Zatvorite slavinu za vodu, skinite dovodno i odvodno crevo i ispustite vodu iz uređaja. **Proverite da li je omekšivač vode pun rastvorene soli za regeneraciju u posudi za so,** da biste zaštitili uređaj od temperatura do -20 °C. Ako je uređaj čuvan na mrazu, pre prvog pokretanja najpre mora da odstoji na ambijentalnoj temperaturi od najmanje 5 °C tokom **barem 24 sata.**

TABELA SA PROGRAMIMA

Program	Opis programa	Faza sušenja	NaturalDry	Dostupne opcije *)	Trajanje programa za pranje (h:min ^{**)}	Potrošnja vode (litri/ciklus)	Potrošnja energije (kWh/ciklus)
P1 Eco	Eko 50° - Program je podesan za pranje umereno zaprljanog posuđa, i u tu svrhu je ovo najefikasniji program u pogledu kombinovane potrošnje energije i vode i da se koristi za procenu usklađenosti sa propisima EU za ekološki dizajn.	✓	✓		3:30	9,5	0,76
P2	Automatski Intenzivan 65° - Automatski program za jako zaprljano posuđe.	✓	✓		2:25-3:10	15,5-24,5	1,30-1,70
P3	Automatski Mešovito 55° - Automatski program za umereno zaprljano posuđe sa sasušanim ostacima hrane.	✓	✓		1:20-3:00	7,5-19,5	0,75-1,20
P4	Automatski Brzo 50° - Automatski program za umereno i blago zaprljano posuđe. Ciklus za svakodnevnu upotrebu, koji obezbeđuje optimalne performanse čišćenja i sušenja za kraće vreme.	✓	✓		1:00-1:50	7,5-15,5	0,70-1,10
P5	Brzo 45° - Program se preporučuje za pranje ograničene količine blago zaprljanog posuđa bez sasušanih ostataka hrane. Ne uključuje fazu sušenja.	-	✓		0:30-0:40	10,0-12,0	0,55-0,65
P6	Kristal 45° - Program za osetljivo posuđe, koje je osetljivije na visoke temperature, na primer čaše i šolje.	✓	✓		1:40-1:50	12,5-16,5	0,95-1,20
P7	Tiho 55° - Pogodno za korišćenje uređaja tokom noći. Obezbeđuje optimalne performanse čišćenja i sušenja sa najnižom emisijom buke.	✓	✓		3:50-4:10	10,5-14,5	0,80-1,15
P8	Sanitarna 65° - Normalno ili jako zaprljano posuđe, sa dodatnim antibakterijskim pranjem. Može se koristiti za obavljanje održavanja mašine za pranje posuđa.	✓	-		1:55-2:10	12,0-19,0	1,40-1,80
P9	Pretrpanje - Koristi se za osvežavanje keramičkog posuđa koje će se kasnije oprati. Za ovaj program se ne koristi deterdžent.	-	✓		0:12	4,5	0,10
P10	Samочиšćenje 65° - Program koji se koristi za održavanje mašine za pranje posuđa, obavljati samo kada je mašina za pranje sudova PRAZNA uz korišćenje posebnih deterdženata predviđenih za održavanje mašina za pranje sudova.	-	-		1:15	11,0	1,10

Podaci programa EKO su mereni u laboratorijskim uslovima u skladu sa evropskim standardom EN 60436:2020.

Napomena za laboratorije za testiranje: za informacije na uslove komparativnog ispitivanja EN, pogledajte adresu: dw_test_support@whirlpool.com

Prethodno tretiranje posuđa nije potrebno ni za jedan program.

*) Ne mogu se sve opcije koristiti istovremeno.

**) Vrednosti koje su date za programe koji nisu Eko program su samo pokazne. Stvarno vreme može da varira u zavisnosti od mnogih faktora kao što su temperatura, količina deterdženta, količina i vrsta posuđa, balansiranje posuđa, dodatne izabrane opcije i kalibracija senzora. Kalibracija senzora može da poveća trajanje programa do 20 min.

OPCIJE I FUNKCIJE

Nakon odabira programa, moguće je izabrati/poništiti izbor za OPCIJE, direktno pritiskom na odgovarajuće dugme (ako je dostupan - indikator će se upaliti) (vidite KONTROLNA TABLA). Ako opcija ne odgovara izabranom programu (videti TABELA SA PROGRAMIMA), odgovarajuće LED svetlo će brzo da zatreperi 3 puta i oglosiće se zvučni signal. Opcija neće biti omogućena. Opcija može da promeni trajanje ili potrošnju vode ili energije za program.

POWER CLEAN® - Zahvaljujući dodatnoj snazi mlazova, ova opcija omogućava intenzivnije i jače pranje u donjoj korpi, u posebnoj oblasti. Ova opcija se preporučuje za pranje šerpi i posuda za pečenje (pogledajte odeljak za punjenje Power Clean®).

POLUPUNO - Ako nema puno posuđa za pranje, koristi se program POLUPUNO radi uštede vode, struje ili vremena u zavisnosti od izabranog programa.

Ne zaboravite da smanjite količinu deterdženta.

DODATNO SUŠENJE - Viša temperatura tokom završnog ispiranja i produžena faza ispiranja omogućava bolje sušenje. Opcija DODATNO SUŠENJE rezultira produženim ciklusom pranja.

ODLAGANJE - Početak programa se može odložiti za vremenski period između 30 minuta i 24 sata.

1. Izaberite program i bilo koju željenu opciju. Pritisnite dugme ODLAGANJE (nekoliko puta) da biste odložili početak programa. Početak možete da odložite za 30 minuta do 24 časa. Kada se dostigne podešavanje od 24 sata, još jednom pritisnite ODLAGANJE da biste deaktivirali funkciju ODLAGANJE.
2. Pritisnite dugme Početak/Pauza i zatvorite vrata u roku od 4 sekunde. Tajmer će početi sa odbrojanjem.
3. Kada ovo vreme istekne, svetlosni indikator se isključuje i program automatski počinje.

Funkcija ODLAGANJE se ne može podesiti kada program počne.

OMILJENO - OMILJENO program se može sačuvati i može mu se lako pristupiti. Pronađite program pomoću **PRETHODNO/SLEDEĆE**, a zatim pritisnite dugme programa OMILJENO na 3 sekunde.

ZATVORENU SLAVINU ZA VODU - Alarm - Treperi, kada nema dovoda vode ili kada je slavina zatvorena.

NaturalDry - To je sistem konvektionog sušenja koji automatski otvara vrata tokom/nakon faze sušenja kako bi se svakodnevno obezbedile izuzetne performanse sušenja. Vrata se otvaraju na temperaturi koja je bezbedna za vaš kuhinjski nameštaj.

Radi dodatne zaštite od pare, mašini za pranje sudova je dodata posebno dizajnirana zaštitna folija.

Da biste videli kako da instalirate zaštitnu foliju, pogledajte UPUTSTVO ZA INSTALACIJU. Ova funkcija je podrazumevano aktivna, ali može da se deaktivira u „MENI PODEŠAVANJA“.

UKLANJANJE KAMENCA - Alarm - Nakupljanje kamenca je otkriveno na unutrašnjim komponentama uređaja. Proverite da li je podešavanje tvrdoće vode na pravilnoj vrednosti i **da li ima soli u posudi za so** (vidite PRVA UPOTREBA), zatim **koristite proizvod za uklanjanje kamenca** (preporučuje se brend WPro) sa **programom Samочиšćenje**. Nakon uspešnog uklanjanja kamenca, ikona prestaje da se prikazuje.

Ako se gorenavedene radnje ne obave, performanse uređaja će biti narušene. Upozorenje UKLANJANJE KAMENCA će početi da treperi i alarm «dES» će se prikazati na ekranu. Ako još uvek nije preduzeta nijedna mera, uređaj će omogućiti pokretanje samo određenog broja ciklusa (naznačeno tokom prikazivanja alarma «dES»), a zatim će se **ZAKLJUČATI** da bi se sprečilo oštećenje komponenti, **uz dostupan samo program Samочиšćenje**. Obavljanje kompletnog uklanjanja kamenca će odblokirati proizvod. U slučaju ekstremno velike količine kamenca, može biti potrebno da se uklanjanje kamenca obavi dva puta da bi bilo efikasno.

PROCENA - Kada senzor detektuje nivo zaprljanosti, na ekranu se prikazuje animacija (oko 20 min.), a trajanje ciklusa se ažurira. Procena služi za nivo zaprljanosti posuđa i postoji za sve cikluse (izuzev za Eko) podešavajući program u skladu s tim.

PUNJENJE KORPI

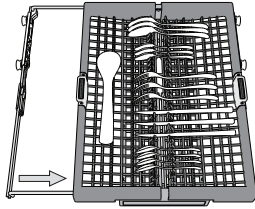
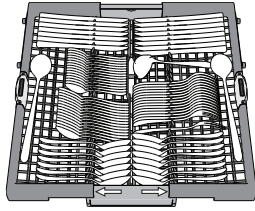
KAPACITET: 15 standardnih kompleta posuđa

POLICA ZA PRIBOR ZA JELO

Treća korpa je namenjena za postavljanje pribora. Pribor postavite kao što je prikazano na slici. Odvajanje pribora prilikom postavljanja čini skupljanje nakon pranja lakšim i poboljšava performanse pranja i sušenja.

Noževi i drugi pribor sa oštrim ivicama se mora postaviti sa oštricama okrenutim na dole.

Korpa za pribor ima dve klizne bočne fiokke kako bi se maksimalno iskoristila visina prostora koji se nalazi ispod i omogućilo postavljanje visokih predmeta u gornju korpu.

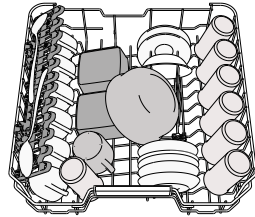


GORNJA KORPA

Stavite osetljivo i lako posuđe: čaše, šolje, tacne, plitke posude za salatu.

Gornja korpa ima držače koji se podižu i mogu se koristiti u vertikalnom položaju prilikom postavljanja tacni za čaj/dezert ili u nižem položaju prilikom postavljanja činija i posuda za hranu.

(primer punjenja gornje korpe)



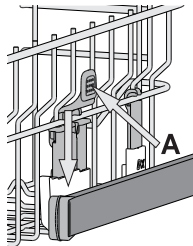
Podešavanje visine gornje korpe

Visina gornje korpe se može podesiti: visoki položaj za postavljanje velikog posuđa u donju korpu i nizak položaj za maksimalno korišćenje držača koji se pomeraju, tako što se stvara više prostora na gore i izbegava sudaranje sa sudovima iz donje korpe.

Gornja korpa ima **Podešivač visine gornje korpe** (vidite sliku), bez pritiskanja ručica, jednostavno podignite držači korpu sa strane, čim se korpa stabilno namesti u viši položaj.

Da biste vratili na niži položaj, pritisnite ručice **A** koje se nalaze na stranama korpe i pomerite korpu na dole. **Preporučujemo da ne podešavate visinu korpe kada je napunjena.**

NIKADA ne podižite niti spuštajte samo jednu stranu korpe.



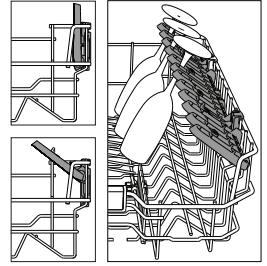
Sklopiva krilca sa podesivim položajem

Sklopiva krilca možete da sklopite ili rasklopite i tako pronađete najbolji raspored posuđa na rešetki.

Čaše za vino se bezbedno mogu staviti u sklopiva krilca tako što se stopa svake čaše stavi u odgovarajući otvor.

Zavisno od modela:

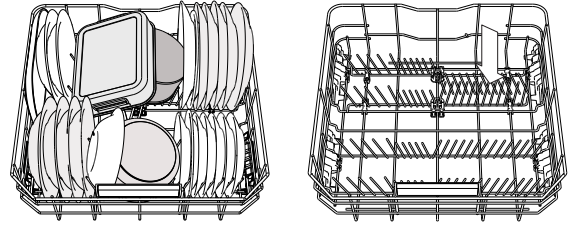
- da biste rasklopili krilca, treba da ih gurnete nagore i okrenete ili da ih odvojite od držača i spustite nadole.
- da biste sklopili krilca, treba da ih okrenete i gurnete nadole ili nagore, pa ih zakačite za držače.



DONJA KORPA

Za šerpe, poklopce, tanjire, posude za salatu, pribor itd. Velike tanjire i poklopce treba stavljati sa strane, kako bi se izbeglo dodirivanje prskalice.

Donja korpa ima držače koji se podižu i mogu se koristiti u vertikalnom položaju prilikom postavljanja tanjira ili u horizontalnom položaju (nižem) za lako postavljanje šerpi i posuda za salatu.



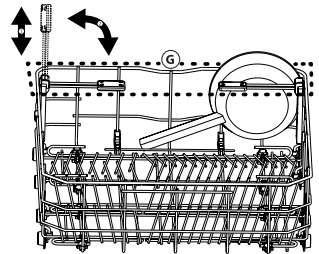
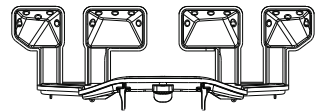
(primer punjenja donje korpe)

POWER CLEAN®

Power Clean® koristi posebne vodene mlaznice u unutrašnjem zadnjem delu za intenzivnije pranje veoma prljavih predmeta. Donja korpa ima Prostornu Zonu, poseban držač koji se može izvući i nalazi se u zadnjem delu korpe, a može se koristiti za tiganje ili plehove u uspravnom položaju, koji tako zauzimaju manje prostora. Prilikom postavljanja šerpi/posuda za pečenje okrenutim prema komponenti Power Clean® aktivirajte **POWER CLEAN®** na tabli.

Kako se koristi Power Clean®:

1. Podesite Power Clean® oblast (**G**) tako što ćete saviti zadnji držač za tanjire i postaviti šerpe.
2. Šerpe i posude za pečenje postavite tako da budu vertikalno nagnute u Power Clean® oblasti. Šerpe moraju da budu nagnute prema snažnim vodenim mlaznicama.



NEGA I ODRŽAVANJE

ČIŠĆENJE SKLOPA FILTERA

Redovno čistite sklop filtera kako se filteri ne bi zapušili i kako bi otpadna voda pravilno oticala.

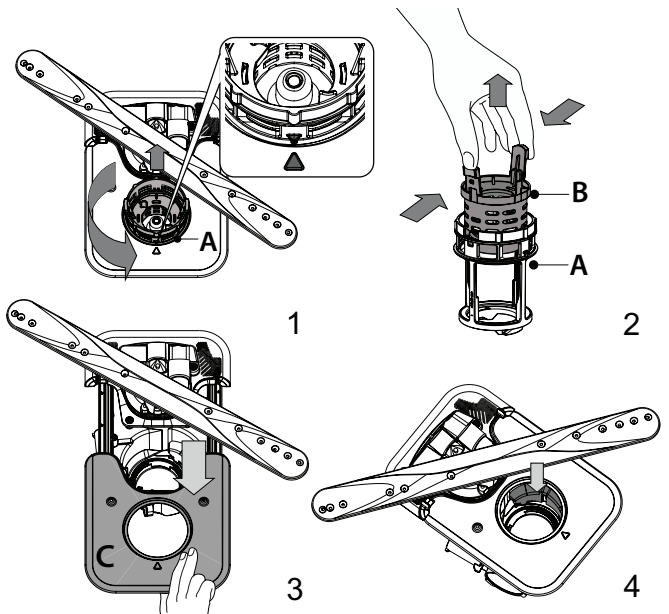
Korišćenje mašine za pranje sudova sa zapušanim filterima ili stranim predmetima unutar sistema za filtriranje ili prskalicama može dovesti do kvara uređaja i time gubitka performansi, glasnog rada ili veće potrošnje resursa. Sklop filtera se sastoji od tri filtera koji uklanjaju ostatke hrane iz vode za pranje i omogućavaju recirkulaciju vode: kako bi se postigli najbolji rezultati pranja, filtere treba održavati čistim.

Mašina za pranje sudova se ne sme koristiti bez filtera ili ako je filter labav.

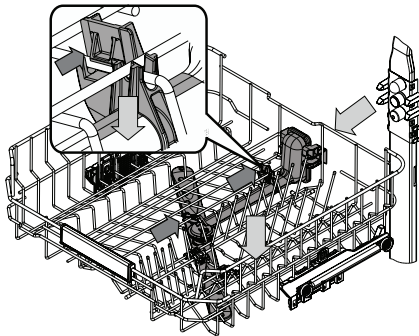
Barem jednom mesečno ili nakon svakih 30 ciklusa, proverite sklop filtera i ukoliko je potrebno detaljno ga očistite pod mlazom vode, pomoću četke koja nije metalna i sledeći uputstva navedena u nastavku:

1. Okrenite cilindrični filter **A** u smeru suprotnom od smera kretanja kazaljki na satu i izvucite ga (slika 1). **Važno je da se prilikom ponovne ugradnje filtera dva trougla prikazana na uvećanju dodiruju.**
2. Uklonite kupasti filter **B** primenom blagog pritiska na bočna krilca (slika 2).
3. Izvucite pločasti filter od nerđajućeg čelika **C** (slika 3).
4. Ukoliko pronađete strane predmete (kao što je slomljeno staklo, porcelan, kosti, semenke voća itd.) pažljivo ih uklonite.
5. Proverite sklopku i uklonite sve ostatke hrane. **NIKADA NE UKLANJAJTE zaštitu pumpe za ciklus pranja (prikazano strelicom) (slika 4).**

Nakon čišćenja filtera, ponovo postavite sklop filtera i pravilno ih pričvrstite na mesto; ovo je neophodno za efikasan rad mašine za pranje sudova.

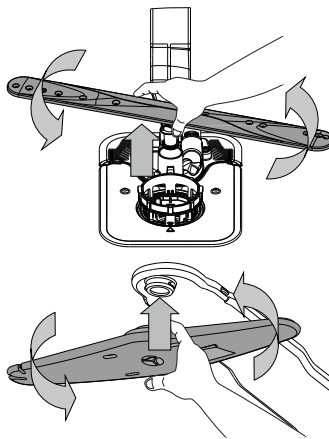


ČIŠĆENJE PRSKALICA



Povremeno, ostaci hrane mogu da se skore na prskalicama i tako blokiraju otvore za prskanje vode. Stoga se preporučuje da povremeno proveravate prskalice i čistite ih malom četkom koja nije od metala.

Da biste uklonili gornju prskalicu, morate da je uklonite zajedno sa razvodnom cevi.



Donju prskalicu možete ukloniti tako što ćete je povući nagore i okrenuti je u suprotnom smeru od kretanja kazaljki na satu. Ponovo postavite prskalicu tako što ćete je povući nadole i okrenuti u smeru kretanja kazaljki na satu.

Gornju prskalicu možete ukloniti tako što ćete je pritisnuti nagore, a zatim je okrenuti u suprotnom smeru od kretanja kazaljki na satu. Ponovo postavite prskalicu tako što ćete je povući nagore i okrenuti u smeru kretanja kazaljki na satu.

OTKLANJANJE PROBLEMA

Ukoliko vaša mašina za pranje sudova ne radi pravilno, proverite da li je moguće rešiti problem pomoću sledeće liste. Za ostale greške ili probleme obratite se ovlašćenom postprodajnom servisu čije detalje za kontakt možete pronaći u garantnoj knjižici. Rezervni delovi su dostupni u periodu od 7 do 10 godina, u skladu sa posebnim zahtevima odredbe.

PROBLEMI	MOGUĆI UZROCI	REŠENJA
Indikator za so svetli	Rezervoar za so je skoro prazan.	Dopunite rezervoar solju (više PUNJENJE REZERVOARA ZA SO). Proverite podešavanje tvrdoće vode, po potrebi – vidite TABELA TVRDOĆE VODE.
Indikator za so treperi	Rezervoar za so je prazan.	Napunite rezervoar za so što pre možete. Korišćenje uređaja bez soli može da izazove oštećenje njegovih unutrašnjih komponenti.
Indikator sredstva za ispiranje svetli ili treperi	Posuda sredstva za ispiranje je prazna. (Nakon dopune, indikator sredstva za ispiranje može da ostane uključen još kratko vreme).	Dopunite posudu sredstvom za ispiranje (za više informacija – vidite PUNJENJE POSUDA ZA SREDSTVO ZA ISPIRANJE).
Indikator za uklanjanje kamenca svetli ili treperi; Prikazuje se alarm „dES“.	Kamenac se nakuplja na unutrašnjim komponentama uređaja.	Odmah uklonite kamenac sa uređaja korišćenjem programa Samočišćenje i komercijalno dostupnih proizvoda za uklanjanje kamenca (vidite OPCIJE I FUNKCIJE). Dopunite rezervoar solju. Proverite podešavanje tvrdoće vode. Ako sa uređaja nije uklonjen kamenac, on će prestati da funkcioniše.
Mašina za pranje sudova neće da se pokrene ili ne reaguje na komande.	Uređaj nije pravilno uključen u strujno napajanje.	Umetnite utikač u utičnicu.
	Nema električne energije.	Iz bezbednosnih razloga, mašina za pranje posuđa se neće automatski ponovo pokrenuti kada se vrati napajanje. Otvorite vrata mašine za pranje sudova, pritisnite dugme Početak/Pauza i zatvorite vrata u roku od 4 sekunde.
	Vrata mašine za pranje sudova nisu zatvorena. NaturalDry pin nije uvučen.	Snažno gurnite vrata dok se ne začuje zvuk „klikanja“.
	Ciklus se prekida otvaranjem vrata na duže od 4 sekunde.	Pritisnite dugme Početak/Pauza i zatvorite vrata u roku od 4 sekunde.
Voda ne otiče iz mašine za pranje sudova. Na displeju se prikazuje: F7 E3 ili F9 E1	Filter je začepljen ostacima hrane ili kamencem.	Očistite filter i uklonite kamenac sa uređaja (vidite ČIŠĆENJE SKLOPA FILTERA i UPUTSTVO ZA UKLANJANJE KAMENCA).
	Crevo za odvod je presavijeno.	Proverite crevo za odvod (vidite UPUTSTVO ZA UGRADNJU).
	Odvodna cev sudopere je blokirana.	Očistite odvodnu cev sudopere.
Mašina za pranje sudova proizvodi neuobičajenu buku.	Posuđe udara jedno o drugo.	Pravilno postavite posuđe (vidite PUNJENJE KORPI).
	Pojavila se prevelika količina pene.	Deterdžent nije pravilno odmeren ili nije pogodan za korišćenje u mašini za pranje sudova (vidite PUNJENJE POSUDE ZA DETERDŽENT). Ponovo pokrenite trenutni ciklus tako što ćete ISKLJUČITI mašinu za pranje posuđa, a zatim je ponovo uključiti, odaberi novi program, pritisnuti dugme Početak/Pauza i zatvoriti vrata u roku od 4 sekunde. Ne dodajte deterdžent.
	Posuđe nije pravilno postavljeno.	Pravilno poredajte posuđe (vidite PUNJENJE KORPI).
Posuđe nije čisto.	Filter je začepljen ostacima hrane ili kamencem.	Očistite sklop filtera (vidite NEGA I ODRŽAVANJE).
	Posuđe nije pravilno postavljeno.	Pravilno poredajte posuđe (vidite PUNJENJE KORPI).
	Prskalice ne mogu slobodno da se okreću, jer ih zaustavlja posuđe.	Pravilno poredajte posuđe (vidite PUNJENJE KORPI). Proverite da li je gornja polica u pravilnom položaju i podesite je (podignite) po potrebi.
	Ciklus pranja je previše blag.	Izaberite odgovarajući ciklus pranja (vidite TABELU SA PROGRAMIMA).
	Pojavila se prevelika količina pene.	Deterdžent nije pravilno odmeren ili nije pogodan za korišćenje u mašini za pranje sudova (vidite PUNJENJE POSUDE ZA DETERDŽENT).
	Poklopac na odeljku za sredstvo za ispiranje nije pravilno zatvoren.	Vodite računa da poklopac rezervoara za sredstvo za ispiranje bude zatvoren.
Mašina za pranje sudova ne prima vodu. Na ekranu se prikazuje: H20 i svetli ; zvučni alarm se oglašava.	Filter je začepljen ostacima hrane ili kamencem.	Očistite filter i uklonite kamenac sa uređaja (vidite ČIŠĆENJE SKLOPA FILTERA).
	Rezervoar za so je prazan.	Napunite rezervoar za so (vidite PUNJENJE REZERVOARA ZA SO).
	Nema vode u sistemu za dovod vode ili je slavina zatvorena.	Vodite računa da ima vode u sistemu za dovod vode ili da je slavina otvorena.
Mašina za pranje sudova ne prima vodu. Na ekranu se prikazuje: H20 i svetli ; zvučni alarm se oglašava.	Crevo za dovod vode je presavijeno.	Proverite crevo za dovod (vidite POSTAVLJANJE). Otvorite vrata mašine za pranje sudova, pritisnite dugme Početak/Pauza i zatvorite vrata u roku od 4 sekunde.
	Sito u crevu za dovod vode je zapušeno; potrebno je očistiti ga.	Proverite i očistite sito u crevu za dovod vode. Otvorite vrata mašine za pranje sudova, pritisnite dugme Početak/Pauza i zatvorite vrata u roku od 4 sekunde.

PROBLEMI	MOGUĆI UZROCI	REŠENJA
Mašina za pranje posuđa prerano završava ciklus. Na ekranu se prikazuje: F8 E3 .	Filter je začepljen ostacima hrane ili kamencom.	Očistite filter i uklonite kamenac sa uređaja (<i>vidite ČIŠĆENJE SKLOPA FILTERA i UPUTSTVO ZA UKLANJANJE KAMENCA</i>).
	Crevo za odvod je postavljeno prenisko ili odvod sifona ide u sistem kućne kanalizacije.	Proverite da li je kraj creva za odvod postavljen na pravilnu visinu (<i>vidite POSTAVLJANJE</i>). Proverite da li ima oticanja u kućni kanalizacioni sistem, postavite sprečavač povratnog toka/ventil za odvod vazduha ako postoji.
	Pojavila se prevelika količina pene.	Deterđent nije pravilno odmeren ili nije pogodan za korišćenje u mašini za pranje sudova (<i>vidite PUNJENJE POSUDE ZA DETERDŽENT</i>).
	Vazduh u dovodu vode.	Proverite da li u dovodu vode ima curenja ili drugih problema koji dopuštaju ulaz vazduha.
Posuđe nije dobro osušeno.	Nema sredstva za ispiranje ili je doza previše mala.	Vodite računa da rezervoar za sredstvo za ispiranje bude napunjen (<i>vidite PUNJENJE POSUDA ZA SREDSTVO ZA ISPIRANJE</i>). Samo višenamenske tableta neće dati tako dobre rezultate sušenja kao upotreba tečnog sredstva za ispiranje.
	Posuđe je izvađeno nakon što su se vrata automatski otvorila, ali pre stvarnog završetka ciklusa.	Pre nego što počnete da vadite posuđe, uverite se da je ciklus završen (<i>vidite SVAKODNEVNA UPOTREBA</i>). Za još bolje rezultate sušenja, preporučuje se da posuđe ostavite u mašini za pranje sudova sa otvorenim vratima još dodatnih 15 minuta nakon indikacije kraja ciklusa.
	Posuđe je postavljeno previše ravno.	Ako primetite nakupljenu vodu u šupljinama šolja za kafu ili čaj ili u posudama, pokušajte da postavite sudove (posebno u gornjoj korpi) pod većim nagibom kako bi iskapala veća količina vode pre početka sušenja.
	Izabrani ciklus nema fazu sušenja.	Proverite u <i>TABELI SA PROGRAMIMA</i> da li izabrani program ima fazu sušenja. Moguće da ciklus bez faze sušenja neće imati željenu efikasnost sušenja, pa se preporučuje biranje drugog ciklusa koji ima fazu sušenja.
Posuđe je napravljeno od neprijanjajućeg materijala ili plastike.	Izvestan broj preostalih kapi vode na ovom tipu materijala je normalna pojava.	
Posuđe i čaše imaju plave tragove ili plavičaste nijanse.	Doza sredstva za ispiranje je prevelika.	Podesite doziranje na nižu postavku.
Posuđe i čaše su prekrivene kamencom ili beličastim naslagama.	Rezervoar za so je prazan.	Napunite rezervoar za so što pre možete. Korišćenje uređaja bez soli može da izazove oštećenje njegovih unutrašnjih komponenti.
	Podešavanje tvrdoće vode je prenisko.	Povećajte podešavanje (<i>vidite TABELU TVRDOĆE VODE</i>).
	Poklopac rezervoara za so nije pravilno zatvoren.	Proverite i zatvorite poklopac rezervoara za so.
Rezervoar za sredstvo za ispiranje je prazan ili je doza sredstva za ispiranje nedovoljna.	Dopunite posudu sredstvom za ispiranje i proverite podešavanje doziranja (za više informacija – <i>vidite PUNJENJE POSUDA ZA SREDSTVO ZA ISPIRANJE</i>).	
Mašina za pranje posuđa prikazuje F8 E5	Ventil je blokiran ili neispravan.	Zatvorite slavinu, ako je moguće. Nemojte isključivati napajanje. Pozovite servis.

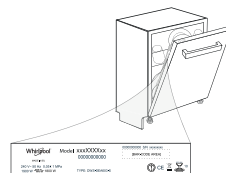


Smernice, standardna dokumentacija, poručivanje rezervnih delova i dodatne informacije o proizvodu se mogu naći putem:

- Korištenjem QR koda i posjetom našeg veb-sajta: docs.whirlpool.eu/docs
- Našeg veb-sajta: parts-selfservice.europeanappliances.com
- Takođe, možete **kontaktirati naš postprodajni servis** (broj se nalazi u garantnoj knjižici). Prilikom kontaktiranja našeg postprodajnog servisa, navedite šifru koja se nalazi na pločici za identifikaciju proizvoda.

Informacije o modelu se mogu preuzeti pomoću QR koda navedenog na energetske oznaci.

Oznaka uključuje i identifikator modela koji može da se upotrebi za proveru registracije na portalu, na adresi <https://eprel.ec.europa.eu>



400020002669B

05/2024 ks - Xerox Fabriano

